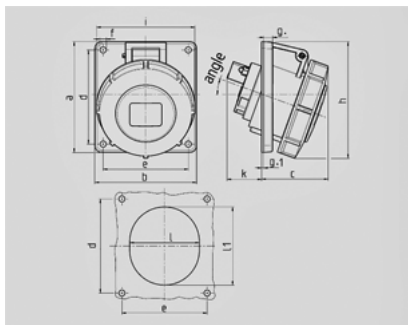


Panel mounted receptacle - Part no. 1474



- screw terminals
- 20° inclination
- 32A receptacles optional fitted with auxiliary contact

| Technical information | |
|-----------------------|-----------------|
| Ampere | 16 A |
| Poles | 3 p |
| Voltage | 110 V |
| Earth position | 4 h |
| Hertz | 50-60 Hz |
| Connection technology | Screw terminals |
| Contact | standard |
| Protection type | IP 67 |



| Drawing 1 MB 251 Dim. in mm | Amp. Poles | 16 | | | 32 | | |
|---|---------------|-----------|-----------|-----------|------------|------------|------------|
| | | 3 | 4 | 5 | 3 | 4 | 5 |
| a | | 73,5 | 100 | 100 | 100 | 100 | 100 |
| b | | 64 | 92 | 92 | 92 | 92 | 92 |
| c | | 52 | 60 | 62 | 64 | 64 | 66 |
| d | | 60 | 85 | 85 | 85 | 85 | 85 |
| e | | 52 | 77 | 77 | 77 | 77 | 77 |
| f | | 5,5 | 5,5 | 5,5 | 5,5 | 5,5 | 5,5 |
| g | | 8 | 8 | 8 | 8 | 8 | 8 |
| g.1 | | 2 | 2 | 2 | 2 | 2 | 2 |
| h | | 84 | 100 | 105 | 109 | 109 | 113 |
| i | | 78 | 85 | 96 | 103 | 103 | 110 |
| k | | 43 | 32 | 32 | 53 | 53 | 45 |
| l | | 52 | 55 | 65 | 67 | 67 | 72 |
| ll | | 60 | 63 | 72 | 82 | 82 | 85 |
| o | | 20° | 20° | 20° | 20° | 20° | 20° |
| Terminal for cond. cross section (mm²) min.-max. | | 1,5 —4 | 1,5 —4 | 1,5 —4 | 2,5 —10 | 2,5 —10 | 2,5 —10 |

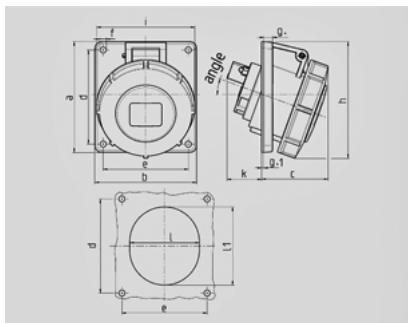
Panel mounted receptacle - Part no. 1475



- screw terminals
- 20° inclination
- 32A receptacles optional fitted with auxiliary contact

Technical information

| | |
|-----------------------|-----------------|
| Ampere | 16 A |
| Poles | 3 p |
| Voltage | 230 V |
| Earth position | 6 h |
| Hertz | 50-60 Hz |
| Connection technology | Screw terminals |
| Contact | standard |
| Protection type | IP 67 |



| Drawing 1 MB 251 Dim. in mm | Amp. Poles | 16 | | | 32 | | |
|---|---------------|------|-----|-----|-----|-----|-----|
| | | 3 | 4 | 5 | 3 | 4 | 5 |
| a | | 73,5 | 100 | 100 | 100 | 100 | 100 |
| b | | 64 | 92 | 92 | 92 | 92 | 92 |
| c | | 52 | 60 | 62 | 64 | 64 | 66 |
| d | | 60 | 85 | 85 | 85 | 85 | 85 |
| e | | 52 | 77 | 77 | 77 | 77 | 77 |
| f | | 5,5 | 5,5 | 5,5 | 5,5 | 5,5 | 5,5 |
| g | | 8 | 8 | 8 | 8 | 8 | 8 |
| g.1 | | 2 | 2 | 2 | 2 | 2 | 2 |
| h | | 84 | 100 | 105 | 109 | 109 | 113 |
| i | | 78 | 85 | 96 | 103 | 103 | 110 |
| k | | 43 | 32 | 32 | 53 | 53 | 45 |
| l | | 52 | 55 | 65 | 67 | 67 | 72 |
| ll | | 60 | 63 | 72 | 82 | 82 | 85 |
| o | | 20° | 20° | 20° | 20° | 20° | 20° |
| Terminal for cond. cross section (mm²) min.-max. | | 1,5 | 1,5 | 1,5 | 2,5 | 2,5 | 2,5 |
| | | -4 | -4 | -4 | -10 | -10 | -10 |

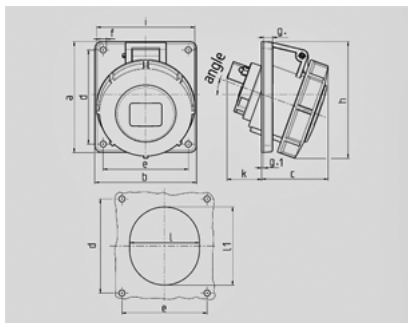
Panel mounted receptacle - Part no. 1476



- screw terminals
- 20° inclination
- 32A receptacles optional fitted with auxiliary contact

Technical information

| | |
|-----------------------|-----------------|
| Ampere | 16 A |
| Poles | 3 p |
| Voltage | 400 V |
| Earth position | 9 h |
| Hertz | 50-60 Hz |
| Connection technology | Screw terminals |
| Contact | standard |
| Protection type | IP 67 |



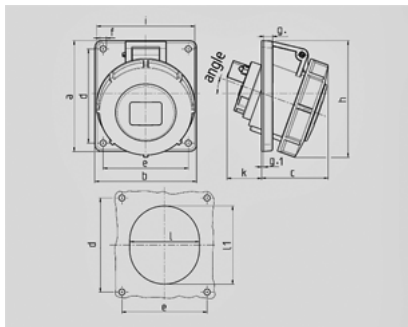
| Drawing 1 MB 251 | Amp. Poles | 16 | | | 32 | | |
|---|---------------|------|-----|-----|-----|-----|-----|
| | | 3 | 4 | 5 | 3 | 4 | 5 |
| Dim. in mm | a | 73,5 | 100 | 100 | 100 | 100 | 100 |
| | b | 64 | 92 | 92 | 92 | 92 | 92 |
| | c | 52 | 60 | 62 | 64 | 64 | 66 |
| | d | 60 | 85 | 85 | 85 | 85 | 85 |
| | e | 52 | 77 | 77 | 77 | 77 | 77 |
| | f | 5,5 | 5,5 | 5,5 | 5,5 | 5,5 | 5,5 |
| | g | 8 | 8 | 8 | 8 | 8 | 8 |
| | g.1 | 2 | 2 | 2 | 2 | 2 | 2 |
| | h | 84 | 100 | 105 | 109 | 109 | 113 |
| | i | 78 | 85 | 96 | 103 | 103 | 110 |
| | k | 43 | 32 | 32 | 53 | 53 | 45 |
| | l | 52 | 55 | 65 | 67 | 67 | 72 |
| | ll | 60 | 63 | 72 | 82 | 82 | 85 |
| | o | 20° | 20° | 20° | 20° | 20° | 20° |
| Terminal for cond. cross section (mm²) min.-max. | | 1,5 | 1,5 | 1,5 | 2,5 | 2,5 | 2,5 |
| | | -4 | -4 | -4 | -10 | -10 | -10 |

Panel mounted receptacle - Part no. 1477

- screw terminals
- 20° inclination
- 32A receptacles optional fitted with auxiliary contact

Technical information

| | |
|-----------------------|-----------------|
| Ampere | 16 A |
| Poles | 4 p |
| Voltage | 110 V |
| Earth position | 4 h |
| Hertz | 50-60 Hz |
| Connection technology | Screw terminals |
| Contact | standard |
| Protection type | IP 67 |



| Drawing 1 MB 251 | Amp. Poles | 16 | | | 32 | | |
|--|---------------|------|-----|-----|-----|-----|-----|
| | | 3 | 4 | 5 | 3 | 4 | 5 |
| Dim. in mm | a | 73,5 | 100 | 100 | 100 | 100 | 100 |
| | b | 64 | 92 | 92 | 92 | 92 | 92 |
| | c | 52 | 60 | 62 | 64 | 64 | 66 |
| | d | 60 | 85 | 85 | 85 | 85 | 85 |
| | e | 52 | 77 | 77 | 77 | 77 | 77 |
| | f | 5,5 | 5,5 | 5,5 | 5,5 | 5,5 | 5,5 |
| | g | 8 | 8 | 8 | 8 | 8 | 8 |
| | g.1 | 2 | 2 | 2 | 2 | 2 | 2 |
| | h | 84 | 100 | 105 | 109 | 109 | 113 |
| | i | 78 | 85 | 96 | 103 | 103 | 110 |
| | k | 43 | 32 | 32 | 53 | 53 | 45 |
| | l | 52 | 55 | 65 | 67 | 67 | 72 |
| | ll | 60 | 63 | 72 | 82 | 82 | 85 |
| | o | 20° | 20° | 20° | 20° | 20° | 20° |
| Terminal for cond. cross section (mm ²) min.-max. | | 1,5 | 1,5 | 1,5 | 2,5 | 2,5 | 2,5 |
| | | -4 | -4 | -4 | -10 | -10 | -10 |

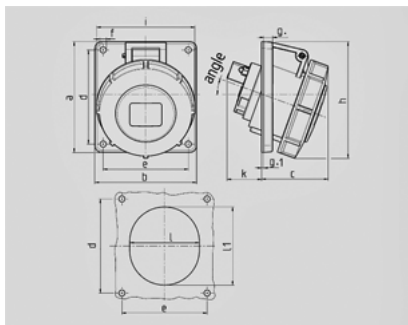
Panel mounted receptacle - Part no. 1478



- screw terminals
- 20° inclination
- 32A receptacles optional fitted with auxiliary contact

Technical information

| | |
|-----------------------|-----------------|
| Ampere | 16 A |
| Poles | 4 p |
| Voltage | 230 V |
| Earth position | 9 h |
| Hertz | 50-60 Hz |
| Connection technology | Screw terminals |
| Contact | standard |
| Protection type | IP 67 |



| Drawing 1 MB 251 | Amp. Poles | 16 | | | 32 | | |
|---|---------------|-----------|-----------|-----------|------------|------------|------------|
| | | 3 | 4 | 5 | 3 | 4 | 5 |
| Dim. in mm | a | 73,5 | 100 | 100 | 100 | 100 | 100 |
| | b | 64 | 92 | 92 | 92 | 92 | 92 |
| | c | 52 | 60 | 62 | 64 | 64 | 66 |
| | d | 60 | 85 | 85 | 85 | 85 | 85 |
| | e | 52 | 77 | 77 | 77 | 77 | 77 |
| | f | 5,5 | 5,5 | 5,5 | 5,5 | 5,5 | 5,5 |
| | g | 8 | 8 | 8 | 8 | 8 | 8 |
| | g.1 | 2 | 2 | 2 | 2 | 2 | 2 |
| | h | 84 | 100 | 105 | 109 | 109 | 113 |
| | i | 78 | 85 | 96 | 103 | 103 | 110 |
| | k | 43 | 32 | 32 | 53 | 53 | 45 |
| | l | 52 | 55 | 65 | 67 | 67 | 72 |
| | ll | 60 | 63 | 72 | 82 | 82 | 85 |
| | o | 20° | 20° | 20° | 20° | 20° | 20° |
| Terminal for cond. cross section (mm²) min.-max. | | 1,5 —4 | 1,5 —4 | 1,5 —4 | 2,5 —10 | 2,5 —10 | 2,5 —10 |

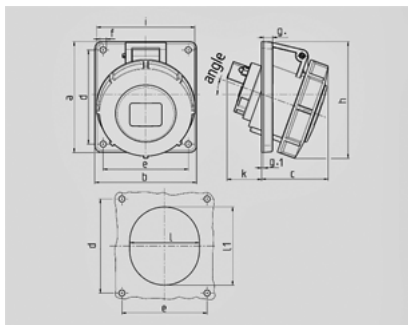
Panel mounted receptacle - Part no. 1479



- screw terminals
- 20° inclination
- 32A receptacles optional fitted with auxiliary contact

Technical information

| | |
|-----------------------|-----------------|
| Ampere | 16 A |
| Poles | 4 p |
| Voltage | 400 V |
| Earth position | 6 h |
| Hertz | 50-60 Hz |
| Connection technology | Screw terminals |
| Contact | standard |
| Protection type | IP 67 |



| Drawing 1 MB 251 | Amp. Poles | 16 | | | 32 | | |
|---|---------------|------|-----|-----|-----|-----|-----|
| | | 3 | 4 | 5 | 3 | 4 | 5 |
| Dim. in mm | a | 73,5 | 100 | 100 | 100 | 100 | 100 |
| | b | 64 | 92 | 92 | 92 | 92 | 92 |
| | c | 52 | 60 | 62 | 64 | 64 | 66 |
| | d | 60 | 85 | 85 | 85 | 85 | 85 |
| | e | 52 | 77 | 77 | 77 | 77 | 77 |
| | f | 5,5 | 5,5 | 5,5 | 5,5 | 5,5 | 5,5 |
| | g | 8 | 8 | 8 | 8 | 8 | 8 |
| | g.1 | 2 | 2 | 2 | 2 | 2 | 2 |
| | h | 84 | 100 | 105 | 109 | 109 | 113 |
| | i | 78 | 85 | 96 | 103 | 103 | 110 |
| | k | 43 | 32 | 32 | 53 | 53 | 45 |
| | l | 52 | 55 | 65 | 67 | 67 | 72 |
| | ll | 60 | 63 | 72 | 82 | 82 | 85 |
| | o | 20° | 20° | 20° | 20° | 20° | 20° |
| Terminal for cond. cross section (mm²) min.-max. | | 1,5 | 1,5 | 1,5 | 2,5 | 2,5 | 2,5 |
| | | -4 | -4 | -4 | -10 | -10 | -10 |

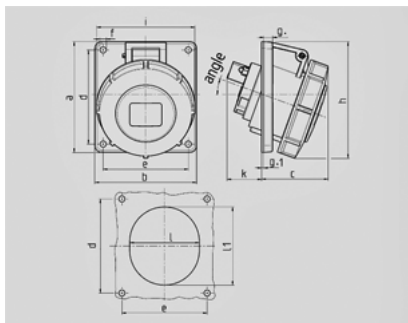
Panel mounted receptacle - Part no. 1480



- screw terminals
- 20° inclination
- 32A receptacles optional fitted with auxiliary contact

Technical information

| | |
|-----------------------|-----------------|
| Ampere | 16 A |
| Poles | 4 p |
| Voltage | 500 V |
| Earth position | 7 h |
| Hertz | 50-60 Hz |
| Connection technology | Screw terminals |
| Contact | standard |
| Protection type | IP 67 |



| Drawing 1 MB 251 | Amp. Poles | 16 | | | 32 | | |
|---|---------------|------|-----|-----|-----|-----|-----|
| | | 3 | 4 | 5 | 3 | 4 | 5 |
| Dim. in mm | a | 73,5 | 100 | 100 | 100 | 100 | 100 |
| | b | 64 | 92 | 92 | 92 | 92 | 92 |
| | c | 52 | 60 | 62 | 64 | 64 | 66 |
| | d | 60 | 85 | 85 | 85 | 85 | 85 |
| | e | 52 | 77 | 77 | 77 | 77 | 77 |
| | f | 5,5 | 5,5 | 5,5 | 5,5 | 5,5 | 5,5 |
| | g | 8 | 8 | 8 | 8 | 8 | 8 |
| | g.1 | 2 | 2 | 2 | 2 | 2 | 2 |
| | h | 84 | 100 | 105 | 109 | 109 | 113 |
| | i | 78 | 85 | 96 | 103 | 103 | 110 |
| | k | 43 | 32 | 32 | 53 | 53 | 45 |
| | l | 52 | 55 | 65 | 67 | 67 | 72 |
| | ll | 60 | 63 | 72 | 82 | 82 | 85 |
| | o | 20° | 20° | 20° | 20° | 20° | 20° |
| Terminal for cond. cross section (mm²) min.-max. | | 1,5 | 1,5 | 1,5 | 2,5 | 2,5 | 2,5 |
| | | -4 | -4 | -4 | -10 | -10 | -10 |

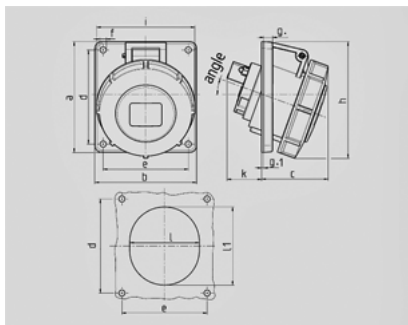
Panel mounted receptacle - Part no. 1481



- screw terminals
- 20° inclination
- 32A receptacles optional fitted with auxiliary contact

Technical information

| | |
|-----------------------|-----------------|
| Ampere | 16 A |
| Poles | 4 p |
| Voltage | >50-500 V |
| Earth position | 10 h |
| Hertz | 100-300 Hz |
| Connection technology | Screw terminals |
| Contact | standard |
| Protection type | IP 67 |



| Drawing 1 MB 251 | Amp. Poles | 16 | | | 32 | | |
|---|---------------|------|-----|-----|-----|-----|-----|
| | | 3 | 4 | 5 | 3 | 4 | 5 |
| Dim. in mm | a | 73,5 | 100 | 100 | 100 | 100 | 100 |
| | b | 64 | 92 | 92 | 92 | 92 | 92 |
| | c | 52 | 60 | 62 | 64 | 64 | 66 |
| | d | 60 | 85 | 85 | 85 | 85 | 85 |
| | e | 52 | 77 | 77 | 77 | 77 | 77 |
| | f | 5,5 | 5,5 | 5,5 | 5,5 | 5,5 | 5,5 |
| | g | 8 | 8 | 8 | 8 | 8 | 8 |
| | g.1 | 2 | 2 | 2 | 2 | 2 | 2 |
| | h | 84 | 100 | 105 | 109 | 109 | 113 |
| | i | 78 | 85 | 96 | 103 | 103 | 110 |
| | k | 43 | 32 | 32 | 53 | 53 | 45 |
| | l | 52 | 55 | 65 | 67 | 67 | 72 |
| | ll | 60 | 63 | 72 | 82 | 82 | 85 |
| | o | 20° | 20° | 20° | 20° | 20° | 20° |
| Terminal for cond. cross section (mm²) min.-max. | | 1,5 | 1,5 | 1,5 | 2,5 | 2,5 | 2,5 |
| | | -4 | -4 | -4 | -10 | -10 | -10 |

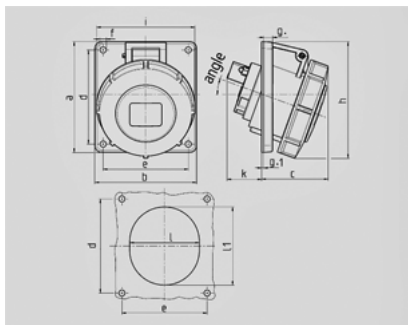
Panel mounted receptacle - Part no. 1482



- screw terminals
- 20° inclination
- 32A receptacles optional fitted with auxiliary contact

Technical information

| | |
|-----------------------|-----------------|
| Ampere | 16 A |
| Poles | 4 p |
| Voltage | >50-500 V |
| Earth position | 2 h |
| Hertz | >300-500 Hz |
| Connection technology | Screw terminals |
| Contact | standard |
| Protection type | IP 67 |



| Drawing 1 MB 251 Dim. in mm | Amp. Poles | 16 | | | 32 | | |
|---|---------------|------|-----|-----|-----|-----|-----|
| | | 3 | 4 | 5 | 3 | 4 | 5 |
| a | | 73,5 | 100 | 100 | 100 | 100 | 100 |
| b | | 64 | 92 | 92 | 92 | 92 | 92 |
| c | | 52 | 60 | 62 | 64 | 64 | 66 |
| d | | 60 | 85 | 85 | 85 | 85 | 85 |
| e | | 52 | 77 | 77 | 77 | 77 | 77 |
| f | | 5,5 | 5,5 | 5,5 | 5,5 | 5,5 | 5,5 |
| g | | 8 | 8 | 8 | 8 | 8 | 8 |
| g.1 | | 2 | 2 | 2 | 2 | 2 | 2 |
| h | | 84 | 100 | 105 | 109 | 109 | 113 |
| i | | 78 | 85 | 96 | 103 | 103 | 110 |
| k | | 43 | 32 | 32 | 53 | 53 | 45 |
| l | | 52 | 55 | 65 | 67 | 67 | 72 |
| ll | | 60 | 63 | 72 | 82 | 82 | 85 |
| o | | 20° | 20° | 20° | 20° | 20° | 20° |
| Terminal for cond. cross section (mm²) min.-max. | | 1,5 | 1,5 | 1,5 | 2,5 | 2,5 | 2,5 |
| | | -4 | -4 | -4 | -10 | -10 | -10 |

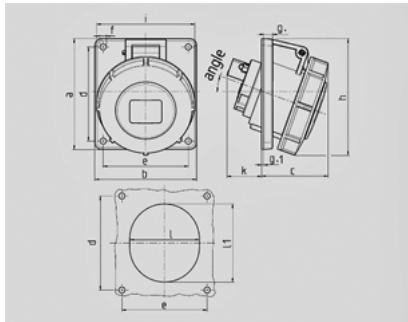
Panel mounted receptacle - Part no. 1483



- screw terminals
- 20° inclination
- 32A receptacles optional fitted with auxiliary contact

Technical information

| | |
|-----------------------|-----------------|
| Ampere | 16 A |
| Poles | 5 p |
| Voltage | 110 V |
| Earth position | 4 h |
| Hertz | 50-60 Hz |
| Connection technology | Screw terminals |
| Contact | standard |
| Protection type | IP 67 |



| Drawing 1 MB 251 | Amp. Poles | 16 | | | 32 | | |
|---|---------------|------|-----|-----|-----|-----|-----|
| | | 3 | 4 | 5 | 3 | 4 | 5 |
| Dim. in mm | a | 73,5 | 100 | 100 | 100 | 100 | 100 |
| | b | 64 | 92 | 92 | 92 | 92 | 92 |
| | c | 52 | 60 | 62 | 64 | 64 | 66 |
| | d | 60 | 85 | 85 | 85 | 85 | 85 |
| | e | 52 | 77 | 77 | 77 | 77 | 77 |
| | f | 5,5 | 5,5 | 5,5 | 5,5 | 5,5 | 5,5 |
| | g | 8 | 8 | 8 | 8 | 8 | 8 |
| | g.1 | 2 | 2 | 2 | 2 | 2 | 2 |
| | h | 84 | 100 | 105 | 109 | 109 | 113 |
| | i | 78 | 85 | 96 | 103 | 103 | 110 |
| | k | 43 | 32 | 32 | 53 | 53 | 45 |
| | l | 52 | 55 | 65 | 67 | 67 | 72 |
| | ll | 60 | 63 | 72 | 82 | 82 | 85 |
| | o | 20° | 20° | 20° | 20° | 20° | 20° |
| Terminal for cond. cross section (mm²) min.-max. | | 1,5 | 1,5 | 1,5 | 2,5 | 2,5 | 2,5 |
| | | -4 | -4 | -4 | -10 | -10 | -10 |

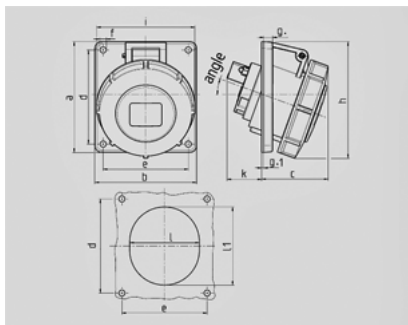
Panel mounted receptacle - Part no. 1484



- screw terminals
- 20° inclination
- 32A receptacles optional fitted with auxiliary contact

Technical information

| | |
|-----------------------|-----------------|
| Ampere | 16 A |
| Poles | 5 p |
| Voltage | 230 V |
| Earth position | 9 h |
| Hertz | 50-60 Hz |
| Connection technology | Screw terminals |
| Contact | standard |
| Protection type | IP 67 |



| Drawing 1 MB 251 | Amp. Poles | 16 | | | 32 | | |
|---|---------------|------|-----|-----|-----|-----|-----|
| | | 3 | 4 | 5 | 3 | 4 | 5 |
| Dim. in mm | a | 73,5 | 100 | 100 | 100 | 100 | 100 |
| | b | 64 | 92 | 92 | 92 | 92 | 92 |
| | c | 52 | 60 | 62 | 64 | 64 | 66 |
| | d | 60 | 85 | 85 | 85 | 85 | 85 |
| | e | 52 | 77 | 77 | 77 | 77 | 77 |
| | f | 5,5 | 5,5 | 5,5 | 5,5 | 5,5 | 5,5 |
| | g | 8 | 8 | 8 | 8 | 8 | 8 |
| | g.1 | 2 | 2 | 2 | 2 | 2 | 2 |
| | h | 84 | 100 | 105 | 109 | 109 | 113 |
| | i | 78 | 85 | 96 | 103 | 103 | 110 |
| | k | 43 | 32 | 32 | 53 | 53 | 45 |
| | l | 52 | 55 | 65 | 67 | 67 | 72 |
| | ll | 60 | 63 | 72 | 82 | 82 | 85 |
| | o | 20° | 20° | 20° | 20° | 20° | 20° |
| Terminal for cond. cross section (mm²) min.-max. | | 1,5 | 1,5 | 1,5 | 2,5 | 2,5 | 2,5 |
| | | -4 | -4 | -4 | -10 | -10 | -10 |

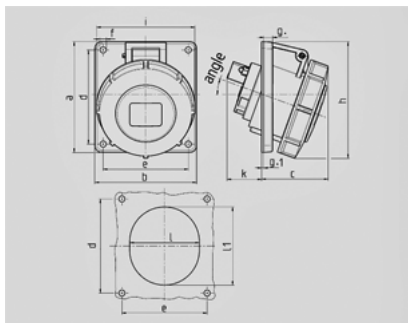
Panel mounted receptacle - Part no. 1485



- screw terminals
- 20° inclination
- 32A receptacles optional fitted with auxiliary contact

Technical information

| | |
|-----------------------|-----------------|
| Ampere | 16 A |
| Poles | 5 p |
| Voltage | 400 V |
| Earth position | 6 h |
| Hertz | 50-60 Hz |
| Connection technology | Screw terminals |
| Contact | standard |
| Protection type | IP 67 |



| Drawing 1 MB 251 | Amp. Poles | 16 | | | 32 | | |
|---|---------------|------|-----|-----|-----|-----|-----|
| | | 3 | 4 | 5 | 3 | 4 | 5 |
| Dim. in mm | a | 73,5 | 100 | 100 | 100 | 100 | 100 |
| | b | 64 | 92 | 92 | 92 | 92 | 92 |
| | c | 52 | 60 | 62 | 64 | 64 | 66 |
| | d | 60 | 85 | 85 | 85 | 85 | 85 |
| | e | 52 | 77 | 77 | 77 | 77 | 77 |
| | f | 5,5 | 5,5 | 5,5 | 5,5 | 5,5 | 5,5 |
| | g | 8 | 8 | 8 | 8 | 8 | 8 |
| | g.1 | 2 | 2 | 2 | 2 | 2 | 2 |
| | h | 84 | 100 | 105 | 109 | 109 | 113 |
| | i | 78 | 85 | 96 | 103 | 103 | 110 |
| | k | 43 | 32 | 32 | 53 | 53 | 45 |
| | l | 52 | 55 | 65 | 67 | 67 | 72 |
| | ll | 60 | 63 | 72 | 82 | 82 | 85 |
| | o | 20° | 20° | 20° | 20° | 20° | 20° |
| Terminal for cond. cross section (mm²) min.-max. | | 1,5 | 1,5 | 1,5 | 2,5 | 2,5 | 2,5 |
| | | -4 | -4 | -4 | -10 | -10 | -10 |

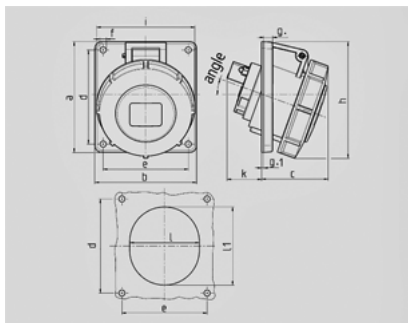
Panel mounted receptacle - Part no. 1489



- screw terminals
- 20° inclination
- 32A receptacles optional fitted with auxiliary contact

Technical information

| | |
|-----------------------|-----------------|
| Ampere | 32 A |
| Poles | 5 p |
| Voltage | 110 V |
| Earth position | 4 h |
| Hertz | 50-60 Hz |
| Connection technology | Screw terminals |
| Contact | standard |
| Protection type | IP 67 |



| Drawing 1 MB 251 | Amp. Poles | 16 | | | 32 | | |
|---|---------------|------|-----|-----|-----|-----|-----|
| | | 3 | 4 | 5 | 3 | 4 | 5 |
| Dim. in mm | a | 73,5 | 100 | 100 | 100 | 100 | 100 |
| | b | 64 | 92 | 92 | 92 | 92 | 92 |
| | c | 52 | 60 | 62 | 64 | 64 | 66 |
| | d | 60 | 85 | 85 | 85 | 85 | 85 |
| | e | 52 | 77 | 77 | 77 | 77 | 77 |
| | f | 5,5 | 5,5 | 5,5 | 5,5 | 5,5 | 5,5 |
| | g | 8 | 8 | 8 | 8 | 8 | 8 |
| | g.1 | 2 | 2 | 2 | 2 | 2 | 2 |
| | h | 84 | 100 | 105 | 109 | 109 | 113 |
| | i | 78 | 85 | 96 | 103 | 103 | 110 |
| | k | 43 | 32 | 32 | 53 | 53 | 45 |
| | l | 52 | 55 | 65 | 67 | 67 | 72 |
| | ll | 60 | 63 | 72 | 82 | 82 | 85 |
| | o | 20° | 20° | 20° | 20° | 20° | 20° |
| Terminal for cond. cross section (mm²) min.-max. | | 1,5 | 1,5 | 1,5 | 2,5 | 2,5 | 2,5 |
| | | -4 | -4 | -4 | -10 | -10 | -10 |

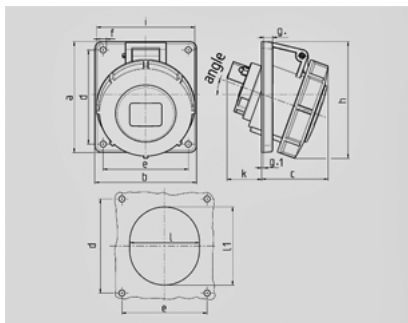
Panel mounted receptacle - Part no. 1490



- screw terminals
- 20° inclination
- 32A receptacles optional fitted with auxiliary contact

Technical information

| | |
|-----------------------|-----------------|
| Ampere | 32 A |
| Poles | 5 p |
| Voltage | 230 V |
| Earth position | 9 h |
| Hertz | 50-60 Hz |
| Connection technology | Screw terminals |
| Contact | standard |
| Protection type | IP 67 |



| Drawing 1 MB 251 | Amp. Poles | 16 | | | 32 | | |
|--|---------------|------|-----|-----|-----|-----|-----|
| | | 3 | 4 | 5 | 3 | 4 | 5 |
| Dim. in mm | a | 73,5 | 100 | 100 | 100 | 100 | 100 |
| | b | 64 | 92 | 92 | 92 | 92 | 92 |
| | c | 52 | 60 | 62 | 64 | 64 | 66 |
| | d | 60 | 85 | 85 | 85 | 85 | 85 |
| | e | 52 | 77 | 77 | 77 | 77 | 77 |
| | f | 5,5 | 5,5 | 5,5 | 5,5 | 5,5 | 5,5 |
| | g | 8 | 8 | 8 | 8 | 8 | 8 |
| | g.1 | 2 | 2 | 2 | 2 | 2 | 2 |
| | h | 84 | 100 | 105 | 109 | 109 | 113 |
| | i | 78 | 85 | 96 | 103 | 103 | 110 |
| | k | 43 | 32 | 32 | 53 | 53 | 45 |
| | l | 52 | 55 | 65 | 67 | 67 | 72 |
| | ll | 60 | 63 | 72 | 82 | 82 | 85 |
| | o | 20° | 20° | 20° | 20° | 20° | 20° |
| Terminal for cond. cross section (mm ²) min.-max. | | 1,5 | 1,5 | 1,5 | 2,5 | 2,5 | 2,5 |
| | | -4 | -4 | -4 | -10 | -10 | -10 |

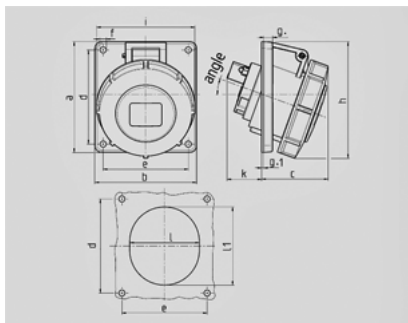
Panel mounted receptacle - Part no. 1501



- screw terminals
- 20° inclination
- 32A receptacles optional fitted with auxiliary contact

Technical information

| | |
|-----------------------|-----------------|
| Ampere | 32 A |
| Poles | 3 p |
| Voltage | 110 V |
| Earth position | 4 h |
| Hertz | 50-60 Hz |
| Connection technology | Screw terminals |
| Contact | standard |
| Protection type | IP 67 |



| Drawing 1 MB 251 | Amp. Poles | 16 | | | 32 | | |
|---|---------------|------|-----|-----|-----|-----|-----|
| | | 3 | 4 | 5 | 3 | 4 | 5 |
| Dim. in mm | a | 73,5 | 100 | 100 | 100 | 100 | 100 |
| | b | 64 | 92 | 92 | 92 | 92 | 92 |
| | c | 52 | 60 | 62 | 64 | 64 | 66 |
| | d | 60 | 85 | 85 | 85 | 85 | 85 |
| | e | 52 | 77 | 77 | 77 | 77 | 77 |
| | f | 5,5 | 5,5 | 5,5 | 5,5 | 5,5 | 5,5 |
| | g | 8 | 8 | 8 | 8 | 8 | 8 |
| | g.1 | 2 | 2 | 2 | 2 | 2 | 2 |
| | h | 84 | 100 | 105 | 109 | 109 | 113 |
| | i | 78 | 85 | 96 | 103 | 103 | 110 |
| | k | 43 | 32 | 32 | 53 | 53 | 45 |
| | l | 52 | 55 | 65 | 67 | 67 | 72 |
| | ll | 60 | 63 | 72 | 82 | 82 | 85 |
| | o | 20° | 20° | 20° | 20° | 20° | 20° |
| Terminal for cond. cross section (mm²) min.-max. | | 1,5 | 1,5 | 1,5 | 2,5 | 2,5 | 2,5 |
| | | -4 | -4 | -4 | -10 | -10 | -10 |

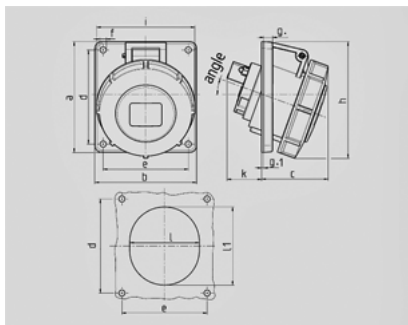
Panel mounted receptacle - Part no. 1502



- screw terminals
- 20° inclination
- 32A receptacles optional fitted with auxiliary contact

Technical information

| | |
|-----------------------|-----------------|
| Ampere | 32 A |
| Poles | 3 p |
| Voltage | 230 V |
| Earth position | 6 h |
| Hertz | 50-60 Hz |
| Connection technology | Screw terminals |
| Contact | standard |
| Protection type | IP 67 |



| Drawing 1 MB 251 Dim. in mm | Amp. Poles | 16 | | | 32 | | |
|---|---------------|-----------|-----------|-----------|------------|------------|------------|
| | | 3 | 4 | 5 | 3 | 4 | 5 |
| a | | 73,5 | 100 | 100 | 100 | 100 | 100 |
| b | | 64 | 92 | 92 | 92 | 92 | 92 |
| c | | 52 | 60 | 62 | 64 | 64 | 66 |
| d | | 60 | 85 | 85 | 85 | 85 | 85 |
| e | | 52 | 77 | 77 | 77 | 77 | 77 |
| f | | 5,5 | 5,5 | 5,5 | 5,5 | 5,5 | 5,5 |
| g | | 8 | 8 | 8 | 8 | 8 | 8 |
| g.1 | | 2 | 2 | 2 | 2 | 2 | 2 |
| h | | 84 | 100 | 105 | 109 | 109 | 113 |
| i | | 78 | 85 | 96 | 103 | 103 | 110 |
| k | | 43 | 32 | 32 | 53 | 53 | 45 |
| l | | 52 | 55 | 65 | 67 | 67 | 72 |
| ll | | 60 | 63 | 72 | 82 | 82 | 85 |
| o | | 20° | 20° | 20° | 20° | 20° | 20° |
| Terminal for cond. cross section (mm²) min.-max. | | 1,5 —4 | 1,5 —4 | 1,5 —4 | 2,5 —10 | 2,5 —10 | 2,5 —10 |

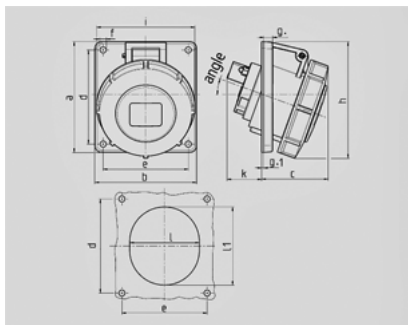
Panel mounted receptacle - Part no. 1503



- screw terminals
- 20° inclination
- 32A receptacles optional fitted with auxiliary contact

Technical information

| | |
|-----------------------|-----------------|
| Ampere | 32 A |
| Poles | 3 p |
| Voltage | 400 V |
| Earth position | 9 h |
| Hertz | 50-60 Hz |
| Connection technology | Screw terminals |
| Contact | standard |
| Protection type | IP 67 |

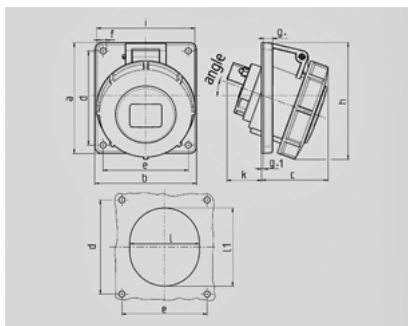


| Drawing 1 MB 251 | Amp. Poles | 16 | | | 32 | | |
|---|---------------|------|-----|-----|-----|-----|-----|
| | | 3 | 4 | 5 | 3 | 4 | 5 |
| Dim. in mm | a | 73,5 | 100 | 100 | 100 | 100 | 100 |
| | b | 64 | 92 | 92 | 92 | 92 | 92 |
| | c | 52 | 60 | 62 | 64 | 64 | 66 |
| | d | 60 | 85 | 85 | 85 | 85 | 85 |
| | e | 52 | 77 | 77 | 77 | 77 | 77 |
| | f | 5,5 | 5,5 | 5,5 | 5,5 | 5,5 | 5,5 |
| | g | 8 | 8 | 8 | 8 | 8 | 8 |
| | g.1 | 2 | 2 | 2 | 2 | 2 | 2 |
| | h | 84 | 100 | 105 | 109 | 109 | 113 |
| | i | 78 | 85 | 96 | 103 | 103 | 110 |
| | k | 43 | 32 | 32 | 53 | 53 | 45 |
| | l | 52 | 55 | 65 | 67 | 67 | 72 |
| | ll | 60 | 63 | 72 | 82 | 82 | 85 |
| | o | 20° | 20° | 20° | 20° | 20° | 20° |
| Terminal for cond. cross section (mm²) min.-max. | | 1,5 | 1,5 | 1,5 | 2,5 | 2,5 | 2,5 |
| | | -4 | -4 | -4 | -10 | -10 | -10 |

Panel mounted receptacle - Part no. 1504

- screw terminals
- 20° inclination
- 32A receptacles optional fitted with auxiliary contact

| Technical information | |
|-----------------------|-----------------|
| Ampere | 32 A |
| Poles | 4 p |
| Voltage | 110 V |
| Earth position | 4 h |
| Hertz | 50-60 Hz |
| Connection technology | Screw terminals |
| Contact | standard |
| Protection type | IP 67 |



| Drawing 1 MB 251 | Amp. Poles | 16 | | | 32 | | |
|--|---------------|------|-----|-----|-----|-----|-----|
| | | 3 | 4 | 5 | 3 | 4 | 5 |
| Dim. in mm | a | 73,5 | 100 | 100 | 100 | 100 | 100 |
| | b | 64 | 92 | 92 | 92 | 92 | 92 |
| | c | 52 | 60 | 62 | 64 | 64 | 66 |
| | d | 60 | 85 | 85 | 85 | 85 | 85 |
| | e | 52 | 77 | 77 | 77 | 77 | 77 |
| | f | 5,5 | 5,5 | 5,5 | 5,5 | 5,5 | 5,5 |
| | g | 8 | 8 | 8 | 8 | 8 | 8 |
| | g.1 | 2 | 2 | 2 | 2 | 2 | 2 |
| | h | 84 | 100 | 105 | 109 | 109 | 113 |
| | i | 78 | 85 | 96 | 103 | 103 | 110 |
| | k | 43 | 32 | 32 | 53 | 53 | 45 |
| | l | 52 | 55 | 65 | 67 | 67 | 72 |
| | ll | 60 | 63 | 72 | 82 | 82 | 85 |
| | α | 20° | 20° | 20° | 20° | 20° | 20° |
| Terminal for cond. cross section (mm ²) min.-max. | | 1,5 | 1,5 | 1,5 | 2,5 | 2,5 | 2,5 |
| | | -4 | -4 | -4 | -10 | -10 | -10 |

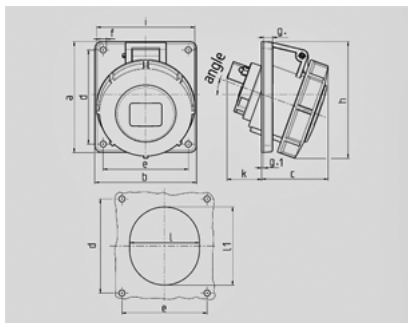
Panel mounted receptacle - Part no. 1505



- screw terminals
- 20° inclination
- 32A receptacles optional fitted with auxiliary contact

Technical information

| | |
|-----------------------|-----------------|
| Ampere | 32 A |
| Poles | 4 p |
| Voltage | 230 V |
| Earth position | 9 h |
| Hertz | 50-60 Hz |
| Connection technology | Screw terminals |
| Contact | standard |
| Protection type | IP 67 |



| Drawing 1 MB 251 Dim. in mm | Amp. Poles | 16 | | | 32 | | |
|---|---------------|------|-----|-----|-----|-----|-----|
| | | 3 | 4 | 5 | 3 | 4 | 5 |
| a | | 73,5 | 100 | 100 | 100 | 100 | 100 |
| b | | 64 | 92 | 92 | 92 | 92 | 92 |
| c | | 52 | 60 | 62 | 64 | 64 | 66 |
| d | | 60 | 85 | 85 | 85 | 85 | 85 |
| e | | 52 | 77 | 77 | 77 | 77 | 77 |
| f | | 5,5 | 5,5 | 5,5 | 5,5 | 5,5 | 5,5 |
| g | | 8 | 8 | 8 | 8 | 8 | 8 |
| g.1 | | 2 | 2 | 2 | 2 | 2 | 2 |
| h | | 84 | 100 | 105 | 109 | 109 | 113 |
| i | | 78 | 85 | 96 | 103 | 103 | 110 |
| k | | 43 | 32 | 32 | 53 | 53 | 45 |
| l | | 52 | 55 | 65 | 67 | 67 | 72 |
| ll | | 60 | 63 | 72 | 82 | 82 | 85 |
| o | | 20° | 20° | 20° | 20° | 20° | 20° |
| Terminal for cond. cross section (mm²) min.-max. | | 1,5 | 1,5 | 1,5 | 2,5 | 2,5 | 2,5 |
| | | -4 | -4 | -4 | -10 | -10 | -10 |

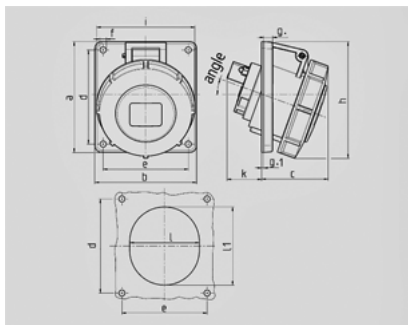
Panel mounted receptacle - Part no. 1506



- screw terminals
- 20° inclination
- 32A receptacles optional fitted with auxiliary contact

Technical information

| | |
|-----------------------|-----------------|
| Ampere | 32 A |
| Poles | 4 p |
| Voltage | 400 V |
| Earth position | 6 h |
| Hertz | 50-60 Hz |
| Connection technology | Screw terminals |
| Contact | standard |
| Protection type | IP 67 |



| Drawing 1 MB 251 | Amp. Poles | 16 | | | 32 | | |
|---|---------------|------|-----|-----|-----|-----|-----|
| | | 3 | 4 | 5 | 3 | 4 | 5 |
| Dim. in mm | a | 73,5 | 100 | 100 | 100 | 100 | 100 |
| | b | 64 | 92 | 92 | 92 | 92 | 92 |
| | c | 52 | 60 | 62 | 64 | 64 | 66 |
| | d | 60 | 85 | 85 | 85 | 85 | 85 |
| | e | 52 | 77 | 77 | 77 | 77 | 77 |
| | f | 5,5 | 5,5 | 5,5 | 5,5 | 5,5 | 5,5 |
| | g | 8 | 8 | 8 | 8 | 8 | 8 |
| | g.1 | 2 | 2 | 2 | 2 | 2 | 2 |
| | h | 84 | 100 | 105 | 109 | 109 | 113 |
| | i | 78 | 85 | 96 | 103 | 103 | 110 |
| | k | 43 | 32 | 32 | 53 | 53 | 45 |
| | l | 52 | 55 | 65 | 67 | 67 | 72 |
| | ll | 60 | 63 | 72 | 82 | 82 | 85 |
| | o | 20° | 20° | 20° | 20° | 20° | 20° |
| Terminal for cond. cross section (mm²) min.-max. | | 1,5 | 1,5 | 1,5 | 2,5 | 2,5 | 2,5 |
| | | -4 | -4 | -4 | -10 | -10 | -10 |

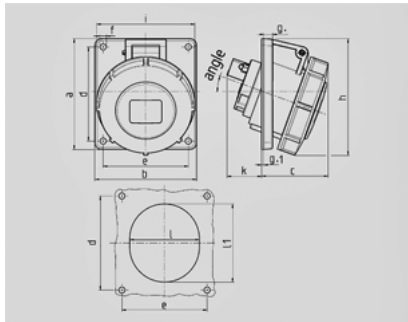
Panel mounted receptacle - Part no. 1507



- screw terminals
- 20° inclination
- 32A receptacles optional fitted with auxiliary contact

Technical information

| | |
|-----------------------|-----------------|
| Ampere | 32 A |
| Poles | 4 p |
| Voltage | 500 V |
| Earth position | 7 h |
| Hertz | 50-60 Hz |
| Connection technology | Screw terminals |
| Contact | standard |
| Protection type | IP 67 |



| Drawing 1 MB 251 Dim. in mm | Amp. Poles | 16 | | | 32 | | |
|---|---------------|------|-----|-----|-----|-----|-----|
| | | 3 | 4 | 5 | 3 | 4 | 5 |
| a | | 73,5 | 100 | 100 | 100 | 100 | 100 |
| b | | 64 | 92 | 92 | 92 | 92 | 92 |
| c | | 52 | 60 | 62 | 64 | 64 | 66 |
| d | | 60 | 85 | 85 | 85 | 85 | 85 |
| e | | 52 | 77 | 77 | 77 | 77 | 77 |
| f | | 5,5 | 5,5 | 5,5 | 5,5 | 5,5 | 5,5 |
| g | | 8 | 8 | 8 | 8 | 8 | 8 |
| g.1 | | 2 | 2 | 2 | 2 | 2 | 2 |
| h | | 84 | 100 | 105 | 109 | 109 | 113 |
| i | | 78 | 85 | 96 | 103 | 103 | 110 |
| k | | 43 | 32 | 32 | 53 | 53 | 45 |
| l | | 52 | 55 | 65 | 67 | 67 | 72 |
| ll | | 60 | 63 | 72 | 82 | 82 | 85 |
| o | | 20° | 20° | 20° | 20° | 20° | 20° |
| Terminal for cond. cross section (mm²) min.-max. | | 1,5 | 1,5 | 1,5 | 2,5 | 2,5 | 2,5 |
| | | -4 | -4 | -4 | -10 | -10 | -10 |

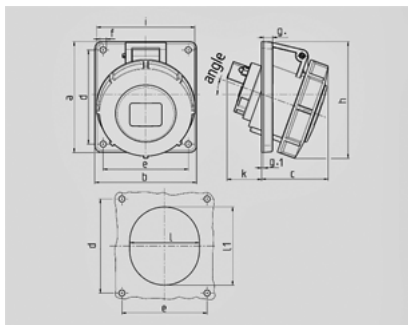
Panel mounted receptacle - Part no. 1551



- screw terminals
- 20° inclination
- 32A receptacles optional fitted with auxiliary contact

Technical information

| | |
|-----------------------|-----------------|
| Ampere | 32 A |
| Poles | 5 p |
| Voltage | 400 V |
| Earth position | 6 h |
| Hertz | 50-60 Hz |
| Connection technology | Screw terminals |
| Contact | standard |
| Protection type | IP 67 |



| Drawing 1 MB 251 | Amp. Poles | 16 | | | 32 | | |
|---|---------------|------|-----|-----|-----|-----|-----|
| | | 3 | 4 | 5 | 3 | 4 | 5 |
| Dim. in mm | a | 73,5 | 100 | 100 | 100 | 100 | 100 |
| | b | 64 | 92 | 92 | 92 | 92 | 92 |
| | c | 52 | 60 | 62 | 64 | 64 | 66 |
| | d | 60 | 85 | 85 | 85 | 85 | 85 |
| | e | 52 | 77 | 77 | 77 | 77 | 77 |
| | f | 5,5 | 5,5 | 5,5 | 5,5 | 5,5 | 5,5 |
| | g | 8 | 8 | 8 | 8 | 8 | 8 |
| | g.1 | 2 | 2 | 2 | 2 | 2 | 2 |
| | h | 84 | 100 | 105 | 109 | 109 | 113 |
| | i | 78 | 85 | 96 | 103 | 103 | 110 |
| | k | 43 | 32 | 32 | 53 | 53 | 45 |
| | l | 52 | 55 | 65 | 67 | 67 | 72 |
| | ll | 60 | 63 | 72 | 82 | 82 | 85 |
| | o | 20° | 20° | 20° | 20° | 20° | 20° |
| Terminal for cond. cross section (mm²) min.-max. | | 1,5 | 1,5 | 1,5 | 2,5 | 2,5 | 2,5 |
| | | -4 | -4 | -4 | -10 | -10 | -10 |

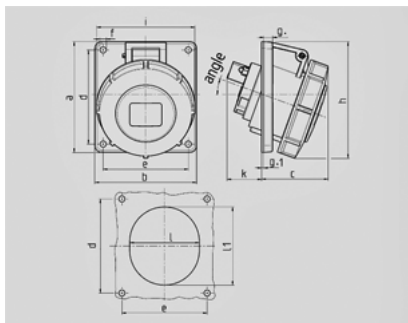
Panel mounted receptacle - Part no. 1567



- screw terminals
- 20° inclination
- 32A receptacles optional fitted with auxiliary contact

Technical information

| | |
|-----------------------|-----------------|
| Ampere | 32 A |
| Poles | 4 p |
| Voltage | >50-500 V |
| Earth position | 10 h |
| Hertz | 100-300 Hz |
| Connection technology | Screw terminals |
| Contact | standard |
| Protection type | IP 67 |



| Drawing 1 MB 251 | Amp. Poles | 16 | | | 32 | | |
|---|---------------|------|-----|-----|-----|-----|-----|
| | | 3 | 4 | 5 | 3 | 4 | 5 |
| Dim. in mm | a | 73,5 | 100 | 100 | 100 | 100 | 100 |
| | b | 64 | 92 | 92 | 92 | 92 | 92 |
| | c | 52 | 60 | 62 | 64 | 64 | 66 |
| | d | 60 | 85 | 85 | 85 | 85 | 85 |
| | e | 52 | 77 | 77 | 77 | 77 | 77 |
| | f | 5,5 | 5,5 | 5,5 | 5,5 | 5,5 | 5,5 |
| | g | 8 | 8 | 8 | 8 | 8 | 8 |
| | g.1 | 2 | 2 | 2 | 2 | 2 | 2 |
| | h | 84 | 100 | 105 | 109 | 109 | 113 |
| | i | 78 | 85 | 96 | 103 | 103 | 110 |
| | k | 43 | 32 | 32 | 53 | 53 | 45 |
| | l | 52 | 55 | 65 | 67 | 67 | 72 |
| | ll | 60 | 63 | 72 | 82 | 82 | 85 |
| | o | 20° | 20° | 20° | 20° | 20° | 20° |
| Terminal for cond. cross section (mm²) min.-max. | | 1,5 | 1,5 | 1,5 | 2,5 | 2,5 | 2,5 |
| | | -4 | -4 | -4 | -10 | -10 | -10 |

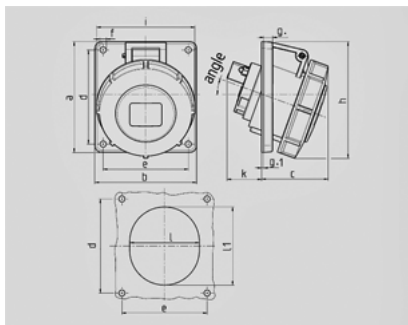
Panel mounted receptacle - Part no. 1568



- screw terminals
- 20° inclination
- 32A receptacles optional fitted with auxiliary contact

Technical information

| | |
|-----------------------|-----------------|
| Ampere | 32 A |
| Poles | 4 p |
| Voltage | >50-500 V |
| Earth position | 2 h |
| Hertz | >300-500 Hz |
| Connection technology | Screw terminals |
| Contact | standard |
| Protection type | IP 67 |



| Drawing 1 MB 251 | Amp. Poles | 16 | | | 32 | | |
|---|---------------|------|-----|-----|-----|-----|-----|
| | | 3 | 4 | 5 | 3 | 4 | 5 |
| Dim. in mm | a | 73,5 | 100 | 100 | 100 | 100 | 100 |
| | b | 64 | 92 | 92 | 92 | 92 | 92 |
| | c | 52 | 60 | 62 | 64 | 64 | 66 |
| | d | 60 | 85 | 85 | 85 | 85 | 85 |
| | e | 52 | 77 | 77 | 77 | 77 | 77 |
| | f | 5,5 | 5,5 | 5,5 | 5,5 | 5,5 | 5,5 |
| | g | 8 | 8 | 8 | 8 | 8 | 8 |
| | g.1 | 2 | 2 | 2 | 2 | 2 | 2 |
| | h | 84 | 100 | 105 | 109 | 109 | 113 |
| | i | 78 | 85 | 96 | 103 | 103 | 110 |
| | k | 43 | 32 | 32 | 53 | 53 | 45 |
| | l | 52 | 55 | 65 | 67 | 67 | 72 |
| | ll | 60 | 63 | 72 | 82 | 82 | 85 |
| | o | 20° | 20° | 20° | 20° | 20° | 20° |
| Terminal for cond. cross section (mm²) min.-max. | | 1,5 | 1,5 | 1,5 | 2,5 | 2,5 | 2,5 |
| | | -4 | -4 | -4 | -10 | -10 | -10 |