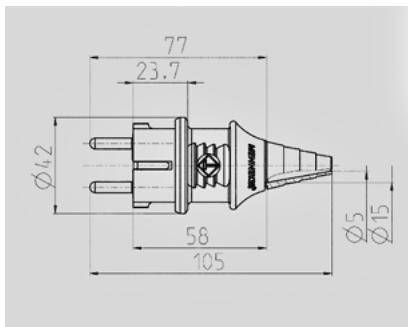


Plug SCHUKO® - Part no. 10749


- screw terminals
- with combined PE-conductor acc. to german and french-belgian standard
- with grommet
- for cables up to 3 x 2.5 mm², up to H07RN-F

Technical information	
Ampere	16 A
Poles	2 p+E
Voltage	230 V
Shutter	no
Connection technology	Screw terminals
Contact	standard
Protection type	IP 44



Drawing
2 MB 139

Dim. in mm

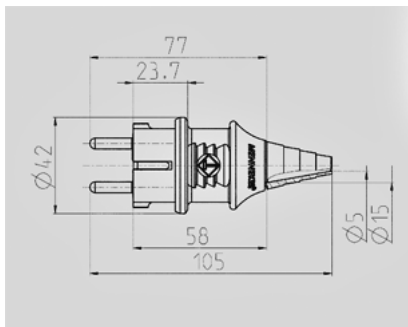
Plug SCHUKO® - Part no. 10754



- screw terminals
- with combined PE-conductor acc. to german and french-belgian standard
- with grommet
- for cables up to 3 x 2.5 mm², up to H07RN-F

Technical information

Ampere	16 A
Poles	2 p+E
Voltage	230 V
Shutter	no
Connection technology	Screw terminals
Contact	standard
Protection type	IP 44



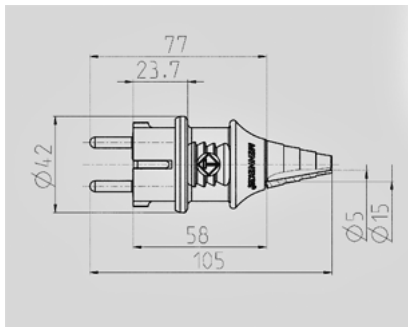
Drawing
2 MB 139

Dim. in mm

Plug SCHUKO® - Part no. 10837


- screw terminals
- with combined PE-conductor acc. to german and french-belgian standard
- with grommet
- for cables up to 3 x 2.5 mm², up to H07RN-F

Technical information	
Ampere	16 A
Poles	2 p+E
Voltage	230 V
Shutter	no
Connection technology	Screw terminals
Contact	standard
Protection type	IP 44



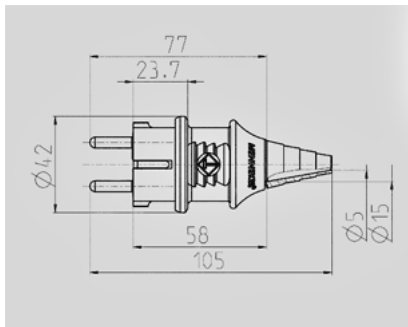
Drawing
2 MB 139

Dim. in mm

Plug SCHUKO® - Part no. 10838


- screw terminals
- with combined PE-conductor acc. to german and french-belgian standard
- with grommet
- for cables up to 3 x 2.5 mm², up to H07RN-F

Technical information	
Ampere	16 A
Poles	2 p+E
Voltage	230 V
Shutter	no
Connection technology	Screw terminals
Contact	standard
Protection type	IP 44



Drawing
2 MB 139

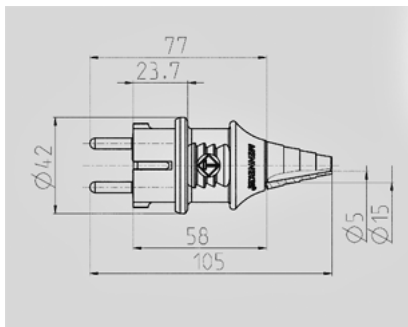
Dim. in mm

Plug SCHUKO® - Part no. 10839


- screw terminals
- with combined PE-conductor acc. to german and french-belgian standard
- with grommet
- for cables up to 3 x 2.5 mm², up to H07RN-F

Technical information

Ampere	16 A
Poles	2 p+E
Voltage	230 V
Shutter	no
Connection technology	Screw terminals
Contact	standard
Protection type	IP 44

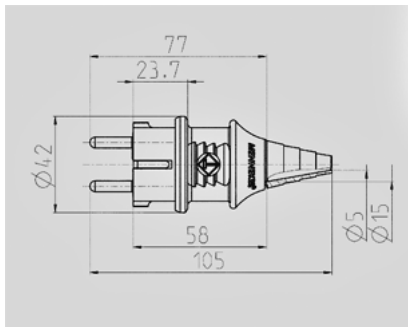

 Drawing
 2 MB 139

Dim. in mm

Plug SCHUKO® - Part no. 10840


- screw terminals
- with combined PE-conductor acc. to german and french-belgian standard
- with grommet
- for cables up to 3 x 2.5 mm², up to H07RN-F

Technical information	
Ampere	16 A
Poles	2 p+E
Voltage	230 V
Shutter	no
Connection technology	Screw terminals
Contact	standard
Protection type	IP 44



Drawing
2 MB 139

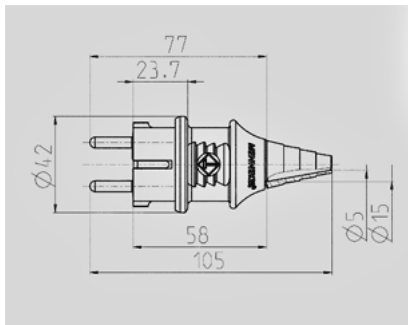
Dim. in mm

Plug SCHUKO® - Part no. 10841

- screw terminals
- with combined PE-conductor acc. to german and french-belgian standard
- with grommet
- for cables up to 3 x 2.5 mm², up to H07RN-F



Technical information	
Ampere	16 A
Poles	2 p+E
Voltage	230 V
Shutter	no
Connection technology	Screw terminals
Contact	standard
Protection type	IP 44



Drawing
2 MB 139

Dim. in mm