

# Micrometer

The origin of Mitutoyo's trustworthy brand of small tool instruments

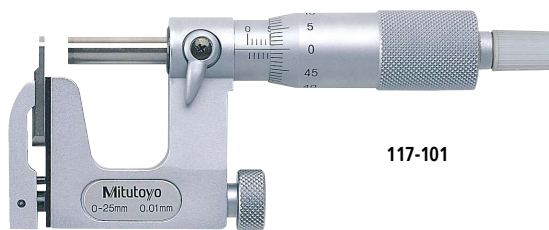
## "Uni-Mike" SERIES 317, 117 — Interchangeable Anvil Type

**MeasurLink** ENABLED  
Data Management Software by Mitutoyo

- A selection of interchangeable anvils (rod anvils and V-anvils) enables measurement of tube thickness, rivet head height and similar features just by replacing the anvil to suit.
- IP65 water/dust protection (**series 317**).
- Equipped with Ratchet Stop for constant measuring force.



317-251-30



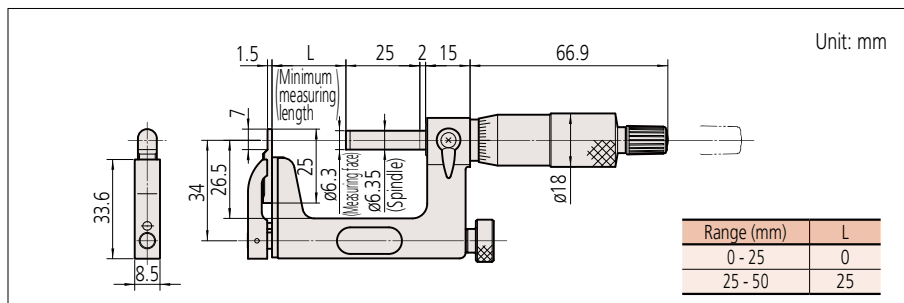
117-101

### SPECIFICATIONS

Metric					
Order No.	Range (mm)	Resolution (mm)	Spindle feed error (μm)	Flatness (μm)	Parallelism (μm)
Digimatic (LCD)					
317-251-30	0 - 25	0.001	3	0.6 (Spindle face)/ 2 (Anvil face)	3
317-252-30	25 - 50				
Metric					
Order No.	Range (mm)	Graduation (mm)	Spindle feed error (μm)	Flatness (μm)	Parallelism (μm)
Analog					
117-101	0 - 25	0.01	3	0.6 (Spindle face)/ 2 (Anvil face)	3
117-102	25 - 50				
Inch / Metric					
Order No.	Range (in)	Resolution	Spindle feed error (in)	Flatness (in)	Parallelism (in)
Digimatic (LCD)					
317-351-30	0 - 1	0.00005 in/0.001 mm	0.00015	0.000024 (Spindle face) 0.00008 (Anvil face)	0.00012
317-352-30	1 - 2				
Inch					
Order No.	Range (in)	Graduation (in)	Spindle feed error (in)	Flatness (in)	Parallelism (in)
Analog					
117-107	0 - 1	0.0001	0.00015	0.000024 (Spindle face)/ 0.00008 (Anvil face)	0.00012
117-108	1 - 2				

Note: For functional details of **series 317** refer to page B-8.  
Optional connecting cable is available only for water-proof type (Digimatic model).

### DIMENSIONS



**MeasurLink** ENABLED  
Data Management Software by Mitutoyo

Products equipped with the measurement data output function can be connected to the measurement data network system MeasurLink (refer to page A-5 for details).



These marks indicate that a product has successfully passed IP65-level testing, which is carried out by the independent German certification organization TÜV Rheinland.



### IP Codes (series 317)

- Level 6: Dust-proof.  
No ingress of dust allowed.
- Level 5: Protected against water jets.  
Water projected in jets against the enclosure from any direction shall have no harmful effects.



### Technical Data

- Battery for **series 317**  
SR44 (1 pc.), **938882**, for initial operational checks (standard accessory)
- Battery life: Approx. 2.4 years under normal use (for **series 317**)
- Length standard: Electromagnetic rotary sensor (for **series 317**)
- Standard accessories: Reference bar, 1 pc. (except for measuring range 0 to 25 mm (0 to 1 in) models)  
Spanner (**200877**), 1 pc. (for **series 117-XXX**)  
Spanner (**301336**), 1 pc. (for **series 317-XXX**)

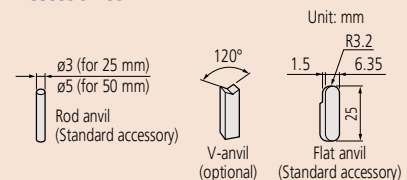
### Optional Accessories

- Connecting cables (**series 317**)  
1 m: **05CZA662**  
2 m: **05CZA663**
- USB Input Tool Direct  
**USB-ITN-B** (2 m): **06AFM380B**
- **U-WAVE-T** dedicated connection cable  
160 mm: **02AZD790B**  
For foot switch: **02AZE140B**  
Refer to page A-27 for details.

### Wireless Data Output U-WAVE™

- **U-WAVE-TM** **264-622** (IP67 type)  
**264-623** (Buzzer type)
- **U-WAVE-TMB** Transmitter  
**Mitutoyo Bluetooth® U-WAVE**  
**264-626** (IP type)  
**264-627** (Buzzer type)  
Refer to page A-16 for details.
- Connecting unit for **U-WAVE-TM/TMB**  
**02AZF310** (IP67/buzzer type common specification)  
Refer to pages A-16 and A-18 for details.

### Accessories



Order No.	Item
201216	Flat anvil (standard accessory)
201217	Rod anvil (standard accessory for 117-101/117-107/317-251-30/317-351-30)
201379	Rod anvil (standard accessory for 117-102/117-108/317-252-30/317-352-30)
201218	V-anvil (optional)
950758	Round Base for <b>series 117</b> , for 0-25 mm ø58x14.2 mm (optional)