

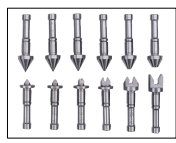
Micrometer

The origin of Mitutoyo's trustworthy brand of small tool instruments

Screw Thread Micrometers SERIES 326, 126 — Interchangeable Anvil/Spindle Tip Type

MeasurLink¹ ENABLED
Data Management Software by Mitutoyo

- Use by installing a suitable interchangeable anvil/spindle tip pair.
- Direct reading of screw pitch diameter (no need for calculation).
- **Series 326** is a protection grade IP65, waterproof Digimatic screw thread micrometer with interchangeable anvil/spindle tip.
- Equipped with Ratchet Stop for constant measuring force.
- Supplied with a setting standard for adjusting zero point for metric (unified) 60° threads.
- Interchangeable anvils/spindle tips are optional.



Interchangeable anvils/
spindle tips (optional)

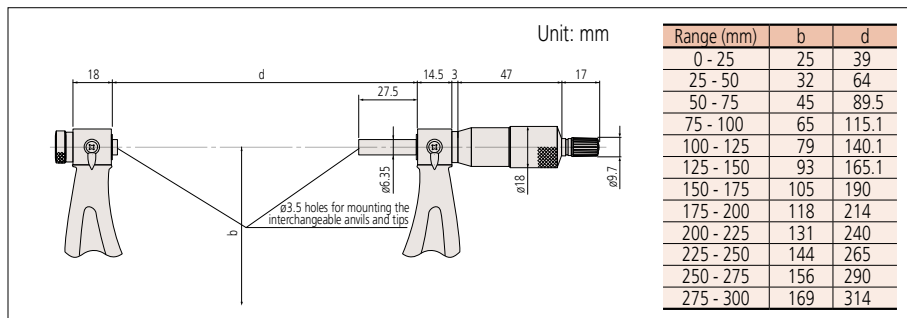
SPECIFICATIONS

Metric				Inch/Metric			
Order No.	Range (mm)	Resolution (mm)	Spindle feed error (μm)	Order No.	Range (in)	Resolution	Spindle feed error (in)
Digimatic (LCD)				Digimatic (LCD)			
326-251-30	0 - 25	0.001	3	326-351-30	0 - 1	0.0005 in/ 0.001 mm	0.00015
326-252-30	25 - 50			326-352-30	1 - 2		
326-253-30	50 - 75			326-353-30	2 - 3		
326-254-30	75 - 100			326-354-30	3 - 4		
Analog				Analog			
Order No.	Range (mm)	Graduation (mm)	Spindle feed error (μm)	Order No.	Range (in)	Graduation (in)	Spindle feed error (in)
126-125	0 - 25	0.01	3	126-137	0 - 1	0.001	0.00015
126-126	25 - 50			126-138	1 - 2		
126-127	50 - 75			126-139	2 - 3		
126-128	75 - 100			126-140	3 - 4		
126-129	100 - 125			126-141	4 - 5		
126-130	125 - 150			126-142	5 - 6		
126-131	150 - 175			126-143	6 - 7		
126-132	175 - 200						
126-133	200 - 225						
126-134	225 - 250						
126-135	250 - 275						
126-136	275 - 300						

Note 1: A matching setting standard is supplied with each model (except for 0 - 25 mm measuring range). (Refer to page B-61 for details).
The setting standard is for metric threads (unified) 60°.

Note 2: For functional details of series 326, refer to page B-8. Please note that origin setting of these models is by presetting.
Optional connecting cable is available only for water-proof type (Digimatic model).

DIMENSIONS



MeasurLink¹ ENABLED
Data Management Software by Mitutoyo

Products equipped with the measurement data output function can be connected to the measurement data network system MeasurLink (refer to page A-5 for details).



These marks indicate that a product has successfully passed IP65-level testing, which is carried out by the independent German certification organization TÜV Rheinland.



IP Codes (series 326)

Level 6: Dust-proof. No ingress of dust allowed.
Level 5: Protected against water jets.

Water projected in jets against the enclosure from any direction shall have no harmful effects.



Technical Data

- Battery for series 326: SR44 (1 pc), 938882, for initial operational checks (standard accessory)
- Battery life: Approx. 2.4 years under normal use (for series 326)
- Length standard: Electromagnetic rotary sensor (for series 326)

Standard Accessories Spanner (301336), 1 pc.

Optional Accessories for Series 326

- Connecting cables
1 m: 05CZA662 2 m: 05CZA663
- USB Input Tool Direct
USB-ITN-B (2 m): 06AFM380B

Wireless Data Output U-WAVE™

- U-WAVE-TM 264-622 (IP67 type) 264-623 (Buzzer type)
- U-WAVE-TMB Transmitter
Mitutoyo Bluetooth® U-WAVE 264-626 (IP type) 264-627 (Buzzer type)
Refer to page A-16 for details.
- Connecting unit for U-WAVE-TM/TMB 02AZF310 (IP67/buzzer type common specification)
Refer to pages A-16 and A-18 for details.

Optional Accessories

Sets of interchangeable anvils/spindle tips

- For Metric/Unified threads (pair)

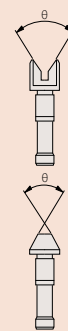
Order No.	Matching anvil/spindle tips included (mm)
126-801	0.4 - 0.5/64 - 48TPI
126-802	0.6 - 0.9/44 - 28TPI
126-803	1 - 1.75/24 - 14TPI
126-804	2 - 3/13 - 9TPI
126-805	3.5 - 5/8 - 5TPI
126-806	5.5 - 7/4.5 - 3.5TPI
126-800	Set with one each of 126-801 to 126-806

- For Whitworth threads (pair)

Order No.	Matching anvil/spindle tips included (mm)	Order No.	Matching anvil/spindle tips included (mm)
126-811	64 - 48TPI	126-817	14 - 10TPI
126-812	48 - 40TPI	126-818	10 - 7TPI
126-813	40 - 32TPI	126-819	7 - 4.5TPI
126-814	32 - 24TPI	126-820	4.5 - 3.5TPI
126-815	24 - 18TPI	126-810	Set with one each of 126-811 to 126-820
126-816	18 - 14TPI		

Technical description

- Anvils/spindle tips



- Allowable error of the angle of anvils and spindle tips

Type	Metric (Unified)	Whitworth	Half angle error
M1 (U1)	W1	W1	±30'
	W2	W2	±30'
	W3	W3	±20'
	W4	W4	±20'
M2 (U2)	W5	W5	±15'
	W6	W6	±15'
M3 (U3)	W7	W7	±10'
	W8	W8	±10'
M4 (U4)	W9	W9	±10'
	W10	W10	±10'

Note: This chart indicates the difference between the angle made by anvil's contact faces and spindle's axes and the half angle with error α.
Metric/Unified θ=60°
Whitworth θ=55°