

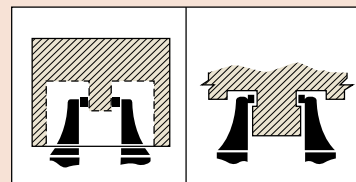
Micrometer

The origin of Mitutoyo's trustworthy brand of small tool instruments

Caliper Type Micrometers SERIES 343, 143

MeasurLink¹ ENABLED
Data Management Software by Mitutoyo

- Effective for measuring workpiece features where access is difficult.
- Measuring faces: Carbide.
- Equipped with Ratchet Stop for constant measuring force.



SPECIFICATIONS

Metric					
Order No.	Range (mm)	Resolution (mm)	Maximum permissible error J_{MPE} (μm)	Flatness (μm)	Parallelism (μm)
Digimatic (LCD)					
343-250-30	0 - 25	0.001	± 5	0.3	3
343-251-30	25 - 50		± 6		
343-252-30	50 - 75		± 7		
343-253-30	75 - 100		± 8		4

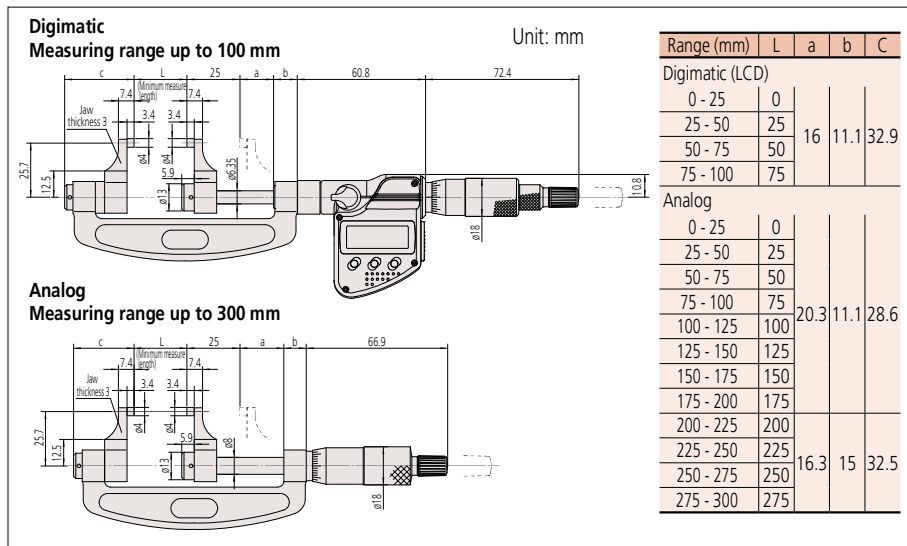
Inch / Metric					
Order No.	Range (in)	Graduation (in)	Maximum permissible error J_{MPE} (in)	Flatness (in)	Parallelism (in)
Digimatic (LCD)					
343-350-30	0 - 1	0.00005 in/ 0.001 mm	± 0.00025	0.000012	0.00012
343-351-30	1 - 2		± 0.0003		
343-352-30	2 - 3		± 0.00035		
343-353-30	3 - 4		± 0.0004		0.00016

Metric					
Order No.	Range (mm)	Graduation (mm)	Maximum permissible error J_{MPE} (μm)	Flatness (μm)	Parallelism (μm)
Analog					
143-101	0 - 25	0.01	± 5	0.3	3
143-102	25 - 50		± 6		
143-103	50 - 75		± 7		
143-104	75 - 100		± 8		
143-105	100 - 125		± 9		
143-106	125 - 150		± 10		
143-107	150 - 175		± 11		
143-108	175 - 200		± 12		
143-109	200 - 225		± 11		
143-110	225 - 250		± 12		
143-111	250 - 275		± 12		
143-112	275 - 300	± 12			

Inch					
Order No.	Range (in)	Graduation (in)	Maximum permissible error J_{MPE} (in)	Flatness (in)	Parallelism (in)
Analog					
143-121	0 - 1	0.001 in	± 0.00025	0.000012	0.00012
143-122	1 - 2		± 0.0003		
143-123	2 - 3		± 0.00035		

Note: For functional details of series 343, refer to page B-8.
Please note that these models are not water-proof.

DIMENSIONS



Technical Data

- Battery for series 343
SR44 (1 pc.), 938882, for initial operational checks (standard accessory)
- Battery life: Approx. 2.4 years under normal use (for series 343)
- Length standard: Electromagnetic rotary sensor (for series 343)
- Standard accessories: Reference bar, 1 pc.
(except for measuring range 0 to 25 mm (0 to 1 in) models)
Spanner (301336), 1 pc.

Optional Accessories for Series 343

- Connecting cables
1 m: 05CZA662
2 m: 05CZA663
- USB Input Tool Direct
USB-ITN-B (2 m): 06AFM380B
- U-WAVE-T dedicated connection cable
160 mm: 02AZD790B
For foot switch: 02AZE140B
Refer to page A-27 for details.

Wireless Data Output u-WAVE™

- U-WAVE-TM 264-622 (IP67 type)
264-623 (Buzzer type)
- U-WAVE-TMB Transmitter
Mitutoyo Bluetooth® U-WAVE
264-626 (IP type)
264-627 (Buzzer type)
Refer to page A-16 for details.
- Connecting unit for U-WAVE-TM/TMB
02AZF310 (IP67/buzzer type common specification)
Refer to pages A-16 and A-18 for details.