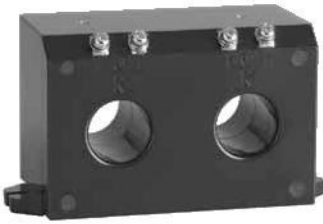


# CT (new model)

## Current Transformer for EOCR Combination

### EOCR-2CT



### EOCR-3CT



- Combined Use for Bulk Load Protection of EOCR (Definite)

### Specifications

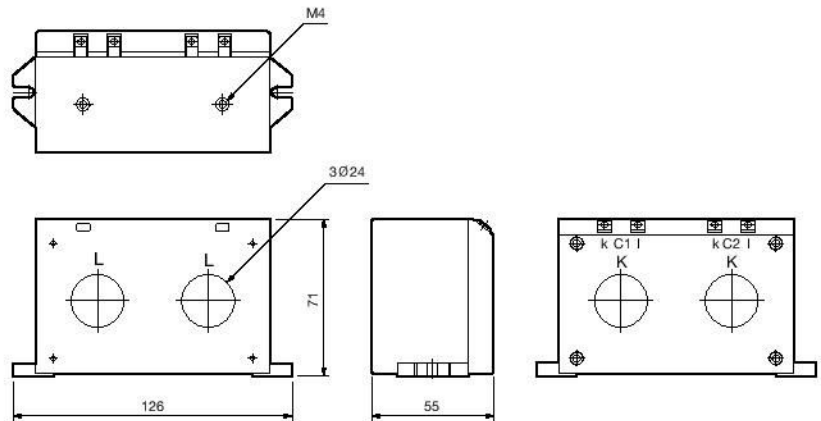
Model Name	2CT	3CT	
Current Transformer Ratio	100	100 : 5A	100 : 5A
	150	150 : 5A	150 : 5A
	200	200 : 5A	200 : 5A
	300	300 : 5A	300 : 5A
	400	400 : 5A	400 : 5A
Rating	3.0		
Burden	1.25 VA		
Insulation Voltage	AC600V		
Insulation Withstanding Voltage	2kV		
Insulation Resistance	10MΩ (DC500V Megger)	10MΩ (DC500V Megger)	
Attachment	Panel	Panel	

※ Burden is based on the Metering Class.

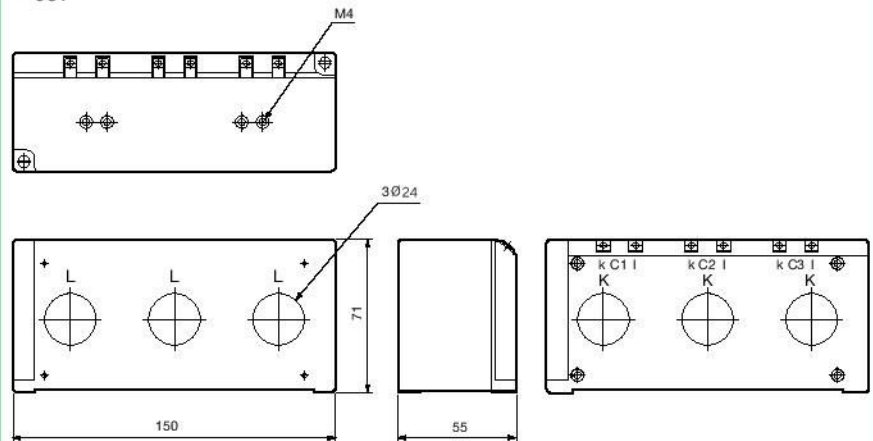
※ Do not use these CTs for non-EOCR-related purposes.

### Dimensions Diagram

#### ■ 2CT



#### ■ 3CT



# CT (new model)

## Current Transformer for EOCR Combination

### Ordering Specifications

Reference	CT Current Transformer Ratio	Notes
2CT-	D1-100-C	100:5 Rectangular CT
	DH-150-C	150:5 Rectangular CT
	D2-200-C	200:5 Rectangular CT
	D3-300-C	300:5 Rectangular CT
3CT-	D4-400-C	400:5 Rectangular CT
	H1-100-C	100:5 Rectangular CT
	HH-150-C	150:5 Rectangular CT
	H2-200-C	200:5 Rectangular CT
	H3-300-C	300:5 Rectangular CT
	H4-400-C	400:5 Rectangular CT

### How to Order

To order a 2CT:

2 C T - D 1 - 1 0 0 - C

①

①	CT Current Transformer Ratio	D1	100-C	Rectangular 2CT 100:5
		DH	150-C	Rectangular 2CT 150:5
		D2	200-C	Rectangular 2CT 200:5
		D3	300-C	Rectangular 2CT 300:5
		D4	400-C	Rectangular 2CT 400:5

To order a 3CT:

3 C T - H 1 - 1 0 0 - C

①

①	CT Current Transformer Ratio	H1	100-C	Rectangular 3CT 100:5
		HH	150-C	Rectangular 3CT 150:5
		H2	200-C	Rectangular 3CT 200:5
		H3	300-C	Rectangular 3CT 300:5
		H4	400-C	Rectangular 3CT 400:5