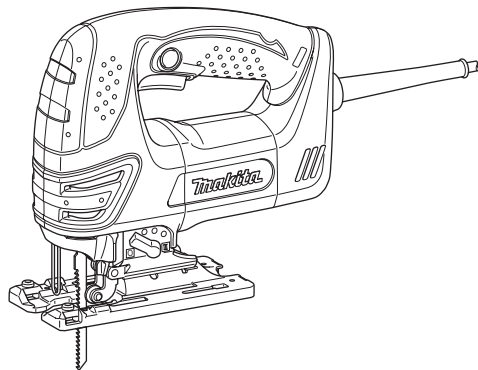




EN	Jig Saw	INSTRUCTION MANUAL	6
ZHCN	曲线锯	使用说明书	12
ID	Gergaji Jig	PETUNJUK PENGGUNAAN	19
MS	Gergaji Jig	MANUAL ARAHAN	26
VI	Máy Cưa Lọng Cầm Tay Hoạt Động Bằng Động Cơ Điện	TÀI LIỆU HƯỚNG DẪN	33
TH	เลื่อยฉลุ	คู่มือการใช้งาน	40

**4350T**  
**4350CT**  
**4350FCT**



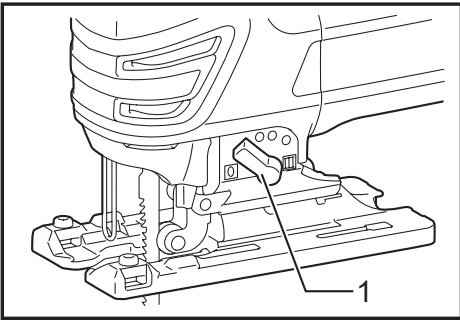


Fig.1

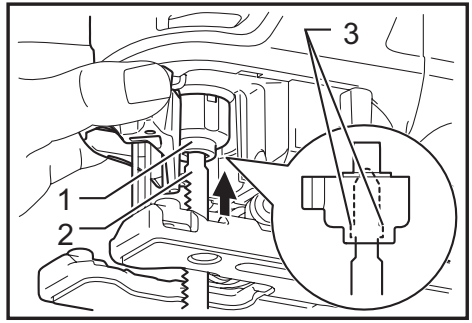


Fig.5

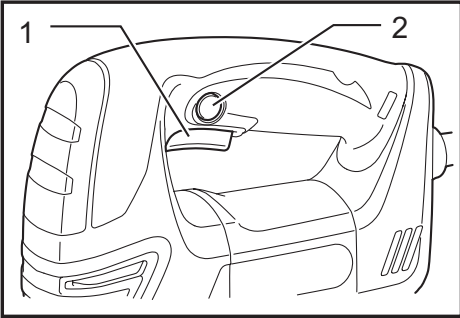


Fig.2

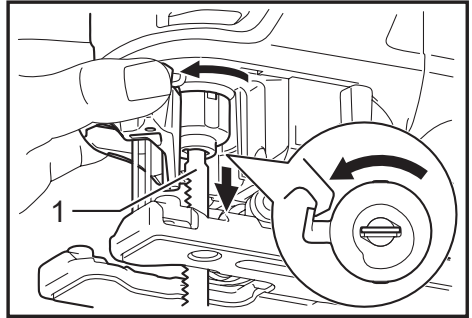


Fig.6

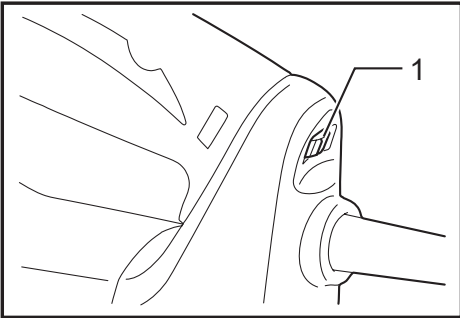


Fig.3

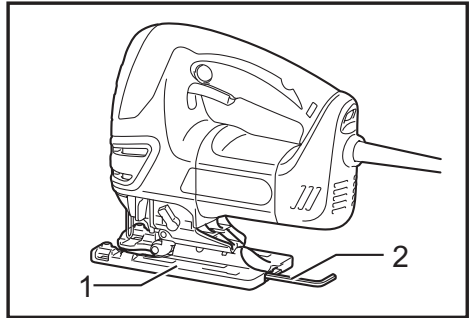


Fig.7

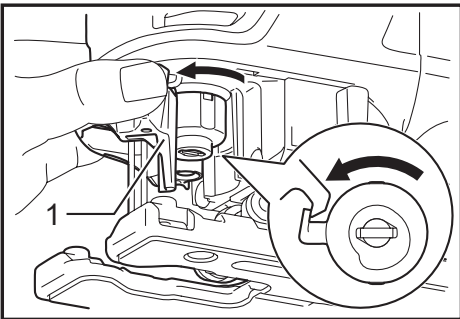


Fig.4

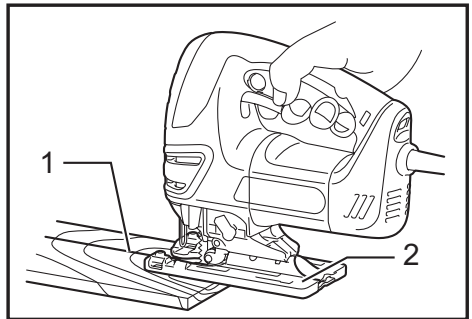


Fig.8

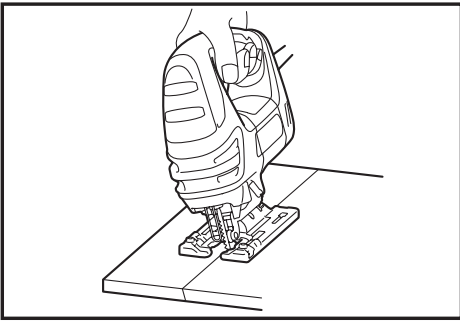


Fig.9

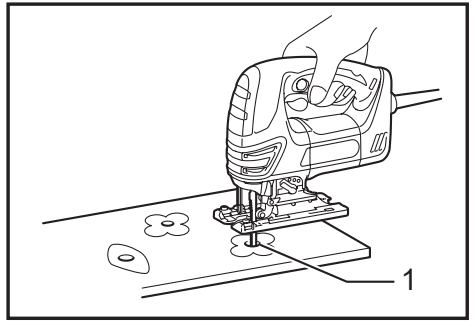


Fig.13

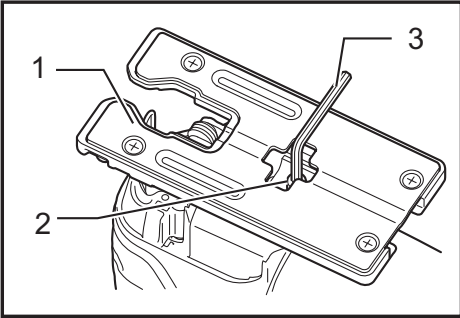


Fig.10

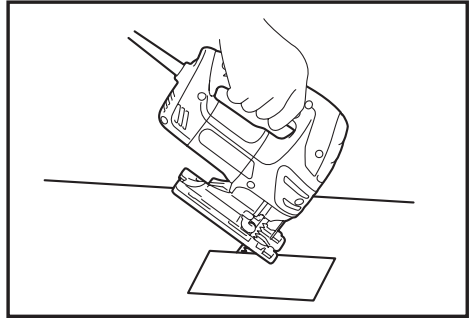


Fig.14

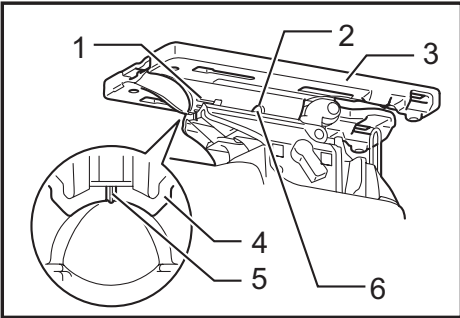


Fig.11

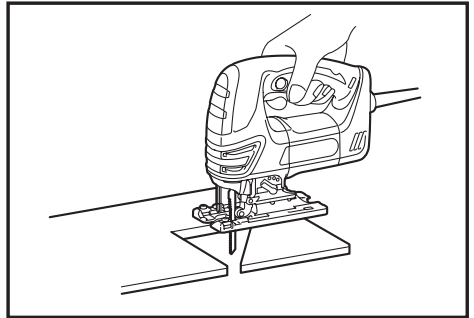


Fig.15

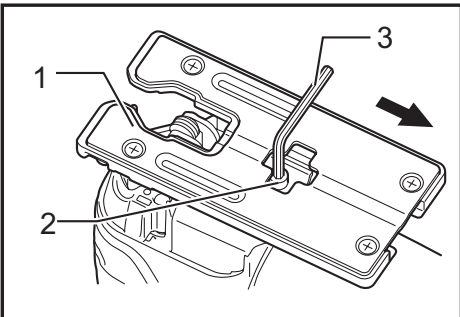


Fig.12

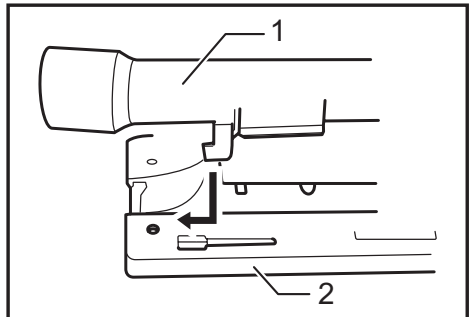


Fig.16

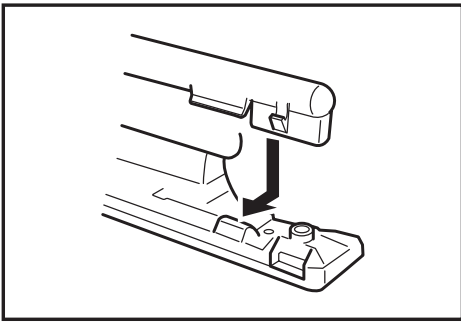


Fig.17

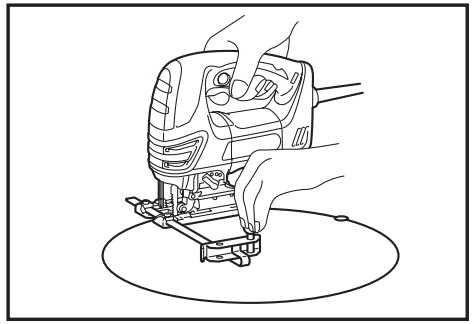


Fig.21

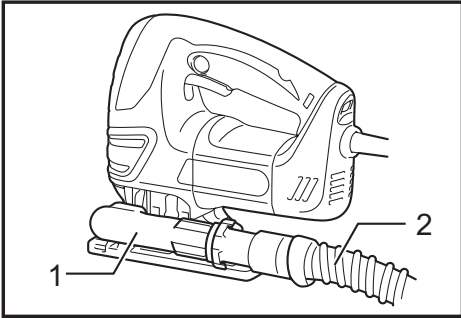


Fig.18

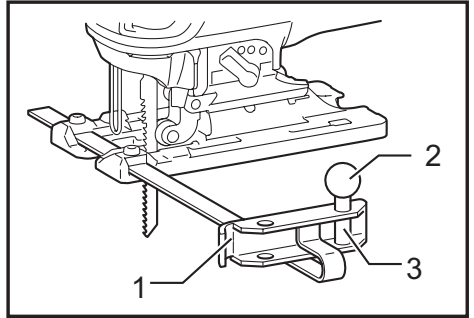


Fig.22

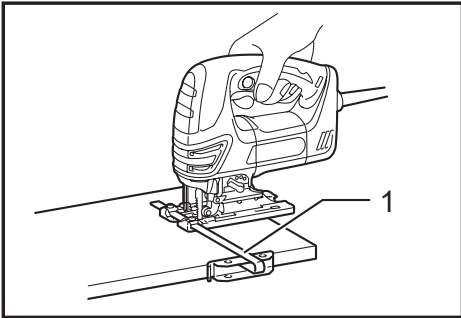


Fig.19

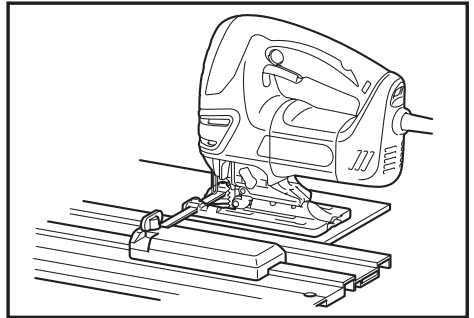


Fig.23

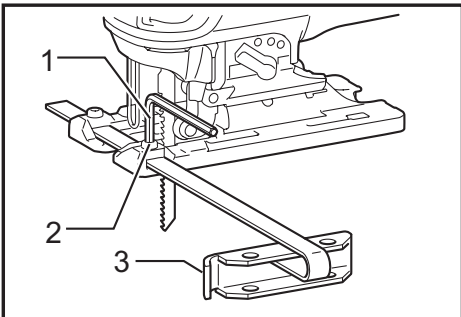


Fig.20

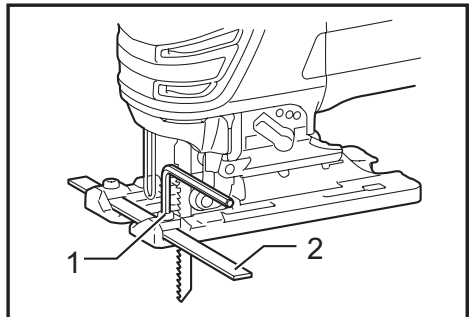


Fig.24

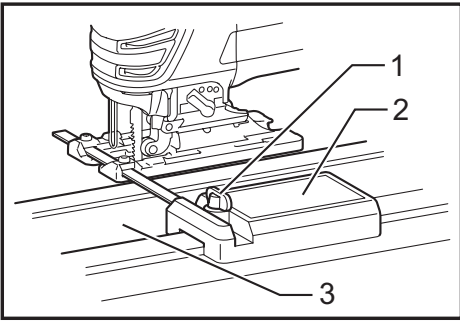


Fig.25

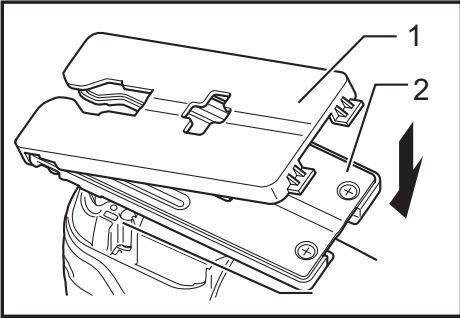


Fig.26

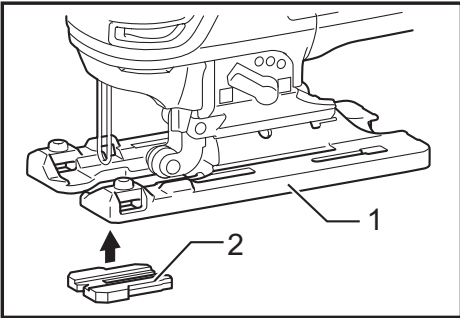


Fig.27




# SPECIFICATIONS

Model		4350T	4350CT	4350FCT
Length of stroke		26 mm	26 mm	26 mm
Max. cutting capacities	Wood	135 mm	135 mm	135 mm
	Steel	10 mm	10 mm	10 mm
	Aluminum	20 mm	20 mm	20 mm
Strokes per minute (min <sup>-1</sup> )		2,800	800 - 2,800	800 - 2,800
Overall length		236 mm	236 mm	236 mm
Net weight		2.7 kg	2.7 kg	2.7 kg
Safety class		□/II		

- Due to our continuing program of research and development, the specifications herein are subject to change without notice.
- Specifications may differ from country to country.
- Weight according to EPTA-Procedure 01/2014

## Symbols

The following show the symbols used for the equipment. Be sure that you understand their meaning before use.

	Read instruction manual.
	DOUBLE INSULATION
	Only for EU countries Do not dispose of electric equipment together with household waste material! In observance of the European Directive, on Waste Electric and Electronic Equipment and its implementation in accordance with national law, electric equipment that have reached the end of their life must be collected separately and returned to an environmentally compatible recycling facility.

### Intended use

The tool is intended for the sawing of wood, plastic and metal materials. As a result of the extensive accessory and saw blade program, the tool can be used for many purposes and is very well suited for curved or circular cuts.

### Power supply

The tool should be connected only to a power supply of the same voltage as indicated on the nameplate, and can only be operated on single-phase AC supply. They are double-insulated and can, therefore, also be used from sockets without earth wire.

## General power tool safety warnings

**⚠ WARNING:** Read all safety warnings, instructions, illustrations and specifications provided with this power tool. Failure to follow all instructions listed below may result in electric shock, fire and/or serious injury.

## Save all warnings and instructions for future reference.

The term "power tool" in the warnings refers to your mains-operated (corded) power tool or battery-operated (cordless) power tool.

### Work area safety

1. **Keep work area clean and well lit.** Cluttered or dark areas invite accidents.
2. **Do not operate power tools in explosive atmospheres, such as in the presence of flammable liquids, gases or dust.** Power tools create sparks which may ignite the dust or fumes.
3. **Keep children and bystanders away while operating a power tool.** Distractions can cause you to lose control.

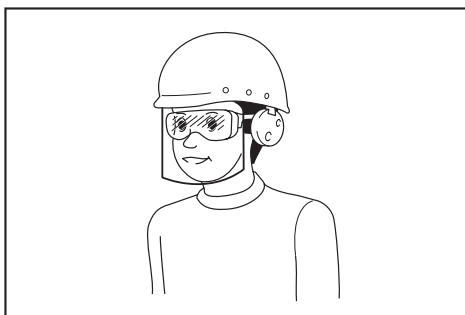
### Electrical safety

1. **Power tool plugs must match the outlet. Never modify the plug in any way. Do not use any adapter plugs with earthed (grounded) power tools.** Unmodified plugs and matching outlets will reduce risk of electric shock.
2. **Avoid body contact with earthed or grounded surfaces, such as pipes, radiators, ranges and refrigerators.** There is an increased risk of electric shock if your body is earthed or grounded.
3. **Do not expose power tools to rain or wet conditions.** Water entering a power tool will increase the risk of electric shock.
4. **Do not abuse the cord. Never use the cord for carrying, pulling or unplugging the power tool. Keep cord away from heat, oil, sharp edges or moving parts.** Damaged or entangled cords increase the risk of electric shock.
5. **When operating a power tool outdoors, use an extension cord suitable for outdoor use.** Use of a cord suitable for outdoor use reduces the risk of electric shock.

6. **If operating a power tool in a damp location is unavoidable, use a residual current device (RCD) protected supply.** Use of an RCD reduces the risk of electric shock.
7. **Use of power supply via an RCD with a rated residual current of 30 mA or less is always recommended.**
8. **Power tools can produce electromagnetic fields (EMF) that are not harmful to the user.** However, users of pacemakers and other similar medical devices should contact the maker of their device and/or doctor for advice before operating this power tool.
9. **Do not touch the power plug with wet hands.**
10. **If the cord is damaged, have it replaced by the manufacturer or his agent in order to avoid a safety hazard.**

#### Personal safety

1. **Stay alert, watch what you are doing and use common sense when operating a power tool. Do not use a power tool while you are tired or under the influence of drugs, alcohol or medication.** A moment of inattention while operating power tools may result in serious personal injury.
2. **Use personal protective equipment. Always wear eye protection.** Protective equipment such as a dust mask, non-skid safety shoes, hard hat or hearing protection used for appropriate conditions will reduce personal injuries.
3. **Prevent unintentional starting. Ensure the switch is in the off-position before connecting to power source and/or battery pack, picking up or carrying the tool.** Carrying power tools with your finger on the switch or energising power tools that have the switch on invites accidents.
4. **Remove any adjusting key or wrench before turning the power tool on.** A wrench or a key left attached to a rotating part of the power tool may result in personal injury.
5. **Do not overreach. Keep proper footing and balance at all times.** This enables better control of the power tool in unexpected situations.
6. **Dress properly. Do not wear loose clothing or jewellery. Keep your hair and clothing away from moving parts.** Loose clothes, jewellery or long hair can be caught in moving parts.
7. **If devices are provided for the connection of dust extraction and collection facilities, ensure these are connected and properly used.** Use of dust collection can reduce dust-related hazards.
8. **Do not let familiarity gained from frequent use of tools allow you to become complacent and ignore tool safety principles.** A careless action can cause severe injury within a fraction of a second.
9. **Always wear protective goggles to protect your eyes from injury when using power tools. The goggles must comply with ANSI Z87.1 in the USA, EN 166 in Europe, or AS/NZS 1336 in Australia/New Zealand. In Australia/New Zealand, it is legally required to wear a face shield to protect your face, too.**



**It is an employer's responsibility to enforce the use of appropriate safety protective equipments by the tool operators and by other persons in the immediate working area.**

#### Power tool use and care

1. **Do not force the power tool. Use the correct power tool for your application.** The correct power tool will do the job better and safer at the rate for which it was designed.
2. **Do not use the power tool if the switch does not turn it on and off.** Any power tool that cannot be controlled with the switch is dangerous and must be repaired.
3. **Disconnect the plug from the power source and/or remove the battery pack, if detachable, from the power tool before making any adjustments, changing accessories, or storing power tools.** Such preventive safety measures reduce the risk of starting the power tool accidentally.
4. **Store idle power tools out of the reach of children and do not allow persons unfamiliar with the power tool or these instructions to operate the power tool.** Power tools are dangerous in the hands of untrained users.
5. **Maintain power tools and accessories. Check for misalignment or binding of moving parts, breakage of parts and any other condition that may affect the power tool's operation. If damaged, have the power tool repaired before use.** Many accidents are caused by poorly maintained power tools.
6. **Keep cutting tools sharp and clean.** Properly maintained cutting tools with sharp cutting edges are less likely to bind and are easier to control.
7. **Use the power tool, accessories and tool bits etc. in accordance with these instructions, taking into account the working conditions and the work to be performed.** Use of the power tool for operations different from those intended could result in a hazardous situation.
8. **Keep handles and grasping surfaces dry, clean and free from oil and grease.** Slippery handles and grasping surfaces do not allow for safe handling and control of the tool in unexpected situations.
9. **When using the tool, do not wear cloth work gloves which may be entangled.** The entanglement of cloth work gloves in the moving parts may result in personal injury.

## Service

1. **Have your power tool serviced by a qualified repair person using only identical replacement parts.** This will ensure that the safety of the power tool is maintained.
2. **Follow instruction for lubricating and changing accessories.**

## Jig saw safety warnings

1. **Hold the power tool by insulated gripping surfaces, when performing an operation where the cutting accessory may contact hidden wiring or its own cord.** Cutting accessory contacting a "live" wire may make exposed metal parts of the power tool "live" and could give the operator an electric shock.
2. **Use clamps or another practical way to secure and support the workpiece to a stable platform.** Holding the workpiece by hand or against your body leaves it unstable and may lead to loss of control.
3. **Always use safety glasses or goggles. Ordinary eye or sun glasses are NOT safety glasses.**
4. **Avoid cutting nails. Inspect workpiece for any nails and remove them before operation.**
5. **Do not cut oversize workpiece.**
6. **Check for the proper clearance beyond the workpiece before cutting so that the blade will not strike the floor, workbench, etc.**
7. **Hold the tool firmly.**
8. **Make sure the blade is not contacting the workpiece before the switch is turned on.**
9. **Keep hands away from moving parts.**
10. **Do not leave the tool running. Operate the tool only when hand-held.**
11. **Always switch off and wait for the blade to come to a complete stop before removing the blade from the workpiece.**
12. **Do not touch the blade or the workpiece immediately after operation; they may be extremely hot and could burn your skin.**
13. **Do not operate the tool at no-load unnecessarily.**
14. **Some material contains chemicals which may be toxic. Take caution to prevent dust inhalation and skin contact. Follow material supplier safety data.**
15. **Always use the correct dust mask/respirator for the material and application you are working with.**

## SAVE THESE INSTRUCTIONS.

**⚠ WARNING:** DO NOT let comfort or familiarity with product (gained from repeated use) replace strict adherence to safety rules for the subject product. MISUSE or failure to follow the safety rules stated in this instruction manual may cause serious personal injury.

## FUNCTIONAL DESCRIPTION

### ⚠ CAUTION:

- Always be sure that the tool is switched off and unplugged before adjusting or checking function on the tool.

## Selecting the cutting action

### ► Fig.1: 1. Cutting action changing lever

This tool can be operated with an orbital or a straight line (up and down) cutting action. The orbital cutting action thrusts the blade forward on the cutting stroke and greatly increases cutting speed.

To change the cutting action, just turn the cutting action changing lever to the desired cutting action position. Refer to the table to select the appropriate cutting action.

Position	Cutting action	Applications
0	Straight line cutting action	For cutting mild steel, stainless steel and plastics. For clean cuts in wood and plywood.
I	Small orbit cutting action	For cutting mild steel, aluminum and hard wood.
II	Medium orbit cutting action	For cutting wood and plywood. For fast cutting in aluminum and mild steel.
III	Large orbit cutting action	For fast cutting in wood and plywood.

## Switch action

### ► Fig.2: 1. Switch trigger 2. Lock button

### ⚠ CAUTION:

- Before plugging in the tool, always check to see that the switch trigger actuates properly and returns to the "OFF" position when released.

To start the tool, simply pull the switch trigger. Release the switch trigger to stop.

For continuous operation, pull the switch trigger and then push in the lock button.

To stop the tool from the locked position, pull the switch trigger fully, then release it.

## Speed adjusting dial

### For 4350CT, 4350FCT

### ► Fig.3: 1. Speed adjusting dial

The tool speed can be infinitely adjusted between 800 and 2,800 strokes per minute by turning the adjusting dial. Higher speed is obtained when the dial is turned in the direction of number 5; lower speed is obtained when it is turned in the direction of number 1.



Refer to the table to select the proper speed for the workpiece to be cut. However, the appropriate speed may differ with the type or thickness of the workpiece. In general, higher speeds will allow you to cut workpieces faster but the service life of the blade will be reduced.

Workpiece to be cut	Number on adjusting dial
Wood	4 - 5
Mild steel	3 - 5
Stainless steel	3 - 4
Aluminum	3 - 5
Plastics	1 - 4

#### **CAUTION:**

- The speed adjusting dial can be turned only as far as 5 and back to 1. Do not force it past 5 or 1, or the speed adjusting function may no longer work.

The tools equipped with electronic function are easy to operate because of the following features.

### Constant speed control

Electronic speed control for obtaining constant speed. Possible to get fine finish, because the rotating speed is kept constant even under load condition.

### Soft start feature

Safety and soft start because of suppressed starting shock.

## Lighting up the lamps

### For 4350FCT only

#### **CAUTION:**

- Do not look in the light or see the source of light directly.

To turn on the lamp, pull the trigger. Release the trigger to turn it off.

#### **NOTE:**

- Use a dry cloth to wipe the dirt off the lens of lamp. Be careful not to scratch the lens of lamp, or it may lower the illumination.

## ASSEMBLY

#### **CAUTION:**

- Always be sure that the tool is switched off and unplugged before carrying out any work on the tool.

## Installing or removing saw blade

#### **CAUTION:**

- Always clean out all chips or foreign matter adhering to the blade and/or blade holder. Failure to do so may cause insufficient tightening of the blade, resulting in a serious personal injury.
- Do not touch the blade or the workpiece immediately after operation; they may be extremely hot and could burn your skin.
- Tighten the saw blade securely. Failure to do so may cause a serious injury.
- When you remove the saw blade, be careful not to hurt your fingers with the top of the blade or the tips of workpiece.

To install the blade, open the tool opener to the position shown in the figure.

► **Fig.4:** 1. Tool opener

Keeping that situation, insert the saw blade into the blade clamp as far as the two protrusions of the blade can not be seen.

► **Fig.5:** 1. Blade clamp 2. Jig saw blade  
3. Protrusions

Return the tool opener to its original position.

After installing, always make sure that the blade is securely held in place by trying to pull it out.

#### **CAUTION:**

- Do not open the tool opener excessively, or it may cause tool damage.

To remove the blade, open the tool opener to the position shown in the figure. Pull the saw blade out toward the base.

► **Fig.6:** 1. Jig saw blade

#### **NOTE:**

- Occasionally lubricate the roller.

## Hex wrench storage

► **Fig.7:** 1. Base 2. Hex wrench

When not in use, the hex wrench can be conveniently stored.

# OPERATION

## ⚠ CAUTION:

- Hold the tool firmly with one hand on the main handle when performing the tool. If necessary, the front part of the tool may be supported by the other hand.
- Always hold the base flush with the workpiece. Failure to do so may cause blade breakage, resulting in a serious injury.

### ► Fig.8: 1. Cutting line 2. Base

Turn the tool on and wait until the blade attains full speed. Then rest the tool base flat on the workpiece and gently move the tool forward along the previously marked cutting line. When cutting curves, advance the tool very slowly.

## Bevel cutting

## ⚠ CAUTION:

- Always be sure that the tool is switched off and unplugged before tilting the base.

With the base tilted, you can make bevel cuts at any angle between 0° and 45° (left or right).

### ► Fig.9

Loosen the bolt on the back of the base with the hex wrench. Move the base so that the bolt is positioned in the center of the bevel slot in the base.

### ► Fig.10: 1. Base 2. Bolt 3. Hex wrench

Tilt the base until the desired bevel angle is obtained. The V-notch of the gear housing indicates the bevel angle by graduations. Then tighten the bolt firmly to secure the base.

### ► Fig.11: 1. Graduation 2. Bevel slot 3. Base 4. Gear housing 5. V-notch 6. Bolt

## Front flush cuts

### ► Fig.12: 1. Base 2. Bolt 3. Hex wrench

Loosen the bolt on the back of the base with the hex wrench and slide the base all the way back. Then tighten the bolt to secure the base.

## Cutouts

Cutouts can be made with either of two methods A or B.

### A) Boring a starting hole:

#### ► Fig.13: 1. Starting hole

For internal cutouts without a lead-in cut from an edge, pre-drill a starting hole 12 mm or more in diameter. Insert the blade into this hole to start your cut.

### B) Plunge cutting:

#### ► Fig.14

You need not bore a starting hole or make a lead-in cut if you carefully do as follows.

- (1) Tilt the tool up on the front edge of the base with the blade point positioned just above the workpiece surface.

- (2) Apply pressure to the tool so that the front edge of the base will not move when you switch on the tool and gently lower the back end of the tool slowly.
- (3) As the blade pierces the workpiece, slowly lower the base of the tool down onto the workpiece surface.
- (4) Complete the cut in the normal manner.

## Finishing edges

### ► Fig.15

To trim edges or make dimensional adjustments, run the blade lightly along the cut edges.

## Metal cutting

Always use a suitable coolant (cutting oil) when cutting metal. Failure to do so will cause significant blade wear. The underside of the workpiece can be greased instead of using a coolant.

## Dust extraction

### ► Fig.16: 1. Dust nozzle 2. Base

### ► Fig.17

The dust nozzle (accessory) is recommended to perform clean cutting operations.

To attach the dust nozzle on the tool, insert the hook of dust nozzle into the hole in the base.

The dust nozzle can be installed on either left or right side of the base.

Then connect a Makita vacuum cleaner to the dust nozzle.

### ► Fig.18: 1. Dust nozzle 2. Hose for vacuum cleaner

## ⚠ CAUTION:

- If you try to remove the dust nozzle forcibly, the hook of the dust nozzle can be diminished and removed unintentionally during operation.

## Rip fence set (optional accessory)

## ⚠ CAUTION:

- Always be sure that the tool is switched off and unplugged before installing or removing accessories.

## 1. Straight cuts

### ► Fig.19: 1. Rip fence

### ► Fig.20: 1. Hex wrench 2. Bolt 3. Fence guide

When repeatedly cutting widths of 160 mm or less, use of the rip fence will assure fast, clean, straight cuts. To install, insert the rip fence into the rectangular hole on the side of the tool base with the fence guide facing down. Slide the rip fence to the desired cutting width position, then tighten the bolt to secure it.

## 2. Circular cuts

### ► Fig.21

#### ► Fig.22: 1. Fence guide 2. Threaded knob 3. Circular guide pin

When cutting circles or arcs of 170 mm or less in radius, install the rip fence as follows. Insert the rip fence into the rectangular hole on the side of the base with the fence guide facing up. Insert the circular guide pin through either of the two holes on the fence guide. Screw the threaded knob onto the pin to secure the pin. Now slide the rip fence to the desired cutting radius, and tighten the bolt to secure it in place. Then move the base all the way forward.

#### NOTE:

- Always use blades No. B-17, B-18, B-26 or B-27 when cutting circles or arcs.

## Guide rail adapter set (accessory)

### ► Fig.23

When cutting parallel and uniform width or cutting straight, the use of the guide rail and the guide rail adapter will assure the production of fast and clean cuts.

To install the guide rail adapter, insert the rule bar into the square hole of the base as far as it goes. Secure the bolt with the hex wrench securely.

#### ► Fig.24: 1. Bolt 2. Rule bar

Install the guide rail adapter on the rail of the guide rail. Insert the rule bar into the square hole of the guide rail adapter. Put the base to the side of the guide rail, and secure the bolt securely.

#### ► Fig.25: 1. Screw 2. Guide rail adapter 3. Guide rail

#### ⚠ CAUTION:

- Always use blades No. B-8, B-13, B-16, B-17 or 58 when using the guide rail and the guide rail adapter.

## Cover plate

### ► Fig.26: 1. Cover plate 2. Base

Use the cover plate when cutting decorative veneers, plastics, etc. It protects sensitive or delicate surfaces from damage. Fit it on the back of the tool base.

## Anti-splintering device

### ► Fig.27: 1. Base 2. Anti-splintering device

For splinter-free cuts, the anti-splintering device can be used. To install the anti-splintering device, move the tool base all the way forward and fit it from the back of tool base. When you use the cover plate, install the anti-splintering device onto the cover plate.

#### ⚠ CAUTION:

- The anti-splintering device cannot be used when making bevel cuts.

# MAINTENANCE

#### ⚠ CAUTION:

- Always be sure that the tool is switched off and unplugged before attempting to perform inspection or maintenance.
- Never use gasoline, benzine, thinner, alcohol or the like. Discoloration, deformation or cracks may result.

To maintain product SAFETY and RELIABILITY, repairs, carbon brush inspection and replacement, any other maintenance or adjustment should be performed by Makita Authorized Service Centers, always using Makita replacement parts.

# OPTIONAL ACCESSORIES

#### ⚠ CAUTION:

- These accessories or attachments are recommended for use with your Makita tool specified in this manual. The use of any other accessories or attachments might present a risk of injury to persons. Only use accessory or attachment for its stated purpose.

If you need any assistance for more details regarding these accessories, ask your local Makita Service Center.

- Jig saw blades
- Hex wrench 4
- Rip fence (guide rule) set
- Guide rail adapter set
- Guide rail set
- Anti-splintering device
- Dust nozzle
- Cover plate
- Hose (For vacuum cleaner)

#### NOTE:

- Some items in the list may be included in the tool package as standard accessories. They may differ from country to country.

## 规格

型号		4350T	4350CT	4350FCT
冲程长度		26 mm	26 mm	26 mm
最大切割能力	木材	135 mm	135 mm	135 mm
	钢材	10 mm	10 mm	10 mm
	铝	20 mm	20 mm	20 mm
冲程速度 (/min)		2,800	800 - 2,800	800 - 2,800
长度		236 mm	236 mm	236 mm
净重		2.7 kg	2.7 kg	2.7 kg
安全等级		回//		

- 生产者保留变更规格不另行通知之权利。
- 规格可能因销往国家之不同而异。
- 重量符合EPTA-Procedure 01/2014

## 符号

以下显示本工具使用的符号。在使用工具之前请务必理解其含义。



阅读使用说明书。



II类工具



仅限于欧盟国家  
请勿将电气设备与家庭普通废弃物一同丢弃！  
请务必遵守欧洲关于废弃电子电气设备的指令，根据各国法律法规执行。达到使用寿命的电气设备必须分类回收至符合环境保护规定的再循环机构。

## 用途

本工具可锯木材、塑料及金属材料。如果与各类附件及锯片结合使用，本工具可以用于各种用途，尤其适合曲线或圆形切割。

## 电源

本工具只可连接电压与铭牌所示电压相同的电源，且仅可使用单相交流电源。本工具双重绝缘，因此也可用于不带接地线的插座。

## 电动工具通用安全警告

**警告：** 阅读随电动工具提供的所有安全警告、说明、图示和规定。不遵照以下所列说明会导致电击、着火和 / 或严重伤害。

## 保存所有警告和说明书以备查阅。

警告中的术语“电动工具”是指市电驱动（有线）电动工具或电池驱动（无线）电动工具。

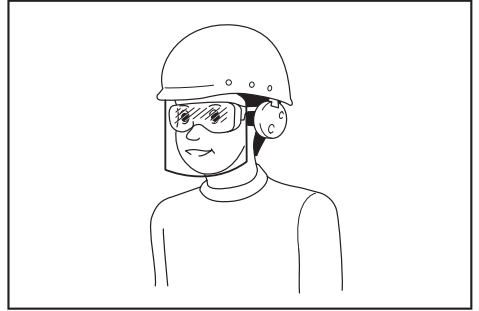
## 工作场地的安全

1. 保持工作场地清洁和明亮。杂乱和黑暗的场地会引发事故。
2. 不要在易爆环境，如有易燃液体、气体或粉尘的环境下操作电动工具。电动工具产生的火花会点燃粉尘或气体。
3. 操作电动工具时，远离儿童和旁观者。注意力不集中会使你失去对工具的控制。

## 电气安全

1. 电动工具插头必须与插座相配。绝不能以任何方式改装插头。需接地的电动工具不能使用任何转换插头。未经改装的插头和相配的插座将降低电击风险。
2. 避免人体接触接地表面，如管道、散热器和冰箱。如果你身体接触接地表面会增加电击风险。

3. 不得将电动工具暴露在雨中或潮湿环境中。水进入电动工具将增加电击风险。
  4. 不得滥用软线。绝不能用软线搬运、拉动电动工具或拔出其插头。使软线远离热源、油、锐边或运动部件。受损或缠绕的软线会增加电击风险。
  5. 当在户外使用电动工具时，使用适合户外使用的延长线。适合户外使用的电线将降低电击风险。
  6. 如果无法避免在潮湿环境中操作电动工具，应使用带有剩余电流装置（RCD）保护的电源。RCD的使用可降低电击风险。
  7. 始终建议通过额定剩余电流为30 mA或以下的RCD来使用电源。
  8. 电动工具会产生对用户无害的电磁场（EMF）。但是，起搏器和其他类似医疗设备的用户应在操作本电动工具前咨询其设备的制造商和/或医生寻求建议。
  9. 请勿用湿手触摸电源插头。
  10. 如果导线破损，则由制造商或其代理商更换以避免安全隐患。
8. 不要因为频繁使用工具而产生的熟悉感而掉以轻心，忽视工具的安全准则。某个粗心的动作可能在瞬间导致严重的伤害。
  9. 使用电动工具时请始终佩戴护目镜以免伤害眼睛。护目镜须符合美国ANSI Z87.1、欧洲EN 166或者澳大利亚/新西兰的AS/NZS 1336的规定。在澳大利亚/新西兰，法律要求佩戴面罩保护脸部。



雇主有责任监督工具操作者和其他近工作区域人员佩戴合适的安全防护设备。

#### 人身安全

1. 保持警觉，当操作电动工具时关注所从事的操作并保持清醒。当你感到疲倦，或在有药物、酒精或治疗反应时，不要操作电动工具。在操作电动工具时瞬间的疏忽会导致严重人身伤害。
  2. 使用个人防护装置。始终佩戴护目镜。防护装置，诸如适当条件下使用防尘面具、防滑安全鞋、安全帽、听力防护等装置能减少人身伤害。
  3. 防止意外起动。在连接电源和/或电池包、拿起或搬运工具前确保开关处于关闭位置。手指放在开关上搬运工具或开关处于接通时通电会导致危险。
  4. 在电动工具接通之前，拿掉所有调节钥匙或扳手。遗留在电动工具旋转零件上的扳手或钥匙会导致人身伤害。
  5. 手不要过分伸展。时刻注意立足点和身体平衡。这样能在意外情况下能更好地控制住电动工具。
  6. 着装适当。不要穿宽松衣服或佩戴饰品。让你的头发和衣服远离运动部件。宽松衣服、佩饰或长发可能会卷入运动部件。
  7. 如果提供了与排屑、集尘设备连接用的装置，要确保其连接完好且使用得当。使用集尘装置可降低尘屑引起的危险。
1. 不要勉强使用电动工具，根据用途使用合适的电动工具。选用合适的按照额定值设计的电动工具会使你工作更有效、更安全。
  2. 如果开关不能接通或切断电源，则不能使用该电动工具。不能通过开关来控制的电动工具是危险的且必须进行修理。
  3. 在进行任何调节、更换附件或贮存电动工具之前，必须从电源上拔掉插头和/或卸下电池包（如可拆卸）。这种防护性的安全措施降低了电动工具意外起动的风险。
  4. 将闲置不用的电动工具贮存在儿童所及范围之外，并且不允许不熟悉电动工具和不了解这些说明的人操作电动工具。电动工具在未经培训的使用者手中是危险的。
  5. 维护电动工具及其附件。检查运动部件是否调整到位或卡住，检查零件破损情况和影响电动工具运行的其他状况。如有损坏，应在使用前修理好电动工具。许多事故是由维护不良的电动工具引发的。
  6. 保持切削刀具锋利和清洁。维护良好地有锋利切削刃的刀具不易卡住而且容易控制。

- 按照使用说明书，并考虑作业条件和要进行的作业来选择电动工具、附件和工具的刀头等。将电动工具用于那些与其用途不符的操作可能会导致危险情况。
- 保持手柄和握持表面干燥、清洁，不得沾有油脂。在意外的情况下，湿滑的手柄不能保证握持的安全和对工具的控制。
- 使用本工具时，请勿佩戴可能会缠结的布质工作手套。布质工作手套卷入移动部件可能会造成人身伤害。

### 维修

- 由专业维修人员使用相同的备件维修电动工具。这将保证所维修的电动工具的安全。
- 上润滑油及更换附件时请遵循本说明书指示。

### 曲线锯安全警告

- 在切割附件可能触及暗线或其自身软线之处进行操作时，要通过绝缘握持面来握持工具。切割附件碰到带电导线会使工具外露的金属零件带电从而使操作者受到电击。
- 请使用螺丝钳或其他可行的方式将工件夹紧并固定在稳定的平台上。手持工件或将工件抵在身上，可能会导致工件摆放不稳，使工具失去控制。
- 请使用安全眼镜或护目镜。普通眼镜或太阳眼镜并非安全眼镜。
- 注意不要切割到铁钉。操作前请检查工件上是否有铁钉并将其清除。
- 请勿切割尺寸过大的工件。
- 切割作业前请检查确认已在工件周围留出合适的间隙，以免切割时锯片接触到地板或工作台等物体。
- 请牢握本工具。
- 打开开关前，请确认锯片未与工件接触。
- 手应远离移动的部件。
- 运行中的工具不可离手放置。只可在手握工具的情况下操作工具。
- 将锯片从工件上取下之前，请务必关闭工具电源并等待锯片完全停止。
- 操作之后，请勿立刻触摸锯片或工件，因为它们可能会非常烫而导致烫伤皮肤。
- 如无必要，请勿在空载状态下操作工具。
- 某些材料含有有毒化学物质。小心不要吸入粉尘，并避免皮肤接触。遵循材料供应商的安全提示。

- 根据您操作的材料及应用，请务必使用正确的防尘面罩/呼吸器。

### 请保留此说明书。

**警告：** 请勿为图方便或因对产品足够熟悉（由于重复使用而获得的经验）而不严格遵循相关产品安全规则。使用不当或不遵循使用说明书中的安全规则会导致严重的人身伤害。

### 功能描述

#### 小心：

- 在调节或检查工具功能之前，请务必关闭工具电源开关并拔出电源插头。

### 选择切割操作

#### ► 图片1：1. 切割操作变换杆

本工具可用于轨道或直线（上下）切割操作。轨道切割操作在切割冲程中向前刺入锯片，极大地增加了切割速度。

要更改切割操作，只需将切割操作变换杆转至所需切割操作的位置即可。请参阅下表，选择正确的切割操作。

位置	切割操作	应用场合
0	直线切割操作	用于切割软钢、不锈钢和塑料。用于木材和夹板的干净切割。
I	小型轨道切割操作	用于切割软钢、铝和硬木。
II	中型轨道切割操作	用于切割木材和夹板。用于快速切割铝和软钢。
III	大型轨道切割操作	用于快速切割木材和夹板。

## 开关操作

► **图片2:** 1. 开关扳机 2. 锁定按钮

### ⚠小心:

- 插上工具电源插头之前, 请务必确认开关扳机能够正常工作, 松开时能回到“OFF”(关闭)位置。

启动工具时, 只要扣动开关扳机即可。松开开关扳机工具即停止。

连续操作时, 扣动开关扳机并按下锁定按钮。要从锁定位置停止工具时, 可将开关扳机扣到底, 然后松开。

## 转速调节刻度盘

### 用于4350CT、4350FCT

► **图片3:** 1. 转速调节刻度盘

转动调节刻度盘可在800和2,800的冲程速度范围内无限调节工具速度。朝数字5方向旋转刻度盘时, 转速递增; 朝数字1方向旋转刻度盘时, 转速递减。

请参阅下表, 为要切割的工件选择合适的速度。但是工件的类型或厚度不同, 所需的速度也可能有所不同。通常冲程速度越快, 切割工件的速度就越快, 但是这会缩短锯片的使用寿命。

要切割的工件	调节刻度盘上的数值
木材	4 - 5
软钢	3 - 5
不锈钢	3 - 4
铝	3 - 5
塑料	1 - 4

### ⚠小心:

- 转速调节刻度盘只能在1和5之间调节。请勿用强力将其拨至超过1或5的位置, 否则调速功能可能会失灵。

本工具配备的电子功能易于操作, 主要有下列特点。

## 恒速控制

为获得恒速而进行的电子速度控制。即使在有负载的情况下亦可保持旋转速度恒定, 从而可实现良好的磨光效果。

## 软启动功能

抑制启动时的振动, 实现安全及软启动。

## 点亮照明灯

### 仅限4350FCT

### ⚠小心:

- 请勿直视灯光或光源。

扣动扳机打开照明灯。松开扳机关闭照明灯。

### 注:

- 请用干布清除灯面上的灰尘。注意不要刮花灯镜面, 否则会降低照明亮度。

## 装配

### ⚠小心:

- 对工具进行任何装配操作前请务必确认机器已关闭且已拔下电源插头。

## 安装或拆卸锯片

### ⚠小心:

- 务必清除全部碎屑以及附着在锯片和 / 或锯片支架上的异物。否则可能会导致锯片紧固不足, 导致严重人身伤害。
- 操作之后, 请勿立刻触摸锯片或工件, 因为它们可能会非常烫而导致烫伤皮肤。
- 请务必紧固锯片。否则可能会导致严重人身伤害。
- 取出锯片时, 请小心手指不要碰到锯片刀锋或工件的尖头, 以免受伤。

安装锯片时, 先打开工具仓门至如图所示的位置。

► **图片4:** 1. 工具仓门

保持工具仓门处于该位置不动, 然后将锯片插入锯片夹中, 直至看不见锯片两侧的凸起部分。

► **图片5:** 1. 锯片夹 2. 曲线锯锯片 3. 凸起部分

将工具仓门恢复至原来位置。

安装之后, 请务必试着拉动锯片, 确认锯片已经固定到位。

### ⚠小心:

- 不要将工具仓门开启过大, 否则可能导致工具受损。

要取下锯片时，先打开工具仓门至如图所示的位置。将锯片朝基座方向拉出。

► **图片6: 1. 曲线锯锯片**

注:

- 偶尔润滑一下车轮。

## 六角扳手的存放

► **图片7: 1. 基座 2. 六角扳手**

不使用时，可以很方便地存放六角扳手。

## 操作

**小心:**

- 操作本工具时请单手紧握主手柄。若有必要，请再用另一只手托住工具前部。
- 务必让基座与工件保持平齐。否则可能会导致锯片破裂，造成严重人身伤害。

► **图片8: 1. 切割线 2. 基座**

启动工具并等待，直至锯片达到全速运转时再进行操作。然后，将工具基座水平轻放在工件上，沿着事先画好的切割线向前移动工具。如果切割表面有起伏的话，适当减慢工具推进速度。

## 斜切角切割

**小心:**

- 倾斜基座前，请务必确认机器已关闭且已拔下电源插头。

基座倾斜后，您可以进行 $0^{\circ}$ 到 $45^{\circ}$ 角之间任意角度（左边或右边）的斜切角切割。

► **图片9**

用六角扳手拧松基座背面的螺栓。移动基座，直到螺栓位于基座上斜槽的中心位置。

► **图片10: 1. 基座 2. 螺栓 3. 六角扳手**

倾斜基座直至达到所需的斜切割角度。齿轮箱上的V形凹槽上标有刻度，可测出斜切割角度。然后再将基座用螺栓拧紧。

► **图片11: 1. 刻度 2. 斜槽 3. 基座 4. 齿轮箱 5. V形凹槽 6. 螺栓**

## 前平齐切割

► **图片12: 1. 基座 2. 螺栓 3. 六角扳手**

用六角扳手将基座背面的螺栓拧松，向后将基座推到底。然后将基座用螺栓拧紧。

## 挖切

通过下面的A或B方法都可以完成挖切操作。

### A) 钻一个起始孔:

► **图片13: 1. 起始孔**

对于内部挖切，如果在边缘没有切割导入点，可以先钻一个直径12 mm以上的起始孔。将锯片插入孔中，然后开始切割作业。

### B) 切入式切割:

► **图片14**

如果按照下列方法认真执行，您不需要钻起始孔或准备切割导入点。

- (1) 将基座后端抬起，同时将基座前端的锯片尖端置于工件表面上方。
- (2) 紧握工具以确保基座前端在您启动工具并慢慢降低工具后端时不会移动。
- (3) 慢慢地降下工具基座，在锯片穿过工件后，将基座落在工件的表面。
- (4) 然后以标准方式完成整个切割过程。

## 边缘修整

► **图片15**

要修整切边或工件进行尺寸调整时，沿切边轻轻移动锯片。

## 金属切割

切割金属时，请务必使用合适的冷却液（切割油）。否则会导致锯片严重磨损。工件的背面可以使用润滑油代替冷却液。

## 除尘

► **图片16: 1. 集尘口 2. 基座**

► **图片17**

如需进行清洁切割操作，建议您使用集尘口（附件）。

在工具上安装集尘口时，将集尘口的挂钩插入基座上的孔即可。

集尘口可安装在基座左右两边任意一侧。然后，将Makita（牧田）集尘器连接至集尘口。

► **图片18: 1. 集尘口 2. 集尘器软管**

**小心:**

- 如果强行拆下集尘口，集尘口的挂钩可能会受损并在操作中意外脱出。



## 切锯导板装置（选购附件）

### ⚠️小心：

- 在安装或拆下附件之前，请务必关闭工具电源开关并拔下电源插头。

### 1. 直线切割

► 图片19: 1. 切锯导板

► 图片20: 1. 六角扳手 2. 螺栓 3. 切锯导板导向板

当重复进行切割宽度为160 mm以下的作业时，使用切锯导板可以快速、清洁、笔直地进行切割。将切锯导板安装、插入工具基座侧的矩形孔时使切锯导板导向板正面朝下。将切锯导板滑至所需切割宽度位置，然后用螺栓拧紧。

### 2. 圆形切割

► 图片21

► 图片22: 1. 切锯导板导向板 2. 螺纹旋钮 3. 圆形导销

切割半径为170 mm以下的圆或者圆弧时，按以下说明安装切锯导板。

将切锯导板插入基座侧的矩形孔时使切锯导板导向板正面朝上。将圆形导销插入切锯导板导向板上的孔（两孔中任意一孔）中。将螺纹旋钮旋入导销以将其固定。

再将切锯导板滑至所需切割半径，然后拧紧螺栓将其紧固到位。然后将基座向前推到底。

### 注：

- 切割圆形或者圆弧时务必使用编号为B-17、B-18、B-26或B-27的锯片。

## 导轨适配器（附件）

► 图片23

当进行平行等宽切割或直线切割时，使用导轨以及导轨适配器可以快速、清洁地完成切割。安装导轨适配器时，将刻度杆完全插入基座上的方形孔中。使用六角扳手拧紧螺栓。

► 图片24: 1. 螺栓 2. 刻度杆

在导杆的轨道上安装导轨适配器。将刻度杆插入导轨适配器上的方形孔中。将基座至于导轨的一侧并拧紧螺栓。

► 图片25: 1. 螺丝 2. 导轨适配器 3. 导轨

### ⚠️小心：

- 使用导轨和导轨适配器时务必使用编号为B-8、B-13、B-16、B-17或58的锯片。

## 盖板

► 图片26: 1. 盖板 2. 基座

在切割装饰板、塑料等材料时使用盖板，可以保护易损或易碎材料表面在切割过程中免遭破坏。将它装在工具基座的背面。

## 防裂片设备

► 图片27: 1. 基座 2. 防裂片设备

如果不希望切割时产生裂片，可使用防裂片设备。安装防裂片设备时，将工具基座向前推到底，然后将防裂片设备装在工具基座的背面。如果同时使用盖板的话，就将防裂片设备安装于盖板上。

### ⚠️小心：

- 防裂片设备不能用于斜切角切割。

## 保养

### ⚠️小心：

- 检查或保养工具之前，请务必关闭工具电源开关并拔下插头。
- 切勿使用汽油、苯、稀释剂、酒精或类似物品清洁工具。否则可能会导致工具变色、变形或出现裂缝。

为了保证产品的安全性与可靠性，任何维修、碳刷检查、更换部件或其它维修保养工作需由Makita（牧田）授权服务中心完成。务必使用Makita（牧田）的替换部件。

## 选购附件

### 小心：

- 这些附件或装置专用于本说明书所列的 **Makita**（牧田）电动工具。其他附件或装置的使用可能会有人身伤害风险。仅可将附件或装置用于规定目的。

如您需要了解更多关于这些选购附件的信息，请咨询当地的 **Makita**（牧田）维修服务中心。

- 曲线锯锯片
- 4号六角扳手
- 切锯导板（导尺）装置
- 导轨适配器装置
- 导轨装置
- 防裂片设备
- 集尘口
- 盖板
- 软管（集尘器用）

### 注：

- 本列表中的一些部件可能作为标准配件包含于工具包装内。它们可能因销往国家之不同而异。

## SPESIFIKASI

Model		4350T	4350CT	4350FCT
Panjang langkah		26 mm	26 mm	26 mm
Kapasitas pemotongan maks.	Kayu	135 mm	135 mm	135 mm
	Baja	10 mm	10 mm	10 mm
	Aluminium	20 mm	20 mm	20 mm
Langkah per menit (min <sup>-1</sup> )		2.800	800 - 2.800	800 - 2.800
Panjang keseluruhan		236 mm	236 mm	236 mm
Berat bersih		2,7 kg	2,7 kg	2,7 kg
Kelas keamanan		□/II		

- Karena kesinambungan program penelitian dan pengembangan kami, spesifikasi yang disebutkan di sini dapat berubah tanpa pemberitahuan.
- Spesifikasi dapat berbeda dari satu negara ke negara lainnya.
- Berat menurut Prosedur EPTA 01/2014

## Simbol

Berikut ini adalah simbol-simbol yang digunakan pada peralatan ini. Pastikan Anda memahami arti masing-masing simbol sebelum menggunakan alat.



Baca petunjuk penggunaan.



ISOLASI GANDA



Hanya untuk negara Uni Eropa  
Jangan membuang peralatan listrik bersama dengan material limbah rumah tangga!

Dengan memerhatikan Direktif Eropa tentang Limbah Peralatan Listrik dan Elektronik serta pelaksanaannya sesuai dengan ketentuan hukum nasional, peralatan listrik yang telah habis masa pakainya harus dikumpulkan secara terpisah dan dikembalikan ke fasilitas daur ulang yang kompatibel dengan lingkungan.

## Penggunaan yang dimaksudkan

Mesin ini digunakan untuk menggergaji kayu, plastik dan bahan logam. Sebagai hasil dari aksesoris tambahan dan program mata gergaji, mesin dapat digunakan untuk banyak tujuan dan sangat sesuai untuk potongan lengkung atau bundar.

## Pasokan daya

Mesin harus terhubung dengan pasokan daya listrik yang bervoltase sama dengan yang tertera pada pelat nama, dan hanya dapat dijalankan dengan listrik AC fase tunggal. Mesin diisolasi ganda sehingga dapat juga dihubungkan dengan soket tanpa kabel arde.

## Peringatan keselamatan umum mesin listrik

**⚠️ PERINGATAN:** Bacalah semua peringatan keselamatan, petunjuk, ilustrasi dan spesifikasi yang disertakan bersama mesin listrik ini. Kelalaian untuk mematuhi semua petunjuk yang tercantum di bawah ini dapat menyebabkan sengatan listrik, kebakaran dan/atau cedera serius.

## Simpanlah semua peringatan dan petunjuk untuk acuan di masa depan.

Istilah "mesin listrik" dalam semua peringatan mengacu pada mesin listrik yang dijalankan dengan sumber listrik jala-jala (berkabel) atau baterai (tanpa kabel).

### Keselamatan tempat kerja

1. **Jaga tempat kerja selalu bersih dan berpenerangan cukup.** Tempat kerja yang berantakan dan gelap mengundang kecelakaan.
2. **Jangan gunakan mesin listrik dalam lingkungan yang mudah meledak, misalnya jika ada cairan, gas, atau debu yang mudah menyala.** Mesin listrik menimbulkan bunga api yang dapat menyalaakan debu atau uap tersebut.
3. **Jauhkan anak-anak dan orang lain saat menggunakan mesin listrik.** Bila perhatian terpecah, anda dapat kehilangan kendali.

### Keamanan Kelistrikan

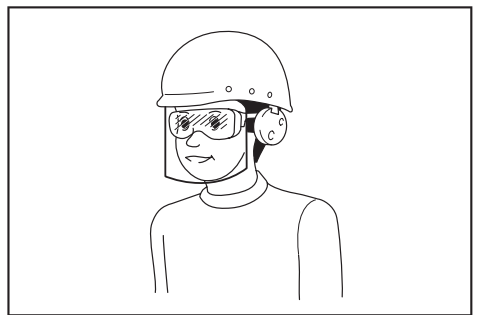
1. **Steker mesin listrik harus cocok dengan stopkontak. Jangan sekali-kali mengubah steker dengan cara apa pun. Jangan menggunakan steker adaptor dengan mesin listrik terbumi (dibumikan).** Steker yang tidak diubah dan stopkontak yang cocok akan mengurangi risiko sengatan listrik.

2. **Hindari sentuhan tubuh dengan permukaan terbumi atau yang dibumikan seperti pipa, radiator, kompor, dan kulkas.** Risiko sengatan listrik bertambah jika tubuh Anda terbumikan atau dibumikan.
3. **Jangan membiarkan mesin listrik kehujanan atau kebasahan.** Air yang masuk ke dalam mesin listrik akan meningkatkan risiko sengatan listrik.
4. **Jangan menyalahgunakan kabel.** Jangan sekali-kali menggunakan kabel untuk membawa, menarik, atau mencabut mesin listrik dari stopkontak. Jauhkan kabel dari panas, minyak, tepian tajam, atau bagian yang bergerak. Kabel yang rusak atau kusut memperbesar risiko sengatan listrik.
5. **Bila menggunakan mesin listrik di luar ruangan, gunakan kabel ekstensi yang sesuai untuk penggunaan di luar ruangan.** Penggunaan kabel yang sesuai untuk penggunaan luar ruangan mengurangi risiko sengatan listrik.
6. **Jika mengoperasikan mesin listrik di lokasi lembap tidak terhindarkan, gunakan pasokan daya yang dilindungi peranti imbasan arus (residual current device - RCD).** Penggunaan RCD mengurangi risiko sengatan listrik.
7. **Penggunaan pasokan daya melalui RCD dengan kapasitas arus sisa 30 mA atau kurang selalu dianjurkan.**
8. **Mesin listrik dapat menghasilkan medan magnet (EMF) yang tidak berbahaya bagi pengguna.** Namun, pengguna alat pacu jantung atau peralatan medis sejenisnya harus berkonsultasi dengan produsen peralatan tersebut dan/atau dokter mereka sebelum mengoperasikan mesin listrik ini.
9. **Jangan menyentuh colokan daya dengan tangan basah.**
10. **Jika kabel rusak, penggantian harus dilakukan oleh produsen atau agennya untuk menghindari bahaya keselamatan.**

#### **Keselamatan Diri**

1. **Jaga kewaspadaan, perhatikan pekerjaan Anda dan gunakan akal sehat bila menggunakan mesin listrik.** Jangan menggunakan mesin listrik saat Anda lelah atau di bawah pengaruh obat bius, alkohol, atau obat. Sekejap saja lalai saat menggunakan mesin listrik dapat menyebabkan cedera badan serius.
2. **Gunakan alat pelindung diri.** Selalu gunakan pelindung mata. Peralatan pelindung seperti masker debu, sepatu pengaman anti-selip, helm pengaman, atau pelindung telinga yang digunakan untuk kondisi yang sesuai akan mengurangi risiko cedera badan.
3. **Cegah penyalaan yang tidak disengaja.** Pastikan bahwa sakelar berada dalam posisi mati (off) sebelum menghubungkan mesin ke sumber daya dan/atau paket baterai, atau mengangkat atau membawanya. Membawa mesin listrik dengan jari Anda pada sakelarnya atau mengalirkan listrik pada mesin listrik yang sakelarnya hidup (on) akan mengundang kecelakaan.

4. **Lepaskan kunci-kunci penyetel sebelum menghidupkan mesin listrik.** Kunci-kunci yang masih terpasang pada bagian mesin listrik yang berputar dapat menyebabkan cedera.
5. **Jangan meraih terlalu jauh. Jagalah pijakan dan keseimbangan sepanjang waktu.** Hal ini memungkinkan kendali yang lebih baik atas mesin listrik dalam situasi yang tidak diharapkan.
6. **Kenakan pakaian yang memadai. Jangan memakai pakaian yang longgar atau perhiasan. Jaga jarak antara rambut dan pakaian Anda dengan komponen mesin yang bergerak.** Pakaian yang longgar, perhiasan, atau rambut yang panjang dapat tersangkut pada komponen yang bergerak.
7. **Jika tersedia fasilitas untuk menghisap dan mengumpulkan debu, pastikan fasilitas tersebut terhubung listrik dan digunakan dengan baik.** Penggunaan pembersih debu dapat mengurangi bahaya yang terkait dengan debu.
8. **Jangan sampai Anda lengah dan mengabaikan prinsip keselamatan mesin ini hanya karena sudah sering mengoperasikannya dan sudah merasa terbiasa.** Tindakan yang lalai dapat menyebabkan cedera berat dalam sepersekian detik saja.
9. **Selalu kenakan kacamata pelindung untuk melindungi mata dari cedera saat menggunakan mesin listrik.** Kacamata harus sesuai dengan ANSI Z87.1 di Amerika Serikat, EN 166 di Eropa, atau AS/NZS 1336 di Australia/Selandia Baru. Di Australia/Selandia Baru, secara hukum Anda juga diwajibkan mengenakan pelindung wajah untuk melindungi wajah Anda.



**Menjadi tanggung jawab atasan untuk menerapkan penggunaan alat pelindung keselamatan yang tepat bagi operator mesin dan orang lain yang berada di area kerja saat itu.**

#### **Penggunaan dan pemeliharaan mesin listrik**

1. **Jangan memaksa mesin listrik.** Gunakan mesin listrik yang tepat untuk keperluan Anda. Mesin listrik yang tepat akan menuntaskan pekerjaan dengan lebih baik dan aman pada kecepatan sesuai rancangannya.
2. **Jangan gunakan mesin listrik jika sakelar tidak dapat menyalakan dan mematikannya.** Mesin listrik yang tidak dapat dikendalikan dengan sakelarnya adalah berbahaya dan harus diperbaiki.

3. Cabut steker dari sumber listrik dan/atau lepas paket baterai, jika dapat dilepas, dari mesin listrik sebelum melakukan penyetelan apa pun, mengganti aksesoris, atau menyimpan mesin listrik. Langkah keselamatan preventif tersebut mengurangi risiko hidupnya mesin secara tak sengaja.
4. Simpan mesin listrik jauh dari jangkauan anak-anak dan jangan biarkan orang yang tidak paham mengenai mesin listrik tersebut atau petunjuk ini menggunakan mesin listrik. Mesin listrik sangat berbahaya di tangan pengguna yang tak terlatih.
5. Rawatlah mesin listrik dan aksesoris. Periksa apakah ada komponen bergerak yang tidak lurus atau macet, komponen yang pecah, dan kondisi-kondisi lain yang dapat memengaruhi pengoperasian mesin listrik. Jika rusak, perbaiki dahulu mesin listrik sebelum digunakan. Banyak kecelakaan disebabkan oleh kurangnya pemeliharaan mesin listrik.
6. Jaga agar mesin pemotong tetap tajam dan bersih. Mesin pemotong yang terawat baik dengan mata pemotong yang tajam tidak mudah macet dan lebih mudah dikendalikan.
7. Gunakan mesin listrik, aksesoris, dan mata mesin, dll. sesuai dengan petunjuk ini, dengan memperhitungkan kondisi kerja dan jenis pekerjaan yang dilakukan. Penggunaan mesin listrik untuk penggunaan yang lain dari peruntukan dapat menimbulkan situasi berbahaya.
8. Jagalah agar gagang dan permukaan pegangan tetap kering, bersih, dan bebas dari minyak dan pelumas. Gagang dan permukaan pegangan yang licin tidak mendukung keamanan penanganan dan pengendalian mesin dalam situasi-situasi tak terduga.
9. Ketika menggunakan mesin, jangan menggunakan sarung tangan kain yang dapat tersangkut. Sarung tangan kain yang tersangkut pada komponen bergerak dapat mengakibatkan cedera pada pengguna.
2. Gunakan klem atau cara praktis lainnya untuk mengikat dan menahan benda kerja pada posisi yang stabil. Menahan benda kerja dengan tangan atau berada pada posisi berlawanan dengan badan Anda membuat benda kerja tidak stabil dan dapat menyebabkan kehilangan kendali.
3. Selalu gunakan kaca mata pengaman atau kaca mata pelindung. Kaca mata biasa atau kaca mata hitam BUKANLAH kaca mata pengaman.
4. Hindari memotong paku. Periksa apakah terdapat paku di benda kerja dan buang semua paku sebelum pengoperasian.
5. Jangan memotong benda kerja terlalu besar.
6. Periksa apakah jarak di luar benda kerja sudah tepat sebelum memotong sehingga mata pisau tidak akan menabrak lantai, meja kerja, dll.
7. Pegang mesin kuat-kuat.
8. Pastikan bahwa mata pisau tidak menyentuh benda kerja sebelum sakelar dinyalakan.
9. Jauhkan tangan dari bagian yang berputar.
10. Jangan tinggalkan mesin dalam keadaan hidup. Jalankan mesin hanya ketika digenggam tangan.
11. Selalu matikan dan tunggu sampai mata pisau benar-benar berhenti sebelum melepas mata pisau dari benda kerja.
12. Jangan menyentuh mata pisau atau benda kerja segera setelah pengoperasian; suhunya mungkin masih sangat panas dan dapat membakar kulit Anda.
13. Jangan mengoperasikan mesin tanpa beban dengan tanpa keperluan.
14. Bahan tertentu mengandung zat kimia yang mungkin beracun. Hindari menghirup debu dan persentuhan dengan kulit. Ikuti data keselamatan bahan dari pemasok.
15. Selalu gunakan masker debu/alat pernafasan yang tepat sesuai bahan dan pekerjaan yang sedang Anda kerjakan.

#### Servis

1. Berikan mesin listrik untuk diperbaiki hanya kepada oleh teknisi yang berkualifikasi dengan menggunakan hanya suku cadang pengganti yang serupa. Hal ini akan menjamin terjaganya keamanan mesin listrik.
2. Patuhi petunjuk pelumasan dan penggantian aksesoris.

### Peringatan keselamatan gergaji jig

1. Pegang mesin listrik pada permukaan genggam yang terisolasi saat melakukan pekerjaan bila mesin pemotong mungkin bersentuhan dengan kawat tersembunyi atau kabelnya sendiri. Aksesoris pemotong yang menyentuh kawat "hidup" dapat menyebabkan bagian logam pada mesin teraliri arus listrik dan menengat pengguna.

### SIMPAN PETUNJUK INI.

**⚠️ PERINGATAN:** JANGAN biarkan kenyamanan atau terbiasanya Anda dengan produk (karena penggunaan berulang) mengurangi kepatuhan yang ketat terhadap aturan keselamatan untuk produk yang terkait. PENYALAHGUNAAN atau kelalaian mematuhi kaidah keselamatan yang tertera dalam petunjuk ini dapat menyebabkan cedera badan serius.

# DESKRIPSI FUNGSI

## ⚠️ PERHATIAN:

- Selalu pastikan bahwa mesin dalam keadaan mati dan steker tercabut sebelum menyetel atau memeriksa kerja mesin.

## Memilih gerak pemotongan

### ► Gbr.1: 1. Tuas pengubah gerak pemotongan

Mesin ini dapat dioperasikan dengan gerak pemotongan sejajar atau edar (naik dan turun). Tindakan pemotongan orbital mendorong mata pisau ke depan pada langkah pemotongan dan sangat meningkatkan kecepatan pemotongan. Untuk mengubah gerak pemotongan, putar tuas pengubah gerak pemotongan ke posisi gerak pemotongan yang diinginkan. Silakan mengacu pada tabel untuk memilih gerak pemotongan yang tepat.

Posisi	Gerak pemotongan	Aplikasi
0	Gerak pemotongan sejajar	Untuk pemotongan baja lunak, baja tahan karat, dan plastik. Untuk potongan bersih di kayu dan tripleks.
I	Gerak pemotongan edar kecil	Untuk pemotongan baja lunak, aluminium, dan kayu keras.
II	Gerak pemotongan edar medium	Untuk pemotongan kayu dan tripleks. Untuk pemotongan cepat pada aluminium dan baja lunak.
III	Gerak pemotongan edar besar	Untuk pemotongan cepat pada kayu dan tripleks.

## Kerja sakelar

### ► Gbr.2: 1. Pelatuk sakelar 2. Tombol kunci

## ⚠️ PERHATIAN:

- Sebelum memasukkan steker, selalu pastikan pelatuk sakelar berfungsi dengan baik dan kembali ke posisi "MATI" saat dilepas.

Untuk menjalankan mesin, cukup tarik pelatuk sakelar. Lepaskan pelatuk sakelar untuk berhenti. Untuk penggunaan terus-menerus, tarik pelatuk sakelar dan kemudian tekan tombol kunci. Untuk membuka penguncian mesin, tarik pelatuk sakelar sampai penuh, lalu lepaskan.

# Sakelar penyetel kecepatan

## Untuk 4350CT, 4350FCT

### ► Gbr.3: 1. Sakelar penyetel kecepatan

Kecepatan mesin bisa disetel tidak terbatas antara 800 dan 2.800 langkah per menit dengan memutar sakelar penyetel. Kecepatan yang lebih tinggi diperoleh jika sakelar diputar ke arah angka 5; kecepatan yang lebih rendah diperoleh jika diputar ke arah angka 1. Lihat tabel untuk memilih kecepatan yang tepat untuk benda kerja yang akan dipotong. Namun, kecepatan yang sesuai mungkin berbeda pada jenis atau ketebalan benda kerja. Pada umumnya, kecepatan yang lebih tinggi akan memungkinkan Anda memotong benda kerja lebih cepat namun masa pakai mata pisau akan berkurang.

Benda kerja yang akan dipotong	Angka pada sakelar penyetel
Kayu	4 - 5
Baja lunak	3 - 5
Baja tahan karat	3 - 4
Aluminium	3 - 5
Plastik	1 - 4

## ⚠️ PERHATIAN:

- Sakelar penyetel kecepatan dapat diputar sampai maksimum angka 5 dan kembali ke 1. Jangan dipaksa melewati angka 5 atau 1, karena fungsi penyetelan kecepatan bisa tidak berfungsi lagi.

Mesin yang dilengkapi dengan fungsi elektronik mudah dioperasikan karena memiliki fitur-fitur berikut ini.

## Kontrol kecepatan konstan

Kontrol kecepatan elektronik untuk memperoleh kecepatan yang konstan. Memungkinkan untuk memperoleh pengerjaan akhir yang halus, karena kecepatan putaran dipertahankan secara konstan meskipun dalam kondisi diberi beban.

## Fitur awal pengerjaan lembut

Awal pengerjaan yang aman dan lembut karena adanya peredaman kejutan awal.

## Menyalakan lampu

## Hanya untuk 4350FCT

## ⚠️ PERHATIAN:

- Jangan melihat ke arah lampu atau sumber cahaya secara langsung.

Untuk menyalakan lampu, tarik pelatuk sakelar. Lepaskan pelatuk untuk mematikan.

## CATATAN:

- Gunakan kain kering untuk mengelap kotoran dari lensa lampu. Berhati-hatilah agar tidak menggores lensa lampu, karena dapat menurunkan tingkat penerangannya.

# PERAKITAN

## ⚠️ PERHATIAN:

- Pastikan bahwa mesin dalam keadaan mati dan steker tercabut sebelum melakukan pekerjaan apa pun pada mesin.

## Memasang dan melepas mata gergaji

### ⚠️ PERHATIAN:

- Selalu bersihkan serpihan atau benda asing yang melekat pada mata pisau dan/atau pemegang mata pisau. Kelalaian dalam melakukannya dapat mengakibatkan mata pisau tidak terpasang dengan kencang, yang dapat mengakibatkan cedera diri serius.
- Jangan menyentuh mata pisau atau benda kerja segera setelah pengoperasian; suhunya mungkin masih sangat panas dan dapat membakar kulit Anda.
- Kencangkan mata gergaji secara kuat. Kelalaian untuk melakukan hal ini dapat mengakibatkan cedera berat.
- Ketika Anda melepaskan mata gergaji, berhati-hatilah jangan sampai melukai jari Anda dengan bagian atas mata pisau atau ujung benda kerja.

Untuk memasang mata pisau, buka pembuka mesin ke posisi yang ditunjukkan pada gambar.

► **Gbr.4:** 1. Pembuka mesin

Dengan mempertahankan situasi tersebut, masukkan mata gergaji ke dalam klem mata pisau hingga dua tonjolan mata pisau tidak terlihat.

► **Gbr.5:** 1. Klem mata pisau 2. Mata gergaji jig 3. Tonjolan

Kembalikan pembuka mesin ke posisi aslinya.

Setelah memasang, selalu pastikan bahwa mata pisau mesin benar-benar terpasang pada tempatnya dengan mencoba menariknya keluar.

### ⚠️ PERHATIAN:

- Jangan membuka pembuka mesin secara berlebihan, karena tindakan tersebut dapat menyebabkan kerusakan mesin.

Untuk melepas mata pisau, buka pembuka mesin ke posisi yang ditunjukkan pada gambar. Tarik mata gergaji ke arah dudukan.

► **Gbr.6:** 1. Mata gergaji jig

### CATATAN:

- Lumasi rol secara berkala.

## Penyimpanan kunci L

► **Gbr.7:** 1. Dudukan 2. Kunci L

Saat tidak digunakan, kunci L dapat disimpan dengan mudah.

# PENGOPERASIAN

## ⚠️ PERHATIAN:

- Pegang mesin kuat-kuat dengan satu tangan pada pegangan utama ketika menjalankan mesin. Jika diperlukan, bagian depan mesin dapat ditopang dengan tangan yang lain.
- Selalu pegang dukungan benam dengan benda kerja. Kelalaian dalam mengoperasikannya dapat menyebabkan pecahnya mata pisau, yang akan mengakibatkan cedera serius.

► **Gbr.8:** 1. Garis pemotongan 2. Dudukan

Nyalakan mesin dan tunggu sampai mata pisau mesin mencapai kecepatan penuh. Kemudian letakkan dudukan mesin mendarat di benda kerja dan perlahan gerakkan mesin ke depan mengikuti garis pemotongan yang telah ditandai sebelumnya. Saat memotong kurva, gerakkan mesin ke depan perlahan.

## Pemotongan siku-siku

### ⚠️ PERHATIAN:

- Selalu pastikan bahwa mesin sudah dimatikan dan dicabut stekernya memiringkan dudukan.

Dengan dudukan yang dimiringkan, Ana dapat melakukan pemotongan sudut siku-siku di sudut mana pun antara 0° dan 45° (kiri atau kanan).

► **Gbr.9**

Kendurkan baut di bagian belakang dudukan dengan kunci L. Pindahkan dudukan sehingga baut terletak di tengah slot siku-siku di dudukan.

► **Gbr.10:** 1. Dudukan 2. Baut 3. Kunci L

Miringkan dudukan hingga sudut siku-siku yang diinginkan tercapai. Takik V pada rumahan gir mengindikasikan sudut siku-siku dengan skala. Kemudian kencangkan baut secara kuat untuk mengencangkan dudukan.

► **Gbr.11:** 1. Skala 2. Slot siku-siku 3. Dudukan 4. Rumahan gir 5. Takik V 6. Baut

## Potongan benam depan

► **Gbr.12:** 1. Dudukan 2. Baut 3. Kunci L

Kendurkan baut di belakang dudukan dengan kunci L dan geser dudukan jauh ke belakang. Kemudian kencangkan baut untuk mengencangkan dudukan.

## Potongan

Potongan dapat dibuat dengan dua metode A atau B.

## A) Mengebor lubang awal:

► **Gbr.13:** 1. Lubang awal

Untuk potongan internal tanpa potongan pemandu dari tepi, bor terlebih dahulu lubang awal berdiameter 12 mm atau lebih. Masukkan mata pisau ke dalam lubang ini untuk memulai pemotongan Anda.

## B) Pemotongan plunge:

### ► Gbr.14

Anda tidak perlu mengebor lubang awal atau membuat potongan pemandu jika Anda melakukan hal berikut secara berhati-hati.

- (1) Miringkan mesin ke tepian depan dudukan dengan titik mata pisau terletak di atas permukaan benda kerja.
- (2) Beri tekanan pada mesin sehingga tepi depan dudukan tidak akan bergerak ketika Anda menyalakan mesin dan perlahan turunkan bagian belakang mesin.
- (3) Sementara mata pisau menembus benda kerja, perlahan turunkan dudukan mesin ke permukaan benda kerja.
- (4) Selesaikan pemotongan dengan normal.

## Pengerjaan akhir tepi

### ► Gbr.15

Untuk memangkas tepian atau membuat penyetelan dimensi, jalankan mata pisau dengan ringan di tepi pemotongan.

## Pemotongan logam

Selalu gunakan pendingin (minyak pemotong) yang sesuai saat memotong logam. Kelalaian dalam melakukannya akan menyebabkan keausan signifikan pada mata pisau. Sisi bawah benda kerja lebih baik dilumasi gemuk daripada menggunakan pendingin.

## Pengumpulan debu

### ► Gbr.16: 1. Nosel debu 2. Dudukan

### ► Gbr.17

Nosel debu (aksesori) disarankan untuk melakukan operasi pemotongan yang bersih. Untuk memasang nosel debu pada mesin, masukkan kait nosel debu ke dalam lubang di dudukan. Nosel debu dapat dipasang baik di sisi kiri atau kanan dudukan.

Lalu sambungkan pengisap debu Makita ke nosel debu.

### ► Gbr.18: 1. Nosel debu 2. Selang untuk pengisap debu

### **PERHATIAN:**

- Jika Anda mencoba mengeluarkan nosel debu secara paksa, kait nosel debu dapat berkurang dan terlepas secara tidak sengaja selama pengoperasian.

## Set pembatas belahan (aksesori opsional)

### **PERHATIAN:**

- Pastikan mesin dalam keadaan mati dan steker telah dicabut, sebelum memasang atau melepas aksesori.

## 1. Potongan lurus

### ► Gbr.19: 1. Pembatas belahan

### ► Gbr.20: 1. Kunci L 2. Baut 3. Pemandu pembatas

Ketika berulang kali memotong dengan lebar 160 mm atau kurang, penggunaan pembatas belahan akan memastikan pemotongan yang cepat, bersih, dan lurus. Untuk memasangnya, masukkan pembatas belahan ke lubang persegi di bagian samping dudukan mesin dengan pemandu pembatas menghadap ke arah bawah. Geser pembatas belahan ke posisi lebar pemotongan yang diinginkan, kemudian kencangkan baut untuk mengamankannya.

## 2. Potongan bundar

### ► Gbr.21

### ► Gbr.22: 1. Pemandu pembatas 2. Kenop berulir 3. Pin pemandu sirkular

Ketika memotong lingkaran atau lengkung dengan radius 170 mm atau kurang, pasang pembatas belahan seperti berikut.

Masukkan pembatas belahan ke lubang persegi di bagian samping dudukan dengan pemandu pembatas menghadap ke arah atas. Masukkan pin pemandu sirkular melalui salah satu dari kedua lubang di pemandu pembatas. Lakukan penyekrupan kenop berulir ke pin untuk mengamankan pin.

Sekarang geser pembatas belahan ke radius pemotongan yang diinginkan, dan kencangkan baut untuk mengamankannya. Kemudian pindahkan dudukan jauh ke depan.

### **CATATAN:**

- Selalu gunakan mata pisau No. B-17, B-18, B-26, atau B-27 ketika melakukan pemotongan lingkaran atau lengkung.



## Set adaptor rel pemandu (aksesori)

### ► Gbr.23

Ketika memotong lebar sejajar dan seragam atau memotong lurus, penggunaan rel pemandu dan adaptor rel pemandu akan memastikan produksi potongan yang cepat dan rapi.

Untuk memasang adaptor rel pemandu, masukkan bilah penggaris ke lubang segi empat dudukan sejauh mungkin. Kencangkan baut dengan kuat menggunakan kunci L.

### ► Gbr.24: 1. Baut 2. Bilah penggaris

Pasang adaptor rel pemandu pada rel pemandu. Masukkan bilah penggaris ke lubang segi empat adaptor rel pemandu. Tempatkan dudukan di sisi rel pemandu, dan kencangkan baut dengan aman.

### ► Gbr.25: 1. Sekrup 2. Adaptor rel pemandu 3. Rel pemandu

#### **⚠PERHATIAN:**

- Selalu gunakan mata gergaji No. B-8, B-13, B-16, B-17 atau 58 ketika menggunakan rel pemandu dan adaptor rel pemandu.

## Pelat penutup

### ► Gbr.26: 1. Pelat penutup 2. Dudukan

Gunakan pelat penutup saat memotong bagian melengkung, plastik, dan lain-lain. Pelat penutup tersebut melindungi bagian sensitif atau permukaan yang halus dari kerusakan. Pasangkan pada bagian belakang dudukan peralatan.

## Perangkat antiserpih

### ► Gbr.27: 1. Dudukan 2. Perangkat antiserpih

Untuk pemotongan bebas serpihan, perangkat antiserpih bisa digunakan. Untuk memasang perangkat antiserpih, pindahkan dudukan peralatan jauh ke depan dan pasang dari bagian belakang dudukan peralatan. Saat Anda menggunakan pelat penutup, pasang perangkat antiserpih ke pelat penutup.

#### **⚠PERHATIAN:**

- Perangkat antiserpih tidak dapat digunakan ketika melakukan pemotongan sudut siku-siku.

## PERAWATAN

#### **⚠PERHATIAN:**

- Selalu pastikan bahwa mesin dimatikan dan steker dicabut sebelum melakukan pemeriksaan atau perawatan.
- Jangan sekali-kali menggunakan benzena, tiner, alkohol, atau bahan sejenisnya. Penggunaan bahan tersebut dapat menyebabkan perubahan warna, perubahan bentuk, atau timbulnya retakan.

Untuk menjaga KEAMANAN dan KEANDALAN mesin, perbaikan, pemeriksaan dan penggantian sikat karbon, serta perawatan atau penyetelan lain harus dilakukan oleh Pusat Layanan Resmi Makita, selalu gunakan suku cadang pengganti buatan Makita.

## AKSESORI PILIHAN

#### **⚠PERHATIAN:**

- Dianjurkan untuk menggunakan aksesoris atau perangkat tambahan ini dengan mesin Makita Anda yang ditentukan dalam petunjuk ini. Penggunaan aksesoris atau perangkat tambahan lain bisa menyebabkan risiko cedera pada manusia. Hanya gunakan aksesoris atau perangkat tambahan yang sesuai dengan tujuan yang telah ditetapkan.

Jika Anda memerlukan bantuan lebih terperinci berkenaan dengan aksesoris ini, tanyakan pada Pusat Layanan Makita terdekat.

- Mata gergaji jig
- Kunci L 4
- Set Pembatas belahan (mistar pemandu)
- Set adaptor rel pemandu
- Set rel pemandu
- Perangkat antiserpih
- Nosel debu
- Pelat penutup
- Selang (Untuk pengisap debu)

#### **CATATAN:**

- Beberapa item dalam daftar tersebut mungkin sudah termasuk dalam paket mesin sebagai aksesoris standar. Kelengkapan mesin dapat berbeda di setiap negara.

## SPEKIFIKASI

Model		4350T	4350CT	4350FCT
Panjang ayunan		26 mm	26 mm	26 mm
Kapasiti maksimum pemotongan	Kayu	135 mm	135 mm	135 mm
	Keluli	10 mm	10 mm	10 mm
	Aluminium	20 mm	20 mm	20 mm
Ayunan per minit (min <sup>-1</sup> )		2,800	800 - 2,800	800 - 2,800
Panjang keseluruhan		236 mm	236 mm	236 mm
Berat bersih		2.7 kg	2.7 kg	2.7 kg
Kelas keselamatan		□/II		

- Disebabkan program penyelidikan dan pembangunan kami yang berterusan, spesifikasi yang terkandung di dalam ini adalah tertakluk kepada perubahan tanpa notis.
- Spesifikasi mungkin berbeza mengikut negara.
- Berat mengikut Prosedur EPTA 01/2014

## Simbol

Berikut menunjukkan simbol-simbol yang digunakan untuk alat ini. Pastikan anda memahami maksudnya sebelum menggunakan.



Baca manual arahan.



PENEBATAN BERGANDA



Hanya untuk negara-negara Kesatuan Eropah  
 Jangan buang peralatan elektrik bersama bahan buangan isi rumah!  
 Dalam mematuhi Arahan Eropah mengenai Sisa Peralatan Elektrik dan Elektronik serta pelaksanaannya mengikut undang-undang negara, peralatan elektrik yang telah mencapai akhir hayatnya mesti dikumpul secara berasingan dan dikembalikan ke kemudahan kitar semula yang bersesuaian dengan alam sekitar.

## Tujuan penggunaan

Alat ini bertujuan untuk menggergaji kayu, plastik dan bahan logam. Disebabkan aksesori yang banyak dan program bilah gergaji, alat boleh digunakan untuk kebanyakan tujuan dan sangat sesuai untuk pemotongan melengkung atau membulat.

## Bekalan kuasa

Alat ini perlu disambungkan hanya kepada bekalan kuasa dengan voltan yang sama seperti yang ditunjukkan pada papan nama, dan hanya boleh dikendalikan pada bekalan AC fasa tunggal. Ia mempunyai penebatan berganda dan oleh itu, ia juga boleh digunakan dari soket tanpa wayar bumi.

## Amaran keselamatan umum alat kuasa

**⚠️AMARAN:** Baca semua amaran keselamatan, arahan, ilustrasi dan spesifikasi yang disediakan dengan alat kuasa ini. Kegagalan mengikut semua arahan yang disenaraikan di bawah boleh menyebabkan kejutan elektrik, kebakaran dan/atau kecederaan serius.

## Simpan semua amaran dan arahan untuk rujukan masa depan.

Istilah "alat kuasa" dalam amaran merujuk kepada alat kuasa yang menggunakan tenaga elektrik (dengan kord) atau alat kuasa yang menggunakan bateri (tanpa kord).

### Keselamatan kawasan kerja

1. **Pastikan kawasan kerja bersih dan diterangi dengan baik.** Kawasan berselerak atau gelap mengundang kemalangan.
2. **Jangan kendalikan alat kuasa dalam keadaan yang mudah meletup, seperti dalam kehadiran cecair, gas atau habuk yang mudah terbakar.** Alat kuasa menghasilkan percikan api yang boleh menyalakan debu atau wasap.
3. **Jauhkan kanak-kanak dan orang ramai semasa mengendalikan alat kuasa.** Gangguan boleh menyebabkan anda hilang kawalan.

### Keselamatan elektrik

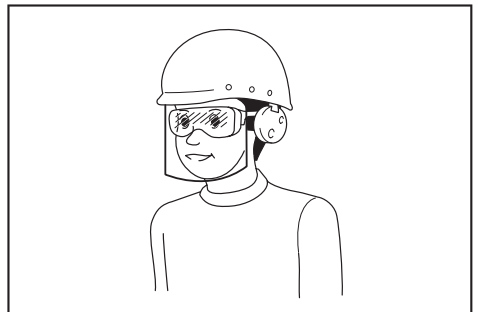
1. **Palam alat kuasa mesti sepadan dengan soket. Jangan ubah suai palam dalam apa cara sekalipun. Jangan gunakan sebarang palam penyesuai dengan alat kuasa terbumi.** Palam yang tidak diubah suai dan soket yang sepadan akan mengurangkan risiko kejutan elektrik.

2. **Elakkan sentuhan badan dengan permukaan terbumi, seperti paip, radiator, dapur dan peti sejuk.** Terdapat peningkatan risiko kejutan elektrik jika elektrik terbumi terkena badan anda.
3. **Jangan biarkan alat kuasa terkena hujan atau basah.** Air yang memasuki alat kuasa akan meningkatkan risiko kejutan elektrik.
4. **Jangan salah gunakan kord.** Jangan gunakan kord untuk membawa, menarik atau mencabut palam alat kuasa. Jauhkan kord dari haba, minyak, bucu tajam atau bahagian yang bergerak. Kord yang rosak atau tersimpul meningkatkan risiko kejutan elektrik.
5. **Semasa mengendalikan alat kuasa di luar, gunakan kord sambungan yang bersesuaian untuk kegunaan luar.** Penggunaan kord yang sesuai untuk kegunaan luar mengurangkan risiko kejutan elektrik.
6. **Sekiranya pengendalian alat kuasa di lokasi lembap tidak dapat dielakkan, gunakan bekalan peranti arus sisa (RCD) yang dilindungi.** Penggunaan RCD mengurangkan risiko kejutan elektrik.
7. **Penggunaan bekalan kuasa melalui RCD dengan arus sisa yang bernilai 30 mA atau kurang sentiasa disyorkan.**
8. **Alat kuasa boleh menghasilkan medan elektromagnetik (EMF) yang tidak berbahaya kepada pengguna.** Walau bagaimanapun, pengguna perentak jantung atau peranti perubatan yang serupa harus menghubungi pembuat peranti mereka dan/atau doktor untuk nasihat sebelum mengendalikan alat kuasa ini.
9. **Jangan sentuh palam kuasa dengan tangan yang basah.**
10. **Jika kord rosak, minta ia diganti oleh pengilang atau ejennya bagi mengelakkan bahaya keselamatan.**

#### Keselamatan diri

1. **Sentiasa berwaspada, perhatikan apa yang anda lakukan dan guna akal budi semasa mengendalikan alat kuasa.** Jangan gunakan alat kuasa semasa anda letih atau di bawah pengaruh dadah, alkohol atau ubat. Kelekaan seketika semasa mengendalikan alat kuasa boleh menyebabkan kecederaan diri yang serius.
2. **Gunakan peralatan pelindung diri.** Sentiasa pakai pelindung mata. Peralatan pelindung seperti topeng debu, kasut keselamatan tak mudah tergelincir, topi keselamatan atau pelindung pendengaran yang digunakan untuk keadaan yang sesuai akan mengurangkan kecederaan diri.
3. **Elakkan permulaan yang tidak disengajakan.** Pastikan suis ditutup sebelum menyambung kepada sumber kuasa dan/atau pek bateri, semasa mengangkat atau membawa alat. Membawa alat kuasa dengan jari anda pada suis atau menahan alat kuasa dengan suis pada kedudukan hidup mengundang kemalangan.
4. **Alihkan sebarang kunci atau sepana pelaras sebelum menghidupkan alat kuasa.** Sepana atau kunci yang ditinggalkan pada bahagian berputar alat kuasa boleh menyebabkan kecederaan diri.

5. **Jangan lampau jangkau.** Jaga pijakan dan keseimbangan yang betul pada setiap masa. Ini membolehkan kawalan alat kuasa yang lebih baik dalam situasi yang tidak dijangka.
6. **Berpakaian dengan betul.** Jangan pakai pakaian yang longgar atau barang kemas. Jauhkan rambut dan pakaian anda dari bahagian yang bergerak. Pakaian longgar, barang kemas atau rambut yang panjang boleh terperangkap dalam bahagian yang bergerak.
7. **Jika peranti disediakan untuk sambungan kemudahan pengekstrakan dan pengumpulan habuk, pastikan ia disambung dan digunakan dengan betul.** Penggunaan pengumpulan habuk boleh mengurangkan bahaya berkaitan habuk.
8. **Jangan biarkan kebiasaan daripada kekerapan penggunaan alat membuatkan anda berpuas hati dan mengabaikan prinsip keselamatan alat.** Kecuaian boleh menyebabkan kecederaan serius dalam sekelip mata.
9. **Sentiasa pakai kaca mata pelindung untuk melindungi mata anda daripada kecederaan apabila menggunakan alat kuasa.** Kaca mata mestilah mematuhi ANSI Z87.1 di AS, EN 166 di Eropah, atau AS/NZS 1336 di Australia/New Zealand. Di Australia/New Zealand, undang-undang mengarahkan untuk memakai pelindung muka bagi melindungi muka anda, juga.



**Menjadi tanggungjawab majikan untuk menguatkuasa penggunaan peralatan perlindungan keselamatan yang bersesuaian oleh pengendali alat dan oleh orang lain dalam kawasan bekerja semasa.**

#### Penggunaan dan penjagaan alat kuasa

1. **Jangan gunakan alat kuasa dengan kasar.** Gunakan alat kuasa yang betul untuk penggunaan anda. Alat kuasa yang betul akan melakukan tugas dengan lebih baik dan lebih selamat pada kadar mana ia direka cipta.
2. **Jangan gunakan alat kuasa jika suis tidak berfungsi untuk menghidupkan dan mematikkannya.** Alat kuasa yang tidak dapat dikawal dengan suis adalah berbahaya dan mesti dibaiki.

3. **Cabut palam dari sumber kuasa dan/atau keluarkan pek bateri, jika boleh ditanggalkan, dari alat kuasa sebelum membuat sebarang pelarasan, menukar aksesori, atau menyimpan alat kuasa.** Langkah-langkah keselamatan pencegahan sedemikian mengurangkan risiko memulakan alat kuasa secara tidak sengaja.
4. **Simpan alat kuasa yang tidak digunakan jauh dari jangkauan kanak-kanak dan jangan biarkan orang yang tidak biasa dengan alat kuasa atau arahan ini untuk mengendalikan alat kuasa.** Alat kuasa adalah berbahaya di tangan pengguna yang tidak terlatih.
5. **Menyelenggara alat kuasa dan aksesori.** Periksa salah jajaran atau ikatan pada bahagian yang bergerak, bahagian yang pecah dan apa-apa keadaan lain yang boleh menjejaskan operasi alat kuasa. Jika rosak, baik alat kuasa sebelum digunakan. Kebanyakan kemalangan adalah disebabkan oleh alat kuasa yang tidak dijaga dengan baik.
6. **Pastikan alat pemotong tajam dan bersih.** Alat pemotong yang dijaga dengan betul dengan hujung pemotong yang tajam mempunyai kemungkinan yang rendah untuk terikat dan lebih mudah dikendalikan.
7. **Gunakan alat kuasa, aksesori dan alat bit dan sebagainya mengikut arahan ini dengan mengambil kira keadaan kerja dan kerja yang perlu dilakukan.** Penggunaan alat kuasa untuk operasi yang berbeza dari yang dimaksudkan boleh menyebabkan keadaan berbahaya.
8. **Pastikan pemegang dan permukaan pegangan kering, bersih dan bebas dari minyak dan gris.** Pemegang dan permukaan pegangan yang licin tidak membolehkan pengendalian dan kawalan selamat bagi alat dalam situasi yang tidak dijangka.
9. **Apabila menggunakan alat, jangan pakai sarung tangan kerja kain yang mungkin boleh kusut.** Kekusutan sarung tangan kerja kain pada bahagian yang bergerak boleh menyebabkan kecederaan diri.
2. **Gunakan pengapit atau cara praktikal lain untuk mengukuhkan dan menyokong bahan kerja pada platform yang stabil.** Memegang bahan kerja dengan tangan anda atau menyandar pada badan menyebabkan ia tidak stabil dan boleh menyebabkan anda hilang kawalan.
3. **Sentiasa gunakan kaca mata atau gogal keselamatan.** Cermin mata atau cermin mata gelap biasa BUKAN cermin mata keselamatan.
4. **Elakkan memotong paku.** Periksa bahan kerja untuk melihat sebarang paku dan buang sebelum pengendalian.
5. **Jangan potong bahan kerja yang terlampau besar.**
6. **Pastikan pengosongan yang betul yang jauh dari bahan kerja sebelum memotong agar bilah tidak terkena lantai, bangku, dll.**
7. **Pegang alat dengan kukuh.**
8. **Pastikan bilah tidak menyentuh bahan kerja sebelum suis dihidupkan.**
9. **Jauhkan tangan dari bahagian bergerak.**
10. **Jangan tinggalkan alat yang sedang berjalan.** Kendalikan alat hanya apabila dipegang.
11. **Sentiasa matikan suis dan tunggu sehingga bilah berhenti sepenuhnya sebelum mengeluarkan bilah daripada bahan kerja.**
12. **Jangan sentuh bilah atau bahan kerja dengan serta-merta selepas operasi; ia mungkin sangat panas dan boleh melecurkan kulit anda.**
13. **Jangan kendalikan alat tanpa beban tanpa keperluan.**
14. **Sesetengah bahan mengandungi bahan kimia yang mungkin toksik.** Sila berhati-hati untuk mencegah penyedutan habuk dan sentuhan kulit. Ikut data keselamatan pembekal bahan.
15. **Sentiasa gunakan topeng habuk/alat pernafasan yang betul untuk bahan dan aplikasi yang anda sedang kerjakan.**

## SIMPAN ARAHAN INI.

**⚠️AMARAN:** JANGAN biarkan keselesaan atau kebiasaan dengan produk (daripada penggunaan berulang) menggantikan pematuhan ketat terhadap peraturan keselamatan untuk produk yang ditetapkan. SALAH GUNA atau kegagalan mematuhi peraturan-peraturan keselamatan yang dinyatakan dalam manual arahan ini boleh menyebabkan kecederaan diri yang serius.

### Servis

1. **Pastikan alat kuasa anda diservis oleh orang yang berkelayakan dengan hanya menggunakan alat ganti yang sama.** Ini akan memastikan keselamatan alat kuasa dapat dikekalkan.
2. **Ikut arahan untuk melincir dan menukar aksesori.**

## Amaran keselamatan gergaji jig

1. **Pegang alat kuasa pada permukaan mencengkam tertebat apabila melakukan operasi yang aksesori pemotong mungkin tersentuh wayar tersembunyi atau kordnya sendiri.** Aksesori pemotong yang bersentuh dengan wayar "hidup" boleh menyebabkan bahagian logam terdedah alat kuasa "hidup" dan boleh memberi kejutan elektrik kepada pengendali.

# KETERANGAN FUNGSI

## **⚠️ PERHATIAN:**

- Sentiasa pastikan alat dimatikan dan palamnya dicabut sebelum menyelaras atau menyemak fungsi pada alat.

## Pemilihan tindakan pemotongan

### ► **Rajah1:** 1. Tindakan pemotongan menukar tuil

Alat ini boleh dikendalikan dengan cara orbit atau garis lurus (atas dan bawah) tindakan pemotongan. Tindakan pemotongan orbit menujah bilah ke hadapan pada strok pemotongan dan meningkatkan kelajuan pemotongan. Untuk menukar tindakan pemotongan, hanya tukar tindakan memotong tuas yang berubah-ubah kepada kedudukan tindakan memotong yang diinginkan. Rujuk jadual untuk memilih tindakan pemotongan yang sesuai.

Kedudukan	Tindakan pemotongan	Penggunaan
0	Tindakan memotong garis lurus	Untuk pemotongan keluli lembut, keluli tahan karat dan plastik. Untuk potong bersih di kayu dan papan lapis.
I	Tindakan pemotongan orbit yang kecil	Untuk pemotongan keluli lembut, aluminium dan kayu keras.
II	Tindakan pemotongan orbit yang sederhana	Untuk pemotongan kayu dan papan lapis. Untuk pemotongan cepat dalam aluminium dan keluli lembut.
III	Tindakan pemotongan orbit yang besar	Untuk pemotongan cepat di dalam kayu dan papan lapis.

## Tindakan suis

### ► **Rajah2:** 1. Pemicu suis 2. Butang kunci

## **⚠️ PERHATIAN:**

- Sebelum memasang alat, sentiasa periksa untuk melihat pemicu suis bergerak dengan betul dan kembali ke posisi "OFF" apabila dilepaskan.

Untuk memulakan alat, hanya tarik pemicu suis.

Lepaskan pemicu suis untuk berhenti.

Untuk operasi berterusan, tarik pemicu suis dan kemudian tolak masuk butang kunci.

Untuk menghentikan alat dari kedudukan terkunci, tarik pemicu suis sepenuhnya, kemudian lepaskan.

# Dail pelarasan kelajuan

## Untuk 4350CT, 4350FCT

### ► **Rajah3:** 1. Dail pelarasan kelajuan

Kelajuan alat boleh diselaras di antara 800 dan 2,800 strok seminit dengan memutar dail pelarasan. Kelajuan lebih tinggi diperolehi apabila dail diubah ke arah nombor 5; kelajuan lebih rendah diperolehi apabila ia beralih ke arah nombor 1.

Rujuk jadual untuk memilih kelajuan yang tepat untuk bahan kerja yang akan dipotong. Walau bagaimanapun, kelajuan yang sesuai mungkin berbeza dengan jenis atau ketebalan bahan kerja. Secara umum, kelajuan lebih tinggi akan membolehkan anda memotong bahan kerja dengan lebih cepat tetapi hayat perkhidmatan bilah akan dikurangkan.

Bahan kerja yang akan dipotong	Nombor pada dail pelaras
Kayu	4 - 5
Keluli lembut	3 - 5
Keluli tahan karat	3 - 4
Aluminium	3 - 5
Plastik	1 - 4

## **⚠️ PERHATIAN:**

- Dail pelaras kelajuan boleh dipusingkan hanya sejauh 5 dan kembali ke 1. Jangan memaksa ia melepasi 5 atau 1, atau fungsi pelaras kelajuan mungkin tidak berfungsi lagi.

Alat yang dilengkapi dengan fungsi elektronik mudah dikendalikan kerana ciri-ciri berikut.

## Kawalan kelajuan malar

Kawalan kelajuan elektronik untuk mendapatkan kelajuan malar. Boleh mendapatkan kemasangan yang halus, kerana kelajuan berputar sentiasa malar walaupun di bawah keadaan beban.

## Ciri mula ringan

Keselamatan dan permulaan lembut disebabkan kejutan permulaan yang ditindas.

## Menyalakan lampu

## Untuk 4350FCT sahaja

## **⚠️ PERHATIAN:**

- Jangan lihat ke dalam cahaya atau lihat sumber cahaya secara langsung.

Untuk menghidupkan lampu, tarik pemicu. Lepaskan pemicu untuk mematikannya.

## **NOTA:**

- Gunakan kain kering untuk mengelap kotoran daripada kanta lampu. Berhati-hati agar tidak mencalarakan kanta lampu, atau ia mungkin mengurangkan pencahayaan.

# PEMASANGAN

## ⚠️ PERHATIAN:

- Sentiasa pastikan alat dimatikan dan palamnya dicabut sebelum menjalankan apa-apa kerja pada alat.

## Memasang atau mengeluarkan bilah gergaji

## ⚠️ PERHATIAN:

- Sentiasa bersihkan semua serpihan atau bahan asing yang melekap pada bilah dan/atau pemegang bilah. Kegagalan berbuat demikian boleh menyebabkan bilah yang tidak cukup ketat, mengakibatkan kecederaan peribadi yang serius.
- Jangan sentuh bilah atau bahan kerja dengan serta-merta selepas operasi; ia mungkin sangat panas dan boleh melecurkan kulit anda.
- Ketatkan bilah gergaji dengan ketat. Gagal berbuat demikian boleh menyebabkan kecederaan peribadi yang serius.
- Apabila anda mengeluarkan bilah gergaji, berhati-hatilah untuk tidak menyakitkan jari anda dengan bahagian atas bilah atau hujung bahan kerja.

Untuk memasang bilah, buka pembuka alat kepada kedudukan yang ditunjukkan dalam rajah tersebut.

► **Rajah4:** 1. Pembuka alat

Untuk mengekalkan keadaan itu, masukkan bilah gergaji ke dalam pengapit bilah setakat dua bonjolan bilah yang tidak boleh dilihat.

► **Rajah5:** 1. Pengapit bilah 2. Bilah gergaji jig 3. Bonjolan

Kembalikan pembuka alat kepada kedudukan asalnya. Selepas memasang, sentiasa memastikan bilah dipasang kemas dengan cuba menariknya keluar.

## ⚠️ PERHATIAN:

- Jangan buka pembuka alat secara berlebihan, atau boleh menyebabkan kerosakan alat.

Untuk mengeluarkan bilah, buka pembuka alat kepada kedudukan yang ditunjukkan dalam rajah tersebut. Tarik bilah gergaji ke arah tapak.

► **Rajah6:** 1. Bilah gergaji jig

## NOTA:

- Sekali sekala melincirkan pengegelek.

## Penyimpanan kunci allen

► **Rajah7:** 1. Tapak 2. Kunci allen

Apabila tidak digunakan, kunci allen boleh disimpan dengan mudah.

# OPERASI

## ⚠️ PERHATIAN:

- Pegang alat itu dengan cermat dengan satu tangan pada pemegang utama ketika menggunakan alat. Jika perlu, bahagian depan alat itu boleh disokong oleh tangan yang lain.
- Sentiasa memegang tapak sedatar dengan bahan kerja. Kegagalan berbuat demikian boleh menyebabkan kerosakan pisau, mengakibatkan kecederaan serius.

► **Rajah8:** 1. Garisan pemotongan 2. Tapak

Hidupkan alat dan tunggu sehingga bilah mencapai kelajuan sepenuhnya. Kemudian meletakkan alat tapak yang rata di atas bahan kerja dan perlahan-lahan menggerakkan alat ke hadapan di sepanjang garis pemotongan yang telah ditandakan sebelumnya. Apabila memotong lengkung, maju ke hadapan alat perlahan-lahan.

## Potongan serong

## ⚠️ PERHATIAN:

- Sentiasa pastikan alat dimatikan dan palamnya dicabut sebelum mencondongkan tapak.

Dengan tapak yang condong, anda boleh membuat potongan serong di mana-mana sudut antara 0° dan 45° (kiri atau kanan).

► **Rajah9**

Longgarkan bolt di belakang tapak dengan kunci allen. Gerakkan tapak supaya bolt diposisikan di tengah slot serong pada tapak.

► **Rajah10:** 1. Tapak 2. Bolt 3. Kunci allen

Condongkan tapak sehingga sudut serong yang dikehendaki diperolehi. Takuk V perumah gear menunjukkan sudut serong oleh senggatan. Kemudian ketatkan bolt dengan kuat untuk menjamin tapak.

► **Rajah11:** 1. Senggatan 2. Slot serong 3. Tapak 4. Perumah gear 5. Takuk V 6. Bolt

## Potong pengosongan depan

► **Rajah12:** 1. Tapak 2. Bolt 3. Kunci allen

Longgarkan bolt di bahagian belakang pada tapak dengan kunci allen dan luncurkan tapak ke belakang. Kemudian ketatkan bolt untuk mengukuhkan tapak.

## Potong

Potongan boleh dibuat dengan salah satu daripada dua kaedah A atau B.

## A) Menggerek lubang permulaan:

► **Rajah13:** 1. Memulakan lubang

Untuk memotong dalam tanpa memotong masuk ke dalam dari tepi, pra-gerudi lubang dengan 12 mm atau lebih dalam diameter. Masukkan bilah ke dalam lubang ini untuk memulakan pemotongan anda.

## B) Pemotongan menjunam:

### ► Rajah14

Anda tidak perlu menggerek lubang permulaan atau memotong masuk ke dalam jika anda berhati-hati melakukan seperti berikut.

- (1) Condongkan alat di pinggir hadapan tapak dengan bilah diletakkan pada titik hanya di atas permukaan bahan kerja.
- (2) Memberikan tekanan ke alat supaya hadapan tepi tapak tidak akan bergerak apabila anda menghidupkan alat dan menurunkan bahagian belakang alat dengan perlahan-lahan.
- (3) Apabila bilah menembusi bahan kerja, perlahan-lahan menurunkan tapak alat ke permukaan bahan kerja.
- (4) Menyelesaikan pemotongan secara normal.

## Kemasan hujung

### ► Rajah15

Untuk merapikan hujung atau membuat pelarasan dimensi, jalankan bilah sedikit di sepanjang hujung pemotongan.

## Pemotongan logam

Sentiasa guna bahan pendingin (minyak pemotongan) yang sesuai apabila memotong logam. Gagal berbuat demikian boleh menyebabkan bilah koyak dengan ketara. Bahagian bawah bahan kerja boleh disapu gris dan bukannya bahan pendingin.

## Pengekstrakan habuk

### ► Rajah16: 1. Muncung habuk 2. Tapak

### ► Rajah17

Muncung habuk (aksesori) disyorkan untuk melakukan operasi pemotongan bersih.

Untuk memasang muncung habuk pada alat, masukkan cincin muncung habuk ke dalam lubang pada tapak. Muncung habuk boleh dipasang sama ada di sebelah kiri atau kanan tapak.

Kemudian sambungkan pembersih vakum Makita ke muncung habuk.

### ► Rajah18: 1. Muncung habuk 2. Hos untuk pembersih hampagas

### ⚠PERHATIAN:

- Jika anda cuba mengeluarkan muncung habuk secara paksa, cangkuk muncung habuk boleh tersusut dan terkeluar secara tidak sengaja semasa operasi.

## Set pagar belah (aksesori pilihan)

### ⚠PERHATIAN:

- Sentiasa pastikan alat dimatikan dan palamnya dicabut sebelum memasang atau mengeluarkan aksesori.

## 1. Potongan lurus

### ► Rajah19: 1. Pagar belah

### ► Rajah20: 1. Kunci allen 2. Bolt 3. Panduan pagar

Apabila memotong lebar 160 mm atau kurang berulang kali, penggunaan pagar belah menjamin pemotongan yang cepat, bersih, lurus. Untuk memasang, masukkan pagar belah ke dalam lubang segi empat tepat di sebelah alat tapak dengan pagar menghadap ke bawah. Gelongosor pagar belah ke kedudukan memotong lebar yang dikehendaki, kemudian ketatkan bolt untuk selamatkannya.

## 2. Pemotongan bulat

### ► Rajah21

### ► Rajah22: 1. Panduan pagar 2. Tombol berulir 3. Panduan pin bulat

Apabila memotong bulatan atau lengkok 170 mm atau kurang dalam radius, pasang pagar bilah seperti berikut.

Masukkan pagar bilah ke dalam lubang segi empat tepat di sebelah tapak dengan panduan pagar menghadap ke atas. Masukkan panduan pin bulat melalui salah satu daripada dua lubang pada panduan pagar. Skru tombol berulir ke pin untuk kawal pin.

Sekarang luncurkan pagar belah ke jejari pemotongan yang dikehendaki, dan ketatkan bolt untuk menetapkan ditempatnya. Kemudian gerakkan tapak sepanjang jalan ke hadapan.

### NOTA:

- Sentiasa guna bilah No. B-17, B-18, B-26 atau B-27 apabila memotong bulatan atau arka.

## Panduan set penyesuai landasan (aksesori)

### ► Rajah23

Apabila memotong lebar selari dan seragam atau lurus, penggunaan panduan landasan dan landasan penyesuai akan memastikan pengeluaran potongan cepat dan bersih.

Untuk memasang panduan penyesuai landasan, masukkan bar garis ke dalam lubang persegi tapak sejauh mana ia pergi. Ikat bolt dengan kunci allen dengan ketat.

### ► Rajah24: 1. Bolt 2. Bar garis

Pasang panduan penyesuai landasan pada landasan daripada panduan landasan. Masukkan bar garis ke dalam lubang persegi penyesuai landasan panduan. Letakkan tapak ke tepi landasan panduan, dan ketatkan bolt.

### ► Rajah25: 1. Skru 2. Penyesuai landasan panduan 3. Landasan panduan

### **⚠️ PERHATIAN:**

- Sentiasa gunakan bilah No. B-8, B-13, B-16, B-17 atau 58 apabila menggunakan landasan panduan dan penyesuai landasan panduan.

## **Plat penutup**

### ► **Rajah26:** 1. Plat penutup 2. Tapak

Gunakan plat penutup apabila memotong papan lapis hiasan, plastik, dll. Ia melindungi permukaan sensitif atau lembut daripada kerosakan. Pasangkannya di belakang tapak alat.

## **Peranti anti serpihan**

### ► **Rajah27:** 1. Tapak 2. Peranti anti serpihan

Untuk potongan bebas dari serpihan, peranti anti-serpihan boleh digunakan. Untuk memasang peranti anti-serpihan, gerakan tapak alat sepanjang jalan ke hadapan dan gerakkannya dari belakang tapak alat. Apabila anda menggunakan plat penutup, pasang peranti anti-serpihan ke plat penutup.

### **⚠️ PERHATIAN:**

- Peranti anti-serpihan tidak boleh digunakan apabila membuat potongan serong.

## **PENYELENGGARAAN**

### **⚠️ PERHATIAN:**

- Sentiasa pastikan alat dimatikan dan palamnya dicabut sebelum cuba menjalankan pemeriksaan atau penyelenggaraan.
- Jangan gunakan gasolin, benzin, pencair, alkohol atau bahan yang serupa. Ia boleh menyebabkan perubahan warna, bentuk atau keretakan.

Untuk mengekalkan KESELAMATAN dan KEBOLEHPERCAYAAN produk, pembaikan, pemeriksaan dan penggantian berus karbon, apa-apa penyelenggaraan atau penyesuaian lain perlu dilakukan oleh Pusat Servis Makita yang Diiktiraf, sentiasa gunakan alat ganti Makita.

## **AKSESORI PILIHAN**

### **⚠️ PERHATIAN:**

- Aksesori atau alat tambahan ini adalah disyorkan untuk digunakan dengan alat Makita anda yang ditentukan dalam manual ini. Penggunaan mana-mana aksesori atau alat tambahan lain mungkin mengakibatkan risiko kecederaan kepada orang. Hanya gunakan aksesori atau alat tambahan untuk tujuan yang dinyatakannya.

Jika anda memerlukan sebarang bantuan untuk maklumat lebih lanjut mengenai aksesori ini, tanya Pusat Perkhidmatan Makita tempatan anda.

- Bilah gergaji jig
- Kunci allen 4
- Set (garis panduan) pagar belah
- Set penyesuai landasan panduan
- Set landasan panduan
- Peranti anti serpihan
- Muncung habuk
- Plat penutup
- Hos (Untuk pembersih hampagas)

### **NOTA:**

- Beberapa item dalam senarai mungkin disertakan dalam pakej alat sebagai aksesori standard. Item mungkin berbeza mengikut negara.



## THÔNG SỐ KỸ THUẬT

Kiểu		4350T	4350CT	4350FCT
Chiều dài hành trình		26 mm	26 mm	26 mm
Công suất cắt tối đa	Gỗ	135 mm	135 mm	135 mm
	Thép	10 mm	10 mm	10 mm
	Nhôm	20 mm	20 mm	20 mm
Số nhất mỗi phút (min <sup>-1</sup> )		2.800	800 - 2.800	800 - 2.800
Tổng chiều dài		236 mm	236 mm	236 mm
Khối lượng tịnh		2,7 kg	2,7 kg	2,7 kg
Cấp an toàn		□/II		

- Do chương trình nghiên cứu và phát triển liên tục của chúng tôi nên các thông số kỹ thuật trong đây có thể thay đổi mà không cần thông báo trước.
- Các thông số kỹ thuật có thể thay đổi tùy theo từng quốc gia.
- Khối lượng tùy theo Quy trình EPTA tháng 01/2014

### Ký hiệu

Phân dưới đây chỉ ra các ký hiệu được dùng cho thiết bị. Đảm bảo rằng bạn hiểu rõ ý nghĩa của các ký hiệu này trước khi sử dụng.



Đọc tài liệu hướng dẫn.



CÁCH ĐIỆN CẤP 2



Chỉ dành cho các quốc gia châu Âu Không thải bỏ thiết bị điện cùng với các chất thải sinh hoạt! Đề tuân thủ Chỉ thị của Châu Âu về Thiết bị Điện và Điện tử Thái bỏ và thi hành những chỉ thị này phù hợp với luật lệ quốc gia, thiết bị điện tử không còn sử dụng phải được thu nhặt riêng và đưa trở lại một cơ sở tái chế tương thích với môi trường.

### Mục đích sử dụng

Dụng cụ được sử dụng để cưa gỗ, nhựa và vật liệu kim loại. Do phụ kiện mở rộng và lập trình lưỡi cưa, có thể sử dụng dụng cụ cho nhiều mục đích và rất phù hợp với việc cắt theo đường tròn hoặc đường cong.

### Nguồn cấp điện

Dụng cụ này chỉ được nối với nguồn cấp điện có điện áp giống như đã chỉ ra trên biển tên và chỉ có thể được vận hành trên nguồn điện AC một pha. Chúng được cách điện hai lớp và do đó cũng có thể được sử dụng từ các ổ cắm điện không có dây tiếp đất.

## Cảnh báo an toàn chung dành cho dụng cụ máy

**⚠ CẢNH BÁO:** Xin đọc tất cả các cảnh báo an toàn, hướng dẫn, minh họa và thông số kỹ thuật đi kèm với dụng cụ máy này. Việc không tuân theo các hướng dẫn được liệt kê dưới đây có thể dẫn đến điện giật, hỏa hoạn và/hoặc thương tích nghiêm trọng.

## Lưu giữ tất cả cảnh báo và hướng dẫn để tham khảo sau này.

Thuật ngữ “dụng cụ máy” trong các cảnh báo đề cập đến dụng cụ máy (có dây) được vận hành bằng nguồn điện chính hoặc dụng cụ máy (không dây) được vận hành bằng pin của bạn.

### An toàn tại nơi làm việc

1. **Giữ nơi làm việc sạch sẽ và có đủ ánh sáng.** Nơi làm việc bừa bộn hoặc tối thường dễ gây ra tai nạn.
2. **Không vận hành dụng cụ máy trong môi trường cháy nổ, ví dụ như môi trường có sự hiện diện của các chất lỏng, khí hoặc bụi dễ cháy.** Các dụng cụ máy tạo tia lửa điện có thể làm bụi hoặc khí bốc cháy.
3. **Giữ trẻ em và người ngoài tránh xa nơi làm việc khi đang vận hành dụng cụ máy.** Sự xao lãng có thể khiến bạn mất khả năng kiểm soát.

### An toàn về Điện

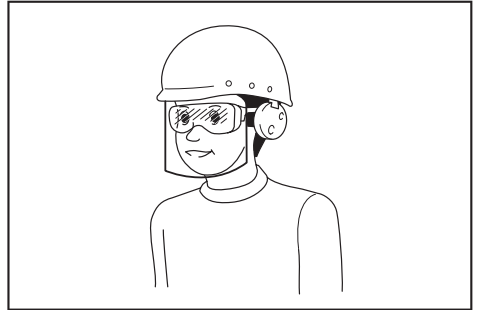
1. **Phích cắm của dụng cụ máy phải khớp với ổ cắm. Không được sửa đổi phích cắm theo bất kỳ cách nào. Không sử dụng bất kỳ phích chuyển đổi nào với các dụng cụ máy được nối đất (tiếp đất).** Các phích cắm còn nguyên vẹn và ổ cắm phù hợp sẽ giảm nguy cơ điện giật.
2. **Tránh để cơ thể tiếp xúc với các bề mặt nóng hoặc tiếp đất như đường ống, bộ tản nhiệt, bếp ga và tủ lạnh.** Nguy cơ bị điện giật sẽ tăng lên nếu cơ thể bạn được nối đất hoặc tiếp đất.
3. **Không để dụng cụ máy tiếp xúc với mưa hoặc trong điều kiện ẩm ướt.** Nước lọt vào dụng cụ máy sẽ làm tăng nguy cơ điện giật.
4. **Không lạm dụng dây điện. Không được phép sử dụng dây để mang, kéo hoặc tháo phích cắm dụng cụ máy. Giữ dây tránh xa nguồn nhiệt, dầu, các mốp sắc hoặc các bộ phận chuyển động.** Dây bị hỏng hoặc bị rối sẽ làm tăng nguy cơ điện giật.

5. **Khi vận hành dụng cụ máy ngoài trời, hãy sử dụng dây kéo dài phù hợp cho việc sử dụng ngoài trời.** Việc dùng dây phù hợp cho việc sử dụng ngoài trời sẽ giảm nguy cơ điện giật.
6. **Nếu bắt buộc phải vận hành dụng cụ máy ở nơi ẩm ướt, hãy sử dụng nguồn cấp điện được bảo vệ bằng thiết bị ngắt dòng điện rò (RCD).** Việc sử dụng RCD sẽ làm giảm nguy cơ điện giật.
7. **Chúng tôi luôn khuyên bạn sử dụng nguồn cấp điện qua thiết bị RCD có thể ngắt dòng điện rò định mức 30 mA hoặc thấp hơn.**
8. **Các dụng cụ máy có thể tạo ra từ trường điện (EMF) có hại cho người dùng.** Tuy nhiên, người dùng máy trợ tim và những thiết bị y tế tương tự khác nên liên hệ với nhà sản xuất thiết bị và/hoặc bác sỹ để được tư vấn trước khi vận hành dụng cụ này.
9. **Không chạm vào đầu cắm điện bằng tay ướt.**
10. **Nếu dây bị hỏng, hãy nhờ nhà sản xuất hoặc đại lý thay dây mới để tránh nguy hiểm về an toàn.**

#### An toàn Cá nhân

1. **Luôn tỉnh táo, quan sát những việc bạn đang làm và sử dụng những phán đoán theo kinh nghiệm khi vận hành dụng cụ máy.** Không sử dụng dụng cụ máy khi bạn đang mệt mỏi hoặc chịu ảnh hưởng của ma túy, rượu hay thuốc. Chỉ một khoảnh khắc không tập trung khi đang vận hành dụng cụ máy cũng có thể dẫn đến thương tích cá nhân nghiêm trọng.
2. **Sử dụng thiết bị bảo hộ cá nhân.** Luôn đeo thiết bị bảo vệ mắt. Các thiết bị bảo hộ như mặt nạ chống bụi, giày an toàn chống trượt, mũ bảo hộ hay thiết bị bảo vệ thính giác được sử dụng trong các điều kiện thích hợp sẽ giúp giảm thương tích cá nhân.
3. **Tránh vô tình khởi động dụng cụ máy.** Đảm bảo công tắc ở vị trí off (tắt) trước khi nối nguồn điện và/hoặc bộ pin, cầm hoặc di chuyển dụng cụ máy. Việc di chuyển dụng cụ máy khi đang đặt ngón tay ở vị trí công tắc hoặc cấp điện cho dụng cụ máy đang bật thường dễ gây ra tai nạn.
4. **Tháo tắt cả các khóa hoặc cờ lê điều chỉnh trước khi bật dụng cụ máy.** Việc cờ lê hoặc khóa vẫn còn gắn vào bộ phận quay của dụng cụ máy có thể dẫn đến thương tích cá nhân.
5. **Không vơi quá cao.** Luôn giữ thăng bằng tốt và có chỗ để chân phù hợp. Điều này cho phép điều khiển dụng cụ máy tốt hơn trong những tình huống bất ngờ.
6. **Ăn mặc phù hợp.** Không mặc quần áo rộng hay đeo đồ trang sức. Giữ tóc và quần áo tránh xa các bộ phận chuyển động. Quần áo rộng, đồ trang sức hay tóc dài có thể mắc vào các bộ phận chuyển động.
7. **Nếu các thiết bị được cung cấp để kết nối các thiết bị thu gom và hút bụi, hãy đảm bảo chúng được kết nối và sử dụng hợp lý.** Việc sử dụng thiết bị thu gom bụi có thể làm giảm những mối nguy hiểm liên quan đến bụi.

8. **Không vì quen thuộc do thường xuyên sử dụng các dụng cụ mà cho phép bạn trở nên tự mãn và bỏ qua các nguyên tắc an toàn dụng cụ.** Một hành động bất cẩn có thể gây ra thương tích nghiêm trọng trong một phần của một giây.
9. **Luôn luôn mang kính bảo hộ để bảo vệ mắt khỏi bị thương khi đang sử dụng các dụng cụ máy.** Kính bảo hộ phải tuân thủ ANSI Z87.1 ở Mỹ, EN 166 ở Châu Âu, hoặc AS/NZS 1336 ở Úc/New Zealand. Tại Úc/New Zealand, theo luật pháp, bạn cũng phải mang mặt nạ che mặt để bảo vệ mặt.



**Trách nhiệm của chủ lao động là bắt buộc người vận hành dụng cụ và những người khác trong khu vực làm việc cạnh đó phải sử dụng các thiết bị bảo hộ an toàn thích hợp.**

#### Sử dụng và bảo quản dụng cụ máy

1. **Không dùng lực đối với dụng cụ máy.** Sử dụng đúng dụng cụ máy cho công việc của bạn. Sử dụng đúng dụng cụ máy sẽ giúp thực hiện công việc tốt hơn và an toàn hơn theo giá trị định mức được thiết kế của dụng cụ máy đó.
2. **Không sử dụng dụng cụ máy nếu công tắc không bật và tắt được dụng cụ máy đó.** Mọi dụng cụ máy không thể điều khiển được bằng công tắc đều rất nguy hiểm và phải được sửa chữa.
3. **Rút phích cắm ra khỏi nguồn điện và/hoặc tháo kết nối bộ pin khỏi dụng cụ máy, nếu có thể tháo rời trước khi thực hiện bất kỳ công việc điều chỉnh, thay đổi phụ tùng hay cất giữ dụng cụ máy nào.** Những biện pháp an toàn phòng ngừa này sẽ giảm nguy cơ vô tình khởi động dụng cụ máy.
4. **Cất giữ các dụng cụ máy không sử dụng ngoài tầm với của trẻ em và không cho bất kỳ người nào không có hiểu biết về dụng cụ máy hoặc các hướng dẫn này vận hành dụng cụ máy.** Dụng cụ máy sẽ rất nguy hiểm nếu được sử dụng bởi những người dùng chưa qua đào tạo.
5. **Bảo dưỡng dụng cụ máy và các phụ kiện.** Kiểm tra tình trạng lịch trực hoặc bộ kẹp của các bộ phận chuyển động, hiện tượng nứt vỡ của các bộ phận và mọi tình trạng khác mà có thể ảnh hưởng đến hoạt động của dụng cụ máy. Nếu có hỏng hóc, hãy sửa chữa dụng cụ máy trước khi sử dụng. Nhiều tai nạn xảy ra là do không bảo quản tốt dụng cụ máy.

6. **Luôn giữ cho dụng cụ cắt được sắc bén và sạch sẽ.** Những dụng cụ cắt được bảo quản tốt có mép cắt sắc sẽ ít bị kẹt hơn và dễ điều khiển hơn.
7. **Sử dụng dụng cụ máy, phụ tùng và đầu dụng cụ cắt, v.v... theo các hướng dẫn này, có tính đến điều kiện làm việc và công việc được thực hiện.** Việc sử dụng dụng cụ máy cho các công việc khác với công việc dự định có thể gây nguy hiểm.
8. **Giữ tay cầm và bề mặt tay cầm khô, sạch, không dính dầu và mỡ.** Tay cầm trơn trượt và bề mặt tay cầm không cho phép xử lý an toàn và kiểm soát dụng cụ trong các tình huống bất ngờ.
9. **Khi sử dụng dụng cụ, không được đi giày tay lao động bằng vải, có thể bị vướng.** Việc giày tay lao động bằng vải vướng vào các bộ phận chuyển động có thể gây ra thương tích cá nhân.
14. **Một số vật liệu có thể chứa hóa chất độc hại. Phải cân trọng tránh hít phải bụi và để tiếp xúc với da. Tuân theo dữ liệu an toàn của nhà cung cấp vật liệu.**
15. **Luôn luôn sử dụng đúng mặt nạ chống bụi/khẩu trang đối với loại vật liệu và ứng dụng bạn đang làm việc.**

## LỰA GIỮ CÁC HƯỚNG DẪN NÀY.

**⚠ CẢNH BÁO:** KHÔNG vì đã thoải mái hay quen thuộc với sản phẩm (có được do sử dụng nhiều lần) mà không tuân thủ nghiêm ngặt các quy định về an toàn dành cho sản phẩm này. VIỆC DÙNG SAI hoặc không tuân theo các quy định về an toàn được nêu trong tài liệu hướng dẫn này có thể dẫn đến thương tích cá nhân nghiêm trọng.

### Bảo dưỡng

1. **Để nhân viên sửa chữa đủ trình độ bảo dưỡng dụng cụ máy của bạn và chỉ sử dụng các bộ phận thay thế đồng nhất.** Việc này sẽ đảm bảo duy trì được độ an toàn của dụng cụ máy.
2. **Tuân theo hướng dẫn dành cho việc bôi trơn và thay phụ tùng.**

### Cảnh báo an toàn dành cho Máy cưa lọng

1. **Cần dụng cụ máy bằng bề mặt kẹp cách điện khi thực hiện một thao tác trong đó bộ phận cắt có thể tiếp xúc với dây dẫn kín hoặc dây của chính nó.** Phụ kiện cắt tiếp xúc với dây dẫn “có điện” có thể khiến các bộ phận kim loại bị hở của dụng cụ máy “có điện” và làm cho người vận hành bị điện giật.
2. **Dùng kẹp hoặc làm theo cách khác để giữ chặt và đỡ phôi gia công trên bề mặt vững chắc.** Giữ phôi gia công bằng tay hoặc tỳ vào cơ thể sẽ làm phôi không chắc chắn và có thể dẫn đến mất kiểm soát.
3. **Luôn sử dụng kính bảo hộ hoặc kính an toàn. Kính mắt thông thường hoặc kính râm KHÔNG phải là kính an toàn.**
4. **Tránh cắt đỉnh. Kiểm tra phôi xem có đỉnh không và tháo đỉnh trước khi vận hành.**
5. **Không cắt phôi có kích thước quá lớn.**
6. **Kiểm tra khoảng trống phù hợp cách phôi gia công trước khi cắt để lưỡi cưa không cắt vào sàn, bàn gia công, v.v...**
7. **Cầm chắc dụng cụ.**
8. **Đảm bảo lưỡi cưa không tiếp xúc với phôi gia công trước khi bật công tắc.**
9. **Giữ tay tránh xa các bộ phận chuyển động.**
10. **Không để mặt dụng cụ hoạt động. Chỉ vận hành dụng cụ khi cầm trên tay.**
11. **Luôn tắt nguồn và đợi lưỡi cưa dừng hẳn trước khi tháo lưỡi cưa ra khỏi phôi gia công.**
12. **Không chạm vào lưỡi cưa hay phôi gia công ngay sau khi vận hành; chúng có thể cực nóng và có thể gây bỏng da.**
13. **Không vận hành dụng cụ không tải một cách không cần thiết.**

## MÔ TẢ CHỨC NĂNG

### ⚠ THẬN TRỌNG:

- Luôn bảo đảm rằng dụng cụ được tắt điện và rút phích cắm trước khi điều chỉnh hoặc kiểm tra chức năng của dụng cụ.

### Lựa chọn thao tác cắt

► **Hình 1:** 1. Cần chuyển đổi thao tác cắt

Dụng cụ này có thể được vận hành với thao tác cắt đường xoay vòng hoặc đường thẳng (lên và xuống). Thao tác cắt đường xoay vòng đẩy lưỡi cưa lên trên hành trình cắt và làm tăng tốc độ cắt đáng kể. Để thay đổi thao tác cắt, chỉ cần xoay cần chuyển đổi thao tác cắt đến vị trí thao tác cắt mong muốn. Tham khảo bảng để chọn thao tác cắt phù hợp.

Vị trí	Thao tác cắt	Các ứng dụng
0	Thao tác cắt đường thẳng	Để cắt thép mềm, thép không gỉ và nhựa. Để làm sạch vết cắt gỗ và ván ép.
I	Thao tác cắt đường xoay vòng nhỏ	Để cắt thép mềm, nhôm và gỗ cứng.
II	Thao tác cắt đường xoay vòng vừa	Để cắt gỗ và ván ép. Để cắt nhanh nhôm và thép mềm.
III	Thao tác cắt đường xoay vòng lớn	Để cắt nhanh gỗ và ván ép.

## Hoạt động công tắc

► **Hình2:** 1. Cần khởi động công tắc 2. Nút khóa

### ⚠ **THẬN TRỌNG:**

- Trước khi cắm điện vào dụng cụ, luôn luôn kiểm tra xem cần khởi động công tắc có hoạt động bình thường hay không và trả về vị trí "OFF" (TÁT) khi nhả ra.

Để khởi động dụng cụ, chỉ cần kéo cần khởi động công tắc. Nhả cần khởi động công tắc ra để dừng.

Để tiếp tục vận hành, hãy kéo cần khởi động công tắc và sau đó nhấn vào nút khóa.

Để dừng dụng cụ từ vị trí đã khóa, hãy kéo cần khởi động công tắc hết mức, sau đó nhả ra.

## Đĩa điều chỉnh tốc độ

### Đối với 4350CT, 4350FCT

► **Hình3:** 1. Đĩa điều chỉnh tốc độ

Tốc độ dụng cụ có thể được điều chỉnh không giới hạn từ 800 đến 2.800 nhất mỗi phút bằng cách xoay đĩa điều chỉnh. Có thể đạt tốc độ cao hơn khi xoay đĩa này về hướng số 5; đưa về tốc độ thấp hơn khi xoay đĩa về hướng số 1.

Tham khảo bảng để chọn tốc độ phù hợp cho phôi gia công sẽ cắt. Tuy nhiên, tốc độ hợp lý có thể khác nhau theo loại hoặc độ dày của phôi gia công. Nhìn chung, tốc độ cao hơn sẽ giúp bạn cắt phôi nhanh hơn nhưng tuổi thọ của lưỡi cắt sẽ giảm đi.

Phôi gia công cần cắt	Số trên đĩa điều chỉnh
Gỗ	4 - 5
Thép mềm	3 - 5
Thép không rỉ	3 - 4
Nhôm	3 - 5
Nhựa	1 - 4

### ⚠ **THẬN TRỌNG:**

- Đĩa điều chỉnh tốc độ chỉ có thể được xoay tới 5 và trở về 1. Không cố gắng vặn quá 5 hoặc 1, nếu không chức năng điều chỉnh tốc độ có thể không hoạt động nữa.

Dụng cụ được trang bị chức năng điện tử giúp dễ dàng vận hành nhờ các tính năng sau.

## Điều khiển tốc độ không đổi

Điều khiển tốc độ bằng điện tử để có tốc độ không đổi. Có khả năng tạo được bề mặt hoàn thiện đẹp bởi tốc độ xoay được giữ không đổi ngay cả trong điều kiện có tải.

## Tính năng khởi động mềm

Khởi động an toàn và khởi động mềm để tránh bị giật lúc khởi động.

## Bật các đèn

### DDDành riêng cho Kiểu 4350FCT

### ⚠ **THẬN TRỌNG:**

- Đừng nhìn thẳng trực tiếp vào đèn hoặc nguồn sáng.

Để bật đèn, hãy kéo cần khởi động. Nhả cần khởi động để tắt đèn.

### LƯU Ý:

- Dùng vải khô để lau bụi bẩn trên kính đèn. Cần thận trọng được làm xước kính đèn, nếu không đèn có thể bị giảm độ sáng.

## LẮP RÁP

### ⚠ **THẬN TRỌNG:**

- Luôn luôn đảm bảo rằng dụng cụ đã được tắt và tháo phích cắm trước khi dùng dụng cụ thực hiện bất cứ công việc nào.

## Lắp đặt hoặc tháo lưỡi cưa

### ⚠ **THẬN TRỌNG:**

- Luôn lau sạch tất cả phôi hoặc ngoại vật bám vào lưỡi cưa và/hoặc bộ đỡ lưỡi. Không làm như vậy có thể khiến cho lưỡi cưa được siết không đủ chặt dẫn đến thương tích cá nhân nghiêm trọng.
- Không chạm vào lưỡi cưa hay phôi gia công ngay sau khi vận hành; chúng có thể rất nóng và gây bỏng da.
- Vặn chặt lưỡi cưa một cách an toàn. Không làm như vậy có thể gây ra thương tích nghiêm trọng.
- Khi bạn tháo lưỡi cưa, phải cẩn thận không để đầu lưỡi cưa hoặc những chóp phôi gia công làm tổn thương các ngón tay của bạn.

Để lắp lưỡi cưa, mở bộ mở dụng cụ đến vị trí như minh họa trong hình.

► **Hình4:** 1. Bộ mở dụng cụ

Giữ nguyên trạng thái đó, lắp lưỡi cưa vào kẹp lưỡi cưa hết mức sao cho không thể nhìn thấy hai chỗ nhỏ ra trên lưỡi.

► **Hình5:** 1. Kẹp lưỡi cưa 2. Lưỡi cưa lọng 3. Gờ nhô ra

Trả bộ mở dụng cụ trở về vị trí ban đầu.

Sau khi lắp, hãy luôn đảm bảo rằng lưỡi cưa đã được giữ chắc chắn đúng vị trí bằng cách thử kéo ra.

### ⚠ **THẬN TRỌNG:**

- Không mở bộ mở dụng cụ quá mức vì điều đó có thể làm hỏng dụng cụ.

Để tháo lưỡi cưa, mở bộ mở dụng cụ đến vị trí như minh họa trong hình. Kéo lưỡi cưa ra về hướng đế.

► **Hình6:** 1. Lưỡi cưa lọng

#### LƯU Ý:

- Thành thạo bôi trơn trục xoay.

### Cắt giữ cờ lê lục giác

- **Hình7:** 1. Đế 2. Cờ lê lục giác

Khi không sử dụng, cờ lê lục giác có thể được cắt giữ thuận tiện.

## VẬN HÀNH

#### ⚠ THẬN TRỌNG:

- Cầm chắc dụng cụ bằng một tay trên tay cầm chính khi dùng dụng cụ. Nếu cần thiết, có thể đỡ bộ phận phía trước của dụng cụ bằng tay kia.
- Luôn giữ để ngang bằng với phôi gia công. Không làm như vậy có thể gây vỡ nứt lưỡi cưa, dẫn đến thương tích nghiêm trọng.

- **Hình8:** 1. Đường cắt 2. Đế

Bật dụng cụ lên và chờ đến khi lưỡi cưa đạt tốc độ tối đa. Sau đó đặt phần đế dụng cụ lên phôi gia công và nhẹ nhàng di chuyển dụng cụ về phía trước dọc theo đường cắt đã đánh dấu trước đó. Khi cắt đường cong, đưa dụng cụ về trước thật chậm.

### Cắt xiên góc

#### ⚠ THẬN TRỌNG:

- Luôn đảm bảo rằng dụng cụ này đã được tắt và rút phích cắm trước khi để nghiêng phần đế.

Với phần đế bị nghiêng, bạn có thể thực hiện cắt xiên góc ở bất kỳ góc nào giữa 0° và 45° (trái hoặc phải).

- **Hình9**

Nới lỏng bu-lông ở phía sau đế bằng cờ lê sáu cạnh. Di chuyển phần đế sao cho bu-lông được đặt ở vị trí trung tâm của khe vát trong đế.

- **Hình10:** 1. Đế 2. Bu-lông 3. Cờ lê lục giác

Nghiêng phần đế cho đến khi đạt được góc xiên mong muốn. Khắc chữ V của vỏ hộp số chỉ ra góc xiên nhờ vạch chia độ. Sau đó vận thật chặt bu-lông để giữ phần đế.

- **Hình11:** 1. Vạch chia độ 2. Khe vát 3. Đế 4. Vỏ hộp số 5. Khắc chữ V 6. Bu-lông

### Cắt ngang về trước

- **Hình12:** 1. Đế 2. Bu-lông 3. Cờ lê lục giác

Nới lỏng bu-lông trên phía sau đế bằng cờ lê sáu cạnh và trượt đế hết mức ra sau. Sau đó vận chặt bu-lông để giữ phần đế.

## Phần cắt rời

Có thể thực hiện các phần cắt rời bằng cả hai phương pháp A hoặc B.

### A) Khoan lỗ khởi đầu:

- **Hình13:** 1. Lỗ khởi đầu

Đối với phần cắt rời bên trong mà không cần cắt dẫn vào từ mép, khoan trước một lỗ khởi đầu có đường kính 12 mm hoặc hơn. Lắp lưỡi cưa vào lỗ này để bắt đầu cắt.

### B) Cắt chìm:

- **Hình14**

Bạn không cần khoan lỗ khởi đầu hoặc thực hiện cắt dẫn vào nếu bạn cẩn thận làm như sau.

- (1) Nghiêng dụng cụ lên trên cạnh phía trước của đế với điểm lưỡi đặt ở vị trí ngay phía trên bề mặt phôi gia công.
- (2) Dùng lực lên dụng cụ sao cho cạnh phía trước của đế sẽ không di chuyển khi bạn bật dụng cụ và nhẹ nhàng hạ phần đầu phía sau của dụng cụ xuống.
- (3) Khi lưỡi chọc thủng phôi gia công, từ từ hạ đế dụng cụ xuống trên bề mặt phôi gia công.
- (4) Hoàn tất việc cắt theo cách thông thường.

## Cạnh hoàn thiện

- **Hình15**

Để cắt các cạnh hoặc thực hiện điều chỉnh kích thước, chạy nhẹ lưỡi cưa dọc theo mép cắt.

## Cắt kim loại

Luôn sử dụng chất làm mát phù hợp (dầu làm nguội) khi cắt kim loại. Không làm như vậy sẽ làm lưỡi cưa bị mòn đáng kể. Mặt dưới của phôi gia công có thể được bôi trơn thay vì sử dụng chất làm mát.

## Hệ thống xử lý bụi

- **Hình16:** 1. Vòi xả bụi 2. Đế

- **Hình17**

Khuyến nghị sử dụng vòi xả bụi (phụ kiện) để thực hiện các thao tác cắt sạch.

Để gắn vòi xả bụi vào dụng cụ, hãy lắp móc của vòi xả bụi vào lỗ trên đế.

Vòi xả bụi có thể được lắp bên trái hoặc bên phải của đế.

Sau đó nối máy hút bụi cầm tay hoạt động bằng động cơ điện Makita vào vòi xả bụi.

- **Hình18:** 1. Vòi xả bụi 2. Ống dẫn cho máy hút bụi

#### ⚠ THẬN TRỌNG:

- Nếu bạn cố dùng sức tháo vòi xả bụi, móc của vòi xả bụi có thể bị giảm hiệu quả và vô tình rơi ra trong quá trình hoạt động.

## Bộ thanh cữ (phụ kiện tùy chọn)

### ⚠️ THẬN TRỌNG:

- Luôn đảm bảo rằng dụng cụ này đã được tắt và rút phích cắm trước khi lắp hoặc tháo gỡ phụ kiện.

## 1. Cắt thẳng

► **Hình19:** 1. Thanh cữ

► **Hình20:** 1. Cờ lê lục giác 2. Bu-lông 3. Tấm chắn dẫn hướng

Khi cắt liên tục với chiều rộng từ 160 mm trở xuống, sử dụng thanh cữ sẽ đảm bảo cắt thẳng, sạch, nhanh. Để lắp đặt, lắp thanh cữ vào lỗ hình chữ nhật nằm bên hông của phần đế dụng cụ với tấm chắn dẫn hướng nằm hướng xuống. Trượt thanh cữ đến vị trí có chiều rộng cắt mong muốn, sau đó vặn chặt bu-lông để giữ thanh cữ.

## 2. Cắt đường tròn

► **Hình21**

► **Hình22:** 1. Tấm chắn dẫn hướng 2. Núm có ren 3. Chốt thanh dẫn vòng tròn

Khi cắt đường tròn hoặc đường vòng cung có bán kính từ 170 mm trở xuống, hãy lắp đặt thanh cữ như sau.

Lắp thanh cữ vào lỗ hình chữ nhật nằm bên hông của phần đế với tấm chắn dẫn hướng nằm hướng lên. Lắp chốt thanh dẫn vòng tròn qua cả hai lỗ trên tấm chắn dẫn hướng. Bật vít núm có ren lên chốt để giữ chốt.

Bây giờ hãy trượt thanh cữ đến bán kính cắt mong muốn, và vặn chặt bu-lông để giữ chặt thanh cữ vào đúng vị trí. Sau đó di chuyển phần đế về trước hết mức có thể.

### LƯU Ý:

- Luôn sử dụng lưới của Số B-17, B-18, B-26 hoặc B-27 khi cắt đường tròn hoặc đường vòng cung.

## Bộ chuyển ray dẫn hướng (phụ kiện)

► **Hình23**

Khi cắt song song và độ rộng đồng đều hoặc cắt thẳng, sử dụng các thanh ray dẫn và bộ chuyển ray dẫn hướng sẽ đảm bảo việc sản xuất nhanh chóng và các vết cắt gọn gàng.

Để lắp đặt bộ chuyển ray dẫn hướng, lắp thanh thước vào lỗ hình vuông trên bộ đỡ hết mức có thể. Siết chặt bu lông bằng cờ lê sáu cạnh.

► **Hình24:** 1. Bu-lông 2. Thanh thước

Lắp bộ chuyển ray dẫn hướng trên ray của thanh ray dẫn. Lắp thanh thước vào lỗ hình vuông của bộ chuyển ray dẫn hướng. Đặt đế sang bên hông của thanh ray dẫn và vặn chặt bu-lông.

► **Hình25:** 1. Vít 2. Bộ chuyển ray dẫn hướng 3. Thanh ray dẫn

### ⚠️ THẬN TRỌNG:

- Luôn luôn sử dụng lưới số B-8, B-13, B-16, B-17 hoặc 58 khi sử dụng thanh ray dẫn và bộ chuyển ray dẫn hướng.

## Nắp che

► **Hình26:** 1. Nắp che 2. Đế

Sử dụng nắp che khi cắt tấm trang trí, nhựa, v.v... Nó giúp bảo vệ các bề mặt nhạy cảm hoặc mỏng manh khỏi bị hư hại. Cố định nó từ đằng sau để dụng cụ.

## Thiết bị chống mảnh vụn

► **Hình27:** 1. Đế 2. Thiết bị chống mảnh vụn

Đề cắt không có mảnh vụn, có thể sử dụng thiết bị chống mảnh vụn. Để lắp đặt thiết bị chống mảnh vụn, di chuyển phần đế của dụng cụ về trước hết mức và cố định nó từ đằng sau để dụng cụ. Khi bạn sử dụng nắp che, hãy lắp đặt thiết bị chống mảnh vụn vào nắp che.

### ⚠️ THẬN TRỌNG:

- Thiết bị chống mảnh vụn không thể sử dụng được khi thực hiện cắt xiên góc.

## BẢO TRÌ

### ⚠️ THẬN TRỌNG:

- Luôn bảo đảm rằng dụng cụ được tắt điện và rút phích cắm trước khi thử thực hiện việc kiểm tra hoặc bảo trì.
- Không được phép dùng xăng, ét xăng, dung môi, cồn hoặc hóa chất tương tự. Có thể xảy ra hiện tượng mất màu, biến dạng hoặc nứt vỡ.

Để đảm bảo AN TOÀN và TIN CẬY của sản phẩm, việc sửa chữa, việc kiểm tra và thay thế chổi các-bon, hoặc bất cứ thao tác bảo trì, điều chỉnh nào đều phải được thực hiện bởi các Trung tâm Dịch vụ Được Ủy quyền của Makita, luôn sử dụng các phụ tùng thiết bị thay thế của Makita.

# PHỤ KIỆN TỰY CHỌN

## **⚠ THẬN TRỌNG:**

- Các phụ kiện hoặc phụ tùng gắn thêm này được khuyến cáo sử dụng với dụng cụ Makita của bạn theo như quy định trong hướng dẫn này. Việc sử dụng bất cứ phụ kiện hoặc phụ tùng gắn thêm nào khác đều có thể gây ra rủi ro thương tích cho người. Chỉ sử dụng phụ kiện hoặc phụ tùng gắn thêm cho mục đích đã quy định sẵn của chúng.

Nếu bạn cần bất kỳ sự hỗ trợ nào để biết thêm chi tiết về các phụ tùng này, hãy hỏi Trung tâm Dịch vụ của Makita tại địa phương của bạn.

- Các lưới cửa lọng
- Khóa lục giác 4
- Bộ thanh cữ (thước dẫn)
- Bộ chuyển ray dẫn hướng
- Bộ thanh ray dẫn
- Thiết bị chống mảnh vụn
- Vòi xả bụi
- Nắp che
- Ống nối (Cho máy hút bụi)

## **LƯU Ý:**

- Một số mục trong danh sách có thể được bao gồm trong gói dụng cụ làm phụ kiện tiêu chuẩn. Các mục này ở mỗi quốc gia có thể khác nhau.

## ข้อมูลจำเพาะ

รุ่น		4350T	4350CT	4350FCT
ความยาวของระยะชัก		26 mm	26 mm	26 mm
ความสามารถในการตัดสูงสุด	ไม้	135 mm	135 mm	135 mm
	เหล็กกล้า	10 mm	10 mm	10 mm
	อะลูมิเนียม	20 mm	20 mm	20 mm
อัตราการชักต่อนาที (min <sup>-1</sup> )		2,800	800 - 2,800	800 - 2,800
ความยาวโดยรวม		236 mm	236 mm	236 mm
น้ำหนักสุทธิ		2.7 kg	2.7 kg	2.7 kg
มาตรฐานความปลอดภัย		□/II		

- เนื่องจากการค้นคว้าวิจัยและพัฒนาอย่างต่อเนื่อง ข้อมูลจำเพาะในเอกสารฉบับนี้อาจเปลี่ยนแปลงได้โดยไม่ต้องแจ้งให้ทราบล่วงหน้า
- ข้อมูลจำเพาะอาจแตกต่างกันไปในแต่ละประเทศ
- น้ำหนักตามข้อบังคับของ EPTA 01/2014

### สัญลักษณ์

สัญลักษณ์ต่อไปนี้ใช้สำหรับอุปกรณ์นี้ โปรดศึกษาความหมายของสัญลักษณ์ให้เข้าใจก่อนการใช้งาน



อ่านคู่มือการใช้งาน



ฉนวนสองชั้น



สำหรับประเทศในทวีปยุโรปเท่านั้น ห้ามทิ้งอุปกรณ์ไฟฟ้าพร้อมกับวัสดุเหลือทิ้งในครัวเรือน!  
เพื่อให้เป็นไปตามตามกฎระเบียบของยุโรปว่าด้วยเศษเหลือทิ้งของอุปกรณ์ไฟฟ้าและอิเล็กทรอนิกส์ รวมถึงการบังคับใช้ตามกฎหมายภายในประเทศ ต้องเก็บอุปกรณ์ไฟฟ้าที่หมดอายุการใช้งานแล้วแยกต่างหาก และส่งกลับไปยังศูนย์รีไซเคิลที่เป็นมิตรต่อสิ่งแวดล้อม

### จุดประสงค์ในการใช้งาน

เครื่องมือนี้ใช้สำหรับเลื่อยไม้ พลาสติก และโลหะ เนื่องจากโปรแกรมของอุปกรณ์เสริมและใบเลื่อย เครื่องมือนี้จึงสามารถใช้ได้หลากหลายวัตถุประสงค์ และเหมาะสำหรับการตัดโค้งหรือตัดเป็นวงกลม

### แหล่งจ่ายไฟ

ควรเชื่อมต่อเครื่องมือกับแหล่งจ่ายไฟที่มีแรงดันไฟฟ้าตามที่ระบุไว้ในป้ายข้อมูลของเครื่องมือ และต้องใช้ไฟฟ้ากระแสสลับแบบเฟสเดียวเท่านั้น อุปกรณ์นี้ได้รับการหุ้มฉนวนสองชั้นและสามารถใช้กับปลั๊กไฟที่ไม่มีสายดินได้

### คำเตือนด้านความปลอดภัยของเครื่องมือไฟฟ้าทั่วไป

**คำเตือน:** โปรดอ่านคำเตือนด้านความปลอดภัย คำแนะนำ ภาพประกอบ และข้อมูลจำเพาะต่างๆ ที่ให้มา กับเครื่องมือไฟฟ้าอย่างละเอียด การไม่ปฏิบัติตามคำแนะนำดังต่อไปนี้อาจส่งผลให้เกิดไฟฟ้าช็อต ไฟไหม้ และ/หรือได้รับบาดเจ็บอย่างร้ายแรงได้

### เก็บรักษาคำเตือนและคำแนะนำทั้งหมดไว้เป็นข้อมูลอ้างอิงในอนาคต

คำว่า "เครื่องมือไฟฟ้า" ในคำเตือนนี้หมายถึงเครื่องมือไฟฟ้า (มีสาย) ที่ทำงานโดยใช้กระแสไฟฟ้าหรือเครื่องมือไฟฟ้า (ไร้สาย) ที่ทำงานโดยใช้แบตเตอรี่

### ความปลอดภัยของพื้นที่ทำงาน

1. ดูแลพื้นที่ทำงานให้มีความสะอาดและมีแสงไฟสว่าง พื้นที่ที่กระเบื้องกระเบื้องหรือมีดที่บอบนำไปสู่การเกิดอุบัติเหตุได้



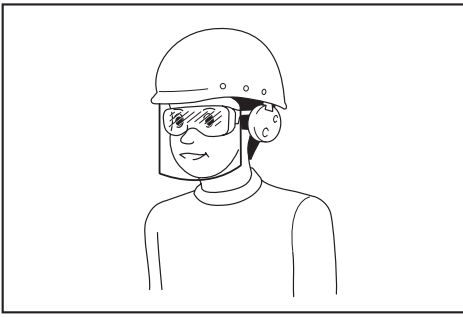
2. อย่าใช้งานเครื่องมือไฟฟ้าในสภาพที่อาจเกิดการระเบิด เช่น ในสถานที่ที่มีของเหลว ก๊าซ หรือฝุ่นผงที่มีคุณสมบัติไวไฟ เครื่องมือไฟฟ้าอาจสร้างประกายไฟและจุดชนวนฝุ่นผงหรือก๊าซดังกล่าว
3. ดูแลไม่ให้มีเด็ก ๆ หรือบุคคลอื่นอยู่ในบริเวณที่กำลังใช้เครื่องมือไฟฟ้า การมีสิ่งรบกวนสมาธิอาจทำให้คุณสูญเสียการควบคุม

**ความปลอดภัยด้านไฟฟ้า**

1. ปลั๊กของเครื่องมือไฟฟ้าต้องพอดีกับเต้ารับ อย่าดัดแปลงปลั๊กไม่ว่ากรณีใดๆ อย่าใช้ปลั๊กอะแดปเตอร์กับเครื่องมือไฟฟ้าที่ต่อสายดิน ปลั๊กที่ไม่ถูกดัดแปลงและเต้ารับที่เข้ากันพอดีจะช่วยลดความเสี่ยงของการเกิดไฟฟ้าช็อต
2. ระวังอย่าให้ร่างกายสัมผัสกับพื้นผิวที่ต่อสายดิน เช่น ท่อ เครื่องนำความร้อน เตาहुงต้ม และตู้เย็น มีความเสี่ยงที่จะเกิดไฟฟ้าช็อตสูงขึ้น หากร่างกายของคุณสัมผัสกับพื้น
3. อย่าให้เครื่องมือไฟฟ้าถูกน้ำหรืออยู่ในสภาพเปียกชื้น น้ำที่ไหลเข้าไปในเครื่องมือไฟฟ้าจะเพิ่มความเสี่ยงของการเกิดไฟฟ้าช็อต
4. อย่าใช้สายไฟอย่างไม่เหมาะสม อย่าใช้สายไฟเพื่อยก ดึง หรือถอดปลั๊กเครื่องมือไฟฟ้า เก็บสายไฟให้ห่างจากความร้อน น้ำมัน ของมีคม หรือชิ้นส่วนที่เคลื่อนที่ สายที่ชำรุดหรือพันกันจะเพิ่มความเสี่ยงของการเกิดไฟฟ้าช็อต
5. ขณะที่ใช้งานเครื่องมือไฟฟ้านอกอาคาร ควรใช้สายต่อพ่วงที่เหมาะสมกับงานภายนอกอาคาร การใช้สายที่เหมาะสมกับงานภายนอกอาคารจะลดความเสี่ยงของการเกิดไฟฟ้าช็อต
6. หากต้องใช้งานเครื่องมือไฟฟ้าในสถานที่เปียกชื้น ให้ใช้อุปกรณ์ป้องกันกระแสไฟรั่ว (RCD) การใช้ RCD จะลดความเสี่ยงของการเกิดไฟฟ้าช็อต
7. แนะนำให้ใช้แหล่งจ่ายไฟผ่าน RCD ที่มีกระแสไฟรั่วในอัตราไม่เกิน 30 mA เสมอ
8. เครื่องมือไฟฟ้าอาจสร้างสนามแม่เหล็ก (EMF) ที่ไม่เป็นอันตรายต่อผู้ใช้ อย่างไรก็ตาม ผู้ใช้ที่ใส่เครื่องกระตุ้นหัวใจและอุปกรณ์ทางการแพทย์ที่คล้ายกันนี้ ควรติดต่อผู้ผลิตอุปกรณ์และ/หรือแพทย์เพื่อรับคำแนะนำก่อนใช้งานเครื่องมือไฟฟ้านี้
9. อย่าจับปลั๊กไฟด้วยมือที่เปียก
10. หากสายไฟชำรุด โปรดให้ผู้ผลิตหรือตัวแทนของผู้ผลิตเปลี่ยนให้ เพื่อหลีกเลี่ยงอันตราย

**ความปลอดภัยส่วนบุคคล**

1. ให้ระมัดระวังและมิดชิดอยู่เสมอขณะใช้งานเครื่องมือไฟฟ้า อย่าใช้งานเครื่องมือไฟฟ้าในขณะที่คุณกำลังเหนื่อย หรือในสภาพที่มึนเมาจากยาเสพติด เครื่องดื่ม แอลกอฮอล์ หรือการกินยา ช่วงเวลาที่ขาดความระมัดระวังเมื่อกำลังใช้งานเครื่องมือไฟฟ้าอาจทำให้ได้รับบาดเจ็บร้ายแรง
2. ใช้อุปกรณ์ป้องกันส่วนบุคคล สวมแว่นตาป้องกันเสมอ อุปกรณ์ป้องกัน เช่น หน้ากากกันฝุ่น รองเท้านิรภัยกันสั่น หมวกนิรภัย หรือเครื่องป้องกันการได้ยินที่ใช้ในสภาพที่เหมาะสมจะช่วยลดการบาดเจ็บ
3. ป้องกันไม่ให้เกิดการเปิดใช้งานโดยไม่ได้ตั้งใจ ตรวจสอบให้แน่ใจว่าสวิตช์ปิดอยู่ก่อนที่จะเชื่อมต่อกับแหล่งจ่ายไฟ และ/หรือชุดแบตเตอรี่ รวมทั้งตรวจสอบก่อนการยกหรือเคลื่อนย้ายเครื่องมือ การสอดนิ้วมือบริเวณสวิตช์เพื่อถือเครื่องมือไฟฟ้า หรือการชาร์จไฟเครื่องมือไฟฟ้าในขณะที่เปิดสวิตช์อยู่อาจนำไปสู่การเกิดอุบัติเหตุ
4. นำกฎแฉปรับตั้งหรือประแจออกก่อนที่จะเปิดเครื่องมือไฟฟ้า ประแจหรือกฎแฉที่เสียบค้างอยู่ในชิ้นส่วนที่หมุนได้ของเครื่องมือไฟฟ้าอาจทำให้ได้รับบาดเจ็บ
5. อย่าทำงานในระยะที่สุดเอื้อม จัดท่ากรยีนและการทรงตัวให้เหมาะสมตลอดเวลา เพราะจะทำให้ควบคุมเครื่องมือไฟฟ้าได้ดีขึ้นในสถานการณ์ที่ไม่คาดคิด
6. แต่งกายให้เหมาะสม อย่าสวมเครื่องแต่งกายที่หลวมเกินไป หรือสวมเครื่องประดับ ดูแลไม่ให้เส้นผมและเสื้อผ้าอยู่ใกล้ชิ้นส่วนที่เคลื่อนที่ เสื้อผ้ารุ่มร่าม เครื่องประดับ หรือผมที่มีความยาวอาจเข้าไปติดในชิ้นส่วนที่เคลื่อนที่
7. หากมีการจัดอุปกรณ์สำหรับดูดและจัดเก็บฝุ่นไว้ในสถานที่ ให้ตรวจสอบว่าได้เชื่อมต่อและใช้งานอุปกรณ์นั้นอย่างเหมาะสม การใช้เครื่องดูดและจัดเก็บฝุ่นจะช่วยลดอันตรายที่เกิดจากฝุ่นผงได้
8. อย่าให้ความคุ้นเคยจากการใช้งานเครื่องมือเป็นประจำทำให้คุณทำตามตัวตามสบายและละเลยหลักการเพื่อความปลอดภัยในการใช้เครื่องมือ การกระทำที่ไม่ระมัดระวังอาจทำให้เกิดการบาดเจ็บร้ายแรงภายในเสี้ยววินาที
9. สวมใส่แว่นครอบตานิรภัยเพื่อปกป้องดวงตาของคุณจากการบาดเจ็บเมื่อใช้เครื่องมือไฟฟ้า แวนครอบตาคจะต้องได้มาตรฐาน ANSI Z87.1 ในสหรัฐอเมริกา, EN 166 ในยุโรป หรือ AS/NZS 1336 ในออสเตรเลีย/นิวซีแลนด์ ในออสเตรเลีย/นิวซีแลนด์ จะต้องสวมเกราะป้องกันใบหน้าเพื่อปกป้องใบหน้าของคุณอย่างถูกต้องตามกฎหมายด้วย



ผู้ว่าจ้างมีหน้าที่รับผิดชอบในการบังคับผู้ใช้งานเครื่องมือและบุคคลอื่นๆ ที่อยู่ในบริเวณที่ปฏิบัติงานให้ใช้อุปกรณ์ป้องกันที่เหมาะสม

#### การใช้และดูแลเครื่องมือไฟฟ้า

1. อย่าฝืนใช้เครื่องมือไฟฟ้า ใช้เครื่องมือไฟฟ้าที่เหมาะสมกับการใช้งานของคุณ เครื่องมือไฟฟ้าที่เหมาะสมจะทำให้ได้งานที่มีประสิทธิภาพและปลอดภัยกว่าตามขีดความสามารถของเครื่องที่ได้รับการออกแบบมา
2. อย่าใช้เครื่องมือไฟฟ้า หากสวิตช์ไม่สามารถเปิดปิดได้ เครื่องมือไฟฟ้าที่ควบคุมด้วยสวิตช์ไม่ได้เป็นสิ่งอันตรายและต้องได้รับการซ่อมแซม
3. ถอดปลั๊กจากแหล่งจ่ายไฟ และ/หรือชุดแบตเตอรี่ออกจากเครื่องมือไฟฟ้าก่อนทำการปรับตั้ง เปลี่ยนอุปกรณ์เสริม หรือจัดเก็บเครื่องมือไฟฟ้า วิธีการป้องกันด้านความปลอดภัยดังกล่าวจะช่วยลดความเสี่ยงในการเปิดใช้งานเครื่องมือไฟฟ้าโดยไม่ตั้งใจ
4. จัดเก็บเครื่องมือไฟฟ้าที่ไม่ได้ใช้งานให้ห่างจากมือเด็ก และอย่าอนุญาตให้บุคคลที่ไม่คุ้นเคยกับเครื่องมือไฟฟ้าหรือคำแนะนำเหล่านี้ใช้งานเครื่องมือไฟฟ้า เครื่องมือไฟฟ้าจะเป็นอันตรายเมื่ออยู่ในมือของผู้ที่ไม่ได้รับการฝึกอบรม
5. บำรุงรักษาเครื่องมือไฟฟ้าและอุปกรณ์เสริม ตรวจสอบการประกอบที่ไม่ถูกต้องหรือการเชื่อมต่อของชิ้นส่วนที่เคลื่อนที่ การแตกหักของชิ้นส่วน หรือสภาพอื่น ๆ ที่อาจส่งผลกระทบต่อการทำงานของเครื่องมือไฟฟ้า หากมีความเสียหาย ให้นำเครื่องมือไฟฟ้าไปซ่อมแซมก่อนการใช้งาน อุบัติเหตุจำนวนมากเกิดจากการดูแลรักษาเครื่องมือไฟฟ้าอย่างไม่ถูกต้อง
6. ทำความสะอาดเครื่องมือตัดและลับให้คมอยู่เสมอ เครื่องมือการตัดที่มีการดูแลอย่างถูกต้องและมิชอบการตัดคมมักจะมีปัญหาติดขัดน้อยและควบคุมได้ง่ายกว่า

7. ใช้เครื่องมือไฟฟ้า อุปกรณ์เสริม และวัสดุสิ้นเปลือง ฯลฯ ตามคำแนะนำดังกล่าว พิจารณาสภาพการทำงานและงานที่จะลงมือทำ การใช้เครื่องมือไฟฟ้าเพื่อทำงานอื่นนอกเหนือจากที่กำหนดไว้อาจทำให้เกิดอันตราย
8. ดูแลมือจับและบริเวณมือจับให้แห้ง สะอาด และไม่มีน้ำมันและจาระบีเปื้อน มือจับและบริเวณมือจับที่ลื่นจะทำให้ไม่สามารถจับและควบคุมเครื่องมือได้อย่างปลอดภัยในสถานการณ์ที่ไม่คาดคิด
9. ขณะใช้งานเครื่องมือ อย่าสวมใส่ถุงมือผ้าที่อาจเข้าไปติดในเครื่องมือได้ หากถุงมือผ้าเข้าไปติดในชิ้นส่วนที่กำลังเคลื่อนที่ที่อยู่อาจทำให้ได้รับบาดเจ็บ

#### การซ่อมบำรุง

1. นำเครื่องมือไฟฟ้าเข้ารับบริการจากช่างซ่อมที่ผ่านการรับรองโดยใช้อะไหล่แบบเดียวกันเท่านั้น เพราะจะทำให้การใช้เครื่องมือไฟฟ้ามีความปลอดภัย
2. ปฏิบัติตามคำแนะนำในการหล่อนัดและการเปลี่ยนอุปกรณ์เสริม

#### คำเตือนด้านความปลอดภัยของเลื่อยถูลูก

1. ถือเครื่องมือบริเวณมือจับที่เป็นคนวน ขณะทำงานที่เครื่องมือตัดอาจสัมผัสกับสายไฟที่ซ่อนอยู่หรือสายไฟของเครื่องเอง เครื่องมือตัดที่สัมผัสกับสายไฟที่ “มีกระแสไฟฟ้าไหลผ่าน” อาจทำให้ส่วนที่เป็นโลหะของเครื่องมือไฟฟ้าที่ไม่มีฉนวนหุ้ม “มีกระแสไฟฟ้าไหลผ่าน” และทำให้ผู้ปฏิบัติงานถูกไฟฟ้าช็อตได้
2. ใช้ปากกาจับหรือวิธีการปฏิบัติอื่นๆ เพื่อยึดและรองรับชิ้นงานไว้บนพื้นที่ที่มั่นคง การใช้มือจับชิ้นงานหรือยึดชิ้นงานไว้กับร่างกายจะทำให้เกิดความไม่มั่นคงและสูญเสียการควบคุมได้
3. สวมแว่นตานิรภัยหรือแว่นครอบตาเสมอ แว่นตาปกติหรือแว่นกันแดดไม่ใช่แว่นนิรภัย
4. หลีกเลี่ยงการตัดตะปู ตรวจสอบหาตะปูในชิ้นงานและถอนตะปูออกก่อนทำงาน
5. อย่าตัดชิ้นงานที่มีขนาดใหญ่เกินไป
6. ตรวจสอบสิ่งที่อยู่โดยรอบชิ้นงานก่อนการตัดเพื่อป้องกันไม่ให้ใบเลื่อยโดนพื้น โต๊ะ ฯลฯ
7. จับเครื่องมือให้แน่น
8. ตรวจสอบให้แน่ใจว่าใบมีดนั้นไม่ได้สัมผัสกับชิ้นงานก่อนที่จะเปิดสวิตช์
9. ระมัดระวังให้มือสัมผัสกับชิ้นส่วนที่เคลื่อนที่
10. อย่าปล่อยให้เครื่องมือทำงานค้างไว้ ใช้งานเครื่องมือในขณะที่ถืออยู่เท่านั้น

11. ปิดสวิตช์และรอจนกว่าใบเลื่อยหยุดนิ่งสนิทก่อนที่จะเอาใบเลื่อยออกจากชิ้นงาน
12. ห้ามสัมผัสกับใบเลื่อยหรือชิ้นงานทันทีที่ทำงานเสร็จเนื่องจากดอกไขควงหรือชิ้นงานอาจมีความร้อนสูงและลวกผิวหนังของคุณได้
13. อย่าใช้เครื่องมือโดยเปิดเครื่องทิ้งไว้เฉยๆ โดยไม่จำเป็น
14. วัสดุบางอย่างอาจมีสารเคมีที่เป็นพิษ ระวังอย่าสูดดมฝุ่นหรือสัมผัสกับผิวหนัง ปฏิบัติตามข้อมูลด้านความปลอดภัยของผู้ผลิตวัสดุ
15. ใช้หน้ากากกันฝุ่น/คว้นพิษที่เหมาะสมกับวัสดุและการทำงานที่คุณกำลังทำงานเสมอ

### ปฏิบัติตามคำแนะนำเหล่านี้

**คำเตือน:** อย่าให้ความไม่ระมัดระวังหรือความคุ้นเคยกับผลิตภัณฑ์ (จากการใช้งานซ้ำหลายครั้ง) อยู่เหนือการปฏิบัติตามกฎเกณฑ์ด้านความปลอดภัยในการใช้งานผลิตภัณฑ์อย่างเคร่งครัด การใช้งานอย่างไม่เหมาะสมหรือการไม่ปฏิบัติตามกฎเกณฑ์ด้านความปลอดภัยในคู่มือการใช้งานนี้อาจทำให้ได้รับบาดเจ็บร้ายแรง

### คำอธิบายการทำงาน

#### ข้อควรระวัง:

- ตรวจสอบให้แน่ใจเสมอว่าปิดสวิตช์เครื่องมือและถอดปลั๊กออกแล้วก่อนทำการปรับหรือตรวจสอบการทำงานบนเครื่องมือ

### การเลือกวิธีการตัด

- **หมายเลข 1:** 1. ก้านเปลี่ยนวิธีการตัด

เครื่องมือนี้สามารถทำงานในการตัดเป็นเส้นวงกลมหรือเส้นตรง (ขึ้นหรือลง) ได้ การตัดเป็นวงกลมจะดันใบเลื่อยลงไปข้างหน้าตามจังหวะการชักใบเลื่อยและจะเพิ่มความเร็วในการตัดขึ้นอย่างมาก

หากต้องการเปลี่ยนวิธีการตัด ให้หมุนก้านเปลี่ยนวิธีการตัดไปยังตำแหน่งวิธีการตัดที่ต้องการ โปรดดูตารางเพื่อเลือกวิธีการตัดที่เหมาะสม

ตำแหน่ง	วิธีการตัด	วิธีใช้งาน
0	การตัดเป็นเส้นตรง	สำหรับตัดเหล็กเหนียว สแตนเลสสตีล และพลาสติก สำหรับตัดไม้และไม่ตัดอย่างเรียบ
I	การตัดเป็นวงกลมขนาดเล็ก	สำหรับตัดเหล็กเหนียว อะลูมิเนียม และไม้เนื้อแข็ง
II	การตัดเป็นวงกลมขนาดกลาง	สำหรับตัดไม้และไม่ตัดสำหรับตัดอะลูมิเนียมและเหล็กเหนียวอย่างรวดเร็ว
III	การตัดเป็นวงกลมขนาดใหญ่	สำหรับตัดไม้และไม่ตัดอย่างรวดเร็ว

### การทำงานของสวิตช์

- **หมายเลข 2:** 1. สวิตช์สั่งงาน 2. ปุ่มล๊อค

#### ข้อควรระวัง:

- ก่อนเสียบปลั๊กเครื่องมือ ให้ตรวจสอบเพื่อดูว่าสวิตช์สั่งงานทำงานอย่างถูกต้องและกลับไปตำแหน่ง "OFF" (ปิด) เมื่อปล่อยเสมอ

การเริ่มใช้งานเครื่องมือ เพียงแคกดสวิตช์สั่งงาน ปล่อยสวิตช์สั่งงานเพื่อหยุดการทำงาน สำหรับการงานต่อเนื่อง ให้กดสวิตช์สั่งงาน แล้วดันปุ่มล๊อคเข้า

การหยุดใช้งานเครื่องมือจากตำแหน่งล๊อค ให้กดสวิตช์สั่งงานจนสุดแล้วปล่อย

### แป้นปรับความเร็ว

#### สำหรับ 4350CT, 4350FCT

- **หมายเลข 3:** 1. แป้นปรับความเร็ว

ความเร็วของเครื่องมือสามารถปรับในระดับใดก็ได้ตั้งแต่ 800 ถึง 2,800 ครั้งต่อนาทีโดยการหมุนแป้นปรับ คุณสามารถปรับความเร็วให้เร็วขึ้นได้โดยการหมุนไปทางหมายเลข 5 และปรับความเร็วให้ช้าลงได้โดยการหมุนปรับไปทางหมายเลข 1

โปรดดูตารางเพื่อเลือกความเร็วที่เหมาะสมสำหรับชิ้นงานที่ต้องการตัด อย่างไรก็ตาม ความเร็วที่เหมาะสมอาจแตกต่างกันไปตามประเภทหรือความหนาของชิ้นงาน โดยทั่วไปแล้วความเร็วที่สูงกว่าจะทำให้คุณตัดชิ้นงานได้เร็วกว่าแต่อายุการใช้งานของใบเลื่อยจะลดลง

ชิ้นงานที่ต้องการตัด	ตัวเลขบนแป้นปรับ
ไม้	4 - 5
เหล็กเหนียว	3 - 5
สแตนเลสสตีล	3 - 4
อะลูมิเนียม	3 - 5
พลาสติก	1 - 4

### ⚠️ ข้อควรระวัง:

- เป็นปรับความเร็วสามารถหมุนไปจนสุดที่หมายเลข 5 และหมุนกลับจนถึงหมายเลข 1 อย่าฝืนหมุนเกินหมายเลข 5 หรือ 1 ไม่เช่นนั้นฟังก์ชันการปรับความเร็วอาจไม่สามารถใช้งานได้

เครื่องมือที่มีฟังก์ชันอิเล็กทรอนิกส์ชนิดนี้ใช้งานได้ง่ายเนื่องจากคุณสมบัติดังต่อไปนี้

### ระบบควบคุมความเร็วคงที่

ระบบการควบคุมความเร็วอิเล็กทรอนิกส์เพื่อควบคุมความเร็วให้คงที่ตามต้องการ ช่วยให้ได้ผลงานที่ละเอียด เนื่องจากความเร็วในการหมุนเป็นไปอย่างคงที่และสม่ำเสมอแม้ว่าจะอยู่ในสภาวะทำงานหนักก็ตาม

### คุณสมบัติซอฟต์แวร์

การเริ่มทำงานอย่างนุ่มนวลและปลอดภัยเนื่องจากการป้องกันการสะท้อนในการเริ่มทำงาน

### การเปิดดวงไฟ

### สำหรับรุ่น 4350FCT เท่านั้น

#### ⚠️ ข้อควรระวัง:

- อย่ามองเข้าไปในดวงไฟหรือจ้องดูแหล่งกำเนิดแสงโดยตรง

เมื่อต้องการเปิดไฟ ให้ดึงสวิตช์สั่งงาน ปลดสวิตช์สั่งงานเพื่อปิดไฟ

#### หมายเหตุ:

- ใช้ผ้าแห้งเพื่อเช็ดสิ่งสกปรกออกจากเลนส์ของดวงไฟ ระวังอย่าขีดข่วนเลนส์ของดวงไฟ ไม่เช่นนั้นอาจทำให้ส่องสว่างได้น้อยลง

### การประกอบ

#### ⚠️ ข้อควรระวัง:

- ตรวจสอบให้แน่ใจเสมอว่าปิดสวิตช์เครื่องมือและถอดปลั๊กออกแล้วก่อนดำเนินการใดๆ กับเครื่องมือ

### การติดตั้งหรือการถอดไบเลื่อย

#### ⚠️ ข้อควรระวัง:

- ทำความสะอาดเศษชิ้นส่วนหรือสิ่งแปลกปลอมที่ติดอยู่กับไบเลื่อยและ/หรือที่ยึดไบมีดเสมอ มิฉะนั้นอาจทำให้ชิ้นไบเลื่อยไม่แน่นพอ ซึ่งส่งผลให้เกิดการบาดเจ็บร้ายแรงได้
- อย่าสัมผัสกับไบเลื่อยหรือชิ้นงานทันทีหลังจากการใช้งาน เนื่องจากอาจมีความร้อนสูงและไหม้ผิวหนังคุณได้
- ชิ้นไบเลื่อยให้แน่น มิฉะนั้น อาจส่งผลให้เกิดการบาดเจ็บสาหัสได้
- เมื่อคุณนำไบเลื่อยออก โปรดระมัดระวังไม่ให้นิ้วของคุณบาดเจ็บจากส่วนบนสุดของไบเลื่อยหรือส่วนปลายของชิ้นงาน

ในการติดตั้งไบเลื่อย ให้เปิดตัวเปิดเครื่องมือไปยังตำแหน่งที่แสดงในภาพ

▶ **หมายเลข 4:** 1. ตัวเปิดเครื่องมือ

อยู่ในท่าเดิมต่อไปและใส่ไบเลื่อยเข้าไปในตัวหนีบไบเลื่อยให้ล็อกจนไม่สามารถมองเห็นส่วนที่ยื่นออกมาบนไบเลื่อยทั้งสองจุดได้

▶ **หมายเลข 5:** 1. ตัวหนีบไบเลื่อย 2. ไบเลื่อยฉลุ 3. ส่วนที่ยื่นออกมา

ดันตัวเปิดเครื่องมือกลับสู่ตำแหน่งเดิม หลังจากการติดตั้ง ตรวจสอบให้แน่ใจว่าไบเลื่อยยึดแน่นเข้าที่ที่แล้วโดยลองพยายามดึงออก

#### ⚠️ ข้อควรระวัง:

- อย่าเปิดตัวเปิดเครื่องมือมากเกินไปจนเกินไป มิฉะนั้นอาจทำให้เครื่องมือเสียหายได้

ในการถอดไบเลื่อย ให้เปิดตัวเปิดเครื่องมือไปยังตำแหน่งที่แสดงในภาพ ดึงไบเลื่อยออกทางฐาน

▶ **หมายเลข 6:** 1. ไบเลื่อยฉลุ

#### หมายเหตุ:

- หล่อลื่นรอกเป็นครั้งคราว

## การเก็บประแจหกเหลี่ยม

- **หมายเลข 7:** 1. ฐาน 2. ประแจหกเหลี่ยม
- เมื่อไม่ใช้งาน ประแจหกเหลี่ยมสามารถเก็บได้อย่างสะดวกสบาย

## การใช้งาน

### ⚠ ข้อควรระวัง:

- ใช้มือข้างหนึ่งถือเครื่องมือให้แน่นที่ตามจับเมื่อใช้งานเครื่องมือ หากจำเป็น สามารถเอามืออีกข้างหนึ่งรองรับส่วนหน้าของเครื่องมือได้
- ยึดให้ฐานเป็นระนาบเดียวกับชิ้นงานเสมอ มิฉะนั้นอาจทำให้ใบเลื่อยแตกหัก ซึ่งส่งผลให้เกิดการบาดเจ็บร้ายแรงได้

- **หมายเลข 8:** 1. แนวการตัด 2. ฐาน

เปิดเครื่องมือ และรอกจนกว่าใบเลื่อยจะหมุนที่ความเร็วสูงสุด แล้วจึงวางส่วนแบนของฐานเครื่องมือลงบนชิ้นงานและขยับเครื่องมือไปข้างหน้าอย่างเบาๆ ตามแนวการตัดที่ทำเครื่องหมายไว้ก่อนหน้า ขณะตัดส่วนโค้ง ให้ดันเครื่องมือไปข้างหน้าอย่างช้าๆ

## การตัดมุมเอียง

### ⚠ ข้อควรระวัง:

- ตรวจสอบให้แน่ใจว่าได้ปิดเครื่องมือและถอดปลั๊กก่อนที่จะเอียงฐานประกอบ

เมื่อเอียงฐานแล้ว คุณสามารถทำการตัดมุมเอียงในองศาใดก็ได้ระหว่าง  $0^\circ$  ถึง  $45^\circ$  (ซ้ายหรือขวา)

- **หมายเลข 9**

คลายสลักเกลียวด้านหลังฐานด้วยประแจหกเหลี่ยม ขยับฐานเพื่อให้สลักเกลียวอยู่ในตำแหน่งตรงกลางช่องมุมเอียงบนฐาน

- **หมายเลข 10:** 1. ฐาน 2. สลักเกลียว 3. ประแจหกเหลี่ยม

เอียงฐานจนได้มุมเอียงที่ต้องการ ร่องตัววีของกระปุกเฟืองระนาบมุมเอียงไว้ด้วยเลขบอกระดับ จากนั้นขันสลักเกลียวให้แน่นเพื่อยึดฐาน

- **หมายเลข 11:** 1. เลขบอกระดับ 2. ช่องมุมเอียง 3. ฐาน 4. กระปุกเฟือง 5. ร่องตัววี 6. สลักเกลียว

## การตัดระนาบด้านหน้า

- **หมายเลข 12:** 1. ฐาน 2. สลักเกลียว 3. ประแจหกเหลี่ยม

คลายสลักเกลียวด้านหลังฐานด้วยประแจหกเหลี่ยมและเลื่อนฐานไปด้านหลังจนสุด แล้วขันสลักเกลียวให้แน่นเพื่อยึดฐาน

## การตัด

การตัดสามารถทำได้ด้วยวิธีใดวิธีหนึ่งในสองวิธีนี้ คือ A หรือ B

### A) การเจาะรูหน้า:

- **หมายเลข 13:** 1. รูนำ

สำหรับการตัดภายในโดยไม่มีการตัดนำมาจากขอบ ให้เจาะรูนำขนาดเส้นผ่านศูนย์กลาง 12 mm ขึ้นไปไว้ล่วงหน้า ใส่ใบเลื่อยเข้าไปในรูนี้เพื่อเริ่มต้น

### B) การจ้วงตัด:

- **หมายเลข 14**

คุณไม่จำเป็นต้องเจาะรูนำหรือทำการตัดนำหากคุณปฏิบัติตามต่อไปนี้อย่างระมัดระวัง

- (1) เอียงเครื่องมือขึ้นบนขอบด้านหน้าของฐานโดยให้จุดของใบเลื่อยอยู่เหนือพื้นผิวของชิ้นงาน
- (2) ใช้แรงกดลงบนเครื่องมือเพื่อให้ขอบด้านหน้าของฐานไม่ขยับเมื่อคุณเปิดเครื่องมือ และกดปลายด้านหลังของเครื่องมือลงอย่างเบาๆ และช้าๆ
- (3) เมื่อใบเลื่อยเจาะเข้าไปในชิ้นงาน ให้กดฐานเครื่องมือลงบนพื้นผิวชิ้นงาน
- (4) ตัดให้เสร็จตามปกติ

## การขัดขอบ

- **หมายเลข 15**

การตัดขอบหรือทำการปรับขนาด ให้ดันใบเลื่อยไปตามขอบการตัดเบาๆ

## การตัดโลหะ

ใช้สารหล่อเย็น (น้ำมันตัดกลึง) ที่เหมาะสมเมื่อตัดโลหะเสมอ ไม่เช่นนั้นอาจทำให้ใบเลื่อยสึกหรออย่างรุนแรงได้ ด้านล่างชิ้นงานสามารถทาจาระบีได้แทนการใช้ยาหล่อลื่น

## การตัดฝุ่น

► **หมายเลข 16:** 1. ท่อดักฝุ่น 2. ฐาน

► **หมายเลข 17**

แนะนำให้ใช้ท่อดักฝุ่น (อุปกรณ์เสริม) เพื่อทำความสะอาดงานตัด

ในการติดตั้งท่อดักฝุ่นบนเครื่องมือ ให้ใส่ตะขอของท่อดักฝุ่นเข้าไปในรูบนฐาน

สามารถติดตั้งท่อดักฝุ่นที่ด้านซ้ายหรือด้านขวาของฐานก็ได้ จากนั้นต่อที่ท่อดักฝุ่น Makita เข้ากับท่อดักฝุ่น

► **หมายเลข 18:** 1. ท่อดักฝุ่น 2. สายสำหรับที่ท่อดักฝุ่น

### ⚠ ข้อควรระวัง:

- หากคุณพยายามฝืนถอดท่อดักฝุ่น ตะขอของท่อดักฝุ่นอาจหักและหลุดออกมาโดยไม่ตั้งใจระหว่างทำงาน

## ชุดฉากตัด (อุปกรณ์เสริม)

### ⚠ ข้อควรระวัง:

- ตรวจสอบให้แน่ใจว่าได้ปิดสวิตช์เครื่องมือและถอดปลั๊กออก ก่อนทำการติดตั้งหรือถอดอุปกรณ์เสริม

## 1. การตัดตรง

► **หมายเลข 19:** 1. ฉากตัด

► **หมายเลข 20:** 1. ประแจหกเหลี่ยม 2. สลักเกลียว 3. ฉากนำ

เมื่อต้องการตัดที่ความกว้างไม่เกิน 160 mm ซ้ำๆ การใช้ฉากตัดจะทำให้สามารถตัดได้อย่างรวดเร็ว เรียบ และตรง เมื่อต้องการติดตั้ง ให้ใส่ฉากตัดเข้าไปในรูรูปลีเหลี่ยมมุมฉากบนด้านข้างของฐานเครื่องมือ โดยให้ฉากนำคว่ำหน้าลง เลื่อนฉากตัดให้ถึงตำแหน่งความกว้างในการตัดที่ต้องการ แล้วขันสลักเกลียวให้แน่นเพื่อยึดไว้

## 2. รอยตัดวงกลม

► **หมายเลข 21**

► **หมายเลข 22:** 1. ฉากนำ 2. ปุ่มหมุนเกลียว 3. เข็มตัวนำโกดวงกลม

เมื่อตัดวงกลมหรือเส้นโค้งที่มีรัศมีไม่เกิน 170 mm ให้ติดตั้งฉากตัดดังนี้

ใส่ฉากตัดเข้าไปในรูรูปลีเหลี่ยมมุมฉากบนด้านข้างของฐาน โดยให้ฉากนำหงายหน้าขึ้น ใส่เข็มตัวนำโกดวงกลมผ่านรูตัวนำหนึ่งในสองรูที่อยู่บนฉากนำ ขันปุ่มหมุนเกลียวเข้าไปในเข็มเพื่อยึดเข็ม

เลื่อนฉากตัดให้ถึงรัศมีการตัดที่ต้องการ แล้วขันสลักเกลียวให้แน่นเพื่อยึดไว้กับที่ แล้วขยับฐานไปด้านหน้าจนสุด

### หมายเหตุ:

- ใช้ใบเลื่อยหมายเลข B-17, B-18, B-26 หรือ B-27 ขณะตัดวงกลมหรือเส้นโค้งเสมอ

## ชุดตัวปรับรางนำ (อุปกรณ์เสริม)

► **หมายเลข 23**

เมื่อทำการตัดความกว้างขนานกันและเท่ากันหรือตัดตรง การใช้รางนำและตัวปรับรางนำจะทำให้สามารถตัดได้อย่างรวดเร็วและเรียบ

การติดตั้งตัวปรับรางนำ ให้สอดแถบไม้บรรทัดเข้าไปในรูสี่เหลี่ยมของฐานให้ลึกที่สุดเท่าที่จะทำได้ ใช้ประแจหกเหลี่ยมขันยึดสลักเกลียวให้แน่น

► **หมายเลข 24:** 1. สลักเกลียว 2. แถบไม้บรรทัด

ติดตั้งตัวปรับรางนำลงบนรางของรางนำ สอดแถบไม้บรรทัดเข้าไปในรูสี่เหลี่ยมของตัวปรับรางนำ วางให้ฐานอยู่ด้านข้างของรางนำแล้วขันสลักเกลียวให้แน่น

► **หมายเลข 25:** 1. สกรู 2. ตัวปรับรางนำ 3. รางนำ

### ⚠ ข้อควรระวัง:

- ใช้ใบเลื่อยหมายเลข B-8, B-13, B-16, B-17 หรือ 58 เสมอ เมื่อใช้รางนำและตัวปรับรางนำ

## แผ่นปิด

► **หมายเลข 26:** 1. แผ่นปิด 2. ฐาน

ใช้แผ่นปิดขณะตัดแผ่นไม้ประกอบสำหรับตกแต่ง พลาสติกและอื่นๆ ซึ่งจะป้องกันความเสียหายบนพื้นผิวที่บอบบางหรือเสียหายได้ง่าย ยึดไว้บนด้านหลังของฐานเครื่องมือ

## อุปกรณ์ป้องกันเศษชิ้นส่วน

► **หมายเลข 27:** 1. ฐาน 2. อุปกรณ์ป้องกันเศษชิ้นส่วน

เพื่อให้การตัดไม่มีเศษชิ้นส่วนออกมา สามารถใช้อุปกรณ์ป้องกันเศษชิ้นส่วนได้ เมื่อต้องการติดตั้งอุปกรณ์ป้องกันเศษชิ้นส่วน ให้ขยับฐานเครื่องมือไปด้านหน้าจนสุดและยึดฐานจากด้านหลังของฐานเครื่องมือ เมื่อใช้แผ่นปิด ให้ติดตั้งอุปกรณ์ป้องกันเศษชิ้นส่วนบนแผ่นปิด

### ⚠ ข้อควรระวัง:

- อุปกรณ์ป้องกันเศษชิ้นส่วนจะไม่สามารถใช้งานได้ขณะทำการตัดมุมเฉียง

## การบำรุงรักษา

### ⚠️ ข้อควรระวัง:

- ตรวจสอบให้แน่ใจเสมอว่าปิดสวิตช์เครื่องมือและถอดปลั๊กออกแล้วก่อนพยายามดำเนินการตรวจสอบหรือบำรุงรักษา
- ห้ามใช้แก๊สโซลีน เบนซิน ทินเนอร์ แอลกอฮอล์ หรือสิ่งอื่นที่คล้ายกันนี้ เนื่องจากอาจทำให้สีซีดจางเสียหาย หรือแตกร้าวดได้

เพื่อความปลอดภัยและความน่าเชื่อถือของผลิตภัณฑ์ ควรให้ศูนย์บริการที่ได้รับการรับรองจาก Makita เป็นผู้ดำเนินการซ่อมแซม ตรวจสอบและเปลี่ยนแปรงคาร์บอน บำรุงรักษา หรือทำการปรับตั้งอื่นๆ นอกจากนี้ให้ใช้อะไหล่ของแท้ของ Makita เสมอ

## อุปกรณ์เสริม

### ⚠️ ข้อควรระวัง:

- ขอแนะนำให้ใช้อุปกรณ์เสริมหรืออุปกรณ์ต่อพ่วงเหล่านี้กับเครื่องมือของ Makita ที่ระบุไว้ในคู่มือนี้ การใช้อุปกรณ์เสริมหรืออุปกรณ์ต่อพ่วงอื่นๆ อาจมีความเสี่ยงที่จะได้รับบาดเจ็บ ใช้อุปกรณ์เสริมหรืออุปกรณ์ต่อพ่วงตามวัตถุประสงค์ที่ระบุไว้เท่านั้น

หากต้องการทราบรายละเอียดเพิ่มเติมเกี่ยวกับอุปกรณ์เสริมเหล่านี้ โปรดสอบถามศูนย์บริการ Makita ใกล้บ้านคุณ

- ใบเลื่อยผล
- ประแจหกเหลี่ยม 4
- ชุดฉากตัด (ตัวนำ)
- ชุดตัวปรับรางนำ
- ชุดรางนำ
- อุปกรณ์ป้องกันเศษชิ้นส่วน
- ท่อดักฝุ่น
- แผ่นปิด
- สาย (สำหรับที่ดูดฝุ่น)

### หมายเหตุ:

- อุปกรณ์บางรายการอาจไม่มีมาให้ เป็นอุปกรณ์เสริมมาตรฐานในชุดเครื่องมือ ซึ่งอาจแตกต่างกันไปในแต่ละประเทศ

**Makita Corporation**  
3-11-8, Sumiyoshi-cho,  
Anjo, Aichi 446-8502 Japan  
[www.makita.com](http://www.makita.com)

884715D372  
EN, ZHCN, ID, MS,  
VI, TH  
20191224