

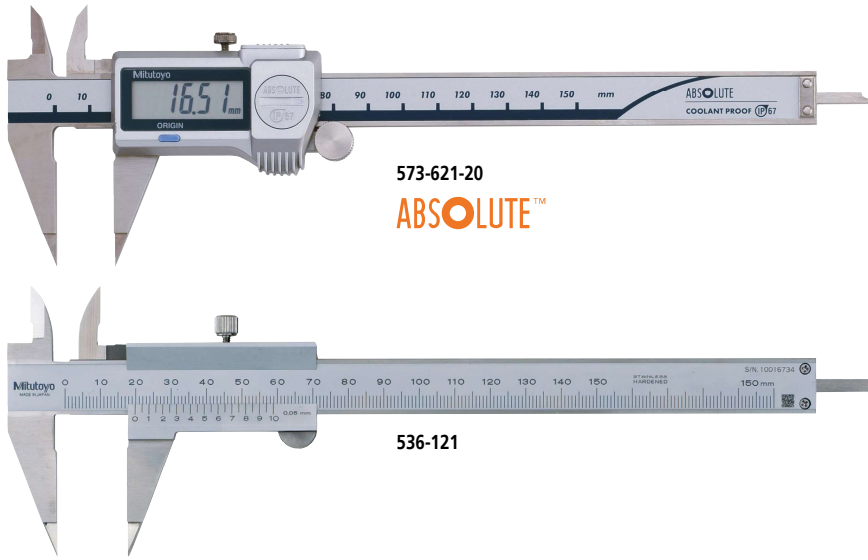
Calipers

An industry standard measuring tool

Point Caliper SERIES 573, 536 — ABSOLUTE Digimatic and vernier types

MeasurLink¹ ENABLED
Data Management Software by Mitutoyo

- Narrow-tip jaws fit into very small grooves and tracks, making many previously difficult outside measurements far easier to obtain.
- Allows step measurement.
- Digimatic models are IP67 Absolute type. Slider action is smooth, firm and comfortable.
- SPC output models allow integration into statistical process control and measurement systems. (Refer to page A-3.)



573-621-20
ABSOLUTE™

536-121

SPECIFICATIONS

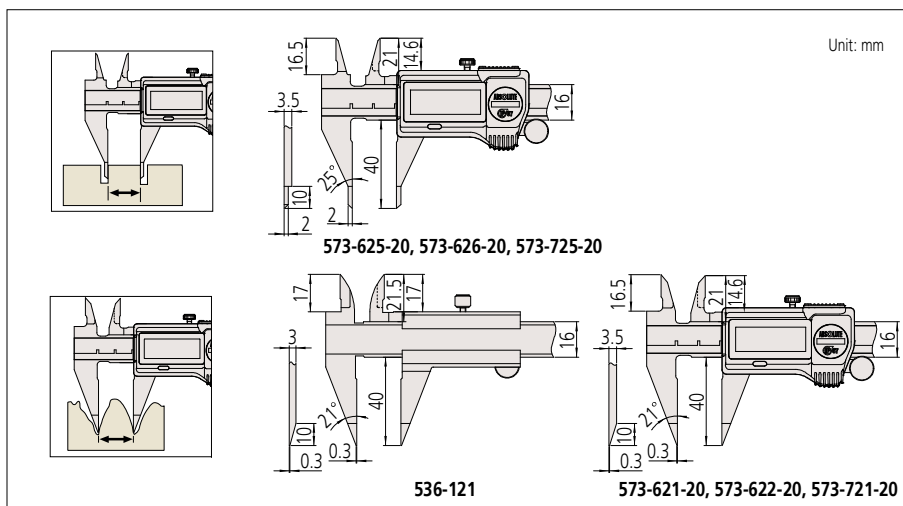
| Metric | Digimatic model | |
|-------------|-----------------|---------------|
| Order No. | Range (mm) | Accuracy (mm) |
| 573-621-20 | 0 - 150 | ±0.02 |
| 573-625-20 | 0 - 150 | ±0.02 |
| 573-622-20* | 0 - 150 | ±0.02 |
| 573-626-20* | 0 - 150 | ±0.02 |

* Without thumb roller

| Metric | Analog model | |
|-----------|--------------|---------------|
| Order No. | Range (mm) | Accuracy (mm) |
| 536-121 | 0 - 150 | ±0.05 |

| Inch/Metric | Digimatic model | |
|-------------|-----------------|---------------|
| Order No. | Range (in) | Accuracy (in) |
| 573-721-20 | 0 - 6 | ±0.001 |
| 573-725-20 | 0 - 6 | ±0.001 |

DIMENSIONS



MeasurLink¹ ENABLED
Data Management Software by Mitutoyo

Products equipped with the measurement data output function can be connected to the measurement data network system MeasurLink (refer to page A-5 for details).

IP67



Technical Data

- Accuracy: Refer to the list of specifications. (excluding quantizing error for Digimatic models)
 - Resolution*¹: 0.01 mm or 0.0005 in/0.01 mm
 - Graduation*²: 0.05 mm
 - Display*¹: LCD
 - Scale type*¹: ABSOLUTE electromagnetic induction linear encoder
 - Max. response speed*¹: Unlimited
 - Battery: SR44 (1 pc), **938882**, for initial operational checks (standard accessory)
 - Battery life*¹: Approx. 5 years under normal use
 - Dust/Water protection level*¹: IP67 (IEC 60529)*³
- *¹ Digimatic models
*² Analog models
*³ Rustproofing shall be applied after use if caliper was in contact with coolant.

Optional Accessories for Digimatic Models

For details, refer to page A-27.

- Connecting cables for **IT / DP / MUX**
05CZA624: SPC cable with data button (1 m)
05CZA625: SPC cable with data button (2 m)
- USB Input Tool Direct
06AFM380A: SPC cable for **USB-ITN-A** (2 m)
- Connecting cables for **U-WAVE-T**
02AZD790A: SPC cable with data button (160 mm)
02AZE140A: SPC cable for foot switch

Wireless Data Output **U-WAVE**^{ff}

- **U-WAVE-TC: 264-620** (IP67 type)
264-621 (Buzzer type)

- **U-WAVE-TCB Transmitter (Mitutoyo Bluetooth® U-WAVE)**
264-624 (IP type)
264-625 (Buzzer type)

Refer to page A-15 for details.

- Connecting unit for **U-WAVE-TC/TCB**
02AZF310 (IP67 type)

Note: IP67 model is water/dust-proofed suitable for the factory floor.

Buzzer type is not water/dust-proofed. Refer to pages A-16 and A-18 for details.