

Height Gage

A standard measuring tool of industry

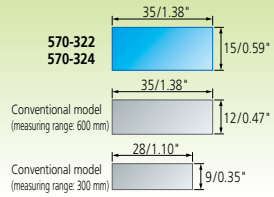
ABSOLUTE Digimatic Height Gage SERIES 570 — with Ergonomic Base

MeasurLink¹ ENABLED
Data Management Software by Mitutoyo

- Allows smooth elevation by the slider adjustment wheel, which is the same as the well-established double-column structure height gage.
- Large slider-clamp lever ensures positive and accurate clamping action.
- High durability and high accuracy are ensured by an improved column design (35×15 mm).
- Allows integration into statistical process control and measurement systems for models with measurement data output connector. (Refer to page A-3.)
- Battery: SR44 (1 pc), **938882**. For initial operational checks (standard accessory)
- Battery life is 20,000 hours under normal use.
- For precision Black Granite Surface Plates, refer to page E-49.

Note: Do not hold the height gage by the column as this can affect the accuracy.

Dimensions of column cross section



- Character height of the LCD display is 10 mm.
- Ergonomic and stylish base fits comfortably in the hand.
- Due to the built-in ABSOLUTE scale function, origin setting is not required each time power is turned ON.



SPECIFICATIONS

Metric					
Order No.	Range (mm)	Resolution (mm)	Maximum Permissible Error* (mm)/E _{MPE}	Max. response speed	Mass (kg)
570-322	0 - 300	0.01	±0.03	Unlimited	4.6
570-324	0 - 600		±0.05		6.4

* Maximum Permissible Error, E_{MPE}, is the term (notation) used in JIS B 7517: 2018, revised based on ISO/TR 14253-6: 2012.

Inch / Metric					
Order No.	Range (in)	Resolution	Maximum Permissible Error* (in)/E _{MPE}	Max. response speed	Mass (kg)
570-312	0 - 12	0.0005 in/0.01 mm	±0.0015	Unlimited	4.6
570-313	0 - 18		±0.002		5.9
570-314	0 - 24		±0.002		6.4

* Maximum Permissible Error, E_{MPE}, is the term (notation) used in JIS B 7517: 2018, revised based on ISO/TR 14253-6: 2012.

MeasurLink¹ ENABLED
Data Management Software by Mitutoyo

Products equipped with the measurement data output function can be connected to the measurement data network system MeasurLink (refer to page A-5 for details).

ABSOLUTE™

Functions

- Origin-setting: Any convenient reference surface, such as a surface plate, etc., can be stored as the absolute origin point.
- Absolute measurement: After power is turned ON, measurement can be started without zero-setting if origin-setting was previously performed. Absolute origin position can be changed by ORIGIN button.
- Incremental measurement: Allows origin setting at any arbitrary position. In this case, the origin point is not stored after turning off the power.
- Data hold: Display value can be held.
- Data output: Allows integration into statistical process control and measurement systems. (Refer to page A-3.)
- Low-voltage alert: Low-voltage alert: If the battery voltage becomes low, a "B" appears in the display to alert the user before measurement is no longer possible so that the battery can be changed in good time.

Standard Accessories

For 570-322, 324

07GZA000 Scriber

05GZA033 Scriber clamp

For 570-312 and 570-313, 570-314

900258 Scriber

901385 Scriber clamp

953638

05GZA033



900258



07GZA000

(Refer to page F-75 for details)



Optional Accessories

For details, refer to page A-25.

- Connecting cables for IT / DP / MUX
 - 905338**: SPC cable with data button (1 m)
 - 905409**: SPC cable with data button (2 m)
- USB Input Tool Direct
 - 06AFM380F**: SPC cable for USB-ITN-F (2 m)
- Connecting cables for U-WAVE-T
 - 02AZD790F**: SPC cable with data button (160 mm)
 - 02AZE140F**: SPC cable for foot switch



Slider height adjustment wheel

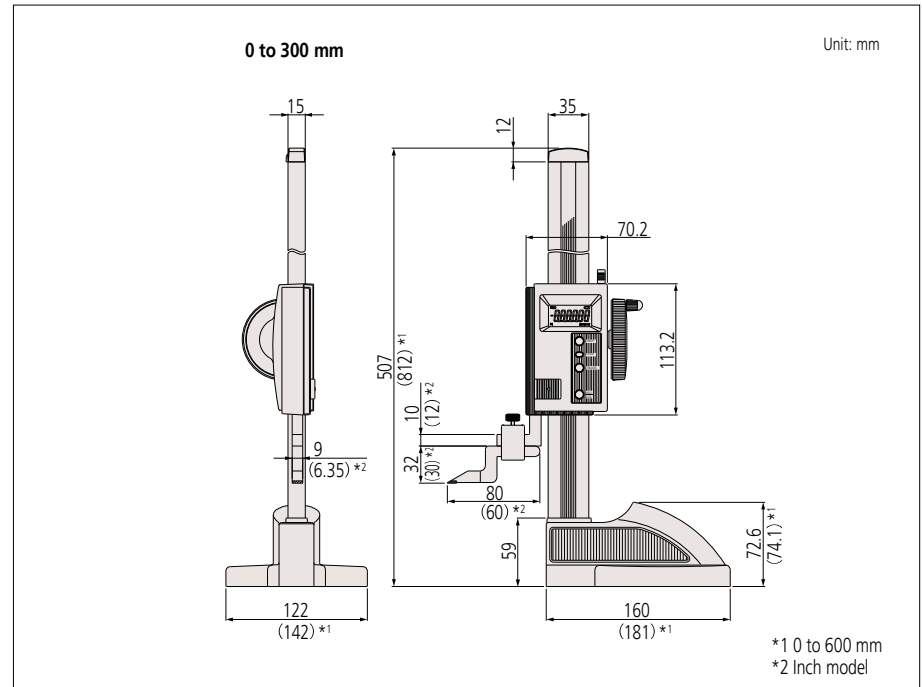


Large clamp lever



Base that fits the hand comfortably

DIMENSIONS



D