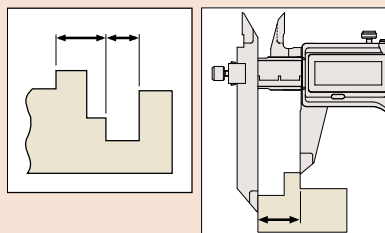




www.tuv.com
ID 6000045042



Technical Data

- Accuracy: Refer to the list of specifications. (excluding quantizing error for Digimatic models)
- Resolution*1: 0.01 mm or 0.0005 in/0.01 mm
- Graduation*2: 0.05 mm
- Display*1: LCD
- Scale type*1: ABSOLUTE electromagnetic induction linear encoder
- Max. response speed*1: Unlimited
- Battery: SR44 (1 pc), **938882**, for initial operational checks (standard accessory)
- Battery life*1: Approx. 5 years under normal use
- Dust/Water protection level*1: IP67 (IEC 60529)*3
- *1 Digimatic models
- *2 Analog models
- *3 Rustproofing shall be applied after use if caliper was in contact with coolant.

Optional Accessories for Digimatic Models

For details, refer to page A-27.

- **959143**: Data hold unit
- Connecting cables for **IT/DP/MUX**
 - **05CZA624**: SPC cable with data button (1 m)
 - **05CZA625**: SPC cable with data button (2 m)
- USB Input Tool Direct
 - **06AFM380A**: SPC cable for **USB-ITN-A** (2 m)
- Connecting cables for **U-WAVE-T**
 - **02AZD790A**: SPC cable with data button (160 mm)
 - **02AZE140A**: SPC cable for foot switch

Wireless Data Output **U-WAVE™**

- **U-WAVE-TC**: **264-620** (IP67 type)
264-621 (Buzzer type)
 - **U-WAVE-TCB Transmitter** (Mitutoyo Bluetooth[®] U-WAVE)
 - **264-624** (IP type)
 - **264-625** (Buzzer type)
- Refer to page A-15 for details.
- Connecting unit for **U-WAVE-TC/TCB**
 - **02AZF310** (IP67 type)

Note: IP67 model is water/dust-proofed suitable for the factory floor.

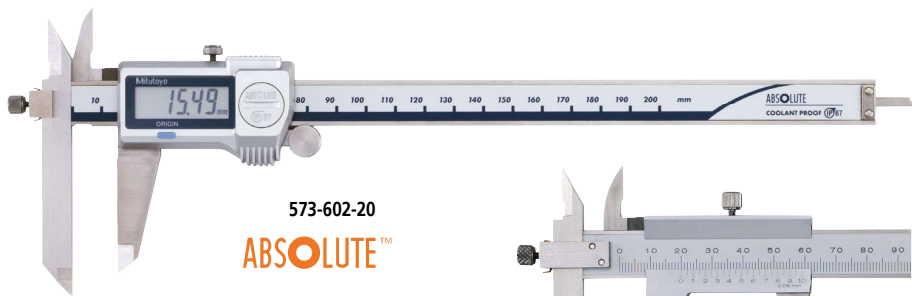
Buzzer type is not water/dust-proofed.

Refer to pages A-16 and A-18 for details.

Note: Cannot be used with **573-611-20**, **573-612-20** and **573-614**

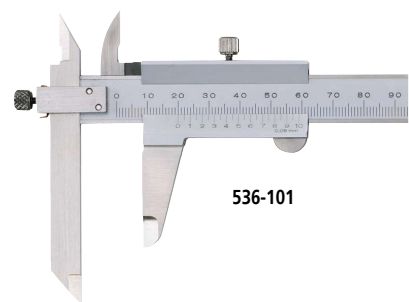
Offset Caliper SERIES 573, 536 — ABSOLUTE Digimatic and vernier types

- The beam-mounted jaw can be adjusted to facilitate measurement of stepped sections and hard-to-get-at workpiece features.
- Digimatic models are IP67 Absolute type. Slider action is smooth, firm and comfortable.
- Allows integration into statistical process control and measurement systems for models with measurement data output connector. (Refer to page A-3.)



573-602-20

ABSOLUTE™



536-101

SPECIFICATIONS

Metric	Digimatic model	
Order No.	Range (mm)	Accuracy (mm)
573-601-20	0 - 150	±0.02
573-611-20*	0 - 150	±0.02
573-602-20	0 - 200	±0.02
573-612-20*	0 - 200	±0.02
573-604-20	0 - 300	±0.03
573-614-20*	0 - 300	±0.03

* Without thumb roller

Metric	Analog model	
Order No.	Range (mm)	Accuracy (mm)
536-101	0 - 150	±0.05
536-102	0 - 200	±0.05
536-103	0 - 300	±0.08

Inch / Metric	Digimatic model	
Order No.	Range (in)	Accuracy (in)
573-701-20	0 - 6	±0.001
573-702-20	0 - 8	±0.001
573-704-20	0 - 12	±0.0015

DIMENSIONS

Unit: mm

Analog model

Digimatic model

Order No.	Model	Range (mm)	A	B	C	D	G	H	N	W	t
573-601-20	Digimatic model	0 - 150	16.5	21	14.6	40	10	16	(18)	95	3.5
573-602-20		0 - 200	20	24.5	18.1	50			(4)		
573-604-20		0 - 300	22	27.5	19.8	64			15		
536-101	Analog model	0 - 150	17	21.5	17	40	10	16	(18)	95	3
536-102		0 - 200	20.5	25	20.5	50			(4)		
536-103		0 - 300	22	27.5	22	64			15		