

Description

Legacy General Purpose Relays

750H Hazardous Location Series

DPDT, 3PDT 12 A



UL Listed when used with corresponding sockets



750H Hazardous Location Relay

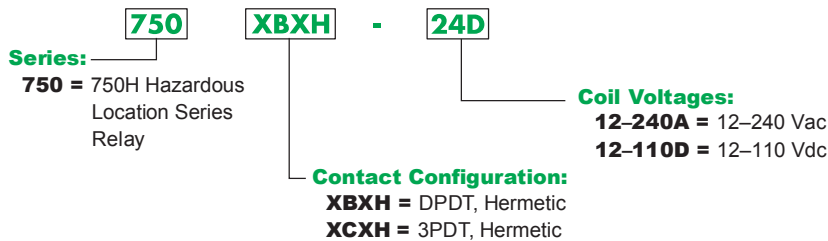
Description

The hermetically sealed 750H Series relays comply with UL Class I Division 2 requirements for use in hazardous locations.

Feature	Benefit
Hermetically sealed	Compliance with UL Class I Division 2 for Hazardous Locations Groups A, B, C, and D; sealed for wash down conditions
Octal style mounting	Robust and historically proven mounting platform that provides excellent structural support
12 A max. switching current	Ideal choice for automation and control applications
DPDT and 3PDT contact configuration	Simultaneous control of separate circuits
Socket-mounting option	Simplified installation and maintenance; use of protection modules, hold-down clips, and other accessories

Contact Rating	Contact Configuration	Nominal Voltage	Coil Resistance (Ω)	Standard Part Number
12 A	DPDT	12 Vac, 50/60 Hz	18	750XBXH-12A
		24 Vac, 50/60 Hz	72	750XBXH-24A
		120 Vac, 50/60 Hz	1700	750XBXH-120A
		240 Vac, 50/60 Hz	7200	750XBXH-240A
		12 Vdc	120	750XBXH-12D
		24 Vdc	470	750XBXH-24D
		110 Vdc	10,000	750XBXH-110D
	3PDT	12 Vac, 50/60 Hz	18	750XCXH-12A
		24 Vac, 50/60 Hz	72	750XCXH-24A
		120 Vac, 50/60 Hz	1700	750XCXH-120A
		240 Vac, 50/60 Hz	7200	750XCXH-240A
		12 Vdc	120	750XCXH-12D
		24 Vdc	470	750XCXH-24D
		110 Vdc	10,000	750XCXH-110D

Part Number Explanation



For more information, contact Customer Service (847-441-2540).

Legacy General Purpose Relays

750H Hazardous Location Series

DPDT, 3PDT 12 A

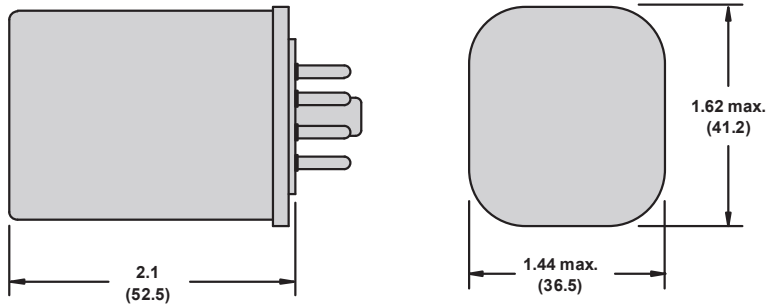
Specifications (UL 508)

Part Number		750XBXH	750CXH
Contact Characteristics			
Terminal Style		Octal	
Contact Material		Silver Alloy	
Load Type		Standard	
Contact Configuration		DPDT	3PDT
Carrying Current		12 A	
Maximum Switching Voltage		300 V	
Rated Switching Current (Conforming to UL and ANSI/ISA 12.12.01)	Resistive	12 A at 120 Vac, 50/60 Hz, 100,000 cycles 12 A at 240 Vac, 50/60 Hz, 100,000 cycles 12 A at 28 Vdc, 100,000 cycles	
	Motor	1/2 hp at 240 Vac, 50/60 Hz, 100,000 cycles 1/3 hp at 120 Vac, 50/60 Hz, 100,000 cycles	
	Pilot Duty	B300 — 100,000 cycles	
Minimum Switching Requirement		100 mA at 5 Vdc	
Coil Characteristics			
Maximum Operating Voltage		110% (AC/DC)	
Maximum Pickup Voltage		85% (AC); 80% (DC)	
Drop-out Voltage Threshold		15% (AC); 10% (DC)	
Average Consumption		2.75 VA at 60 Hz (AC); 1.2 W (DC)	
General Characteristics			
Electrical Life (at Rated Load)		100,000 operations	
Mechanical Life (No Load)		10,000,000 operations	
Maximum Operating Time		20 ms	
Dielectric Strength	Between Coil and Contact	1600 V (rms)	
	Between Poles	1600 V (rms)	
	Between Open Contacts	1500 V (rms)	
Ambient Air Temperature Around the Device	Storage	-40 to +85 °C (-40 to +185 °F)	
	Operation	-40 to +55 °C (-40 to +131 °F)	
Temperature Code for Hazardous Locations		DC: T5, Max. Ambient Temperature +70 °C AC: T4A, Max. Ambient Temperature +40 °C	
Vibration Resistance—In Operation		3 gn at 35–150 Hz	
Shock Resistance		10 gn (11 ms)	
Degree of Protection		Hermetically sealed	
Weight		130 g (4.59 oz)	
Agency Approvals		UL with socket, UR (E209950), CSA (LR40787), RoHS	

Note: Actual product performance may vary depending on the application and environmental conditions.

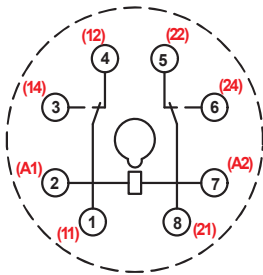
Dimensions, in. (mm)

750H

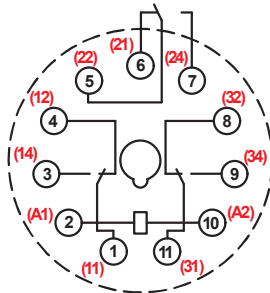


Wiring Diagrams

DPDT



3PDT



NEMA
(IEC)

Legacy General Purpose Relays

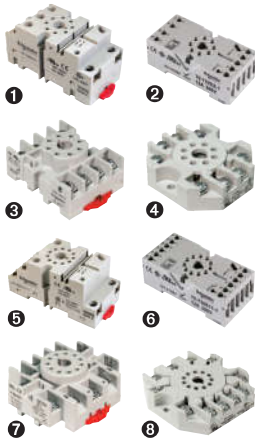
750H Hazardous Location Series Accessories



Description

Optional sockets offer customizable solutions including protection modules, hold-down clips, and ID tags. Sockets are finger-safe according to IP20, and compatible with DIN rail or panel mounting.

Relay Accessories



Description	Function	For Use with Relays	Pkg. Min.	Standard Part Number
Socket 1	DIN or panel mounting with screw terminals	750XBXH	10	70-750DL8-1
Socket 2	DIN or panel mounting with elevator terminals, module compatible		10	70-750E8-1
Socket 3	DIN or panel mounting with screw terminals and clamping plates		10	70-464-1
Socket 4	Panel mounting with screw terminals and clamping plates		10	70-169-1
Socket 5	DIN or panel mounting	750XCXH	10	70-750DL11-1
Socket 6	DIN or panel mounting with elevator terminals		10	70-750E11-1
Socket 7	DIN or panel mounting with screw terminals and clamping plates		10	70-465-1
Socket 8	Panel mounting with screw terminals and clamping plates		10	70-170-1

Socket Accessories



Description	Function	For Use with Sockets	Coil Voltage	Pkg. Min.	Standard Part Number
Metal Spring Clip 1	Securing the relay in the socket	70-750DL8-1, 70-750E8-1, 70-464-1, 70-750E11-1, 70-750DL11-1, 70-465-1	—	10	16-1351
Plastic ID Tag 2	Write-on plastic labels	70-750E8-1, 70-750E11-1	—	10	16-750/788FT-1
Insulated Coil Bus Jumper System 3	Wireless socket connection	70-750DL8-1, 70-750DL11-1	—	10	16-750/788CBJ-1
Extruded Aluminum DIN Rail, 1 m (39.37 in.) 4	Quick installation and removal of sockets	70-750DL8-1, 70-750E8-1, 70-464-1, 70-750E11-1, 70-750DL11-1, 70-465-1	—	10	16-700DIN
DIN Rail End Clip 4	Holding the sockets firmly in place on a DIN rail	—	—	10	16-DCLIP-1