



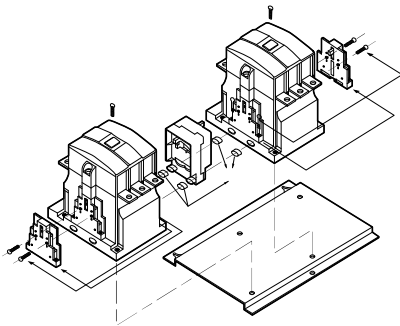
AR-180

Interlock unit, AR-180 and AR-600

AR-180 and AR-600 are mechanical interlock units in which electrical contacts for use in electrical interlocking are not included. Please use the auxiliary contacts on the sides of the contactors for that purpose.

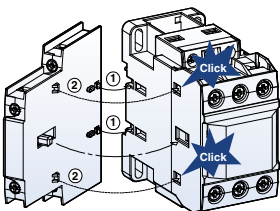


AR-600

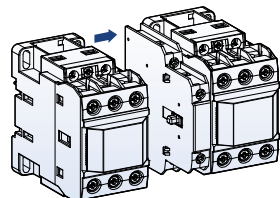


Contactor	Interlock unit	
	Type	Weight
MC-180a	AR-180	0.09kg
MC-225a		
MC-265a		
MC-330a		
MC-400a		
MC-500a	AR-600	15.2kg
MC-630a		
MC-800a		

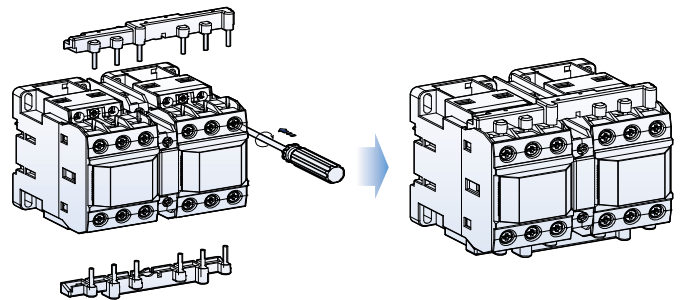
Installation of Interlock and Wire kits



Install the interlock unit on the side of a contactor first. Fit each part as indicated in the fig.



And then install the other contactor on the other side of the interlock unit as shown.



After installing interlock unit wiring kit can be assembled. Wiring kit contains two molded wires - one for line side and the other for load side.