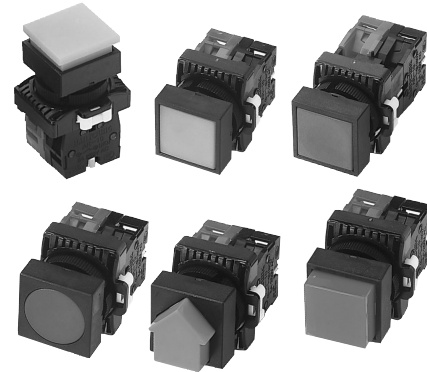


AR series

Square push button switch

- Ø22 and Ø25 hole installation applicable due to the direction of inserting panel fixing nut
- Simple mounting and dismounting between actuator and contact
- Various square actuators
- Consecutive installation possible due to the 37 mm x 41 mm installation space



- Control switch
Combination display light
- Power switch
Main switch
Cam switch
- Limit switch
Micro switch
- Hoist switch
Foot switch
Mono lever switch
- Signal tower
Signal light
- Buzzer
Terminal block
Fuse holder
- Control box
Cable connector
- Discontinued Products

●● Suffix code

Model	Code	Description
ARC-	<input type="checkbox"/> <input type="checkbox"/> <input type="checkbox"/> <input type="checkbox"/>	Square push button switch
Actuator type	I	Arrow extended type
	S	Square flush type
	C	Round flush type
	P	Mushroom type
	PS	Square extended type
Operation function	1	Momentary
	2	Alternate
Contact composition	10	1a Contact
	20	1b Contact
	12	1a1b Contact
	11	2a Contact
	22	2b Contact
Color of actuator	R	RED
	G	GREEN
	Y	YELLOW
	A	BLUE

Dimension (unit : mm)

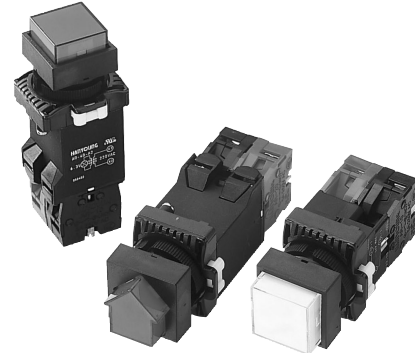
Model	Appearance	Dimension	
ARC-S1 (Momentary operation)			
ARC-S2 (Alternative operation)			
ARC-C1 (Momentary operation)			
ARC-P1 (Momentary operation)			
ARC-I1 (Momentary operation)			
ARC-PS1 (Momentary operation)			

※ Please refer the dimension of an alternative-operation switch to "ARC-S2"

AR series

Square illuminated push button switch

- Ø22 and Ø25 hole installation applicable due to the direction of inserting panel fixing nut
- Simple mounting and dismounting between actuator and contact / transformer
- Various square actuators
- Consecutive installation possible due to the 37 mm x 41 mm installation space



- Control switch
Combination display light
- Power switch
Main switch
Cam switch
- Limit switch
Micro switch
- Hoist switch
Foot switch
Mono lever switch
- Signal tower
Signal light
- Buzzer
Terminal block
Fuse holder
- Control box
Cable connector
- Discontinued Products

●● Suffix code

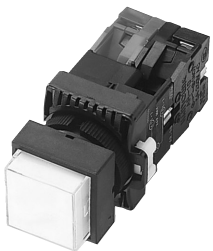
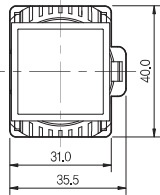
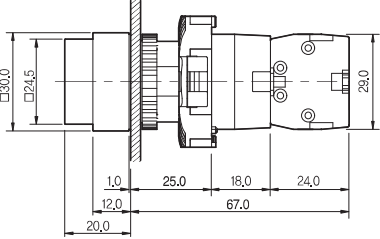

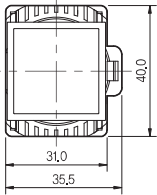
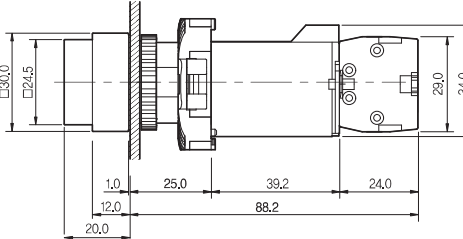
Model	Code	Description	
ARC-	<input type="checkbox"/> <input type="checkbox"/> <input type="checkbox"/> <input type="checkbox"/> <input type="checkbox"/>	Square illuminated push button switch	
Actuator type	XI	Arrow illuminated extended type	
	XS	Square illuminated flush type	
Operation function	1	Momentary	
	2	Alternate	
Contact composition	10	1a Contact	
	20	1b Contact	
	12	1a1b Contact	
	11	2a Contact	
	22	2b Contact	
Power supply voltage	A1	110 V a.c	Transformer attached (Incandescent lamp 6.3 V)
	A2	220 V a.c	
	LA1	110 V a.c	Transformer attached (LED 6 V)
	LA2	220 V a.c	
	L6	6 V	Without voltage dropping unit (a.c/d.c) (LED)
	L12	12 V	
	L24	24 V	
	LB1	110 V	
	LB2	220 V	
	B6	6.3 V	Without voltage dropping unit (a.c/d.c) (Incandescent lamp)
B12	12 V		
B24	24 V		
Color of actuator	R	RED	
	G	GREEN	
	Y	YELLOW	
	A	BLUE	
	W	WHITE	

※ LED bulb : 6 V, 12 V, 24 V, 110 V, 220 V

●● Incandescent lamp and LED specification

Classification	Power supply voltage (1st)	Incandescent lamp and LED capacity		Base
Incandescent lamp	110 V, 220 V a.c (transformer voltage dropping)	6.3 V	150 mA	BA9S (Pin type)
	Without voltage dropping unit	12 V	80 mA	
		24 V	40 mA	
LED	110 V, 220 V a.c (transformer voltage dropping)	6 V	72 mA	
	Without voltage dropping unit	12 V	36 mA	
		24 V	20 mA	
		110 V	5 mA	
		220 V	3 mA	

●● Dimension (unit : mm)

Model	Appearance	Dimension	
ARC-XS (Without voltage dropping)			
ARC-XS (Transformer attached)			
ARC-XI (Transformer attached)	