

AR series

Emergency stop switch

- Ø22 and Ø25 hole installation applicable due to the direction of inserting panel fixing nut
- Simple mounting and dismounting between actuator and contact
- Consecutive installation possible due to the 37 mm x 41 mm installation space



Suffix code


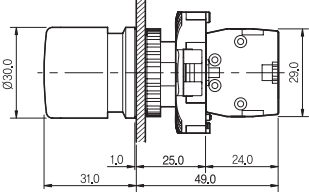

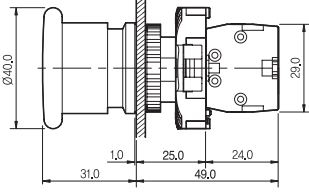

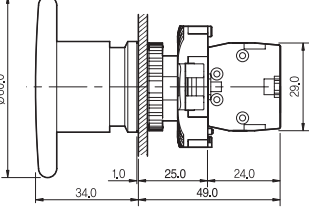
Model	Code	Description
ARE-	□ □ □ □	Emergency stop switch
Actuator type	3	Ø30 Standard type
	4	Ø40 Mushroom type
	6	Ø60 Mushroom type
Operation function	B	Momentary operation
	P	Push-lock Pull-reset
	R	Push-lock Turn-reset
	K	Push lock-Key reset
Contact composition	10	1a Contact
	20	1b Contact
	12	1a1b Contact
	11	2a Contact
	22	2b Contact
Color of actuator	R	Red (Possible applying function code B, P, R, K)
	G	Green (Applying operation function code B)
	Y	Yellow (Applying operation function code 4B)

Standard suffix code


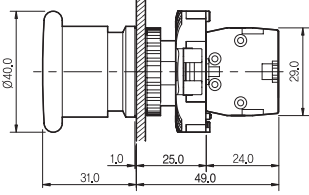

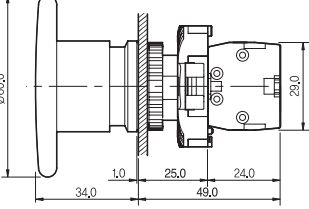
Dimension	Momentary operation	Push lock-pull reset	Push lock-turn reset	Push lock-key reset
Ø30	ARE-3B□□	-	ARE-3R□R ARE-3R□G	ARE-3K□□
Ø40	ARE-4B□□	ARE-4P□R	ARE-4R□R ARE-4R□G	ARE-4K□R
Ø60	ARE-6B□□	ARE-6P□R	ARE-6R□R	ARE-6K□R

Dimension (unit : mm)

■ Momentary operation

Model	Appearance	Dimension
ARE-3B □ □ Ⓡ Ⓞ		
ARE-4B □ □ Ⓡ Ⓞ Ⓢ		
ARE-6B □ □ Ⓡ Ⓞ		

■ Push lock-pull reset

Model	Appearance	Dimension
ARE-4P □ R Ⓡ		
ARE-6P □ R Ⓡ		

Control switch
Combination display light

Power switch
Main switch
Cam switch

Limit switch
Micro switch

Hoist switch
Foot switch
Mono lever switch


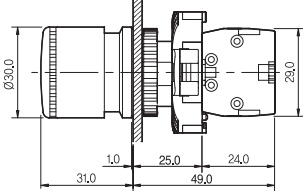

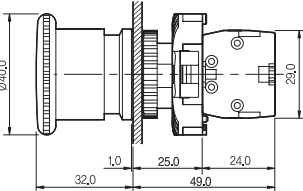
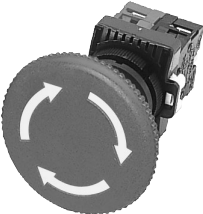
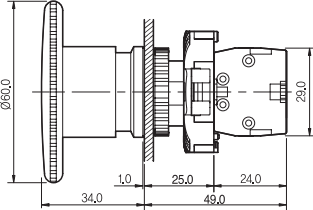
Sign tower
Signal light

Buzzer
Terminal block
Fuse holder


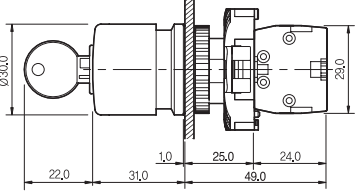

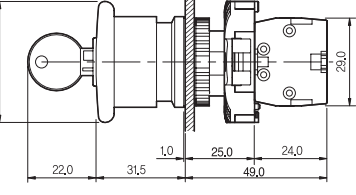

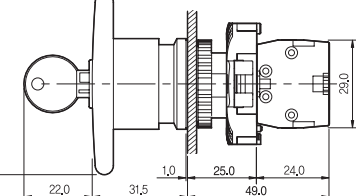
Control box
Cable connector

Discontinued Products

■ Push lock-turn reset

Model	Appearance	Dimension
ARE-3R□□ (R)		
ARE-4R□□ (R)		
ARE-6R□R (R)		

■ Push lock-key reset

Model	Appearance	Dimension
ARE-3K□□ Ⓡ		
ARE-4K□□ Ⓡ		
ARE-6K□R Ⓡ		

Control switch
Combination display light

Power switch
Main switch
Cam switch

Limit switch
Micro switch

Hoist switch
Foot switch
Mono lever switch

Sign tower
Signal light

Buzzer
Terminal block
Fuse holder

Control box
Cable connector

Discontinued Products

AR series

Illuminated emergency stop switch

- Ø22 and Ø25 hole installation applicable due to the direction of inserting panel fixing nut
- Simple mounting and dismounting between actuator and contact / transformer
- Consecutive installation possible due to the 37 mm x 41 mm installation space


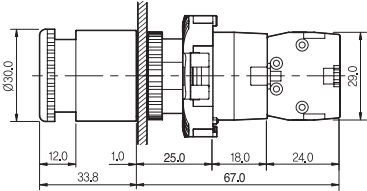

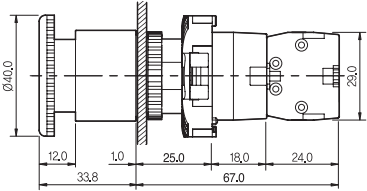


●● Suffix code


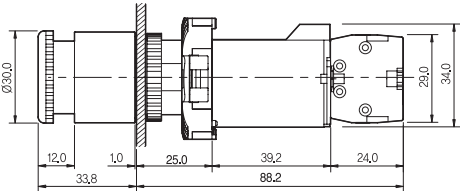

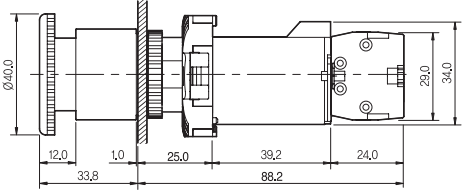
Model	Code					Description	
ARE-	<input type="checkbox"/>	<input type="checkbox"/>	<input type="checkbox"/>	<input type="checkbox"/>	<input type="checkbox"/>	Illuminated emergency stop switch	
Actuator type	3					Ø30 Mushroom type	
	4					Ø40 Mushroom type	
Operation function	XR					Push lock-Turn reset	
Contact composition	10					1a Contact	
	20					1b Contact	
	12					1a1b Contact	
	11					2a Contact	
	22					2b Contact	
Power supply voltage	A1					110 V a.c	Transformer attached (Incandescent lamp 6.3 V)
	A2					220 V a.c	
	LA1					110 V a.c	Transformer attached (LED 6 V)
	LA2					220 V a.c	
	L6					6 V	Without voltage dropping unit (a.c/d.c) (LED)
	L12					12 V	
	L24					24 V	
	LB1					110 V	
	LB2					220 V	
	B6					6.3 V	Without voltage dropping unit (a.c/d.c) (Incandescent lamp)
	B12					12 V	
B24					24 V		
Color of actuator	R					Red	
	G					Green ※ Only for ARE-3XR	

●● Dimension (unit : mm)

■ Push lock-turn reset (Without voltage dropping unit)

Model	Appearance	Dimension
ARE-3XR Ⓡ		
ARE-4XR Ⓡ		

■ Push lock-turn reset (Transformer attached)

Model	Appearance	Dimension
ARE-3XR Ⓡ Ⓞ		
ARE-4XR Ⓡ		

Control switch
Combination display light

Power switch
Main switch
Cam switch

Limit switch
Micro switch

Hoist switch
Foot switch
Mono lever switch

Sign tower
Signal light

Buzzer
Terminal block
Fuse holder

Control box
Cable connector

Discontinued Products

AR series

One body type push button switch


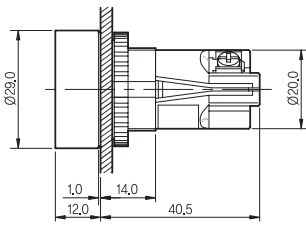

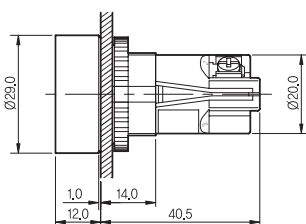
- Simple handling because the actuator and contact part are one body type
- $\varnothing 22$ and $\varnothing 25$ hole installation applicable due to the direction of inserting panel fixing nut
- Consecutive installation possible due to the 31 mm x 31 mm installation space




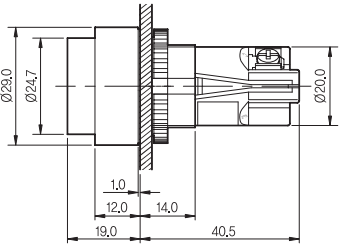

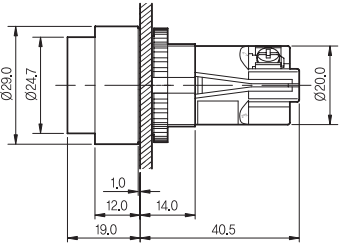
●● Suffix code

Model	Code	Description
ARF-D	<input type="checkbox"/> <input type="checkbox"/> <input type="checkbox"/> <input type="checkbox"/>	One body type push button switch
Actuator type	F	Flush type
	P	Extended type
Operation function	1	Momentary
	2	Alternate
Contact composition	10	1a Contact
	20	1b Contact
	12	1c Contact
Color of actuator	R	RED
	G	GREEN
	Y	YELLOW
	A	BLUE

●● Dimension (unit : mm)

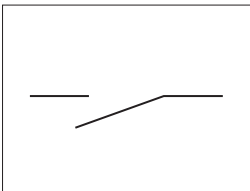
Model	Appearance	Dimension
ARF-DF1 (Momentary operation)		
ARF-DF2 (Alternate operation)		

AR series

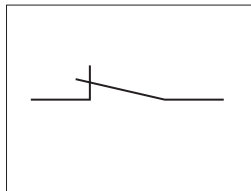
Model	Appearance	Dimension
ARF-DP1 (Momentary operation)		
ARF-DP2 (Alternate operation)		

●● Contact composition

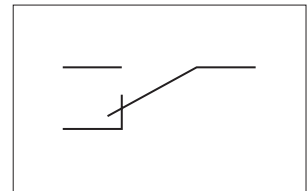
■ a Contact



■ b Contact



■ c Contact



Control switch
Combination display light

Power switch
Main switch
Cam switch

Limit switch
Micro switch

Hoist switch
Foot switch
Mono lever switch

Sign tower
Signal light

Buzzer
Terminal block
Fuse holder

Control box
Cable connector

Discontinued Products

AR series

One body type pilot lamp

- Ø22 and Ø25 hole installation applicable due to the direction of inserting panel fixing nut
- Simple handling because the actuator and contact part are one body type
- Consecutive installation possible due to the 31 mm x 31 mm installation space



Suffix code

Model	Code	Description	
ARP-D	<input type="checkbox"/> <input type="checkbox"/> <input type="checkbox"/>	Indicator light	
Actuator type	F	Flush type	
	R	Roulette type	
Power supply voltage	B6	6.3 V	Without voltage dropping unit (a.c/d.c) (Incandescent lamp)
	B12	12 V	
	B24	24 V	
	L6	6 V	Without voltage dropping unit (a.c/d.c) (LED)
	L12	12 V	
	L24	24 V	
	LB1	110 V	
	LB2	220 V	
Color of indicator	R	RED	
	G	GREEN	
	Y	YELLOW	
	W	WHITE	
	A	BLUE	

Dimension (unit : mm)

Model	Appearance	Dimension
ARP-DF (Flush type)		
ARP-DR (Roulette type)		