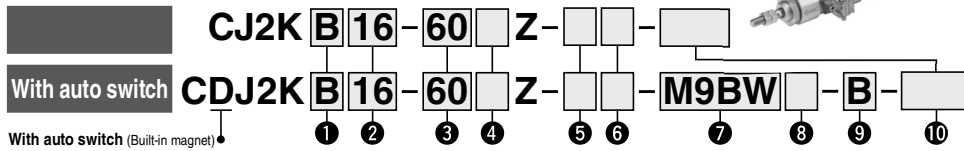


Air Cylinder: Non-rotating Rod Type Double Acting, Single Rod

CJ2K Series ø10, ø16

RoHS

How to Order



With auto switch (Built-in magnet)

1 Mounting

B	Basic
E	Double-side bossed
D**	Double clevis
L	Single foot
M	Double foot
F	Rod flange
G	Head flange

**: Foot/Flange brackets are shipped together with the product, but not assembled.

***: Refer to page 151-1 for the double clevis (with one-touch connecting pin).

7 Auto switch

Nil	Without auto switch
------------	---------------------

*: For applicable auto switches, refer to the table below.

★ Enter the auto switch mounting type (A or B) even when a built-in magnet cylinder without an auto switch is required.

2 Bore size

10	10 mm
16	16 mm

4 Head cover port location

Nil	Perpendicular to axis	
R	Axial	

*: For double clevis, the product is perpendicular to the cylinder axis.

*: For double-side bossed, the product is perpendicular to the cylinder axis.

3 Cylinder standard stroke [mm]

Refer to "Standard Strokes" on page 89.

5 Pivot bracket

Nil	None
N	Pivot bracket is shipped together with the product.

*: Only for the double clevis type

*: Pivot bracket is shipped together with the product, but not assembled.

6 Rod end bracket

Nil	None
V	Single knuckle joint
W**	Double knuckle joint
T	Rod end cap (Flat type)
U	Rod end cap (Round type)

*: Rod end bracket is shipped together with the product, but not assembled.

***: Refer to page 63 for the double knuckle joint (with one-touch connecting pin).

9 Auto switch mounting type

A	Flail mounting
B	Band mounting

*: For rail mounting, screws and nuts for 2 auto switches come with the rail.

*: Refer to page 148 for auto switch mounting brackets.

10 Made to Order

Refer to page 89 for details.

*: Refer to "Ordering Example of Cylinder Assembly" on page 89.

Applicable Auto Switches/Refer to pages 1575 to 1701 for further information on auto switches.

Type	Special function	Electrical entry	Indicator light	Wiring (Output)	Load voltage		Auto switch model				Lead wire length [m]				Pre-wired connector	Applicable load	
					DC	AC	Band mounting		Rail mounting		0.5 (Nil)	1 (M)	3 (L)	5 (Z)			None (N)
							Perpendicular	In-line	Perpendicular	In-line							
Solid state auto switch	—	Grommet	No	3-wire (NPN)	5 V, 12 V	—	M9NV	M9N	M9NV	M9N	●	●	●	○	○	IC circuit	
				3-wire (PNP)			M9PV	M9P	M9PV	M9P	●	●	●	○	○		
		Connector	No	2-wire	12 V	—	M9BV	M9B	M9BV	M9B	●	●	●	○	○	—	
				—	—	H7C	J79C	—	—	—	—	●	—	—	—		
	Diagnostic indication (2-color indicator)	Grommet	Yes	3-wire (NPN)	5 V, 12 V	—	M9NVV	M9N	M9NVV	M9N	●	●	●	○	○	IC circuit	
				3-wire (PNP)			M9PVV	M9P	M9PVV	M9P	●	●	●	○	○		
		Connector	Yes	2-wire	12 V	—	M9BWW	M9B	M9BWW	M9B	●	●	●	○	○	—	
				—	—	—	—	—	—	—	—	●	—	—	—		
Water resistant (2-color indicator)	Grommet	No	3-wire (NPN)	5 V, 12 V	—	M9NAV ^{*1}	M9NA ^{*1}	M9NAV ^{*1}	M9NA ^{*1}	○	○	○	○	○	IC circuit		
			3-wire (PNP)			M9PAV ^{*1}	M9PA ^{*1}	M9PAV ^{*1}	M9PA ^{*1}	○	○	○	○	○			
	Connector	No	2-wire	12 V	—	M9BAV ^{*1}	M9BA ^{*1}	M9BAV ^{*1}	M9BA ^{*1}	○	○	○	○	○	—		
			4-wire (NPN)	5 V, 12 V	—	H7NF	—	F79F	—	—	●	—	—	○	IC circuit		
Reed auto switch	—	Grommet	Yes	3-wire (NPN equivalent)	5 V	—	A96V	A96	A96V	A96	●	—	—	—	—	—	
				—	200 V	—	—	A72	A72H	●	—	—	—	—			
		Connector	No	2-wire	24 V	12 V	100 V or less	A93V ^{*2}	A93	A93V ^{*2}	A93	●	●	●	—	—	IC circuit
							—	A90V	A90	A90V	A90	●	—	—	—	—	
	Diagnostic indication (2-color indicator)	Grommet	Yes	No	2-wire	24 V or less	—	C73C	A73C	—	●	—	●	●	—	IC circuit	
							—	C80C	A80C	—	●	—	●	●	—		
		Connector	No	2-wire	24 V or less	—	—	A79W	—	—	●	—	—	—	—	IC circuit	
						—	—	—	—	—	●	—	—	—	—		

*1: Water resistant type auto switches can be mounted on the above models, but in such case SMC cannot guarantee water resistance. Please contact SMC regarding water resistant types with the above model numbers.

*2: 1 m type lead wire is only applicable to D-A93.

*: Lead wire length symbols: 0.5 m..... Nil (Example) M9NW 5 m..... Z (Example) M9NWZ
 1 m..... M (Example) M9NWM None..... N (Example) H7CN
 3 m..... L (Example) M9NWL

*: Since there are other applicable auto switches than listed, refer to page 149 for details.

*: Solid state auto switches marked with "○" are produced upon receipt of order.

*: The D-A9□/M9□/A7□/A80□/F7□/J7□ auto switches are shipped together, but not assembled. (For band mounting, only auto switch mounting brackets are assembled before being shipped.)

Air Cylinder: Non-rotating Rod Type **CJ2K Series** Double Acting, Single Rod

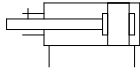
A cylinder which rod does not rotate because of the hexagonal rod shape.

Non-rotating accuracy
 $\phi 10: \pm 1.5^\circ, \phi 16: \pm 1^\circ$
Can operate without lubrication.



Symbol

Double acting, Single rod, Rubber bumper



Made to Order: Individual Specifications
(For details, refer to page 150.)

Symbol	Specifications
-X446	PTFE grease
-X2838	Double clevis (With one-touch connecting pin)

Made to Order

[Click here for details](#)

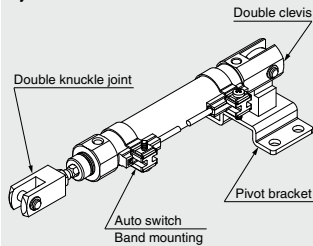
Symbol	Specifications
-XA□	Change of rod end shape
-XC3	Special port location
-XC9	Adjustable stroke cylinder/Adjustable retraction type
-XC10	Dual stroke cylinder/Double rod type
-XC22	Fluororubber seal
-XC51	With hose nipple
-XC85	Grease for food processing equipment

⚠ Precautions

Refer to page 152 before handling.

Ordering Example of Cylinder Assembly

Cylinder model: CDJ2KD16-60Z-NW-M9BW-B



Mounting D: Double clevis
Pivot bracket N: Yes
Rod end bracket W: Double knuckle joint
Auto switch D-M9BW: 2 pcs.
Auto switch mounting B: Band mounting

*: Pivot bracket, double knuckle joint and auto switch are shipped together with the product, but not assembled.

Specifications

Bore size [mm]	10	16
Action	Double acting, Single rod	
Fluid	Air	
Proof pressure	1 MPa	
Maximum operating pressure	0.7 MPa	
Minimum operating pressure	0.06 MPa	
Ambient and fluid temperature	Without auto switch: -10°C to 70°C (No freezing) With auto switch: -10°C to 60°C	
Cushion	Rubber bumper	
Lubrication	Not required (Non-lube)	
Stroke length tolerance	$+1.0$ 0	
Rod non-rotating accuracy	$\pm 1.5^\circ$	$\pm 1^\circ$
Piston speed	50 to 750 mm/s	
Allowable kinetic energy	0.035 J	0.090 J

Standard Strokes

Bore size	Standard stroke [mm]
10	15, 30, 45, 60, 75, 100, 125, 150
16	15, 30, 45, 60, 75, 100, 125, 150, 175, 200

*: Manufacture of intermediate strokes in 1 mm increments is possible. (Spacers are not used.)
 *: Please consult with SMC for strokes which exceed the standard stroke length.

*: Applicable strokes should be confirmed according to the usage. For details, refer to "Air Cylinders Model Selection" on front matter pages. In addition, the products that exceed the standard stroke might not be able to fulfill the specifications due to the deflection etc.

Mounting and Accessories

●...Mounted on the product. ○...Can be ordered within the cylinder model. △...Order separately.

	Mounting	Mounting options				
		Basic	Foot	Flange	Double clevis	Double clevis (including T-bracket)
Standard	Mounting nut	●	●	●	—	—
	Rod end nut	●	●	●	●	●
	Clevis pin (including retaining rings)	—	—	—	●	●
Option	Double clevis (With one-touch connecting pin)	△	△	△	○ (-X2838)	○ (-X2838)
	Single knuckle joint	○	○	○	○	○
	Double knuckle joint (including a pin and retaining rings)	○	○	○	○	○
	Double knuckle joint (With one-touch connecting pin)	△	△	△	△	△
	Rod end cap (Flat/Round type)	○	○	○	○	○
	Pivot bracket (T-bracket)	—	—	—	○	●

Mounting Brackets/Part No.

Mounting bracket	Bore size [mm]	
	10	16
Foot	CJ-L016C	CJK-L016C
Flange	CJ-F016C	CJK-F016C
Pivot bracket (T-bracket)*1	CJ-T010C	CJ-T016C

*1: The pivot bracket (T-bracket) is used with double clevis (D).

Refer to pages 142 to 149 for cylinders with auto switches.

- Auto switch proper mounting position (detection at stroke end) and its mounting height
- Minimum stroke for auto switch mounting
- Operating range
- Auto switch mounting brackets/Part no.



CJ1

CJP

CJ2

JCM

CM2

CM3

CG1

CG3

JMB

MB

MB1

CA2

CS1

CS2

D-□

-X□

Technical Data

CJ2K Series

Weights

		[g]	
		10	16
Basic weight (When the stroke is zero)	Bore size [mm]		
	Basic	25	47
	Axial piping	25	47
	Double clevis (including clevis pin)	27	55
Additional weight per 15 mm of stroke	Head-side bossed	29	50
	Single foot	4	7
Mounting bracket weight	Double foot	8	25
	Rod flange	16	50
	Head flange	5	13
Accessories	Clevis pin	5	13
	One-touch connecting pin for double clevis	1	3
	Single knuckle joint	2	4
	Double knuckle joint (including knuckle pin)	17	23
	Double knuckle joint (With one-touch connecting pin)	25	21
	Rod end cap (Flat type)	26	22
	Rod end cap (Round type)	1	2
	Pivot bracket (T-bracket)	1	2
		32	50

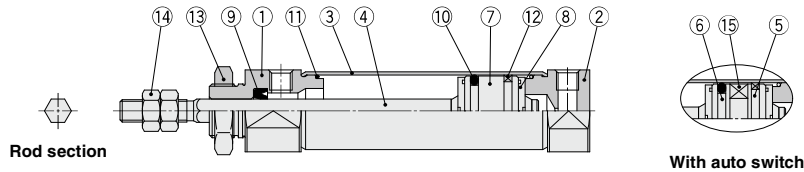
- *: Mounting nut and rod end nut are included in the basic weight.
 *: Mounting nut is not included in the basic weight for the double clevis.

Calculation:

Example) **CJ2KL10-45Z**

- Basic weight25 (ø10)
 - Additional weight4/15 stroke
 - Cylinder stroke45 stroke
 - Mounting bracket weight ...8 (Single foot)
- $25 + 4/15 \times 45 + 8 = 45 \text{ g}$

Construction (Not able to disassemble)



Component Parts

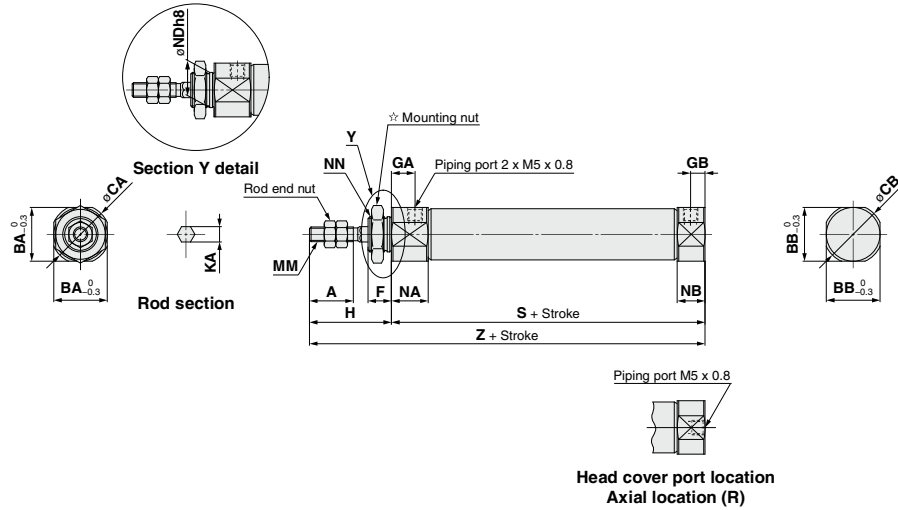
No.	Description	Material	Note
1	Rod cover	Aluminum alloy	
2	Head cover	Aluminum alloy	
3	Cylinder tube	Stainless steel	
4	Piston rod	Stainless steel	
5	Piston A	Aluminum alloy	
6	Piston B	Aluminum alloy	
7	Piston	Aluminum alloy	
8	Bumper	Urethane	

No.	Description	Material	Note
9	Rod seal	NBR	
10	Piston seal	NBR	
11	Tube gasket	NBR	
12	Wear ring	Resin	
13	Mounting nut	Rolled steel	
14	Rod end nut	Rolled steel	
15	Magnet	—	

Air Cylinder: Non-rotating Rod Type **CJ2K Series** Double Acting, Single Rod

Basic (B)

CJ2KB $\frac{10}{16}$ - Stroke Head cover port location Z



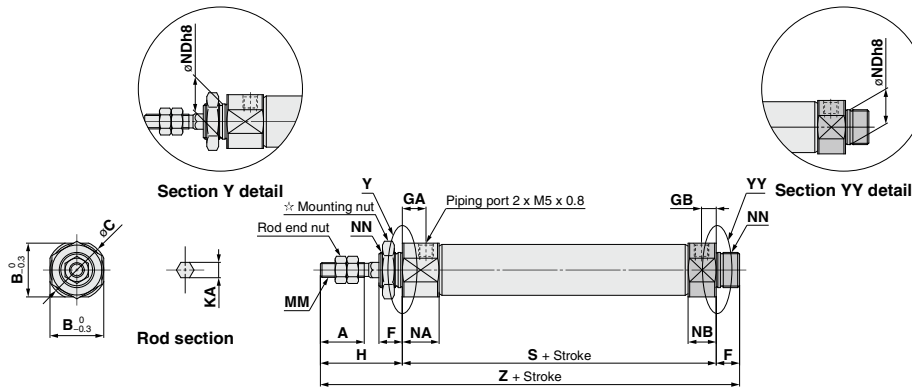
※ The overall cylinder length does not change.

☆ Refer to page 63 for details of the mounting nut. (SNJ-016C for $\phi 10$, SNKJ-016C for $\phi 16$)

Bore size	[mm]																
	A	BA	BB	CA	CB	F	GA	GB	H	KA	MM	NA	NB	NDh8	NN	S	Z
10	15	15	12	17	14	8	8	5	28	4.2	M4 x 0.7	12.5	9.5	10 $^{+0}_{-0.022}$	M10 x 1.0	46	74
16	15	18.3	18.3	20	20	8	8	5	28	5.2	M5 x 0.8	12.5	9.5	12 $^{+0}_{-0.027}$	M12 x 1.0	47	75

Double-side Bossed (E)

CJ2KE $\frac{10}{16}$ - Stroke Z



☆ Refer to page 63 for details of the mounting nut. (SNJ-016C for $\phi 10$, SNKJ-016C for $\phi 16$)

Bore size	[mm]																
	A	B	C	F	GA	GB	H	KA	MM	NA	NB	NDh8	NN	S	Z		
10	15	15	17	8	8	5	28	4.2	M4 x 0.7	12.5	9.5	10 $^{+0}_{-0.022}$	M10 x 1.0	46	82		
16	15	18.3	20	8	8	5	28	5.2	M5 x 0.8	12.5	9.5	12 $^{+0}_{-0.027}$	M12 x 1.0	47	83		

CJ1

CJP

CJ2

JCM

CM2

CM3

CG1

CG3

JMB

MB

MB1

CA2

CS1

CS2

D-□

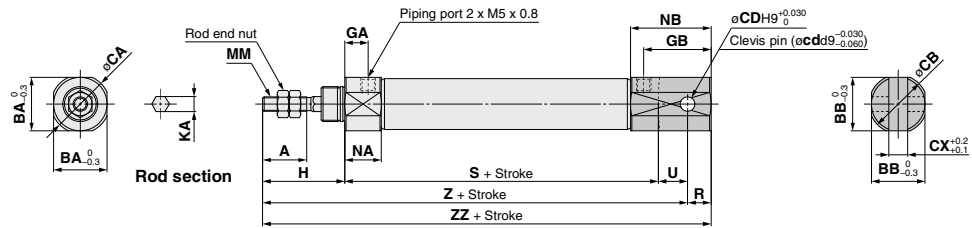
-X□

Technical Data

CJ2K Series

Double Clevis (D)

CJ2KD $\frac{10}{16}$ - Stroke Z

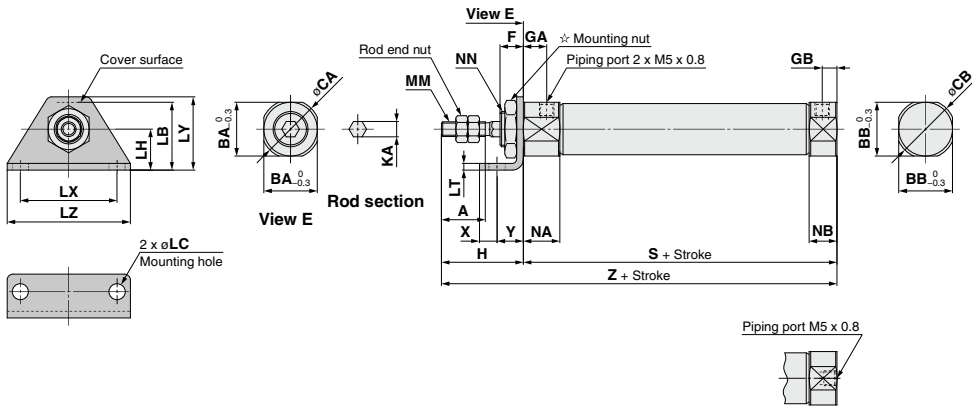


※: A clevis pin and retaining rings are included.

Bore size	A	BA	BB	CA	CB	CD(cd)	CX	GA	GB	H	KA	MM	NA	NB	R	S	U	Z	ZZ
10	15	15	12	17	14	3.3	3.2	8	18	28	4.2	M4 x 0.7	12.5	22.5	5	46	8	82	87
16	15	18.3	18.3	20	20	5	6.5	8	23	28	5.2	M5 x 0.8	12.5	27.5	8	47	10	85	93

Single Foot (L)

CJ2KL $\frac{10}{16}$ - Stroke Head cover port location Z



Head cover port location Axial location (R)

※: The overall cylinder length does not change.

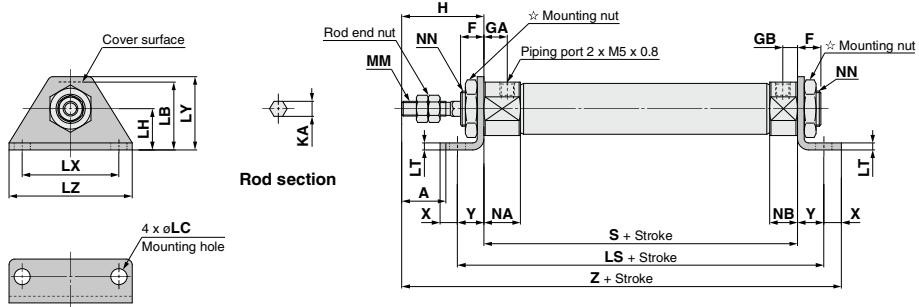
※ Refer to page 63 for details of the mounting nut. (SNJ-016C for $\phi 10$, SNKJ-016C for $\phi 16$)

Bore size	A	BA	BB	CA	CB	F	GA	GB	H	KA	LB	LC	LH	LT	LX	LY	LZ	MM	NA	NB	NN	S	X	Y	Z
10	15	15	12	17	14	8	8	5	28	4.2	21.5	5.5	14	2.3	33	25	42	M4 x 0.7	12.5	9.5	M10 x 1.0	46	6	9	74
16	15	18.3	18.3	20	20	8	8	5	28	5.2	23	5.5	14	2.3	33	25	42	M5 x 0.8	12.5	9.5	M12 x 1.0	47	6	9	75

Air Cylinder: Non-rotating Rod Type Double Acting, Single Rod **CJ2K Series**

Double Foot (M)

CJ2KM $\frac{10}{16}$ - Stroke Z



☆ Refer to page 63 for details of the mounting nut. (SNJ-016C for ø10, SNKJ-016C for ø16)

Bore size	A	F	GA	GB	H	KA	LB	LC	LH	LS	LT	LX	LY	LZ	MM	NA	NB	NN	S	X	Y	Z
10	15	8	8	5	28	4.2	21.5	5.5	14	64	2.3	33	25	42	M4 x 0.7	12.5	9.5	M10 x 1.0	46	6	9	89
16	15	8	8	5	28	5.2	23	5.5	14	65	2.3	33	25	42	M5 x 0.8	12.5	9.5	M12 x 1.0	47	6	9	90

CJ1

CJP

CJ2

JCM

CM2

CM3

CG1

CG3

JMB

MB

MB1

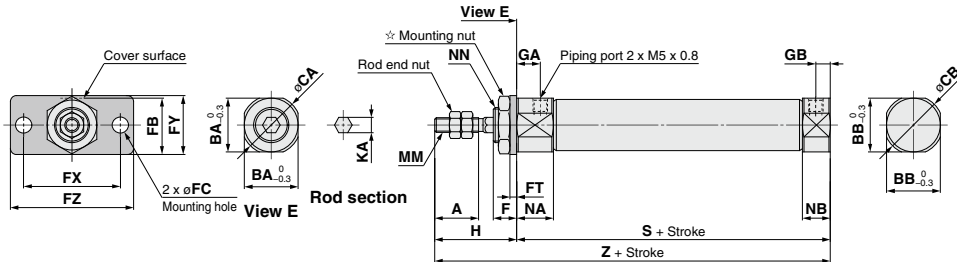
CA2

CS1

CS2

Rod Flange (F)

CJ2KF $\frac{10}{16}$ - Stroke Head cover port location Z



Piping port M5 x 0.8

Head cover port location Axial location (R)

☆: The overall cylinder length does not change.

☆ Refer to page 63 for details of the mounting nut. (SNJ-016C for ø10, SNKJ-016C for ø16)

Bore size	A	BA	BB	CA	CB	F	FB	FC	FT	FX	FY	FZ	GA	GB	H	KA	MM	NA	NB	NN	S	Z
10	15	15	12	17	14	8	17.5	5.5	2.3	33	20	42	8	5	28	4.2	M4 x 0.7	12.5	9.5	M10 x 1.0	46	74
16	15	18.3	18.3	20	20	8	19	5.5	2.3	33	20	42	8	5	28	5.2	M5 x 0.8	12.5	9.5	M12 x 1.0	47	75

D-□

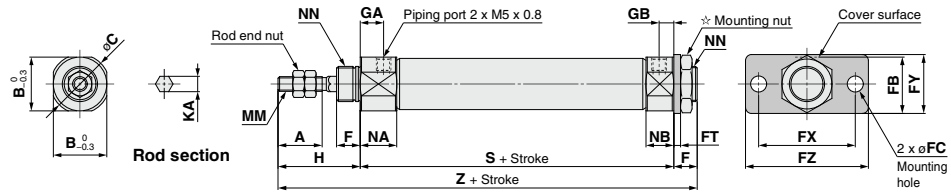
-X□

Technical Data

CJ2K Series

Head Flange (G)

CJ2KG $\frac{10}{16}$ - Stroke Z



☆ Refer to page 63 for details of the mounting nut. (SNJ-016C for $\phi 10$, SNKJ-016C for $\phi 16$)

Bore size	A	B	C	F	FB	FC	FT	FX	FY	FZ	GA	GB	H	KA	MM	NA	NB	NN	S	Z
10	15	15	17	8	17.5	5.5	2.3	33	20	42	8	5	28	4.2	M4 x 0.7	12.5	9.5	M10 x 1.0	46	82
16	15	18.3	20	8	19	5.5	2.3	33	20	42	8	5	28	5.2	M5 x 0.8	12.5	9.5	M12 x 1.0	47	83