

Autonics Counter/Timer CT SERIES INSTRUCTION MANUAL



Thank you for choosing our Autonics product. Please read the following safety considerations before use.

Safety Considerations

Please observe all safety considerations for safe and proper product operation to avoid hazards. Warning: Failure to follow these instructions may result in serious injury or death.

Caution: Failure to follow these instructions may result in personal injury or product damage.

- 1. Fail-safe device must be installed when using the unit with machinery that may cause serious injury or substantial economic loss.
2. Install on a device panel to use.
3. Do not connect, repair, or inspect the unit while connected to a power source.

Caution: Failure to follow this instruction may result in electric shock or fire.

- 1. When connecting communication, the power/sensor input and relay output, use AWG 2.0(0.50mm) cable or over, and tighten the terminal screw with a tightening torque of 0.74 to 0.90N.m.
2. Use the unit within the rated specifications.
3. Use dry cloth to clean the unit, and do not use water or organic solvent.

Manual: For the detail information and instructions, please refer to user manual and user manual for communication, and be sure to follow cautions written in the technical descriptions (catalog, homepage).

Ordering Information

Table with columns for CT, M, P, T, 4, 1. Includes sub-tables for Communication, Power supply, Output, Size, and Item.

Unit Description

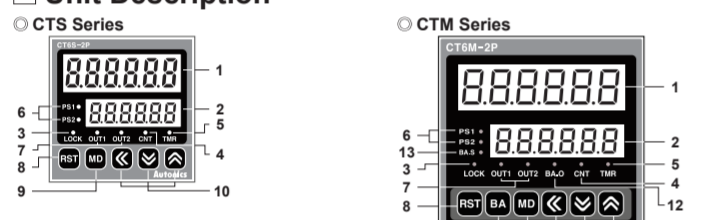
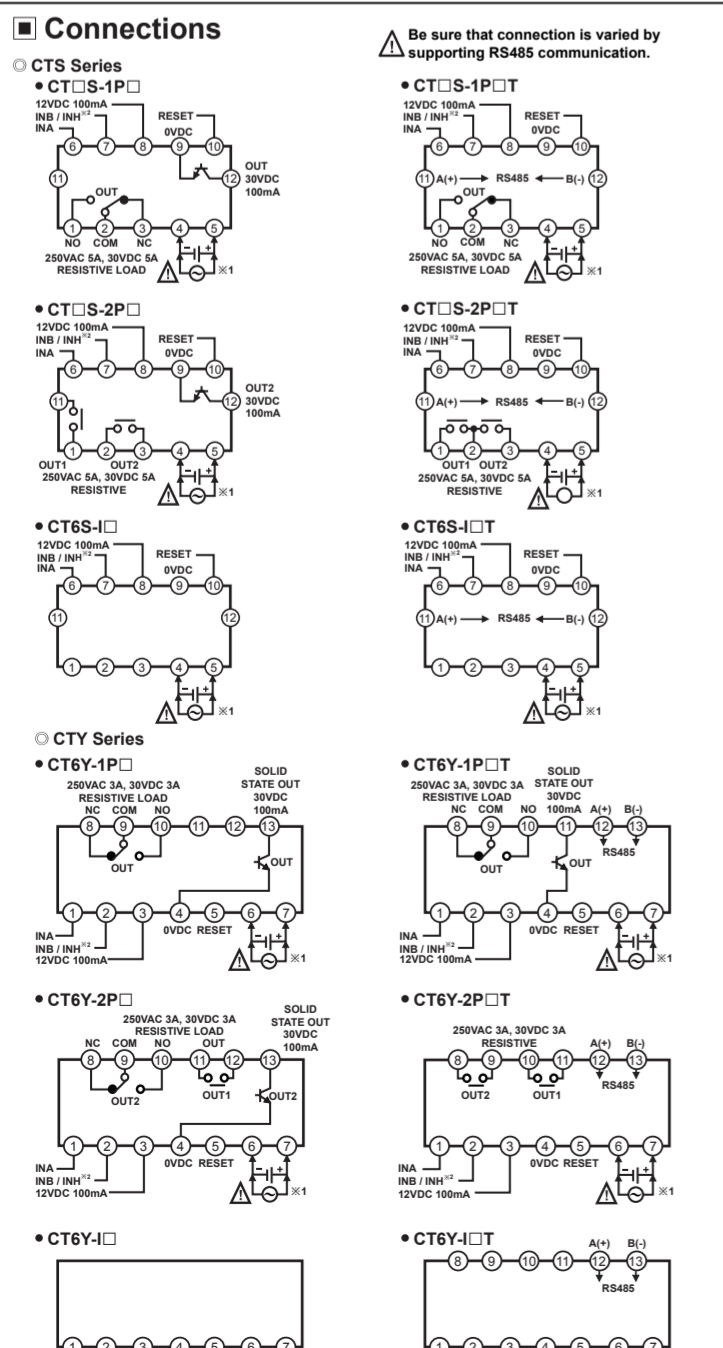


Table with columns for Model, Changed, Note. Lists models like CT4S-1P, CT6S-1P, etc.

- 1. Counting value display component (red)
2. Setting value display component (yellow-green)
3. Key lock indicator (LOCK)
4. Counter indicator (CNT): Turns ON for counter operation.

Connections



Turn OFF the power before changing input logic (PNP/NPN). CTY: No-voltage input (NPN). CTM: Voltage input (NPN).

Specifications

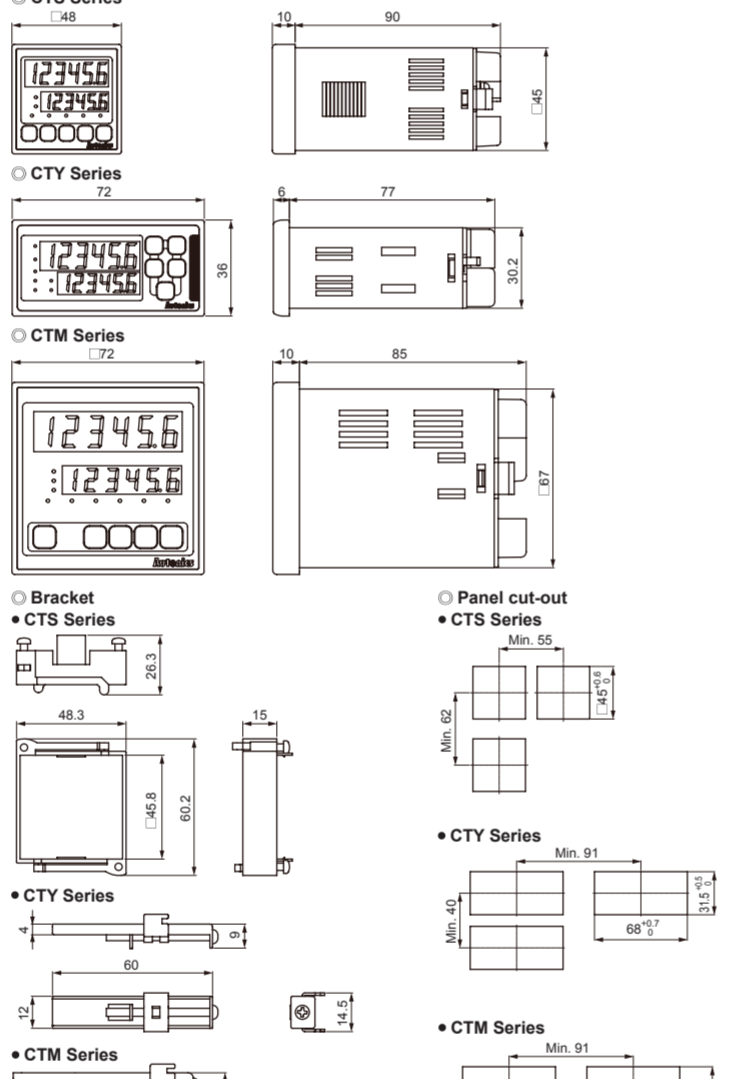
Table with columns for Series, Model, Display digits, Display method, Character, Setting value, Power, AC voltage, AC/DC voltage, AC/DC voltage, Max. AC voltage, Max. AC current, IN/INH, Counting range, Scale, Min. signal width, Time range, Operation method, Min. signal width, Repeat error, Voltage error, Temp. error, Input method, One-shot output time.

Table with columns for Contact output, Control output, External power supply, Memory retention, Insulation resistance, Dielectric strength, AC voltage immunity, AC/DC voltage, Mechanical, Shock, Relay life cycle, Protection structure, Environment, Approval, Weight.

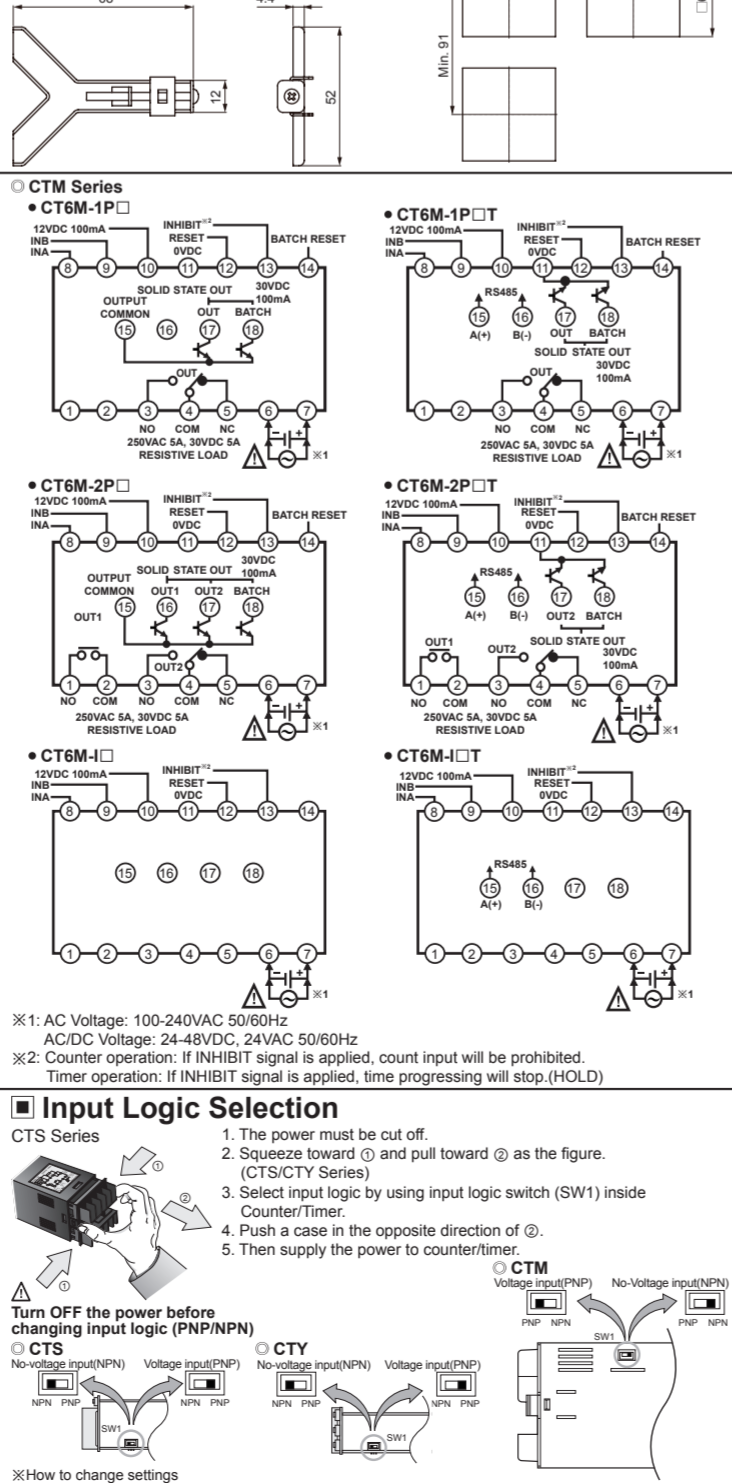
Communication Specifications

Table with columns for Interface, Comm. protocol, Connection type, Application, Max. connection, Comm. type, Synchronous method, Comm. distance, Comm. speed, Comm. response time, Start bit, Data bit, Parity bit, Stop bit.

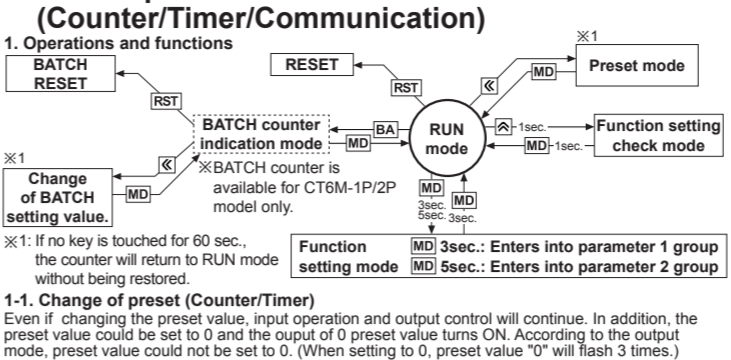
Dimensions



Input Logic Selection



Basic Operations



1.1. Change of preset (Counter/Timer): Even if changing the preset value, input operation and output control will continue. In addition, the preset value could be set to 0 and the output of preset value turns ON.

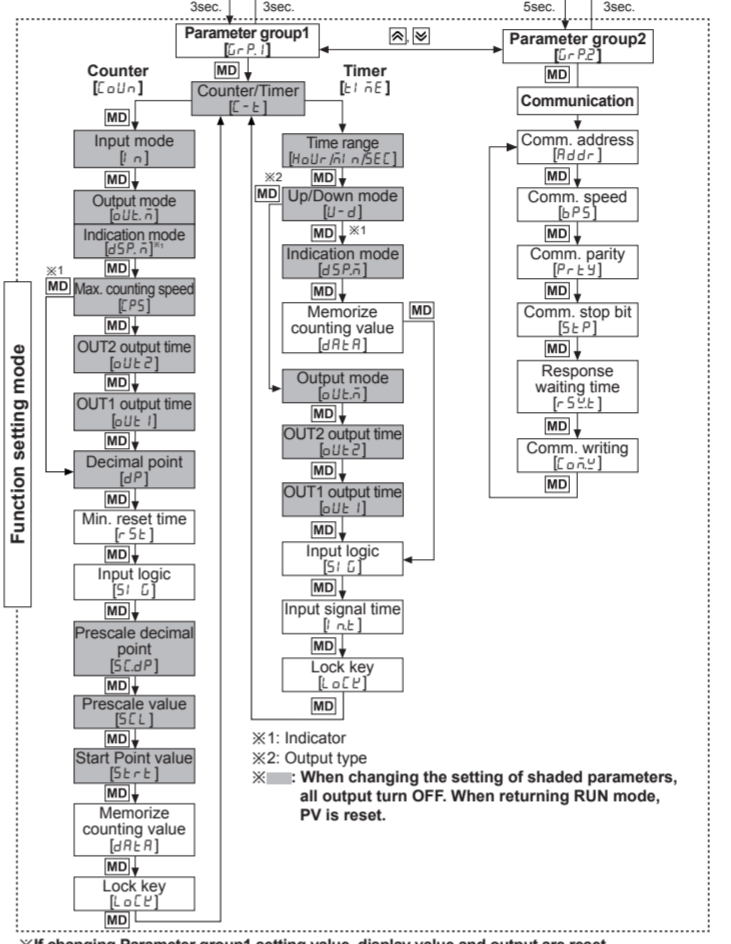


1.2. Function setting check mode: Setting value of function setting mode can be confirmed using the [F] and [G] keys.

1.3. Switching display function in preset indicator: Setting value (P[S1]) and setting value (P[S2]) are displayed each time pressing [MD] key in dual preset model.

1.4. Reset: In RUN mode or function setting mode, if pressing [RST] key or applying the signal to the RESET terminal on the back side, present value will be reset and output will maintain off status.

2. Flow chart for function setting mode: RUN mode flowchart showing steps for Parameter group 1 and 2 settings.

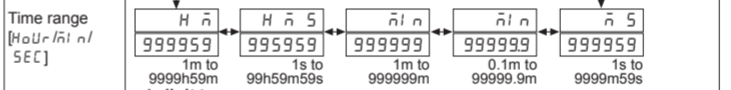


Timer Mode

1. Parameter setting: Counter/Timer [C-T] setting table.

Table with columns for Parameter, Setting, and Note. Shows settings for 6-digit type, 4-digit type, and time range.

2. Timer '0' time setting: 2.1. Timer output mode for '0' time setting. 2.2. Operations by output mode ('0' time setting).



3. Prescale function: This function is to set and display calculated unit for actual length, liquid, position, etc. It is called 'prescale value' for measured length, liquid, or position, etc per 1 pulse.



Factory Default: Table with columns for Parameter, Factory default, and Note. Lists defaults for output mode, prescale value, etc.

Error Display and Output Operation: Table with columns for Error Display, Error description, and Troubleshooting.

Cautions during Use: List of safety and operational warnings.

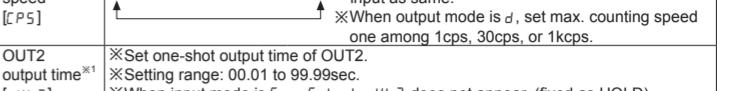
Major Products: List of other Autonics products like sensors, relays, etc.

Counter Mode

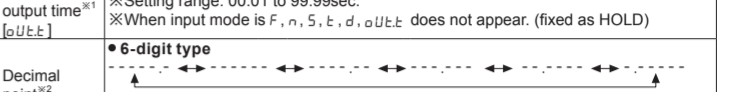
1. Parameter setting: Counter/Timer [C-T] setting table.

Table with columns for Parameter, Setting, and Note. Shows settings for output mode, input mode, etc.

2. Input mode: Input mode is UP, UP-1, UP-2 or dn, dn-1, dn-2. Input mode is Ua, Ub, Ud, Ue, Uf.



3. Prescale value: This function is to set and display calculated unit for actual length, liquid, position, etc. It is called 'prescale value' for measured length, liquid, or position, etc per 1 pulse.



Factory Default: Table with columns for Parameter, Factory default, and Note. Lists defaults for output mode, prescale value, etc.

Error Display and Output Operation: Table with columns for Error Display, Error description, and Troubleshooting.

Cautions during Use: List of safety and operational warnings.

Major Products: List of other Autonics products like sensors, relays, etc.