

Solid State Auto Switch Tie-rod Mounting Type D-G39C/D-K39C



Refer to SMC website for the details of the products conforming to the international standards.

Terminal conduit



Caution

Precautions

1. Use cable whose O.D. is within the size in the figure to maintain water resistant performance.
2. After wiring, confirm that tightening gland and all screws are tightened.

Auto Switch Specifications

PLC: Programmable Logic Controller

D-G39C, D-K39C (With indicator light)		
Auto switch model	D-G39C	D-K39C
Wiring type	3-wire	2-wire
Output type	NPN	—
Applicable load	IC circuit, Relay, PLC	24 VDC Relay, PLC
Power voltage	5, 12, 24 VDC (4.5 to 28 VDC)	—
Current consumption	10 mA or less	—
Load voltage	28 VDC or less	24 VDC (10 to 28 VDC)
Load current	40 mA or less	5 to 40 mA
Internal voltage drop	1.5 V or less (0.8 V or less at 10 mA of load current)	4 V or less
Current leakage	100 μ A or less at 24 VDC	0.8 mA or less at 24 VDC
Indicator light	Red LED illuminates when turned ON.	
Standard	CE marking, RoHS	

Note) Refer to page 1584 for solid state auto switch common specifications.

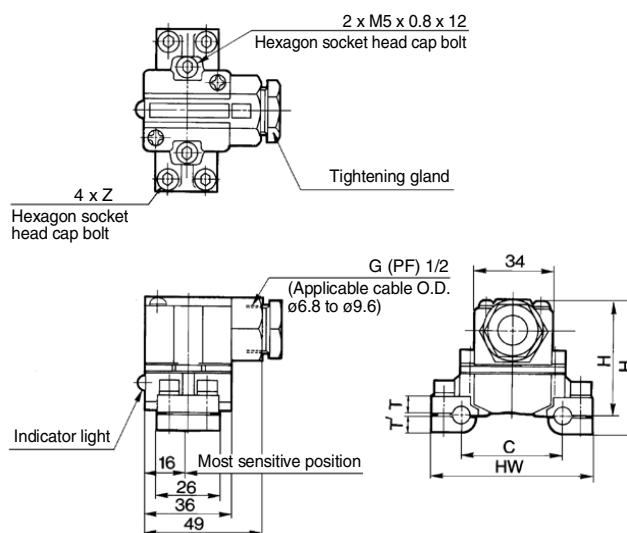
Weight

(g)

Auto switch model	Applicable bore size (mm)	Weight
D-G39C-4, K39C-4	40	162
D-G39C-5, K39C-5	50	166
D-G39C-6, K39C-6	63	184
D-G39C-8, K39C-8	80	210
D-G39C-10, K39C-10	100	232

Dimensions

(mm)



Dimensions

Auto switch model	Applicable bore size (mm)	C	HW	H	H'	T	T'	Z
D-G39C-4, D-K39C-4	40	44	69	57	49.5	7.5	6.5	M5 x 0.8 x 16
D-G39C-5, D-K39C-5	50	52	77	58	50.5	8.5	6.5	M5 x 0.8 x 20
D-G39C-6, D-K39C-6	63	64	91	60.5	52	10.5	7.5	M5 x 0.8 x 20
D-G39C-8, D-K39C-8	80	78	107	64	53.5	12.5	9.5	M5 x 0.8 x 25
D-G39C-10, D-K39C-10	100	92	121	67	56.5	15.5	9.5	M5 x 0.8 x 25