

DIAL DEPTH GAUGE

Wide measuring range for depth measurement

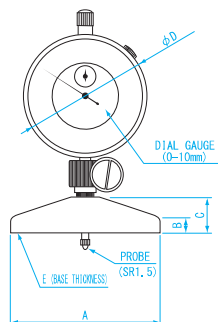


GO/NOGO judgment Limit Mark Sticker P247	Rust prevention Zerust Film for Steel P380
--	--



DD-1050

DIMENSIONS



Units : mm

Model No.	A	B	C	D	E
DD-1050	50	7	18	60	16
DD-10100	100				

USE

- Depth measuring

MATERIAL

- Body&probe: Steel

FEATURES

- Includes multiple extension rods (10mm·20mm·40mm·60mm·80mm), combined up to 210mm depths can be measured

Order No.	Model No.	Graduation (mm)	Measuring Range (mm)	Error over entire range (μm)	Weight
151711	DD-1050	0.01	Depth: up to 210 Dial gauge: 10	±20	280g
151712	DD-10100				350g

DIGITAL THICKNESS GAUGE

Digital type for easy reading

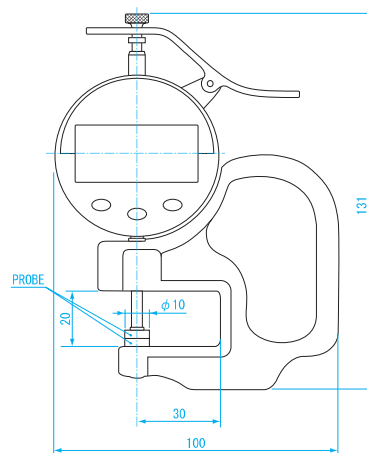


Rust prevention Zerust Film for Steel P380
--



DIMENSIONS

Units : mm



USE

- One touch thickness measurement of sheet material

MATERIAL

- Body: Steel
- Probe: Ceramic

FEATURES

- Digital display for easy reading
- Easy to operate for quick measurements
- Auto power off function (after approx. 5 min.)
- Display hold function

POWER

- One CR2032 (Lithium) battery included for testing

※ Quantization Error (± 1 digit) not included

Order No.	Model No.	Graduation (mm)	Measuring Range (mm)	Insert Depth (mm)	Accuracy [※] (μm)	Measuring Faces	Weight
151720	DES-3010	0.01	0~10	30	±20	φ10mm Flat	180g



DIAL GAUGE

DIAL INDICATOR

THICKNESS GAUGE

BORE GAUGE

CALIPER GAUGE

HARDNESS-TENSION-FILM THICKNESS

MAGNETIC BASE

DIAL THICKNESS GAUGES

Good performance and reasonable price



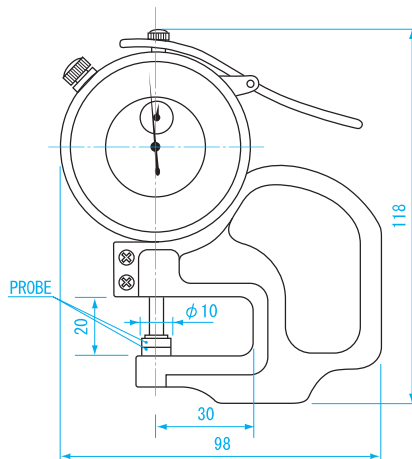
GO/NOGO judgment▶ Limit Mark Sticker P247	Rust prevention▶ Zerust Film for Steel P380
---	---



Example of mounting
DSB-3010S



● DIMENSIONS Units : mm



USE

- One touch thickness measurement of sheet material

MATERIAL

- Body: Steel
- Probe: Ceramic

FEATURES

- Easy to operate for quick measurements
- Shock proof spindle mechanism protects the gear from abrupt motion
- Dedicated base DSB-3010S sold separately (for DS-3010S only)

Order No.	Model No.	Graduation (mm)	Measurement Range (mm)	Insertion Depth (mm)	Accuracy (μm)	Measuring Faces	Weight
151680	DS-3010S	0.01	0~10	30	±20	φ10mm Flat	200g

■ Dial thickness gauge dedicated base

Order No.	Model No.	Weight
151685	DSB-3010S	370g

DIAL THICKNESS GAUGES

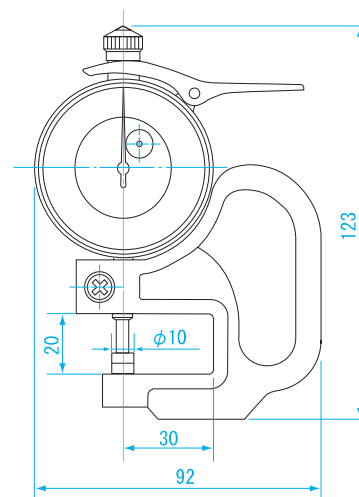
Good performance and reasonable price



GO/NOGO judgment▶ Limit Mark Sticker P247	Rust prevention▶ Zerust Film for Steel P380
---	---



● DIMENSIONS Units : mm



USE

- One touch thickness measurement of sheet metal

MATERIAL

- Body&probe: Steel

FEATURES

- Easy to operate for a quick measurement

Order No.	Model No.	Graduation (mm)	Measurement Range (mm)	Insertion Depth (mm)	Accuracy (μm)	Measuring Faces (mm)	Weight
151532	DS-1211	0.01	0~10	30	±20	φ10mm Flat	260g



- DIAL GAUGE
- DIAL INDICATOR
- THICKNESS GAUGE
- BORE GAUGE
- CALIPER GAUGE
- HARDNESS-TENSION-FILM THICKNESS
- MAGNETIC BASE

DIGITAL BORE GAUGE **NEW!**

Digital gauge included.
Good performance and reasonable price.



Zero pint setting▶ Ring Gauge P68 ~72	Replacement parts▶ Parts for Bore Gauge P257	Rust prevention▶ Zerust Film for Steel P380
--	--	---

Digital indicator included



WCDI-6D

WCDI-10D



WCDI-6D Measuring Head
[Two point measurement]

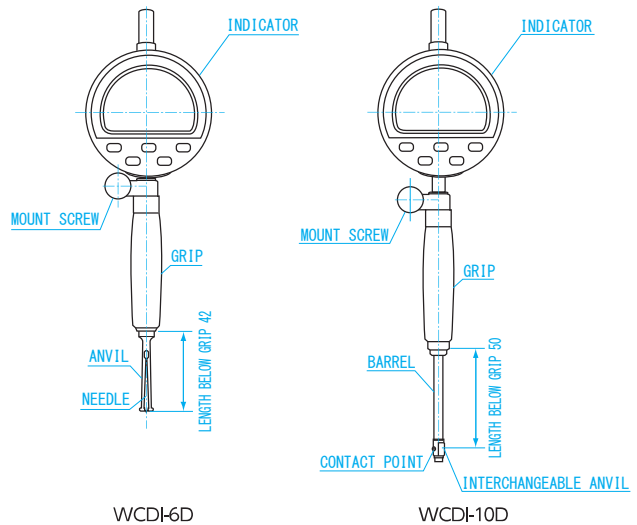


WCDI-10D Measuring Head



● DIMENSIONS · PARTS NAME

Units : mm



WCDI-6D

WCDI-10D

※ Quantization Error (± 1 digit) not included
* Including attached digital gauge

Parts for Bore Gauge⇒P257

Order No.	Model No.	Weight
NEW! 151868	WCDI-6D	255g
NEW! 151869	WCDI-10D	265g

Resolution (mm)	Measuring Range (mm)	Error over Entire Range ^{*)} (μm)	Adjacent Error ^{*)} (μm)	Repeatability ^{*)} (μm)	Effective Stroke of Contact Point (mm)	Interchangeable Anvil	Measuring Head	Interchangeable Washer
0.002	4~ 6	10	5	3	0.6	-	[Two point measurement] 4pcs (0.5mm step)	None
	6~10	12			0.7	9 pcs (0.5mm step)	-	None



DIAL GAUGE

DIAL INDICATOR

THICKNESS GAUGE

BORE GAUGE

CALIPER GAUGE

HARDNESS-TENSION-RUN THICKNESS

MAGNETIC BASE