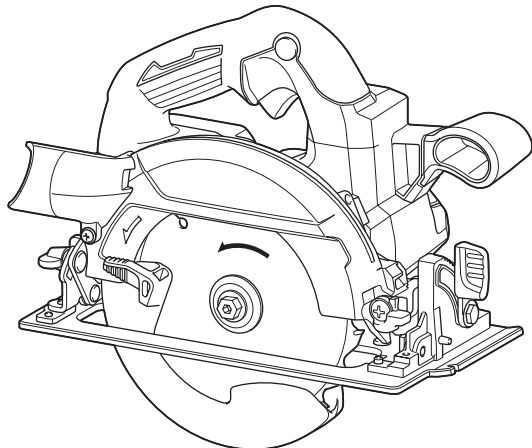
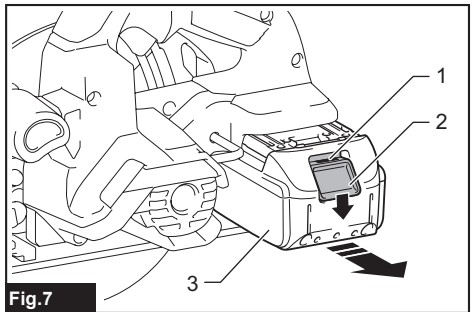
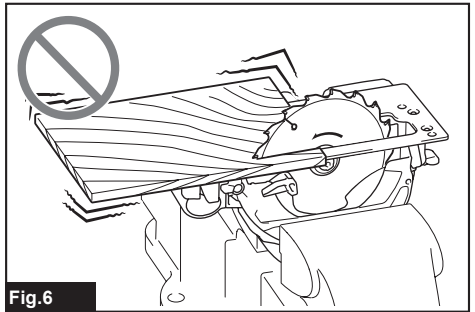
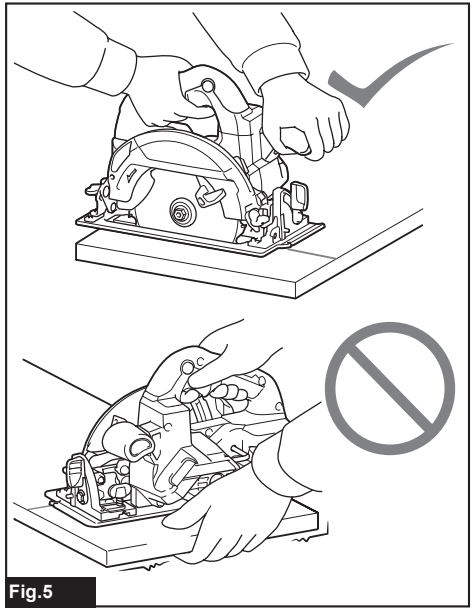
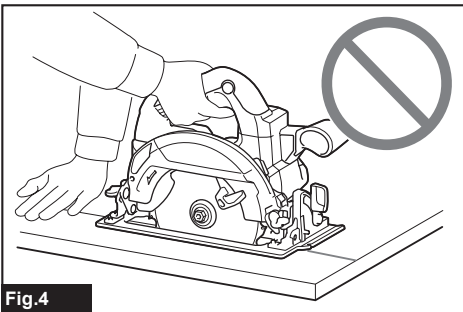
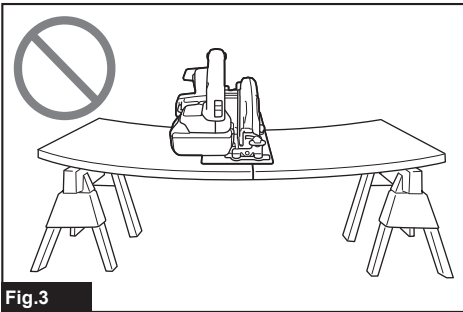
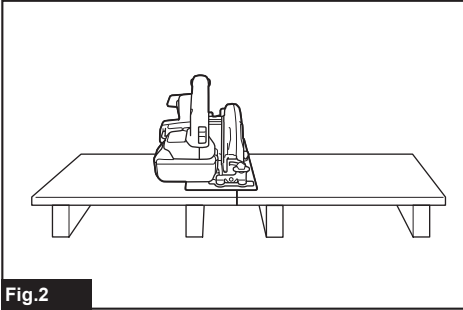
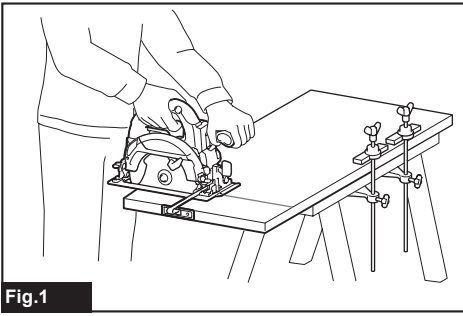




<b>EN</b>	<b>Cordless Circular Saw</b>	<b>INSTRUCTION MANUAL</b>	<b>9</b>
<b>ZHCN</b>	<b>充电式电圆锯</b>	<b>使用说明书</b>	<b>25</b>
<b>ID</b>	<b>Gergaji Bundar Nirkabel</b>	<b>PETUNJUK PENGGUNAAN</b>	<b>42</b>
<b>VI</b>	<b>Máy Cưa Đĩa Cầm Tay Hoạt Động Bằng Pin</b>	<b>TÀI LIỆU HƯỚNG DẪN</b>	<b>59</b>
<b>TH</b>	<b>เลื่อยวงกลมไร้สาย</b>	<b>คู่มือการใช้งาน</b>	<b>75</b>

**DHS660**  
**DHS661**





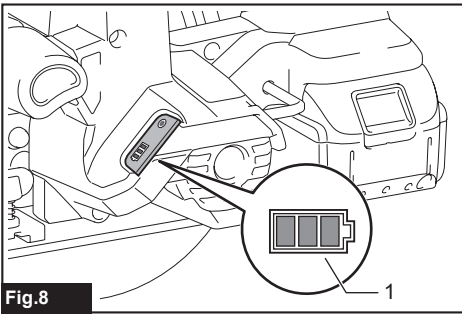


Fig.8

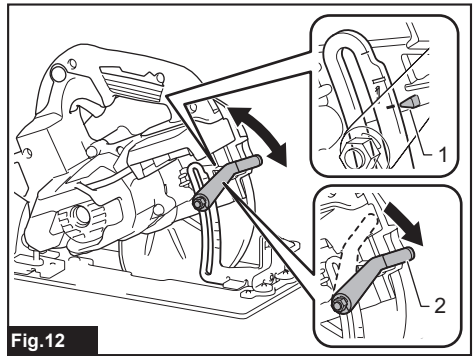


Fig.12

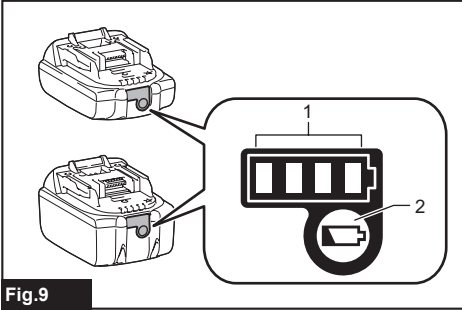


Fig.9

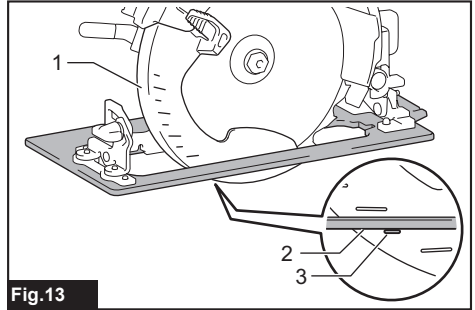


Fig.13

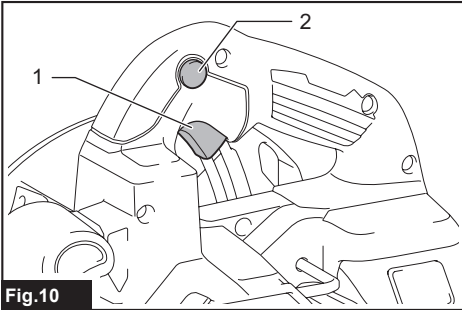


Fig.10

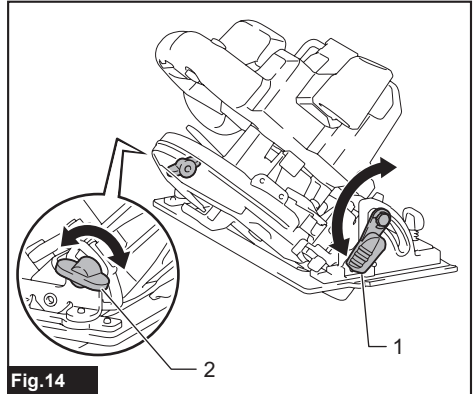


Fig.14

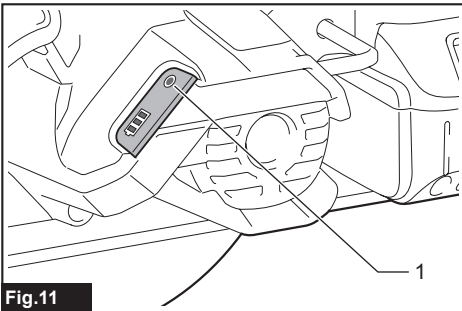


Fig.11

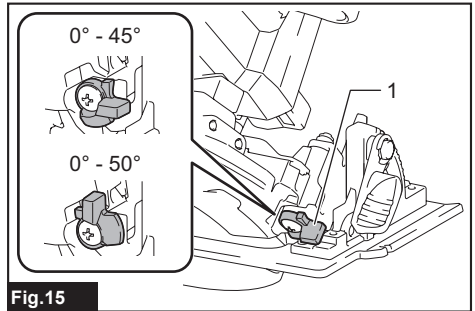
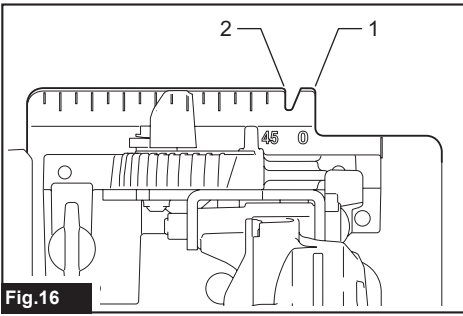
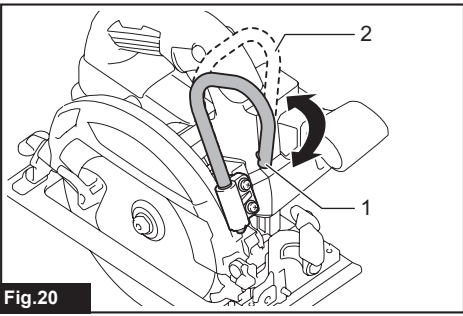


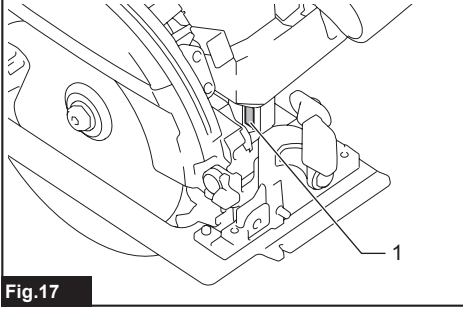
Fig.15



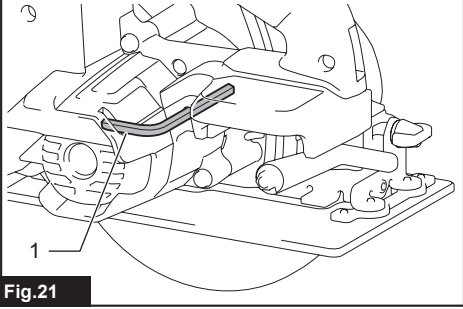
**Fig.16**



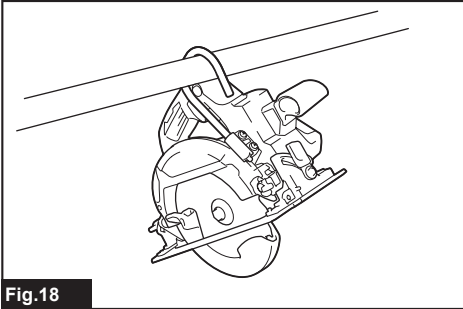
**Fig.20**



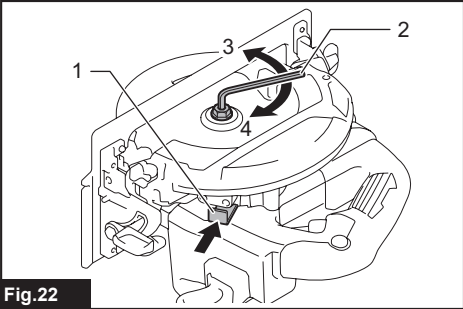
**Fig.17**



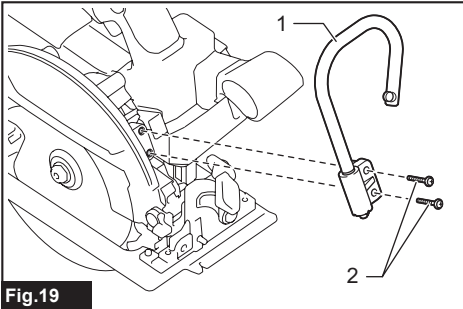
**Fig.21**



**Fig.18**



**Fig.22**



**Fig.19**

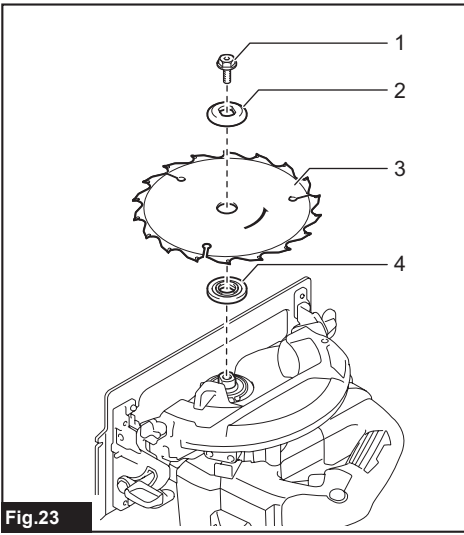


Fig.23

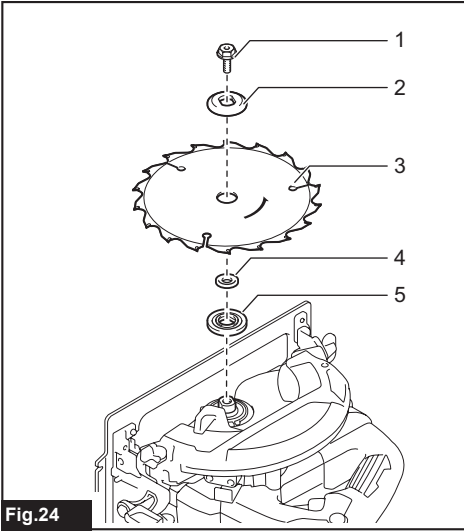


Fig.24

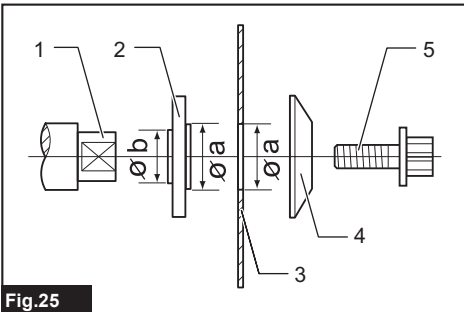


Fig.25

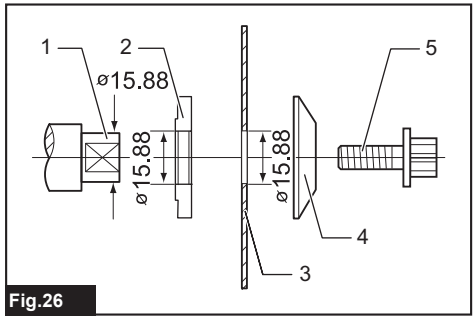


Fig.26

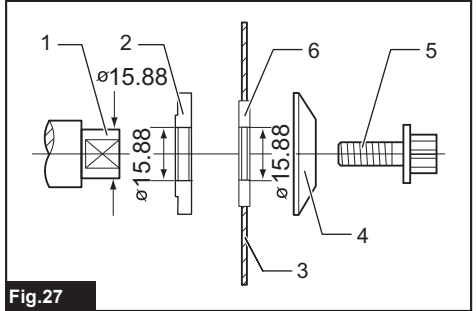


Fig.27

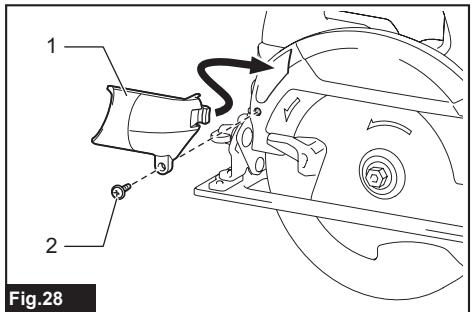


Fig.28

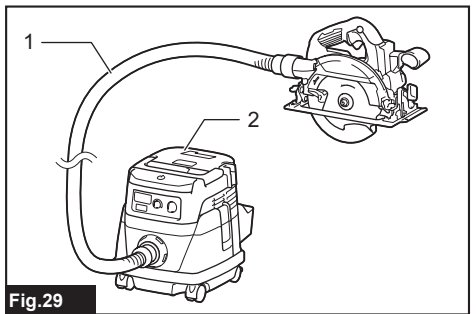


Fig.29

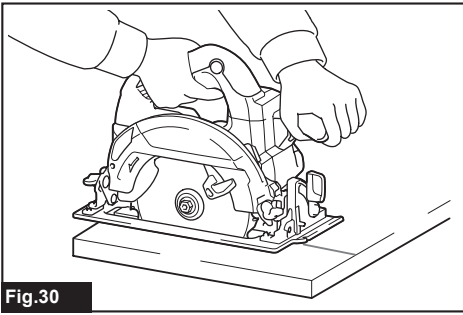


Fig.30

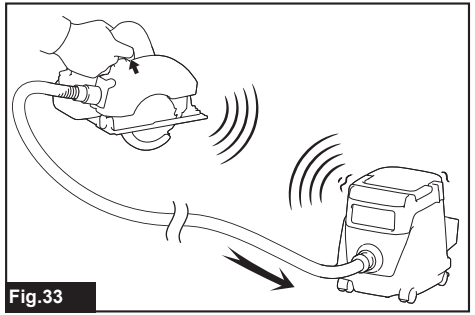


Fig.33

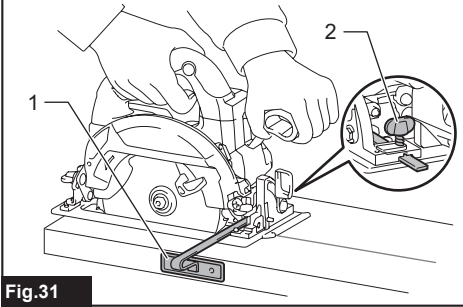


Fig.31

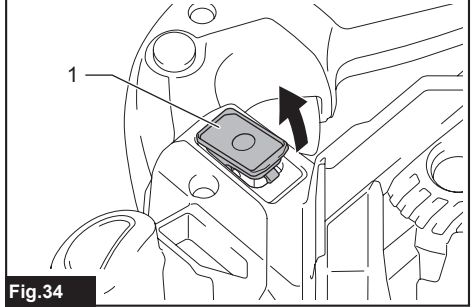


Fig.34

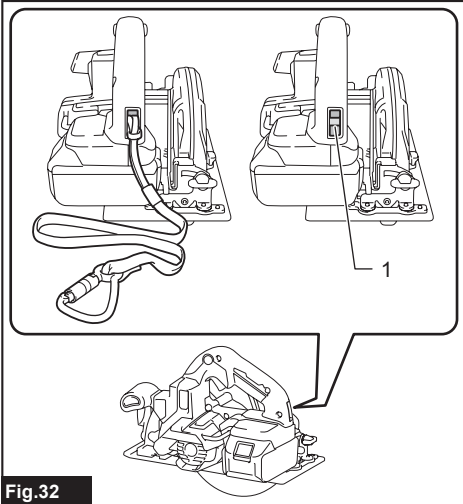


Fig.32

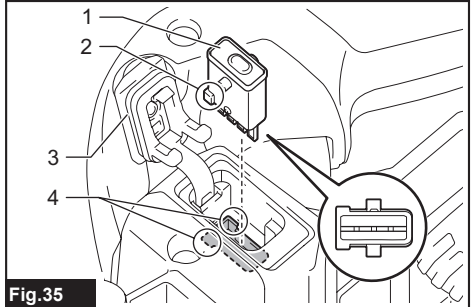


Fig.35

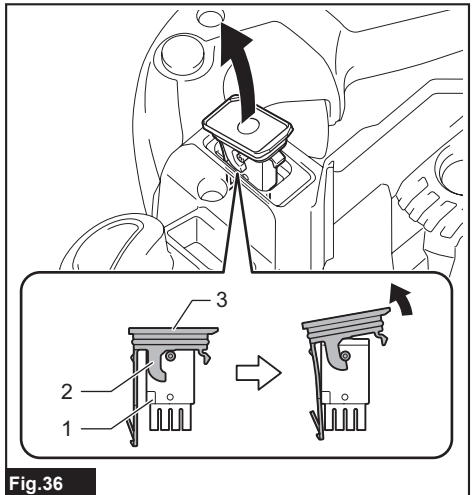


Fig.36

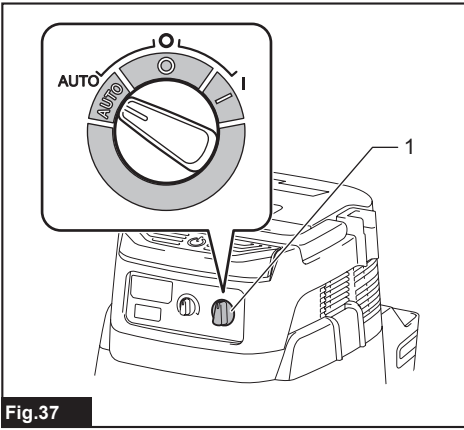


Fig.37

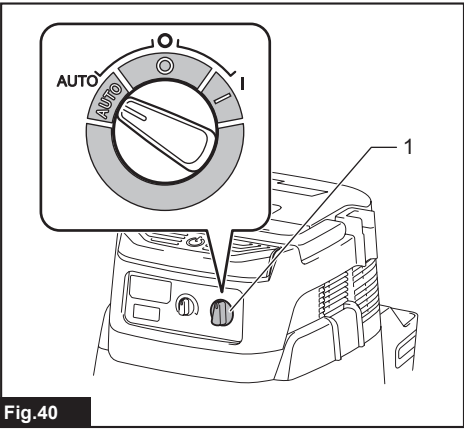


Fig.40

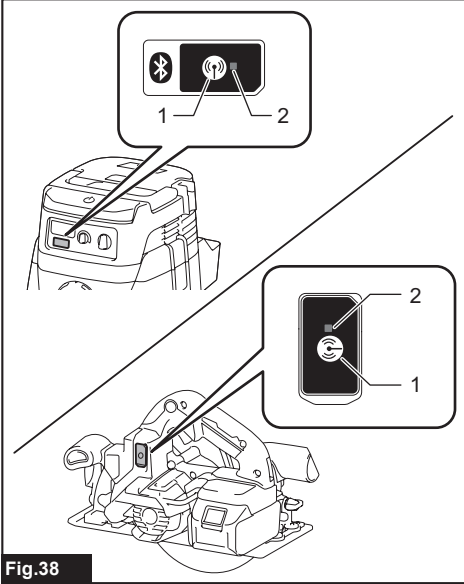


Fig.38

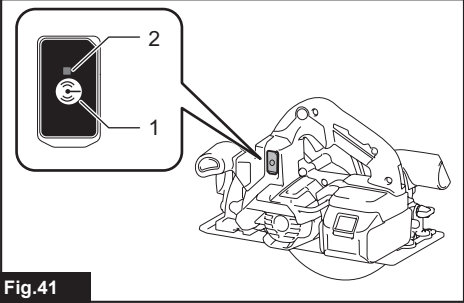


Fig.41

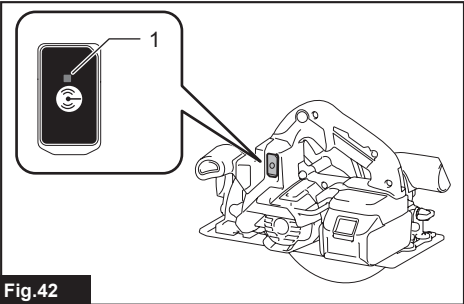


Fig.42

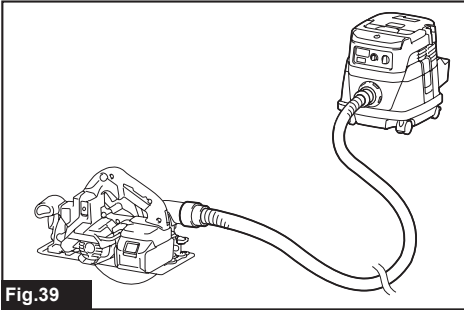


Fig.39

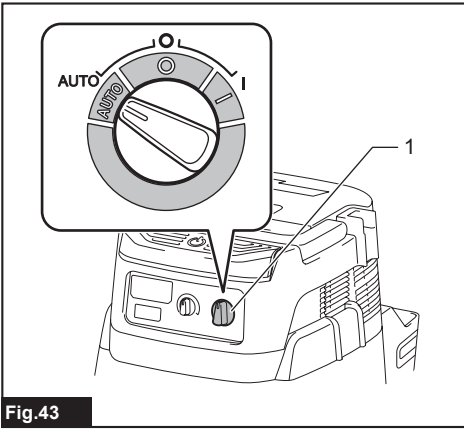


Fig.43

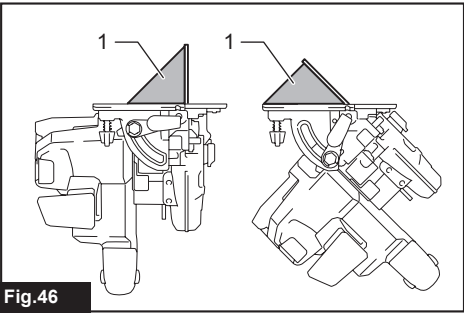


Fig.46

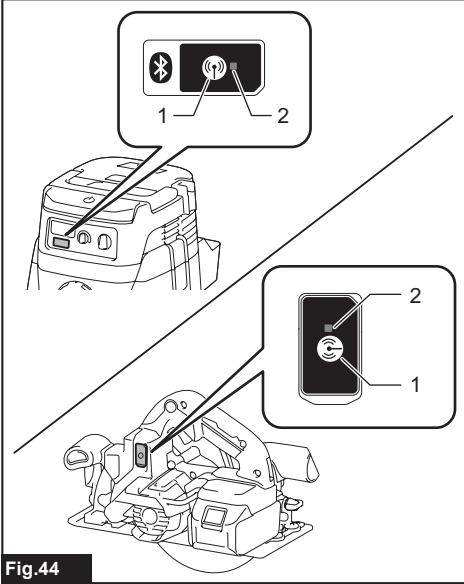


Fig.44

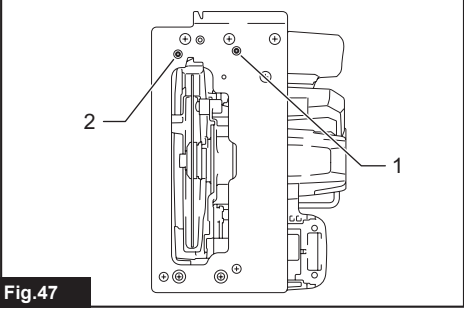


Fig.47

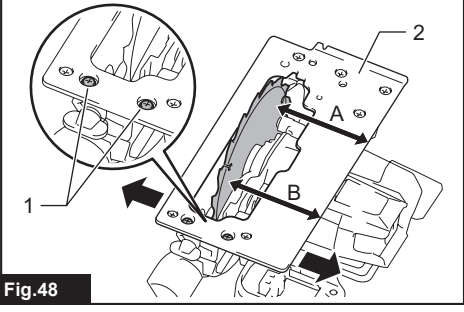


Fig.48

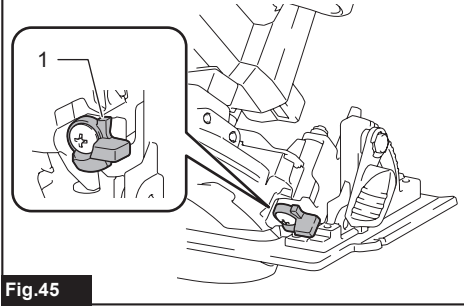


Fig.45



## SPECIFICATIONS

Model:	DHS660	DHS661
Blade diameter	165 mm	
Max. Cutting depth	at 0°	57 mm
	at 45° bevel	41 mm
	at 50° bevel	37 mm
No load speed	5,000 min <sup>-1</sup>	
Overall length	270 mm	
Rated voltage	D.C. 18 V	
Net weight	2.9 - 3.2 kg	

- Due to our continuing program of research and development, the specifications herein are subject to change without notice.
- Specifications and battery cartridge may differ from country to country.
- The weight may differ depending on the attachment(s), including the battery cartridge. The lightest and heaviest combinations, according to EPTA-Procedure 01/2014, are shown in the table.

## Applicable battery cartridge and charger

Battery cartridge	BL1815N / BL1820 / BL1820B / BL1830 / BL1830B / BL1840 / BL1840B / BL1850 / BL1850B / BL1860B
Charger	DC18RC / DC18RD / DC18RE / DC18SD / DC18SE / DC18SF / DC18SH

- Some of the battery cartridges and chargers listed above may not be available depending on your region of residence.

**⚠ WARNING: Only use the battery cartridges and chargers listed above.** Use of any other battery cartridges and chargers may cause injury and/or fire.

## Symbols

The followings show the symbols which may be used for the equipment. Be sure that you understand their meaning before use.



Read instruction manual.



Ni-MH  
Li-Ion

Only for EU countries  
Do not dispose of electric equipment or battery pack together with household waste material!  
In observance of the European Directives, on Waste Electric and Electronic Equipment and Batteries and Accumulators and Waste Batteries and Accumulators and their implementation in accordance with national laws, electric equipment and batteries and battery pack(s) that have reached the end of their life must be collected separately and returned to an environmentally compatible recycling facility.

## Intended use

The tool is intended for performing lengthways and crossways straight cuts and mitre cuts with angles in wood while in firm contact with the workpiece.

## SAFETY WARNINGS

### General power tool safety warnings

**⚠ WARNING: Read all safety warnings, instructions, illustrations and specifications provided with this power tool.** Failure to follow all instructions listed below may result in electric shock, fire and/or serious injury.

### Save all warnings and instructions for future reference.

The term "power tool" in the warnings refers to your mains-operated (corded) power tool or battery-operated (cordless) power tool.

#### Work area safety

1. **Keep work area clean and well lit.** Cluttered or dark areas invite accidents.
2. **Do not operate power tools in explosive atmospheres, such as in the presence of flammable liquids, gases or dust.** Power tools create sparks which may ignite the dust or fumes.
3. **Keep children and bystanders away while operating a power tool.** Distractions can cause you to lose control.

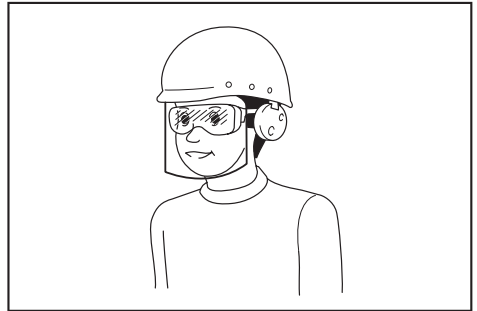
## Electrical safety

1. **Power tool plugs must match the outlet. Never modify the plug in any way. Do not use any adapter plugs with earthed (grounded) power tools.** Unmodified plugs and matching outlets will reduce risk of electric shock.
2. **Avoid body contact with earthed or grounded surfaces, such as pipes, radiators, ranges and refrigerators.** There is an increased risk of electric shock if your body is earthed or grounded.
3. **Do not expose power tools to rain or wet conditions.** Water entering a power tool will increase the risk of electric shock.
4. **Do not abuse the cord. Never use the cord for carrying, pulling or unplugging the power tool. Keep cord away from heat, oil, sharp edges or moving parts.** Damaged or entangled cords increase the risk of electric shock.
5. **When operating a power tool outdoors, use an extension cord suitable for outdoor use.** Use of a cord suitable for outdoor use reduces the risk of electric shock.
6. **If operating a power tool in a damp location is unavoidable, use a residual current device (RCD) protected supply.** Use of an RCD reduces the risk of electric shock.
7. **Power tools can produce electromagnetic fields (EMF) that are not harmful to the user.**  
However, users of pacemakers and other similar medical devices should contact the maker of their device and/or doctor for advice before operating this power tool.

## Personal safety

1. **Stay alert, watch what you are doing and use common sense when operating a power tool. Do not use a power tool while you are tired or under the influence of drugs, alcohol or medication.** A moment of inattention while operating power tools may result in serious personal injury.
2. **Use personal protective equipment. Always wear eye protection.** Protective equipment such as a dust mask, non-skid safety shoes, hard hat or hearing protection used for appropriate conditions will reduce personal injuries.
3. **Prevent unintentional starting. Ensure the switch is in the off-position before connecting to power source and/or battery pack, picking up or carrying the tool.** Carrying power tools with your finger on the switch or energising power tools that have the switch on invites accidents.
4. **Remove any adjusting key or wrench before turning the power tool on.** A wrench or a key left attached to a rotating part of the power tool may result in personal injury.
5. **Do not overreach. Keep proper footing and balance at all times.** This enables better control of the power tool in unexpected situations.
6. **Dress properly. Do not wear loose clothing or jewellery. Keep your hair and clothing away from moving parts.** Loose clothes, jewellery or long hair can be caught in moving parts.

7. **If devices are provided for the connection of dust extraction and collection facilities, ensure these are connected and properly used.** Use of dust collection can reduce dust-related hazards.
8. **Do not let familiarity gained from frequent use of tools allow you to become complacent and ignore tool safety principles.** A careless action can cause severe injury within a fraction of a second.
9. **Always wear protective goggles to protect your eyes from injury when using power tools. The goggles must comply with ANSI Z87.1 in the USA, EN 166 in Europe, or AS/NZS 1336 in Australia/New Zealand. In Australia/New Zealand, it is legally required to wear a face shield to protect your face, too.**



It is an employer's responsibility to enforce the use of appropriate safety protective equipments by the tool operators and by other persons in the immediate working area.

## Power tool use and care

1. **Do not force the power tool. Use the correct power tool for your application.** The correct power tool will do the job better and safer at the rate for which it was designed.
2. **Do not use the power tool if the switch does not turn it on and off.** Any power tool that cannot be controlled with the switch is dangerous and must be repaired.
3. **Disconnect the plug from the power source and/or remove the battery pack, if detachable, from the power tool before making any adjustments, changing accessories, or storing power tools.** Such preventive safety measures reduce the risk of starting the power tool accidentally.
4. **Store idle power tools out of the reach of children and do not allow persons unfamiliar with the power tool or these instructions to operate the power tool.** Power tools are dangerous in the hands of untrained users.
5. **Maintain power tools and accessories. Check for misalignment or binding of moving parts, breakage of parts and any other condition that may affect the power tool's operation. If damaged, have the power tool repaired before use.** Many accidents are caused by poorly maintained power tools.
6. **Keep cutting tools sharp and clean.** Properly maintained cutting tools with sharp cutting edges are less likely to bind and are easier to control.

7. Use the power tool, accessories and tool bits etc. in accordance with these instructions, taking into account the working conditions and the work to be performed. Use of the power tool for operations different from those intended could result in a hazardous situation.
8. Keep handles and grasping surfaces dry, clean and free from oil and grease. Slippery handles and grasping surfaces do not allow for safe handling and control of the tool in unexpected situations.
9. When using the tool, do not wear cloth work gloves which may be entangled. The entanglement of cloth work gloves in the moving parts may result in personal injury.

#### Battery tool use and care

1. Recharge only with the charger specified by the manufacturer. A charger that is suitable for one type of battery pack may create a risk of fire when used with another battery pack.
2. Use power tools only with specifically designed battery packs. Use of any other battery packs may create a risk of injury and fire.
3. When battery pack is not in use, keep it away from other metal objects, like paper clips, coins, keys, nails, screws or other small metal objects, that can make a connection from one terminal to another. Shorting the battery terminals together may cause burns or a fire.
4. Under abusive conditions, liquid may be ejected from the battery; avoid contact. If contact accidentally occurs, flush with water. If liquid contacts eyes, additionally seek medical help. Liquid ejected from the battery may cause irritation or burns.
5. Do not use a battery pack or tool that is damaged or modified. Damaged or modified batteries may exhibit unpredictable behaviour resulting in fire, explosion or risk of injury.
6. Do not expose a battery pack or tool to fire or excessive temperature. Exposure to fire or temperature above 130 °C may cause explosion.
7. Follow all charging instructions and do not charge the battery pack or tool outside the temperature range specified in the instructions. Charging improperly or at temperatures outside the specified range may damage the battery and increase the risk of fire.

#### Service

1. Have your power tool serviced by a qualified repair person using only identical replacement parts. This will ensure that the safety of the power tool is maintained.
2. Never service damaged battery packs. Service of battery packs should only be performed by the manufacturer or authorized service providers.
3. Follow instruction for lubricating and changing accessories.

## Cordless circular saw safety warnings

### Cutting procedures

1. **⚠ DANGER: Keep hands away from cutting area and the blade. Keep your second hand on auxiliary handle, or motor housing.** If both hands are holding the saw, they cannot be cut by the blade.
2. Do not reach underneath the workpiece. The guard cannot protect you from the blade below the workpiece.
3. Adjust the cutting depth to the thickness of the workpiece. Less than a full tooth of the blade teeth should be visible below the workpiece.
4. Never hold the workpiece in your hands or across your leg while cutting. Secure the workpiece to a stable platform. It is important to support the work properly to minimise body exposure, blade binding, or loss of control.

#### ► Fig.1

5. Hold the power tool by insulated gripping surfaces, when performing an operation where the cutting tool may contact hidden wiring. Contact with a "live" wire will also make exposed metal parts of the power tool "live" and could give the operator an electric shock.
6. When ripping, always use a rip fence or straight edge guide. This improves the accuracy of cut and reduces the chance of blade binding.
7. Always use blades with correct size and shape (diamond versus round) of arbour holes. Blades that do not match the mounting hardware of the saw will run off-centre, causing loss of control.
8. Never use damaged or incorrect blade washers or bolt. The blade washers and bolt were specially designed for your saw, for optimum performance and safety of operation.

### Kickback causes and related warnings

- kickback is a sudden reaction to a pinched, jammed or misaligned saw blade, causing an uncontrolled saw to lift up and out of the workpiece toward the operator;
- when the blade is pinched or jammed tightly by the kerf closing down, the blade stalls and the motor reaction drives the unit rapidly back toward the operator;
- if the blade becomes twisted or misaligned in the cut, the teeth at the back edge of the blade can dig into the top surface of the wood causing the blade to climb out of the kerf and jump back toward the operator.

Kickback is the result of saw misuse and/or incorrect operating procedures or conditions and can be avoided by taking proper precautions as given below.

1. Maintain a firm grip with both hands on the saw and position your arms to resist kickback forces. Position your body to either side of the blade, but not in line with the blade. Kickback could cause the saw to jump backwards, but kickback forces can be controlled by the operator, if proper precautions are taken.

2. **When blade is binding, or when interrupting a cut for any reason, release the trigger and hold the saw motionless in the material until the blade comes to a complete stop. Never attempt to remove the saw from the work or pull the saw backward while the blade is in motion or kickback may occur.** Investigate and take corrective actions to eliminate the cause of blade binding.
3. **When restarting a saw in the workpiece, centre the saw blade in the kerf so that the saw teeth are not engaged into the material.** If a saw blade binds, it may walk up or kickback from the workpiece as the saw is restarted.
4. **Support large panels to minimise the risk of blade pinching and kickback.** Large panels tend to sag under their own weight. Supports must be placed under the panel on both sides, near the line of cut and near the edge of the panel.
3. **The lower guard may be retracted manually only for special cuts such as “plunge cuts” and “compound cuts”.** Raise the lower guard by the retracting handle and as soon as the blade enters the material, the lower guard must be released. For all other sawing, the lower guard should operate automatically.
4. **Always observe that the lower guard is covering the blade before placing the saw down on bench or floor.** An unprotected, coasting blade will cause the saw to walk backwards, cutting whatever is in its path. Be aware of the time it takes for the blade to stop after switch is released.
5. **To check lower guard, open lower guard by hand, then release and watch guard closure. Also check to see that retracting handle does not touch tool housing.** Leaving blade exposed is VERY DANGEROUS and can lead to serious personal injury.

► Fig.2

► Fig.3

5. **Do not use dull or damaged blades.** Unsharpened or improperly set blades produce narrow kerf causing excessive friction, blade binding and kickback.
6. **Blade depth and bevel adjusting locking levers must be tight and secure before making the cut.** If blade adjustment shifts while cutting, it may cause binding and kickback.
7. **Use extra caution when sawing into existing walls or other blind areas.** The protruding blade may cut objects that can cause kickback.
8. **ALWAYS hold the tool firmly with both hands. NEVER place your hand, leg or any part of your body under the tool base or behind the saw, especially when making cross-cuts.** If kickback occurs, the saw could easily jump backwards over your hand, leading to serious personal injury.

► Fig.4

9. **Never force the saw. Push the saw forward at a speed so that the blade cuts without slowing.** Forcing the saw can cause uneven cuts, loss of accuracy, and possible kickback.

### Lower guard function

1. **Check the lower guard for proper closing before each use. Do not operate the saw if the lower guard does not move freely and close instantly. Never clamp or tie the lower guard into the open position.** If the saw is accidentally dropped, the lower guard may be bent. Raise the lower guard with the retracting handle and make sure it moves freely and does not touch the blade or any other part, in all angles and depths of cut.
2. **Check the operation of the lower guard spring. If the guard and the spring are not operating properly, they must be serviced before use.** Lower guard may operate sluggishly due to damaged parts, gummy deposits, or a build-up of debris.

### Additional safety warnings

1. **Use extra caution when cutting damp wood, pressure treated lumber, or wood containing knots.** Maintain smooth advancement of tool without decrease in blade speed to avoid overheating the blade tips.
2. **Do not attempt to remove cut material when blade is moving. Wait until blade stops before grasping cut material.** Blades coast after turn off.
3. **Avoid cutting nails. Inspect for and remove all nails from lumber before cutting.**
4. **Place the wider portion of the saw base on that part of the workpiece which is solidly supported, not on the section that will fall off when the cut is made. If the workpiece is short or small, clamp it down. DO NOT TRY TO HOLD SHORT PIECES BY HAND!**

► Fig.5

5. **Before setting the tool down after completing a cut, be sure that the guard has closed and the blade has come to a complete stop.**
6. **Never attempt to saw with the circular saw held upside down in a vise. This is extremely dangerous and can lead to serious accidents.**

► Fig.6

7. **Some material contains chemicals which may be toxic. Take caution to prevent dust inhalation and skin contact. Follow material supplier safety data.**
8. **Do not stop the blades by lateral pressure on the saw blade.**
9. **Do not use any abrasive wheels.**
10. **Only use the saw blade with the diameter that is marked on the tool or specified in the manual.** Use of an incorrectly sized blade may affect the proper guarding of the blade or guard operation which could result in serious personal injury.
11. **Keep blade sharp and clean.** Gum and wood pitch hardened on blades slows saw and increases potential for kickback. Keep blade clean by first removing it from tool, then cleaning it with gum and pitch remover, hot water or kerosene. Never use gasoline.
12. **Wear a dust mask and hearing protection when use the tool.**

13. Always use the saw blade intended for cutting the material that you are going to cut.
14. Only use the saw blades that are marked with a speed equal or higher than the speed marked on the tool.
15. (For European countries only)  
Always use the blade which conforms to EN847-1.
16. Place the tool and the parts on a flat and stable surface. Otherwise the tool or the parts may fall and cause an injury.
10. The contained lithium-ion batteries are subject to the Dangerous Goods Legislation requirements.  
For commercial transports e.g. by third parties, forwarding agents, special requirement on packaging and labeling must be observed. For preparation of the item being shipped, consulting an expert for hazardous material is required. Please also observe possibly more detailed national regulations.  
Tape or mask off open contacts and pack up the battery in such a manner that it cannot move around in the packaging.

## SAVE THESE INSTRUCTIONS.

**⚠WARNING:** DO NOT let comfort or familiarity with product (gained from repeated use) replace strict adherence to safety rules for the subject product. MISUSE or failure to follow the safety rules stated in this instruction manual may cause serious personal injury.

### Important safety instructions for battery cartridge

1. Before using battery cartridge, read all instructions and cautionary markings on (1) battery charger, (2) battery, and (3) product using battery.
2. Do not disassemble or tamper the battery cartridge. It may result in a fire, excessive heat, or explosion.
3. If operating time has become excessively shorter, stop operating immediately. It may result in a risk of overheating, possible burns and even an explosion.
4. If electrolyte gets into your eyes, rinse them out with clear water and seek medical attention right away. It may result in loss of your eyesight.
5. Do not short the battery cartridge:
  - (1) Do not touch the terminals with any conductive material.
  - (2) Avoid storing battery cartridge in a container with other metal objects such as nails, coins, etc.
  - (3) Do not expose battery cartridge to water or rain.

A battery short can cause a large current flow, overheating, possible burns and even a breakdown.
6. Do not store and use the tool and battery cartridge in locations where the temperature may reach or exceed 50 °C (122 °F).
7. Do not incinerate the battery cartridge even if it is severely damaged or is completely worn out. The battery cartridge can explode in a fire.
8. Do not nail, cut, crush, throw, drop the battery cartridge, or hit against a hard object to the battery cartridge. Such conduct may result in a fire, excessive heat, or explosion.
9. Do not use a damaged battery.
11. When disposing the battery cartridge, remove it from the tool and dispose of it in a safe place. Follow your local regulations relating to disposal of battery.
12. Use the batteries only with the products specified by Makita. Installing the batteries to non-compliant products may result in a fire, excessive heat, explosion, or leak of electrolyte.
13. If the tool is not used for a long period of time, the battery must be removed from the tool.
14. During and after use, the battery cartridge may take on heat which can cause burns or low temperature burns. Pay attention to the handling of hot battery cartridges.
15. Do not touch the terminal of the tool immediately after use as it may get hot enough to cause burns.
16. Do not allow chips, dust, or soil stuck into the terminals, holes, and grooves of the battery cartridge. It may result in poor performance or breakdown of the tool or battery cartridge.
17. Unless the tool supports the use near high-voltage electrical power lines, do not use the battery cartridge near high-voltage electrical power lines. It may result in a malfunction or breakdown of the tool or battery cartridge.
18. Keep the battery away from children.

## SAVE THESE INSTRUCTIONS.

**⚠CAUTION:** Only use genuine Makita batteries. Use of non-genuine Makita batteries, or batteries that have been altered, may result in the battery bursting causing fires, personal injury and damage. It will also void the Makita warranty for the Makita tool and charger.

## Tips for maintaining maximum battery life

1. Charge the battery cartridge before completely discharged. Always stop tool operation and charge the battery cartridge when you notice less tool power.
2. Never recharge a fully charged battery cartridge. Overcharging shortens the battery service life.
3. Charge the battery cartridge with room temperature at 10 °C - 40 °C (50 °F - 104 °F). Let a hot battery cartridge cool down before charging it.
4. When not using the battery cartridge, remove it from the tool or the charger.

5. Charge the battery cartridge if you do not use it for a long period (more than six months).

## Important safety instructions for wireless unit

1. Do not disassemble or tamper with the wireless unit.
2. Keep the wireless unit away from young children. If accidentally swallowed, seek medical attention immediately.
3. Use the wireless unit only with Makita tools.
4. Do not expose the wireless unit to rain or wet conditions.
5. Do not use the wireless unit in places where the temperature exceeds 50°C (122°F).
6. Do not operate the wireless unit in places where medical instruments, such as heart pace makers are nearby.
7. Do not operate the wireless unit in places where automated devices are nearby. If operated, automated devices may develop malfunction or error.
8. Do not operate the wireless unit in places under high temperature or places where static electricity or electrical noise could be generated.
9. The wireless unit can produce electromagnetic fields (EMF) but they are not harmful to the user.
10. The wireless unit is an accurate instrument. Be careful not to drop or strike the wireless unit.
11. Avoid touching the terminal of the wireless unit with bare hands or metallic materials.
12. Always remove the battery on the product when installing the wireless unit into it.
13. When opening the lid of the slot, avoid the place where dust and water may come into the slot. Always keep the inlet of the slot clean.
14. Always insert the wireless unit in the correct direction.
15. Do not press the wireless activation button on the wireless unit too hard and/or press the button with an object with a sharp edge.
16. Always close the lid of the slot when operating.
17. Do not remove the wireless unit from the slot while the power is being supplied to the tool. Doing so may cause a malfunction of the wireless unit.
18. Do not remove the sticker on the wireless unit.
19. Do not put any sticker on the wireless unit.
20. Do not leave the wireless unit in a place where static electricity or electrical noise could be generated.
21. Do not leave the wireless unit in a place subject to high heat, such as a car sitting in the sun.
22. Do not leave the wireless unit in a dusty or powdery place or in a place corrosive gas could be generated.

23. Sudden change of the temperature may bedew the wireless unit. Do not use the wireless unit until the dew is completely dried.
24. When cleaning the wireless unit, gently wipe with a dry soft cloth. Do not use benzine, thinner, conductive grease or the like.
25. When storing the wireless unit, keep it in the supplied case or a static-free container.
26. Do not insert any devices other than Makita wireless unit into the slot on the tool.
27. Do not use the tool with the lid of the slot damaged. Water, dust, and dirt come into the slot may cause malfunction.
28. Do not pull and/or twist the lid of the slot more than necessary. Restore the lid if it comes off from the tool.
29. Replace the lid of the slot if it is lost or damaged.

## SAVE THESE INSTRUCTIONS.

## FUNCTIONAL DESCRIPTION

**CAUTION:** Always be sure that the tool is switched off and the battery cartridge is removed before adjusting or checking function on the tool.

## Installing or removing battery cartridge

**CAUTION:** Always switch off the tool before installing or removing of the battery cartridge.

**CAUTION:** Hold the tool and the battery cartridge firmly when installing or removing battery cartridge. Failure to hold the tool and the battery cartridge firmly may cause them to slip off your hands and result in damage to the tool and battery cartridge and a personal injury.

► Fig.7: 1. Red indicator 2. Button 3. Battery cartridge

To remove the battery cartridge, slide it from the tool while sliding the button on the front of the cartridge.

To install the battery cartridge, align the tongue on the battery cartridge with the groove in the housing and slip it into place. Insert it all the way until it locks in place with a little click. If you can see the red indicator on the upper side of the button, it is not locked completely.

**CAUTION:** Always install the battery cartridge fully until the red indicator cannot be seen. If not, it may accidentally fall out of the tool, causing injury to you or someone around you.

**CAUTION:** Do not install the battery cartridge forcibly. If the cartridge does not slide in easily, it is not being inserted correctly.

## Tool / battery protection system


The tool is equipped with a tool/battery protection system. This system automatically cuts off power to the motor to extend tool and battery life. The tool will automatically stop during operation if the tool or battery is placed under one of the following conditions.

### Overload protection

When the tool/battery is operated in a manner that causes it to draw an abnormally high current, the tool automatically stops. In this situation, turn the tool off and stop the application that caused the tool to become overloaded. Then turn the tool on to restart.

### Overheat protection

When the tool/battery is overheated, the tool stops automatically, and the battery indicator blink about 60 seconds. In this situation, let the tool cool down before turning the tool on again.


<input checked="" type="checkbox"/> On	<input checked="" type="checkbox"/> Blinking
	

### Overdischarge protection

When the battery capacity becomes low, the tool stops automatically. If the product does not operate even when the switches are operated, remove the batteries from the tool and charge the batteries.

### Releasing protection lock

When the protection system works repeatedly, the tool is locked and the battery indicator shows the following state.

<input checked="" type="checkbox"/> Blinking	<input type="checkbox"/> Off
	





In this situation, the tool does not start even if turning the tool off and on. To release the protection lock, remove the battery, set it to the battery charger and wait until the charging finishes.

## Indicating the remaining battery capacity

When you pull the switch trigger, the battery indicator shows the remaining battery capacity.

► **Fig.8:** 1. Battery indicator

The remaining battery capacity is shown as the following table.








Battery indicator status			Remaining battery capacity
<input checked="" type="checkbox"/> On	<input type="checkbox"/> Off	<input checked="" type="checkbox"/> Blinking	
			50% to 100%
			20% to 50%
			0% to 20%
			Charge the battery

## Indicating the remaining battery capacity

*Only for battery cartridges with the indicator*

► **Fig.9:** 1. Indicator lamps 2. Check button

Press the check button on the battery cartridge to indicate the remaining battery capacity. The indicator lamps light up for a few seconds.

Indicator lamps			Remaining capacity
<input checked="" type="checkbox"/> Lighted	<input type="checkbox"/> Off	<input checked="" type="checkbox"/> Blinking	
			75% to 100%
			50% to 75%
			25% to 50%
			0% to 25%
			Charge the battery.
			The battery may have malfunctioned.

**NOTE:** Depending on the conditions of use and the ambient temperature, the indication may differ slightly from the actual capacity.

**NOTE:** The first (far left) indicator lamp will blink when the battery protection system works.

## Switch action

**⚠ WARNING:** Before installing the battery cartridge into the tool, always check to see that the switch trigger actuates properly and returns to the “OFF” position when released.

**⚠ WARNING:** NEVER defeat the lock-off button by taping down or some other means. A switch with a negated lock-off button may result in unintentional operation and serious personal injury.

**⚠ WARNING:** NEVER use the tool if it runs when you simply pull the switch trigger without pressing the lock-off button. A switch in need of repair may result in unintentional operation and serious personal injury. Return tool to a Makita service center for proper repairs BEFORE further usage.

To prevent the switch trigger from being accidentally pulled, a lock-off button is provided. To start the tool, depress the lock-off button and pull the switch trigger. Release the switch trigger to stop.

► **Fig.10:** 1. Switch trigger 2. Lock-off button

**NOTICE:** Do not pull the switch trigger hard without pressing in the lock-off button. This can cause switch breakage.

**⚠ CAUTION:** The tool starts to brake the circular saw blade rotation immediately after you release the switch trigger. Hold the tool firmly to respond the reaction of the brake when releasing the switch trigger. Sudden reaction can drop the tool off your hand and can cause a personal injury.

## Automatic speed change function







This tool has “high speed mode” and “high torque mode”.

The tool automatically changes the operation mode depending on the work load. When the work load is low, the tool will run in the “high speed mode” for quicker cutting operation. When the work load is high, the tool will run in the “high torque mode” for powerful cutting operation.

► **Fig.11:** 1. Mode indicator

The mode indicator lights up in green when the tool is running in “high torque mode”.

If the tool is operated with excessive load, the mode indicator will blink in green. The mode indicator stops blinking and then lights up or turns off if you reduce the load on the tool.

Mode indicator status			Operation mode
 On	 Off	 Blinking	
			High speed mode
			High torque mode
			Overload alert

## Adjusting depth of cut

**⚠ CAUTION:** After adjusting the depth of cut, always tighten the lever securely.

Loosen the lever and move the base up or down to align the pointer with your desired depth on the depth guide. At the desired depth of cut, secure the base by tightening the lever.

For cleaner, safer cuts, set cut depth so that no more than one blade tooth projects below workpiece. Using proper cut depth helps to reduce potential for dangerous KICKBACKS which can cause personal injury.

► **Fig.12:** 1. Pointer 2. Lever

You can read the cut depth with the scale on the lower guard.

► **Fig.13:** 1. Lower guard 2. Bottom of the tool base 3. Scale

## Bevel cutting

**⚠ CAUTION:** After adjusting the bevel angle, always tighten the lever and clamping screw securely.

Loosen the lever and clamping screw. Set for the desired angle by tilting accordingly, then tighten the lever and clamping screw securely.

► **Fig.14:** 1. Lever 2. Clamping screw

Use the stopper when you do precise 45° angle cutting. Fully turn the stopper as illustrated depending on 0° - 45° bevel cut or 0° - 50° bevel cut.

► **Fig.15:** 1. Stopper

## Sighting

For straight cuts, align the 0° position on the front of the base with your cutting line. For 45° bevel cuts, align the 45° position with it.

► **Fig.16:** 1. Cutting line (0° position) 2. Cutting line (45° position)



## Lighting the lamp

**CAUTION:** Do not look in the light or see the source of light directly.

To turn on the lamp without running the tool, pull the switch trigger without pressing the lock-off button. To turn on the lamp with the tool running, press and hold the lock-off button and pull the switch trigger. The lamp goes out 10 seconds after releasing the switch trigger.

► Fig.17: 1. Lamp

**NOTE:** Use a dry cloth to wipe the dirt off the lens of the lamp. Be careful not to scratch the lens of lamp, or it may lower the illumination.

## Hook

### Optional accessory

**CAUTION:** Always remove the battery when hanging the tool with the hook.

**CAUTION:** Never hook the tool at high locations or on the surfaces where the tool may lose the balance and fall. Otherwise falling accident may occur and cause serious injury.

**CAUTION:** Do not pull the tool downward when it is hooked.

The hook is convenient for hanging the tool temporarily.

► Fig.18

Attach the hook with the screws as illustrated.

► Fig.19: 1. Hook 2. Screw

To use the hook, simply turn the hook until it snaps into the open position.

When not in use, always turn the hook until it snaps into the closed position.

► Fig.20: 1. Open position 2. Closed position

## Electronic function

The tools equipped with electronic function are easy to operate because of the following feature(s).

### Soft start feature

Soft start because of suppressed starting shock.

## ASSEMBLY

**CAUTION:** Always be sure that the tool is switched off and the battery cartridge is removed before carrying out any work on the tool.

## Hex wrench storage

When not in use, store the hex wrench as shown in the figure to keep it from being lost.

► Fig.21: 1. Hex wrench

## Removing or installing circular saw blade

**CAUTION:** Be sure the circular saw blade is installed with teeth pointing up at the front of the tool.

**CAUTION:** Use only the Makita wrench to install or remove the circular saw blade.

To remove the circular saw blade, press the shaft lock fully so that the circular saw blade cannot revolve and use the hex wrench to loosen the hex bolt. Then remove the hex bolt, outer flange, circular saw blade and ring (country specific).

► Fig.22: 1. Shaft lock 2. Hex wrench 3. Loosen 4. Tighten

### For tool without the ring

► Fig.23: 1. Hex bolt 2. Outer flange 3. Circular saw blade 4. Inner flange

### For tool with the ring

► Fig.24: 1. Hex bolt 2. Outer flange 3. Circular saw blade 4. Ring 5. Inner flange

To install the circular saw blade, follow the removal procedure in reverse.

## For tool with the inner flange for other than 15.88 mm hole-diameter saw blade

The inner flange has a certain diameter protrusion on one side of it and a different diameter protrusion on the other side. Choose a correct side on which protrusion fits into the saw blade hole perfectly. Mount the inner flange onto the mounting shaft so that the correct side of protrusion on the inner flange faces outward and then place saw blade and outer flange.

► Fig.25: 1. Mounting shaft 2. Inner flange 3. Circular saw blade 4. Outer flange 5. Hex bolt

**WARNING:** BE SURE TO TIGHTEN THE HEX BOLT CLOCKWISE SECURELY. Also be careful not to tighten the bolt forcibly. Slipping your hand from the hex wrench can cause a personal injury.

**WARNING:** Make sure that the protrusion "a" on the inner flange that is positioned outside fits into the saw blade hole "a" perfectly. Mounting the blade on the wrong side can result in the dangerous vibration.

## For tool with the inner flange for a 15.88 mm hole-diameter saw blade (country specific)

Mount the inner flange with its recessed side facing outward onto the mounting shaft and then place circular saw blade (with the ring attached if needed), outer flange and hex bolt.

### For tool without the ring

► Fig.26: 1. Mounting shaft 2. Inner flange 3. Circular saw blade 4. Outer flange 5. Hex bolt

### For tool with the ring

- **Fig.27:** 1. Mounting shaft 2. Inner flange 3. Circular saw blade 4. Outer flange 5. Hex bolt 6. Ring

**⚠WARNING:** BE SURE TO TIGHTEN THE HEX BOLT CLOCKWISE SECURELY. Also be careful not to tighten the bolt forcibly. Slipping your hand from the hex wrench can cause a personal injury.

**⚠WARNING:** If the ring is needed to mount the blade onto the spindle, always be sure that the correct ring for the blade's arbor hole you intend to use is installed between the inner and the outer flanges. Use of the incorrect arbor hole ring may result in the improper mounting of the blade causing blade movement and severe vibration resulting in possible loss of control during operation and in serious personal injury.

## Blade guard cleaning

When changing the circular saw blade, make sure to also clean the upper and lower blade guards of accumulated sawdust as discussed in the Maintenance section. Such efforts do not replace the need to check lower guard operation before each use.

## Connecting a vacuum cleaner

When you wish to perform clean cutting operation, connect a Makita vacuum cleaner to your tool. Connect a hose of the vacuum cleaner to the dust nozzle as shown in the figure.

- **Fig.28:** 1. Dust nozzle 2. Screw  
► **Fig.29:** 1. Hose 2. Vacuum cleaner

# OPERATION

**⚠CAUTION:** Wear dust mask when performing cutting operation.

**⚠CAUTION:** Be sure to move the tool forward in a straight line gently. Forcing or twisting the tool will result in overheating the motor and dangerous kickback, possibly causing severe injury.

**NOTE:** When the battery cartridge temperature is low, the tool may not work to its full capacity. At this time, for example, use the tool for a light-duty cut for a while until the battery cartridge warms up as high as room temperature. Then, the tool can work to its full capacity.

### ► Fig.30

Hold the tool firmly. The tool is provided with both a front grip and rear handle. Use both to best grasp the tool. If both hands are holding saw, they cannot be cut by the circular saw blade. Set the base on the workpiece to be cut without the circular saw blade making any contact. Then turn the tool on and wait until the circular saw blade attains full speed. Now simply move the tool forward over the workpiece surface, keeping it flat and advancing smoothly until the sawing is completed.

To get clean cuts, keep your sawing line straight and your speed of advance uniform. If the cut fails to properly follow your intended cut line, do not attempt to turn or force the tool back to the cut line. Doing so may bind the circular saw blade and lead to dangerous kickback and possible serious injury. Release switch, wait for circular saw blade to stop and then withdraw tool. Realign tool on new cut line, and start cut again. Attempt to avoid positioning which exposes operator to chips and wood dust being ejected from saw. Use eye protection to help avoid injury.

## Rip fence (Guide rule)

### Optional accessory

- **Fig.31:** 1. Rip fence (Guide rule) 2. Clamping screw

The handy rip fence allows you to do extra-accurate straight cuts. Simply slide the rip fence up snugly against the side of the workpiece and secure it in position with the clamping screw on the front of the base. It also makes repeated cuts of uniform width possible.

## Lanyard (tether strap) connection

**⚠Safety warnings specific for use at height**  
**Read all safety warnings and instructions.** Failure to follow the warnings and instructions may result in serious injury.

1. **Always keep the tool tethered when working "at height".** Maximum lanyard length is 2 m (6.5 ft). The maximum permissible fall height for lanyard (tether strap) must not exceed 2 m (6.5 ft).
2. **Use only with lanyards appropriate for this tool type and rated for at least 4.0 kg (8.8 lbs).**
3. **Do not anchor the tool lanyard to anything on your body or on movable components.** Anchor the tool lanyard to a rigid structure that can withstand the forces of a dropped tool.
4. **Make sure the lanyard is properly secured at each end prior to use.**
5. **Inspect the tool and lanyard before each use for damage and proper function (including fabric and stitching).** Do not use if damaged or not functioning properly.
6. **Do not wrap lanyards around or allow them to come in contact with sharp or rough edges.**
7. **Fasten the other end of the lanyard outside the working area so that a falling tool is held securely.**
8. **Attach the lanyard so that the tool will move away from the operator if it falls.** Dropped tools will swing on the lanyard, which could cause injury or loss of balance.
9. **Do not use near moving parts or running machinery.** Failure to do so may result in a crush or entanglement hazard.
10. **Do not carry the tool by the attachment device or the lanyard.**
11. **Only transfer the tool between your hands while you are properly balanced.**
12. **Do not attach lanyards to the tool in a way that keeps guards, switches or lock-offs from operating properly.**

13. Avoid getting tangled in the lanyard.
  14. Keep lanyard away from the cutting area of the tool.
  15. Use multi-action and screw gate type carabineers. Do not use single action spring clip carabineers.
  16. In the event the tool is dropped, it must be tagged and removed from service, and should be inspected by a Makita Factory or Authorized Service Center.
- Fig.32: 1. Hole for lanyard (tether strap)

2. Insert the wireless unit to the slot and then close the lid.

When inserting the wireless unit, align the projections with the recessed portions on the slot.

- Fig.35: 1. Wireless unit 2. Projection 3. Lid  
4. Recessed portion

When removing the wireless unit, open the lid slowly. The hooks on the back of the lid will lift the wireless unit as you pull up the lid.

- Fig.36: 1. Wireless unit 2. Hook 3. Lid

After removing the wireless unit, keep it in the supplied case or a static-free container.

## WIRELESS ACTIVATION FUNCTION

For DHS661 only

### What you can do with the wireless activation function

The wireless activation function enables clean and comfortable operation. By connecting a supported vacuum cleaner to the tool, you can run the vacuum cleaner automatically along with the switch operation of the tool.

► Fig.33

To use the wireless activation function, prepare following items:

- A wireless unit (optional accessory)
- A vacuum cleaner which supports the wireless activation function

The overview of the wireless activation function setting is as follows. Refer to each section for detail procedures.

1. Installing the wireless unit
2. Tool registration for the vacuum cleaner
3. Starting the wireless activation function

### Installing the wireless unit

Optional accessory

**CAUTION:** Place the tool on a flat and stable surface when installing the wireless unit.

**NOTICE:** Clean the dust and dirt on the tool before installing the wireless unit. Dust or dirt may cause malfunction if it comes into the slot of the wireless unit.

**NOTICE:** To prevent the malfunction caused by static, touch a static discharging material, such as a metal part of the tool, before picking up the wireless unit.

**NOTICE:** When installing the wireless unit, always be sure that the wireless unit is inserted in the correct direction and the lid is completely closed.

1. Open the lid on the tool as shown in the figure.
- Fig.34: 1. Lid

**NOTICE:** Always use the hooks on the back of the lid when removing the wireless unit. If the hooks do not catch the wireless unit, close the lid completely and open it slowly again.

### Tool registration for the vacuum cleaner

**NOTE:** A Makita vacuum cleaner supporting the wireless activation function is required for the tool registration.

**NOTE:** Finish installing the wireless unit to the tool before starting the tool registration.

**NOTE:** During the tool registration, do not pull the switch trigger or turn on the power switch on the vacuum cleaner.

**NOTE:** Refer to the instruction manual of the vacuum cleaner, too.

If you wish to activate the vacuum cleaner along with the switch operation of the tool, finish the tool registration beforehand.

1. Install the batteries to the vacuum cleaner and the tool.
2. Set the stand-by switch on the vacuum cleaner to "AUTO".

► Fig.37: 1. Stand-by switch

3. Press the wireless activation button on the vacuum cleaner for 3 seconds until the wireless activation lamp blinks in green. And then press the wireless activation button on the tool in the same way.

► Fig.38: 1. Wireless activation button 2. Wireless activation lamp

If the vacuum cleaner and the tool are linked successfully, the wireless activation lamps will light up in green for 2 seconds and start blinking in blue.

**NOTE:** The wireless activation lamps finish blinking in green after 20 seconds elapsed. Press the wireless activation button on the tool while the wireless activation lamp on the cleaner is blinking. If the wireless activation lamp does not blink in green, push the wireless activation button briefly and hold it down again.

**NOTE:** When performing two or more tool registrations for one vacuum cleaner, finish the tool registration one by one.

## Starting the wireless activation function

**NOTE:** Finish the tool registration for the vacuum cleaner prior to the wireless activation.

**NOTE:** Refer to the instruction manual of the vacuum cleaner, too.

After registering a tool to the vacuum cleaner, the vacuum cleaner will automatically runs along with the switch operation of the tool.

1. Install the wireless unit to the tool.
2. Connect the hose of the vacuum cleaner with the tool.

► **Fig.39**

3. Set the stand-by switch on the vacuum cleaner to "AUTO".

► **Fig.40:** 1. Stand-by switch

4. Push the wireless activation button on the tool briefly. The wireless activation lamp will blink in blue.

► **Fig.41:** 1. Wireless activation button 2. Wireless activation lamp

5. Pull the switch trigger of the tool. Check if the vacuum cleaner runs while the switch trigger is being pulled.

To stop the wireless activation of the vacuum cleaner, push the wireless activation button on the tool.

**NOTE:** The wireless activation lamp on the tool will stop blinking in blue when there is no operation for 2 hours. In this case, set the stand-by switch on the vacuum cleaner to "AUTO" and push the wireless activation button on the tool again.

**NOTE:** The vacuum cleaner starts/stops with a delay. There is a time lag when the vacuum cleaner detects a switch operation of the tool.










**NOTE:** The transmission distance of the wireless unit may vary depending on the location and surrounding circumstances.

**NOTE:** When two or more tools are registered to one vacuum cleaner, the vacuum cleaner may start running even if you do not pull the switch trigger because another user is using the wireless activation function.

## Description of the wireless activation lamp status

► **Fig.42:** 1. Wireless activation lamp

The wireless activation lamp shows the status of the wireless activation function. Refer to the table below for the meaning of the lamp status.

Status	Wireless activation lamp			Duration	Description
	Color	 On	 Blinking		
Standby	Blue			2 hours	The wireless activation of the vacuum cleaner is available. The lamp will automatically turn off when no operation is performed for 2 hours.
				When the tool is running.	The wireless activation of the vacuum cleaner is available and the tool is running.
Tool registration	Green			20 seconds	Ready for the tool registration. Waiting for the registration by the vacuum cleaner.
				2 seconds	The tool registration has been finished. The wireless activation lamp will start blinking in blue.
Cancelling tool registration	Red			20 seconds	Ready for the cancellation of the tool registration. Waiting for the cancellation by the vacuum cleaner.
				2 seconds	The cancellation of the tool registration has been finished. The wireless activation lamp will start blinking in blue.
Others	Red			3 seconds	The power is supplied to the wireless unit and the wireless activation function is starting up.
	Off	-		-	The wireless activation of the vacuum cleaner is stopped.

## Cancelling tool registration for the vacuum cleaner

Perform the following procedure when cancelling the tool registration for the vacuum cleaner.

1. Install the batteries to the vacuum cleaner and the tool.

2. Set the stand-by switch on the vacuum cleaner to "AUTO".

► **Fig.43:** 1. Stand-by switch

3. Press the wireless activation button on the vacuum cleaner for 6 seconds. The wireless activation lamp blinks in green and then become red. After that, press the wireless activation button on the tool in the same way.

► **Fig.44:** 1. Wireless activation button 2. Wireless activation lamp

If the cancellation is performed successfully, the wireless activation lamps will light up in red for 2 seconds and start blinking in blue.

**NOTE:** The wireless activation lamps finish blinking in red after 20 seconds elapsed. Press the wireless activation button on the tool while the wireless activation lamp on the cleaner is blinking. If the wireless activation lamp does not blink in red, push the wireless activation button briefly and hold it down again.

## Troubleshooting for wireless activation function

Before asking for repairs, conduct your own inspection first. If you find a problem that is not explained in the manual, do not attempt to dismantle the tool. Instead, ask Makita Authorized Service Centers, always using Makita replacement parts for repairs.

State of abnormality	Probable cause (malfunction)	Remedy
The wireless activation lamp does not light/blink.	The wireless unit is not installed into the tool. The wireless unit is improperly installed into the tool.	Install the wireless unit correctly.
	The terminal of the wireless unit and/or the slot is dirty.	Gently wipe off dust and dirt on the terminal of the wireless unit and clean the slot.
	The wireless activation button on the tool has not been pushed.	Push the wireless activation button on the tool briefly.
	The stand-by switch on the vacuum cleaner is not set to "AUTO".	Set the stand-by switch on the vacuum cleaner to "AUTO".
	No power supply	Supply the power to the tool and the vacuum cleaner.
Cannot finish tool registration / cancelling tool registration successfully.	The wireless unit is not installed into the tool. The wireless unit is improperly installed into the tool.	Install the wireless unit correctly.
	The terminal of the wireless unit and/or the slot is dirty.	Gently wipe off dust and dirt on the terminal of the wireless unit and clean the slot.
	The stand-by switch on the vacuum cleaner is not set to "AUTO".	Set the stand-by switch on the vacuum cleaner to "AUTO".
	No power supply	Supply the power to the tool and the vacuum cleaner.
	Incorrect operation	Push the wireless activation button briefly and perform the tool registration/cancellation procedures again.
	The tool and vacuum cleaner are away from each other (out of the transmission range).	Get the tool and vacuum cleaner closer to each other. The maximum transmission distance is approximately 10 m however it may vary according to the circumstances.
	Before finishing the tool registration/cancellation; - the switch trigger on the tool is pulled or; - the power button on the vacuum cleaner is turned on.	Push the wireless activation button briefly and perform the tool registration/cancellation procedures again.
	The tool registration procedures for the tool or vacuum cleaner have not finished.	Perform the tool registration procedures for both the tool and the vacuum cleaner at the same timing.
Radio disturbance by other appliances which generate high-intensity radio waves.	Keep the tool and vacuum cleaner away from the appliances such as Wi-Fi devices and microwave ovens.	

State of abnormality	Probable cause (malfunction)	Remedy
The vacuum cleaner does not run along with the switch operation of the tool.	The wireless unit is not installed into the tool. The wireless unit is improperly installed into the tool.	Install the wireless unit correctly.
	The terminal of the wireless unit and/or the slot is dirty.	Gently wipe off dust and dirt on the terminal of the wireless unit and clean the slot.
	The wireless activation button on the tool has not been pushed.	Push the wireless activation button briefly and make sure that the wireless activation lamp is blinking in blue.
	The stand-by switch on the vacuum cleaner is not set to "AUTO".	Set the stand-by switch on the vacuum cleaner to "AUTO".
	More than 10 tools are registered to the vacuum cleaner.	Perform the tool registration again. If more than 10 tools are registered to the vacuum cleaner, the tool registered earliest will be cancelled automatically.
	The vacuum cleaner erased all tool registrations.	Perform the tool registration again.
	No power supply	Supply the power to the tool and the vacuum cleaner.
	The tool and vacuum cleaner are away from each other (out of the transmission range).	Get the tool and vacuum cleaner closer each other. The maximum transmission distance is approximately 10 m however it may vary according to the circumstances.
	Radio disturbance by other appliances which generate high-intensity radio waves.	Keep the tool and vacuum cleaner away from the appliances such as Wi-Fi devices and microwave ovens.
The vacuum cleaner runs while the tool's switch trigger is not pulled.	Other users are using the wireless activation of the vacuum cleaner with their tools.	Turn off the wireless activation button of the other tools or cancel the tool registration of the other tools.

## MAINTENANCE

**⚠ CAUTION:** Always be sure that the tool is switched off and the battery cartridge is removed before attempting to perform inspection or maintenance.

**⚠ CAUTION:** Clean out the upper and lower guards to ensure there is no accumulated sawdust which may impede the operation of the lower guarding system. A dirty guarding system may limit the proper operation which could result in serious personal injury. The most effective way to accomplish this cleaning is with compressed air. **If the dust is being blown out of the guards, be sure the proper eye and breathing protection is used.**

**NOTICE:** Never use gasoline, benzine, thinner, alcohol or the like. Discoloration, deformation or cracks may result.

To maintain product SAFETY and RELIABILITY, repairs, any other maintenance or adjustment should be performed by Makita Authorized or Factory Service Centers, always using Makita replacement parts.

## Adjusting 0°-cut or 45°-cut accuracy

This adjustment has been made at the factory. But if it is off, you can adjust it as the following procedure.

- Loosen the lever and clamping screw on the front and rear of the tool so that the bevel angle can be changed. Set the stopper to 0° - 45° bevel angle position if you are going to adjust 45°-cut accuracy.  
▶ **Fig.45:** 1. Stopper
- Make the base perpendicular or 45° to the circular saw blade using a triangular rule by turning the adjusting screw with a hex wrench. You can also use a square rule to adjust 0° angle.  
▶ **Fig.46:** 1. Triangular rule  
▶ **Fig.47:** 1. Adjusting screw for 0° angle 2. Adjusting screw for 45° angle
- Tighten the lever and clamping screw and then make a test cut to check if desired angle is obtained.

## Adjusting the parallelism

This adjustment has been made at the factory. But if it is off, you can adjust it as the following procedure.

1. Set the tool to the maximum cutting depth.
2. Make sure all levers and screws are tightened. Slightly loosen the screw illustrated.  
► **Fig.48:** 1. Screw 2. Base
3. While opening the lower guard, move the rear of the base so that the distance A and B becomes equal.
4. Tighten the screws and make a test cut to check the parallelism.

## OPTIONAL ACCESSORIES

**⚠ CAUTION:** These accessories or attachments are recommended for use with your Makita tool specified in this manual. The use of any other accessories or attachments might present a risk of injury to persons. Only use accessory or attachment for its stated purpose.

If you need any assistance for more details regarding these accessories, ask your local Makita Service Center.

- Circular saw blade
- Rip fence (Guide rule)
- Hook
- Guide rail
- Bevel guide
- Clamp
- Sheet
- Rubber sheet
- Position sheet
- Guide rail adapter
- Rule bar
- Dust nozzle
- Hex wrench
- Wireless unit (for DHS661)
- Makita genuine battery and charger

**NOTE:** Some items in the list may be included in the tool package as standard accessories. They may differ from country to country.



## 规格

型号:	DHS660	DHS661
锯片直径	165 mm	
最大切割深度	0°时	57 mm
	45°斜切时	41 mm
	50°斜切时	37 mm
空载速度	5,000 r/min	
长度	270 mm	
额定电压	D.C. 18 V	
净重	2.9 - 3.2 kg	

- 生产者保留变更规格不另行通知之权利。
- 规格和电池组可能因销往国家之不同而异。
- 重量因附件（包括电池组）而异。根据EPTA-Procedure 01/2014，最重与最轻的组合见表格。

## 适用电池组和充电器

电池组	BL1815N / BL1820 / BL1820B / BL1830 / BL1830B / BL1840 / BL1840B / BL1850 / BL1850B / BL1860B
充电器	DC18RC / DC18RD / DC18RE / DC18SD / DC18SE / DC18SF / DC18SH

- 部分以上所列电池组和充电器是否适用视用户所在地区而异。

**警告：** 请仅使用以上所列电池组和充电器。使用其他类型的电池组或充电器可能会导致人身伤害和 / 或失火。

## 符号

以下显示本设备可能会使用的符号。在使用工具之前，请务必理解其含义。



阅读使用说明书。



仅限于欧盟国家  
请勿将电气设备或电池组与家庭普通废弃物一同丢弃！请务必遵守欧洲关于废弃电子电气设备、电池和蓄电池以及废弃电池和蓄电池的指令并根据法律法规执行。达到使用寿命的电气设备和电池组必须分类回收至符合环境保护规定的再循环机构。

## 用途

本工具用于木材中笔直的纵向和交叉切割以及以一定角度的斜切割（工具与工件紧密接触）。

# 安全警告

## 电动工具通用安全警告

**警告：** 阅读随电动工具提供的所有安全警告、说明、图示和规定。不遵照以下所列说明会导致电击、着火和 / 或严重伤害。

### 保存所有警告和说明书以备查阅。

警告中的术语“电动工具”是指市电驱动（有线）电动工具或电池驱动（无线）电动工具。

#### 工作场地的安全

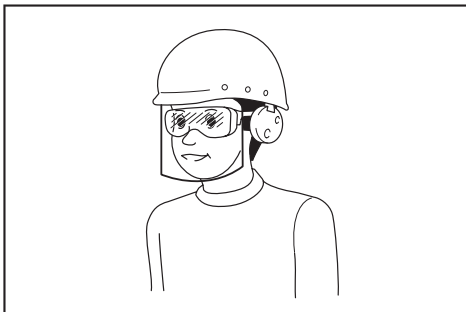
1. 保持工作场地清洁和明亮。杂乱和黑暗的场地会引发事故。
2. 不要在易爆环境，如有易燃液体、气体或粉尘的环境下操作电动工具。电动工具产生的火花会点燃粉尘或气体。
3. 操作电动工具时，远离儿童和旁观者。注意力不集中会使你失去对工具的控制。

#### 电气安全

1. 电动工具插头必须与插座相配。绝不能以任何方式改装插头。需接地的电动工具不能使用任何转换插头。未经改装的插头和相配的插座将降低电击风险。
2. 避免人体接触接地表面，如管道、散热器和冰箱。如果你身体接触接地表面会增加电击风险。
3. 不得将电动工具暴露在雨中或潮湿环境中。水进入电动工具将增加电击风险。
4. 不得滥用软线。绝不能用软线搬运、拉动电动工具或拔出其插头。使软线远离热源、油、锐边或运动部件。受损或缠绕的软线会增加电击风险。
5. 当在户外使用电动工具时，使用适合户外使用的延长线。适合户外使用的电线将降低电击风险。
6. 如果无法避免在潮湿环境中操作电动工具，应使用带有剩余电流装置（RCD）保护的电源。RCD的使用可降低电击风险。
7. 电动工具会产生对用户无害的电磁场（EMF）。但是，起搏器和其他类似医疗设备的用户应在操作本电动工具前咨询其设备的制造商和 / 或医生寻求建议。

#### 人身安全

1. 保持警觉，当操作电动工具时关注所从事的操作并保持清醒。当你感到疲倦，或在有药物、酒精或治疗反应时，不要操作电动工具。在操作电动工具时瞬间的疏忽会导致严重人身伤害。
2. 使用个人防护装置。始终佩戴护目镜。防护装置，诸如适当条件下使用防尘面具、防滑安全鞋、安全帽、听力防护等装置能减少人身伤害。
3. 防止意外起动。在连接电源和/或电池包、拿起或搬运工具前确保开关处于关闭位置。手指放在开关上搬运工具或开关处于接通时通电会导致危险。
4. 在电动工具接通之前，拿掉所有调节钥匙或扳手。遗留在电动工具旋转零件上的扳手或钥匙会导致人身伤害。
5. 手不要过分伸展。时刻注意立足点和身体平衡。这样能在意外情况下能更好地控制住电动工具。
6. 着装适当。不要穿宽松衣服或佩戴饰品。让你的头发和衣服远离运动部件。宽松衣服、佩饰或长发可能会卷入运动部件。
7. 如果提供了与排屑、集尘设备连接用的装置，要确保其连接完好且使用得当。使用集尘装置可降低尘屑引起的危险。
8. 不要因为频繁使用工具而产生的熟悉感而掉以轻心，忽视工具的安全准则。某个粗心的动作可能在瞬间导致严重的伤害。
9. 使用电动工具时请始终佩带护目镜以免伤害眼睛。护目镜须符合美国ANSI Z87.1、欧洲EN 166或者澳大利亚 / 新西兰的AS/NZS 1336的规定。在澳大利亚 / 新西兰，法律要求佩带面罩保护脸部。



雇主有责任监督工具操作者和其他近工作区域人员佩带合适的安全防护设备。

## 电动工具使用和注意事项

1. 不要勉强使用电动工具，根据用途使用合适的电动工具。选用合适的按照额定值设计的电动工具会使你工作更有效、更安全。
2. 如果开关不能接通或关断电源，则不能使用该电动工具。不能通过开关来控制电动工具是危险的且必须进行修理。
3. 在进行任何调节、更换附件或贮存电动工具之前，必须从电源上拔掉插头和/或卸下电池包（如可拆卸）。这种防护性的安全措施降低了电动工具意外起动的风险。
4. 将闲置不用的电动工具贮存在儿童所及范围之外，并且不允许不熟悉电动工具和不了解这些说明的人操作电动工具。电动工具在未经培训的使用者手中是危险的。
5. 维护电动工具及其附件。检查运动部件是否调整到位或卡住，检查零件破损情况和影响电动工具运行的其他状况。如有损坏，应在使用前修理好电动工具。许多事故是由维护不良的电动工具引发的。
6. 保持切削刀具锋利和清洁。维护良好地有锋利切削刃的刀具不易卡住而且容易控制。
7. 按照使用说明书，并考虑作业条件和要进行的作业来选择电动工具、附件和工具的刀头等。将电动工具用于那些与其用途不符的操作可能会导致危险情况。
8. 保持手柄和握持表面干燥、清洁，不得沾有油脂。在意外的情况下，湿滑的手柄不能保证握持的安全和对工具的控制。
9. 使用本工具时，请勿佩戴可能会缠绕的布质工作手套。布质工作手套卷入移动部件可能会造成人身伤害。

## 电池式工具使用和注意事项

1. 仅使用生产者规定的充电器充电。将适用于某种电池包的充电器用到其他电池包时可能会发生着火危险。
2. 仅使用配有专用电池包的电动工具。使用其他电池包可能会产生伤害和着火危险。
3. 当电池包不用时，将它远离其他金属物体，例如回形针、硬币、钥匙、钉子、螺钉或其他小金属物体，以防电池包一端与另一端连接。电池组端部短路可能会引起燃烧或着火。


4. 在滥用条件下，液体可能会从电池组中溅出；应避免接触。如果意外碰到液体，用水冲洗。如果液体碰到了眼睛，还应寻求医疗帮助。从电池中溅出的液体可能会发生腐蚀或燃烧。
5. 不要使用损坏或改装过的电池包或工具。损坏或改装过的电池组可能呈现无法预测的结果，导致着火、爆炸或伤害。
6. 不要将电池包暴露于火或高温中。电池包暴露于火或高于130℃的高温中可能导致爆炸。
7. 遵循所有充电说明。不要在说明书中指定的温度范围之外给电池包或电动工具充电。不正确或在指定的温度范围外充电可能会损坏电池和增加着火的风险。

## 维修

1. 让专业维修人员使用相同的备件维修电动工具。这将保证所维修的电动工具的安全。
2. 决不能维修损坏的电池包。电池包仅能由生产者或其授权的维修服务商进行维修。
3. 上润滑油及更换附件时请遵循本说明书指示。

## 充电式电圆锯使用安全警告

### 切割步骤

1.  **危险：**请使双手远离切割区域和锯片。请将另一只手放在辅助手柄或电机外壳上。如果双手握持电圆锯，就不会被锯片切割到。
  2. 请勿将手伸到工件下方。在工件的下方，保护罩无法保护您不碰到锯片。
  3. 根据工件的厚度调节切割深度。深度不得超过工件下方一个锯齿的位置。
  4. 切割时切勿将工件拿在手中或放在腿上。将工件固定在稳定的平台上。正确地支撑工件非常重要，可尽量减少身体暴露在切割区域的部分，也可最大限度地减少锯片卡滞或工具失控现象。
- 图片1
5. 当进行作业时切割工具可能会接触到隐藏的电线，请握住电动工具的绝缘抓握表面。接触到“带电”的电线时，工具上外露的金属部分也会“带电”，并使操作者触电。
  6. 进行切锯时，请始终使用切锯导板或直刃导板。这样可提高切割精度，并降低锯片卡滞的可能性。

7. 请始终使用具有正确轴孔尺寸和形状（钻石形和圆形）的锯片。与电圆锯的安装硬件不匹配的锯片会偏离中心运行，导致失控。
8. 切勿使用损坏的或不正确的锯片垫圈或螺栓。锯片垫圈和螺栓必须为电圆锯所专用，以保证工具的最佳性能和操作的安全性。

### 反弹原因和相关警告

- 反弹是锯片收缩、卡滞或方向偏离时突然产生的反作用力，会导致失控的电圆锯上升或脱离工件而朝向操作者；
- 当锯片被压缩或卡滞在锯痕上，锯片将停止动作，电机反作用力驱使工具快速地朝操作者反弹；
- 如果锯片被扭曲或切割时方向偏离，则锯片背面的齿缘可能进入木材上表面，导致锯片脱离锯痕或弹向操作者。

电圆锯误操作和 / 或不正确的操作步骤或操作条件将导致反弹，遵守以下所述的注意事项即可避免。

1. 使用电圆锯时请双手牢固持握把手，调整手臂位置以防止反弹力。身体可位于锯片的任意一侧，但不得与锯片成一直线。反弹会使电圆锯向后跳出，但如果遵守了正确的注意事项，操作者可控制反弹力。
2. 当锯片卡滞或因任何原因中断切割操作时，请释放扳机并将电圆锯保持在切割材料中不动，直至锯片完全停止。当锯片还在运动中时，切勿试图将电圆锯从工件中取出或将工具往后拉，否则可能会造成反弹。研究并采取正确的措施以避免锯片卡滞。
3. 当在工件中重新启动电圆锯时，将锯片置于锯痕的中央，使锯齿与切割材料咬合在一起。如果锯片卡滞，则当电圆锯重新启动时，锯片可能会沿卡滞处移动或从工件上反弹。
4. 请使用较大的支撑面板以最大限度地降低锯片收缩和反弹的可能。大面板会因自身的重量而下陷。必须在面板下面两侧靠近切割线和面板边缘的位置放置支撑件。

### ► 图片2

### ► 图片3

5. 请勿使用钝的或损坏的锯片。锯片未经打磨或放置不正确会使锯痕狭窄，导致摩擦过大、锯片卡滞或反弹。

6. 在进行切割操作之前，必须紧固锯片深度和斜角调节锁定杆。如果在切割时锯片调节杆移动，则可能导致锯片卡滞和反弹。
  7. 当在墙壁或其他盲区进行切割时请尤其小心。凸出的锯片可能会切割到容易引起反弹的物体。
  8. 请务必用双手握紧工具。切勿将手、腿或身体的其它部分放在工具基座的下方或电圆锯的后面，尤其是在进行横切时。如果发生反弹，电圆锯很容易向后跳到您的手上，从而导致严重的人身伤害。
- 图片4
9. 切勿对电圆锯施力过大。以一定的速度向前推进电圆锯，使锯片保持恒定的速度切割。对电圆锯施力过大会导致切割不均匀，降低切割精度，并可能导致反弹。

### 保护罩功能

1. 在每次使用之前请检查下部保护罩是否正确闭合。如果下部保护罩无法自由移动和快速闭合，则请勿使用圆锯。切勿将下部保护罩置于打开位置。如果圆锯意外跌落，下部保护罩可能会弯曲。使用缩回把手升起下部保护罩，并确保其能在各种角度和深度的切割操作中自由移动且不碰触到锯片或其他任何部件。
2. 检查下部保护罩弹簧的操作情况。如果保护罩和弹簧无法正常工作，则在使用前必须对其进行修理。如果有部件损坏、存在卡滞物或积聚有碎片，则下部保护罩可能会操作迟缓。
3. 仅当进行“切入式切割”和“复合切割”等特殊切割操作时，下部保护罩可手动收回。通过缩回把手升起下部保护罩，一旦锯片进入切割材料，必须释放下部保护罩。在进行所有其他切锯操作时，下部保护罩应自动操作。
4. 在将圆锯置于工作台或地板上之前，请始终查看下部保护罩是否覆盖住锯片。未受保护的滑动的锯片会导致电圆锯向后移动，切割到在其移动路径上的物体。请注意从释放开关扳机之后到锯片停止所需的时间。
5. 要检查下部保护罩时，请用手打开下部保护罩，然后松开并查看保护罩。请同样查看缩回把手，确保其不会碰触到工具外壳。将锯片暴露在外是非常危险的，会导致严重的人身伤害。

## 附加安全警告

1. 切割潮湿的木头、经过加压处理的木材或含有树节的树木时请特别小心。保持平滑推动工具而不降低锯片速度以避免锯齿过热。
2. 当锯片正在移动时，请勿试图移开切割材料。请等到锯片完全停止之后再抓取切割材料。电源关闭之后锯片还将移动一段距离。
3. 注意不要切割到铁钉。切割之前请检查木材上是否有钉子并将其清除。
4. 进行切割时，请将电圆锯底座较宽的部分置于工件被稳固支撑的部分，不要放在将被切割下来的部分上。如果工件很短或很小，请将其夹住。切勿试图手持短小的工件！

### ► 图片5

5. 在完成切割后放下工具之前，请确保下部保护罩已关闭，且锯片完全停止。
6. 切勿试图使用虎钳倒持电圆锯进行切割操作。这样做非常危险，会导致严重事故。

### ► 图片6

7. 某些材料含有有毒化学物质。小心不要吸入粉尘，并避免皮肤接触。遵循材料供应商的安全提示。
8. 请勿通过对锯片施加侧面的压力使锯片停止。
9. 请勿使用任何砂轮。
10. 仅使用工具上所标示或说明书中所规定直径的锯片。使用尺寸不正确的锯片可能会影响锯片的正确保护或保护罩的操作，从而导致严重的人身伤害。
11. 保持锯片锋利和清洁。卡滞在锯片上变硬的树脂和木沥青会使电圆锯的速度变慢，并增加反弹的可能性。因此，请先将锯片从工具上拆下，然后使用树脂和沥青清除剂、热水或煤油进行清洁。保持锯片清洁。切勿使用汽油。
12. 使用工具时请佩戴防尘面罩和保护耳罩。
13. 请务必使用当前所切割的材料适用的锯片。
14. 仅使用所标示的速度等于或大于工具上所标示的速度的锯片。
15. (仅用于欧洲国家)  
务必使用符合**EN847-1**标准的锯片。
16. 将工具和部件放在平稳的表面上。否则，工具或部件可能会跌落导致人身伤害。

## 请保留此说明书。

**▲警告：** 请勿为图方便或因对产品足够熟悉（由于重复使用而获得的经验）而不严格遵循相关产品安全规则。使用不当或不遵循使用说明书中的安全规则会导致严重的人身伤害。

## 电池组的重要安全注意事项

1. 在使用电池组之前，请仔细阅读所有的说明以及（1）电池充电器，（2）电池，以及（3）使用电池的产品上的警告标记。
2. 切勿拆卸或改装电池组。否则可能引起火灾、过热或爆炸。
3. 如果机器运行时间变得过短，请立即停止使用。否则可能会导致过热、起火甚至爆炸。
4. 如果电解液进入您的眼睛，用清水将其冲洗干净并立即就医。否则可能会导致视力受损。
5. 请勿使电池组短路：
  - (1) 请勿使任何导电材料碰触到端子。
  - (2) 避免将电池组与其他金属物品如钉子、硬币等放置在同一容器内。
  - (3) 请勿将电池组置于水中或使其淋雨。电池短路将产生大的电流，导致过热，并可能导致起火甚至击穿。
6. 请勿在温度可能达到或超过**50°C (122°F)**的场所存放以及使用工具和电池组。
7. 即使电池组已经严重损坏或完全磨损，也请勿焚烧电池组。电池组会在火中爆炸。
8. 请勿对电池组射钉，或者切割、挤压、抛掷、掉落电池组，又或者用硬物撞击电池组。否则可能引起火灾、过热或爆炸。
9. 请勿使用损坏的电池。
10. 本工具附带的锂离子电池需符合危险品法规要求。  
第三方或转运代理等进行商业运输时，应遵循包装和标识方面的特殊要求。有关运输项目的准备作业，咨询危险品方面的专业人士。同时，请遵守可能更为详尽的国家法规。  
请使用胶带保护且勿遮掩表面的联络信息，并牢固封装电池，使电池在包装内不可动。

11. 丢弃电池组时，需将其从工具上卸下并在安全地带进行处理。关于如何处理废弃的电池，请遵循当地法规。
  12. 仅将电池用于Makita（牧田）指定的产品。将电池安装至不兼容的产品会导致起火、过热、爆炸或电解液泄漏。
  13. 如长时间未使用工具，必须将电池从工具内取出。
  14. 使用工具期间以及使用工具之后，电池组温度可能较高易引起灼伤或低温烫伤。处理高温电池组时请小心操作。
  15. 在使用工具后请勿立即触碰工具的端子，否则可能引起灼伤。
  16. 避免锯屑、灰尘或泥土卡入电池组的端子、孔口和凹槽内。否则可能导致工具或电池组性能下降或故障。
  17. 除非工具支持在高压电源线路附近使用，否则请勿在高压电源线路附近使用电池组。否则可能导致工具或电池组故障或失常。
  18. 确保电池远离儿童。
4. 请勿将此无线装置暴露在雨水或潮湿的环境中。
  5. 请勿在温度超过50°C的环境下使用此无线装置。
  6. 请勿在医疗器械（例如心脏起搏器）附近运行此无线装置。
  7. 请勿在自动化设备附近运行此无线装置。否则，自动化设备可能会发生故障或出现错误。
  8. 不要在高温场所或可能产生静电或电气噪音的场所操作无线装置。
  9. 无线装置会产生对用户无害的电磁场（EMF）。
  10. 此无线装置属于精密仪器。请小心，勿掉落或撞击此无线装置。
  11. 避免徒手或用金属材料接触无线装置的端子。
  12. 在产品中安装无线装置时，务必取下产品上的电池。
  13. 请勿在那些可能会使灰尘和水进入插槽的地方打开插槽的封盖。插槽的插口务必保持干净清洁。
  14. 务必沿正确的方向插入无线装置。
  15. 请勿过度用力按压无线装置上的无线启动按钮，也不可使用边缘锋利的物体按压该按钮。
  16. 运行此无线装置时务必关闭插槽的封盖。
  17. 切勿在工具正在通电的情况下从插槽取下无线装置。否则可能会导致此无线装置发生故障。
  18. 切勿揭下此无线装置上的贴纸。
  19. 切勿在此无线装置上粘贴任何贴纸。
  20. 切勿将此无线装置留在可能会产生静电或电气噪音的地方。
  21. 切勿将此无线装置留在可能会产生高温的地方，例如阳光照射下的车内。
  22. 切勿将此无线装置留在灰尘或粉尘较重的地方，或可能会产生腐蚀性气体的地方。
  23. 温度的剧烈变化可能会使此无线装置产生凝露。露水未完全干燥前，请勿使用此无线装置。
  24. 清洁此无线装置时，请使用柔软的干抹布轻轻擦拭。切勿使用汽油、稀释剂或导电脂等类似物品。
  25. 存放此无线装置时，请将其放在随附的盒中或防静电的容器中。

## 请保留此说明书。

**⚠小心：** 请仅使用Makita（牧田）原装电池。使用非Makita（牧田）原装电池或经过改装的电池可能会导致电池爆炸，从而造成火灾、人身伤害或物品受损。同时也会导致牧田工具和充电器的牧田保修服务失效。

## 保持电池最大使用寿命的提示

1. 在电池组电量完全耗尽前及时充电。发现工具电量低时，请停止工具操作，并给电池组充电。
2. 请勿对已充满电的电池组重新充电。过度充电将缩短电池的使用寿命。
3. 请在10°C - 40°C (50°F - 104°F) 的室温条件下给电池组充电。请在灼热的电池组冷却后再充电。
4. 不使用电池组时，请将其从工具或充电器上拆除。
5. 如果电池组长时间（超过六个月）未使用，请给其充电。

## 无线装置的重要安全注意事项

1. 切勿拆卸或改装此无线装置。
2. 请远离儿童存放无线装置。如果意外吞食，请立即就医。
3. 此无线装置仅用于Makita（牧田）电动工具。

26. 请勿将非Makita（牧田）无线装置的任何其它设备插入工具的插槽中。
  27. 如果插槽的封盖受损，请勿使用该工具。否则水、灰尘和泥土进入插槽可能会导致故障。
  28. 如非必要，请勿拉动和/或扭动插槽的封盖。如果封盖从工具脱落，请将其还原。
  29. 如果插槽的封盖丢失或受损，请更换。
- 请保留此说明书。**

## 功能描述

**⚠小心：** 调节或检查工具功能之前，请务必关闭工具的电源并取出电池组。

## 安装或拆卸电池组

**⚠小心：** 安装或拆卸电池组之前，请务必关闭工具电源。

**⚠小心：** 安装或拆卸电池组时请握紧工具和电池组。否则它们可能从您的手中滑落，导致工具和电池组受损，甚至造成人身伤害。

► **图片7：** 1. 红色指示器 2. 按钮 3. 电池组

拆卸电池组时，按下电池组前侧的按钮，同时将电池组从工具中抽出。

安装电池组时，要将电池组上的舌簧与外罩上的凹槽对齐，然后推滑到位。将其完全插入到位，直到电池组被锁定并发出卡嗒声为止。如果插入后仍能看到按钮上侧的红色指示器，则说明电池组未完全锁紧。

**⚠小心：** 务必完全装入电池组，直至看不见红色指示器为止。否则，它可能会从工具中意外脱落，从而造成自身或他人受伤。

**⚠小心：** 请勿强行安装电池组。如果电池组难以插入，可能是插入方法不当。

## 工具 / 电池保护系统

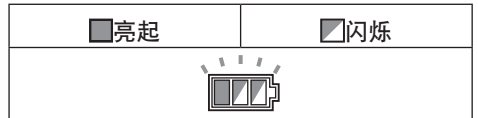
本工具配备有工具 / 电池保护系统。该系统可自动切断电机电源以延长工具和电池寿命。作业时，如果工具或电池处于以下情况，工具将会自动停止运转。部分情况下，指示灯会亮起。

### 过载保护

以导致异常高电流的方式操作工具/电池时，工具会自动停止运转。在这种情况下，请关闭工具并停止导致工具过载的应用操作。然后开启工具重新启动。

### 过热保护

工具/电池过热时，工具将自动停止运转且电池指示灯闪烁约60秒。在这种情况下，请等待工具冷却后再开启工具。

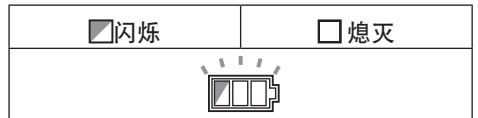


### 过放电保护

电池剩余电量变低时，本工具自动停止运转。如果即使在打开开关时本产品仍不运转，请从工具上拆下电池并给电池充电。

### 释放保护锁

当保护系统频繁工作时，工具将被锁定，电池指示灯显示以下状态。








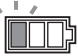
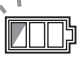
在这种情况下，即使关闭工具然后再打开也无法启动工具。要释放保护锁，请拆下电池，将其安装至电池充电器上并等待充电完成。

## 显示电池的剩余电量

当扣动开关扳机时，电池指示灯显示电池的剩余电量。

► **图片8：** 1. 电池指示灯

电池剩余电量的显示如下表所示。










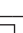
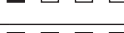

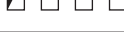


电池指示灯状态			剩余的 电池电量
 亮起	 熄灭	 闪烁	
			50%至 100%
			20%至 50%
			0%至 20%
			给电 池充电

## 显示电池的剩余电量

### 仅限带指示灯的电池组

- 图片9: 1. 指示灯  
2. CHECK (查看) 按钮

按电池组上的CHECK (查看) 按钮可显示电池剩余电量。指示灯将亮起数秒。

指示灯			剩余电量
 点亮	 熄灭	 闪烁	
			75%至 100%
			50%至 75%
			25%至 50%
			0%至 25%
			给电池 充电。
			电池可 能出现 故障。

注: 在不同的使用条件及环境温度下, 指示灯所示电量可能与实际情况略有不同。

注: 当电池保护系统启动时, 第一个 (最左侧) 指示灯将闪烁。

## 开关操作

**警告:** 在将电池组插入工具之前, 请务必检查开关扳机是否能扣动自如, 松开时能否退回至“OFF” (关闭) 位置。

**警告:** 切勿通过封住锁止按钮或其他方法来弃用锁止按钮。在弃用开关锁止按钮的情况下使用工具时可能会出现意外运行的情况并导致严重的人身伤害。

**警告:** 如果您只是扣动开关扳机而没有按下锁止按钮时, 工具即开始运行, 则切勿使用此工具。在开关需要维修的情况下使用工具时可能会出现意外运行的情况并导致严重的人身伤害。在进一步使用该工具之前, 请将其送回Makita (牧田) 维修中心进行正确的修理。

为避免使用者不小心扣动开关扳机, 本工具采用锁止按钮。要启动工具时, 按下锁止按钮, 然后扣动开关扳机即可。松开开关扳机工具即停止。

- 图片10: 1. 开关扳机 2. 锁止按钮

**注意:** 在没有按下锁止按钮的情况下请勿用力扣动开关扳机。这样可能导致开关破损。

**小心:** 释放开关扳机后, 工具即开始制动电圆锯锯片旋转。释放开关扳机时, 握紧工具以应对制动时的反作用力。突然的反作用力会导致工具从手中脱出并造成人身伤害。

## 自动变速功能

本工具设有“高速模式”和“高转矩模式”。







本工具可根据工作负荷自动改变操作模式。工作负荷较低时, 本工具以“高速模式”运转, 进行快速切割操作。工作负荷较高时, 本工具则以“高转矩模式”运转, 进行强力切割操作。

- 图片11: 1. 模式指示灯

当本工具以“高转矩模式”运转时, 模式指示灯呈绿色亮起。

工具过载操作时, 模式指示灯呈绿色闪烁。降低工具上的负载后, 模式指示灯停止闪烁, 然后亮起或熄灭。



模式指示灯状态			操作模式
 亮起	 熄灭	 闪烁	
			高速模式
			高转矩模式
			过载警告

## 调节切割深度

**⚠️小心：** 调节了切割深度之后，请务必紧固杆。

拧松杆并向上或向下移动基座以将指针对齐深度导轨上的所需的深度。在所需的切割深度处，拧紧杆以紧固基座。

为使切割更干净、更安全，设定切割深度时注意不得超过工件下方一个锯齿的位置。危险的反弹会导致人身伤害，使用正确的切割深度有助于降低反弹的可能。

▶ **图片12：** 1. 指针 2. 杆

您可以通过下部保护罩上的刻度读取切割深度。

▶ **图片13：** 1. 下部保护罩 2. 工具基座的底部 3. 刻度

## 斜切割

**⚠️小心：** 调节了斜切角度之后，请务必牢固拧紧杆和夹紧螺丝。

拧松杆和夹紧螺丝。通过相应地倾斜工具来设定所需的角度的，然后牢固拧紧杆和夹紧螺丝。

▶ **图片14：** 1. 杆 2. 夹紧螺丝

使用止动器进行45°精确切割。根据0° - 45°斜切角切割或0° - 50°斜切角切割，完全转动图中所示的止动器。

▶ **图片15：** 1. 止动器

## 对齐

进行直线切割时，将基座前端的0°位置与您的切割线对齐。进行45°斜切割时，请将45°位置与切割线对齐。

▶ **图片16：** 1. 切割线（0°位置） 2. 切割线（45°位置）

## 点亮照明灯

**⚠️小心：** 请勿直视灯光或光源。

要打开照明灯而不运转工具时，请在未按锁止按钮的情况下扣动开关扳机。

要打开照明灯并运转工具时，请按住锁止按钮并扣动开关扳机。

松开开关扳机10秒后，此灯会熄灭。

▶ **图片17：** 1. 照明灯

**注：** 请使用干布擦拭灯头灰。注意不要刮花灯头，否则会降低亮度。

## 挂钩

### 选购附件

**⚠️小心：** 使用挂钩悬挂工具时请务必拆下电池。

**⚠️小心：** 请勿将工具悬挂在高处或放在工具可能会失衡并坠落的平面上。否则可能会引发掉落事故从而造成严重的人身伤害。

**⚠️小心：** 用挂钩悬挂工具时，请勿向下拉工具。

挂钩便于临时悬挂工具。

▶ **图片18**

按图中所示用螺丝安装挂钩。

▶ **图片19：** 1. 挂钩 2. 螺丝

要使用挂钩时，只需转动挂钩使其咬在打开位置即可。

不使用时，务必转动挂钩使其咬在关闭位置。

▶ **图片20：** 1. 打开位置 2. 关闭位置

## 电子功能

本工具配备的电子功能易于操作，主要有下列特点。

### 软启动功能

抑制启动时的振动实现软启动。

## 装配

**⚠小心：** 对工具进行任何装配操作前，请务必关闭工具电源，并取出电池组。

### 六角扳手的存放

不使用时，请如图所示贮存六角扳手以防丢失。

► **图片21：** 1. 六角扳手

### 拆卸或安装电圆锯锯片

**⚠小心：** 安装电圆锯锯片时，请确保锯齿向上指向工具前部。

**⚠小心：** 请仅使用**Makita**（牧田）扳手来安装或拆卸电圆锯锯片。

要拆卸电圆锯锯片时，用力压入轴锁，以使电圆锯锯片无法转动，然后使用六角扳手拧松六角螺栓。然后拆下六角螺栓、外法兰盘、电圆锯锯片和挡圈（规格因国家而异）。

► **图片22：** 1. 轴锁 2. 六角扳手 3. 拧松 4. 拧紧

#### 对于不带挡圈的工具

► **图片23：** 1. 六角螺栓 2. 外法兰盘 3. 电动圆锯锯片 4. 内法兰盘

#### 对于带挡圈的工具

► **图片24：** 1. 六角螺栓 2. 外法兰盘 3. 电动圆锯锯片 4. 挡圈 5. 内法兰盘

要安装电动圆锯锯片时，可按与拆卸时相反的步骤进行。

### 对于带非15.88 mm孔直径锯片用内法兰盘的工具

内法兰盘的一侧带有一定直径的凸起部分，另一侧带有不同直径的凸起部分。选择正确的一侧，使该侧的凸起部分可以很好地与锯片孔相配合。将内法兰盘安装在安装轴上，使法兰盘正确的一侧朝外，然后放置锯片和外法兰盘。

► **图片25：** 1. 安装轴 2. 内法兰盘 3. 电动圆锯锯片 4. 外法兰盘 5. 六角螺栓

**⚠警告：** 务必顺时针拧紧六角螺栓。同时，小心勿强行拧紧螺栓。六角扳手从手中滑出可能会导致人身伤害。

**⚠警告：** 确保内法兰盘上向外凸出的凸起部分“a”与锯片孔“a”能够很好地配合。将锯片安装至错误的一侧会导致危险的振动。

### 对于带15.88 mm孔直径锯片用内法兰盘的工具（规格因国家而异）

将内法兰盘安装至安装轴上并使其凹槽侧朝外，然后放置锯片（需要时安装挡圈）、外法兰盘和六角螺栓。

#### 对于不带挡圈的工具

► **图片26：** 1. 安装轴 2. 内法兰盘 3. 电动圆锯锯片 4. 外法兰盘 5. 六角螺栓

#### 对于带挡圈的工具

► **图片27：** 1. 安装轴 2. 内法兰盘 3. 电动圆锯锯片 4. 外法兰盘 5. 六角螺栓 6. 挡圈

**⚠警告：** 务必顺时针拧紧六角螺栓。同时，小心勿强行拧紧螺栓。六角扳手从手中滑出可能会导致人身伤害。

**⚠警告：** 如果需要使用挡圈将锯片安装到主轴上，请确保适用于您想要使用的锯片轴孔的挡圈已被安装到内外法兰盘之间。使用错误的轴孔挡圈可能会导致锯片的安装不正确，运行期间锯片会移动和剧烈振动，工具可能因此失控并造成严重的人身伤害。

### 锯片保护罩清洁

当更换电圆锯锯片时，请根据保养部分所述，确保同时清洁上部和下部锯片保护罩上积聚的锯屑。但是，在每次使用工具之前仍需进行检查下部保护罩的操作。

### 连接吸尘器

当您想进行清洁切割操作时，请将**Makita**（牧田）吸尘器连接至您的工具。如图所示将吸尘器软管接到集尘口上。

► **图片28：** 1. 集尘口 2. 螺丝

► **图片29：** 1. 软管 2. 吸尘器

## 操作

**⚠️小心：** 执行切割操作时佩戴防尘面罩。

**⚠️小心：** 请确保慢慢地以直线向前移动工具。使用强力或扭曲工具会导致电机过热和危险的反弹，可能导致严重伤害。

**注：** 电池组温度较低时，工具可能无法全力工作。这种情况下，请使用工具先进行轻负荷切割，直至电池组的温度升为室温。然后，工具即可以全力工作。

### ► 图片30

请牢握本工具。本工具具有一个前把手和一个后把手。请同时使用这两个把手以最稳固地抓握工具。如果双手握持圆锯，就不会被电动圆锯锯片切割到。将工具基座放在要切割的工件上，电动圆锯锯片不得与工件有任何接触。然后启动工具并等待，直至电动圆锯锯片达到全速运转时再进行操作。现在，您只需在工件表面向前移动本工具，使其平稳地保持平坦前进，直至切锯操作完成即可。

为使切割顺畅，请保持切锯线路笔直，并且锯片前进的速度保持一致。如果切割未能正确地沿着您设定的切割线路进行，请勿试图扭转工具或强行使工具返回切割线。否则可能会使电动圆锯锯片卡滞在切割材料上，并导致危险的反弹，可能造成严重伤害。松开开关，等待电动圆锯锯片停止，然后将工具从切割材料中退出。在新的切割线路上将工具重新对齐，然后重新开始切割。操作者应尽量避免站在会暴露在圆锯切割时产生的碎片和木屑中的位置。使用安全眼镜有助于避免受伤。

## 切锯导板（导尺）

### 选购附件

► **图片31：** 1. 切锯导板（导尺） 2. 夹紧螺丝

随附的切锯导板有助于您进行超精确的直线切割。只需简单地沿着工件侧向上滑切锯导板，然后使用基座前部的螺丝将其紧固到位。也可利用切锯导板进行宽度一致的重复切割。

## 系索（系带）连接

**⚠️** 专用于高处使用的安全警告  
请通读所有的安全警告和说明事项。若不遵循警告和说明事项，则可能导致严重的人身伤害。

1. 在高空作业时，请务必系牢工具。最大系索长度为**2 m (6.5 ft)**。系索（系带）可允许的最大跌落高度不超过**2 m (6.5 ft)**。
2. 仅使用适合本工具类型的系索并可承受最低**4.0 kg (8.8 lbs)**的重量。
3. 请勿将工具系索固定在您的身体上或可移动的物体。将工具系索固定至可承受工具坠落力量的刚性结构上。
4. 使用前，确保系索两端已牢固固定。
5. 每次使用前，检查并确认系索无损坏且功能正常（包括纤维和绑结）。若受损或功能不良，请勿使用。
6. 请勿将系索揉成一团或使其接触锋利或粗糙的边缘。
7. 将系索的另一端固定到工作区域以外，以便可牢固固定跌落工具。
8. 绑结系索，使工具在跌落时远离操作人员的方向。跌落的工具会在系索上摆动，从而造成严重伤害或失去平衡。
9. 请勿在移动部件或运转机械附近使用。否则可能会造成挤压或缠结危害。
10. 请勿通过配件装置或系索携带工具。
11. 仅在您保持良好平衡时用手传递工具。
12. 将系索绑结到工具时，请勿妨碍保护装置、开关或锁止按钮的操作。
13. 避免缠结到系索中。
14. 使系索远离工具的切割区域。
15. 使用多功能和螺旋门式钩环。请勿使用单功用的弹簧夹钩环。
16. 工具坠落时，必须对其进行标记并停用，然后将其交由牧田工厂或授权的维修中心进行检查。

► **图片32：** 1. 系索（系带）用孔

# 无线启动功能

仅限DHS661

## 无线启动功能的作用

无线启动功能让操作更加干净舒适。将受支持的集尘器连接至工具，集尘器可随工具的开关操作自动运行。

### ► 图片33

要使用无线启动功能，请准备以下项目：

- 无线装置（选购附件）
- 支持无线启动功能的集尘器

无线启动功能设置的概况如下。详细步骤请参考各章节。

1. 安装无线装置
2. 集尘器的工具注册
3. 启动无线启动功能

## 安装无线装置

### 选购附件

**⚠️小心：**安装无线装置时，请将工具放置在平坦且稳固的表面上。

**注意：**安装无线装置前，请先清洁工具上的灰尘和泥土。如果灰尘和泥土进入无线装置的插槽，则可能会导致其发生故障。

**注意：**为避免静电导致故障发生，拿起无线装置前，请先触摸静电释放材料，例如工具的金属部分。

**注意：**安装无线装置时，务必确保沿正确方向插入无线装置，且将封盖完全关闭。

1. 如图所示打开工具的封盖。

### ► 图片34: 1. 封盖

2. 将无线装置插入插槽，然后关闭封盖。插入无线装置时，请将凸起部分对齐插槽上的凹陷部分。

### ► 图片35: 1. 无线装置 2. 突起部分 3. 封盖 4. 凹陷部分

拆下无线装置时，请缓慢打开封盖。封盖后面的挂钩在拉起封盖时会钩住无线装置。

### ► 图片36: 1. 无线装置 2. 挂钩 3. 封盖

取下无线装置后，请将其放在随附的盒中或防静电的容器中。

**注意：**取下无线装置时，务必使用封盖后面的挂钩。如果挂钩未钩住无线装置，请完全关闭封盖，然后再缓慢打开。

## 集尘器的工具注册

**注：**进行工具注册需要支持无线启动功能的Makita（牧田）集尘器。

**注：**开始工具注册前，请先将无线装置安装至工具。

**注：**工具注册期间，请勿扣动开关扳机，或打开集尘器上的电源开关。

**注：**请参阅集尘器的使用说明书。

如果您希望集尘器可随工具的开关操作而启动，请预先完成工具注册。

1. 安装集尘器和工具的电池。
2. 将集尘器上的待机开关拧至“**AUTO**”（自动）位置。

### ► 图片37: 1. 待机开关

3. 按住集尘器上的无线启动按钮3秒，直至无线启动指示灯呈绿色闪烁。然后以相同的方式按工具上的无线启动按钮。

### ► 图片38: 1. 无线启动按钮 2. 无线启动指示灯

如果集尘器和工具成功闪烁，无线启动指示灯将呈绿色亮起2秒，然后开始呈蓝色闪烁。

**注：**无线启动指示灯在20秒后结束绿色闪烁。当集尘器上的无线启动指示灯闪烁时，按下工具上的无线启动按钮。如果无线启动指示灯未呈绿色闪烁，短按一下无线启动按钮，然后再次按住该按钮。

**注：**对一个集尘器执行两个或以上工具注册时，请逐个完成工具注册。

## 启动无线启动功能

**注：**请在无线启动前完成集尘器的工具注册。

**注：**请参阅集尘器的使用说明书。

将工具注册至集尘器后，集尘器会随着工具的开关操作自动运行。

1. 将无线装置安装至工具。
2. 将集尘器的软管连接至工具。

### ► 图片39

3. 将集尘器上的待机开关拧至“**AUTO**”（自动）位置。

► **图片40: 1.** 待机开关

4. 短按一下工具上的无线启动按钮。无线启动指示灯将呈蓝色闪烁。

► **图片41: 1.** 无线启动按钮 **2.** 无线启动指示灯

5. 扣动工具的开关扳机。检查扣动开关扳机时集尘器是否运行。

要停用集尘器的无线启动功能，请按下工具上的无线启动按钮。

**注:** 闲置2小时无操作后，工具上的无线启动指示灯会停止蓝色闪烁。此时，请将集尘器上的待机开关拧至“**AUTO**”（自动）位置，并再次按下工具上的无线启动按钮。

**注:** 集尘器会延迟启动 / 停止。集尘器检测工具的开关操作会存在时滞。

**注:** 无线装置的传送距离视位置和周边环境不同而异。

**注:** 当一个集尘器被注册了两个或多个工具时，则即使您未扣动开关扳机，该集尘器也可能会因为其他用户正在使用无线启动功能而开始运行。

## 无线启动指示灯状态的说明

► **图片42: 1.** 无线启动指示灯

无线启动指示灯显示无线启动功能的状态。关于指示灯状态的意义请参阅下表。

状态	无线启动指示灯			持续时间	说明
	颜色	 亮起	 闪烁		
待机	蓝色			2小时	集尘器的无线启动可用。2小时无操作后指示灯会自动熄灭。
				工具正在运行时。	集尘器的无线启动可用且工具正在运行。
工具注册	绿色			20秒	准备好进行工具注册。等待集尘器的注册。
				2秒	完成工具注册。无线启动指示灯将开始呈蓝色闪烁。
取消工具注册	红色			20秒	准备好取消工具注册。等待集尘器取消工具注册。
				2秒	完成取消工具注册。无线启动指示灯将开始呈蓝色闪烁。
其它	红色			3秒	向无线装置供电，且无线启动功能启动。
	熄灭	-		-	集尘器的无线启动不可用。

## 取消集尘器的工具注册

取消集尘器的工具注册时，请执行以下步骤。

1. 安装集尘器和工具的电池。
2. 将集尘器上的待机开关拧至“**AUTO**”（自动）位置。

► **图片43:** 1. 待机开关

3. 按住集尘器上的无线启动按钮**6**秒。无线启动指示灯呈绿色闪烁，然后转为红色。然后以相同的方式按工具上的无线启动按钮。

► **图片44:** 1. 无线启动按钮 2. 无线启动指示灯

如果成功执行取消工具注册，无线启动指示灯将呈红色亮起**2**秒，然后开始呈蓝色闪烁。

**注：**无线启动指示灯在**20**秒后结束红色闪烁。当集尘器上的无线启动指示灯闪烁时，按下工具上的无线启动按钮。如果无线启动指示灯未呈红色闪烁，短按一下无线启动按钮，然后再次按住该按钮。

## 无线启动功能的故障排除

请求维修前，请首先自行检查。如果您发现本手册中未作说明的问题，请勿拆解工具。而请联络Makita（牧田）授权维修服务中心，务必使用Makita（牧田）的替换部件进行修复。

异常状态	可能原因（故障）	纠正措施
无线启动指示灯未亮起 / 闪烁。	无线装置未安装至工具。 无线装置未正确安装至工具。	正确安装无线装置。
	无线装置的端子和 / 或插槽脏污。	轻轻擦掉无线装置上的灰尘并清洁插槽。
	未按工具上的无线启动按钮。	短按一下工具上的无线启动按钮。
	集尘器上的待机开关未拧至“ <b>AUTO</b> ”（自动）位置。	将集尘器上的待机开关拧至“ <b>AUTO</b> ”（自动）位置。
	未通电	接通工具和集尘器电源。
未成功完成工具注册 / 取消工具注册操作。	无线装置未安装至工具。 无线装置未正确安装至工具。	正确安装无线装置。
	无线装置的端子和 / 或插槽脏污。	轻轻擦掉无线装置上的灰尘并清洁插槽。
	集尘器上的待机开关未拧至“ <b>AUTO</b> ”（自动）位置。	将集尘器上的待机开关拧至“ <b>AUTO</b> ”（自动）位置。
	未通电	接通工具和集尘器电源。
	错误操作	短按一下无线启动按钮，并再次执行工具注册 / 取消工具注册操作步骤。
	工具和集尘器相隔较远（超出传送范围）。	缩短工具和集尘器之间的距离。它们之间的最大距离为约10 m，该距离视实际环境不同而异。
	完成工具注册 / 取消工具注册之前： -扣动了工具上的开关扳机； -打开了集尘器上的按钮。	短按一下无线启动按钮，并再次执行工具注册 / 取消工具注册操作步骤。
	工具或集尘器的工具注册步骤未完成。	同时对工具和集尘器执行工具注册步骤。
其它设备的无线电干扰会产生高强度的无线电波。	使工具和集尘器远离Wi-Fi设备和微波炉等电器。	

异常状态	可能原因（故障）	纠正措施
集尘器未随着工具的开关操作而运行。	无线装置未安装至工具。 无线装置未正确安装至工具。	正确安装无线装置。
	无线装置的端子和 / 或插槽脏污。	轻轻擦掉无线装置上的灰尘并清洁插槽。
	未按工具上的无线启动按钮。	短按一下无线启动按钮，确保无线启动指示灯呈蓝色闪烁。
	集尘器上的待机开关未拧至“ <b>AUTO</b> ”（自动）位置。	将集尘器上的待机开关拧至“ <b>AUTO</b> ”（自动）位置。
	集尘器可注册超过10个工具。	请再次执行工具注册。 如果集尘器注册的工具有超过10个，则最先注册的工具有被自动删除。
	集尘器删除了所有工具注册。	再次执行工具注册。
	未通电	接通工具和集尘器电源。
	工具和集尘器相隔较远（超出传送范围）。	缩短工具和集尘器之间的距离。它们之间的最大距离为约10 m，该距离视实际环境不同而异。
	其它设备的无线电干扰会产生高强度的无线电波。	使工具和集尘器远离Wi-Fi设备和微波炉等电器。
未扣动开关扳机但集尘器运行。	其他用户正在他们的工具上使用该集尘器的无线启动功能。 关闭其它工具的无线启动功能或取消其它工具的工具注册。	

## 保养

**小心：** 检查或保养工具之前，请务必关闭工具电源并取出电池组。

**小心：** 清洁上部和下部保护罩，确保清除积聚的可能妨碍下部保护罩系统操作的锯屑。较脏的保护罩系统可能会限制其操作，导致严重的人身伤害。完成清洁的最有效方法是使用压缩空气。如果将锯屑吹出保护罩，请确保佩戴适当的安全眼镜和呼吸保护装置。

**注意：** 切勿使用汽油、苯、稀释剂、酒精或类似物品清洁工具。否则可能会导致工具变色、变形或出现裂缝。

为了保证产品的安全与可靠性，维修、任何其他维修保养或调节需由Makita（牧田）授权的或工厂维修服务中心完成。务必使用Makita（牧田）的替换部件。

## 调节0°切割或45°切割的精度

工具在出厂前已进行过该调节。但是如果未进行此项调节，您可以按照以下步骤进行调节。

1. 拧松工具前部和后部的杆和夹紧螺丝，使您可以调节斜切角度。如果您要调节45°切割的精度，请将止动器设至0° - 45°斜切角位置。

► **图片45：1.** 止动器

2. 使用三角尺并通过用六角扳手旋拧调节螺丝，使基座与电圆锯锯片垂直或呈45°。您也可以使用直尺调整0°角。

► **图片46：1.** 三角规

► **图片47：1.** 0°角调节螺丝 **2.** 45°角调节螺丝

3. 拧紧杆和夹紧螺丝，然后试切割以检查是否可获得所需的角。



## 调节平行度

工具在出厂前已进行过该调节。但是如果未进行此项调节，您可以按照以下步骤进行调节。

1. 将工具设至最大切割深度。
2. 确保所有的杆和螺丝均被拧紧。略微拧松如图所示的螺丝。  
▶ **图片48: 1. 螺丝 2. 基座**
3. 在打开下部保护罩期间，移动基座后部使距离A和B相等。
4. 拧紧螺丝并进行试切割以检查平行度。

## 选购附件

**⚠小心：** 这些附件或装置专用于本说明书所列的**Makita（牧田）**工具。如使用其他厂牌附件或装置，可能导致人身伤害。仅可将附件或装置用于规定目的。

如您需要了解更多关于这些选购附件的信息，请咨询当地的**Makita（牧田）**维修服务中心。

- 电圆锯锯片
- 切锯导板（导尺）
- 挂钩
- 导轨
- 斜导板
- 带扣
- 薄板
- 橡胶板
- 定位板
- 导轨适配器
- 刻度杆
- 集尘口
- 六角扳手
- 无线装置（用于DHS661）
- **Makita（牧田）**原装电池和充电器

**注：** 本列表中的一些部件可能作为标准配件包含于工具包装内。它们可能因销往国家之不同而异。

## SPEKIFIKASI

Model:	DHS660	DHS661
Diameter mata pisau	165 mm	
Kedalaman Pemotongan maks.	pada 0°	57 mm
	pada sudut siku-siku 45°	41 mm
	pada sudut siku-siku 50°	37 mm
Kecepatan tanpa beban	5.000 min <sup>-1</sup>	
Panjang keseluruhan	270 mm	
Tegangan terukur	D.C. 18 V	
Berat bersih	2,9 - 3,2 kg	

- Karena kesinambungan program penelitian dan pengembangan kami, spesifikasi yang disebutkan di sini dapat berubah tanpa pemberitahuan.
- Spesifikasi dan kartrid baterai dapat berbeda dari satu negara ke negara lainnya.
- Berat alat mungkin berbeda tergantung perangkat tambahan yang dipasang, termasuk kartrid baterai. Kombinasi alat terberat dan teringan, sesuai Prosedur EPTA 01/2014, ditunjukkan pada tabel.

## Kartrid dan pengisi daya baterai yang dapat digunakan

Kartrid baterai	BL1815N / BL1820 / BL1820B / BL1830 / BL1830B / BL1840 / BL1840B / BL1850 / BL1850B / BL1860B
Pengisi daya	DC18RC / DC18RD / DC18RE / DC18SD / DC18SE / DC18SF / DC18SH

- Beberapa kartrid baterai dan pengisi daya yang tercantum di atas mungkin tidak tersedia, tergantung wilayah tempat tinggal Anda.

**⚠️ PERINGATAN:** Hanya gunakan kartrid dan pengisi daya baterai yang tercantum di atas. Penggunaan kartrid dan pengisi daya baterai lain dapat menimbulkan risiko cedera dan/atau kebakaran.

## Simbol

Berikut ini adalah simbol-simbol yang dapat digunakan pada peralatan ini. Pastikan Anda memahami arti masing-masing simbol sebelum menggunakan peralatan.



Baca petunjuk penggunaan.



Ni-MH  
Li-ion

Hanya untuk negara-negara UE  
Jangan membuang peralatan listrik atau paket baterai bersama-sama dengan bahan limbah rumah tangga!  
Dengan memerhatikan Petunjuk Eropa, tentang Limbah Peralatan Listrik dan Elektronik serta Baterai dan Akumulator serta Limbah Baterai dan Akumulator dan pelaksanaannya sesuai dengan ketentuan hukum nasional, peralatan listrik dan baterai dan paket baterai yang telah habis umur pakainya harus dikumpulkan secara terpisah dan dikembalikan ke fasilitas daur ulang yang kompatibel secara lingkungan.

## Penggunaan

Mesin ini digunakan untuk pemotongan memanjang dan melintang yang lurus serta pemotongan miter dengan sudut pada kayu sambil menjaga kontak yang kuat dengan benda kerja.

## PERINGATAN KESELAMATAN

### Peringatan keselamatan umum mesin listrik

**⚠️ PERINGATAN:** Bacalah semua peringatan keselamatan, petunjuk, ilustrasi dan spesifikasi yang disertakan bersama mesin listrik ini. Kelalaian untuk mematuhi semua petunjuk yang tercantum di bawah ini dapat menyebabkan sengatan listrik, kebakaran dan/atau cedera serius.

# Simpanlah semua peringatan dan petunjuk untuk acuan di masa depan.

Istilah "mesin listrik" dalam semua peringatan mengacu pada mesin listrik yang dijalankan dengan sumber listrik jala-jala (berkabel) atau baterai (tanpa kabel).

## Keselamatan tempat kerja

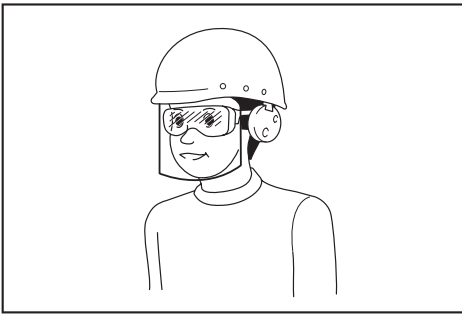
1. **Jaga tempat kerja selalu bersih dan berpenerangan cukup.** Tempat kerja yang berantakan dan gelap mengundang kecelakaan.
2. **Jangan gunakan mesin listrik dalam lingkungan yang mudah meledak, misalnya jika ada cairan, gas, atau debu yang mudah menyala.** Mesin listrik menimbulkan bunga api yang dapat menyalakan debu atau uap tersebut.
3. **Jauhkan anak-anak dan orang lain saat menggunakan mesin listrik.** Bila perhatian terpecah, anda dapat kehilangan kendali.

## Keamanan Kelistrikan

1. **Steker mesin listrik harus cocok dengan stopkontak. Jangan sekali-kali mengubah steker dengan cara apa pun. Jangan menggunakan steker adaptor dengan mesin listrik terbumi (dibumikan).** Steker yang tidak diubah dan stopkontak yang cocok akan mengurangi risiko sengatan listrik.
2. **Hindari sentuhan tubuh dengan permukaan terbumi atau yang dibumikan seperti pipa, radiator, kompor, dan kulkas.** Risiko sengatan listrik bertambah jika tubuh Anda terbumikan atau dibumikan.
3. **Jangan membiarkan mesin listrik kehujuan atau kebasahan.** Air yang masuk ke dalam mesin listrik akan meningkatkan risiko sengatan listrik.
4. **Jangan menyalahgunakan kabel. Jangan sekali-kali menggunakan kabel untuk membawa, menarik, atau mencabut mesin listrik dari stopkontak. Jauhkan kabel dari panas, minyak, tepian tajam, atau bagian yang bergerak.** Kabel yang rusak atau kusut memperbesar risiko sengatan listrik.
5. **Bila menggunakan mesin listrik di luar ruangan, gunakan kabel ekstensi yang sesuai untuk penggunaan di luar ruangan.** Penggunaan kabel yang sesuai untuk penggunaan luar ruangan mengurangi risiko sengatan listrik.
6. **Jika mengoperasikan mesin listrik di lokasi lembap tidak terhindarkan, gunakan pasokan daya yang dilindungi peranti imbasan arus (residual current device - RCD).** Penggunaan RCD mengurangi risiko sengatan listrik.
7. **Mesin listrik dapat menghasilkan medan magnet (EMF) yang tidak berbahaya bagi pengguna.** Namun, pengguna alat pacu jantung atau peralatan medis sejenisnya harus berkonsultasi dengan produsen peralatan tersebut dan/atau dokter mereka sebelum mengoperasikan mesin listrik ini.

## Keselamatan Diri

1. **Jaga kewaspadaan, perhatikan pekerjaan Anda dan gunakan akal sehat bila menggunakan mesin listrik. Jangan menggunakan mesin listrik saat Anda lelah atau di bawah pengaruh obat bius, alkohol, atau obat.** Sekejap saja lalai saat menggunakan mesin listrik dapat menyebabkan cedera badan serius.
2. **Gunakan alat pelindung diri. Selalu gunakan pelindung mata.** Peralatan pelindung seperti masker debu, sepatu pengaman anti-selip, helm pengaman, atau pelindung telinga yang digunakan untuk kondisi yang sesuai akan mengurangi risiko cedera badan.
3. **Cegah penyalaaan yang tidak disengaja. Pastikan bahwa sakelar berada dalam posisi mati (off) sebelum menghubungkan mesin ke sumber daya dan/atau paket baterai, atau mengangkat atau membawanya.** Membawa mesin listrik dengan jari Anda pada sakelarnya atau mengalirkan listrik pada mesin listrik yang sakelarnya hidup (on) akan mengundang kecelakaan.
4. **Lepaskan kunci-kunci penyetel sebelum menghidupkan mesin listrik.** Kunci-kunci yang masih terpasang pada bagian mesin listrik yang berputar dapat menyebabkan cedera.
5. **Jangan meraih terlalu jauh. Jagalah pijakan dan keseimbangan sepanjang waktu.** Hal ini memungkinkan kendali yang lebih baik atas mesin listrik dalam situasi yang tidak diharapkan.
6. **Kenakan pakaian yang memadai. Jangan memakai pakaian yang longgar atau perhiasan. Jaga jarak antara rambut dan pakaian Anda dengan komponen mesin yang bergerak.** Pakaian yang longgar, perhiasan, atau rambut yang panjang dapat tersangkut pada komponen yang bergerak.
7. **Jika tersedia fasilitas untuk menghisap dan mengumpulkan debu, pastikan fasilitas tersebut terhubung listrik dan digunakan dengan baik.** Penggunaan pembersih debu dapat mengurangi bahaya yang terkait dengan debu.
8. **Jangan sampai Anda lengah dan mengabaikan prinsip keselamatan mesin ini hanya karena sudah sering mengoperasikannya dan sudah merasa terbiasa.** Tindakan yang lalai dapat menyebabkan cedera berat dalam sepersekian detik saja.
9. **Selalu kenakan kacamata pelindung untuk melindungi mata dari cedera saat menggunakan mesin listrik. Kacamata harus sesuai dengan ANSI Z87.1 di Amerika Serikat, EN 166 di Eropa, atau AS/NZS 1336 di Australia/Selandia Baru. Di Australia/Selandia Baru, secara hukum Anda juga diwajibkan mengenakan pelindung wajah untuk melindungi wajah Anda.**



**Menjadi tanggung jawab atasan untuk menerapkan penggunaan alat pelindung keselamatan yang tepat bagi operator mesin dan orang lain yang berada di area kerja saat itu.**

#### **Penggunaan dan pemeliharaan mesin listrik**

1. **Jangan memaksa mesin listrik. Gunakan mesin listrik yang tepat untuk keperluan Anda.** Mesin listrik yang tepat akan menuntaskan pekerjaan dengan lebih baik dan aman pada kecepatan sesuai rancangannya.
2. **Jangan gunakan mesin listrik jika sakelar tidak dapat menyalakan dan mematikannya.** Mesin listrik yang tidak dapat dikendalikan dengan sakelarnya adalah berbahaya dan harus diperbaiki.
3. **Cabut steker dari sumber listrik dan/atau lepas paket baterai, jika dapat dilepas, dari mesin listrik sebelum melakukan penyetelan apa pun, mengganti aksesoris, atau menyimpan mesin listrik.** Langkah keselamatan preventif tersebut mengurangi risiko hidupnya mesin secara tak sengaja.
4. **Simpan mesin listrik jauh dari jangkauan anak-anak dan jangan biarkan orang yang tidak paham mengenai mesin listrik tersebut atau petunjuk ini menggunakan mesin listrik.** Mesin listrik sangat berbahaya di tangan pengguna yang tak terlatih.
5. **Rawatlah mesin listrik dan aksesoris. Periksa apakah ada komponen bergerak yang tidak lurus atau macet, komponen yang pecah, dan kondisi-kondisi lain yang dapat memengaruhi pengoperasian mesin listrik. Jika rusak, perbaiki mesin listrik terlebih dahulu sebelum digunakan.** Banyak kecelakaan disebabkan oleh kurangnya pemeliharaan mesin listrik.
6. **Jaga agar mesin pemotong tetap tajam dan bersih.** Mesin pemotong yang terawat baik dengan mata pemotong yang tajam tidak mudah macet dan lebih mudah dikendalikan.
7. **Gunakan mesin listrik, aksesoris, dan mata mesin, dll. sesuai dengan petunjuk ini, dengan memperhitungkan kondisi kerja dan jenis pekerjaan yang dilakukan.** Penggunaan mesin listrik untuk penggunaan yang lain dari peruntukan dapat menimbulkan situasi berbahaya.

8. **Jagalah agar gagang dan permukaan pegangan tetap kering, bersih, dan bebas dari minyak dan pelumas.** Gagang dan permukaan pegangan yang licin tidak mendukung keamanan penanganan dan pengendalian mesin dalam situasi-situasi tak terduga.
9. **Ketika menggunakan mesin, jangan menggunakan sarung tangan kain yang dapat tersangkut.** Sarung tangan kain yang tersangkut pada komponen bergerak dapat mengakibatkan cedera pada pengguna.

#### **Penggunaan dan pemeliharaan mesin bertenaga baterai**

1. **Isi ulang baterai hanya dengan pengisi daya yang ditentukan oleh pabrikan.** Pengisi daya yang cocok untuk satu jenis paket baterai dapat menimbulkan risiko kebakaran ketika digunakan untuk paket baterai yang lain.
2. **Gunakan mesin listrik hanya dengan paket baterai yang telah ditentukan secara khusus.** Penggunaan paket baterai lain dapat menimbulkan risiko cedera dan kebakaran.
3. **Ketika paket baterai tidak digunakan, jauhkan dari benda logam lain, seperti penjepit kertas, uang logam, kunci, paku, sekrup atau benda logam kecil lainnya, yang dapat menghubungkan satu terminal ke terminal lain.** Hubungan singkat terminal baterai dapat menyebabkan luka bakar atau kebakaran.
4. **Pemakaian yang salah, dapat menyebabkan keluarnya cairan dari baterai; hindari kontak. Jika terjadi kontak secara tidak sengaja, bilas dengan air. Jika cairan mengenai mata, cari bantuan medis.** Cairan yang keluar dari baterai bisa menyebabkan iritasi atau luka bakar.
5. **Jangan menggunakan paket baterai atau mesin yang sudah rusak atau telah diubah.** Baterai yang rusak atau telah diubah dapat menyebabkan hal-hal yang tidak dapat diprediksi yang dapat menyebabkan kebakaran, ledakan atau risiko cedera.
6. **Jangan membiarkan paket baterai atau mesin dekat dengan api atau suhu yang berlebihan.** Paparan api atau suhu di atas 130 °C dapat menyebabkan ledakan.
7. **Ikuti semua petunjuk pengisian daya dan jangan mengisi daya paket baterai atau mesin di luar rentang suhu yang ditentukan di panduan.** Mengisi daya secara tidak tepat atau pada suhu di luar rentang yang ditentukan dapat merusak baterai dan meningkatkan risiko kebakaran.

#### **Servis**

1. **Berikan mesin listrik untuk diperbaiki hanya kepada orang teknisi yang berkualifikasi dengan menggunakan hanya suku cadang pengganti yang serupa.** Hal ini akan menjamin terjaminnya keamanan mesin listrik.
2. **Jangan pernah memperbaiki paket baterai yang sudah rusak.** Perbaikan paket baterai harus dilakukan hanya oleh produsen atau penyedia servis resmi.
3. **Patuhi petunjuk pelumasan dan penggantian aksesoris.**

## Peringatan keselamatan gergaji bundar nirkabel

### Prosedur pemotongan

1. **BAHAYA:** Jauhkan tangan dari area pemotongan dan mata pisau. Jaga tangan kedua Anda pada pegangan tambahan, atau tempat motor mesin berada. Kedua tangan tidak akan terpotong mata pisau jika keduanya memegang gergaji.
  2. **Jangan meraih bagian bawah benda kerja.** Pelindung tidak dapat melindungi Anda dari mata pisau yang ada di bawah benda kerja.
  3. **Setel kedalaman pemotongan terhadap ketebalan benda kerja.** Sebagian gigi mata pisau harus terlihat di bawah benda kerja.
  4. **Jangan pernah memegang benda kerja dengan meletakkannya dalam genggaman tangan atau jepitan kaki Anda. Pastikan benda kerja berada pada platform yang stabil.** Sangat penting untuk menunjang pekerjaan dengan benar untuk meminimalkan tubuh terpapar, mata pisau terikat, atau kehilangan kontrol.
- Gbr.1
5. **Pegang mesin listrik pada permukaan genggam yang terisolasi saat melakukan pekerjaan karena alat pemotong mungkin saja bersentuhan dengan kawat tersembunyi.** Sentuhan dengan kabel "hidup" juga akan menyebabkan bagian logam pada mesin teraliri arus listrik dan menyengat operator.
  6. **Saat membelah, selalu gunakan pagar pembelah atau petunjuk tepi lurus.** Hal ini meningkatkan akurasi potongan dan mengurangi kemungkinan terikatnya mata pisau.
  7. **Selalu gunakan mata pisau dengan ukuran dan bentuk yang tepat (bentuk berlian atau lingkaran) dari lubang lengkung.** Mata pisau yang tidak sesuai untuk dipasang pada perangkat keras gergaji jika digunakan akan melenceng dari pusatnya sehingga mengakibatkan kehilangan kontrol.
  8. **Jangan pernah gunakan cincin mata pisau atau baut yang salah.** Cincin mata pisau dan baut dirancang secara khusus untuk gergaji Anda, untuk kinerja yang optimal dan keselamatan pengoperasian.

### Penyebab hentakan balik dan peringatan terkait

- sentakan balik adalah reaksi mendadak dari mata gergaji yang terjepit, tersangkut atau tidak sejajar, menyebabkan gergaji yang tidak terkontrol mungkin terangkat dan keluar dari benda kerja ke arah operator;
- saat mata pisau terjepit atau tersangkut kuat oleh goresan tertutup, mata pisau berhenti bergerak dan reaksi motor menggerakkan unit dengan cepat ke arah operator;
- jika mata pisau terikat atau tidak sejajar pada potongan, gigi pada tepi belakang mata pisau dapat menggali ke permukaan atas kayu menyebabkan mata pisau keluar naik dari goresan dan melompat kembali ke arah operator.

Hentakan balik merupakan akibat dari salah cara menggunakan gergaji dan/atau prosedur atau kondisi pengoperasian yang salah dan dapat dihindari dengan melakukan tindakan kewaspadaan yang tepat sebagaimana diuraikan di bawah ini.

1. **Pertahankan pegangan yang kuat pada gergaji dengan kedua tangan dan posisikan lengan Anda untuk menahan kekuatan balik.** Posisikan tubuh Anda di sisi mata pisau, bukan sejajar dengan mata pisau. Hentakan balik dapat menyebabkan gergaji melompat ke belakang, namun kekuatan hentakan balik dapat dikontrol oleh operator, jika dilakukan tindakan pencegahan yang tepat.
  2. **Saat mata pisau terikat, atau saat menyela pemotongan, lepaskan picu dan pegang gergaji tidak bergerak dalam bahan kerja sampai mata pisau benar-benar berhenti.** Jangan pernah mencoba melepas gergaji dari pekerjaan atau menarik gergaji ke belakang saat mata pisau bergerak, jika tidak, akan terjadi hentakan balik. Periksa dan ambil tindakan yang tepat untuk menyingkirkan penyebab terikatnya mata pisau.
  3. **Saat memulai ulang gergaji pada benda kerja, pusatkan mata gergaji di goresan sehingga gigi gergaji tidak tersangkut pada benda kerja.** Jika mata gergaji tersangkut, maka mata gergaji mungkin keluar atau menyentak balik dari benda kerja saat gergaji dimulai ulang.
  4. **Tunjang panel besar untuk meminimalkan risiko mata pisau terjepit dan terhentak balik.** Panel besar cenderung melengkung karena beratnya. Penunjang harus ditempatkan di bawah panel pada kedua sisi, dekat garis pemotongan dan tepi panel.
- Gbr.2
- Gbr.3
5. **Jangan gunakan mata pisau yang tumpul atau rusak.** Set mata pisau yang tidak diasah atau tidak tepat dapat menghasilkan goresan yang tipis yang dapat menyebabkan gesekan berlebihan, terikatnya mata pisau dan hentakan balik.
  6. **Ketajaman mata pisau dan tuas pengunci penyetel sudut harus kencang dan aman sebelum pemotongan.** Apabila penyetelan mata pisau bergeser saat memotong, hal ini dapat menyebabkan mata pisau terikat dan terhentak balik.
  7. **Berhati-hatilah saat menggergaji dinding atau area buta lain.** Mata pisau yang mencuat dapat memotong objek yang dapat menyebabkan hentakan balik.
  8. **SELALU pegang mesin kuat-kuat dengan kedua tangan. JANGAN PERNAH letakkan tangan, kaki atau bagian tubuh Anda di bawahudukan mesin atau di belakang gergaji, terutama saat membuat potongan menyilang.** Apabila terjadi hentakan balik, gergaji dapat dengan mudah melompat ke belakang tangan, dan mengakibatkan cedera serius.

► Gbr.4

9. **Jangan sekali-kali menekan gergaji. Dorong gergaji ke depan dengan satu kecepatan sehingga mata pisau memotong tanpa melambat.** Menekan gergaji dapat menyebabkan potongan yang tidak merata, tidak adanya akurasi, dan kemungkinan terjadinya hentakan balik.

#### Fungsi pelindung

1. **Periksa apakah pelindung bagian bawah tertutup dengan baik setiap kali akan digunakan. Jangan mengoperasikan gergaji jika pelindung bagian bawah tidak bergerak bebas dan menutup dengan cepat. Jangan pernah menjepit atau mengikat pelindung bagian bawah ke posisi terbuka.** Jika gergaji terjatuh dengan tidak sengaja, pelindung bagian bawah dapat bengkok. Naikkan pelindung bagian bawah menggunakan pegangan penarik dan pastikan pelindung bergerak bebas dan tidak menyentuh mata pisau atau bagian lain, dalam semua sudut dan kedalaman potongan.
2. **Periksa pengoperasian pegas pelindung bagian bawah. Jika pelindung dan pegas tidak beroperasi dengan benar, maka pelindung dan pegas harus diservis sebelum digunakan.** Pelindung bagian bawah dapat beroperasi dengan lambat karena ada bagian yang rusak, lapisan yang lengket, atau serpihan.
3. **Pelindung bagian bawah dapat ditarik secara manual hanya untuk pemotongan khusus seperti “potongan plunge” dan “potongan campuran”.** Naikkan pelindung bagian bawah menggunakan pegangan penarik, dan pelindung bagian bawah harus dilepas segera setelah mata pisau memasuki material. Untuk semua penggergajian lainnya, pelindung bagian bawah harus beroperasi secara otomatis.
4. **Selalu perhatikan apakah pelindung bagian bawah menutupi mata pisau sebelum menempatkan gergaji pada bangku atau lantai.** Mata pisau yang tidak terlindung dan meluncur akan menyebabkan gergaji berjalan mundur, memotong apa saja yang ada di jalurnya. Perhatikanlah waktu yang diperlukan mata pisau untuk berhenti setelah sakelar dilepas.
5. **Untuk memeriksa pelindung bagian bawah, buka pelindung bawah dengan tangan lalu lepas dan perhatikan penutupan pelindung. Periksa juga untuk melihat apakah pegangan penarik tidak menyentuh rumah mesin.** Membiarkan mata pisau terbuka adalah hal yang SANGAT BERBAHAYA dan dapat menyebabkan cedera serius.

#### Peringatan keselamatan tambahan

1. **Berhati-hatilah saat memotong kayu yang basah, kayu balok, atau kayu yang mengandung mata kayu.** Pertahankan laju mesin yang halus tanpa mengurangi kecepatan mata pisau untuk menghindari panas berlebihan pada ujung mata pisau.
2. **Jangan mencoba menghilangkan material pemotongan saat mata pisau bergerak. Tunggu sampai mata pisau berhenti sebelum memegang material pemotongan.** Mata pisau meluncur setelah dimatikan.

3. **Hindari memotong paku. Periksa dan buang semua paku dari kayu sebelum pengoperasian.**
4. **Tempatkan bagian yang lebih besar dari dudukan gergaji pada bagian benda kerja yang disokong dengan kuat, bukan pada bagian yang akan jatuh saat pemotongan. Jepit benda kerja jika berukuran kecil atau pendek. JANGAN MENCoba MEMEGANG BAGIAN YANG PENDEK DENGAN TANGAN!**

#### ► Gbr.5

5. **Sebelum menyetel mesin setelah menyelesaikan satu potongan, pastikan pelindung telah tertutup dan mata pisau telah benar-benar berhenti.**
  6. **Jangan pernah mencoba menggergaji dengan gergaji bundar yang dipasang terbalik pada ragum. Hal ini sangat berbahaya dan dapat mengakibatkan kecelakaan serius.**
- #### ► Gbr.6
7. **Bahan tertentu mengandung zat kimia yang mungkin beracun. Hindari menghirup debu dan persentuhan dengan kulit. Ikuti data keselamatan bahan dari pemasok.**
  8. **Jangan menghentikan mata pisau dengan tekanan lateral pada mata gergaji.**
  9. **Jangan gunakan roda ampelas apa pun.**
  10. **Gunakan hanya mata gergaji dengan diameter yang ditandai pada mesin atau ditentukan dalam petunjuk. Menggunakan mata pisau dengan ukuran yang salah akan memengaruhi perlindungan mata pisau atau pengoperasian pelindung yang dapat mengakibatkan cedera serius.**
  11. **Jaga mata pisau tetap tajam dan bersih.** Getah dan ter kayu yang mengeras pada mata pisau memperlambat gergaji dan meningkatkan risiko terjadinya hentakan balik. Jaga agar mata pisau tetap bersih dengan melepasnya terlebih dahulu dari mesin, lalu membersihkannya dengan penghilang getah dan ter, air panas atau kerosin. Jangan pernah gunakan bensin.
  12. **Gunakan masker debu dan pelindung telinga saat menggunakan mesin.**
  13. **Selalu gunakan mata gergaji yang khusus digunakan untuk memotong material yang Anda inginkan.**
  14. **Hanya gunakan mata gergaji dengan kecepatan yang sama atau lebih tinggi dari kecepatan yang tertera pada mesin.**
  15. **(Hanya untuk negara-negara Eropa) Gunakan hanya mata pisau yang sesuai dengan EN847-1.**
  16. **Letakkan mesin dan komponen pada permukaan yang rata dan stabil. Jika tidak, mesin dan komponen dapat jatuh dan menyebabkan cedera.**

## SIMPAN PETUNJUK INI.

**⚠️ PERINGATAN:** JANGAN biarkan kenyamanan atau terbiasanya Anda dengan produk (karena penggunaan berulang) mengurangi kepatuhan yang ketat terhadap aturan keselamatan untuk produk yang terkait. **PENYALAHGUNAAN** atau kelalaian mematuhi kaidah keselamatan yang tertera dalam petunjuk ini dapat menyebabkan cedera badan serius.

## Petunjuk keselamatan penting untuk kartrid baterai

1. Sebelum menggunakan kartrid baterai, bacalah semua petunjuk dan penandaan pada (1) pengisi daya baterai, (2) baterai, dan (3) produk yang menggunakan baterai.
2. Jangan membongkar atau memodifikasi kartrid baterai. Tindakan tersebut dapat menimbulkan api, panas berlebih, atau ledakan.
3. Jika waktu beroperasinya menjadi sangat singkat, segera hentikan penggunaan. Hal tersebut dapat menimbulkan risiko panas berlebih, kemungkinan mengalami luka bakar atau bahkan terjadi ledakan.
4. Jika elektrolit mengenai mata Anda, basuh dengan air bersih dan segera cari pertolongan medis. Hal tersebut dapat mengakibatkan hilangnya kemampuan penglihatan Anda.
5. Jangan menghubungkan terminal kartrid baterai:
  - (1) Jangan menyentuh terminal dengan bahan penghantar listrik apa pun.
  - (2) Hindari menyimpan kartrid baterai pada wadah yang berisi benda logam lain seperti paku, uang logam, dsb.
  - (3) Jangan membiarkan baterai terkena air atau kehujanan.Hubungan singkat baterai dapat menyebabkan aliran arus listrik yang besar, panas berlebih, kemungkinan mengalami luka bakar dan bahkan kerusakan pada baterai.
6. Jangan menyimpan dan menggunakan mesin dan kartrid baterai pada lokasi dengan suhu yang bisa mencapai atau melebihi 50 °C (122 °F).
7. Jangan membuang kartrid baterai di tempat pembakaran sampah walaupun benar-benar rusak atau tidak bisa digunakan sama sekali. Kartrid baterai bisa meledak jika terbakar.
8. Jangan memaku, memotong, menghancurkan, melempar, menjatuhkan kartrid baterai, atau memukulkan benda keras ke kartrid baterai. Tindakan tersebut dapat menimbulkan api, panas berlebih, atau ledakan.
9. Jangan menggunakan baterai yang rusak.

10. **Baterai litium-ion yang disertakan sesuai dengan persyaratan Perundangan Makanan Berbahaya.**

Harus ada pengawasan untuk pengangkutan komersial misalnya oleh pihak ketiga, ekspeditor, persyaratan khusus terhadap pengemasan dan pelabelan.

Diperlukan adanya konsultasi dengan ahli mengenai material berbahaya untuk persiapan barang yang akan dikirimkan. Perhatikan pula peraturan nasional yang lebih terperinci yang mungkin ada.

Beri perekat atau tutupi bagian yang terbuka dan kemasi baterai dengan cara yang tidak akan menimbulkan pergeseran dalam pengemasan.
11. **Ketika membuang kartrid baterai, lepaskan dari mesin dan buang ke tempat yang aman. Patuhi peraturan setempat yang berkaitan dengan pembuangan baterai.**
12. **Gunakan baterai hanya dengan produk yang ditentukan oleh Makita.** Memasang baterai pada produk yang tidak sesuai dapat menyebabkan kebakaran, kelebihan panas, ledakan, atau kebocoran elektrolit.
13. **Jika mesin tidak digunakan dalam jangka waktu yang lama, baterai harus dilepas dari mesin.**
14. **Selama dan setelah digunakan, kartrid baterai mungkin menyimpan panas yang dapat menyebabkan luka bakar atau luka bakar suhu rendah.** Perhatikan cara memegang kartrid baterai yang masih panas.
15. **Jangan langsung menyentuh terminal mesin setelah digunakan karena suhunya mungkin cukup panas untuk menyebabkan luka bakar.**
16. **Jangan biarkan serpihan, debu, atau tanah menempel di terminal, lubang, dan alur kartrid baterai.** Hal tersebut dapat mengakibatkan kinerja buruk atau kerusakan mesin maupun kartrid baterai.
17. **Kecuali jika mesin mendukung penggunaan di dekat saluran listrik bertegangan tinggi, jangan gunakan kartrid baterai di dekat saluran listrik bertegangan tinggi.** Hal tersebut dapat mengakibatkan kegagalan fungsi atau kerusakan mesin maupun kartrid baterai.
18. **Jauhkan baterai dari jangkauan anak-anak.**

## SIMPAN PETUNJUK INI.

**⚠️ PERHATIAN:** Gunakan baterai asli Makita. Penggunaan baterai Makita yang tidak asli, atau baterai yang sudah diubah, akan mengakibatkan baterai mudah terbakar, cedera dan kerusakan. Akan menghilangkan garansi Makita pada pengisi daya dan alat Makita.

## Tip untuk menjaga agar umur pemakaian baterai maksimum

1. Isi ulang kartrid baterai sebelum habis sama sekali. Selalu hentikan penggunaan mesin dan ganti kartrid baterai jika Anda melihat bahwa mesin kurang tenaga.

2. Jangan pernah mengisi ulang kartrid baterai yang sudah diisi penuh. Pengisian ulang yang berlebih memperpendek umur pemakaian baterai.
3. Isi ulang kartrid baterai pada suhu ruangan 10 °C - 40 °C. Biarkan kartrid baterai yang panas menjadi dingin terlebih dahulu sebelum diisi ulang.
4. Saat kartrid baterai tidak digunakan, lepaskan dari mesin atau pengisi daya.
5. Isi ulang daya kartrid baterai jika Anda tidak menggunakannya untuk jangka waktu yang lama (lebih dari enam bulan).
17. Jangan melepaskan unit nirkabel dari celah ketika daya sedang mengalir ke dalam mesin. Melakukan hal ini dapat menyebabkan kerusakan fungsi pada unit nirkabel.
18. Jangan melepaskan stiker pada unit nirkabel.
19. Jangan menempelkan stiker apa pun pada unit nirkabel.
20. Jangan meninggalkan unit nirkabel di tempat yang dapat menghasilkan listrik statis atau gangguan listrik.
21. Jangan meninggalkan unit nirkabel di tempat dengan panas tinggi seperti pada mobil di bawah sinar matahari langsung.
22. Jangan meninggalkan unit nirkabel di tempat berdebu atau berserbuk atau di tempat yang dapat menghasilkan gas yang bersifat korosif.

## Petunjuk keselamatan penting untuk unit nirkabel

1. Jangan membongkar atau memodifikasi unit nirkabel.
2. Jauhkan unit nirkabel dari anak kecil. Jika tidak sengaja tertelan, segera minta pertolongan medis.
3. Gunakan unit nirkabel hanya dengan peralatan Makita.
4. Pastikan unit nirkabel tidak keujanan atau basah.
5. Jangan menggunakan unit nirkabel di tempat-tempat yang bersuhu lebih dari 50°C.
6. Jangan menggunakan unit nirkabel di tempat-tempat yang dekat dengan peralatan medis, seperti alat pacu jantung.
7. Jangan menggunakan unit nirkabel di tempat-tempat yang dekat dengan perangkat otomatis. Jika tetap digunakan, perangkat otomatis dapat menjadi tidak berfungsi atau rusak.
8. Jangan mengoperasikan unit nirkabel di tempat-tempat yang bersuhu tinggi atau tempat-tempat yang dapat menghasilkan listrik statis atau gangguan listrik.
9. Unit nirkabel dapat menghasilkan medan magnet (EMF), tetapi medan magnet ini tidak berbahaya bagi pengguna.
10. Unit nirkabel merupakan suatu peralatan yang akurat. Berhati-hatilah jangan sampai unit nirkabel jatuh atau terbentur.
11. Jangan menyentuh terminal unit nirkabel dengan tangan tanpa pelindung atau dengan barang berbahan logam.
12. Selalu lepaskan baterai dari produk ketika memasang unit nirkabel ke dalamnya.
13. Ketika membuka penutup celah hindari tempat yang dapat mengakibatkan debu dan air masuk ke dalam celah. Selalu jaga tempat masuk celah dalam keadaan bersih.
14. Selalu masukkan unit nirkabel dengan arah yang benar.
15. Jangan menekan tombol pengaktifan nirkabel pada unit nirkabel terlalu kuat dan/atau menekan tombol dengan benda berujung tajam.
16. Selalu tutup bagian penutup celah selama digunakan.
23. Perubahan suhu secara mendadak dapat mengakibatkan unit nirkabel menjadi berembun. Jangan menggunakan unit nirkabel hingga embun telah benar-benar kering.
24. Ketika membersihkan unit nirkabel, usap dengan hati-hati menggunakan kain lembut dan kering. Jangan menggunakan benzena, tiner, gemuk konduktif atau sejenisnya.
25. Ketika menyimpan unit nirkabel, simpan dalam kotak yang disediakan atau wadah bebas listrik statis.
26. Jangan memasukkan perangkat apa pun selain unit nirkabel Makita ke dalam celah pada mesin.
27. Jangan menggunakan mesin jika penutup celah rusak. Air, debu, dan kotoran yang masuk ke dalam celah dapat mengakibatkan malafungsi.
28. Jangan menarik dan/atau memutar penutup celah lebih dari yang diperlukan. Pasang ke tempatnya semula jika penutup terlepas dari mesin.
29. Ganti penutup celah jika hilang atau rusak.

## SIMPAN PETUNJUK INI.

## DESKRIPSI FUNGSI

**⚠PERHATIAN:** Selalu pastikan bahwa mesin dimatikan dan kartrid baterai dilepas sebelum menyatel atau memeriksa kerja mesin.

## Memasang atau melepas baterai

**⚠PERHATIAN:** Selalu matikan mesin sebelum memasang atau melepas kartrid baterai.

**⚠PERHATIAN:** Pegang mesin dan kartrid baterai kuat-kuat saat memasang atau melepas kartrid baterai. Kelalaian untuk memegang mesin dan kartrid baterai kuat-kuat bisa menyebabkan keduanya tergelincir dari tangan Anda dan mengakibatkan kerusakan pada mesin dan kartrid baterai dan cedera diri.

- **Gbr.7:** 1. Indikator berwarna merah 2. Tombol 3. Kartrid baterai



Untuk melepas kartrid baterai, geser dari mesin sambil menggeser tombol pada bagian depan kartrid.

Untuk memasang kartrid baterai, sejajarkan lidah kartrid baterai dengan alur pada rumah dan masukkan ke dalam tempatnya. Masukkan seluruhnya sampai terkunci pada tempatnya dan terdengar bunyi klik kecil. Jika Anda bisa melihat indikator berwarna merah pada sisi atas tombol, berarti tidak terkunci sepenuhnya.

**⚠️PERHATIAN:** Selalu pasang kartrid baterai sepenuhnya sampai indikator berwarna merah tidak terlihat. Jika tidak, bisa terlepas dari mesin secara tidak sengaja, menyebabkan luka pada Anda atau orang di sekitar Anda.

**⚠️PERHATIAN:** Jangan memasang kartrid baterai secara paksa. Jika kartrid tidak bergeser dengan mudah, berarti tidak dimasukkan dengan benar.

## Sistem perlindungan mesin / baterai


Mesin ini dilengkapi dengan sistem perlindungan mesin/ baterai. Sistem ini memutuskan daya ke motor secara otomatis untuk memperpanjang umur pemakaian mesin dan baterai. Mesin akan berhenti secara otomatis saat penggunaan jika mesin atau baterai berada dalam salah satu kondisi berikut ini. Dalam kondisi yang sama, indikator akan menyala.

### Perlindungan kelebihan beban

Jika mesin/baterai digunakan dengan cara yang menjadikan baterai mengeluarkan arus tinggi yang berlebihan, mesin akan berhenti secara otomatis. Dalam situasi ini, matikan mesin dan hentikan pekerjaan yang menyebabkan mesin mengalami kelebihan beban. Kemudian, nyalakan mesin untuk kembali melanjutkan pekerjaan.

### Perlindungan panas berlebih

Bila mesin/baterai mengalami panas berlebih, mesin akan berhenti secara otomatis dan indikator baterai berkedip sekitar 60 detik. Untuk situasi ini, biarkan mesin menjadi dingin sebelum menyalakan mesin kembali.


<input type="checkbox"/> menyala	<input checked="" type="checkbox"/> Berkedip
	

### Perlindungan pengisian daya berlebih

Ketika kapasitas baterai melemah, mesin akan berhenti secara otomatis. Jika produk tidak beroperasi bahkan ketika sakelar digunakan, lepaskan baterai dari mesin dan isi daya baterai.

## Melepaskan kunci pelindung

Ketika sistem pelindung bekerja terus menerus, mesin akan terkunci dan indikator baterai menunjukkan kondisi berikut.

<input checked="" type="checkbox"/> Berkedip	<input type="checkbox"/> Mati
	








Dalam situasi ini, mesin tidak berjalan meskipun dengan menyalakan dan mematikan mesin. Untuk melepaskan kunci pelindung, lepaskan baterai, pasang di pengisi daya baterai, dan tunggu hingga pengisian selesai.

## Mengindikasikan kapasitas baterai yang tersisa

Saat Anda menarik pelatuk sakelar, indikator baterai akan menunjukkan kapasitas baterai yang tersisa.

► **Gbr.8:** 1. Indikator baterai

Kapasitas baterai yang tersisa ditunjukkan sebagaimana tabel berikut ini.

Status indikator baterai			Kapasitas baterai yang tersisa
 Menyala	 Mati	 Berkedip	
			50% hingga 100%
			20% hingga 50%
			0% hingga 20%
			Isi ulang baterai

## Mengindikasikan kapasitas baterai yang tersisa

**Hanya untuk kartrid baterai dengan indikator**

► **Gbr.9:** 1. Lampu indikator 2. Tombol pemeriksaan

Tekan tombol pemeriksaan pada kartrid baterai untuk melihat kapasitas baterai yang tersisa. Lampu indikator menyala selama beberapa detik.

Lampu indikator			Kapasitas yang tersisa
Menyala	Mati	Berkedip	
			75% hingga 100%
			50% hingga 75%
			25% hingga 50%
			0% hingga 25%
			Isi ulang baterai.
			Baterai mungkin sudah rusak.

**CATATAN:** Tergantung kondisi penggunaan dan suhu lingkungannya, penunjukkan mungkin saja sedikit berbeda dari kapasitas sebenarnya.

**CATATAN:** Lampu indikator pertama (ujung kiri) akan berkedip ketika sistem perlindungan mesin bekerja.

## KERJA sakelar

**⚠️PERINGATAN:** Sebelum memasukkan kartrid baterai pada mesin, pastikan picu saklar berfungsi dengan baik dan kembali ke posisi “OFF” saat dilepas.

**⚠️PERINGATAN:** JANGAN PERNAH mengakali tombol buka kunci dengan menyelotip atau menggunakan alat-alat lainnya. Sakelar tanpa tombol buka kunci dapat mengakibatkan pengoperasian yang tidak diinginkan dan cedera badan serius.

**⚠️PERINGATAN:** JANGAN PERNAH menggunakan mesin jika mesin tersebut menyala ketika Anda hanya menarik picu sakelarnya tanpa menekan tuas buka kunci. Sakelar yang memerlukan perbaikan dapat mengakibatkan pengoperasian yang tidak diinginkan dan cedera badan serius. Kembalikan mesin ke pusat layanan Makita untuk diperbaiki dengan benar SEBELUM menggunakannya lebih lanjut.

Untuk mencegah picu sakelar tertarik dengan tidak sengaja, tersedia sebuah tombol buka kunci. Untuk menjalankan mesin, tekan tombol buka kunci dan tarik picu saklar. Lepaskan pelatuk sakelar untuk berhenti.

► **Gbr.10:** 1. Pelatuk sakelar 2. Tombol pengunci

**PEMBERITAHUAN:** Jangan menarik dalam-dalam picu sakelar tanpa menekan tombol buka kunci. Hal ini bisa merusak sakelar.

**⚠️PERHATIAN:** Mesin akan mengemrem rotasi mata gergaji bundar segera setelah Anda melepaskan pelatuk sakelar. Pegang mesin dengan kuat untuk merespons reaksi rem saat pelatuk sakelar dilepaskan. Reaksi yang tiba-tiba dapat membuat mesin terlepas dari tangan Anda dan dapat menyebabkan cedera pribadi.

## Fungsi perubahan kecepatan otomatis

Mesin ini memiliki “mode kecepatan tinggi” dan “mode putaran tinggi”.

Mesin secara otomatis mengubah mode pengoperasian tergantung pada beban kerja. Ketika beban kerja rendah, mesin akan bekerja dalam “mode kecepatan tinggi” untuk memotong dengan lebih cepat. Ketika beban kerja tinggi, mesin akan bekerja dalam “mode putaran tinggi” untuk memotong dengan lebih bertenaga.

► **Gbr.11:** 1. Indikator mode

Indikator mode menyala dalam warna hijau ketika mesin berada dalam “mode putaran tinggi”.

Jika mesin mengalami kelebihan beban, indikator mode akan berkedip hijau. Indikator mode akan berhenti berkedip dan menyala atau padam jika Anda mengurangi beban pada mesin.

Status indikator mode			Mode pengoperasian
Menyala	Mati	Berkedip	
			Mode kecepatan tinggi
			Mode putaran tinggi
			Peringatan kelebihan beban

## Menyetel kedalaman pemotongan

**⚠️PERHATIAN:** Setelah menyesuaikan kedalaman pemotongan, selalu kencangkan tuas dengan kuat.

Kendurkan tuas dan pindahkan dudukan ke atas atau ke bawah untuk menyesuaikan penunjuk dengan kedalaman yang diinginkan pada pemandu kedalaman. Pada kedalaman potongan yang diinginkan, amankan dudukan dengan mengencangkan tuas.

Untuk pemotongan yang lebih bersih dan lebih aman, tetapkan kedalaman potongan sehingga tidak ada lebih dari satu gigi mata pisau yang timbul di bawah benda kerja. Menggunakan kedalaman potongan secara tepat membantu mengurangi kemungkinan terjadinya SENTAKAN BALIK berbahaya yang dapat menyebabkan cedera.

► **Gbr.12:** 1. Penunjuk 2. Tuas

Anda dapat membaca kedalaman potongan dengan skala pada pelindung bawah.

- **Gbr.13:** 1. Pelindung bawah 2. Bagian bawah dudukan mesin 3. Skala

## Pemotongan siku-siku

**⚠PERHATIAN:** Setelah menyesuaikan sudut siku-siku, selalu kencangkan tuas dan sekrup penjepit dengan kuat.

Kendurkan tuas dan sekrup penjepit. Tetapkan sudut yang diinginkan dengan memiringkannya, lalu kencangkan tuas dan sekrup penjepit dengan kuat.

- **Gbr.14:** 1. Tuas 2. Sekrup penjepit

Gunakan penahan saat Anda melakukan pemotongan sudut tepat 45°. Putar penahan sepenuhnya seperti yang ditunjukkan pada gambar bergantung pada potongan siku-siku 0° - 45° atau potongan siku-siku 0° - 50°.

- **Gbr.15:** 1. Penahan

## Pengamatan

Untuk potongan yang lurus, luruskan posisi 0° di depan dudukan dengan garis pemotongan. Untuk potongan siku-siku sebesar 45°, luruskan posisi 45° dengan garis pemotongan.

- **Gbr.16:** 1. Garis pemotongan (posisi 0°) 2. Garis pemotongan (posisi 45°)

## Menyalakan lampu

**⚠PERHATIAN:** Jangan melihat lampu atau sumber cahaya secara langsung.

Untuk menyalakan lampu tanpa menjalankan mesin, tarik pelatuk sakelar tanpa menekan tombol pengunci. Untuk menyalakan lampu saat mesin berjalan, tekan dan tahan tombol pengunci dan tarik pelatuk sakelar. Lampu akan padam 10 detik setelah pelatuk sakelar dilepaskan.

- **Gbr.17:** 1. Lampu

**CATATAN:** Gunakan kain kering untuk mengelap kotoran dari lensa lampu. Hati-hati jangan sampai menggores lensa lampu, atau hal tersebut dapat menurunkan tingkat penerangannya.

## Kait

### Pilihan Aksesori

**⚠PERHATIAN:** Selalu lepas baterai bila akan menggantung mesin dengan menggunakan kait.

**⚠PERHATIAN:** Jangan pernah mengaitkan mesin di tempat yang tinggi atau pada permukaan di mana mesin dapat miring dan terjatuh. Jika tidak, kecelakaan disebabkan mesin yang terjatuh dapat terjadi dan menyebabkan cedera serius.

**⚠PERHATIAN:** Saat mesin dikaitkan, jangan menariknya ke bawah.

Kait berguna untuk menggantung mesin sementara.

- **Gbr.18**

Pasang kait dengan sekrup seperti yang ditunjukkan pada gambar.

- **Gbr.19:** 1. Kait 2. Sekrup

Untuk menggunakan kait, cukup putar kait sampai terkunci ke posisi terbuka.

Bila tidak digunakan, selalu putar kait sampai terkunci ke posisi tertutup.

- **Gbr.20:** 1. Posisi terbuka 2. Posisi tertutup

## Fungsi elektronik

Mesin yang dilengkapi dengan fungsi elektronik mudah dioperasikan karena memiliki fitur berikut ini.

### Fitur awal pengerjaan lembut

Awal pengerjaan yang lembut karena adanya peredaman kejutan awal.

## PERAKITAN

**⚠PERHATIAN:** Selalu pastikan bahwa mesin dimatikan dan kartrid baterai dilepas sebelum melakukan pekerjaan apa pun pada mesin.

## Penyimpanan kunci L

Saat tidak digunakan, simpan kunci L seperti terlihat pada gambar agar tidak hilang.

- **Gbr.21:** 1. Kunci L

## Melepas dan memasang mata gergaji bundar

**⚠PERHATIAN:** Pastikan mata gergaji bundar terpasang dengan gigi-giginya menghadap ke atas di depan mesin.

**⚠PERHATIAN:** Gunakan hanya kunci L Makita untuk memasang atau melepas mata gergaji bundar.

Untuk melepaskan mata gergaji bundar, tekan kunci poros sepenuhnya sehingga mata gergaji bundar tidak berputar dan gunakan kunci L untuk mengendurkan baut kepala segi-enam. Kemudian lepaskan baut kepala segi-enam, flensa luar, mata gergaji bundar, dan cincin (negara tertentu).

- **Gbr.22:** 1. Kunci poros 2. Kunci L 3. Kendurkan 4. Kencangkan

### Untuk mesin tanpa cincin

- **Gbr.23:** 1. Baut kepala segi-enam 2. Flensa luar 3. Mata gergaji bundar 4. Flensa dalam

### Untuk mesin dengan cincin

- **Gbr.24:** 1. Baut kepala segi-enam 2. Flensa luar 3. Mata gergaji bundar 4. Cincin 5. Flensa dalam

Untuk memasang mata gergaji bundar, ikuti urutan terbalik dari prosedur pelepasan.

## Untuk mesin dengan flensa dalam untuk mata gergaji dengan diameter lubang selain 15,88 mm

Flensa dalam memiliki prostusi dengan diameter khusus pada satu sisinya dan prostusi dengan diameter yang berbeda pada sisi lainnya. Pilih sisi yang benar di mana prostusi yang pas dengan lubang mata gergaji dengan sempurna. Pasangkan flensa dalam ke dalam poros pemasangan sehingga sisi prostusi yang benar pada flensa dalam menghadap keluar dan kemudian tempatkan mata pisau dan flensa luar.

- **Gbr.25:** 1. Poros pemasangan 2. Flensa dalam 3. Mata gergaji bundar 4. Flensa luar 5. Baut kepala segi-enam

**⚠PERINGATAN:** PASTIKAN UNTUK MENGENCANGKAN BAUT KEPALA SEGI-ENAM SEARAH JARUM JAM DENGAN KUAT. Berhati-hatilah agar tidak mengencangkan baut terlalu kuat. Tangan Anda dapat mengalami cedera jika terjadi selip ketika menggunakan kunci L.

**⚠PERINGATAN:** Pastikan prostusi "a" pada flensa dalam yang disimpan di luar pas dengan lubang mata gergaji "a" dengan sempurna. Memasang mata pisau di sisi yang salah dapat mengakibatkan getaran yang berbahaya.

## Untuk mesin dengan flensa dalam untuk mata gergaji dengan diameter lubang 15,88 mm (negara tertentu)

Pasangkan flensa dalam dengan sisi resesi yang menghadap keluar ke dalam poros pemasangan dan kemudian tempatkan mata pisau (dengan cincin dipasangkan jika diperlukan), flensa luar dan baut kepala segi enam.

### Untuk mesin tanpa cincin

- **Gbr.26:** 1. Poros pemasangan 2. Flensa dalam 3. Mata gergaji bundar 4. Flensa luar 5. Baut kepala segi-enam

### Untuk mesin dengan cincin

- **Gbr.27:** 1. Poros pemasangan 2. Flensa dalam 3. Mata gergaji bundar 4. Flensa luar 5. Baut kepala segi-enam 6. Cincin

**⚠PERINGATAN:** PASTIKAN UNTUK MENGENCANGKAN BAUT KEPALA SEGI-ENAM SEARAH JARUM JAM DENGAN KUAT. Berhati-hatilah agar tidak mengencangkan baut terlalu kuat. Tangan Anda dapat mengalami cedera jika terjadi selip ketika menggunakan kunci L.

**⚠PERINGATAN:** Jika cincin diperlukan untuk memasang pisau ke dalam spindel, selalu pastikan cincin yang benar untuk lubang arbor pisau yang Anda tentukan untuk digunakan dipasang antara flensa dalam dan luar.

Penggunaan cincin lubang arbor yang tidak tepat dapat menyebabkan pemasangan yang tidak tepat pada pisau yang menyebabkan gerakan pisau dan getaran parah yang menyebabkan hilangnya kendali selama pengoperasian dan cedera personal yang serius.

## Membersihkan pelindung mata pisau

Saat mengganti pisau gergaji bundar, pastikan juga untuk membersihkan pelindung mata pisau bagian atas dan bawah dari serbuk gergaji seperti yang telah dibahas dalam bagian Perawatan. Upaya tersebut tidak menggantikan perlunya memeriksa pengoperasian pelindung bagian bawah sebelum setiap penggunaan.

## Menyambungkan pengisap debu

Ketika Anda ingin melakukan operasi pemotongan yang bersih, sambungkan pengisap debu Makita ke mesin Anda. Sambungkan selang pengisap debu ke nosel debu seperti ditunjukkan dalam gambar.

- **Gbr.28:** 1. Nosel debu 2. Sekrup

- **Gbr.29:** 1. Selang 2. Pengisap debu

## PENGUNAAN

**⚠PERHATIAN:** Kenakan masker debu saat melakukan pekerjaan pemotongan.

**⚠PERHATIAN:** Pastikan untuk menggerakkan mesin ke depan dalam garis lurus dengan hati-hati. Menekan atau memutar mesin akan mengakibatkan panas berlebih pada motor dan hentakan balik yang berbahaya, mungkin mengakibatkan cedera yang parah.

**CATATAN:** Saat suhu kartrid baterai rendah, mesin mungkin tidak bekerja pada kapasitas maksimal. Pada kondisi ini, contohnya, gunakan mesin untuk potongan yang ringan untuk sementara hingga kartrid baterai mencapai panas seperti suhu ruangan. Maka mesin dapat bekerja hingga kapasitas maksimalnya.

- **Gbr.30**

Pegang mesin kuat-kuat. Mesin tersedia dengan gagang depan dan pegangan belakang. Gunakan keduanya untuk pegangan mesin yang paling baik. Kedua tangan tidak akan terpotong mata gergaji bundar jika keduanya memegang gergaji. Setel dudukan pada benda kerja yang akan dipotong dengan kondisi mata gergaji bundar tidak menyentuh apa pun. Lalu nyalakan mesin dan tunggu sampai mata gergaji bundar mencapai kecepatan penuh. Sekarang gerakan mesin arah maju di atas permukaan benda kerja, jaga agar mesin tetap datar dan gerakan dengan lembut sampai penggergajian selesai.

Untuk memperoleh potongan yang bersih, jaga agar garis penggergajian tetap lurus dan kecepatan pergerakan tetap sama. Jika potongan gagal untuk mengikuti garis pemotongan yang Anda inginkan dengan benar, jangan mencoba untuk memutar atau menekan mesin kembali ke garis potongan. Melakukan hal tersebut akan mengikat mata gergaji bundar dan mengakibatkan hentakan balik yang berbahaya dan cedera serius. Lepaskan sakelar, tunggu mata gergaji bundar berhenti lalu lepaskan mesin. Luruskan kembali mesin pada garis potongan yang baru, dan mulailah memotong lagi. Usahakan untuk menghindari posisi yang akan menyebabkan operator terkena serpihan dan debu kayu yang terlontar dari gergaji. Gunakan pelindung mata untuk membantu mencegah cedera.

## Pembatas potongan (Mistar pemandu)

### Pilihan Aksesori

- **Gbr.31:** 1. Pembatas potongan (Mistar pemandu)  
2. Sekrup penjepit

Pembatas potongan yang praktis memungkinkan Anda untuk melakukan pemotongan lurus yang sangat akurat. Cukup dengan menggeser pembatas belahan ke atas dengan rapi berlawanan dengan sisi benda kerja dan amankan posisinya dengan sekrup di bagian depan dudukan. Pembatas belahan juga dapat membuat potongan berulang dari lebar yang seragam.

## Sambungan gantungan tali (strap penambat)

### ⚠ Peringatan keselamatan khusus untuk penggunaan di ketinggian

Bacalah semua peringatan dan petunjuk keselamatan. Kelalaian untuk mengikuti peringatan dan petunjuk dapat menyebabkan cedera serius.

1. **Selalu jaga mesin agar tertambat ketika bekerja “di ketinggian”.** Panjang gantungan tali maksimum 2 m (6,5 kaki). Tinggi jatuh maksimum yang diizinkan untuk gantungan tali (strap penambat) tidak boleh lebih dari 2 m (6,5 kaki).
2. **Hanya gunakan gantungan tali yang sesuai untuk jenis mesin ini dan kuat setidaknya untuk beban 4,0 kg (8,8 lbs).**
3. **Jangan kaitkan gantungan tali mesin ke bagian tubuh Anda mana pun atau pada komponen yang bergerak.** Kaitkan gantungan tali mesin ke struktur yang kuat dan dapat menopang daya beban saat alat terjatuh.

4. **Pastikan gantungan tali terpasang dengan baik di setiap ujungnya sebelum penggunaan.**
  5. **Periksa mesin dan gantungan tali sebelum setiap penggunaan untuk memeriksa kerusakan dan memastikan fungsi yang baik (termasuk bahan dan jahitan).** Jangan gunakan jika rusak atau tidak berfungsi dengan baik.
  6. **Jangan membungkus gantungan tali atau membiarkannya bersentuhan dengan tepian yang tajam atau kasar.**
  7. **Kencangkan ujung lainnya dari gantungan tali di luar area kerja sehingga mesin yang jatuh dapat ditahan dengan aman.**
  8. **Pasang gantungan tali sehingga mesin akan menjauhi operator jika mesin terjatuh.** Mesin yang terjatuh akan mengayun pada gantungan tali, dan dapat menyebabkan cedera atau hilangnya keseimbangan.
  9. **Jangan gunakan di balik komponen yang bergerak atau mesin yang berjalan.** Kelalaian dalam melakukannya dapat mengakibatkan tabrakan atau bahaya tersangkut.
  10. **Jangan membawa mesin dengan perangkat tambahan atau gantungan tali.**
  11. **Pindahkan mesin di antara tangan hanya saat Anda memiliki keseimbangan yang baik.**
  12. **Jangan pasang gantungan tali ke mesin dengan cara yang dapat menghalangi pelindung, switch, atau pengunci untuk beroperasi dengan baik.**
  13. **Jangan sampai tersangkut di dalam gantungan tali.**
  14. **Jauhkan gantungan tali dari area pemotongan mesin.**
  15. **Gunakan carabiner tipe gate dengan pengunci dan multi-tindakan.** Jangan gunakan carabiner dengan klip pegas dan tindakan tunggal.
  16. **Apabila terjatuh, mesin harus ditandai dan disingkirkan dari layanan, dan harus diperiksa oleh Makita Factory atau Pusat Layanan Resmi.**
- **Gbr.32:** 1. Lubang untuk gantungan tali (strap penambat)

## FUNGSI PENGAKTIFAN NIRKABEL

Hanya untuk DHS661

## Kegunaan dari fungsi pengaktifan nirkabel

Fungsi pengaktifan nirkabel memungkinkan pengoperasian yang bersih dan nyaman. Dengan menyambungkan pengisap debu yang didukung ke mesin, Anda dapat menjalankan pengisap debu secara otomatis bersama dengan pengoperasian sakelar mesin.

- **Gbr.33**

Untuk menggunakan fungsi pengaktifan nirkabel, siapkan item-item berikut:

- Unit nirkabel (pilihan aksesoris)
- Pengisap debu yang mendukung fungsi pengaktifan nirkabel

Berikut ialah gambaran umum mengenai pengaturan fungsi pengaktifan nirkabel. Lihat pada masing-masing bagian untuk prosedur terperinci.

1. Memasang unit nirkabel
2. Registrasi mesin untuk pengisap debu
3. Memulai fungsi pengaktifan nirkabel

## Memasang unit nirkabel

### Pilihan Aksesoris

**PERHATIAN:** Letakkan mesin pada permukaan yang datar dan stabil pada saat memasang unit nirkabel.

**PEMBERITAHUAN:** Bersihkan debu dan kotoran yang menempel pada mesin sebelum memasang unit nirkabel. Debu atau kotoran dapat mengakibatkan malafungsi jika masuk ke dalam celah unit nirkabel.

**PEMBERITAHUAN:** Untuk mencegah terjadinya malafungsi yang disebabkan oleh listrik statis, sentuh bahan yang melepaskan muatan listrik statis, seperti bagian logam pada mesin, sebelum mengambil unit nirkabel.

**PEMBERITAHUAN:** Ketika memasang unit nirkabel, selalu pastikan bahwa unit nirkabel dimasukkan dengan arah yang benar dan penutup telah benar-benar ditutup.

1. Buka penutup pada mesin sebagaimana yang ditunjukkan dalam gambar.

► **Gbr.34:** 1. Penutup

2. Masukkan unit nirkabel ke celah dan kemudian tutup penutup.

Ketika memasang unit nirkabel, sejajarkan proyeksi dengan bagian-bagian ceruk pada celah.

► **Gbr.35:** 1. Unit nirkabel 2. Proyeksi 3. Penutup 4. Bagian-bagian ceruk

Ketika melepaskan unit nirkabel, buka penutup secara perlahan. Kait pada bagian belakang penutup akan mengangkat unit nirkabel ketika Anda menarik penutup.

► **Gbr.36:** 1. Unit nirkabel 2. Kait 3. Penutup

Setelah melepaskan unit nirkabel, simpan unit dalam kotak yang disediakan atau wadah bebas listrik statis.

**PEMBERITAHUAN:** Selalu gunakan kait pada bagian belakang penutup pada saat melepaskan unit nirkabel. Jika kait tidak mengenai unit nirkabel, tutup penutup sepenuhnya dan buka kembali secara perlahan.

## Registrasi mesin untuk pengisap debu

**CATATAN:** Pengisap debu Makita yang mendukung fungsi pengaktifan nirkabel diperlukan untuk registrasi mesin.

**CATATAN:** Selesaikan pemasangan unit nirkabel ke mesin sebelum memulai registrasi mesin.

**CATATAN:** Selama registrasi mesin, jangan menarik pelatuk sakelar atau menghidupkan sakelar daya pada pengisap debu.

**CATATAN:** Lihat juga petunjuk penggunaan pengisap debu.

Jika Anda ingin mengaktifkan pengisap debu bersama dengan pengoperasian sakelar mesin, selesaikan registrasi mesin terlebih dahulu.

1. Pasang baterai ke pengisap debu dan mesin.

2. Setel sakelar siaga pada pengisap debu ke "AUTO".

► **Gbr.37:** 1. Sakelar siaga

3. Tekan tombol pengaktifan nirkabel pada pengisap debu selama 3 detik hingga lampu pengaktifan nirkabel berkedip menjadi warna hijau. Kemudian tekan tombol pengaktifan nirkabel pada mesin dengan cara yang sama.

► **Gbr.38:** 1. Tombol pengaktifan nirkabel 2. Lampu pengaktifan nirkabel

Jika pengisap debu dan mesin berhasil tersambung, lampu pengaktifan nirkabel akan menyala hijau selama 2 detik dan mulai berkedip dalam warna biru.

**CATATAN:** Lampu pengaktifan nirkabel akan berhenti berkedip dalam warna hijau setelah 20 detik. Tekan tombol pengaktifan nirkabel pada mesin ketika lampu pengaktifan nirkabel pada pembersih berkedip. Jika lampu pengaktifan nirkabel tidak berkedip dalam warna hijau, tekan tombol pengaktifan nirkabel sebentar dan tahan kembali.

**CATATAN:** Ketika melakukan registrasi beberapa mesin untuk satu pengisap debu, selesaikan registrasi mesin satu demi satu.

## Memulai fungsi pengaktifan nirkabel

**CATATAN:** Selesaikan registrasi mesin untuk pengisap debu sebelum pengaktifan nirkabel.

**CATATAN:** Lihat juga petunjuk penggunaan pengisap debu.

Setelah registrasi mesin ke pengisap debu, pengisap debu akan secara otomatis bekerja bersama dengan pengoperasian sakelar mesin.

1. Pasang unit nirkabel ke mesin.

2. Sambungkan selang pengisap debu dengan mesin.

► **Gbr.39**

3. Setel sakelar siaga pada pengisap debu ke "AUTO".

► **Gbr.40:** 1. Sakelar siaga

4. Tekan sebentar tombol pengaktifan nirkabel pada mesin. Lampu pengaktifan nirkabel akan berkedip dalam warna biru.

► **Gbr.41:** 1. Tombol pengaktifan nirkabel 2. Lampu pengaktifan nirkabel

5. Tarik pelatuk sakelar pada mesin. Periksa apakah pengisap debu bekerja ketika pelatuk sakelar ditarik. Untuk menghentikan pengaktifan nirkabel pada pengisap debu, tekan tombol pengaktifan nirkabel pada mesin.

**CATATAN:** Lampu pengaktifan nirkabel pada mesin akan berhenti berkedip dalam warna biru jika tidak ada pengoperasian selama 2 jam. Dalam kasus ini, setel sakelar siaga pada pengisap debu ke "AUTO" dan tekan kembali tombol pengaktifan nirkabel pada mesin.

**CATATAN:** Pengisap debu akan mulai/berhenti dengan jeda. Ada jeda waktu ketika pengisap debu mendeteksi adanya pengoperasian sakelar mesin.




**CATATAN:** Jarak transmisi unit nirkabel dapat berbeda, tergantung lokasi dan keadaan sekitar.

**CATATAN:** Ketika beberapa mesin teregistrasi ke satu pengisap debu, pengisap debu dapat mulai bekerja walaupun Anda tidak menarik pelatuk sakelar karena pengguna lain sedang menggunakan fungsi pengaktifan nirkabel.

## Deskripsi mengenai status lampu pengaktifan nirkabel

► **Gbr.42:** 1. Lampu pengaktifan nirkabel

Lampu pengaktifan nirkabel menunjukkan status dari fungsi pengaktifan nirkabel. Lihat pada tabel di bawah untuk mengetahui arti dari status lampu.

Status	Lampu pengaktifan nirkabel			Durasi	Deskripsi
	Warna	 Menyala	 Berkedip		
Siaga	Biru		2 jam	Tersedia pengaktifan nirkabel pada pengisap debu. Lampu akan mati secara otomatis ketika tidak ada pengoperasian yang dilakukan selama 2 jam.	
			Ketika mesin bekerja.	Tersedia pengaktifan nirkabel pada pengisap debu dan mesin bekerja.	
Registrasi mesin	Hijau		20 detik	Siap untuk registrasi mesin. Menunggu registrasi oleh pengisap debu.	
			2 detik	Registrasi mesin telah selesai. Lampu pengaktifan nirkabel akan mulai berkedip dalam warna biru.	
Membatalkan registrasi mesin	Merah		20 detik	Siap untuk membatalkan registrasi mesin. Menunggu untuk dibatalkan oleh pengisap debu.	
			2 detik	Pembatalan registrasi mesin telah selesai. Lampu pengaktifan nirkabel akan mulai berkedip dalam warna biru.	
Lainnya	Merah		3 detik	Daya dialirkan ke unit nirkabel dan fungsi pengaktifan nirkabel dimulai.	
	Mati	-	-	Pengaktifan nirkabel pada pengisap debu dihentikan.	

## Membatalkan registrasi mesin untuk pengisap debu

Lakukan prosedur berikut ketika membatalkan registrasi mesin untuk pengisap debu.

1. Pasang baterai ke pengisap debu dan mesin.
2. Setel sakelar siaga pada pengisap debu ke "AUTO".

► **Gbr.43:** 1. Sakelar siaga

3. Tekan tombol pengaktifan nirkabel pada pengisap debu selama 6 detik. Lampu pengaktifan nirkabel berkedip dalam warna hijau dan kemudian akan menjadi merah. Setelah itu, tekan tombol pengaktifan nirkabel pada mesin dengan cara yang sama.

► **Gbr.44:** 1. Tombol pengaktifan nirkabel 2. Lampu pengaktifan nirkabel

Jika pembatalan berhasil dilakukan, lampu pengaktifan nirkabel akan menyala dalam warna merah selama 2 detik dan mulai berkedip dalam warna biru.

**CATATAN:** Lampu pengaktifan nirkabel berhenti berkedip dalam warna merah setelah 20 detik. Tekan tombol pengaktifan nirkabel pada mesin ketika lampu pengaktifan nirkabel pada pembersih berkedip. Jika lampu pengaktifan nirkabel tidak berkedip dalam warna merah, tekan tombol pengaktifan nirkabel sebentar dan tahan kembali.

## Pemecahan masalah fungsi pengaktifan nirkabel

Sebelum meminta perbaikan, lakukan pemeriksaan mandiri terlebih dahulu. Jika Anda menemukan masalah yang tidak dijelaskan dalam buku petunjuk ini, jangan coba membongkar mesin. Sebaliknya, hubungi Pusat Servis Resmi Makita, dan selalu gunakan suku cadang pengganti Makita untuk perbaikan.

Keadaan Tidak Normal	Kemungkinan penyebab (kerusakan fungsi)	Perbaikan
Lampu pengaktifan nirkabel tidak menyala/berkedip.	Unit nirkabel tidak dipasang ke dalam mesin. Unit nirkabel tidak dipasang dengan benar ke dalam mesin.	Pasang unit nirkabel dengan benar.
	Terminal unit nirkabel dan/atau celah kotor.	Bersihkan dengan lembut debu dan kotoran yang terdapat pada terminal unit nirkabel dan bersihkan celah.
	Tombol pengaktifan nirkabel pada mesin belum ditekan.	Tekan sebentar tombol pengaktifan nirkabel pada mesin.
	Sakelar siaga pada pengisap debu tidak disetel ke "AUTO".	Setel sakelar siaga pada pengisap debu ke "AUTO".
	Tidak ada pasokan daya	Alirkan daya ke mesin dan pengisap debu.
Tidak dapat menyelesaikan registrasi mesin/pembatalan registrasi mesin.	Unit nirkabel tidak dipasang ke dalam mesin. Unit nirkabel tidak dipasang dengan benar ke dalam mesin.	Pasang unit nirkabel dengan benar.
	Terminal unit nirkabel dan/atau celah kotor.	Bersihkan dengan lembut debu dan kotoran yang terdapat pada terminal unit nirkabel dan bersihkan celah.
	Sakelar siaga pada pengisap debu tidak disetel ke "AUTO".	Setel sakelar siaga pada pengisap debu ke "AUTO".
	Tidak ada pasokan daya	Alirkan daya ke mesin dan pengisap debu.
	Pengoperasian salah	Tekan sejenak tombol pengaktifan nirkabel dan lakukan kembali prosedur registrasi mesin/pembatalan.
	Mesin dan pengisap debu saling berjauhan satu sama lain (di luar jangkauan transmisi).	Dekatkan mesin dan pengisap debu satu sama lain. Jarak transmisi maksimum adalah sekitar 10 m, tetapi jarak dapat berbeda sesuai dengan keadaan.
	Sebelum menyelesaikan registrasi mesin/pembatalan; - pelatuk sakelar pada mesin ditarik, atau; - tombol daya pada pengisap debu dinyalakan.	Tekan sejenak tombol pengaktifan nirkabel dan lakukan kembali prosedur registrasi mesin/pembatalan.
	Prosedur registrasi mesin untuk mesin atau pengisap debu belum selesai.	Lakukan prosedur registrasi mesin untuk mesin dan pengisap debu di waktu yang sama.
Gangguan radio oleh perangkat lain yang menghasilkan gelombang radio intensitas tinggi.	Jauhkan mesin dan pengisap debu dari perangkat seperti perangkat Wi-Fi dan oven microwave.	



Keadaan Tidak Normal	Kemungkinan penyebab (kerusakan fungsi)	Perbaikan
Pemisap debu tidak bekerja bersama dengan pengoperasian sakelar mesin.	Unit nirkabel tidak dipasang ke dalam mesin. Unit nirkabel tidak dipasang dengan benar ke dalam mesin.	Pasang unit nirkabel dengan benar.
	Terminal unit nirkabel dan/atau celah kotor.	Bersihkan dengan lembut debu dan kotoran yang terdapat pada terminal unit nirkabel dan bersihkan celah.
	Tombol pengaktifan nirkabel pada mesin belum ditekan.	Tekan sejenak tombol pengaktifan nirkabel dan pastikan lampu pengaktifan nirkabel berkedip dalam warna biru.
	Sakelar siaga pada pemisap debu tidak disetel ke "AUTO".	Setel sakelar siaga pada pemisap debu ke "AUTO".
	Lebih dari 10 mesin teregistrasi ke pemisap debu.	Lakukan kembali registrasi mesin. Jika lebih dari 10 mesin teregistrasi ke pemisap debu, mesin yang teregistrasi paling awal akan dibatalkan secara otomatis.
	Pemisap debu menghapus semua registrasi mesin.	Lakukan kembali registrasi mesin.
	Tidak ada pasokan daya	Alirkan daya ke mesin dan pemisap debu.
	Mesin dan pemisap debu saling berjauhan satu sama lain (di luar jangkauan transmisi).	Dekatkan mesin dan pemisap debu satu sama lain. Jarak transmisi maksimum adalah sekitar 10 m, tetapi jarak dapat berbeda sesuai dengan keadaan.
Pemisap debu bekerja ketika pelatuk sakelar mesin tidak ditarik.	Gangguan radio oleh perangkat lain yang menghasilkan gelombang radio intensitas tinggi.	Jauhkan mesin dan pemisap debu dari perangkat seperti perangkat Wi-Fi dan oven microwave.
	Pengguna lain sedang menggunakan pengaktifan nirkabel pemisap debu dengan mesin mereka.	Matikan tombol pengaktifan nirkabel dari mesin lain atau batalkan registrasi mesin dari mesin lain.

## PERAWATAN

**⚠️ PERHATIAN:** Selalu pastikan bahwa mesin dimatikan dan kartrid baterai dilepas sebelum melakukan pemeriksaan atau perawatan.

**⚠️ PERHATIAN:** Bersihkan pelindung bagian atas dan bawah untuk memastikan tidak ada serbuk gergaji terakumulasi yang dapat mengganggu pengoperasian dari sistem perlindungan bagian bawah. Sistem perlindungan yang kotor dapat membatasi operasi yang tepat yang dapat menghasilkan cedera serius. Cara paling efektif untuk menyelesaikan pembersihan ini yaitu dengan udara terkompresi. Jika debu keluar dari pelindung, pastikan Anda sedang menggunakan pelindung mata dan pernapasan yang tepat.

**⚠️ PEMBERITAHUAN:** Jangan sekali-kali menggunakan bensin, tiner, alkohol, atau bahan sejenisnya. Penggunaan bahan demikian dapat menyebabkan perubahan warna, perubahan bentuk atau timbulnya retakan.

Untuk menjaga KEAMANAN dan KEANDALAN mesin, perbaikan, perawatan atau penyetelan lainnya harus dilakukan oleh Pusat Layanan Resmi atau Pabrik Makita; selalu gunakan suku cadang pengganti buatan Makita.

## Menyetel akurasi pemotongan 0° atau pemotongan 45°

Penyetelan ini telah dilakukan di pabrik. Namun, jika belum disetel, Anda dapat menyetel dengan mengikuti prosedur berikut.

1. Kendurkan tuas dan sekrup penjepit pada bagian depan dan belakang mesin sehingga sudut siku-siku dapat diubah. Atur penahan ke posisi sudut siku-siku 0° - 45° jika Anda ingin menyetel akurasi pemotongan 45°.  
▶ **Gbr.45:** 1. Penahan
2. Buat dudukan tegak lurus atau 45° dari mata gergaji bundar menggunakan penggaris segitiga dengan memutar sekrup penyetel menggunakan kunci L. Anda juga dapat menggunakan penggaris siku untuk menyetel sudut 0°.  
▶ **Gbr.46:** 1. Penggaris segitiga  
▶ **Gbr.47:** 1. Sekrup penyetel untuk sudut 0°  
2. Sekrup penyetel untuk sudut 45°
3. Kencangkan tuas dan sekrup penjepit kemudian lakukan uji pemotongan untuk memastikan sudut yang diinginkan telah tercapai.

## Menyetel paralelisme

Penyetelan ini telah dilakukan di pabrik. Namun, jika belum disetel, Anda dapat menyetel dengan mengikuti prosedur berikut.

1. Atur mesin ke kedalaman pemotongan maksimum.
2. Pastikan semua tuas dan sekrup dikencangkan. Perlahan kendurkan sekrup seperti yang diilustrasikan.  
► **Gbr.48:** 1. Sekrup 2. Dudukan
3. Saat membuka pelindung bawah, pindahkan dudukan belakang sehingga jarak A dan B menjadi sama.
4. Kencangkan sekrup dan lakukan uji pemotongan untuk memastikan kesejajaran.

## AKSESORI PILIHAN

**⚠ PERHATIAN:** Dianjurkan untuk menggunakan aksesoris atau perangkat tambahan ini dengan mesin Makita Anda yang ditentukan dalam petunjuk ini. Penggunaan aksesoris atau perangkat tambahan lain bisa menyebabkan risiko cedera pada manusia. Hanya gunakan aksesoris atau perangkat tambahan sesuai dengan peruntukannya.

Jika Anda memerlukan bantuan lebih rinci berkenaan dengan aksesoris ini, tanyakan pada Pusat Layanan Makita terdekat.

- Mata gergaji bundar
- Pembatas belahan (Mistar pemandu)
- Kait
- Rel pemandu
- Panduan siku-siku
- Penjepit
- Lembaran
- Lembaran karet
- Lembaran posisi
- Adaptor rel pemandu
- Bilah penggaris
- Nosel debu
- Kunci L
- Unit nirkabel (untuk DHS661)
- Baterai dan pengisi daya asli buatan Makita

**CATATAN:** Beberapa item dalam daftar tersebut mungkin sudah termasuk dalam paket mesin sebagai aksesoris standar. Hal tersebut dapat berbeda dari satu negara ke negara lainnya.

## THÔNG SỐ KỸ THUẬT

Kiểu máy:	DHS660	DHS661
Đường kính lưỡi cưa	165 mm	
Chiều sâu cắt tối đa	ở 0°	57 mm
	ở góc xiên 45°	41 mm
	ở góc xiên 50°	37 mm
Tốc độ không tải	5.000 min <sup>-1</sup>	
Chiều dài tổng thể	270 mm	
Điện áp định mức	18 V một chiều	
Khối lượng tịnh	2,9 - 3,2 kg	

- Do chương trình nghiên cứu và phát triển liên tục của chúng tôi nên các thông số kỹ thuật trong đây có thể thay đổi mà không cần thông báo trước.
- Các thông số kỹ thuật và hộp pin có thể thay đổi tùy theo từng quốc gia.
- Khối lượng có thể khác nhau tùy thuộc vào (các) phụ kiện, bao gồm cả hộp pin. Tổ hợp nhẹ nhất và nặng nhất, theo Quy trình EPTA 01/2014, được trình bày trong bảng.

## Hộp pin và sạc pin có thể áp dụng

Hộp pin	BL1815N / BL1820 / BL1820B / BL1830 / BL1830B / BL1840 / BL1840B / BL1850 / BL1850B / BL1860B
Bộ sạc	DC18RC / DC18RD / DC18RE / DC18SD / DC18SE / DC18SF / DC18SH

- Một số hộp pin và sạc pin được nêu trong danh sách ở trên có thể không khả dụng tùy thuộc vào khu vực cư trú của bạn.

**⚠ CẢNH BÁO:** Chỉ sử dụng hộp pin và sạc pin được nêu trong danh sách ở trên. Việc sử dụng bất cứ hộp pin và sạc pin nào khác có thể gây ra thương tích và/hoặc hỏa hoạn.

## Ký hiệu

Phần dưới đây cho biết các ký hiệu có thể được dùng cho thiết bị. Đảm bảo rằng bạn hiểu rõ ý nghĩa của các ký hiệu này trước khi sử dụng.



Đọc tài liệu hướng dẫn.



Ni-MH  
Li-Ion

Chỉ dành cho các quốc gia EU  
Không thải bỏ thiết bị điện hoặc bộ pin cùng với các chất thải sinh hoạt!  
Để tuân thủ các Chỉ thị của Châu Âu về thiết bị điện và điện tử thải bỏ, và về pin và ắc quy và pin và ắc quy thải bỏ, và thi hành những chỉ thị này phù hợp với luật lệ quốc gia, các thiết bị điện tử và pin và (các) bộ pin không còn sử dụng được nữa phải được thu nhặt riêng và đưa trở lại một cơ sở tái chế tương thích với môi trường.

## Mục đích sử dụng

Dụng cụ được dùng để thực hiện cắt thẳng theo chiều dọc và theo đường chéo góc, cắt vát góc trên gỗ trong khi tiếp xúc với phôi gia công.

## CẢNH BÁO AN TOÀN

### Cảnh báo an toàn chung dành cho dụng cụ máy

**⚠ CẢNH BÁO:** Xin đọc tất cả các cảnh báo an toàn, hướng dẫn, minh họa và thông số kỹ thuật đi kèm với dụng cụ máy này. Việc không tuân theo các hướng dẫn được liệt kê dưới đây có thể dẫn đến điện giật, hỏa hoạn và/hoặc thương tích nghiêm trọng.

### Lưu giữ tất cả cảnh báo và hướng dẫn để tham khảo sau này.

Thuật ngữ “dụng cụ máy” trong các cảnh báo đề cập đến dụng cụ máy (có dây) được vận hành bằng nguồn điện chính hoặc dụng cụ máy (không dây) được vận hành bằng pin của bạn.

#### An toàn tại nơi làm việc

1. **Giữ nơi làm việc sạch sẽ và có đủ ánh sáng.**  
Nơi làm việc bừa bộn hoặc tối thường dễ gây ra tai nạn.

2. **Không vận hành dụng cụ máy trong môi trường cháy nổ, ví dụ như môi trường có sự hiện diện của các chất lỏng, khí hoặc bụi dễ cháy.** Các dụng cụ máy tạo tia lửa điện có thể làm bụi hoặc khí bốc cháy.
3. **Giữ trẻ em và người ngoài tránh xa nơi làm việc khi đang vận hành dụng cụ máy.** Sự xao lãng có thể khiến bạn mất khả năng kiểm soát.

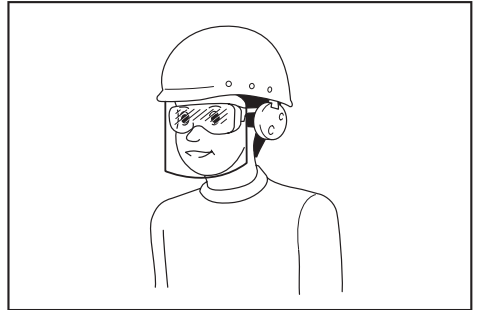
#### An toàn về Điện

1. **Phích cắm của dụng cụ máy phải khớp với ổ cắm. Không được sửa đổi phích cắm theo bất kỳ cách nào. Không sử dụng bất kỳ phích chuyển đổi nào với các dụng cụ máy được nối đất (tiếp đất).** Các phích cắm còn nguyên vẹn và ổ cắm phù hợp sẽ giảm nguy cơ điện giật.
2. **Tránh để cơ thể tiếp xúc với các bề mặt nổi đất hoặc tiếp đất như đường ống, bộ tản nhiệt, bếp ga và tủ lạnh.** Nguy cơ bị điện giật sẽ tăng lên nếu cơ thể bạn được nối đất hoặc tiếp đất.
3. **Không để dụng cụ máy tiếp xúc với mưa hoặc trong điều kiện ẩm ướt.** Nước lọt vào dụng cụ máy sẽ làm tăng nguy cơ điện giật.
4. **Không lạm dụng dây điện. Không được phép sử dụng dây để mang, kéo hoặc tháo phích cắm dụng cụ máy. Giữ dây tránh xa nguồn nhiệt, dầu, các mép sắc hoặc các bộ phận chuyển động.** Dây bị hỏng hoặc bị rối sẽ làm tăng nguy cơ điện giật.
5. **Khi vận hành dụng cụ máy ngoài trời, hãy sử dụng dây kéo dài phù hợp cho việc sử dụng ngoài trời.** Việc dùng dây phù hợp cho việc sử dụng ngoài trời sẽ giảm nguy cơ điện giật.
6. **Nếu bắt buộc phải vận hành dụng cụ máy ở nơi ẩm ướt, hãy sử dụng nguồn cấp điện được bảo vệ bằng thiết bị ngắt dòng điện rò (RCD).** Việc sử dụng RCD sẽ làm giảm nguy cơ điện giật.
7. **Các dụng cụ máy có thể tạo ra từ trường điện (EMF) có hại cho người dùng.** Tuy nhiên, người dùng máy trợ tim và những thiết bị y tế tương tự khác nên liên hệ với nhà sản xuất thiết bị và/hoặc bác sỹ để được tư vấn trước khi vận hành dụng cụ này.

#### An toàn Cá nhân

1. **Luôn tỉnh táo, quan sát những việc bạn đang làm và sử dụng những phán đoán theo kinh nghiệm khi vận hành dụng cụ máy. Không sử dụng dụng cụ máy khi bạn đang mệt mỏi hoặc chịu ảnh hưởng của ma túy, rượu hay thuốc.** Chỉ một khoảnh khắc không tập trung khi đang vận hành dụng cụ máy cũng có thể dẫn đến thương tích cá nhân nghiêm trọng.
2. **Sử dụng thiết bị bảo hộ cá nhân. Luôn đeo thiết bị bảo vệ mắt.** Các thiết bị bảo hộ như mặt nạ chống bụi, giày an toàn chống trượt, mũ bảo hộ hay thiết bị bảo vệ thính giác được sử dụng trong các điều kiện thích hợp sẽ giúp giảm thương tích cá nhân.
3. **Tránh vô tình khởi động dụng cụ máy. Đảm bảo công tắc ở vị trí off (tắt) trước khi nối nguồn điện và/hoặc bộ pin, cắm hoặc di chuyển dụng cụ máy.** Việc di chuyển dụng cụ máy khi đang đặt ngón tay ở vị trí công tắc hoặc cấp điện cho dụng cụ máy đang bật thường dễ gây ra tai nạn.

4. **Tháo tất cả các khóa hoặc cờ lê điều chỉnh trước khi bật dụng cụ máy.** Việc cờ lê hoặc khóa vẫn còn gắn vào bộ phận quay của dụng cụ máy có thể dẫn đến thương tích cá nhân.
5. **Không vớ quá cao. Luôn giữ thẳng bằng tốt và có chỗ để chân phù hợp.** Điều này cho phép điều khiển dụng cụ máy tốt hơn trong những tình huống bất ngờ.
6. **Ăn mặc phù hợp. Không mặc quần áo rộng hay đeo đồ trang sức. Giữ tóc và quần áo tránh xa các bộ phận chuyển động.** Quần áo rộng, đồ trang sức hay tóc dài có thể mắc vào các bộ phận chuyển động.
7. **Nếu các thiết bị được cung cấp để kết nối các thiết bị thu gom và hút bụi, hãy đảm bảo chúng được kết nối và sử dụng hợp lý.** Việc sử dụng thiết bị thu gom bụi có thể làm giảm những mối nguy hiểm liên quan đến bụi.
8. **Không vì quen thuộc do thường xuyên sử dụng các dụng cụ mà cho phép bạn trở nên tự mãn và bỏ qua các nguyên tắc an toàn dụng cụ.** Một hành động bất cẩn có thể gây ra thương tích nghiêm trọng trong một phần của một giây.
9. **Luôn luôn mang kính bảo hộ để bảo vệ mắt khỏi bị thương khi đang sử dụng các dụng cụ máy. Kính bảo hộ phải tuân thủ ANSI Z87.1 ở Mỹ, EN 166 ở Châu Âu, hoặc AS/NZS 1336 ở Úc/New Zealand. Tại Úc/New Zealand, theo luật pháp, bạn cũng phải mang mặt nạ che mặt để bảo vệ mặt.**



**Trách nhiệm của chủ lao động là bắt buộc người vận hành dụng cụ và những người khác trong khu vực làm việc cạnh đó phải sử dụng các thiết bị bảo hộ an toàn thích hợp.**

#### Sử dụng và bảo quản dụng cụ máy

1. **Không dùng lực đối với dụng cụ máy. Sử dụng đúng dụng cụ máy cho công việc của bạn.** Sử dụng đúng dụng cụ máy sẽ giúp tiết kiệm công việc tốt hơn và an toàn hơn theo giá trị định mức được thiết kế của dụng cụ máy đó.
2. **Không sử dụng dụng cụ máy nếu công tắc không bật và tắt được dụng cụ máy đó.** Mọi dụng cụ máy không thể điều khiển được bằng công tắc đều rất nguy hiểm và phải được sửa chữa.

- Rút phích cắm ra khỏi nguồn điện và/hoặc tháo kết nối bộ pin khỏi dụng cụ máy, nếu có thể tháo rời trước khi thực hiện bất kỳ công việc điều chỉnh, thay đổi phụ tùng hay cất giữ dụng cụ máy nào.** Những biện pháp an toàn phòng ngừa này sẽ giảm nguy cơ vô tình khởi động dụng cụ máy.
- Cất giữ các dụng cụ máy không sử dụng ngoài tầm với của trẻ em và không cho bất kỳ người nào không có hiểu biết về dụng cụ máy hoặc các hướng dẫn này vận hành dụng cụ máy.** Dụng cụ máy sẽ rất nguy hiểm nếu được sử dụng bởi những người dùng chưa qua đào tạo.
- Bảo dưỡng dụng cụ máy và các phụ kiện.** Kiểm tra tình trạng lịch trực hoặc bộ kẹp của các bộ phận chuyển động, hiện tượng nứt vỡ của các bộ phận và mọi tình trạng khác mà có thể ảnh hưởng đến hoạt động của dụng cụ máy. Nếu có hỏng hóc, hãy sửa chữa dụng cụ máy trước khi sử dụng. Nhiều tai nạn xảy ra là do không bảo quản tốt dụng cụ máy.
- Luôn giữ cho dụng cụ cất được sắc bén và sạch sẽ.** Những dụng cụ cất được bảo quản tốt có mức cất sắc sẽ ít bị kẹt hơn và dễ điều khiển hơn.
- Sử dụng dụng cụ máy, phụ tùng và đầu dụng cụ cắt, v.v... theo các hướng dẫn này, có tính đến điều kiện làm việc và công việc được thực hiện.** Việc sử dụng dụng cụ máy cho các công việc khác với công việc dự định có thể gây nguy hiểm.
- Giữ tay cầm và bề mặt tay cầm khô, sạch, không dính dầu và mỡ.** Tay cầm trơn trượt và bề mặt tay cầm không cho phép lấy an toàn và kiểm soát dụng cụ trong các tình huống bất ngờ.
- Khi sử dụng dụng cụ, không được đi giày tay lao động bằng vải, có thể bị vướng.** Việc giày tay lao động bằng vải vướng vào các bộ phận chuyển động có thể gây ra thương tích cá nhân.

- Không để bộ pin hoặc dụng cụ tiếp xúc với lửa hoặc nhiệt độ quá cao.** Tiếp xúc với lửa hoặc nhiệt độ trên 130 °C có thể gây ra cháy nổ.
- Làm theo tất cả các hướng dẫn sạc pin và không được sạc bộ pin hoặc dụng cụ vượt giới hạn nhiệt độ quy định trong hướng dẫn.** Sạc pin không đúng hoặc ở nhiệt độ vượt giới hạn nhiệt độ có thể gây hư hỏng cho pin và làm tăng nguy cơ cháy.

- Sử dụng và bảo quản dụng cụ dùng pin**
- Chỉ sạc pin lại với bộ sạc do nhà sản xuất quy định.** Bộ sạc phù hợp với một loại bộ pin này có thể gây ra nguy cơ hỏa hoạn khi được dùng cho một bộ pin khác.
  - Chỉ sử dụng các dụng cụ máy với các bộ pin được quy định cụ thể.** Việc sử dụng bất cứ bộ pin nào khác có thể gây ra thương tích và hỏa hoạn.
  - Khi không sử dụng bộ pin, hãy giữ tránh xa các đồ vật khác bằng kim loại, chẳng hạn như kẹp giấy, tiền xu, chìa khóa, đinh, ốc vít hoặc các vật nhỏ bằng kim loại mà có thể làm nối tắt các đầu cực pin.** Các đầu cực pin bị đoản mạch có thể gây cháy hoặc hỏa hoạn.
  - Trong điều kiện sử dụng quá mức, pin có thể bị chảy nước; hãy tránh tiếp xúc.** Nếu vô tình tiếp xúc với pin bị chảy nước, hãy rửa sạch bằng nước. Nếu dung dịch từ pin tiếp xúc với mắt, cần đi khám bác sĩ thêm. Dung dịch chảy ra từ pin có thể gây rát da hoặc bỏng.
  - Không sử dụng bộ pin hoặc dụng cụ bị hư hỏng hoặc đã bị sửa đổi.** Pin đã bị hư hỏng hoặc đã bị sửa đổi có thể hành động theo cách không thể đoán trước dẫn đến cháy, nổ hoặc nguy cơ chấn thương.

### Bảo dưỡng

- Đề nghị viên sửa chữa đủ trình độ bảo dưỡng dụng cụ máy của bạn và chỉ sử dụng các bộ phận thay thế đồng nhất.** Việc này sẽ đảm bảo duy trì được độ an toàn của dụng cụ máy.
- Không bao giờ sử dụng bộ pin đã hỏng.** Dịch vụ bảo hành bộ pin chỉ nên thực hiện bởi nhà sản xuất hoặc các nhà cung cấp dịch vụ được ủy quyền.
- Tuân theo hướng dẫn dành cho việc bôi trơn và thay phụ tùng.**

## Cảnh báo an toàn cho máy cưa đĩa chạy pin

### Quy trình cắt

- ▲ NGUY HIỂM: Đề tay tránh xa khu vực cắt và lưỡi cắt.** Đề tay thứ hai của bạn lên tay cầm phụ hoặc vô động cơ. Nếu cầm cưa bằng cả hai tay thì lưỡi cắt sẽ không thể cắt vào tay.
- Không đưa tay xuống bên dưới phôi gia công.** Phần bảo vệ không thể bảo vệ bạn khỏi lưỡi cắt ở bên dưới phôi gia công.
- Điều chỉnh độ sâu cắt theo độ dày của phôi gia công.** Phải thấy được một phần răng cưa phía dưới phôi gia công.
- Không được cầm phôi gia công trong tay hoặc để chèo vào chân bạn khi cắt.** Cố định phôi gia công theo một bề vững chắc. Điều quan trọng là phải đỡ phôi gia công đúng cách để giảm thiểu khả năng tiếp xúc với cơ thể, hiện tượng bó kẹt lưỡi cắt hoặc mất kiểm soát.

### ► Hình 1

- Cầm dụng cụ máy bằng bề mặt tay cầm cách điện khi thực hiện một thao tác trong đó dụng cụ cắt có thể tiếp xúc với dây điện ngầm.** Tiếp xúc với dây dẫn "có điện" có thể khiến các bộ phận kim loại bị hở của dụng cụ máy "có điện" và có thể làm cho người vận hành bị điện giật.
- Khi cắt dọc, luôn sử dụng thanh cữ hoặc thước dẫn hướng thẳng.** Điều này giúp cải thiện độ chính xác của đường cắt và giảm nguy cơ bó kẹt lưỡi cắt.
- Luôn sử dụng lưỡi cắt có kích thước và hình dạng (hình thoi và hình tròn) của lỗ tâm chính xác.** Những lưỡi cắt không khớp với phần cứng lắp ráp của cưa sẽ chạy lệch tâm, gây mất kiểm soát.
- Không được sử dụng các vòng đệm hoặc bu-lông lưỡi cắt bị hỏng hoặc không đúng.** Bu-lông và các vòng đệm lưỡi cắt được thiết kế dành riêng cho máy cưa của bạn, để tối đa hóa hiệu năng và độ an toàn hoạt động.

## Nguyên nhân bật ngược và các cảnh báo liên quan

- bật ngược trở lại là hiện tượng phản lực đột ngột khi lưới cửa bị bó, bật lên hoặc bị lệch khiến cho máy cắt bị mất kiểm soát, bật lên và rời khỏi phối gia công, hướng về phía người vận hành;
- khi lưới cắt bị bó hoặc bật lên do rãnh cửa bị đóng lại, lưới cắt sẽ ngừng chạy và phản lực của động cơ sẽ khiến cho thiết bị bật nhanh ngược trở lại người vận hành;
- nếu lưới cắt bị xoắn hoặc bị lệch khi cắt, răng ở mặt sau lưới cắt có thể cắm sâu vào mặt trên của gỗ khiến cho lưới cắt chệch ra ngoài vết cắt và bật ngược trở lại người vận hành.

Hiện tượng bật ngược lại là do sử dụng sai cửa và/hoặc quy trình hoặc tình trạng vận hành không chính xác và có thể tránh được bằng cách thực hiện các biện pháp phòng ngừa thích hợp dưới đây.

1. **Luôn cầm chặt cửa bằng cả hai tay và đặt cánh tay của bạn ở vị trí có thể chịu đựng được các lực bật ngược lại. Đề thân của bạn ở vị trí một trong hai phía của lưới cắt nhưng không được thẳng hàng với lưới cắt.** Hiện tượng bật ngược lại có thể khiến cửa bật ngược về phía sau nhưng người vận hành có thể kiểm soát được lực bật ngược lại nếu thực hiện các biện pháp phòng ngừa thích hợp.
2. **Khi lưới cắt bị bó kẹt hoặc khi đường cắt bị gián đoạn vì bất kỳ lý do nào, hãy nhả bỏ khởi động và giữ cửa đứng im trong vật liệu cho đến khi lưới cắt hoàn toàn dừng lại. Không được cố gỡ cửa ra khỏi sản phẩm hoặc kéo cửa về phía sau khi lưới cắt vẫn đang chuyển động nếu không có thể xảy ra hiện tượng bật ngược lại.** Kiểm tra và tiến hành khắc phục để loại bỏ nguyên nhân gây bó kẹt lưới cắt.
3. **Khi khởi động lại cửa trong phối gia công, đặt lưới cửa vào giữa rãnh cửa sao cho các răng cửa không được mắc vào vật liệu.** Nếu lưới cửa bị kẹt, nó có thể bật lên hoặc bật ngược lại khỏi phối gia công khi cửa được khởi động lại.
4. **Đỡ tấm ván lớn để giảm thiểu nguy cơ bó lưới cắt và bật ngược lại.** Tấm ván lớn thường có xu hướng võng xuống do khối lượng của nó. Phải đặt các giá đỡ dưới tấm ván ở cả hai phía, gần đường cắt và gần cạnh của tấm ván.

### ► Hình 2

### ► Hình 3

5. **Không sử dụng lưới cắt bị cùn hoặc bị hư hỏng.** Lưới cắt không được mài sắc hoặc được điều chỉnh không đúng cách sẽ tạo ra vết cắt hẹp, gây ra ma sát quá lớn, bó kẹt lưới cắt cũng như hiện tượng bật ngược lại.
6. **Phải vận chặt và cố định các lẫy khóa điều chỉnh góc và độ sâu lưới cắt trước khi cắt.** Nếu điều chỉnh lưới cắt thay đổi khi đang cắt thì có thể gây ra bó kẹt và bật ngược lại.
7. **Đặc biệt cẩn trọng khi cửa vào các tường có sẵn hoặc các vùng khô nhin khác.** Lưới cắt nhỏ ra có thể cắt phải các vật có khả năng gây nên hiện tượng bật lại.

8. **LUÔN cầm chắc dụng cụ bằng cả hai tay. KHÔNG đặt tay, chân hoặc bất kỳ bộ phận nào của cơ thể bạn ở bên dưới để dụng cụ hoặc phía sau cửa, đặt biệt là khi cắt ngang.** Nếu xảy ra hiện tượng bật ngược lại, cửa có thể dễ dàng bật lại phía sau qua tay của bạn, dẫn đến thương tích cá nhân nghiêm trọng.

### ► Hình 4

9. **Không được ấn mạnh cửa. Đẩy cửa về phía trước ở tốc độ sao cho lưới cắt cắt không bị chậm.** Ấn mạnh cửa có thể khiến cho đường cắt gỗ gề, mất độ chính xác và có thể xảy ra hiện tượng bật ngược lại.

## Chức năng của phần bảo vệ

1. **Kiểm tra phần bảo vệ dưới xem đã đóng đúng chưa trước mỗi lần sử dụng. Không vận hành máy cửa nếu phần bảo vệ dưới không di chuyển tự do và đóng ngay tức khắc. Không kẹp hoặc buộc phần bảo vệ dưới ở vị trí mở.** Nếu vô tình đánh rơi cửa thì phần bảo vệ dưới có thể bị cong. Nâng phần bảo vệ dưới có tay cầm có nút được lên và đảm bảo phần bảo vệ di chuyển tự do và không chạm vào lưới cửa hay bất kỳ bộ phận nào khác, ở tất cả các góc và chiều sâu cắt.
2. **Kiểm tra hoạt động của lò xo phần bảo vệ dưới. Nếu phần bảo vệ và lò xo không hoạt động đúng, chúng phải được bảo trì trước khi sử dụng.** Phần bảo vệ dưới có thể hoạt động chậm do các bộ phận bị hư hỏng, cặn bám dính hoặc các mảnh vụn tích tụ.
3. **Phần bảo vệ dưới chỉ có thể tự chỉnh cơ rút bằng tay đối với các vết cắt đặc biệt như “cắt chìm” và “cắt hỗn hợp”.** Nâng phần bảo vệ dưới bằng tay cầm cơ rút được và ngay khi lưới cửa đi vào vật liệu, phần bảo vệ dưới phải được nhả ra. Đối với tất cả thao tác cửa khác, phần bảo vệ dưới nên vận hành tự động.
4. **Luôn chú ý xem phần bảo vệ dưới đã che lưới cắt hay chưa trước khi đặt cửa lên ghế hoặc sàn nhà.** Lưới cắt không được bảo vệ, theo đà quán tính sẽ khiến cửa chuyển động ngược về phía sau, cắt bất kể thứ gì trên đường đi của nó. Chú ý thời gian cần thiết để lưới cắt dừng sau khi nhà công tác.
5. **Để kiểm tra phần bảo vệ dưới, dùng tay mở phần bảo vệ dưới ra, sau đó thả ra và theo dõi phần bảo vệ đóng lại. Đồng thời kiểm tra để thấy rằng tay cầm cơ rút được không chạm vào vô dụng cụ.** Để lưới cắt hở là RẤT NGUY HIỂM và có thể dẫn đến thương tích cá nhân nghiêm trọng.

## Cảnh báo an toàn bổ sung

1. **Đặc biệt cẩn trọng khi cắt gỗ ẩm, gỗ ép hoặc gỗ có mấu.** Duy trì bước tiến của dụng cụ nhẹ nhàng mà không làm giảm tốc độ lưới cắt để tránh làm quá nhiệt các đầu lưới cắt.
2. **Không cố gỡ vật liệu bị cắt khi lưới cắt đang chuyển động. Chờ cho tới khi lưới cắt dừng lại trước khi nắm lấy vật liệu bị cắt.** Lưới cắt chạy theo đà quán tính sau khi tắt.
3. **Tránh cắt đỉnh. Kiểm tra và tháo toàn bộ đỉnh khỏi gỗ trước khi cắt.**

- Đặt phần rộng hơn của bề mặt lên phần phối gia công được đỡ chắc chắn, không đặt lên phần sẽ rơi xuống sau khi thực hiện cắt. Nếu phối gia công ngắn hoặc nhỏ, hãy kẹp chặt nó xuống. **KHÔNG CÓ GIỮ CÁC MẪU GỖ NGĂN BĂNG TAY!**

► Hình 5

- Trước khi đặt dụng cụ xuống sau khi cắt xong, hãy đảm bảo rằng phần bảo vệ dưới đã đóng và lưỡi cắt đã dừng hẳn.
- Không được cố cưa bằng máy cưa đĩa được kẹp lộn ngược trong dụng cụ kẹp. Điều này cực kỳ nguy hiểm và có thể dẫn tới những tai nạn nghiêm trọng.

► Hình 6

- Một số vật liệu có thể chứa hóa chất độc hại. Phải cẩn trọng tránh hít phải bụi và để tiếp xúc với da. Tuân theo dữ liệu an toàn của nhà cung cấp vật liệu.
- Không dùng lưỡi cắt bằng áp lực bên lên lưỡi cưa.
- Không sử dụng bất kỳ đĩa mài nào.
- Chỉ sử dụng lưỡi cưa có đường kính được đánh dấu trên dụng cụ hoặc được chỉ định trong hướng dẫn. Sử dụng lưỡi cưa có kích thước không đúng có thể ảnh hưởng đến phần bảo vệ thích hợp của lưỡi cưa hoặc hoạt động của phần bảo vệ, có thể dẫn đến thương tích nghiêm trọng.
- Giữ lưỡi cắt sắc và sạch. Chất dính và nhựa gỗ bám chặt trên lưỡi cắt làm chậm cưa và tăng khả năng xảy ra hiện tượng bật ngược lại. Giữ lưỡi cắt sắc bằng cách trước tiên tháo lưỡi cắt ra khỏi dụng cụ sau đó lau sạch lưỡi cắt bằng chất tẩy chất dính và nhựa, nước nóng hoặc dầu hỏa. Không được sử dụng xăng.
- Đeo mặt nạ chống bụi và thiết bị bảo vệ thính giác khi sử dụng dụng cụ.
- Luôn sử dụng lưỡi cưa được thiết kế để cắt các vật liệu mà bạn sẽ cắt.
- Chỉ sử dụng lưỡi cưa có ghi tốc độ bằng hoặc cao hơn tốc độ ghi trên dụng cụ.
- (Chỉ đối với các quốc gia Châu Âu)  
Luôn sử dụng lưỡi cưa tuân thủ theo EN847-1.
- Đặt dụng cụ và các bộ phận trên bề mặt phẳng và cố định. Nếu không, dụng cụ hoặc các bộ phận có thể rơi ra và gây thương tích.

## LƯU GIỮ CÁC HƯỚNG DẪN NÀY.

**⚠ CẢNH BÁO:** KHÔNG vì đã thoải mái hay quen thuộc với sản phẩm (có được do sử dụng nhiều lần) mà không tuân thủ nghiêm ngặt các quy định về an toàn dành cho sản phẩm này. **VIỆC DÙNG SAI** hoặc không tuân theo các quy định về an toàn được nêu trong tài liệu hướng dẫn này có thể dẫn đến thương tích cá nhân nghiêm trọng.

## Hướng dẫn quan trọng về an toàn dành cho hộp pin

- Trước khi sử dụng hộp pin, hãy đọc kỹ tất cả các hướng dẫn và dấu hiệu cảnh báo trên (1) bộ sạc pin, (2) pin và (3) sản phẩm sử dụng pin.
- Không tháo rời hoặc làm thay đổi hộp pin. Việc này có thể dẫn đến hỏa hoạn, quá nhiệt hoặc nổ.
- Nếu thời gian vận hành ngắn hơn quá mức, hãy ngừng vận hành ngay lập tức. Điều này có thể dẫn đến rùi rò quá nhiệt, có thể gây bỏng và thậm chí là nổ.
- Nếu chất điện phân rơi vào mắt, hãy rửa sạch bằng nước sạch và đến cơ sở y tế ngay lập tức. Chất này có thể khiến bạn giảm thị lực.
- Không để hộp pin ở tình trạng đoản mạch:
  - Không chạm vào cực pin bằng vật liệu dẫn điện.
  - Tránh cất giữ hộp pin trong hộp có các vật kim loại khác như đinh, tiền xu, v.v...
  - Không được để hộp pin tiếp xúc với nước hoặc mưa.
 Đoản mạch pin có thể gây ra dòng điện lớn, quá nhiệt, có thể gây bỏng và thậm chí là hỏng hóc.
- Không cất giữ cũng như sử dụng dụng cụ và hộp pin ở nơi nhiệt độ có thể lên tới hoặc vượt quá 50 °C (122 °F).
- Không đốt hộp pin ngay cả khi hộp pin đã bị hư hại nặng hoặc hư hỏng hoàn toàn. Hộp pin có thể nổ khi tiếp xúc với lửa.
- Không đóng đinh, cắt, nghiền nát, ném, làm rơi hộp pin hoặc va vật cứng vào hộp pin. Làm như thế có thể dẫn đến hỏa hoạn, quá nhiệt hoặc nổ.
- Không sử dụng pin đã hỏng.
- Pin nén lithium-ion là đối tượng có yêu cầu bắt buộc theo Luật Hàng hoá Nguy hiểm. Đối với vận tải thương mại, ví dụ như vận tải do bên thứ ba, đại lý giao nhận, thì yêu cầu đặc biệt về đóng gói và nhãn ghi phải được giám sát. Để chuẩn bị cho mặt hàng cần vận chuyển, cần phải tham khảo ý kiến chuyên gia về vật liệu nguy hiểm. Nếu được, vui lòng tuân thủ các quy định quốc gia chi tiết hơn. Buộc hoặc niêm phong các tiếp điểm mở và đóng gói pin theo cách đó để nó không thể di chuyển trong bao bì.
- Khi vứt bỏ hộp pin, hãy tháo chúng khỏi dụng cụ và thái bỏ ở nơi an toàn. Phải tuân thủ theo các quy định của địa phương liên quan đến việc thái bỏ pin.
- Chỉ sử dụng pin cho các sản phẩm Makita chỉ định. Lắp pin vào sản phẩm không thích hợp có thể gây ra hỏa hoạn, quá nhiệt, nổ, hoặc rò chất điện phân.
- Nếu dụng cụ không được sử dụng trong một thời gian dài, cần phải tháo pin ra khỏi dụng cụ.
- Trong và sau khi sử dụng, hộp pin có thể bị nóng, có thể gây bỏng hoặc bỏng ở nhiệt độ thấp. Chú ý xử lý hộp pin nóng.

15. Không chạm vào điện cực của dụng cụ ngay sau khi sử dụng vì điện cực đủ nóng để gây bỏng.
16. Không để vụn bào, bụi hoặc đất bám vào các điện cực, lỗ và rãnh của hộp pin. Việc này có thể dẫn đến hiệu suất kém hoặc hỏng hóc dụng cụ hay hộp pin.
17. Trừ khi dụng cụ hỗ trợ sử dụng gần đường dây điện cao thế, không sử dụng hộp pin gần đường dây điện cao thế. Việc này có thể dẫn đến trục trặc hoặc hỏng hóc dụng cụ hay hộp pin.
18. Giữ pin tránh xa trẻ em.
8. Không để thiết bị thu và phát không dây ở những nơi chịu nhiệt độ cao hoặc nơi có thể tạo ra tĩnh điện hoặc nhiễu điện.
9. Thiết bị thu và phát không dây có thể tạo ra từ trường điện (EMF) nhưng không có hại cho người dùng.
10. Thiết bị thu và phát không dây là một dụng cụ chính xác. Hãy cân trọng không làm rơi hoặc va đập thiết bị thu và phát không dây.
11. Tránh chạm vào điện cực của thiết bị thu và phát không dây bằng tay để trần hoặc vật liệu kim loại.
12. Luôn tháo pin ra khỏi sản phẩm khi lắp đặt thiết bị thu và phát không dây vào sản phẩm.
13. Khi mở nắp khe, hãy tránh nơi có bụi và nước có thể lọt vào khe. Luôn giữ sạch đầu vào của khe.
14. Luôn lắp thiết bị thu và phát không dây vào đúng hướng.
15. Không nhấn nút kích hoạt không dây trên thiết bị thu và phát không dây quá chặt và/hoặc nhấn nút bằng một vật có cạnh mép sắc.
16. Luôn đóng nắp khe khi vận hành.
17. Không tháo thiết bị thu và phát không dây khỏi khe trong khi dụng cụ đang được cấp điện. Làm như vậy có thể khiến thiết bị thu và phát không dây bị hỏng.
18. Không gỡ bỏ nhãn trên thiết bị thu và phát không dây.
19. Không được dán bất kỳ nhãn nào lên thiết bị thu và phát không dây.
20. Không để thiết bị thu và phát không dây ở những nơi có thể tạo ra tĩnh điện hoặc nhiễu điện.
21. Không được để thiết bị thu và phát không dây ở những nơi tiếp xúc với nguồn nhiệt cao, như trong ô tô dưới trời nắng.
22. Không để thiết bị thu và phát không dây ở những nơi có bụi hoặc bột hoặc ở những nơi tạo ra khí ăn mòn.
23. Thay đổi nhiệt độ đột ngột có thể làm thiết bị thu và phát không dây bị tụ hơi nước. Không sử dụng thiết bị thu và phát không dây cho đến khi nước ngưng tụ khô hoàn toàn.
24. Khi vệ sinh thiết bị thu và phát không dây, hãy lau nhẹ nhàng bằng vải mềm khô. Không sử dụng ét xăng, dung môi, dầu mỡ dẫn hoặc tương tự.
25. Khi bảo quản thiết bị thu và phát không dây, hãy cất giữ thiết bị trong hộp đựng được giao kèm hoặc hộp chống tĩnh điện.
26. Không được lắp bất kỳ thiết bị nào ngoài thiết bị thu và phát không dây Makita vào khe trên dụng cụ.
27. Không sử dụng dụng cụ có nắp khe bị hư hỏng. Nước, bụi bắn lọt vào khe có thể gây ra sự cố.
28. Không kéo và/hoặc vận nắp khe nếu không cần thiết. Lắp lại nắp nếu nó rơi ra khỏi dụng cụ.
29. Thay thế nắp khe nếu bị mất hoặc hư hỏng.

## LƯU GIỮ CÁC HƯỚNG DẪN NÀY.

**⚠ THẬN TRỌNG:** Chỉ sử dụng pin Makita chính hãng. Việc sử dụng pin không chính hãng Makita, hoặc pin đã được sửa đổi, có thể dẫn đến nổ pin gây ra cháy, thương tích và thiệt hại cá nhân. Nó cũng sẽ làm mất hiệu lực bảo hành của Makita dành cho dụng cụ của Makita và bộ sạc.

## Mẹo duy trì tuổi thọ tối đa cho pin

1. Sạc hộp pin trước khi pin bị xả điện hoàn toàn. Luôn dừng việc vận hành dụng cụ và sạc pin khi bạn nhận thấy công suất dụng cụ bị giảm.
2. Không được phép sạc lại một hộp pin đã được sạc đầy. Sạc quá mức sẽ làm giảm tuổi thọ của pin.
3. Sạc pin ở nhiệt độ phòng 10°C - 40°C. Để cho hộp pin nóng nguội lại dần trước khi sạc pin.
4. Khi không sử dụng hộp pin, hãy tháo hộp pin ra khỏi dụng cụ hoặc bộ sạc.
5. Sạc pin sáu tháng một lần nếu bạn không sử dụng dụng cụ trong một thời gian dài (hơn sáu tháng).

## Hướng dẫn quan trọng về an toàn dành cho thiết bị thu và phát không dây

1. Không tháo rời hoặc làm thay đổi thiết bị thu và phát không dây.
2. Giữ thiết bị thu và phát không dây tránh xa trẻ em. Nếu vô tình nuốt phải, hãy đến cơ sở y tế ngay lập tức.
3. Chỉ sử dụng thiết bị thu và phát không dây với các dụng cụ Makita.
4. Không để thiết bị thu và phát không dây tiếp xúc với mưa hoặc điều kiện ẩm ướt.
5. Không sử dụng thiết bị thu và phát không dây ở những nơi nhiệt độ vượt quá 50°C.
6. Không vận hành thiết bị thu và phát không dây ở những nơi gần các dụng cụ y tế, chẳng hạn như máy tạo nhịp tim.
7. Không vận hành thiết bị thu và phát không dây ở những nơi gần các thiết bị tự động. Nếu vận hành, các thiết bị tự động có thể phát sinh sự cố hoặc bị lỗi.

## LƯU GIỮ CÁC HƯỚNG DẪN NÀY.



# MÔ TẢ CHỨC NĂNG

**⚠ THẬN TRỌNG:** Luôn đảm bảo rằng đã tắt dụng cụ và tháo hộp pin ra trước khi thực hiện việc điều chỉnh hoặc kiểm tra chức năng trên dụng cụ.

## Lắp hoặc tháo hộp pin

**⚠ THẬN TRỌNG:** Luôn tắt dụng cụ trước khi lắp hoặc tháo hộp pin.

**⚠ THẬN TRỌNG:** Giữ dụng cụ và hộp pin thật chắc khi lắp hoặc tháo hộp pin. Không giữ dụng cụ và hộp pin thật chắc có thể làm trượt chúng khỏi tay và làm hư hỏng dụng cụ và hộp pin hoặc gây thương tích cá nhân.

► **Hình7:** 1. Chỉ báo màu đỏ 2. Nút 3. Hộp pin

Để tháo hộp pin, vừa trượt pin ra khỏi dụng cụ vừa đẩy trượt nút ở phía trước hộp pin.

Để lắp hộp pin, đặt thẳng hàng phần chốt nhỏ ra của hộp pin vào phần rãnh nằm trên vỏ và trượt hộp pin vào vị trí. Đưa hộp pin vào cho đến khi chốt khóa vào đúng vị trí với một tiếng “cách” nhẹ. Nếu bạn vẫn còn nhìn thấy chỉ báo màu đỏ ở mặt trên của nút, điều đó có nghĩa là chốt vẫn chưa được khóa hoàn toàn.

**⚠ THẬN TRỌNG:** Luôn lắp hộp pin khớp hoàn toàn vào vị trí cho đến khi không thể nhìn thấy chỉ báo màu đỏ. Nếu không, hộp pin có thể vô tình rơi ra khỏi dụng cụ, gây thương tích cho bạn hoặc người khác xung quanh.

**⚠ THẬN TRỌNG:** Không được dùng sức lắp hộp pin. Nếu hộp pin không nhẹ nhàng trượt vào vị trí, có nghĩa là pin vẫn chưa được lắp đúng.

## Hệ thống bảo vệ dụng cụ / pin


Dụng cụ này được trang bị hệ thống bảo vệ dụng cụ/ pin. Hệ thống này sẽ tự động ngắt nguồn điện đến động cơ để kéo dài tuổi thọ dụng cụ và pin. Dụng cụ sẽ tự động dừng vận hành khi dụng cụ hoặc pin ở một trong những trường hợp sau đây. Trong một số trường hợp, các đèn chỉ báo này sẽ sáng lên.

## Bảo vệ quá tải

Khi vận hành dụng cụ/pin trong điều kiện làm máy tiêu tốn dòng cao bất thường, dụng cụ sẽ tự động dừng lại. Trong trường hợp này, hãy tắt dụng cụ và ngừng ứng dụng làm cho dụng cụ trở nên quá tải. Sau đó bật dụng cụ lên để khởi động lại.

## Bảo vệ quá nhiệt

Khi bị quá nhiệt, dụng cụ/pin sẽ tự động dừng, và đèn chỉ báo pin sẽ nhấp nháy khoảng 60 giây. Trong tình huống này, hãy để dụng cụ nguội lại dần trước khi bật dụng cụ một lần nữa.


<input checked="" type="checkbox"/> Bật	<input checked="" type="checkbox"/> Nhấp nháy
	

## Bảo vệ xả điện quá mức

Khi dung lượng pin yếu, thì dụng cụ sẽ tự động dừng. Nếu sản phẩm không vận hành ngay cả khi vận hành công tắc, hãy tháo pin ra khỏi dụng cụ và sạc pin.

## Nhả khóa bảo vệ

Khi hệ thống bảo vệ làm việc liên tục, dụng cụ sẽ bị khóa và đèn chỉ báo pin sẽ cho thấy trạng thái sau.

<input checked="" type="checkbox"/> Nhấp nháy	<input type="checkbox"/> Tắt
	





Trong tình huống này, dụng cụ sẽ không khởi động ngay cả khi bật và tắt dụng cụ. Để nhả khóa bảo vệ, hãy tháo pin ra, đặt pin vào cục sạc pin và đợi cho đến khi sạc đầy.

## Chỉ báo dung lượng pin còn lại

Khi bạn kéo cần khởi động công tắc, đèn chỉ báo pin sẽ hiện dung lượng pin còn lại.

► **Hình8:** 1. Đèn chỉ báo pin

Dung lượng pin còn lại được trình bày trong bảng sau đây.

Trạng thái đèn chỉ báo pin			Dung lượng pin còn lại
<input checked="" type="checkbox"/> Bật	<input type="checkbox"/> Tắt	<input checked="" type="checkbox"/> Nhấp nháy	
			50% đến 100%
			20% đến 50%
			0% đến 20%
			Sạc pin

## Chỉ báo dung lượng pin còn lại

Chỉ dành cho hộp pin có đèn chỉ báo

► **Hình9:** 1. Các đèn chỉ báo 2. Nút Check (kiểm tra)

Ấn nút check (kiểm tra) trên hộp pin để chỉ báo dung lượng pin còn lại. Các đèn chỉ báo bật sáng lên trong vài giây.

Các đèn chỉ báo			Dung lượng còn lại
Bật sáng	Tắt	Nhấp nháy	
			75% đến 100%
			50% đến 75%
			25% đến 50%
			0% đến 25%
			Sạc pin.
			Pin có thể đã bị hỏng.

**LƯU Ý:** Tùy thuộc vào các điều kiện sử dụng và nhiệt độ xung quanh, việc chỉ báo có thể khác biệt một chút so với dung lượng thực sự.

**LƯU Ý:** Đèn chỉ báo (phía xa bên trái) đầu tiên sẽ nhấp nháy khi hệ thống bảo vệ pin hoạt động.

## Hoạt động công tắc

**▲ CẢNH BÁO:** Trước khi lắp hộp pin vào dụng cụ, luôn luôn kiểm tra xem cần khởi động công tắc có hoạt động bình thường hay không và trả về vị trí “OFF” (TẮT) khi nhả ra.

**▲ CẢNH BÁO:** KHÔNG ĐƯỢC PHÉP làm hỏng nút nhà khóa bằng cách xuống hoặc một số cách khác. Một nút nhà khóa không hiệu quả có thể dẫn đến vận hành vô tình và thương tích cá nhân nghiêm trọng.

**▲ CẢNH BÁO:** KHÔNG ĐƯỢC PHÉP sử dụng dụng cụ này nếu nó chạy khi bạn chỉ kéo cần khởi động công tắc mà không nhấn nút nhà khóa. Một công tắc cần sửa có thể dẫn đến vận hành vô tình và thương tích cá nhân nghiêm trọng. Hãy trả dụng cụ lại cho một trung tâm dịch vụ Makita để sửa chữa phù hợp TRƯỚC KHI sử dụng tiếp sau này.

Để ngăn ngừa vô tình kéo cần khởi động công tắc, dụng cụ được trang bị một nút nhà khóa. Để khởi động dụng cụ, nhà nút nhà khóa và kéo cần khởi động công tắc. Nhà cần khởi động công tắc ra để dừng.

► **Hình10:** 1. Cò khởi động công tắc 2. Nút nhà khóa

**CHÚ Ý:** Không được kéo mạnh bộ khởi động công tắc mà không ấn nút nhà khóa. Điều này có thể làm gãy nút công tắc.

**▲ THẬN TRỌNG:** Dụng cụ bắt đầu phanh vòng quay của lưỡi cưa đĩa ngay sau khi bạn nhả cần khởi động công tắc. Đảm bảo dụng cụ để phân ứng kịp thời với phản lực của phanh khi nhả cần khởi động công tắc. Phản lực đột ngột có thể làm rơi dụng cụ ra khỏi tay bạn và có thể gây ra thương tích cá nhân.

## Chức năng thay đổi tốc độ tự động

Dụng cụ này có “chế độ tốc độ cao” và “chế độ mô-men quay cao”.

Dụng cụ sẽ tự động đổi chế độ vận hành tùy thuộc vào tải trọng công việc. Khi làm việc với tải trọng công việc thấp, dụng cụ sẽ chạy ở “chế độ tốc độ cao” để thao tác cắt nhanh hơn. Khi làm việc với tải trọng công việc cao, dụng cụ sẽ chạy ở “chế độ mô-men quay cao” để thao tác có lực cắt mạnh.

► **Hình11:** 1. Đèn chỉ báo chế độ

Đèn chỉ báo chế độ bật sáng màu xanh lá cây khi dụng cụ đang hoạt động ở “chế độ mô-men quay cao”.

Nếu vận hành dụng cụ quá mức, đèn chỉ báo chế độ sẽ nhấp nháy màu xanh lá cây. Đèn chỉ báo chế độ sẽ ngừng nhấp nháy, sau đó bật sáng hoặc tắt đi nếu bạn giảm tải cho dụng cụ.

Trạng thái đèn chỉ báo chế độ			Chế độ vận hành
<input checked="" type="radio"/> Bật	<input type="radio"/> Tắt	<input checked="" type="radio"/> Nhấp nháy	
			Chế độ tốc độ cao
			Chế độ mô-men xoắn cao
			Cảnh báo quá tải

## Điều chỉnh chiều sâu cắt

**▲ THẬN TRỌNG:** Sau khi điều chỉnh chiều sâu cắt, luôn khóa chặt cần.

Nới lỏng cần và di chuyển để lên hoặc xuống để căn chỉnh kim chỉ thẳng hàng với chiều sâu mong muốn trên thanh dẫn đo sâu. Ở chiều sâu cắt mong muốn, cố định bệ bằng cách khóa chặt cần.

Để làm sạch hơn, cắt an toàn hơn, hãy cài chiều sâu cắt sao cho không nhiều hơn một răng cưa nhô ra dưới phơi gia công. Sử dụng chiều sâu cắt thích hợp sẽ giúp giảm nguy hiểm ĐÁY NGƯỢC LẠI tiềm ẩn có thể gây ra thương tích cá nhân.

► **Hình12:** 1. Kim chỉ 2. Cần

Bạn có thể đọc chiều sâu cắt bằng thang đo trên phần bảo vệ bên dưới.

► **Hình13:** 1. Phần bảo vệ bên dưới 2. Phần đáy của đế dụng cụ 3. Thang đo

## Cắt xiên góc

**⚠ THẬN TRỌNG:** Sau khi điều chỉnh góc xiên, phải luôn vận chặt ốc xiết.

Nới lỏng cần gạt và ốc xiết. Thiết lập góc mong muốn bằng cách nghiêng phù hợp, sau đó vận chặt ốc xiết.

► **Hình14:** 1. Cần 2. Ốc xiết

Sử dụng để chặn khi bạn thực hiện cắt góc chính xác 45°. Xoay để chặn hết cỡ như hình minh họa tùy vào cắt xiên góc 0° - 45° hoặc cắt xiên góc 0° - 50°.

► **Hình15:** 1. Để chặn

## Ngắm

Để cắt thẳng, căn chỉnh vị trí 0° ở phía trước bệ sao cho thẳng hàng với đường cắt. Để cắt xiên góc 45°, căn chỉnh vị trí 45° sao cho thẳng hàng với đường cắt.

► **Hình16:** 1. Đường cắt (vị trí 0°) 2. Đường cắt (vị trí 45°)

## Bật sáng đèn

**⚠ THẬN TRỌNG:** Đừng nhìn thẳng trực tiếp vào đèn hoặc nguồn sáng.

Để bật đèn khi dụng cụ không chạy, hãy kéo cần khởi động công tắc mà không nhấn nút nhà khóa.

Để bật đèn khi dụng cụ đang chạy, nhấn giữ nút nhà khóa và kéo cần khởi động công tắc.

Đèn sẽ tắt 10 giây sau khi nhà cần khởi động công tắc.

► **Hình17:** 1. Đèn

**LƯU Ý:** Dùng vải khô để lau bụi bẩn trên kính đèn. Cần thận không được làm xước kính đèn, nếu không đèn có thể bị giảm độ sáng.

## Móc treo

### Phụ kiện tùy chọn

**⚠ THẬN TRỌNG:** Luôn luôn tháo pin khi treo dụng cụ bằng móc treo.

**⚠ THẬN TRỌNG:** Không bao giờ móc dụng cụ lên vị trí cao hoặc trên bề mặt có thể làm cho dụng cụ mất cân bằng và rơi xuống. Nếu không, có thể xảy ra tai nạn rơi ngã và gây chấn thương nghiêm trọng.

**⚠ THẬN TRỌNG:** Không kéo dụng cụ hướng xuống khi dụng cụ đã được bị móc lại.

Móc treo thuận tiện để treo dụng cụ tạm thời.

► **Hình18**

Gắn móc treo vào bằng vít như minh họa.

► **Hình19:** 1. Móc treo 2. Vít

Để sử dụng móc treo, chỉ đơn giản xoay móc treo cho đến khi móc treo trượt vào vị trí mở.

Khi không sử dụng, luôn xoay móc treo xuống cho đến khi móc treo trượt vào vị trí đóng.

► **Hình20:** 1. Vị trí mở 2. Vị trí đóng

## Chức năng điện tử

Dụng cụ được trang bị chức năng điện tử giúp dễ dàng vận hành nhờ (các) tính năng sau.

### Tính năng khởi động mềm

Khởi động mềm để tránh bị giật lúc khởi động.

## LẮP RÁP

**⚠ THẬN TRỌNG:** Luôn đảm bảo rằng đã tắt dụng cụ và tháo hộp pin ra trước khi thực hiện bất cứ thao tác nào trên dụng cụ.

## Cắt giữ cờ lê sáu cạnh

Khi không sử dụng, cắt giữ cờ lê sáu cạnh như được minh họa trong hình để tránh làm mất.

► **Hình21:** 1. Cờ lê sáu cạnh

## Tháo hoặc lắp lưỡi cưa đĩa

**⚠ THẬN TRỌNG:** Đảm bảo lưỡi cưa đĩa được lắp với răng cưa hướng lên trên ở phía trước dụng cụ.

**⚠ THẬN TRỌNG:** Chỉ sử dụng cờ lê Makita để lắp hoặc tháo lưỡi cưa đĩa.

Để tháo lưỡi cưa đĩa, nhấn khóa trục hết cỡ để lưỡi cắt không thể quay tròn và sử dụng cờ lê sáu cạnh để nới lỏng bu-lông lục giác. Sau đó tháo bu-lông lục giác, vành ngoài, lưỡi cưa đĩa và vòng (tùy thuộc vào quốc gia).

► **Hình22:** 1. Khóa trục 2. Cờ lê sáu cạnh 3. Nới lỏng 4. Vận chặt

### Đối với dụng cụ không có vòng

► **Hình23:** 1. Bu-lông lục giác 2. Vành ngoài 3. Lưỡi cưa đĩa 4. Vành trong

### Đối với dụng cụ có vòng

► **Hình24:** 1. Bu-lông lục giác 2. Vành ngoài 3. Lưỡi cưa đĩa 4. Vòng 5. Vành trong

Để lắp lưỡi cưa đĩa, hãy làm ngược lại quy trình tháo ra.

## Dành cho dụng cụ có vành trong dùng cho lưỡi cưa có đường kính lỗ khác 15,88 mm

Vành trong có đường kính phần nhô ra xác định nằm ở một mặt và có đường kính phần nhô ra khác biệt nằm ở mặt khác. Chọn mặt đúng mà ở đó phần nhô ra vừa khít với lỗ lưỡi cưa. Gắn vành trong vào trục gắn sao cho mặt hiệu chỉnh phần nhô ra trên vành trong hướng ra ngoài và sau đó là vành ngoài và lưỡi cưa.

► **Hình25:** 1. Trục gắn 2. Vành trong 3. Lưỡi cưa đĩa 4. Vành ngoài 5. Bu-lông lục giác

**⚠ CẢNH BÁO: ĐẢM BẢO ĐÃ VẠN CHẶT BU-LÔNG SÁU CẠNH THEO CHIỀU KIM ĐỒNG HỒ. Đồng thời phải cẩn thận để không dùng sức vặn chặt các bu-lông. Cờ lê sáu cạnh trượt khỏi tay bạn có thể gây ra thương tích cá nhân.**

**⚠ CẢNH BÁO:** Đảm bảo rằng phần nhô ra “a” ở vành trong được đặt ở bên ngoài vừa khít với lỗ lưới cửa “a”. Việc gắn lưới cửa sai mặt có thể gây ra rung động nguy hiểm.

## Dành cho dụng cụ có vành trong dùng cho lưới cửa có đường kính lỗ 15,88 mm (quốc gia cụ thể)

Gắn vành trong với mặt hốc rãnh hướng ra ngoài vào trục gắn và sau đó đặt lưới cửa (với vòng được gắn vào núm cần), vành ngoài và bu-lông lục giác.

**Đối với dụng cụ không có vòng**

- **Hình26:** 1. Trục gắn 2. Vành trong 3. Lưới cửa đĩa 4. Vành ngoài 5. Bu-lông lục giác

**Đối với dụng cụ có vòng**

- **Hình27:** 1. Trục gắn 2. Vành trong 3. Lưới cửa đĩa 4. Vành ngoài 5. Bu-lông lục giác 6. Vòng

**⚠ CẢNH BÁO: ĐẢM BẢO ĐÃ VẠN CHẶT BU-LÔNG SÁU CẠNH THEO CHIỀU KIM ĐỒNG HỒ. Đồng thời phải cẩn thận để không dùng sức vặn chặt các bu-lông. Cờ lê sáu cạnh trượt khỏi tay bạn có thể gây ra thương tích cá nhân.**

**⚠ CẢNH BÁO:** Nếu vòng cần được gắn lưới lên trụ quay, phải luôn luôn chắc chắn rằng đã lắp đặt đúng vòng cho lỗ tâm của lưới cửa mà bạn định dùng lên trên giữa vành trong và vành ngoài. Sử dụng vòng lỗ tâm không đúng có thể dẫn đến gắn lưới cửa không đúng cách, gây ra dịch chuyển lưới và rung động nặng dẫn đến có thể mất kiểm soát trong suốt quá trình vận hành và gây thương tích cá nhân nghiêm trọng.

## Vệ sinh phần bảo vệ lưới cửa

Khi thay đổi lưới cửa đĩa, hãy đảm bảo là cũng làm sạch mặt và phoi tích tụ trên phần bảo vệ trên và dưới như đã đề cập trong phần Bảo dưỡng. Những nỗ lực này không thay thế sự cần thiết phải kiểm tra việc vận hành phần bảo vệ dưới trước mỗi lần sử dụng.

## Kết nối máy hút bụi

Khi bạn muốn thực hiện thao tác cắt sạch, hãy kết nối với máy hút bụi Makita vào dụng cụ của bạn. Kết nối ống hút của máy hút bụi vào vòi xả bụi như thể hiện trên hình vẽ.

- **Hình28:** 1. Vòi xả bụi 2. Vít

- **Hình29:** 1. Ống dẫn 2. Máy hút bụi

## VẬN HÀNH

**⚠ THẬN TRỌNG:** Đeo mặt nạ chống bụi khi thực hiện thao tác cắt.

**⚠ THẬN TRỌNG:** Đảm bảo di chuyển dụng cụ nhẹ nhàng về phía trước theo một đường thẳng. Ấn mạnh hoặc làm xoắn dụng cụ sẽ dẫn đến động cơ quá nhiệt và hiện tượng bật ngược lại nguy hiểm, có thể gây thương tích nghiêm trọng.

**LƯU Ý:** Khi nhiệt độ trong hộp pin thấp, dụng cụ có thể không làm việc theo hết công suất của nó. Ví dụ, vào lúc này, hãy dùng dụng cụ để cắt chế độ nhẹ một lúc cho đến khi hộp pin nóng lên cao bằng nhiệt độ trong phòng. Sau đó, dụng cụ có thể làm việc theo hết công suất của nó.

### ► Hình30

Cầm chắc dụng cụ. Dụng cụ được trang bị cả hai tay nắm trước và tay cầm sau. Sử dụng cả hai để nắm chặt dụng cụ. Nếu cầm cửa bằng cả hai tay thì lưới cửa đĩa sẽ không thể cắt vào tay. Đặt bề lên phoi gia công cần được cắt mà không làm va chạm lưới cửa đĩa vào bất cứ vật gì. Sau đó bật dụng cụ lên và chờ đến khi lưới cửa đĩa đạt tốc độ tối đa. Giữ chỉ cần di chuyển phần thân dụng cụ về phía trước bên trên bề mặt phoi gia công, giữ cho nó bằng phẳng và đưa về trước nhẹ nhàng cho đến khi nào cửa xong.

Đề có đường cắt bên thẳng, giữ cho đường cửa thẳng và tốc độ chuyển động tiến không thay đổi. Nếu đường cắt không theo đúng đường cắt mà bạn đã định, dùng có đổi hướng hoặc bất dụng cụ trở lại đường cắt đó. Làm như vậy có thể bỏ kẹt lưới cửa đĩa và dẫn tới hiện tượng bật ngược lại và có thể gây ra thương tích nghiêm trọng. Nhà công tác, đợi lưới cửa đĩa dừng lại và sau đó rút dụng cụ ra. Cần chỉnh lại dụng cụ trên đường cắt mới, và bắt đầu cắt lại. Cố gắng tránh đặt ở vị trí người vận hành sẽ tiếp xúc với phoi và mặt gỗ bị đẩy ra khỏi cửa. Sử dụng thiết bị bảo vệ mắt để giúp tránh chấn thương.

## Thanh cữ (Thuốc dẫn)

**Phụ kiện tùy chọn**

- **Hình31:** 1. Thanh cữ (Thuốc dẫn) 2. Ốc xiết

Thanh cữ để sử dụng cho phép bạn thực hiện những đường cắt thẳng chính xác hơn. Chỉ cần trượt thanh cữ một cách thoải mái áp với cạnh của phoi gia công và cố định nó bằng vít ở phía trước bề. Ngoài ra, thanh cữ có thể giúp tạo những đường cắt lặp lại với độ rộng đồng đều.

## Kết nối dây đeo (dây cột)

**⚠ Cảnh báo an toàn chỉ định để sử dụng ở vị trí cao**  
**Đọc tất cả các cảnh báo an toàn và hướng dẫn.** Việc không tuân theo các cảnh báo và hướng dẫn có thể dẫn đến các chấn thương nghiêm trọng.

1. Luôn giữ dụng cụ được cột chặt khi làm việc “ở vị trí cao”. Chiều dài dây đeo tối đa là 2 m (6,5 ft).  
Chiều cao rơi tối đa cho phép đối với dây đeo (dây cột) không được vượt quá 2 m (6,5 ft).

2. Chỉ sử dụng với dây đeo thích hợp cho loại dụng cụ này và được định mức ít nhất 4,0 kg (8,8 lbs).
  3. Không cột dây đeo của dụng cụ vào bất cứ bộ phận nào trên cơ thể bạn hoặc các bộ phận chuyển động. Cột dây đeo dụng cụ vào một cấu trúc chắc chắn có thể chịu được lực của dụng cụ bị rơi.
  4. Đảm bảo dây đeo được cố định đúng cách ở mỗi đầu trước khi sử dụng.
  5. Kiểm tra dụng cụ và dây đeo trước mỗi lần sử dụng xem có hư hỏng không và có đúng chức năng không (kể cả vai và đường khâu). Không sử dụng nếu có hư hỏng hoặc không hoạt động đúng cách.
  6. Không quấn dây đeo quanh hoặc để dây đeo tiếp xúc với các cạnh sắc hoặc thô ráp.
  7. Gắn chặt đầu còn lại của dây đeo bên ngoài khu vực làm việc sao cho dụng cụ rơi xuống được giữ cố định.
  8. Gắn dây đeo sao cho dụng cụ di chuyển ra xa người vận hành nếu dụng cụ rơi xuống. Dụng cụ bị rơi sẽ quay trên dây đeo, có thể gây thương tích hoặc mất thăng bằng.
  9. Không sử dụng gần các bộ phận đang chuyển động hoặc máy móc đang chạy. Nếu không làm như vậy có thể dẫn đến bị ép hoặc bị vướng.
  10. Không mang dụng cụ đi bằng thiết bị phụ tùng hoặc dây đeo.
  11. Chỉ chuyển dụng cụ qua lại trong tay của bạn khi bạn thực sự thăng bằng.
  12. Không gắn dây đeo vào dụng cụ theo cách khiến các phần bảo vệ, các công tắc hoặc bộ phận nhả khóa không hoạt động bình thường.
  13. Tránh bị rối bởi dây đeo.
  14. Giữ dây đeo tránh xa khu vực cắt của dụng cụ.
  15. Sử dụng các móc khóa đa năng và móc khóa kiểu vít xoay. Không sử dụng các móc khóa có kẹp lò xo tự khóa.
  16. Trong trường hợp dụng cụ bị rơi, dụng cụ đó phải được gắn thẻ và ngưng sử dụng, và nên đưa đến Trung tâm dịch vụ được ủy quyền hoặc Nhà máy Makita để kiểm tra.
- **Hình32:** 1. Lỗ gắn dây đeo (dây cột)

- Một thiết bị thu và phát không dây (phụ kiện tùy chọn)
- Một máy hút bụi hỗ trợ chức năng kích hoạt không dây

Cài đặt chức năng kích hoạt không dây được trình bày khái quát như sau đây. Vui lòng tham khảo từng phần để biết về các quy trình chi tiết.

1. Lắp thiết bị thu và phát không dây
2. Đăng ký dụng cụ cho máy hút bụi
3. Khởi động chức năng kích hoạt không dây

## Lắp thiết bị thu và phát không dây

### Phụ kiện tùy chọn

**⚠ THẬN TRỌNG:** Đặt dụng cụ lên trên bề mặt phẳng và cố định khi lắp thiết bị thu và phát không dây.

**CHÚ Ý:** Làm sạch bụi bẩn trên dụng cụ trước khi lắp đặt thiết bị thu và phát không dây. Bụi bẩn có thể gây ra sự cố nếu lọt vào khe của thiết bị thu và phát không dây.

**CHÚ Ý:** Để ngăn sự cố do tĩnh điện, hãy chạm vào vật liệu xấp xỉ, chẳng hạn như phần kim loại của dụng cụ, trước khi cầm thiết bị thu và phát không dây.

**CHÚ Ý:** Khi lắp thiết bị thu và phát không dây, luôn đảm bảo rằng thiết bị không dây được lắp vào đúng hướng và nắp được đóng lại hoàn toàn.

1. Mở nắp trên dụng cụ như minh họa trong hình.
- **Hình34:** 1. Nắp
2. Lắp thiết bị thu và phát không dây vào khe và sau đó đóng nắp lại.
- Khi lắp thiết bị thu và phát không dây, căn chỉnh các gờ nhỏ ra thẳng với các phần lõm trên khe.
- **Hình35:** 1. Thiết bị thu và phát không dây 2. Gờ nhỏ ra 3. Nắp 4. Phần lõm

Khi tháo thiết bị thu và phát không dây, mở nắp từ từ. Các móc treo vào phía sau nắp sẽ nâng thiết bị thu và phát không dây khi bạn kéo nắp lên.

- **Hình36:** 1. Thiết bị thu và phát không dây 2. Móc treo 3. Nắp

Sau khi tháo thiết bị thu và phát không dây, hãy cất giữ trong hộp đựng máy được giao kèm hoặc hộp chống tĩnh điện.

**CHÚ Ý:** Luôn sử dụng các móc ở phía sau nắp khi tháo thiết bị thu và phát không dây. Nếu các móc không móc vào thiết bị thu và phát không dây, đóng nắp hoàn toàn và mở lại từ từ.

## CHỨC NĂNG KÍCH HOẠT KHÔNG DÂY

Chỉ dành cho DHS661

### Những điều bạn có thể thực hiện với chức năng kích hoạt không dây

Chức năng kích hoạt không dây cho phép vận hành sạch và thuận lợi. Bằng cách nối máy hút bụi được hỗ trợ vào dụng cụ, bạn có thể chạy máy hút bụi tự động cùng với vận hành chuyển đổi của dụng cụ.

► **Hình33**

Để sử dụng chức năng kích hoạt không dây, hãy chuẩn bị các mục sau đây:

## Đăng ký dụng cụ cho máy hút bụi

**LƯU Ý:** Việc đăng ký dụng cụ yêu cầu có máy hút bụi Makita hỗ trợ chức năng kích hoạt không dây.

**LƯU Ý:** Hãy hoàn tất quá trình lắp thiết bị thu và phát không dây vào dụng cụ trước khi bắt đầu đăng ký dụng cụ.

**LƯU Ý:** Trong khi đăng ký dụng cụ, không được kéo cần khởi động công tắc hoặc bật công tắc nguồn trên máy hút bụi.

**LƯU Ý:** Tham khảo cả tài liệu hướng dẫn về máy hút bụi.

Nếu bạn muốn kích hoạt máy hút bụi cùng với vận hành chuyển đổi dụng cụ, hãy hoàn tất đăng ký dụng cụ trước.

1. Lắp pin vào máy hút bụi và dụng cụ.
2. Gạt công tắc chờ trên máy hút bụi về "AUTO".  
▶ **Hình37:** 1. Công tắc chờ
3. Nhấn nút kích hoạt không dây trên máy hút bụi trong 3 giây cho đến khi đèn kích hoạt không dây nhấp nháy màu xanh lá. Và sau đó nhấn nút kích hoạt không dây trên dụng cụ theo cách tương tự.  
▶ **Hình38:** 1. Nút kích hoạt không dây 2. Đèn kích hoạt không dây

Nếu máy hút bụi và dụng cụ được kết nối thành công, đèn kích hoạt không dây sẽ sáng màu xanh lá trong 2 giây và bắt đầu nhấp nháy màu xanh dương.

**LƯU Ý:** Đèn kích hoạt không dây sẽ ngừng nhấp nháy màu xanh lá sau khoảng thời gian 20 giây. Nhấn nút kích hoạt không dây trên dụng cụ khi đèn kích hoạt không dây trên máy hút bụi đang nhấp nháy. Nếu đèn kích hoạt không dây không nhấp nháy màu xanh lá, bấm nút kích hoạt không dây một cách dứt khoát và đèn nút xuống lần nữa.

**LƯU Ý:** Khi thực hiện hai hay nhiều đăng ký dụng cụ cho một máy hút bụi, hãy hoàn tất từng đăng ký dụng cụ một.

## Khởi động chức năng kích hoạt không dây

**LƯU Ý:** Hoàn tất đăng ký dụng cụ cho máy hút bụi trước khi kích hoạt không dây.

**LƯU Ý:** Tham khảo cả tài liệu hướng dẫn về máy hút bụi.

Sau khi đăng ký dụng cụ cho máy hút bụi, máy hút bụi sẽ chạy tự động cùng với vận hành chuyển đổi của dụng cụ.

1. Lắp thiết bị thu và phát không dây vào dụng cụ.
2. Nối ống dẫn của máy hút bụi vào dụng cụ.  
▶ **Hình39**
3. Gạt công tắc chờ trên máy hút bụi về "AUTO".  
▶ **Hình40:** 1. Công tắc chờ
4. Đẩy dứt khoát nút kích hoạt không dây trên dụng cụ. Đèn kích hoạt không dây sẽ nhấp nháy màu xanh dương.  
▶ **Hình41:** 1. Nút kích hoạt không dây 2. Đèn kích hoạt không dây
5. Kéo cần khởi động công tắc của dụng cụ. Kiểm tra xem máy hút bụi có chạy trong khi cần khởi động công tắc được kéo hay không.

Để dừng việc kích hoạt không dây của máy hút bụi, nhấn nút kích hoạt không dây trên dụng cụ.

**LƯU Ý:** Đèn kích hoạt không dây trên dụng cụ sẽ dừng nhấp nháy màu xanh dương khi không vận hành 2 giờ. Trong trường hợp này, cài đặt công tắc chờ trên máy hút bụi về "AUTO" và nhấn nút kích hoạt không dây trên dụng cụ lần nữa.

**LƯU Ý:** Máy hút bụi khởi động/dừng lại với khoảng trì hoãn. Có một khoảng thời gian chậm lại khi máy hút bụi phát hiện việc vận hành chuyển đổi của dụng cụ.



**LƯU Ý:** Khoảng cách truyền của thiết bị thu và phát không dây có thể khác nhau tùy thuộc vào vị trí và hoàn cảnh xung quanh.

**LƯU Ý:** Khi hai hoặc nhiều dụng cụ được đăng ký cho một máy hút bụi, máy hút bụi có thể bắt đầu chạy ngay cả khi bạn không kéo cần khởi động công tắc vì một người dùng khác đang sử dụng chức năng kích hoạt không dây.

## Mô tả tình trạng đèn kích hoạt không dây

### ► Hình42: 1. Đèn kích hoạt không dây

Đèn kích hoạt không dây cho biết tình trạng của chức năng kích hoạt không dây. Tham khảo bảng bên dưới để biết ý nghĩa của tình trạng đèn.

Tình trạng	Đèn kích hoạt không dây				Mô tả
	Màu	 <b>Bật</b>	 <b>Nhấp nháy</b>	Khoảng thời gian	
Chờ	Màu xanh dương	<input checked="" type="checkbox"/>		2 giờ	Kích hoạt không dây của máy hút bụi là khả dụng. Đèn sẽ tự động tắt khi không vận hành 2 giờ.
		<input type="checkbox"/>		Khi dụng cụ đang chạy.	Kích hoạt không dây của máy hút bụi là khả dụng và dụng cụ đang chạy.
Đăng ký dụng cụ	Màu xanh lá	<input checked="" type="checkbox"/>		20 giây	Sẵn sàng để đăng ký dụng cụ. Chờ máy hút bụi đăng ký.
		<input type="checkbox"/>		2 giây	Đăng ký dụng cụ đã hoàn tất. Đèn kích hoạt không dây sẽ bắt đầu nhấp nháy màu xanh dương.
Hủy bỏ đăng ký dụng cụ	Màu đỏ	<input checked="" type="checkbox"/>		20 giây	Sẵn sàng để hủy bỏ đăng ký dụng cụ. Chờ máy hút bụi hủy bỏ.
		<input type="checkbox"/>		2 giây	Hủy bỏ đăng ký dụng cụ đã hoàn tất. Đèn kích hoạt không dây sẽ bắt đầu nhấp nháy màu xanh dương.
Khác	Màu đỏ	<input type="checkbox"/>		3 giây	Cấp nguồn cho thiết bị thu và phát không dây và chức năng kích hoạt không dây khởi động.
	Tắt	-		-	Kích hoạt không dây của máy hút bụi bị ngừng lại.

## Hủy bỏ đăng ký dụng cụ cho máy hút bụi

Thực hiện theo quy trình sau đây khi hủy bỏ đăng ký dụng cụ cho máy hút bụi.

- Lắp pin vào máy hút bụi và dụng cụ.
  - Gạt công tắc chờ trên máy hút bụi về "AUTO".
- Hình43: 1. Công tắc chờ
- Nhấn nút kích hoạt không dây trên máy hút bụi trong 6 giây. Đèn kích hoạt không dây nhấp nháy màu xanh lá và sau đó bật màu đỏ. Sau đó, nhấn nút kích hoạt không dây trên dụng cụ theo cách tương tự.
- Hình44: 1. Nút kích hoạt không dây 2. Đèn kích hoạt không dây

Nếu thực hiện hủy bỏ thành công, đèn kích hoạt không dây sẽ sáng màu đỏ trong 2 giây và bắt đầu nhấp nháy màu xanh dương.

**LƯU Ý:** Đèn kích hoạt không dây sẽ ngừng nhấp nháy màu đỏ sau khoảng thời gian 20 giây. Nhấn nút kích hoạt không dây trên dụng cụ khi đèn kích hoạt không dây trên máy hút bụi đang nhấp nháy. Nếu đèn kích hoạt không dây không nhấp nháy màu đỏ, bấm nút kích hoạt không dây một cách dứt khoát và để nút xuống lần nữa.

## Xử lý sự cố cho chức năng kích hoạt không dây

Trước khi yêu cầu sửa chữa, đầu tiên hãy tự tiến hành kiểm tra của riêng bạn. Nếu bạn phát hiện vấn đề nào đó không được giải thích trong sách hướng dẫn sử dụng này, đừng cố tháo dỡ dụng cụ. Thay vào đó, hãy nhờ Trung tâm dịch vụ Makita được ủy quyền, luôn sử dụng bộ phận thay thế của Makita để sửa chữa.

Tình trạng bất thường	Nguyên nhân tiềm tàng (sự cố hồng học)	Biện pháp khắc phục
Đèn kích hoạt không dây không sáng/nhấp nháy.	Thiết bị thu và phát không dây không được lắp vào dụng cụ.	Lắp thiết bị thu và phát không dây đúng cách.
	Thiết bị thu và phát không dây được lắp không đúng cách vào dụng cụ.	
	Điện cực của thiết bị thu và phát không dây và/hoặc khe bị bẩn.	Nhẹ nhàng lau sạch bụi bẩn trên điện cực của thiết bị thu và phát không dây và làm sạch khe.
	Nút kích hoạt không dây trên dụng cụ không được nhấn.	Đẩy dứt khoát nút kích hoạt không dây trên dụng cụ.
	Công tắc chờ trên máy hút bụi không được gạt về "AUTO".	Gạt công tắc chờ trên máy hút bụi về "AUTO".
	Không có nguồn cấp điện	Cấp điện cho dụng cụ và máy hút bụi.
Không thể hoàn tất đăng ký dụng cụ / hủy bỏ đăng ký dụng cụ thành công.	Thiết bị thu và phát không dây không được lắp vào dụng cụ.	Lắp thiết bị thu và phát không dây đúng cách.
	Thiết bị thu và phát không dây được lắp không đúng cách vào dụng cụ.	
	Điện cực của thiết bị thu và phát không dây và/hoặc khe bị bẩn.	Nhẹ nhàng lau sạch bụi bẩn trên điện cực của thiết bị thu và phát không dây và làm sạch khe.
	Công tắc chờ trên máy hút bụi không được gạt về "AUTO".	Gạt công tắc chờ trên máy hút bụi về "AUTO".
	Không có nguồn cấp điện	Cấp điện cho dụng cụ và máy hút bụi.
	Vận hành không chính xác	Nhấn dứt khoát nút kích hoạt không dây và thực hiện lại quy trình đăng ký/hủy bỏ dụng cụ.
	Dụng cụ và máy hút bụi cách xa nhau (ngoài phạm vi truyền).	Đặt dụng cụ và máy hút bụi gần nhau hơn. Khoảng cách truyền tối đa là khoảng 10 m, tuy nhiên có thể khác nhau tùy theo trường hợp.
	Trước khi hoàn tất đăng ký/hủy bỏ dụng cụ; - cần khởi động công tắc trên dụng cụ được kéo hoặc; - nút nguồn trên máy hút bụi được bật.	Nhấn dứt khoát nút kích hoạt không dây và thực hiện lại quy trình đăng ký/hủy bỏ dụng cụ.
	Quy trình đăng ký dụng cụ cho dụng cụ hoặc máy hút bụi chưa hoàn tất.	Thực hiện quy trình đăng ký dụng cụ cho cả dụng cụ và máy hút bụi cùng một lúc.
Nhiều sóng vô tuyến do các thiết bị có thể tạo ra sóng vô tuyến cường độ cao khác gây ra.	Giữ dụng cụ và máy hút bụi cách xa các thiết bị như các thiết bị Wi-Fi và lò vi sóng.	



Tình trạng bất thường	Nguyên nhân tiềm tàng (sự cố hồng hóc)	Biện pháp khắc phục
Máy hút bụi không hoạt động theo vận hành chuyển đổi dụng cụ.	Thiết bị thu và phát không dây không được lắp vào dụng cụ.	Lắp thiết bị thu và phát không dây đúng cách.
	Thiết bị thu và phát không dây được lắp không đúng cách vào dụng cụ.	
	Điện cực của thiết bị thu và phát không dây và/hoặc khe bị bẩn.	Nhẹ nhàng lau sạch bụi bẩn trên điện cực của thiết bị thu và phát không dây và làm sạch khe.
	Nút kích hoạt không dây trên dụng cụ không được nhấn.	Nhấn dứt khoát nút kích hoạt không dây và đảm bảo rằng đèn kích hoạt không dây đang nhấp nháy màu xanh dương.
	Công tắc chờ trên máy hút bụi không được gạt về "AUTO".	Gạt công tắc chờ trên máy hút bụi về "AUTO".
	Hơn 10 dụng cụ được đăng ký cho máy hút bụi.	Thực hiện lại đăng ký dụng cụ. Nếu có hơn 10 dụng cụ được đăng ký cho máy hút bụi, dụng cụ được đăng ký sớm nhất sẽ tự động bị hủy bỏ.
	Máy hút bụi đã xóa toàn bộ các đăng ký dụng cụ.	Thực hiện lại đăng ký dụng cụ.
	Không có nguồn cấp điện	Cấp điện cho dụng cụ và máy hút bụi.
	Dụng cụ và máy hút bụi cách xa nhau (ngoài phạm vi truyền).	Đặt dụng cụ và máy hút bụi gần nhau hơn. Khoảng cách truyền tối đa là khoảng 10 m, tuy nhiên có thể khác nhau tùy theo trường hợp.
Máy hút bụi chạy trong khi cần khởi động công tắc của dụng cụ không được kéo.	Nhiều sóng vô tuyến do các thiết bị có thể tạo ra sóng vô tuyến cường độ cao khác gây ra.	Giữ dụng cụ và máy hút bụi cách xa các thiết bị như các thiết bị Wi-Fi và lò vi sóng.
	Người dùng khác đang sử dụng kích hoạt không dây của máy hút bụi bằng dụng cụ của họ.	Tắt nút kích hoạt không dây của các dụng cụ khác hoặc hủy bỏ đăng ký dụng cụ của các dụng cụ khác.

## BẢO TRÌ

**⚠ THẬN TRỌNG:** Hãy luôn chắc chắn rằng dụng cụ đã được tắt và hộp pin đã được tháo ra trước khi cố gắng thực hiện việc kiểm tra hay bảo dưỡng.

**⚠ THẬN TRỌNG:** Làm sạch phần bảo vệ trên và dưới để đảm bảo không có mặt cưa và phoi tích tụ có thể cản trở hoạt động của hệ thống bảo vệ dưới. Hệ thống bảo vệ khỏi bụi bẩn có thể làm hạn chế việc vận hành đúng cách và có thể dẫn đến thương tích cá nhân nghiêm trọng. Cách hiệu quả nhất để thực hiện việc làm sạch này là sử dụng khí nén. Nếu thổi bụi ra khỏi các phần bảo vệ, hãy đảm bảo sử dụng thiết bị bảo vệ thở và mắt đúng cách.

**CHÚ Ý:** Không được phép dùng xăng, ét xăng, dung môi, cồn hoặc hóa chất tương tự. Có thể xảy ra hiện tượng mất màu, biến dạng hoặc nứt vỡ.

Để đảm bảo ĐỘ AN TOÀN và ĐỘ TIN CẬY của sản phẩm, việc sửa chữa hoặc bất cứ thao tác bảo trì, điều chỉnh nào đều phải được thực hiện bởi các Trung tâm Dịch vụ Nhà máy hoặc Trung tâm được Makita Ủy quyền và luôn sử dụng các phụ tùng thiết bị thay thế của Makita.

## Điều chỉnh độ chính xác của đường cắt 0° hoặc 45°

Điều chỉnh này đã được thực hiện tại nhà máy. Nhưng nếu điều chỉnh này bị tắt, bạn có thể điều chỉnh theo quy trình sau đây.

1. Nới lỏng cần gạt và ốc xiết ở phía trước và phía sau dụng cụ sao cho góc xiên có thể thay đổi được. Đặt để chặn ở góc xiên 0° - 45° nếu bạn định điều chỉnh độ chính xác của đường cắt 45°.

► **Hình45:** 1. Để chặn

2. Làm cho bề vuông góc hoặc tạo góc 45° so với lưỡi cưa đĩa sử dụng thước tam giác bằng cách dùng băng khóa lục giác xoay vít điều chỉnh. Bạn cũng có thể sử dụng thước hình vuông để điều chỉnh góc 0°.

► **Hình46:** 1. Quy tắc tam giác

► **Hình47:** 1. Vít điều chỉnh dành cho góc 0° 2. Vít điều chỉnh dành cho góc 45°

3. Vận chặt cần gạt và ốc xiết, sau đó thử cắt để kiểm tra nếu đạt đến góc mong muốn.

## Điều chỉnh cơ chế song song

Điều chỉnh này đã được thực hiện tại nhà máy. Nhưng nếu điều chỉnh này bị tắt, bạn có thể điều chỉnh theo quy trình sau đây.

1. Đặt dụng cụ sang chiều sâu cắt tối đa.
2. Đảm bảo rằng tất cả cần và vít được siết chặt. Nới lỏng nhẹ vít như minh họa.  
► **Hình48:** 1. Vít 2. Đế
3. Trong khi mở phần bảo vệ dưới, di chuyển bộ sau sao cho khoảng cách A và B bằng nhau.
4. Vặn chặt các vít và thử cắt để kiểm tra cơ chế song song.

## PHỤ KIỆN TỰ CHỌN

**⚠ THẬN TRỌNG:** Các phụ kiện hoặc phụ tùng gắn thêm này được khuyến cáo sử dụng với dụng cụ Makita của bạn theo như quy định trong hướng dẫn này. Việc sử dụng bất cứ phụ kiện hoặc phụ tùng gắn thêm nào khác đều có thể gây ra rủi ro thương tích cho người. Chỉ sử dụng phụ kiện hoặc phụ tùng gắn thêm cho mục đích đã quy định sẵn của chúng.

Nếu bạn cần bất kỳ sự hỗ trợ nào để biết thêm chi tiết về các phụ tùng này, hãy hỏi Trung tâm Dịch vụ của Makita tại địa phương của bạn.

- Lưỡi cưa đĩa
- Thanh cữ (Thước dẫn)
- Móc treo
- Ray dẫn hướng
- Thanh dẫn xiên góc
- Bàn kẹp
- Tấm đệm
- Tấm đệm cao su
- Tấm đệm định vị
- Bộ chuyển ray dẫn hướng
- Thanh thước
- Vòi xả bụi
- Cờ lê sáu cạnh
- Thiết bị thu và phát không dây (dành cho DHS661)
- Pin và bộ sạc chính hãng của Makita

**LƯU Ý:** Một số mục trong danh sách có thể được bao gồm trong gói dụng cụ làm phụ kiện tiêu chuẩn. Các mục này ở mỗi quốc gia có thể khác nhau.

## ข้อมูลจำเพาะ

รุ่น:	DHS660	DHS661
เส้นผ่านศูนย์กลางใบเลื่อย	165 mm	
ความลึกในการตัดสูงสุด	ที่ 0°	57 mm
	เอียง 45°	41 mm
	เอียง 50°	37 mm
ความเร็วหมุนเปล่า	5,000 min <sup>-1</sup>	
ความยาวโดยรวม	270 mm	
แรงดันไฟฟ้าสูงสุด	D.C. 18 V	
น้ำหนักสุทธิ	2.9 - 3.2 kg	

- เนื่องจากการค้นคว้าวิจัยและพัฒนาอย่างต่อเนื่อง ข้อมูลจำเพาะในเอกสารฉบับนี้อาจเปลี่ยนแปลงได้โดยไม่ต้องแจ้งให้ทราบล่วงหน้า
- ข้อมูลจำเพาะและตลับแบตเตอรี่อาจแตกต่างกันไปในแต่ละประเทศ
- น้ำหนักอาจแตกต่างกันไปตามอุปกรณ์เสริม รวมถึงตลับแบตเตอรี่ การติดอุปกรณ์เสริมที่เบาที่สุดและหนักที่สุดตามข้อบังคับของ EPTA 01/2014 มีแสดงอยู่ในตาราง

## ตลับแบตเตอรี่และเครื่องชาร์จที่ใช้ได้

ตลับแบตเตอรี่	BL1815N / BL1820 / BL1820B / BL1830 / BL1830B / BL1840 / BL1840B / BL1850 / BL1850B / BL1860B
เครื่องชาร์จ	DC18RC / DC18RD / DC18RE / DC18SD / DC18SE / DC18SF / DC18SH

- ตลับแบตเตอรี่และเครื่องชาร์จบางรายการที่แสดงอยู่ด้านบนอาจไม่มีวางจำหน่ายขึ้นอยู่กับภูมิภาคที่คุณอาศัยอยู่

**คำเตือน:** ใช้ตลับแบตเตอรี่และเครื่องชาร์จที่ระบุไว้ข้างบนเท่านั้น การใช้ตลับแบตเตอรี่และเครื่องชาร์จประเภทอื่นอาจก่อให้เกิดความเสี่ยงที่จะได้รับบาดเจ็บและ/หรือเกิดไฟไหม้

## สัญลักษณ์

ต่อไปนี้เป็นสัญลักษณ์ที่อาจใช้สำหรับอุปกรณ์ โปรดศึกษาความหมายของสัญลักษณ์ให้เข้าใจก่อนการใช้งาน



อ่านคู่มือการใช้งาน



สำหรับประเทศในสหภาพยุโรปเท่านั้น ห้ามทิ้งอุปกรณ์ไฟฟ้าหรือชุดแบตเตอรี่รวมกับขยะครัวเรือนทั่วไป! เพื่อให้เป็นไปตามกฎระเบียบของยุโรปเกี่ยวกับขยะจำพวกอุปกรณ์ไฟฟ้าและอิเล็กทรอนิกส์ และขยะจำพวกแบตเตอรี่และหม้อสะสมไฟฟ้า และการปฏิบัติตามกฎหมายในประเทศ ต้องเก็บอุปกรณ์ไฟฟ้าและแบตเตอรี่และชุดแบตเตอรี่ที่หมดอายุการใช้งานแล้วแยกต่างหาก และส่งกลับไปยังศูนย์รีไซเคิลที่เป็นมิตรต่อสิ่งแวดล้อม

## จุดประสงค์การใช้งาน

เครื่องมือนี้ใช้สำหรับทำการติดตั้งในแนวยาวและแนวขวาง และติดตั้งในเนื้อไม้ขณะสัมผัสกับชิ้นงานอย่างมั่นคง

## คำเตือนด้านความปลอดภัย

### คำเตือนด้านความปลอดภัยของเครื่องมือไฟฟ้าทั่วไป

**⚠ คำเตือน:** โปรดอ่านคำเตือนด้านความปลอดภัย คำแนะนำ ภาพประกอบ และข้อมูลจำเพาะต่างๆ ที่หามา กับเครื่องมือไฟฟ้านี้อย่างละเอียด การไม่ปฏิบัติตามคำแนะนำดังต่อไปนี้ อาจส่งผลให้เกิดไฟฟ้าช็อต ไฟไหม้ และ/หรือได้รับบาดเจ็บอย่างร้ายแรงได้

### เก็บรักษาคำเตือนและคำแนะนำทั้งหมดไว้

#### เป็นข้อมูลอ้างอิงในอนาคต

คำว่า “เครื่องมือไฟฟ้า” ในคำเตือนนี้หมายถึงเครื่องมือไฟฟ้า (มีสาย) ที่ทำงานโดยใช้กระแสไฟฟ้าหรือเครื่องมือไฟฟ้า (ไร้สาย) ที่ทำงานโดยใช้แบตเตอรี่

#### ความปลอดภัยของพื้นที่ทำงาน

1. ดูแลพื้นที่ทำงานให้มีความสะอาดและมีแสงไฟสว่าง พื้นที่รกกระเจะระกะหรือมืดทึบอาจนำไปสู่การเกิดอุบัติเหตุได้
2. อย่าใช้งานเครื่องมือไฟฟ้าในสภาพที่อาจเกิดการระเบิด เช่น ในสถานที่ที่มีของเหลว ก๊าซ หรือฝุ่นผงที่มีคุณสมบัติไวไฟ เครื่องมือไฟฟ้าอาจสร้างประกายไฟและจุดชนวนฝุ่นผงหรือก๊าซดังกล่าว
3. ดูแลไม่ให้มีเด็ก หรือบุคคลอื่นอยู่ในบริเวณที่กำลังใช้เครื่องมือไฟฟ้า การมีสิ่งรบกวนสมาธิอาจทำให้คุณสูญเสียการควบคุม

#### ความปลอดภัยด้านไฟฟ้า

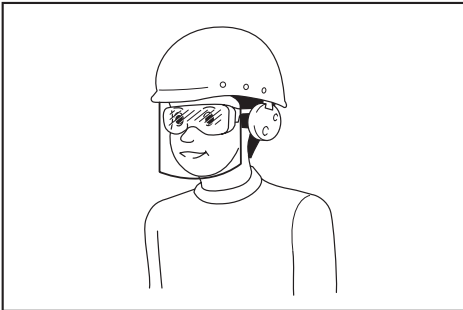
1. ปลั๊กของเครื่องมือไฟฟ้าต้องพอดีกับเต้ารับ อย่าดัดแปลงปลั๊กไม่ว่ากรณีใดๆ อย่าใช้ปลั๊กอะแดปเตอร์กับเครื่องมือไฟฟ้าที่ต่อสายดิน ปลั๊กที่ไม่ถูกดัดแปลงและเต้ารับที่เข้ากันพอดีจะช่วยลดความเสี่ยงของการเกิดไฟฟ้าช็อต
2. ระวังอย่าให้ร่างกายสัมผัสกับพื้นผิวที่ต่อสายดิน เช่น ท่อ เครื่องนำความร้อน เตาหุงต้ม และตู้เย็น มีความเสี่ยงที่จะเกิดไฟฟ้าช็อตสูงขึ้น หากร่างกายของคุณสัมผัสกับพื้น

3. อย่าให้เครื่องมือไฟฟ้าถูกน้ำหรืออยู่ในสภาพเปียกชื้น น้ำที่ไหลเข้าไปในเครื่องมือไฟฟ้าจะเพิ่มความเสี่ยงของการเกิดไฟฟ้าช็อต
4. อย่าใช้สายไฟอย่างไม่เหมาะสม อย่าใช้สายไฟเพื่อยก ดึง หรือถอดปลั๊กเครื่องมือไฟฟ้า เก็บสายไฟให้ห่างจากความร้อน น้ำมัน ของมีคม หรือชิ้นส่วนที่เคลื่อนที่ สายที่ชำรุดหรือพันกันจะเพิ่มความเสี่ยงของการเกิดไฟฟ้าช็อต
5. ขณะที่ใช้งานเครื่องมือไฟฟ้านอกอาคาร ควรใช้สายต่อพ่วงที่เหมาะสมกับงานภายนอกอาคาร การใช้งานที่เหมาะสมกับงานภายนอกอาคารจะลดความเสี่ยงของการเกิดไฟฟ้าช็อต
6. หากต้องใช้งานเครื่องมือไฟฟ้าในสถานที่เปียกชื้น ให้ใช้อุปกรณ์ป้องกันกระแสไฟรั่ว (RCD) การใช้ RCD จะลดความเสี่ยงของการเกิดไฟฟ้าช็อต
7. เครื่องมือไฟฟ้าอาจสร้างสนามแม่เหล็ก (EMF) ที่ไม่เป็นอันตรายต่อผู้ใช้ อย่างไรก็ตาม ผู้ใช้ที่ใส่เครื่องกระตุ้นหัวใจและอุปกรณ์ทางการแพทย์ที่คล้ายกันนี้ ควรติดต่อผู้ผลิตอุปกรณ์และ/หรือแพทย์เพื่อรับคำแนะนำก่อนใช้งานเครื่องมือไฟฟ้านี้

#### ความปลอดภัยส่วนบุคคล

1. ให้ระมัดระวังและเมตตาอยู่เสมอขณะใช้งานเครื่องมือไฟฟ้า อย่าใช้งานเครื่องมือไฟฟ้าในขณะที่คุณกำลังเหนื่อย หรือในสภาพที่มีเมฆมากกายเสฟติด เครื่องดื่ม แอลกอฮอล์ หรือการไช้ยา ช่วงขณะที่ขาดความระมัดระวังเมื่อกำลังใช้งานเครื่องมือไฟฟ้าอาจทำให้ได้รับบาดเจ็บร้ายแรง
2. ใช้อุปกรณ์ป้องกันส่วนบุคคล สวมแว่นตาป้องกันเสมอ อุปกรณ์ป้องกัน เช่น หน้ากากกันฝุ่น รองเท้านิรภัย กันลื่น หมวกนิรภัย หรือเครื่องป้องกันการได้ยินที่ใช้ในสภาพที่เหมาะสมจะช่วยลดการบาดเจ็บ
3. ป้องกันไม่ให้เกิดการเปิดใช้งานโดยไม่ตั้งใจ ตรวจสอบให้แน่ใจว่าสวิตช์ปิดอยู่ก่อนที่จะเชื่อมต่อกับแหล่งจ่ายไฟ และ/หรือชุดแบตเตอรี่ รวมทั้งตรวจสอบก่อนการยกหรือเคลื่อนย้ายเครื่องมือ การสอดนิ้วมือบริเวณสวิตช์เพื่อถือเครื่องมือไฟฟ้า หรือการชาร์จไฟเครื่องมือไฟฟ้าในขณะที่เปิดสวิตช์อยู่อาจนำไปสู่การเกิดอุบัติเหตุ
4. นักกฎหมายปรับตั้งหรือประแจออกก่อนที่จะเปิดเครื่องมือไฟฟ้า ประแจหรือกฎหมายที่เสียบค้างอยู่ในชิ้นส่วนที่หมุนได้ของเครื่องมือไฟฟ้าอาจทำให้ได้รับบาดเจ็บ
5. อย่าทำงานในระยะที่สูดเอื้อม จัดท่ากรายืนและการทรงตัวให้เหมาะสมตลอดเวลา เพราะจะทำให้ควบคุมเครื่องมือไฟฟ้าได้ดีขึ้นในสถานการณ์ที่ไม่คาดคิด

6. แต่งกายให้เหมาะสม อย่าสวมเครื่องแต่งกายที่หลวมเกินไป หรือสวมเครื่องประดับ ดูแลไม่ให้เส้นผมและเสื้อผ้าอยู่ใกล้ชิ้นส่วนที่เคลื่อนที่ เสื้อผ้ารุ่มร่าม เครื่องประดับ หรือผมที่มีความยาวอาจเข้าไปติดในชิ้นส่วนที่เคลื่อนที่
7. หากมีการจัดอุปกรณ์สำหรับดูดและจับฝุ่นไว้ในสถานที่ ให้ตรวจสอบว่าได้เชื่อมต่อและใช้งานอุปกรณ์นั้นอย่างเหมาะสม การใช้เครื่องดูดและจับฝุ่นจะช่วยลดอันตรายที่เกิดจากฝุ่นผงได้
8. อย่าให้ความดันเคຍจากการใช้งานเครื่องมือเป็นประจำทำให้คุณทำตัวตามสบายและละเลยหลักการเพื่อความปลอดภัยในการใช้เครื่องมือ การกระทำที่ไม่ระมัดระวังอาจทำให้เกิดการบาดเจ็บร้ายแรงภายในเสี้ยววินาที
9. สวมใส่แว่นครอบตาที่รับภัยเพื่อปกป้องดวงตาของคุณจากการบาดเจ็บเมื่อใช้เครื่องมือไฟฟ้า แว่นครอบตาจะต้องได้มาตรฐาน ANSI Z87.1 ในสหรัฐอเมริกา, EN 166 ในยุโรป หรือ AS/NZS 1336 ในออสเตรเลีย/นิวซีแลนด์ ในออสเตรเลีย/นิวซีแลนด์ จะต้องสวมเกราะป้องกันใบหน้าเพื่อปกป้องใบหน้าของคุณอย่างถูกต้องตามกฎหมายด้วย



ผู้ว่าจ้างมีหน้าที่รับผิดชอบในการบังคับผู้ใช้งานเครื่องมือและบุคคลอื่นๆ ที่อยู่ในบริเวณที่ปฏิบัติงานให้ใช้อุปกรณ์ป้องกันที่เหมาะสม

#### การใช้และดูแลเครื่องมือไฟฟ้า

1. อย่าฝืนใช้เครื่องมือไฟฟ้า ใช้เครื่องมือไฟฟ้าที่เหมาะสมกับการใช้งานของคุณ เครื่องมือไฟฟ้าที่เหมาะสมจะทำให้ได้งานที่มีประสิทธิภาพและปลอดภัยกว่าตามขีดความสามารถของเครื่องที่ได้รับการออกแบบมา
2. อย่าใช้เครื่องมือไฟฟ้า หากสวิตช์ไม่สามารถเปิดปิดได้ เครื่องมือไฟฟ้าที่ควบคุมด้วยสวิตช์ไม่ได้เป็นสิ่งอันตรายและต้องได้รับการซ่อมแซม

3. ถอดปลั๊กจากแหล่งจ่ายไฟ และ/หรือชุดแบตเตอรี่ออกจากเครื่องมือไฟฟ้าก่อนทำการปรับตั้ง เปลี่ยนอุปกรณ์เสริม หรือจัดเก็บเครื่องมือไฟฟ้า วิธีการป้องกันด้านความปลอดภัยดังกล่าวจะช่วยลดความเสี่ยงในการเปิดใช้งานเครื่องมือไฟฟ้าโดยไม่ตั้งใจ
4. จัดเก็บเครื่องมือไฟฟ้าที่ไม่ได้ใช้งานให้ห่างจากมือเด็ก และอย่าอนุญาตให้บุคคลที่ไม่คุ้นเคยกับเครื่องมือไฟฟ้าหรือคำแนะนำเหล่านี้ใช้งานเครื่องมือไฟฟ้า เครื่องมือไฟฟ้าจะเป็นอันตรายเมื่ออยู่ในมือของผู้ที่ไม่ได้รับการฝึกอบรม
5. บำรุงรักษาเครื่องมือไฟฟ้าและอุปกรณ์เสริม ตรวจสอบการประกอบที่ไม่ถูกต้องหรือการเชื่อมต่อของชิ้นส่วนที่เคลื่อนที่ การแตกหักของชิ้นส่วน หรือสภาพอื่นๆ ที่อาจส่งผลกระทบต่อการทำงานของเครื่องมือไฟฟ้า หากมีความเสียหาย ให้นำเครื่องมือไฟฟ้าไปซ่อมแซมก่อนการใช้งาน อุบัติเหตุจำนวนมากเกิดจากการดูแลรักษาเครื่องมือไฟฟ้าอย่างไม่ถูกต้อง
6. ทำความสะอาดเครื่องมือตัดและลับให้คมอยู่เสมอ เครื่องมือการตัดที่มีการดูแลอย่างถูกต้องและมีขอบการตัดคมมักจะมีปัญหาติดขัดน้อยและควบคุมได้ง่ายกว่า
7. ใช้เครื่องมือไฟฟ้า อุปกรณ์เสริม และวัสดุสิ้นเปลือง ฯลฯ ตามคำแนะนำดังกล่าว พิจารณาสภาพการทำงานและงานที่จะลงมือทำ การใช้เครื่องมือไฟฟ้าเพื่อทำงานอื่นนอกเหนือจากที่กำหนดไว้อาจทำให้เกิดอันตราย
8. ดูแลมือจับและบริเวณมือจับให้แห้ง สะอาด และไม่มีน้ำมันและจาระบีเปื้อน มือจับและบริเวณมือจับที่ลื่นจะทำให้ไม่สามารถจับและควบคุมเครื่องมือได้อย่างปลอดภัยในสถานการณ์ที่ไม่คาดคิด
9. ขณะใช้งานเครื่องมือ อย่าสวมใส่ถุงมือผ้าที่อาจเข้าไปติดในเครื่องมือได้ หากถุงมือผ้าเข้าไปติดในชิ้นส่วนที่กำลังเคลื่อนที่ที่อยู่อาจทำให้ได้รับบาดเจ็บ

#### การใช้งานและดูแลเครื่องมือที่ใช้แบตเตอรี่

1. ชาร์จไฟใหม่ด้วยเครื่องชาร์จที่ระบุโดยผู้ผลิตเท่านั้น เครื่องชาร์จที่เหมาะสมสำหรับชุดแบตเตอรี่ประเภทนี้อาจเสี่ยงที่จะเกิดไฟไหม้หากนำไปใช้กับชุดแบตเตอรี่อีกประเภทหนึ่ง
2. ใช้เครื่องมือไฟฟ้ากับชุดแบตเตอรี่ที่กำหนดมาโดยเฉพาะเท่านั้น การใช้ชุดแบตเตอรี่ประเภทนี้อาจทำให้เสี่ยงที่จะได้รับบาดเจ็บและเกิดไฟไหม้

- เมื่อไม่ใช้งานชุดแบตเตอรี่ ให้เก็บห่างจากวัตถุที่เป็นโลหะอื่นๆ เช่น คลิปหนีบกระดาษ เหรียญ กุญแจ กรรไกรตัดเล็บ สกรู หรือวัตถุที่เป็นโลหะขนาดเล็กอื่นๆ ที่สามารถเชื่อมต่อชั่วคราวกับอีกขั้วหนึ่งได้ การลัดวงจรขั้วแบตเตอรี่อาจทำให้ร้อนจัดหรือเกิดไฟไหม้
- ในกรณีที่ใช้งานไม่ถูกต้อง อาจมีของเหลวไหลออกจากแบตเตอรี่ ให้หลีกเลี่ยงการสัมผัส หากสัมผัสโดนของเหลวโดยไม่ตั้งใจ ให้ล้างออกด้วยน้ำ หากของเหลวกระเด็นเข้าตา ให้รีบไปพบแพทย์ ของเหลวที่ไหลออกจากแบตเตอรี่อาจทำให้ผิวหนังระคายเคืองหรือไหม้
- ห้ามใช้ชุดแบตเตอรี่หรือเครื่องมือที่ชำรุดหรือมีการแก้ไข แบตเตอรี่ที่เสียหายหรือมีการแก้ไขอาจทำให้เกิดสิ่งที่ไม่ถึงได้ เช่น ไฟไหม้ ระเบิด หรือเสี่ยงต่อการบาดเจ็บ
- ห้ามใช้ชุดแบตเตอรี่อยู่ใกล้ไฟ หรือบริเวณที่มีอุณหภูมิสูงเกิน หากโดนไฟ หรืออุณหภูมิสูงเกิน 130 °C อาจก่อให้เกิดการระเบิดได้
- กรุณาปฏิบัติตามคำแนะนำสำหรับการชาร์จไฟ และห้ามชาร์จแบตเตอรี่หรือเครื่องมือในบริเวณที่มีอุณหภูมินอกเหนือไปจากที่ระบุในคำแนะนำ การชาร์จไฟที่ไม่เหมาะสม หรืออุณหภูมินอกเหนือไปจากช่วงอุณหภูมิที่ระบุในคำแนะนำอาจทำให้แบตเตอรี่เสียหายและเป็นการเพิ่มความเสี่ยงในการเกิดไฟไหม้

#### การซ่อมบำรุง

- นำเครื่องมือไฟฟ้าเข้ารับบริการจากช่างซ่อมที่ผ่านการรับรองโดยใช้อะไหล่แบบเดียวกันเท่านั้น เพราะจะทำให้การใช้เครื่องมือไฟฟ้ามีความปลอดภัย
- ห้ามใช้ชุดแบตเตอรี่ที่เสียหาย ชุดแบตเตอรี่ที่ใช้ควรเป็นชุดที่มาจากผู้ผลิต หรือผู้ให้บริการที่ได้รับอนุญาตเท่านั้น
- ปฏิบัติตามคำแนะนำในการหลอ่สนและการเปลี่ยนอุปกรณ์เสริม

### คำเตือนด้านความปลอดภัยของเลื่อยวงกลมไร้สาย

#### ขั้นตอนการตัด

- ▲อันตราย:** ระวังอย่าให้มือสัมผัสกับพื้นที่การตัดและใบเลื่อย วางมืออีกข้างของคุณไว้บนมือจับเสริมหรือตัวมอเตอร์ ถ้าคุณจับเลื่อยไว้ทั้งสองมือ มือของคุณจะไม่ถูกใบเลื่อยบาด
- อย่าเอื้อมไปได้ชิ้นงาน อุปกรณ์ป้องกันไม่สามารถป้องกันคุณจากใบเลื่อยได้ชิ้นงานใด

- ปรับความลึกในการตัดให้เข้ากับความหนาของชิ้นงาน คุณควรมองเห็นฟันของใบเลื่อยได้ชิ้นงานแบบไม่เต็มซี่
- ห้ามถือชิ้นงานด้วยมือหรือวางพาดขาขณะตัด ยึดชิ้นงานไว้กับแท่นที่มั่นคง การยึดชิ้นงานอย่างถูกต้องจะลดความเสี่ยงที่อวัยวะของร่างกายจะได้รับอันตรายจากเครื่องมือ ใบเลื่อยติดในชิ้นงาน หรือการสูญเสียการควบคุม

#### ► หมายเลข 1

- ถือเครื่องมือไฟฟ้าที่ส่วนมือจับหุ้มฉนวนเมื่อทำการตัดซึ่งเครื่องมือตัดอาจสัมผัสสายไฟที่ซ่อนอยู่ใต้ การสัมผัสกับสายไฟที่ “มีกระแสไฟฟ้าไหลผ่าน” จะทำให้ส่วนที่เป็นโลหะของเครื่องมือไฟฟ้าที่ไม่มีฉนวนหุ้ม “มีกระแสไฟฟ้าไหลผ่าน” และอาจทำให้ผู้ปฏิบัติงานถูกไฟฟ้าช็อตได้
- ขณะที่ทำการตัด ให้ใช้ฉากตัดหรือตัวนำขอบตรงเสมอ ซึ่งจะช่วยเพิ่มความแม่นยำในการตัดและลดโอกาสที่ใบเลื่อยจะติดขัดได้
- ใช้ใบเลื่อยที่มีขนาดและรูปทรง (ทรงข้าวหลามตัดหรือทรงกลม) ของรูปร่างที่ถูกต้องเสมอ ใบเลื่อยที่ไม่เข้าคู่กับบาร์ดแนวรีของเลื่อยนี้จะหลุดออกจากศูนย์กลาง เป็นเหตุให้สูญเสียการควบคุมได้
- ห้ามใช้แหวนหรือสลักเกลียวใบเลื่อยที่เสียหายหรือไม่ถูกต้อง แหวนและสลักเกลียวใบเลื่อยได้รับการออกแบบมาเป็นพิเศษสำหรับเลื่อยของคุณเพื่อให้เกิดประสิทธิภาพสูงสุดและความปลอดภัยในการทำงาน

#### สาเหตุของการติดกลับและคำเตือนที่เกี่ยวข้อง

- การติดกลับ คือปฏิกิริยาสะท้อนกลับนับพันล้านเนื่องจากใบเลื่อยถูกบีบแน่นจนเกินไป ใบเลื่อยติด หรือไม่ได้ถูกจัดให้อยู่ในตำแหน่งที่ถูกต้อง เป็นเหตุให้เลื่อยที่สูญเสียการควบคุมตั้งขึ้นและหลุดจากชิ้นงานติดกลับมายังตัวผู้ปฏิบัติงาน
- เมื่อใบเลื่อยถูกบีบ หรือติดแน่นกับร่องตัด ใบเลื่อยจะหยุดกลางคัน และปฏิกิริยาของมอเตอร์จะส่งผลให้เครื่องติดกลับมายังผู้ปฏิบัติงานอย่างรวดเร็ว
- ถ้าใบเลื่อยบิดงอหรือประกอบไม่ถูกต้องคಾಯุในรอยตัดแล้ว ฟันเลื่อยตรงส่วนหลังของใบเลื่อยอาจกินเข้าไปในพื้นที่ด้านบนสุดของไม้ ทำให้ใบเลื่อยหลุดออกนอกร่องตัดและดังกลับเข้าหาผู้ปฏิบัติงานได้ การติดกลับเป็นผลมาจากการใช้เลื่อยผิดจุดประสงค์และ/หรือการใช้ผิดวิธี และสามารถป้องกันได้ด้วยวิธีการป้องกันดังต่อไปนี้

- จับเลื่อยให้มันโดยใช้ทั้งสองมือและวางตำแหน่งแขนของคุณเพื่อให้สามารถทนแรงตีดกลับได้ วางตำแหน่งร่างกายของคุณไว้ด้านใดด้านหนึ่งของใบเลื่อย แต่อย่าอยู่ในแนวเดียวกับกับใบเลื่อย การตีดกลับอาจทำให้เลื่อยเด็นกลับ แต่แรงตีดกลับนี้สามารถควบคุมได้โดยผู้ปฏิบัติงานหากมีการระมัดระวังไว้ล่วงหน้าอย่างเหมาะสม
- เมื่อใบเลื่อยติดขัด หรือเมื่อต้องหยุดการตัดด้วยเหตุใดก็ตาม ให้ปล่อยสวิตช์ซึ่งงานและถือเลื่อยค้างไว้ในวัสดุเฉยๆ จนกว่าใบเลื่อยจะหยุดสนิท ห้ามพยายามถอดเลื่อยออกจากชิ้นงานหรือดึงเลื่อยถอยหลังขณะที่ใบเลื่อยยังเคลื่อนไหว มิฉะนั้นอาจเกิดการตีดกลับได้ ตรวจสอบและแก้ไขเพื่อกำจัดสาเหตุที่ทำให้ใบเลื่อยติดขัด
- เมื่อเริ่มเดินเครื่องในชิ้นงานอีกครั้ง ให้วางใบเลื่อยตรงกลางร่องตัด เพื่อไม่ให้ฟันเลื่อยติดกับวัสดุ หากใบเลื่อยติด อาจส่งผลให้เครื่องเด็นขึ้นหรือตีดกลับจากชิ้นงานในขณะที่เริ่มเดินเครื่องใหม่
- รองรับแผ่นที่มีขนาดใหญ่เพื่อลดความเสี่ยงที่ใบเลื่อยจะถูกบีบและตีดกลับ แผ่นที่มีขนาดใหญ่มีแนวโน้มที่จะแอ่นลงเนื่องจากน้ำหนักของแผ่นเอง ควรวางที่รองรับไว้ใต้แผ่นทั้งสองด้านให้ใกล้กับเส้นรอยตัดและใกล้ขอบของแผ่น

▶ **หมายเลข 2**

▶ **หมายเลข 3**

- อย่าใช้ใบเลื่อยที่ทื่อหรือเสียหาย ใบเลื่อยที่ไม่คมหรือติดตั้งไม่เหมาะสมจะทำให้ร่องตัดแคบ ทำให้เกิดการเสียดสีมากเกินควร ใบเลื่อยอาจติดขัด หรือตีดกลับได้
- ก้านถือปรับความลึกของใบเลื่อยและมุมเอียงจะต้องแน่นและมั่นคงก่อนทำการตัด ถ้าตัวปรับใบเลื่อยเคลื่อนที่ระหว่างกรตัด อาจทำให้เกิดการติดขัดและตีดกลับ
- ใช้ความระมัดระวังเป็นพิเศษขณะทำการเลื่อยกำแพงที่มีอยู่แล้วหรือพื้นที่มุมอับอื่นๆ ใบเลื่อยที่ยื่นออกไปอาจตัดโดนสิ่งต่างๆ ที่ทำให้เกิดการตีดกลับ
- จับเครื่องมือให้แน่นด้วยมือทั้งสองข้างเสมอ ห้ามวางมือ ขา หรือส่วนของร่างกายไว้ได้ฐานเครื่องมือหรือด้านหลังเลื่อย โดยเฉพาะในขณะที่ทำการตัดเป็นรูปกากบาท หากเกิดการตีดกลับ ใบเลื่อยจะสามารถเด็นกลับเข้าหามือของคุณทำให้ได้รับบาดเจ็บรุนแรง

▶ **หมายเลข 4**

- ห้ามใช้แรงกดบนเลื่อย ดันเลื่อยไปข้างหน้าด้วยความเร็วที่ใบเลื่อยจะตัดได้โดยไม่หมุนช้าลง การใช้แรงกดบนเลื่อยอาจทำให้รอยตัดไม่เท่ากัน สูญเสียความแม่นยำ และอาจเกิดการตีดกลับ

**การทำงานของอุปกรณ์ป้องกัน**

- ตรวจสอบให้ที่ป้องกันด้านล่างปิดอยู่ในตำแหน่งที่เหมาะสมก่อนการใช้งานทุกครั้ง อย่าใช้งานเลื่อยหากที่ป้องกันด้านล่างไม่สามารถเคลื่อนที่ได้อย่างอิสระและปิดสนิทที่ ย่าหนีบหรือมุกที่ป้องกันด้านล่างไว้ในตำแหน่งเปิดค้างไว้ ถ้าทำเลื่อยตกอย่างไม่ได้ตั้งใจที่ป้องกันด้านล่างอาจเด้ย ยกที่ป้องกันด้านล่างขึ้นด้วยมือจับรั้งและตรวจสอบว่าอุปกรณ์เคลื่อนที่ได้ อย่างอิสระและไม่สัมผัสกับใบเลื่อยหรือส่วนอื่นใดในทุกลมและทุกระดับความลึกในการตัด
- ตรวจสอบการทำงานของสปริงที่ป้องกันด้านล่าง ถ้าอุปกรณ์ป้องกันและสปริงทำงานไม่ถูกต้อง ก็ควรต้องซ่อมแซมก่อนใช้งาน ที่ป้องกันด้านล่างอาจทำงานอย่างผิดๆ เนื่องจากมีชิ้นส่วนที่เสียหาย เช่นมาหนีบหรือผู้มองที่สะสม
- คุณอาจพบเก็บที่ป้องกันด้านล่างด้วยตนเองสำหรับการตัดแบบพิเศษเช่น “จ้วงตัด” และ “ตัดแบบผสม” ยกที่ป้องกันด้านล่างด้วยมือจับรั้ง และเมื่อใบเลื่อยตัดเข้าเนื้อวัสดุ ให้ปล่อยที่ป้องกันด้านล่าง สำหรับการเลื่อยอื่นๆ ที่ป้องกันด้านล่างควรทำงานโดยอัตโนมัติ
- สังเกตเสมอว่าที่ป้องกันด้านล่างครอบใบเลื่อยอยู่ก่อนที่จะวางเลื่อยลงบนที่นั่งหรือพื้น ใบเลื่อยที่ยังหมุนอยู่และไม่มีการป้องกันจะทำให้เลื่อยขยับถอยหลังและตัดทุกสิ่งที่อยู่ในรัศมี คุณต้องตระหนักถึงระยะเวลาที่ใบเลื่อยจะหยุดหลังจากปล่อยสวิตช์แล้ว
- เมื่อต้องการตรวจสอบที่ป้องกันด้านล่าง ให้เปิดที่ป้องกันด้านล่างด้วยมือ จากนั้นให้ปล่อยและดูการปิดของที่ป้องกัน และตรวจสอบว่ามีมือจับรั้งไม่สัมผัสกับกรอบเครื่องมือ การเปิดใบเลื่อยเปลือยเป็นอันตรายอย่างมากและอาจทำให้เกิดการบาดเจ็บร้ายแรง

**คำเตือนด้านความปลอดภัยเพิ่มเติม**

- ใช้ความระมัดระวังเป็นพิเศษในการตัดไม้ที่เปียกชื้น ไม้ที่ผ่านการใช้แรงอัด หรือไม้ที่มีเนื้อติดต่อยุ่ ค่อยๆ ดันเครื่องมือไปอย่างราบรื่นโดยไม่ลดความเร็วของใบเลื่อยเพื่อไม่ให้ปลายใบเลื่อยร่อนเกินไป
- อย่าพยายามถอดวัสดุตัดออกขณะที่ใบเลื่อยยังเคลื่อนไหวอยู่ รอจนกว่าใบเลื่อยจะหยุดแล้วจึงค่อยจับวัสดุตัด ใบเลื่อยยังหมุนหลังจากปิดเครื่องแล้ว
- หลีกเลี่ยงการตัดตะปู ตรวจสอบและถอนตะปูทั้งหมดออกจากไม้ก่อนทำการตัด

4. วางส่วนฐานเลื่อยด้านที่กว้างกว่าไว้บนส่วนของชิ้นงานที่มีการรองรับอย่างมั่นคงแล้ว ไม่วางบนส่วนที่จะตกลงไปเมื่อทำการตัดเสร็จ ถ้าชิ้นงานสั้นหรือมีขนาดเล็กลง ให้หนีบไว้ อย่าพยายามจับชิ้นส่วนสั้นๆ ด้วยมือ!

► หมายเลข 5

5. ก่อนวางเครื่องมือลงหลังจากทำการตัดเสร็จแล้ว ให้ตรวจสอบว่าที่ป้องกันปิดแล้วและใบเลื่อยหยุดสนิท
6. อย่าพยายามเลื่อยโดยใช้ที่จับหรือสิ่งอื่นๆ จับเลื่อย วงกลมหงายขึ้น การกระทำนี้อันตรายเป็นอย่างมาก และอาจนำไปสู่อุบัติเหตุร้ายแรงได้

► หมายเลข 6

7. วัสดุบางอย่างอาจมีสารเคมีที่เป็นพิษ ระวังอย่าสูดดมฝุ่นหรือสัมผัสกับผิวหนัง ปฏิบัติตามข้อมูลด้านความปลอดภัยของผู้ผลิตรายใด
8. อย่าหยุดใบเลื่อยด้วยการกดด้านข้างของใบเลื่อย
9. อย่าใช้ล๊อคชัตไจ
10. ใช้ใบเลื่อยที่มีเส้นผ่านศูนย์กลางตามที่ทำเครื่องหมายไว้บนเครื่องมือหรือระบุไว้ในคู่มือเท่านั้น การใช้ใบเลื่อยที่มีขนาดไม่ถูกต้องอาจส่งผลกระทบต่อการทำงานของใบเลื่อยอย่างเหมาะสมหรือการทำงานของอุปกรณ์ป้องกันซึ่งอาจส่งผลให้เกิดการบาดเจ็บร้ายแรง
11. ทำความสะอาดใบเลื่อยและลับให้คมอยู่เสมอ อย่างไ้เหนียวและยางที่แข็งตัวอยู่บนใบเลื่อยจะทำให้เลื่อยหมุนช้าลงและเพิ่มโอกาสในการติดกลับ รักษาความสะอาดของใบเลื่อยโดยเริ่มจากถอดใบเลื่อยออกจากเครื่องมือ แล้วทำความสะอาดด้วยน้ำยาทำความสะอาด น้ำร้อน หรือน้ำมันก๊าด ห้ามใช้น้ำมันเชื้อเพลิงเด็ดขาด
12. สวมหน้ากากกันฝุ่นและเครื่องป้องกันการได้ยินขณะใช้งานเครื่องมือ
13. ใช้ใบเลื่อยที่เหมาะสมกับวัสดุที่ต้องการจะตัดเสมอ
14. ใช้ใบเลื่อยที่มีความเร็วที่กำหนดบนใบเลื่อยเท่ากับหรือมากกว่าความเร็วที่กำหนดบนเครื่องมือเท่านั้น
15. (สำหรับประเทศในทวีปยุโรปเท่านั้น) ใช้ใบเลื่อยที่สอดคล้องตามมาตรฐาน EN847-1 เสมอ
16. วางเครื่องมือและชิ้นส่วนบนพื้นผิวเรียบและมั่นคง ไม่เช่นนั้นเครื่องมือหรือชิ้นส่วนอาจตกและทำให้เกิดการบาดเจ็บได้

**ปฏิบัติตามคำแนะนำเหล่านี้**

**⚠ คำเตือน:** อย่าให้ความไม่ระมัดระวังหรือความคุ้นเคยกับผลิตภัณฑ์ (จากการใช้งานซ้ำหลายครั้ง) อยู่เหนือการปฏิบัติตามกฎเกณฑ์ด้านความปลอดภัยในการใช้งาน ผลิตภัณฑ์อย่างเครื่องจักร การใช้งานอย่างไม่เหมาะสมหรือการไม่ปฏิบัติตามกฎเกณฑ์ด้านความปลอดภัยในคู่มือการใช้งานนี้อาจทำให้ได้รับบาดเจ็บร้ายแรง

**คำแนะนำเพื่อความปลอดภัยที่สำคัญสำหรับดัลลิบแบตเตอรี**

1. ก่อนใช้งานดัลลิบแบตเตอรีให้อ่านคำแนะนำและเครื่องหมายเตือนทั้งหมดบน (1) เครื่องชาร์จแบตเตอรี่ (2) แบตเตอรี และ (3) ตัวผลิตภัณฑ์ที่ใช้แบตเตอรี่
2. อย่าถอดแยกชิ้นส่วนหรือทำการดัดแปลงดัลลิบแบตเตอรี เนื่องจากอาจทำให้เกิดไฟไหม้ ความร้อนที่สูงเกินไป หรือระเบิดได้
3. หากระยะเวลาที่เครื่องทำงานสั้นเกินไป ให้หยุดใช้งานทันที เนื่องจากอาจมีความเสี่ยงที่จะร้อนจัดไหม้หรือระเบิดได้
4. หากสารละลายอิเล็กโทรไลต์กระเด็นเข้าตา ให้ล้างออกด้วยน้ำเปล่าและรีบไปพบแพทย์ทันที เนื่องจากอาจทำให้ตาบอด
5. ห้ามลัดวงจรดัลลิบแบตเตอรี:
  - (1) ห้ามแตะขั้วกับวัตถุที่เป็นสื่อนำไฟฟ้าใดๆ
  - (2) หลีกเลี่ยงการเก็บดัลลิบแบตเตอรีไว้ในภาชนะร่วมกับวัตถุที่เป็นโลหะ เช่น กรรไกรตัดเล็บ เหรียญ ฯลฯ
  - (3) อย่าให้ดัลลิบแบตเตอรีถูกน้ำหรือฝน แบตเตอรีลัดวงจรอาจทำให้เกิดการไหลของกระแสไฟฟ้า ร้อนจัด ไหม้หรือเสียหายได้
6. ห้ามเก็บและใช้เครื่องมือและดัลลิบแบตเตอรีไว้ในสถานที่ที่อุณหภูมิสูงถึงหรือเกิน 50 °C (122 °F)
7. ห้ามเผาตลับแบตเตอรี่ทิ้ง แม้ว่าแบตเตอรี่จะเสียหายจนใช้งานได้หรือเสื่อมสภาพแล้ว ดัลลิบแบตเตอรีอาจจะระเบิดในกองไฟ
8. อย่าตกตะปู ตัด บด ข้าง หรือทำดัลลิบแบตเตอรีหล่นพื้น หรือกระแทกดัลลิบแบตเตอรีกับวัตถุของแข็ง การกระทำดังกล่าวอาจส่งผลให้เกิดไฟไหม้ ความร้อนที่สูงเกินไป หรือระเบิดได้
9. ห้ามใช้แบตเตอรี่ที่เสียหาย



10. แบตเตอรี่ที่มีไอออนที่เข้ามาในนั้นเป็นไปตามข้อกำหนดของ Dangerous Goods Legislation สำหรับการขนส่งเพื่อการพาณิชย์ เช่น โดยบุคคลที่สาม ตัวแทนขนส่งสินค้า จะต้องตรวจสอบข้อกำหนดพิเศษในด้านความปลอดภัยหรือการติดป้ายสินค้าในการเตรียมสินค้าที่จะขนส่ง ให้ปรึกษาผู้เชี่ยวชาญด้านวัตถุอันตราย โปรดตรวจสอบข้อกำหนดในประเทศที่อาจมีรายละเอียดอื่น ๆ เพิ่มเติม ให้ติดเทปหรือปิดหน้าสัมผัสและห่อแบตเตอรี่ในลักษณะที่แบตเตอรี่จะไม่เคลื่อนที่ไปมาในหีบห่อ
11. เมื่อกำจัดดัดลบแบตเตอรี่ ให้ถอดดัดลบแบตเตอรี่ออกจากเครื่องมือและกำจัดในสถานที่ที่ปลอดภัย ปฏิบัติตามข้อบังคับในท้องถิ่นที่เกี่ยวข้องกับการกำจัดแบตเตอรี่
12. ใช้แบตเตอรี่กับผลิตภัณฑ์ที่ระบุโดย Makita เท่านั้น การติดตั้งแบตเตอรี่ในผลิตภัณฑ์ที่ไม่ใช่ตามที่ระบุอาจทำให้เกิดไฟไหม้ ความร้อนสูง ระเบิด หรืออิเล็กทรอนิกส์รั่วไหลได้
13. หากไม่ใช้เครื่องมือเป็นระยะเวลานาน จะต้องถอดแบตเตอรี่ออกจากเครื่องมือ
14. ในระหว่างและหลังการใช้งาน ดัดลบแบตเตอรี่อาจร้อนซึ่งอาจลวกผิวหรือทำให้ผิวไหม้ที่อุณหภูมิต่ำได้ โปรดระมัดระวังในการจัดการกับแบตเตอรี่ที่ร้อน
15. อย่าสัมผัสขั้วของเครื่องมือทันทีหลังจากการใช้งาน เนื่องจากอาจมีความร้อนพอที่จะทำให้ผิวไหม้ได้
16. อย่าปล่อยให้เศษวัสดุ ฝุ่นผง หรือดินเข้าไปติดอยู่ในขั้ว รู และร่องของดัดลบแบตเตอรี่ เนื่องจากอาจทำให้เครื่องมือหรือดัดลบแบตเตอรี่มีประสิทธิภาพลดลงหรือเสียหายได้
17. หากเครื่องมือไม่รองรับสายไฟแรงดันสูง อย่าใช้ดัดลบแบตเตอรี่ใกล้กับสายไฟแรงดันสูง เนื่องจากเครื่องมือหรือดัดลบแบตเตอรี่อาจทำงานผิดปกติหรือเสียหายได้
18. เก็บแบตเตอรี่ให้ห่างจากเด็ก

### ปฏิบัติตามคำแนะนำเหล่านี้

**⚠️ ข้อควรระวัง:** ใช้แบตเตอรี่ของแท้จาก Makita เท่านั้น การใส่แบตเตอรี่ Makita ที่ไม่แท้ หรือแบตเตอรี่ที่ถูกเปลี่ยน อาจทำให้แบตเตอรี่ระเบิด ก่อให้เกิดเพลิงลุกไหม้ การบาดเจ็บ และความเสียหายได้ และจะทำให้การรับประกันของ Makita สำหรับเครื่องมือและแทนชาร์จของ Makita เป็นโมฆะด้วย

## เคล็ดลับในการรักษาอายุการใช้งานของ

### แบตเตอรี่ให้ยาวนานที่สุด

1. ชาร์จดัดลบแบตเตอรี่ก่อนที่ไฟจะหมด หยุดการใช้งานแล้วชาร์จประจุไฟฟ้าใหม่ทุกครั้งเมื่อคุณรู้สึกว่าคุณปรารถนีกำลังลดลง
2. อย่าชาร์จดัดลบแบตเตอรี่ที่มีไฟเต็มแล้ว การชาร์จประจุไฟฟ้ามากเกินไปอาจจะทำให้อายุการใช้งานของดัดลบแบตเตอรี่สั้นลง
3. ชาร์จประจุไฟฟ้าดัดลบแบตเตอรี่ในห้องที่มีอุณหภูมิระหว่าง 10 °C - 40 °C ปล่อยให้ดัดลบแบตเตอรี่เย็นลงก่อนที่จะชาร์จไฟ
4. เมื่อไม่ใช้ดัดลบแบตเตอรี่ ให้ถอดออกจากเครื่องมือหรือเครื่องชาร์จ
5. ชาร์จไฟดัดลบแบตเตอรี่หากคุณไม่ต้องการใช้เป็นเวลานาน (เกินกว่าหกเดือน)

### คำแนะนำด้านความปลอดภัยที่สำคัญสำหรับอุปกรณ์รับส่งสัญญาณไร้สาย

1. อย่าถอดแยกชิ้นส่วนหรือปรับเปลี่ยนอุปกรณ์รับส่งสัญญาณไร้สาย
2. เก็บอุปกรณ์รับส่งสัญญาณไร้สายให้ห่างจากเด็กเล็ก หากเด็กกลืนอุปกรณ์เข้าไปโดยบังเอิญ โปรดพาไปพบแพทย์ทันที
3. ใช้อุปกรณ์รับส่งสัญญาณไร้สายกับเครื่องมือของ Makita เท่านั้น
4. อย่าให้อุปกรณ์รับส่งสัญญาณไร้สายถูกฝนหรืออยู่ในสภาพเปียกชื้น
5. อย่าให้อุปกรณ์รับส่งสัญญาณไร้สายในสถานที่ที่มีอุณหภูมิสูงกว่า 50°C
6. อย่าใช้งานอุปกรณ์รับส่งสัญญาณไร้สายในสถานที่ที่มีเครื่องมือทางการแพทย์อยู่ใกล้ๆ เช่น เครื่องกระตุ้นการเต้นของหัวใจ เป็นต้น
7. อย่าใช้งานอุปกรณ์รับส่งสัญญาณไร้สายในสถานที่ที่มีอุปกรณ์อัดในมิติอยู่ใกล้ๆ เนื่องจากอุปกรณ์อัดในมิติอาจทำงานผิดปกติหรือเกิดความผิดพลาดได้
8. อย่าให้อุปกรณ์ไร้สายในสถานที่ที่มีอุณหภูมิสูง หรือสถานที่ที่อาจเกิดไฟฟ้าสถิต หรือสัญญาณรบกวนทางไฟฟ้า
9. อุปกรณ์รับส่งสัญญาณไร้สายอาจสร้างสนามแม่เหล็ก (EMF) แต่ไม่เป็นอันตรายต่อผู้ใช้
10. อุปกรณ์รับส่งสัญญาณไร้สายเป็นเครื่องมือที่มีความแม่นยำ ระวังอย่าทำอุปกรณ์รับส่งสัญญาณไร้สายตกหล่นหรือกระทบกระแทก

11. หลีกเลี่ยงการสัมผัสตัวของอุปกรณ์รับส่งสัญญาณไร้สายด้วยมือเปล่าหรือวัสดุที่อาจก่อให้เกิด
12. นำแบตเตอรี่ออกจากผลิตภัณฑ์เสมอเมื่อติดตั้งอุปกรณ์รับส่งสัญญาณไร้สายบนผลิตภัณฑ์
13. เมื่อเปิดฝาปิดช่องเสียบ โปรดหลีกเลี่ยงสถานที่ที่ฝุ่นและน้ำอาจเข้าไปในช่องเสียบได้ รักษาช่องทางเข้าช่องเสียบให้สะอาดอยู่เสมอ
14. ใส่อุปกรณ์รับส่งสัญญาณไร้สายในทิศทางที่ถูกต้องเสมอ
15. อย่ากดปุ่มสั่งงานด้วยสัญญาณไร้สายบนอุปกรณ์รับส่งสัญญาณไร้สายแรงจนเกินไป และ/หรือ อย่ากดปุ่มด้วยวัตถุที่มีขอบคม
16. ปิดฝาปิดช่องเสียบขณะใช้งานเสมอ
17. อย่านำอุปกรณ์รับส่งสัญญาณไร้สายออกจากช่องเสียบในขณะที่เครื่องมือยังเชื่อมต่อกับไฟฟ้ายูนิคั้นนั้นอาจทำให้อุปกรณ์รับส่งสัญญาณไร้สายทำงานผิดปกติได้
18. อย่าแกะสติกเกอร์บนอุปกรณ์รับส่งสัญญาณไร้สายออก
19. อย่าแกะสติกเกอร์บนอุปกรณ์รับส่งสัญญาณไร้สาย
20. อย่าวางอุปกรณ์รับส่งสัญญาณไร้สายไว้ในสถานที่ที่อาจเกิดไฟฟ้าสถิตหรือสัญญาณรบกวนทางไฟฟ้า
21. อย่าวางอุปกรณ์รับส่งสัญญาณไร้สายไว้ในสถานที่ที่อาจเกิดความร้อนสูง เช่น รถยนต์ที่จอดไว้กลางแจ้ง
22. อย่าวางอุปกรณ์รับส่งสัญญาณไร้สายไว้ในสถานที่ที่เต็มไปด้วยฝุ่นหรือผง หรือในสถานที่ที่อาจเกิดก๊าซกัดกร่อน
23. การเปลี่ยนแปลงของอุณหภูมิอย่างกะทันหันอาจทำให้อุปกรณ์รับส่งสัญญาณไร้สายขึ้นด้วยหยดน้ำค้างได้ อย่าใช้อุปกรณ์รับส่งสัญญาณไร้สายจนกว่าน้ำค้างจะแห้งสนิท
24. เมื่อต้องการทำความสะอาดอุปกรณ์รับส่งสัญญาณไร้สาย ให้ใช้ผ้าแห้งที่อ่อนนุ่มค่อยๆ เช็ดอย่างเบามือ อย่าใช้เบนซิน ทินเนอร์ จาระบีที่นำกระแสไฟฟ้า หรือที่คล้ายกันนี้
25. เมื่อต้องการเก็บอุปกรณ์รับส่งสัญญาณไร้สาย ให้เก็บไว้ในกล่องที่ให้มาหรือในภาชนะที่ปลอดภัย
26. อย่าใส่อุปกรณ์อื่นนอกจากอุปกรณ์รับส่งสัญญาณไร้สายของ Makita เข้าไปในช่องเสียบบนเครื่องมือ
27. อย่าใช้เครื่องมือที่ฝาปิดของช่องเสียบชำรุด น้ำ ฝุ่น และสิ่งสกปรกที่เข้าไปในช่องเสียบอาจทำให้เกิดการทำงานผิดปกติได้
28. อย่าดึงและ/หรือบิดฝาปิดช่องเสียบมากเกินไปจนจำเป็น เก็บฝาปิดไว้หากฝาปิดหลุดออกจากเครื่องมือ

## 29. เปลี่ยนฝาปิดช่องเสียบใหม่หากสูญหายหรือชำรุด ปฏิบัติตามคำแนะนำเหล่านี้

### คำอธิบายการทำงาน

**⚠ ข้อควรระวัง:** ตรวจสอบให้แน่ใจว่าได้ปิดสวิตช์เครื่องมือและถอดตั้บแบตเตอรี่ออกก่อนปรับตั้งหรือตรวจสอบการทำงานของเครื่องมือ

### การใส่หรือการถอดตั้บแบตเตอรี่

**⚠ ข้อควรระวัง:** ปิดสวิตช์เครื่องมือก่อนทำการติดตั้งหรือการถอดตั้บแบตเตอรี่ทุกครั้ง

**⚠ ข้อควรระวัง:** ถือเครื่องมือและตั้บแบตเตอรี่ให้แน่นในระหว่างการติดตั้งหรือการถอดตั้บแบตเตอรี่ หากไม่ถือเครื่องมือและตั้บแบตเตอรี่ให้แน่น อาจทำให้ตั้บแบตเตอรี่และเครื่องมือลื่นหลุดมือ และทำให้เครื่องมือและตั้บแบตเตอรี่เสียหายหรือได้รับบาดเจ็บได้

▶ **หมายเลข 7:** 1. ชีลส์แดง 2. ปุ่ม 3. ตั้บแบตเตอรี่

เมื่อต้องการถอดตั้บแบตเตอรี่ ให้เลื่อนปุ่มที่ด้านหน้าของตั้บแล้วดึงออกจากเครื่องมือ

เมื่อต้องการติดตั้งตั้บแบตเตอรี่ ให้จัดแนวสันบนตั้บแบตเตอรี่ให้ตรงกับร่องบนตัวเครื่องมือ แล้วเลื่อนตั้บแบตเตอรี่เข้าที่ ติดตั้งตั้บแบตเตอรี่เข้าจนสุดจนกระทั่งล็อกเข้าที่และได้ยินเสียงคลิก หากยังเห็นชีลส์แดงที่ด้านบนของปุ่ม แสดงว่าตั้บแบตเตอรี่ยังไม่ล็อกเข้าที่

**⚠ ข้อควรระวัง:** ให้ดันตั้บแบตเตอรี่เข้าจนสุดจนไม่เห็นชีลส์แดงอีก ไม่เช่นนั้น ตั้บแบตเตอรี่อาจหลุดออกจากเครื่องมือทำให้คุณหรือคนรอบข้างได้รับบาดเจ็บ

**⚠ ข้อควรระวัง:** อย่าฝืนติดตั้งตั้บแบตเตอรี่โดยใช้แรงมากเกินไป หากตั้บแบตเตอรี่ไม่เลื่อนเข้าไปโดยง่าย แสดงว่าใส่ไม่ถูกต้อง

### ระบบป้องกันเครื่องมือ/แบตเตอรี่

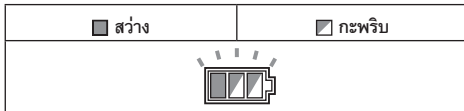
เครื่องมือมีระบบป้องกันเครื่องมือ/แบตเตอรี่ ระบบนี้จะตัดไฟที่ส่งไปยังมอเตอร์โดยอัตโนมัติเพื่อยืดอายุการใช้งานเครื่องมือและแบตเตอรี่ เครื่องมือจะหยุดทำงานระหว่างการใช้งานโดยอัตโนมัติ หากเครื่องมือหรือแบตเตอรี่อยู่ภายใต้สถานการณ์ต่อไปนี้ ในบางกรณี ไฟแสดงสถานะจะติดขึ้น

## การป้องกันโอเวอร์โหลด

เมื่อเครื่องมือ/แบตเตอรี่ทำงานในลักษณะที่ทำให้ต้องใช้กระแสไฟฟ้าสูงเกินไป เครื่องมือจะหยุดโดยอัตโนมัติ ในกรณีนี้ ให้ปิดเครื่องมือและหยุดการใช้งานที่อาจทำให้เครื่องมือทำงานหนักเกินไป แล้วเปิดเครื่องมือเพื่อเริ่มการทำงานอีกครั้ง

## การป้องกันความร้อนสูงเกินไป

เมื่อเครื่องมือ/แบตเตอรี่มีความร้อนสูงเกินไป เครื่องมือจะหยุดทำงานโดยอัตโนมัติและไฟแสดงสถานะแบตเตอรี่จะกะพริบประมาณ 60 วินาที ในกรณีนี้ ปล่อยให้เครื่องมือเย็นลงก่อนจะเปิดเครื่องมืออีกครั้ง

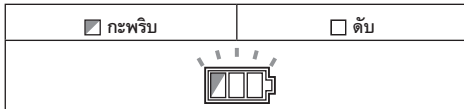


## การป้องกันไฟหมด

เมื่อแบตเตอรี่มีระดับพลังงานต่ำ เครื่องมือจะหยุดโดยอัตโนมัติ หากผลิตภัณฑ์ไม่ทำงานแม้ว่าจะเปิดสวิตช์แล้ว ให้ถอดแบตเตอรี่ออกจากเครื่องมือและชาร์จแบตเตอรี่

## การปล่อยตัวล๊อคป้องกัน

เมื่อระบบป้องกันทำงานซ้ำ เครื่องมือจะถูกล๊อคและไฟแสดงสถานะแบตเตอรี่จะแสดงสถานะต่อไปนี้



ในกรณีนี้ เครื่องมือจะไม่เริ่มทำงานแม้ว่าจะเปิดและปิดเครื่องมือแล้ว การปล่อยตัวล๊อคป้องกัน ให้ถอดแบตเตอรี่ออก ใส่ไว้ในเครื่องชาร์จแบตเตอรี่และรอนจนกว่าจะชาร์จเสร็จ

## การระบุระดับพลังงานแบตเตอรี่ที่เหลืออยู่

เมื่อกดสวิตช์สั่งงาน ไฟแสดงสถานะแบตเตอรี่จะแสดงความจุแบตเตอรี่ที่เหลืออยู่

► **หมายเลข 8:** 1. ไฟแสดงสถานะแบตเตอรี่

ความจุแบตเตอรี่ที่เหลืออยู่จะแสดงตามตารางต่อไปนี้

สถานะของไฟแสดงสถานะแบตเตอรี่			ความจุแบตเตอรี่ที่เหลืออยู่
สว่าง	ดับ	กะพริบ	
			50% ถึง 100%
			20% ถึง 50%
			0% ถึง 20%
			ชาร์จแบตเตอรี่

## การระบุระดับพลังงานแบตเตอรี่ที่เหลืออยู่

สำหรับตลับแบตเตอรี่ที่มีตัวแสดงสถานะเท่านั้น

► **หมายเลข 9:** 1. ไฟแสดงสถานะ 2. ปุ่มตรวจสอบ

กดปุ่ม ตรวจสอบ บนตลับแบตเตอรี่เพื่อดูปริมาณแบตเตอรี่ที่เหลือ ไฟแสดงสถานะจะสว่างขึ้นเป็นเวลาสามวินาที

ไฟแสดงสถานะ			แบตเตอรี่ที่เหลือ
ไฟสว่าง	ดับ	กะพริบ	
			75% ถึง 100%
			50% ถึง 75%
			25% ถึง 50%
			0% ถึง 25%
			ชาร์จไฟแบตเตอรี่
			แบตเตอรี่อาจจะเสีย

**หมายเหตุ:** ขึ้นอยู่กับสภาพการใช้งานและอุณหภูมิ โดยรอบ การแสดงสถานะอาจแตกต่างจากปริมาณแบตเตอรี่จริงเล็กน้อย

**หมายเหตุ:** ไฟแสดงสถานะดวงแรก (ซ้ายสุด) จะกะพริบเมื่อระบบป้องกันแบตเตอรี่ทำงาน

## การทำงานของสวิตช์

**คำเตือน:** ก่อนใส่สลับแบตเตอรี่ลงในเครื่องมือ ให้ตรวจสอบว่าสวิตช์สั่งงานสามารถทำงานได้อย่างถูกต้อง และกลับไปยังตำแหน่ง “ปิด” เมื่อปล่อย

**คำเตือน:** ห้ามทำลายปุ่มปลดล็อคโดยใช้เทปพันหรือวิธีอื่น สวิตช์ที่ปุ่มปลดล็อคใช้ไม่ได้ อาจทำให้เกิดการใช้งานโดยไม่ตั้งใจและทำให้เกิดการบาดเจ็บร้ายแรงได้

**คำเตือน:** ห้ามใช้เครื่องมือหากเครื่องมือสามารถทำงานได้เมื่อคุณดึงสวิตช์สั่งงานโดยไม่ได้กดปุ่มปลดล็อค สวิตช์ที่ต้องทำการซ่อมแซมอาจทำให้เกิดการใช้งานโดยไม่ตั้งใจและทำให้เกิดการบาดเจ็บร้ายแรงได้ นำเครื่องมือส่งศูนย์บริการ Makita เพื่อการซ่อมแซมก่อนการใช้งาน

เพื่อป้องกันไม่ให้อุปกรณ์สั่งงานถูกดึงโดยไม่ตั้งใจจึงมีปุ่มปลดล็อคติดตั้งไว้ เพื่อเริ่มใช้งานเครื่องมือ กดปุ่มปลดล็อคแล้วดึงสวิตช์สั่งงาน ปล่อยสวิตช์สั่งงานเพื่อหยุดทำงาน

▶ **หมายเลข 10:** 1. สวิตช์สั่งงาน 2. ปุ่มปลด

**ข้อสังเกต:** อย่าดึงสวิตช์สั่งงานแรงๆ โดยไม่ได้กดปุ่มปลดล็อค การทำเช่นนี้อาจทำให้สวิตช์เสียหายได้

**ข้อควรระวัง:** เครื่องมือจะเริ่มหยุดการหมุนของใบเลื่อยวงกลมทันทีหลังจากคุณปล่อยสวิตช์สั่งงาน จับเครื่องมือให้แน่นเพื่อรับมือกับปฏิกิริยาการหยุดทำงานเมื่อปล่อยสวิตช์สั่งงาน ปฏิกิริยาฉบับหลังอาจทำให้เครื่องมือหลุดออกจากมือของคุณ และทำให้ได้รับบาดเจ็บได้




## การเปลี่ยนความเร็วอัตโนมัติ

เครื่องมือนี้มี “โหมดความเร็วสูง” และ “โหมดแรงบิดสูง” เครื่องมือจะเปลี่ยนโหมดการทำงานอัตโนมัติขึ้นอยู่กับปริมาณงาน เมื่อปริมาณงานน้อย เครื่องมือจะทำงานใน “โหมดความเร็วสูง” เพื่อดำเนินการตัดที่เร็วขึ้น เมื่อปริมาณงานมาก เครื่องมือจะทำงานใน “โหมดแรงบิดสูง” เพื่อดำเนินการตัดที่มีกำลังสูง

▶ **หมายเลข 11:** 1. ไฟแสดงสถานะโหมด

ไฟแสดงสถานะโหมดจะสว่างเป็นสีเขียวเมื่อเครื่องมือกำลังทำงานใน “โหมดแรงบิดสูง”

หากเครื่องมือทำงานหนักเกินไป ไฟแสดงสถานะโหมดจะกะพริบเป็นสีเขียว ไฟแสดงสถานะโหมดจะหยุดกะพริบและจากนั้นไฟจะสว่างขึ้นปกติหรือดับลงหากคุณลดการใช้งานของเครื่องมือลง

สถานะของไฟแสดงสถานะโหมด			โหมดการทำงาน
● สว่าง	○ ดับ	● กะพริบ	
			โหมดความเร็วสูง
			โหมดแรงบิดสูง
			การแจ้งเตือนเครื่องทำงานหนักเกินไป

## การปรับความลึกในการตัด

**ข้อควรระวัง:** หลังปรับความลึกในการตัดแล้ว ให้ขันก้านให้แน่นเสมอ

คลายก้านและเลื่อนฐานขึ้นหรือลงเพื่อจัดตำแหน่งของตัวชี้ให้ตรงกับความลึกที่ต้องการตามคำแนะนำเกี่ยวกับความลึก เมื่อถึงความลึกในการตัดที่ต้องการแล้ว ให้ยึดฐานไว้โดยขันก้าน

หากต้องการให้ตัดได้สะอาดและปลอดภัยยิ่งขึ้น ให้ตั้งค่าความลึกในการตัดโดยไม่ให้พื้นเลื่อยยื่นออกมาได้ซึ่งงานเกินหนึ่งซี่ การใช้ความลึกในการตัดที่เหมาะสมจะช่วยลดโอกาสในการติดกลับที่อันตรายซึ่งอาจทำให้เกิดการบาดเจ็บ

▶ **หมายเลข 12:** 1. ตัวชี้ 2. ก้าน

คุณสามารถอ่านความลึกในการตัดได้ด้วยหมายเลขระดับบนที่ป้องกันด้านล่าง

▶ **หมายเลข 13:** 1. ที่ป้องกันด้านล่าง 2. ด้านล่างของฐานเครื่องมือ 3. หมายเลขระดับ

## การตัดมุมเอียง

**ข้อควรระวัง:** หลังปรับมุมเอียงแล้ว ให้ขันก้านและสกรูกันคลายให้แน่นเสมอ

คลายก้านและสกรูกันคลาย กำหนดมุมที่ต้องการโดยเอียงไปทางมุมนั้น จากนั้นขันก้านและสกรูกันคลายให้แน่น

▶ **หมายเลข 14:** 1. ก้าน 2. สกรูกันคลาย

ใช้สตีปเปอร์เมื่อคุณทำการตัดที่มุม 45° พอดี หมุนสตีปเปอร์ให้สุดตามภาพตามการตัดมุมเอียง 0° - 45° หรือการตัดมุมเอียง 0° - 50°

▶ **หมายเลข 15:** 1. สตีปเปอร์

## การเล็ง

หากต้องการตัดตรง ให้จัดตำแหน่ง 0° ที่อยู่ด้านหน้าของฐานให้ตรงกับเส้นที่จะตัด หากต้องการตัดมุมเฉียง 45° ให้จัดตำแหน่ง 45° ให้ตรง

- ▶ **หมายเลข 16:** 1. เส้นที่จะตัด (ตำแหน่ง 0°) 2. เส้นที่จะตัด (ตำแหน่ง 45°)

## การเปิดไฟ

**⚠ ข้อควรระวัง:** อย่ามองเข้าไปในดวงไฟหรือจ้องดูแหล่งกำเนิดแสงโดยตรง

การเปิดไฟโดยไม่เปิดใช้เครื่องมือ ให้กดสวิตช์สั่งงานโดยไม่กดปุ่มปลดล็อค

การเปิดไฟโดยเปิดใช้เครื่องมือด้วย ให้กดปุ่มปลดล็อคค้างไว้ แล้วกดสวิตช์สั่งงาน

ดวงไฟจะดับลงภายในเวลา 10 วินาทีหลังจากปล่อยสวิตช์สั่งงาน

- ▶ **หมายเลข 17:** 1. ดวงไฟ

**หมายเหตุ:** ใช้ผ้าแห้งเพื่อเช็ดสิ่งสกปรกออกจากเลนส์ของดวงไฟ ระวังอย่าขีดข่วนเลนส์ของดวงไฟ ไม่งั้นนั้น อาจทำให้ส่องสว่างได้น้อยลง

## ขอเกี่ยว

### อุปกรณ์เสริม

**⚠ ข้อควรระวัง:** ถอดแบตเตอรี่ออกเมื่อแวนเครื่องมือกับขอเกี่ยวเสมอ

**⚠ ข้อควรระวัง:** ห้ามแวนเครื่องมือในที่สูง หรือบนพื้นผิวที่เครื่องมืออาจจะเสียดสีและร่วงหล่นลงมาได้ ไม่งั้นนั้นอาจเกิดอุบัติเหตุจากการร่วงหล่นและเกิดการบาดเจ็บสาหัสได้

**⚠ ข้อควรระวัง:** อย่าดึงเครื่องมือลงด้านล่างในขณะที่เครื่องมือถูกแวนอยู่

ขอเกี่ยวจะทำให้สะดวกสำหรับการแวนเครื่องมือไว้ชั่วคราว

- ▶ **หมายเลข 18**

ยึดขอเกี่ยวด้วยสกรูตามภาพ

- ▶ **หมายเลข 19:** 1. ขอเกี่ยว 2. สกรู

เมื่อต้องการใช้ขอเกี่ยว ให้หมุนขอเกี่ยวจนกระทั่งเข้าไปในตำแหน่งเปิด

เมื่อไม่ใช้งาน ให้หมุนขอเกี่ยวจนกระทั่งเข้าไปในตำแหน่งปิดเสมอ

- ▶ **หมายเลข 20:** 1. ตำแหน่งเปิด 2. ตำแหน่งปิด

## ฟังก์ชันอิเล็กทรอนิกส์

เครื่องมือนี้มีฟังก์ชันระบบไฟฟ้าซึ่งทำให้ใช้งานได้ง่ายด้วยคุณสมบัติดังต่อไปนี้

### คุณสมบัติของฟลัสตาร์ท

ซอฟต์แวร์ฟลัสตาร์ทมีไว้สำหรับป้องกันการสะท้อนในการสตาร์ท

## การประกอบ

**⚠ ข้อควรระวัง:** ตรวจสอบให้แน่ใจว่าได้ปิดสวิตช์เครื่องมือและถอดปลั๊กแบตเตอรี่ออกก่อนดำเนินการใดๆ กับเครื่องมือ

## การเก็บประแจหกเหลี่ยม

เมื่อไม่ใช้งาน ให้เก็บประแจหกเหลี่ยมตามที่แสดงในภาพเพื่อไม่ให้สูญหาย

- ▶ **หมายเลข 21:** 1. ประแจหกเหลี่ยม

## การถอดหรือการติดตั้งใบเลื่อยวงกลม

**⚠ ข้อควรระวัง:** โปรดตรวจสอบให้แน่ใจว่าได้ติดตั้งใบเลื่อยวงกลมให้พ้นซี่ฟันเมื่อมองจากด้านหน้าของเครื่องมือ

**⚠ ข้อควรระวัง:** ใช้เฉพาะประแจของ Makita ที่มีมาให้เพื่อถอดหรือใส่ใบเลื่อยวงกลม

เมื่อต้องการถอดใบเลื่อยวงกลม ให้กดลิคก้านจนสุดเพื่อให้ใบเลื่อยวงกลมไม่สามารถหมุนได้ แล้วใช้ประแจหกเหลี่ยมคลายสลักเกลียวหกเหลี่ยม จากนั้นนำสลักเกลียวหกเหลี่ยม แกนตัวนอก ใบเลื่อยวงกลม และแวน (เฉพาะประเทศ) ออก

- ▶ **หมายเลข 22:** 1. ลิคก้าน 2. ประแจหกเหลี่ยม 3. คลาย 4. ชันแน่น

สำหรับเครื่องมือที่ไม่มีแวน

- ▶ **หมายเลข 23:** 1. สลักเกลียวหกเหลี่ยม 2. แกนตัวนอก 3. ใบเลื่อยวงกลม 4. แกนตัวใน

สำหรับเครื่องมือที่มีแวน

- ▶ **หมายเลข 24:** 1. สลักเกลียวหกเหลี่ยม 2. แกนตัวนอก 3. ใบเลื่อยวงกลม 4. แวน 5. แกนตัวใน

เมื่อต้องการติดตั้งใบเลื่อยวงกลม ให้ปฏิบัติย้อนขั้นตอนการถอด

## สำหรับเครื่องมือที่มีแกนตัวในเหมาะสำหรับใบเลื่อยที่มีเส้นผ่านศูนย์กลางรูขนาดอื่นนอกเหนือจาก 15.88 mm

แกนตัวในมีเส้นผ่านศูนย์กลางส่วนที่ยื่นออกมาในด้านหนึ่ง และมีเส้นผ่านศูนย์กลางส่วนที่ยื่นออกมาที่แตกต่างในอีกด้านหนึ่ง เลือกด้านที่ถูกต้องโดยให้ส่วนที่ยื่นออกมาติดเข้ากับรูใบเลื่อยได้พอดี ติดตั้งแกนตัวในลงบนเพลาดัดตั้งเพื่อให้ด้านของส่วนที่ยื่นออกมาของแกนตัวในหันหน้าออกและวางใบเลื่อยและแกนตัวนอกลงไป

- **หมายเลข 25:** 1. เพลาดัดตั้ง 2. แกนตัวใน 3. ใบเลื่อยวงกลม 4. แกนตัวนอก 5. สลักเกลียวหกเหลี่ยม

**คำเตือน:** ตรวจสอบให้แน่ใจว่าได้ขันสลักเกลียวหกเหลี่ยมตามเข็มนาฬิกาให้แน่น และระวังอย่าฝืนขันสลักเกลียว การที่มีมือของคุณลื่นหลุดออกจากประแจหกเหลี่ยมอาจทำให้เกิดการบาดเจ็บได้

**คำเตือน:** ตรวจสอบให้แน่ใจว่าส่วนที่ยื่นออกมา “a” บนแกนตัวในที่อยู่ทางด้านนอกติดเข้าไปในรูใบเลื่อย “a” ได้พอดี การติดตั้งใบมีดผิดด้านอาจทำให้เกิดการสั่นสะเทือนที่เป็นอันตรายได้

## สำหรับเครื่องมือที่มีแกนตัวในเหมาะสำหรับใบเลื่อยที่มีเส้นผ่านศูนย์กลางรูขนาด 15.88 mm (เฉพาะบางประเทศ)

ติดตั้งแกนตัวในกับด้านที่รับเข้าไปซึ่งหันหน้าออกด้านนอกบนเพลาดัดตั้ง แล้ววางใบเลื่อย (โดยที่ติดตั้งแหวนไว้หากจำเป็น) แกนตัวนอก และสลักเกลียวหกเหลี่ยม

สำหรับเครื่องมือที่ไม่มีแหวน

- **หมายเลข 26:** 1. เพลาดัดตั้ง 2. แกนตัวใน 3. ใบเลื่อยวงกลม 4. แกนตัวนอก 5. สลักเกลียวหกเหลี่ยม

สำหรับเครื่องมือที่มีแหวน

- **หมายเลข 27:** 1. เพลาดัดตั้ง 2. แกนตัวใน 3. ใบเลื่อยวงกลม 4. แกนตัวนอก 5. สลักเกลียวหกเหลี่ยม 6. แหวน

**คำเตือน:** ตรวจสอบให้แน่ใจว่าได้ขันสลักเกลียวหกเหลี่ยมตามเข็มนาฬิกาให้แน่น และระวังอย่าฝืนขันสลักเกลียว การที่มีมือของคุณลื่นหลุดออกจากประแจหกเหลี่ยมอาจทำให้เกิดการบาดเจ็บได้

**คำเตือน:** ถ้าจำเป็นต้องติดตั้งแหวนลงบนแกนหมุน ตรวจสอบให้แน่ใจว่าแหวนที่ถูกต้องสำหรับรูเพลามัดของใบเลื่อยซึ่งคุณตั้งใจจะใช้นั้นได้ติดตั้งระหว่างแกนตัวในและแกนตัวนอกแล้ว การใช้แหวนรูเพลามัดที่ไม่ถูกต้องอาจทำให้เกิดการติดตั้งใบเลื่อยที่ไม่ถูกต้อง ทำให้เกิดการเคลื่อนไหวของใบเลื่อยและการสั่นสะเทือนอย่างรุนแรง ทำให้อาจสูญเสียการควบคุมระหว่างการทำงานและเกิดการบาดเจ็บร้ายแรง

## ที่ป้องกันใบเลื่อย

เมื่อทำการเปลี่ยนใบเลื่อยวงกลม ให้ทำความสะอาดฝุ่นเลื่อยที่สะสมอยู่บนที่ป้องกันด้านล่างและด้านบนตามที่ระบุไว้ในใบบการบำรุงรักษา แม้ว่าเราจะทำเช่นนี้แล้ว แต่คุณก็ยังจำเป็นต้องตรวจสอบการทำงานของป้องกันด้านล่างก่อนการใช้งานแต่ละครั้ง

## การต่อเครื่องดูดฝุ่น

เมื่อคุณต้องการที่จะทำงานตัดไม้ที่สะอาดเรียบร้อย ให้ต่อเครื่องดูดฝุ่น Makita เข้ากับเครื่องมือของคุณ ต่อท่อของเครื่องดูดฝุ่นเข้ากับท่อระบายฝุ่นตามที่แสดงในภาพ

- **หมายเลข 28:** 1. ท่อดูดฝุ่น 2. สกรู

- **หมายเลข 29:** 1. สาย 2. ที่ดูดฝุ่น

## การใช้งาน

**ข้อควรระวัง:** สวมหน้ากากกันฝุ่นเมื่อดำเนินการตัด

**ข้อควรระวัง:** ตรวจสอบให้แน่ใจว่าขยับเครื่องมือไปข้างหน้าเป็นเส้นตรงอย่างเบา การฝืนหรือการบิดเครื่องมือจะทำให้มอเตอร์ร้อนเกินไปและเกิดการติดกลับที่อันตราย ซึ่งอาจทำให้เกิดการบาดเจ็บร้ายแรง

**หมายเหตุ:** เมื่อลับแบตเตอรี่มีอุณหภูมิต่ำ เครื่องมืออาจไม่ทำงานอย่างเต็มความสามารถ ในตอนนี้ ให้ใช้เครื่องมือทำการตัดเบา สักพักหนึ่งจนกว่าอุณหภูมิจะอุ่นขึ้นเท่ากับอุณหภูมิห้อง เป็นต้น จากนั้นเครื่องมือจะสามารถทำงานอย่างเต็มความสามารถ

- **หมายเลข 30**

จับเครื่องมือให้แน่น เครื่องมือที่มีทั้งด้ามจับด้านหน้าและมือจับด้านหลัง ใช้ด้ามจับทั้งสองอันเพื่อให้จับเครื่องมือได้ดีที่สุด ถ้าคุณจับเลื่อยไว้ทั้งสองมือ มือของคุณจะไม่ถูกใบเลื่อยวงกลมบาด ตั้งฐานเครื่องมือบนชิ้นงานที่จะตัดโดยไม่ให้ใบเลื่อยวงกลมสัมผัสชิ้นงาน จากนั้นเปิดสวิตช์เครื่องมือและรอจนกระทั่งใบเลื่อยวงกลมทำงานด้วยความเร็วเต็มที่ แล้วเลื่อนเครื่องมือไปด้านหน้าบนผิวหน้าชิ้นงาน ให้เครื่องมือในระดับเดิมและเคลื่อนที่ไปอย่างช้าๆ จนกว่าการเลื่อยจะเสร็จสิ้น

เมื่อต้องการตัดให้เรียบ ให้รักษาเส้นที่จะเลื่อยให้ตรงและรักษาความเร็วในการเดินหน้าให้สม่ำเสมอ หากการตัดไม่ตรงตามเส้นตัดที่คุณต้องการ อย่าพยายามหมุนหรือผิวนเครื่องมือให้กลับเข้าสู่เส้นตัด เนื่องจากใบเลื่อยวงกลมอาจติดขัดและทำให้เกิดการติดกลับที่อันตรายและเกิดการบาดเจ็บร้ายแรง ปลดสวิตช์ รอให้ใบเลื่อยวงกลมหยุดและถอนเครื่องมือออก จัดตำแหน่งเครื่องมือบนเส้นตัดเส้นใหม่และเริ่มตัดอีกครั้ง พยายามหลีกเลี่ยงการวางตำแหน่งที่จะทำให้ผู้ใช้งานถูกเศษไม้และฝุ่นไม้ที่ติดออกมาจากเลื่อย ใช้อุปกรณ์ป้องกันดวงตาเพื่อช่วยหลีกเลี่ยงการบาดเจ็บ

## ฉากตัด (ตัวนำ)

### อุปกรณ์เสริม

- หมายเลข 31: 1. ฉากตัด (ตัวนำ) 2. สกรูกันคลาย

ฉากตัดแบบมือจับทำให้คุณสามารถทำการตัดตรงด้วยความแม่นยำเป็นพิเศษ เพียงเลื่อนฉากตัดขึ้นไปทางด้านข้างของชิ้นงานและยึดไว้ให้อยู่กับที่ด้วยสกรูที่ด้านหน้าของฐาน และยังทำให้สามารถตัดซ้ำด้วยความลึกที่เท่ากันได้อีกด้วย

## การเชื่อมต่อสายคล้อง (สายยึด)

▲ คำเตือนด้านความปลอดภัยสำหรับการใช้ขั้นที่สูงโดยเฉพาะ

อ่านคำเตือนด้านความปลอดภัยและคำแนะนำทั้งหมด หากไม่ปฏิบัติตามคำเตือนและคำแนะนำเหล่านี้อาจทำให้ได้รับบาดเจ็บสาหัสได้

1. ยึดเครื่องมือไว้เสมอเมื่อทำงานบน "ที่สูง" ความยาวสายคล้องสูงสุดคือ 2 m (6.5 ft)  
ความสูงสูงสุดในการร่ว่งหล่นที่ยอมรับได้สำหรับสายคล้อง (สายยึด) จะต้องไม่เกิน 2 m (6.5 ft)
2. ใช้เฉพาะสายคล้องที่เหมาะสมสำหรับประเภทของเครื่องมือและที่กำหนดมาสำหรับน้ำหนักอย่างน้อย 4.0 kg (8.8 lbs)
3. อย่ายึดสายคล้องเครื่องมือเข้ากับส่วนใดๆ ของร่างกายคุณหรือชิ้นส่วนเคลื่อนที่ได้ ยึดสายคล้องเครื่องมือเข้ากับโครงสร้างที่แข็งแรงซึ่งสามารถทนต่อแรงจากเครื่องมือหล่นได้

4. ตรวจสอบให้แน่ใจว่าสายคล้องเครื่องมือถูกยึดอย่างถูกต้องที่ส่วนปลายแต่ละด้านก่อนการใช้
5. ตรวจสอบความเสียหายและการทำงานที่เหมาะสมของเครื่องมือและสายคล้องก่อนการใช้งานแต่ละครั้ง (รวมถึงห้าและรอยยับ) อย่าใช้เครื่องมือและสายคล้องหากมีความเสียหายหรือทำงานไม่ถูกต้อง
6. อย่าพันสายคล้องรอบๆ หรืออย่าให้สายคล้องสัมผัสกับขอบที่คมหรือขรุขระ
7. ยึดปลายด้านหนึ่งของสายคล้องด้านนอกของพื้นที่ทำงานเพื่อให้เครื่องมือที่ร่วงลงมาถูกยึดอย่างแน่นหนา
8. ติดสายคล้องโดยให้เครื่องมือเคลื่อนออกจากตัวผู้ใช้ งานหากเครื่องมือร่วงหล่น เครื่องมือที่ร่วงหล่นจะแกว่งอยู่บนสายคล้อง ซึ่งอาจทำให้ได้รับบาดเจ็บและสูญเสียการทรงตัวได้
9. อย่าใช้สายคล้องใกล้กับชิ้นส่วนที่กำลังเคลื่อนที่หรือเครื่องจักรที่กำลังทำงานอยู่ ไม่เช่นนั้น อาจส่งผลให้เกิดการกระแทกหรืออันตรายจากการเข้าไปติด
10. อย่าถือเครื่องมือโดยใช้อุปกรณ์ต่อพ่วงหรือสายคล้อง
11. ขนย้ายเครื่องมือด้วยมือของคุณในขณะที่คุณทรงตัวได้อย่างเหมาะสมเท่านั้น
12. อย่าติดสายคล้องเข้ากับเครื่องมือในลักษณะที่จะทำให้สวิตช์หรือปุ่มปลดล็อคทำงานได้ไม่ถูกต้อง
13. ระวังอย่าให้สายคล้องพันกัน
14. รักษาระยะของสายคล้องให้ห่างจากพื้นที่การตัดของเครื่องมือ
15. ใช้คารามิเนอร์แบบกลไกล็อคหลายชั้นและมีปากเป็นสกรู อย่าใช้คารามิเนอร์แบบสปริงคลิปซึ่งมีกลไกล็อคชั้นเดียว
16. ในกรณีที่เครื่องมือหล่น จะต้องติดยาวและงัดการใช้ และควรนำไปเข้ารับการตรวจสอบโดยโรงงานของ Makita หรือศูนย์บริการที่ได้รับการรับรอง

- หมายเลข 32: 1. รูสำหรับสายคล้อง (สายยึด)

# ฟังก์ชันสั่งงานด้วยสัญญาณไร้สาย

สำหรับ DHS661 เท่านั้น

## คุณสามารถทำอะไรกับฟังก์ชันสั่งงานด้วยสัญญาณไร้สายนี้ได้บ้าง

ฟังก์ชันสั่งงานด้วยสัญญาณไร้สายจะทำให้คุณสามารถใช้ งานได้อย่างสะดวกสบายและสะอาดเรียบร้อย เมื่อเชื่อมต่อกับที่ดูดฝุ่นที่รองรับเข้ากับเครื่องมือ คุณจะสามารถทำให้ที่ดูดฝุ่นทำงานได้อย่างอัตโนมัติตามการควบคุมด้วยสวิตช์ของเครื่องมือ

### ▶ หมายเลข 33

การใช้ฟังก์ชันสั่งงานด้วยสัญญาณไร้สาย ให้เตรียมอุปกรณ์ดังต่อไปนี้:

- อุปกรณ์รับส่งสัญญาณไร้สาย (อุปกรณ์เสริม)
- ที่ดูดฝุ่นที่รองรับฟังก์ชันสั่งงานด้วยสัญญาณไร้สาย

ต่อไปนี้เป็นคำอธิบายการตั้งค่าฟังก์ชันสั่งงานด้วยสัญญาณไร้สายแบบย่อ ดูการดำเนินการอย่างละเอียดได้ในแต่ละส่วน

1. การติดตั้งอุปกรณ์รับส่งสัญญาณไร้สาย
2. การบันทึกเครื่องมือสำหรับที่ดูดฝุ่น
3. การเริ่มฟังก์ชันสั่งงานด้วยสัญญาณไร้สาย

## การติดตั้งอุปกรณ์รับส่งสัญญาณไร้สาย

### อุปกรณ์เสริม

**⚠ ข้อควรระวัง:** วางเครื่องมือบนพื้นผิวที่ราบเรียบและมั่นคงขณะทำการติดตั้งอุปกรณ์รับส่งสัญญาณไร้สาย

**ข้อสังเกต:** ทำความสะอาดฝุ่นและสิ่งสกปรกที่ติดอยู่บนเครื่องมือก่อนติดตั้งอุปกรณ์รับส่งสัญญาณไร้สาย ฝุ่นและสิ่งสกปรกอาจทำให้เครื่องมือทำงานผิดปกติ หากเข้าไปในช่องเสียบของอุปกรณ์รับส่งสัญญาณไร้สาย

**ข้อสังเกต:** เพื่อป้องกันการทำงานผิดปกติที่เกิดจากไฟฟ้าสถิต ให้สัมผัสกับวัสดุที่ปล่อยไฟฟ้าสถิต เช่น ส่วนที่เป็นโลหะของเครื่องมือก่อนหยิบอุปกรณ์รับส่งสัญญาณไร้สาย

**ข้อสังเกต:** เมื่อทำการติดตั้งอุปกรณ์รับส่งสัญญาณไร้สาย ตรวจสอบให้แน่ใจว่าอุปกรณ์รับส่งสัญญาณไร้สายถูกใส่เข้าไปในทิศทางที่ถูกต้องและปิดฝาปิดสนิทแล้ว

1. เปิดฝาปิดบนเครื่องมือดังที่แสดงในภาพ

### ▶ หมายเลข 34: 1. ฝาปิด

2. ใส่อุปกรณ์รับส่งสัญญาณไร้สายเข้าไปในช่องเสียบจากนั้นปิดฝาปิด

เมื่อใส่อุปกรณ์รับส่งสัญญาณไร้สายแล้ว ให้จัดตำแหน่งให้ส่วนที่ยื่นออกมาตรงกับส่วนที่ถอยเข้าไปบนช่องเสียบ

- ▶ หมายเลข 35: 1. อุปกรณ์รับส่งสัญญาณไร้สาย  
2. ส่วนที่ยื่นออกมา 3. ฝาปิด 4. ส่วนที่ถอยเข้าไป

เมื่อต้องการถอดอุปกรณ์รับส่งสัญญาณไร้สายออก ให้เปิดฝาปิดออกข้างๆ ขอเกี่ยวกับด้านหลังของฝาปิดจะยกอุปกรณ์รับส่งสัญญาณไร้สายในขณะที่คุณดึงฝาปิดขึ้น

- ▶ หมายเลข 36: 1. อุปกรณ์รับส่งสัญญาณไร้สาย 2. ขอเกี่ยว 3. ฝาปิด

หลังจากถอดอุปกรณ์รับส่งสัญญาณไร้สายออกแล้ว ให้เก็บไว้ในกล่องที่ให้มาหรือในภาชนะที่ปลอดภัยไฟฟ้าสถิต

**ข้อสังเกต:** ใช้ขอเกี่ยวที่ด้านหลังของฝาปิดเมื่อต้องการถอดอุปกรณ์รับส่งสัญญาณไร้สายเสมอ หากขอเกี่ยวไม่เกี่ยวกับอุปกรณ์รับส่งสัญญาณไร้สาย ให้ปิดฝาปิดให้สนิทแล้วเปิดอีกครั้งข้างๆ

## การบันทึกเครื่องมือสำหรับที่ดูดฝุ่น

**หมายเหตุ:** ที่ดูดฝุ่นของ Makita ที่รองรับฟังก์ชันสั่งงานด้วยสัญญาณไร้สายจำเป็นต้องมีการบันทึกเครื่องมือ

**หมายเหตุ:** ติดตั้งอุปกรณ์รับส่งสัญญาณไร้สายเข้ากับเครื่องมือให้เรียบร้อยก่อนเริ่มบันทึกเครื่องมือ

**หมายเหตุ:** ระหว่างการบันทึกเครื่องมือ อย่าดึงสวิตช์สั่งงานหรือเปิดสวิตช์ไฟบนที่ดูดฝุ่น

**หมายเหตุ:** โปรดดูคู่มือการใช้งานที่ดูดฝุ่นร่วมด้วย

หากคุณต้องการสั่งงานที่ดูดฝุ่นตามการควบคุมด้วยสวิตช์ของเครื่องมือ ให้บันทึกเครื่องมือให้เสร็จสิ้นก่อน

1. ติดตั้งแบตเตอรี่เข้ากับที่ดูดฝุ่นและเครื่องมือ
2. ตั้งสวิตช์เตรียมพร้อมบนที่ดูดฝุ่นเป็น "AUTO"

### ▶ หมายเลข 37: 1. สวิตช์เตรียมพร้อม

3. กดปุ่มสั่งงานด้วยสัญญาณไร้สายบนที่ดูดฝุ่นค้างไว้ประมาณ 3 วินาที จนกระทั่งดวงไฟแสดงการสั่งงานด้วยสัญญาณไร้สายจะพริบเป็นสีเขียว จากนั้นกดปุ่มสั่งงานด้วยสัญญาณไร้สายบนเครื่องมือในลักษณะเดียวกัน

- ▶ หมายเลข 38: 1. ปุ่มสั่งงานด้วยสัญญาณไร้สาย  
2. ดวงไฟแสดงการสั่งงานด้วยสัญญาณไร้สาย



หากที่ดูดฝุ่นและเครื่องมือเชื่อมต่อกันเรียบร้อยแล้ว ดวงไฟแสดงการสั่งงานด้วยสัญญาณไร้สายจะสว่างเป็นสีเขียวเป็นเวลา 2 วินาที และจะเริ่มกะพริบเป็นสีฟ้า

**หมายเหตุ:** ดวงไฟแสดงการสั่งงานด้วยสัญญาณไร้สายจะกะพริบเป็นสีเขียวหลังผ่านไป 20 วินาที กดปุ่มสั่งงานด้วยสัญญาณไร้สายบนเครื่องมือในขณะที่ดวงไฟแสดงการสั่งงานด้วยสัญญาณไร้สายบนที่ดูดฝุ่นกำลังกะพริบอยู่ หากดวงไฟแสดงการสั่งงานด้วยสัญญาณไร้สายไม่กะพริบเป็นสีเขียว ให้ดันปุ่มสั่งงานด้วยสัญญาณไร้สายสักครู่ และกดลงไปอีกครั้ง

**หมายเหตุ:** เมื่อต้องการดำเนินการบันทึกเครื่องมือสองเครื่องขึ้นไปสำหรับที่ดูดฝุ่นเครื่องเดียว ให้บันทึกเครื่องมือทีละเครื่อง

## การเริ่มฟังก์ชันสั่งงานด้วยสัญญาณไร้สาย

**หมายเหตุ:** บันทึกเครื่องมือสำหรับที่ดูดฝุ่นให้เสร็จสิ้นก่อนการสั่งงานด้วยสัญญาณไร้สาย

**หมายเหตุ:** โปรดดูคู่มือการใช้งานที่ดูดฝุ่นร่วมด้วย

หลังจากบันทึกเครื่องมือเข้ากับที่ดูดฝุ่นแล้ว ที่ดูดฝุ่นจะทำงานตามการควบคุมด้วยสวิตช์ของเครื่องมือโดยอัตโนมัติ

1. ติดตั้งอุปกรณ์รับส่งสัญญาณไร้สายเข้ากับเครื่องมือ
2. เชื่อมต่อท่อของที่ดูดฝุ่นเข้ากับเครื่องมือ
- ▶ **หมายเหตุ 39**
3. ตั้งสวิตช์เตรียมพร้อมบนที่ดูดฝุ่นเป็น "AUTO"
- ▶ **หมายเหตุ 40:** 1. สวิตช์เตรียมพร้อม
4. ดันปุ่มสั่งงานด้วยสัญญาณไร้สายบนเครื่องมือไว้สักครู่ ดวงไฟแสดงการสั่งงานด้วยสัญญาณไร้สายจะกะพริบเป็นสีฟ้า
- ▶ **หมายเหตุ 41:** 1. ปุ่มสั่งงานด้วยสัญญาณไร้สาย  
2. ดวงไฟแสดงการสั่งงานด้วยสัญญาณไร้สาย
5. ตั้งสวิตช์สั่งงานของเครื่องมือ ตรวจสอบว่าที่ดูดฝุ่นทำงานในขณะที่สวิตช์สั่งงานถูกดึงไว้อยู่

การหยุดการสั่งงานด้วยสัญญาณไร้สายของที่ดูดฝุ่นให้ดันปุ่มสั่งงานด้วยสัญญาณไร้สายบนเครื่องมือ

**หมายเหตุ:** ดวงไฟแสดงการสั่งงานด้วยสัญญาณไร้สายบนเครื่องมือจะหยุดกะพริบเป็นสีฟ้าเมื่อไม่มีการใช้งานเป็นเวลา 2 ชั่วโมง ในกรณีนี้ให้ตั้งสวิตช์เตรียมพร้อมบนที่ดูดฝุ่นไปที่ "AUTO" จากนั้นดันปุ่มสั่งงานด้วยสัญญาณไร้สายบนเครื่องมืออีกครั้ง

**หมายเหตุ:** ที่ดูดฝุ่นจะเริ่ม/หยุดทำงานล่าช้าเล็กน้อย ในขณะที่ที่ดูดฝุ่นตรวจจับการควบคุมด้วยสวิตช์ของเครื่องมือจะมีความล่าช้าเกิดขึ้นเล็กน้อย

**หมายเหตุ:** ระยะเวลาการส่งสัญญาณของอุปกรณ์รับส่งสัญญาณไร้สายอาจแตกต่างกันไปขึ้นอยู่กับสถานที่และสภาวะแวดล้อม

**หมายเหตุ:** เมื่อมีการบันทึกเครื่องมือสองเครื่องขึ้นไปกับที่ดูดฝุ่นเครื่องเดียว ที่ดูดฝุ่นอาจเริ่มทำงานแม้ว่าคุณจะยังไม่ได้ตั้งสวิตช์สั่งงาน เนื่องจากอาจมีผู้ใช้คนอื่นกำลังใช้ฟังก์ชันสั่งงานด้วยสัญญาณไร้สายอยู่

## คำอธิบายสถานะดวงไฟแสดงการสั่งงานด้วยสัญญาณไร้สาย

- **หมายเลข 42:** 1. ดวงไฟแสดงการสั่งงานด้วยสัญญาณไร้สาย

ดวงไฟแสดงการสั่งงานด้วยสัญญาณไร้สายจะแสดงสถานะของฟังก์ชันสั่งงานด้วยสัญญาณไร้สาย ความหมายของสถานะดวงไฟได้ที่ตารางด้านล่าง

สถานะ	ดวงไฟแสดงการสั่งงานด้วยสัญญาณไร้สาย				คำอธิบาย
	สี	<input type="checkbox"/> สว่าง	<input checked="" type="checkbox"/> กระพริบ	ระยะเวลา	
เตรียมพร้อม	สีฟ้า	<input checked="" type="checkbox"/>		2 ชั่วโมง	สามารถใช้การสั่งงานด้วยสัญญาณไร้สายของที่ดูดฝุ่นได้ ดวงไฟจะดับลงอัตโนมัติเมื่อไม่มีการใช้งานเป็นเวลา 2 ชั่วโมง
		<input type="checkbox"/>		เมื่อเครื่องมือกำลังทำงาน	สามารถใช้การสั่งงานด้วยสัญญาณไร้สายของที่ดูดฝุ่นได้และเครื่องมือกำลังทำงานอยู่
การบันทึกเครื่องมือ	สีเขียว	<input checked="" type="checkbox"/>		20 วินาที	พร้อมสำหรับการบันทึกเครื่องมือ รอกการบันทึกโดยที่ดูดฝุ่น
		<input type="checkbox"/>		2 วินาที	การบันทึกเครื่องมือเสร็จสิ้นแล้ว ดวงไฟแสดงการสั่งงานด้วยสัญญาณไร้สายจะเริ่มกระพริบเป็นสีฟ้า
การยกเลิกการบันทึกเครื่องมือ	สีแดง	<input checked="" type="checkbox"/>		20 วินาที	พร้อมสำหรับการยกเลิกการบันทึกเครื่องมือ รอกการยกเลิกโดยที่ดูดฝุ่น
		<input type="checkbox"/>		2 วินาที	การยกเลิกการบันทึกเครื่องมือเสร็จสิ้นแล้ว ดวงไฟแสดงการสั่งงานด้วยสัญญาณไร้สายจะเริ่มกระพริบเป็นสีฟ้า
อื่นๆ	สีแดง	<input type="checkbox"/>		3 วินาที	ไฟฟ้าจะถูกจ่ายไปยังอุปกรณ์รับส่งสัญญาณไร้สายและฟังก์ชันสั่งงานด้วยสัญญาณไร้สายจะเริ่มทำงาน
		ดับ	-	-	การสั่งงานด้วยสัญญาณไร้สายของที่ดูดฝุ่นจะหยุดทำงาน

### การยกเลิกการบันทึกเครื่องมือสำหรับที่ดูดฝุ่น

เมื่อต้องการยกเลิกการบันทึกเครื่องมือสำหรับที่ดูดฝุ่น ให้ดำเนินการตามขั้นตอนดังต่อไปนี้

1. ติดตั้งแบตเตอรี่เข้ากับที่ดูดฝุ่นและเครื่องมือ
  2. ตั้งสวิตช์เตรียมพร้อมบนที่ดูดฝุ่นเป็น "AUTO"
- **หมายเลข 43:** 1. สวิตช์เตรียมพร้อม
3. กดปุ่มสั่งงานด้วยสัญญาณไร้สายบนที่ดูดฝุ่นค้างไว้ประมาณ 6 วินาที ดวงไฟแสดงการสั่งงานด้วยสัญญาณไร้สายจะกระพริบเป็นสีเขียว จากนั้นจะเปลี่ยนเป็นสีแดง หลังจากนั้นให้กดปุ่มสั่งงานด้วยสัญญาณไร้สายบนเครื่องมือในลักษณะเดียวกัน

- **หมายเลข 44:** 1. ปุ่มสั่งงานด้วยสัญญาณไร้สาย  
2. ดวงไฟแสดงการสั่งงานด้วยสัญญาณไร้สาย

หากดำเนินการยกเลิกเสร็จสิ้นแล้ว ดวงไฟแสดงการสั่งงานด้วยสัญญาณไร้สายจะสว่างขึ้นเป็นสีแดงประมาณ 2 วินาที และจะเริ่มกระพริบเป็นสีฟ้า

**หมายเหตุ:** ดวงไฟแสดงการสั่งงานด้วยสัญญาณไร้สายจะหยุดกระพริบเป็นสีแดงหลังผ่านไป 20 วินาที กดปุ่มสั่งงานด้วยสัญญาณไร้สายบนเครื่องมือในขณะที่ดวงไฟแสดงการสั่งงานด้วยสัญญาณไร้สายบนที่ดูดฝุ่นกำลังกระพริบอยู่ หากดวงไฟแสดงการสั่งงานด้วยสัญญาณไร้สายไม่กระพริบเป็นสีแดง ให้ดันปุ่มสั่งงานด้วยสัญญาณไร้สายสักครู่ แล้วคลิกอีกครั้ง

## การแก้ไขปัญหาสำหรับฟังก์ชันสั่งงานด้วยสัญญาณไร้สาย

ก่อนนำไปซ่อม ให้ทำการตรวจสอบด้วยตัวเองก่อน หากพบปัญหาที่ไม่มีอธิบายในคู่มือการใช้งาน อย่าพยายามถอดแยกเครื่องมือ แต่ให้นำไปซ่อมที่ศูนย์บริการหรือโรงงานที่ผ่านการรับรองจาก Makita และใช้ชิ้นส่วนอะไหล่ของ Makita

สถานะความผิดปกติ	สาเหตุที่เป็นไปได้ (การทำงานผิดปกติ)	การแก้ไข
ดวงไฟแสดงการสั่งงานด้วยสัญญาณไร้สายไม่สว่าง/กะพริบ	อุปกรณ์รับส่งสัญญาณไร้สายไม่ถูกติดตั้งลงในเครื่องมือ	ติดตั้งอุปกรณ์รับส่งสัญญาณไร้สายให้ถูกต้อง
	อุปกรณ์รับส่งสัญญาณไร้สายไม่ถูกติดตั้งลงในเครื่องมืออย่างถูกต้อง	
	ขั้วต่อของอุปกรณ์รับส่งสัญญาณไร้สายและ/หรือช่องเสียบสกรู	ค่อยๆ เช็ดฝุ่นและสิ่งสกปรกบนขั้วต่อของอุปกรณ์รับส่งสัญญาณไร้สายและทำความสะอาดช่องเสียบ
	ปุ่มสั่งงานด้วยสัญญาณไร้สายบนเครื่องมือยังไม่ถูกดันเข้าไป	ดันปุ่มสั่งงานด้วยสัญญาณไร้สายบนเครื่องมือไว้สักครู่
	สวิตช์เตรียมพร้อมบนที่ดูดฝุ่นไม่ได้ถูกตั้งเป็น "AUTO"	ตั้งสวิตช์เตรียมพร้อมบนที่ดูดฝุ่นเป็น "AUTO"
	ไม่มีการจ่ายไฟฟ้า	จ่ายไฟฟ้าให้เครื่องมือและที่ดูดฝุ่น
ไม่สามารถเสร็จสิ้นการบันทึกเครื่องมือ / การยกเลิกการบันทึกเครื่องมือได้สำเร็จ	อุปกรณ์รับส่งสัญญาณไร้สายไม่ถูกติดตั้งลงในเครื่องมือ	ติดตั้งอุปกรณ์รับส่งสัญญาณไร้สายให้ถูกต้อง
	อุปกรณ์รับส่งสัญญาณไร้สายไม่ถูกติดตั้งลงในเครื่องมืออย่างถูกต้อง	
	ขั้วต่อของอุปกรณ์รับส่งสัญญาณไร้สายและ/หรือช่องเสียบสกรู	ค่อยๆ เช็ดฝุ่นและสิ่งสกปรกบนขั้วต่อของอุปกรณ์รับส่งสัญญาณไร้สายและทำความสะอาดช่องเสียบ
	สวิตช์เตรียมพร้อมบนที่ดูดฝุ่นไม่ได้ถูกตั้งเป็น "AUTO"	ตั้งสวิตช์เตรียมพร้อมบนที่ดูดฝุ่นเป็น "AUTO"
	ไม่มีการจ่ายไฟฟ้า	จ่ายไฟฟ้าให้เครื่องมือและที่ดูดฝุ่น
	การทำงานไม่ถูกต้อง	ดันปุ่มสั่งงานด้วยสัญญาณไร้สายไว้สักครู่ จากนั้นดำเนินการขั้นตอนการบันทึก/การยกเลิกเครื่องมืออีกครั้ง
	เครื่องมือและที่ดูดฝุ่นอยู่ห่างจากกัน (เกินช่วงระยะการส่งสัญญาณ)	นำเครื่องมือและที่ดูดฝุ่นเข้ามาไว้ใกล้กันมากขึ้น ระยะการส่งสัญญาณสูงสุดคือประมาณ 10 m อย่างไรก็ตามอาจแตกต่างกันไปขึ้นอยู่กับสถานะแวดล้อม
	ก่อนเสร็จสิ้นการบันทึก/การยกเลิกเครื่องมือ - สวิตช์สั่งงานบนเครื่องมือถูกตั้งอยู่ หรือ - ปุ่มไฟหลักบนที่ดูดฝุ่นเปิดอยู่	ดันปุ่มสั่งงานด้วยสัญญาณไร้สายไว้สักครู่ จากนั้นดำเนินการขั้นตอนการบันทึก/การยกเลิกเครื่องมืออีกครั้ง
	ขั้นตอนการบันทึกเครื่องมือสำหรับเครื่องมือหรือที่ดูดฝุ่นยังไม่เสร็จสิ้น	ดำเนินการตามขั้นตอนการบันทึกเครื่องมือสำหรับทั้งเครื่องมือและที่ดูดฝุ่นในเวลาเดียวกัน
การรบกวนจากคลื่นวิทยุของเครื่องใช้อื่นๆ ซึ่งทำให้เกิดคลื่นวิทยุความถี่สูง	นำเครื่องมือและที่ดูดฝุ่นออกห่างจากเครื่องใช้ต่างๆ เช่น อุปกรณ์ Wi-Fi และเตาอบไมโครเวฟ	

สภาวะความผิดปกติ	สาเหตุที่เป็นไปได้ (การทำงานผิดปกติ)	การแก้ไข
ที่ดูดฝุ่นไม่ทำงานตามการควบคุมด้วยสวิตช์ของเครื่องมือ	อุปกรณ์รับส่งสัญญาณไร้สายไม่ถูกติดตั้งลงในเครื่องมือ	ติดตั้งอุปกรณ์รับส่งสัญญาณไร้สายให้ถูกต้อง
	อุปกรณ์รับส่งสัญญาณไร้สายไม่ถูกติดตั้งลงในเครื่องมืออย่างถูกต้อง	
	ขั้วต่อของอุปกรณ์รับส่งสัญญาณไร้สายและ/หรือช่องเสียบสปริง	ค่อยๆ เช็ดฝุ่นและสิ่งสกปรกบนขั้วต่อของอุปกรณ์รับส่งสัญญาณไร้สายและทำความสะอาดช่องเสียบ
	ปุ่มสั่งงานด้วยสัญญาณไร้สายบนเครื่องมือยังไม่ถูกดันเข้าไป	ดันปุ่มสั่งงานด้วยสัญญาณไร้สายไว้สักครู่ และตรวจสอบให้แน่ใจว่าดวงไฟแสดงการทำงานของสัญญาณไร้สายกะพริบเป็นสีฟ้า
	สวิตช์เตรียมพร้อมบนที่ดูดฝุ่นไม่ได้ถูกตั้งเป็น "AUTO"	ตั้งสวิตช์เตรียมพร้อมบนที่ดูดฝุ่นเป็น "AUTO"
	มีเครื่องมือที่บันทึกเข้ากับที่ดูดฝุ่นมากกว่า 10 เครื่อง	ดำเนินการบันทึกเครื่องมืออีกครั้ง หากมีเครื่องมือที่บันทึกเข้ากับที่ดูดฝุ่นมากกว่า 10 เครื่อง เครื่องมือที่บันทึกเครื่องแรกสุดจะถูกยกเลิกไปโดยอัตโนมัติ
	ที่ดูดฝุ่นลบการบันทึกเครื่องมือทั้งหมด	ดำเนินการบันทึกเครื่องมืออีกครั้ง
	ไม่มีการจ่ายไฟฟ้า	จ่ายไฟฟ้าให้เครื่องมือและที่ดูดฝุ่น
ที่ดูดฝุ่นทำงานในขณะที่สวิตช์สั่งงานเครื่องมือยังไม่ถูกตั้ง	เครื่องมือและที่ดูดฝุ่นอยู่ห่างจากกัน (เกินช่วงระยะการส่งสัญญาณ)	นำเครื่องมือและที่ดูดฝุ่นเข้ามาไว้ใกล้กันมากขึ้น ระยะการส่งสัญญาณสูงสุดคือประมาณ 10 m อย่างไรก็ตามอาจแตกต่างกันไปขึ้นอยู่กับสภาวะแวดล้อม
	การรบกวนจากคลื่นวิทยุของเครื่องใช้อื่นๆ ซึ่งทำให้เกิดคลื่นวิทยุความถี่สูง	นำเครื่องมือและที่ดูดฝุ่นออกห่างจากเครื่องใช้ต่างๆ เช่น อุปกรณ์ Wi-Fi และเตาอบไมโครเวฟ
	ผู้ใช้คนอื่นกำลังใช้การสั่งงานด้วยสัญญาณไร้สายของที่ดูดฝุ่นจากเครื่องมือของพวกเขาอยู่	ปิดปุ่มสั่งงานด้วยสัญญาณไร้สายของเครื่องมืออื่นๆ หรือยกเลิกการบันทึกเครื่องมือของเครื่องมืออื่น

### การบำรุงรักษา

**⚠️ ข้อควรระวัง:** ตรวจสอบให้แน่ใจว่าได้ปิดสวิตช์เครื่องมือและถอดดัดแบตเตอรี่ออกก่อนทำการตรวจสอบหรือบำรุงรักษา

**⚠️ ข้อควรระวัง:** ทำความสะอาดที่ป้องกันด้านบนและด้านล่างเพื่อให้แน่ใจว่าไม่มีฝุ่นเล็ดลอดออกมาซึ่งอาจขัดขวางการทำงานของระบบป้องกันด้านล่าง ระบบป้องกันที่สกปรกอาจเป็นตัวจำกัดไม่ให้อุปกรณ์ทำงานได้อย่างถูกต้องซึ่งอาจส่งผลให้เกิดการบาดเจ็บร้ายแรง วิธีที่มีประสิทธิภาพที่สุดในการทำความสะอาดก็คือใช้ลมเป่า ถ้าฝุ่นผงกำลังถูกเป่าออกจากที่ป้องกัน ให้ใช้อุปกรณ์ป้องกันดวงตาและการหายใจที่เหมาะสมด้วย

**ข้อสังเกต:** อย่าใช้น้ำมันเชื้อเพลิง เบนซิน ทินเนอร์ แอลกอฮอล์ หรือวัสดุประเภทเดียวกัน เนื่องจากอาจทำให้ลื่นหรือเสียหายได้

เพื่อความปลอดภัยและแนะนำเชื้อถือของผลิตภัณฑ์ ควรให้ศูนย์บริการหรือโรงงานที่ผ่านการรับรองจาก Makita เป็นผู้ดำเนินการซ่อมแซม บำรุงรักษาและทำการปรับตั้งอื่นๆ นอกจากนี้ให้ใช้อะไหล่ของแท้จาก Makita เสมอ

## การปรับความแม่นยำของการตัดมุม 0° หรือ 45°

การปรับนี้ทำมาแล้วจากโรงงาน แต่หากยังปิดอยู่ คุณสามารถปรับได้ตามขั้นตอนต่อไปนี้

1. คลายก้านและสกรูกันคลายบนด้านหน้าและด้านหลังของเครื่องมือเพื่อให้สามารถเปลี่ยนองศามุมเอียงได้ ตั้งสตีปเปอร์ไปที่ตำแหน่งองศามุมเอียง 0° - 45° หากคุณกำลังปรับความแม่นยำของการตัดมุม 45°

▶ **หมายเลข 45:** 1. สตีปเปอร์

2. ทำให้ฐานตั้งฉากหรือทำมุม 45° กับใบเลื่อยวงกลมโดยใช้ไม้บรรทัดสามเหลี่ยมโดยหมุนสกรูปรับด้วยประแจหกเหลี่ยม คุณสามารถใช้ไม้บรรทัดสี่เหลี่ยมเพื่อปรับมุม 0° ได้ด้วย

▶ **หมายเลข 46:** 1. ไม้บรรทัดสามเหลี่ยม

▶ **หมายเลข 47:** 1. สกรูปรับสำหรับมุม 0° 2. สกรูปรับสำหรับมุม 45°

3. ชันก้านและสกรูกันคลาย จากนั้นทดลองตัดเพื่อทดสอบมุมที่ต้องการ

## การปรับความขนาน

การปรับนี้ทำมาแล้วจากโรงงาน แต่หากยังปิดอยู่ คุณสามารถปรับได้ตามขั้นตอนต่อไปนี้

1. ตั้งเครื่องมือไปที่ระดับความลึกการตัดสูงสุด

2. ตรวจสอบให้แน่ใจว่าก้านและสกรูทั้งหมดขันแน่นแล้ว คลายสกรูเล็กน้อยตามที่แสดงในภาพ

▶ **หมายเลข 48:** 1. สกรู 2. ฐาน

3. ขณะที่เปิดที่ป้องกันด้านล่าง ให้ขยับฐานด้านหลังเพื่อให้ระยะห่างระหว่าง A และ B เท่ากัน

4. ชันสกรูให้แน่นและทดลองตัดเพื่อทดสอบความขนาน

## อุปกรณ์เสริม

**⚠ ข้อควรระวัง:** ขอแนะนำให้ใช้เฉพาะอุปกรณ์เสริมหรืออุปกรณ์ต่อพ่วงเหล่านี้กับเครื่องมือ Makita ที่ระบุในคู่มือการใช้งานใช้อุปกรณ์เสริมหรืออุปกรณ์ต่อพ่วงอื่นๆ อาจมีความเสี่ยงที่จะได้รับบาดเจ็บ ใช้อุปกรณ์เสริมหรืออุปกรณ์ต่อพ่วงตามวัตถุประสงค์ที่ระบุไว้เท่านั้น

หากต้องการทราบรายละเอียดเพิ่มเติมเกี่ยวกับอุปกรณ์เสริมเหล่านี้ โปรดสอบถามศูนย์บริการ Makita ใกล้บ้านคุณ

- ใบเลื่อยวงกลม
- ฉากตัด (ตัวนำ)
- ขอกเกี่ยว
- รางนำ
- ตัวนำมุมเอียง
- ที่หนีบ
- แผ่น
- แผ่นยาง
- แผ่นตำแหน่ง
- ตัวปรับรางนำ
- แถบไม้บรรทัด
- ท่อดักฝุ่น
- ประแจหกเหลี่ยม
- อุปกรณ์รับส่งสัญญาณไร้สาย (สำหรับ DHS661)
- แบตเตอรี่และเครื่องชาร์จ Makita ของแท้

**หมายเหตุ:** อุปกรณ์บางรายการอาจรวมอยู่ในชุดเครื่องมือเป็นอุปกรณ์มาตรฐาน ซึ่งอาจแตกต่างกันไปในแต่ละประเทศ





**Makita Corporation**  
3-11-8, Sumiyoshi-cho,  
Anjo, Aichi 446-8502 Japan  
[www.makita.com](http://www.makita.com)

885646B378  
EN, ZHCN, ID,  
VI, TH  
20200511