

## DIAL DEPTH GAUGE

Wide measuring range for depth measurement

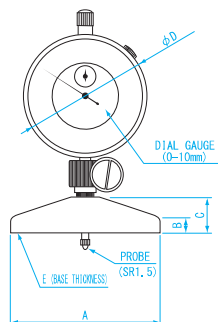


<b>GO/NOGO judgment</b> Limit Mark Sticker <b>P247</b>	<b>Rust prevention</b> Zerust Film for Steel <b>P380</b>
--	--



DD-1050

### DIMENSIONS



Units : mm

Model No.	A	B	C	D	E
DD-1050	50	7	18	60	16
DD-10100	100				

### USE

- Depth measuring

### MATERIAL

- Body&probe: Steel

### FEATURES

- Includes multiple extension rods (10mm·20mm·40mm·60mm·80mm), combined up to 210mm depths can be measured

Order No.	Model No.	Graduation (mm)	Measuring Range (mm)	Error over entire range (μm)	Weight
151711	DD-1050	0.01	Depth: up to 210 Dial gauge: 10	±20	280g
151712	DD-10100				350g

## DIGITAL THICKNESS GAUGE

Digital type for easy reading

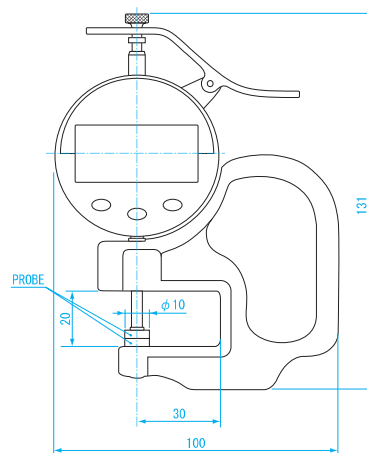


<b>Rust prevention</b> Zerust Film for Steel <b>P380</b>
--



### DIMENSIONS

Units : mm



### USE

- One touch thickness measurement of sheet material

### MATERIAL

- Body: Steel
- Probe: Ceramic

### FEATURES

- Digital display for easy reading
- Easy to operate for quick measurements
- Auto power off function (after approx. 5 min.)
- Display hold function

### POWER

- One CR2032 (Lithium) battery included for testing

※ Quantization Error (± 1 digit) not included

Order No.	Model No.	Graduation (mm)	Measuring Range (mm)	Insert Depth (mm)	Accuracy <sup>※</sup> (μm)	Measuring Faces	Weight
151720	DES-3010	0.01	0~10	30	±20	φ10mm Flat	180g



DIAL GAUGE

DIAL INDICATOR

THICKNESS GAUGE

BORE GAUGE

CALIPER GAUGE

HARDNESS-TENSION-FILM THICKNESS

MAGNETIC BASE

## DIAL THICKNESS GAUGES

Good performance and reasonable price



<b>GO/NOGO judgment▶</b> Limit Mark Sticker <b>P247</b>	<b>Rust prevention▶</b> Zerust Film for Steel <b>P380</b>
---	---

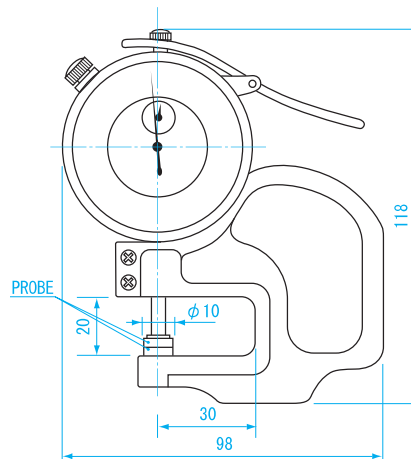


Example of mounting  
DSB-3010S



● DIMENSIONS

Units : mm



USE

- One touch thickness measurement of sheet material

MATERIAL

- Body: Steel
- Probe: Ceramic

FEATURES

- Easy to operate for quick measurements
- Shock proof spindle mechanism protects the gear from abrupt motion
- Dedicated base DSB-3010S sold separately (for DS-3010S only)

Order No.	Model No.	Graduation (mm)	Measurement Range (mm)	Insertion Depth (mm)	Accuracy (μm)	Measuring Faces	Weight
151680	DS-3010S	0.01	0~10	30	±20	φ10mm Flat	200g

■ Dial thickness gauge dedicated base

Order No.	Model No.	Weight
151685	DSB-3010S	370g

## DIAL THICKNESS GAUGES

Good performance and reasonable price

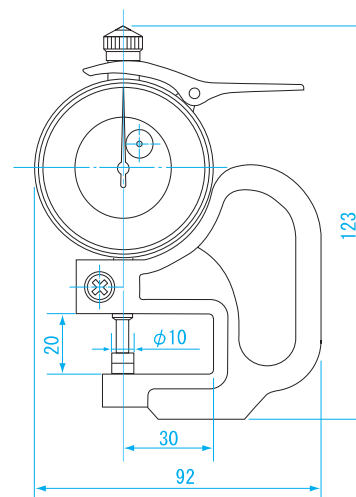


<b>GO/NOGO judgment▶</b> Limit Mark Sticker <b>P247</b>	<b>Rust prevention▶</b> Zerust Film for Steel <b>P380</b>
---	---



● DIMENSIONS

Units : mm



USE

- One touch thickness measurement of sheet metal

MATERIAL

- Body&probe: Steel

FEATURES

- Easy to operate for a quick measurement

Order No.	Model No.	Graduation (mm)	Measurement Range (mm)	Insertion Depth (mm)	Accuracy (μm)	Measuring Faces (mm)	Weight
151532	DS-1211	0.01	0~10	30	±20	φ10mm Flat	260g



- DIAL GAUGE
- DIAL INDICATOR
- THICKNESS GAUGE
- BORE GAUGE
- CALIPER GAUGE
- HARDNESS-TENSION-FILM THICKNESS
- MAGNETIC BASE

DIGITAL BORE GAUGE **NEW!**

Digital gauge included.  
Good performance and reasonable price.



<b>Zero pint setting▶</b> Ring Gauge <b>P68</b> ~72	<b>Replacement parts▶</b> Parts for Bore Gauge <b>P257</b>	<b>Rust prevention▶</b> Zerust Film for Steel <b>P380</b>
--	--	---

Digital indicator included



WCDI-6D

WCDI-10D



WCDI-6D Measuring Head  
[Two point measurement]

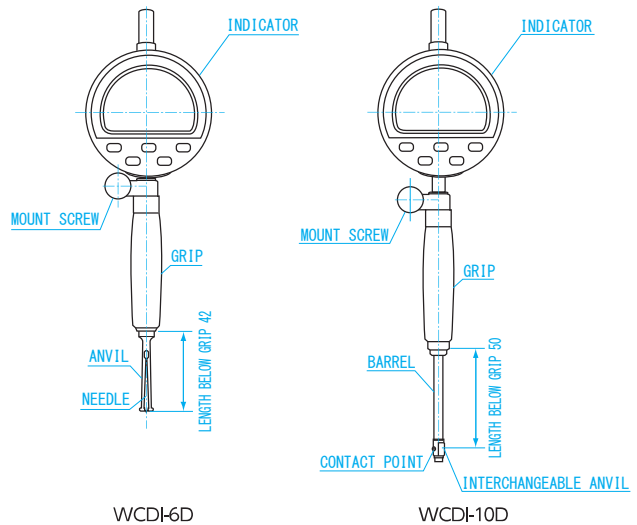


WCDI-10D Measuring Head



● DIMENSIONS · PARTS NAME

Units : mm



WCDI-6D

WCDI-10D

※ Quantization Error ( ± 1 digit) not included  
\* Including attached digital gauge

Parts for Bore Gauge⇒P257

Order No.	Model No.	Weight
<b>NEW!</b> 151868	WCDI-6D	255g
<b>NEW!</b> 151869	WCDI-10D	265g

Resolution (mm)	Measuring Range (mm)	Error over Entire Range <sup>*)</sup> (μm)	Adjacent Error <sup>*)</sup> (μm)	Repeatability <sup>*)</sup> (μm)	Effective Stroke of Contact Point (mm)	Interchangeable Anvil	Measuring Head	Interchangeable Washer
0.002	4~ 6	10	5	3	0.6	-	[Two point measurement] 4pcs (0.5mm step)	None
	6~10	12			0.7	9 pcs (0.5mm step)	-	None



DIAL GAUGE

DIAL INDICATOR

THICKNESS GAUGE

BORE GAUGE

CALIPER GAUGE

HARDNESS-TENSION-RUN THICKNESS

MAGNETIC BASE