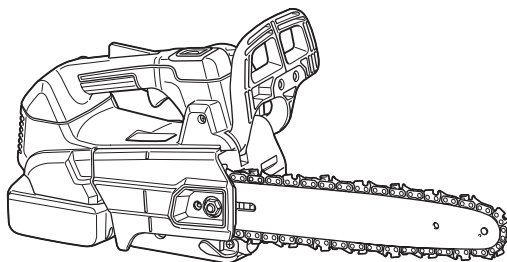
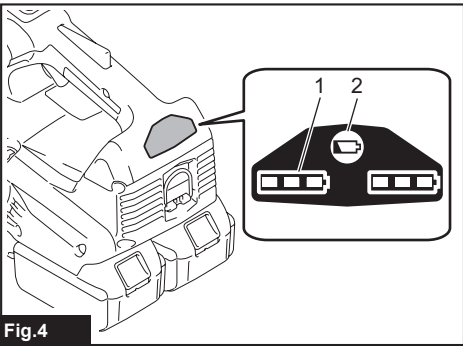
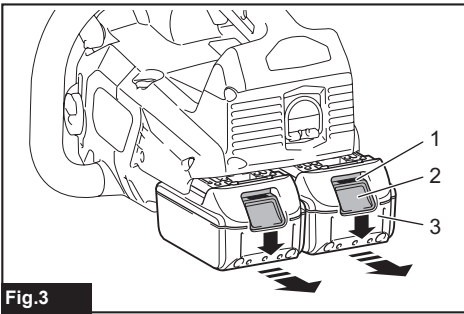
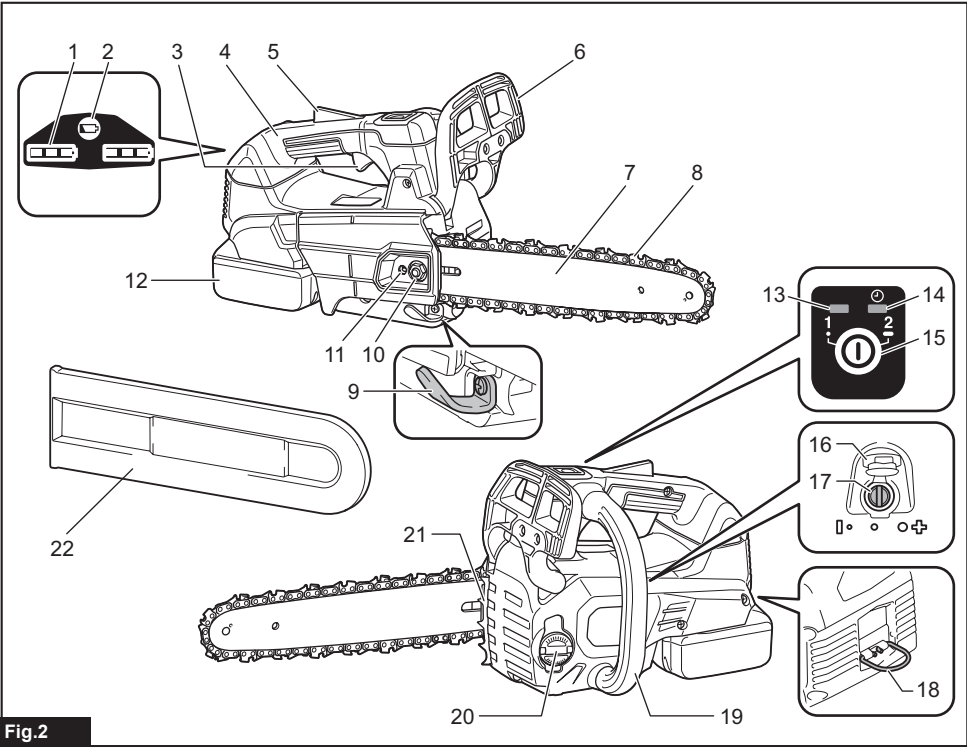
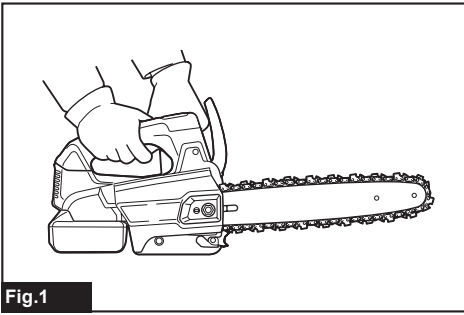




EN	Cordless Chain Saw	INSTRUCTION MANUAL	8
ID	Gergaji Mesin Nirkabel	PETUNJUK PENGGUNAAN	23
VI	Máy Cưa Xích Cầm Tay Hoạt Động Bằng Pin	TÀI LIỆU HƯỚNG DẪN	40
TH	เลื่อยไฟฟ้าไร้สาย	คู่มือการใช้งาน	54

**DUC256**  
**DUC306**  
**DUC356**  
**DUC406**  
**DUC256C**





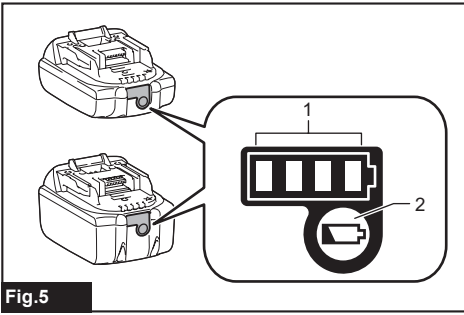


Fig. 5

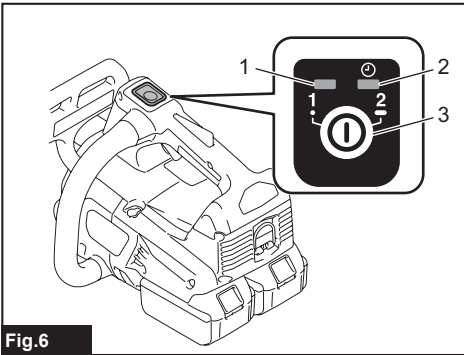


Fig. 6

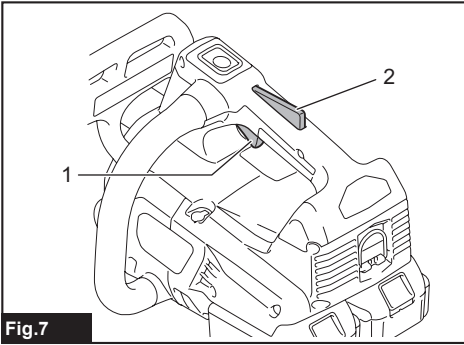


Fig. 7

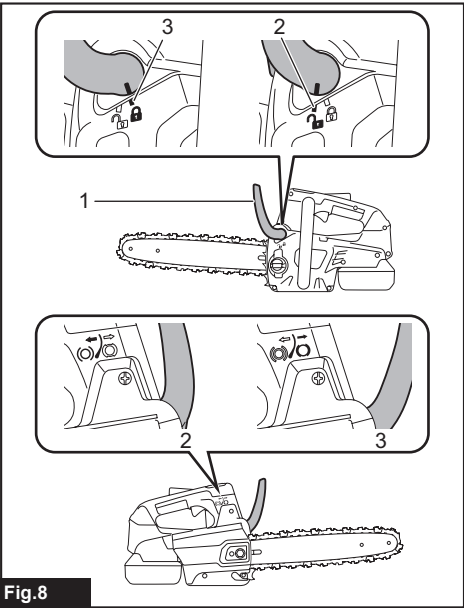


Fig. 8

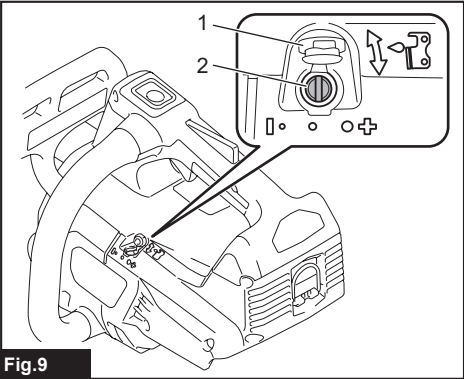


Fig. 9

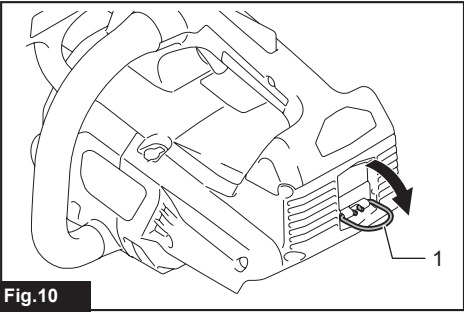


Fig. 10

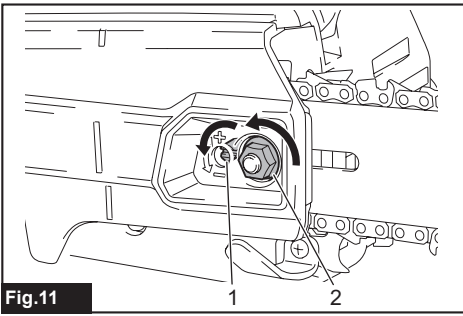


Fig.11

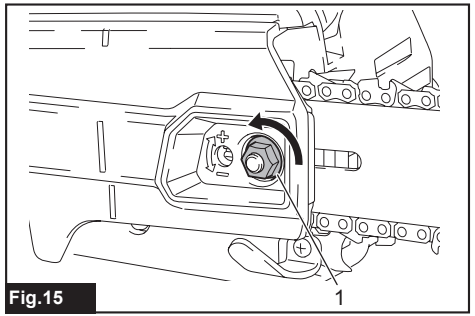


Fig.15

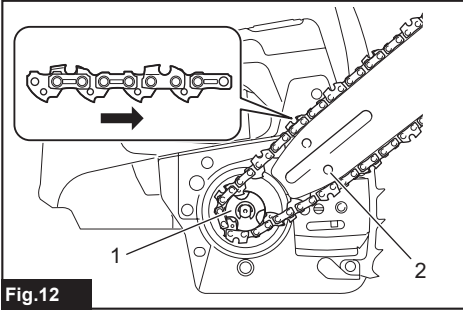


Fig.12

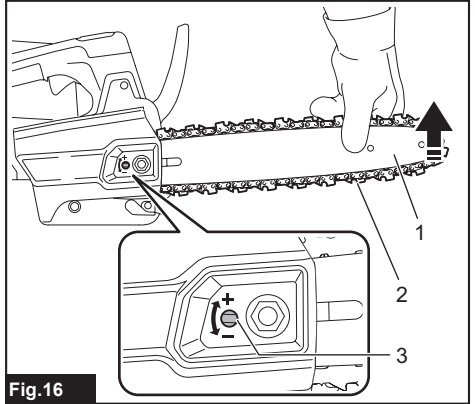


Fig.16

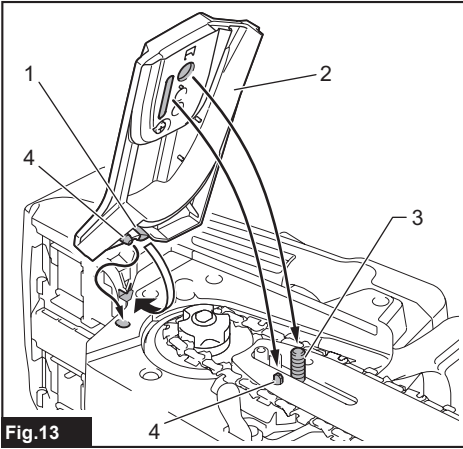


Fig.13

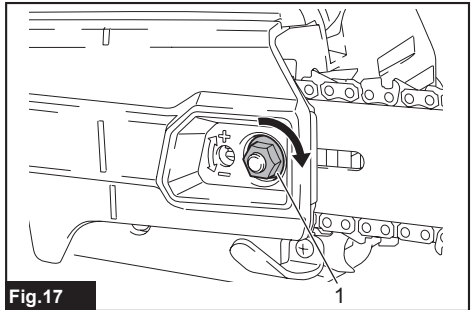


Fig.17

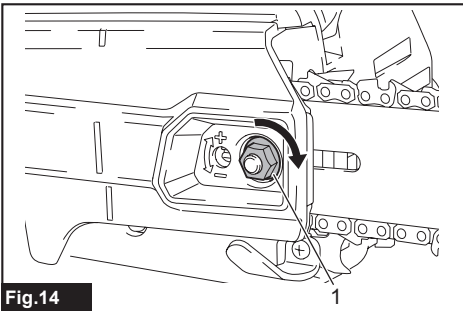


Fig.14

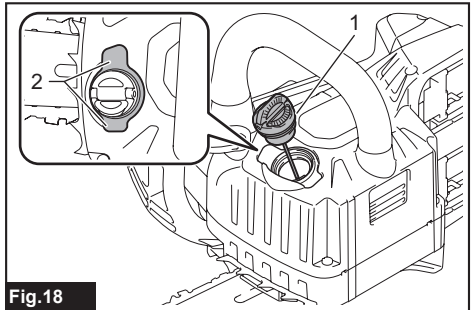
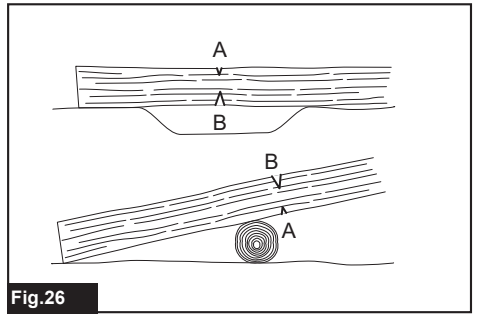
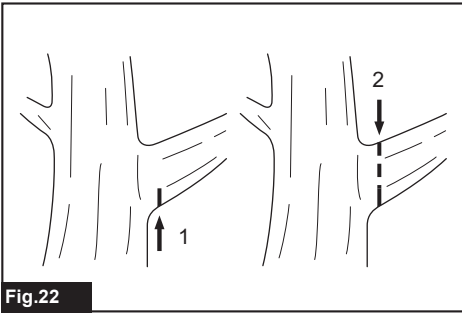
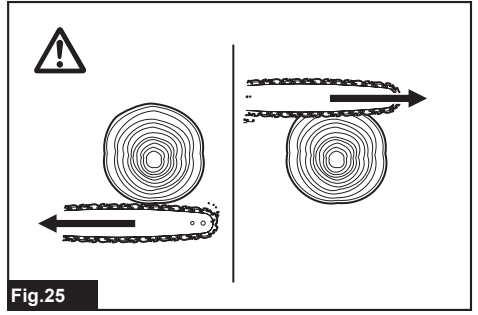
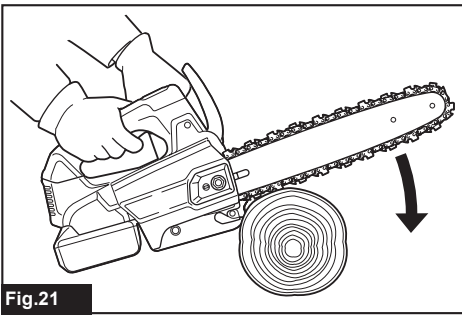
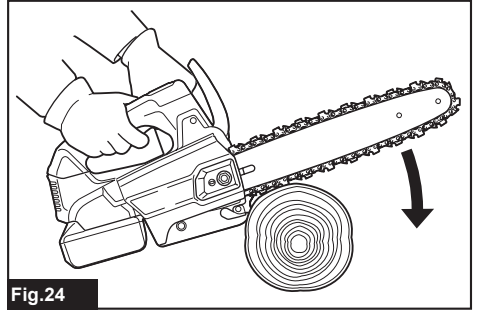
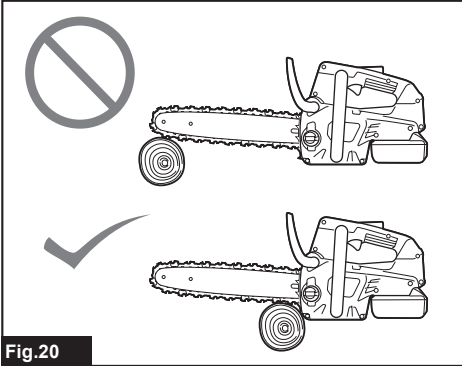
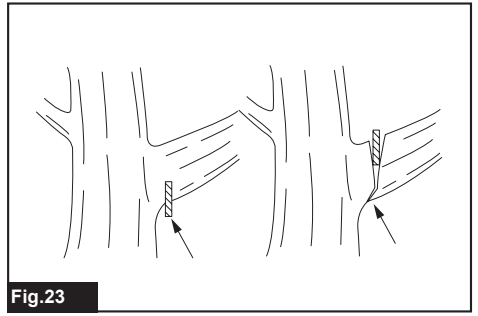
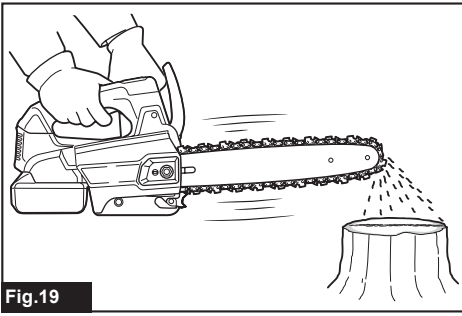
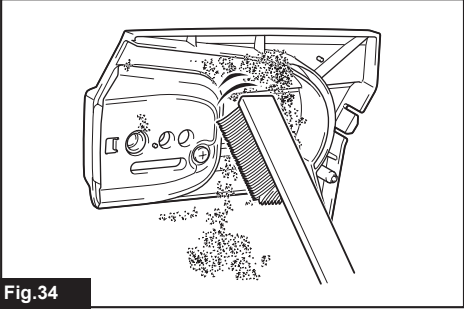
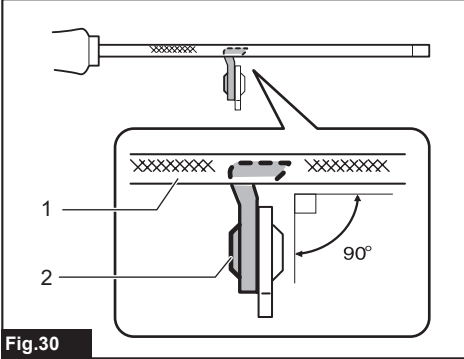
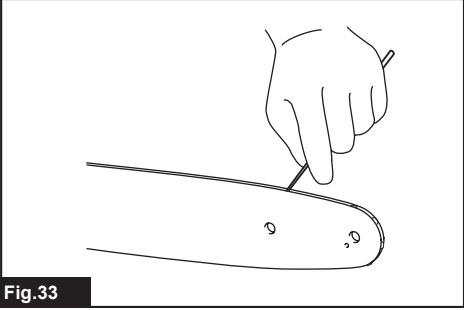
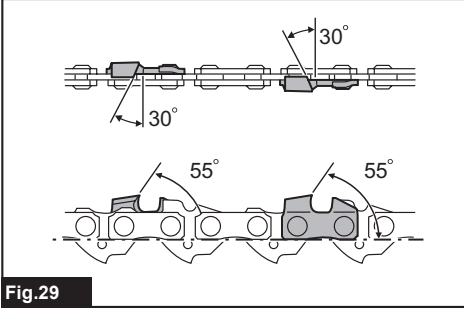
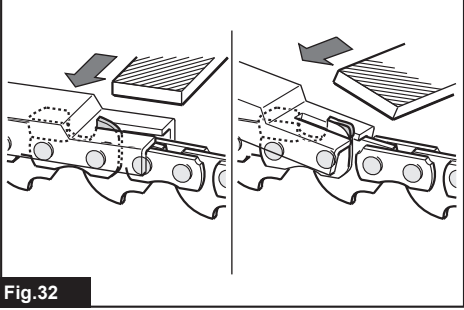
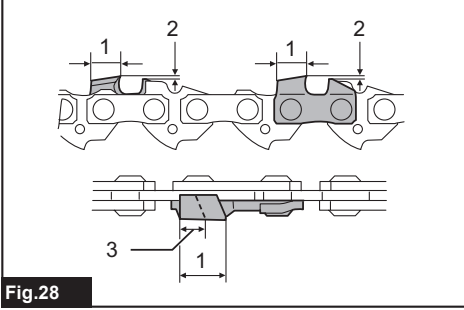
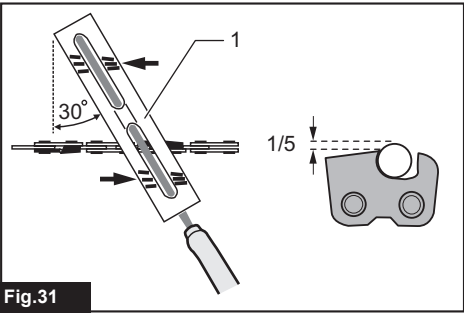
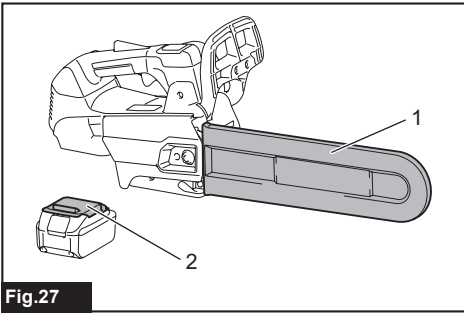
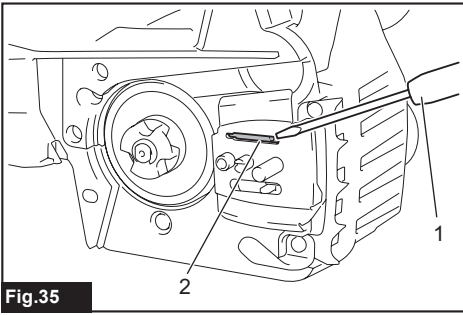


Fig.18

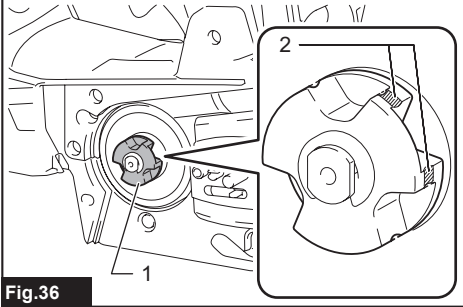




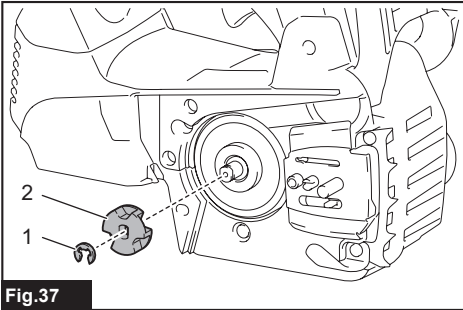




**Fig.35**



**Fig.36**



**Fig.37**

# SPECIFICATIONS

Model:		DUC256	DUC306	DUC356	DUC406	DUC256C
Overall length (without guide bar)		270 mm				
Rated voltage		D.C. 36 V				
Net weight		4.6 - 4.8 kg	4.7 - 4.9 kg	4.8 - 5.0 kg	4.8 - 5.1 kg	4.6 - 4.7 kg
Standard guide bar length		250 mm	300 mm	350 mm	400 mm	250 mm
Recommended guide bar length	with 90PX	250 - 400 mm				-
	with 91PX	250 - 400 mm				-
	with 25AP	-				250 mm
Applicable saw chain type (refer to the table below)					90PX 91PX	25AP
Standard sprocket	Number of teeth	6				9
	Pitch	3/8"				1/4"
Chain speed		0 - 20 m/s (0 - 1,200 m/min)				
Chain oil tank volume		200 cm <sup>3</sup>				

- Due to our continuing program of research and development, the specifications herein are subject to change without notice.
- Specifications may differ from country to country.
- The weight may differ depending on the attachment(s), including the battery cartridge. The lightest and heaviest combination, according to EPTA-Procedure 01/2014, are shown in the table.

### Applicable battery cartridge

BL1830 / BL1830B / BL1840 / BL1840B / BL1850B / BL1860B

- Some of the battery cartridges listed above may not be available depending on your region of residence.

**⚠ WARNING:** Only use the battery cartridges listed above. Use of any other battery cartridges may cause injury and/or fire.

### Saw chain, guide bar, and sprocket combination

Saw chain type		90PX			
Number of drive links		40	46	52	56
Guide bar	Guide bar length	250 mm	300 mm	350 mm	400 mm
	Cutting length	238 mm	294 mm	350 mm	387 mm
	Pitch	3/8"			
	Gauge	1.1 mm			
	Type	Sprocket nose bar			
Sprocket	Number of teeth	6			
	Pitch	3/8"			













Saw chain type		91PX			
Number of drive links		40	46	52	56
Guide bar	Guide bar length	250 mm	300 mm	350 mm	400 mm
	Cutting length	238 mm	294 mm	350 mm	387 mm
	Pitch	3/8"			
	Gauge	1.3 mm			
	Type	Sprocket nose bar			
Sprocket	Number of teeth	6			
	Pitch	3/8"			

Saw chain type		25AP
Number of drive links		60
Guide bar	Guide bar length	250 mm
	Cutting length	253 mm
	Pitch	1/4"
	Gauge	1.3 mm
	Type	Carving bar
Sprocket	Number of teeth	9
	Pitch	1/4"

**⚠ WARNING:** Use appropriate combination of the guide bar and saw chain. Otherwise personal injury may result.

## Symbols

The followings show the symbols used for the equipment. Be sure that you understand their meaning before use.

	Read instruction manual.
	Wear safety glasses.
	Wear ear protection.
	Wear a helmet, goggles and ear protection.
	Use appropriate protection for foot-leg and hand-arm.
	This saw is to be used by properly trained operators only.
	Do not expose to moisture.
	Maximum permissible cut length
	Always use two hands when operating the chain saw.
	Beware of chain saw kickback and avoid contact with bar tip.
	Direction of chain travel
	Saw chain oil adjustment



Only for EU countries  
Do not dispose of electric equipment or battery pack together with household waste material!  
In observance of the European Directives, on Waste Electric and Electronic Equipment and Batteries and Accumulators and Waste Batteries and Accumulators and their implementation in accordance with national laws, electric equipment and batteries and battery pack(s) that have reached the end of their life must be collected separately and returned to an environmentally compatible recycling facility.

## Intended use

The tool is intended for cutting branches and pruning trees. It is also suitable for tree service.

# SAFETY WARNINGS

## General power tool safety warnings

**⚠ WARNING:** Read all safety warnings, instructions, illustrations and specifications provided with this power tool. Failure to follow all instructions listed below may result in electric shock, fire and/or serious injury.

## Save all warnings and instructions for future reference.

The term "power tool" in the warnings refers to your mains-operated (corded) power tool or battery-operated (cordless) power tool.

### Work area safety

1. **Keep work area clean and well lit.** Cluttered or dark areas invite accidents.
2. **Do not operate power tools in explosive atmospheres, such as in the presence of flammable liquids, gases or dust.** Power tools create sparks which may ignite the dust or fumes.
3. **Keep children and bystanders away while operating a power tool.** Distractions can cause you to lose control.

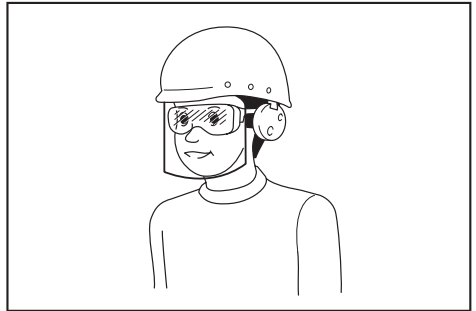
## Electrical safety

1. **Power tool plugs must match the outlet. Never modify the plug in any way. Do not use any adapter plugs with earthed (grounded) power tools.** Unmodified plugs and matching outlets will reduce risk of electric shock.
2. **Avoid body contact with earthed or grounded surfaces, such as pipes, radiators, ranges and refrigerators.** There is an increased risk of electric shock if your body is earthed or grounded.
3. **Do not expose power tools to rain or wet conditions.** Water entering a power tool will increase the risk of electric shock.
4. **Do not abuse the cord. Never use the cord for carrying, pulling or unplugging the power tool. Keep cord away from heat, oil, sharp edges or moving parts.** Damaged or entangled cords increase the risk of electric shock.
5. **When operating a power tool outdoors, use an extension cord suitable for outdoor use.** Use of a cord suitable for outdoor use reduces the risk of electric shock.
6. **If operating a power tool in a damp location is unavoidable, use a residual current device (RCD) protected supply.** Use of an RCD reduces the risk of electric shock.
7. **Power tools can produce electromagnetic fields (EMF) that are not harmful to the user.**  
However, users of pacemakers and other similar medical devices should contact the maker of their device and/or doctor for advice before operating this power tool.

## Personal safety

1. **Stay alert, watch what you are doing and use common sense when operating a power tool. Do not use a power tool while you are tired or under the influence of drugs, alcohol or medication.** A moment of inattention while operating power tools may result in serious personal injury.
2. **Use personal protective equipment. Always wear eye protection.** Protective equipment such as a dust mask, non-skid safety shoes, hard hat or hearing protection used for appropriate conditions will reduce personal injuries.
3. **Prevent unintentional starting. Ensure the switch is in the off-position before connecting to power source and/or battery pack, picking up or carrying the tool.** Carrying power tools with your finger on the switch or energising power tools that have the switch on invites accidents.
4. **Remove any adjusting key or wrench before turning the power tool on.** A wrench or a key left attached to a rotating part of the power tool may result in personal injury.
5. **Do not overreach. Keep proper footing and balance at all times.** This enables better control of the power tool in unexpected situations.
6. **Dress properly. Do not wear loose clothing or jewellery. Keep your hair and clothing away from moving parts.** Loose clothes, jewellery or long hair can be caught in moving parts.

7. **If devices are provided for the connection of dust extraction and collection facilities, ensure these are connected and properly used.** Use of dust collection can reduce dust-related hazards.
8. **Do not let familiarity gained from frequent use of tools allow you to become complacent and ignore tool safety principles.** A careless action can cause severe injury within a fraction of a second.
9. **Always wear protective goggles to protect your eyes from injury when using power tools. The goggles must comply with ANSI Z87.1 in the USA, EN 166 in Europe, or AS/NZS 1336 in Australia/New Zealand. In Australia/New Zealand, it is legally required to wear a face shield to protect your face, too.**



It is an employer's responsibility to enforce the use of appropriate safety protective equipments by the tool operators and by other persons in the immediate working area.

## Power tool use and care

1. **Do not force the power tool. Use the correct power tool for your application.** The correct power tool will do the job better and safer at the rate for which it was designed.
2. **Do not use the power tool if the switch does not turn it on and off.** Any power tool that cannot be controlled with the switch is dangerous and must be repaired.
3. **Disconnect the plug from the power source and/or remove the battery pack, if detachable, from the power tool before making any adjustments, changing accessories, or storing power tools.** Such preventive safety measures reduce the risk of starting the power tool accidentally.
4. **Store idle power tools out of the reach of children and do not allow persons unfamiliar with the power tool or these instructions to operate the power tool.** Power tools are dangerous in the hands of untrained users.
5. **Maintain power tools and accessories. Check for misalignment or binding of moving parts, breakage of parts and any other condition that may affect the power tool's operation. If damaged, have the power tool repaired before use.** Many accidents are caused by poorly maintained power tools.
6. **Keep cutting tools sharp and clean.** Properly maintained cutting tools with sharp cutting edges are less likely to bind and are easier to control.

## Cordless Chain saw safety warnings

7. **Use the power tool, accessories and tool bits etc. in accordance with these instructions, taking into account the working conditions and the work to be performed.** Use of the power tool for operations different from those intended could result in a hazardous situation.
8. **Keep handles and grasping surfaces dry, clean and free from oil and grease.** Slippery handles and grasping surfaces do not allow for safe handling and control of the tool in unexpected situations.
9. **When using the tool, do not wear cloth work gloves which may be entangled.** The entanglement of cloth work gloves in the moving parts may result in personal injury.

### Battery tool use and care

1. **Recharge only with the charger specified by the manufacturer.** A charger that is suitable for one type of battery pack may create a risk of fire when used with another battery pack.
2. **Use power tools only with specifically designated battery packs.** Use of any other battery packs may create a risk of injury and fire.
3. **When battery pack is not in use, keep it away from other metal objects, like paper clips, coins, keys, nails, screws or other small metal objects, that can make a connection from one terminal to another.** Shorting the battery terminals together may cause burns or a fire.
4. **Under abusive conditions, liquid may be ejected from the battery; avoid contact. If contact accidentally occurs, flush with water. If liquid contacts eyes, additionally seek medical help.** Liquid ejected from the battery may cause irritation or burns.
5. **Do not use a battery pack or tool that is damaged or modified.** Damaged or modified batteries may exhibit unpredictable behaviour resulting in fire, explosion or risk of injury.
6. **Do not expose a battery pack or tool to fire or excessive temperature.** Exposure to fire or temperature above 130 °C may cause explosion.
7. **Follow all charging instructions and do not charge the battery pack or tool outside the temperature range specified in the instructions.** Charging improperly or at temperatures outside the specified range may damage the battery and increase the risk of fire.

### Service

1. **Have your power tool serviced by a qualified repair person using only identical replacement parts.** This will ensure that the safety of the power tool is maintained.
2. **Never service damaged battery packs.** Service of battery packs should only be performed by the manufacturer or authorized service providers.
3. **Follow instruction for lubricating and changing accessories.**

1. **Keep all parts of the body away from the saw chain when the chain saw is operating. Before you start the chain saw, make sure the saw chain is not contacting anything.** A moment of inattention while operating chain saws may cause entanglement of your clothing or body with the saw chain.
2. **Always hold the chain saw with your right hand on the top handle and your left hand on the front handle.** Holding the chain saw with a reversed hand configuration increases the risk of personal injury and should never be done.
3. **Hold the power tool by insulated gripping surfaces only, because the saw chain may contact hidden wiring.** Saw chains contacting a "live" wire may make exposed metal parts of the power tool "live" and could give the operator an electric shock.
4. **Wear safety glasses and hearing protection.** Further protective equipment for head, hands, legs and feet is recommended. Adequate protective clothing will reduce personal injury by flying debris or accidental contact with the saw chain.
5. **Always keep proper footing.**
6. **When cutting a limb that is under tension be alert for spring back.** When the tension in the wood fibres is released the spring loaded limb may strike the operator and/or throw the chain saw out of control.
7. **Use extreme caution when cutting brush and saplings.** The slender material may catch the saw chain and be whipped toward you or pull you off balance.
8. **Carry the chain saw by the front handle with the chain saw switched off and away from your body. When transporting or storing the chain saw always fit the guide bar cover.** Proper handling of the chain saw will reduce the likelihood of accidental contact with the moving saw chain.
9. **Follow instructions for lubricating, chain tensioning and changing accessories.** Improperly tensioned or lubricated chain may either break or increase the chance for kickback.
10. **Keep handles dry, clean, and free from oil and grease.** Greasy, oily handles are slippery causing loss of control.
11. **Cut wood only. Do not use chain saw for purposes not intended.** For example: do not use chain saw for cutting plastic, masonry or non-wood building materials. Use of the chain saw for operations different than intended could result in a hazardous situation.

12. **Causes and operator prevention of kickback:** Kickback may occur when the nose or tip of the guide bar touches an object, or when the wood closes in and pinches the saw chain in the cut. Tip contact in some cases may cause a sudden reverse reaction, kicking the guide bar up and back towards the operator. Pinching the saw chain along the top of the guide bar may push the guide bar rapidly back towards the operator. Either of these reactions may cause you to lose control of the saw which could result in serious personal injury. Do not rely exclusively upon the safety devices built into your saw. As a chain saw user, you should take several steps to keep your cutting jobs free from accident or injury. Kickback is the result of tool misuse and/or incorrect operating procedures or conditions and can be avoided by taking proper precautions as given below:
- Maintain a firm grip, with thumbs and fingers encircling the chain saw handles, with both hands on the saw and position your body and arm to allow you to resist kickback forces. Kickback forces can be controlled by the operator, if proper precautions are taken. Do not let go of the chain saw.

► **Fig.1**

- Do not overreach and do not cut above shoulder height. This helps prevent unintended tip contact and enables better control of the chain saw in unexpected situations.
  - Only use replacement bars and chains specified by the manufacturer. Incorrect replacement bars and chains may cause chain breakage and/or kickback.
  - Follow the manufacturer's sharpening and maintenance instructions for the saw chain. Decreasing the depth gauge height can lead to increased kickback.
13. **Before starting work, check that the chain saw is in proper working order and that its condition complies with the safety regulations. Check in particular that:**
- The chain brake is working properly;
  - The run-down brake is working properly;
  - The bar and the sprocket cover are fitted correctly;
  - The chain has been sharpened and tensioned in accordance with the regulations.
14. **Do not start the chain saw with the chain cover being installed on it.** Starting the chain saw with the chain cover being installed on it may cause the chain cover to be thrown out forward resulting in personal injury and damage to objects around the operator.

**Additional Safety Warnings:**

1. **When using the tool with battery adapter, be careful not to trip over the cord during operation.**
2. **When using the tool with battery adapter, keep the cord away from obstacles such as a work-piece and branches during operation.** The cord caught by obstacles may cause serious injury.

## Top handle chainsaw specific safety warnings

1. **This chain saw is designed especially for tree care and surgery. The chain saw is intended to be used by properly trained persons only. Observe all instructions, procedures and recommendations from the relevant professional organization. Otherwise fatal accidents may occur. It is recommend that always using a rising platform (cherry picker, lift) for sawing in trees. Rappelling techniques are extremely dangerous and require special training. The operators must be trained to become familiar with safety equipment usage and climbing techniques. Always use the appropriate belts, ropes and carabiners when working in trees. Always use restraining equipment for both the operator and the saw.**
2. **Perform cleaning and maintenance before storage in accordance with the instruction manual.**
3. **Ensure safe positioning of the chain saw during car transportation to avoid fuel or chain oil leakage, damage to the tool and personal injury.**
4. **Regularly check the functionality of chain brake.**
5. **Do not fill the chain oil near fire. Never smoke when you fill the chain oil.**
6. **National regulation may restrict the use of the chain saw.**
7. **If the equipment gets heavy impact or fall, check the condition before continuing work. Check the controls and safety devices for mal-function. If there is any damage or doubt, ask our authorized service center for the inspection and repair.**
8. **Always activate the chain brake before starting the chain saw.**
9. **Hold the saw firmly in place to avoid skating (skid movement) or bouncing of the saw when starting a cut.**
10. **At the end of the cut, be careful to keep your balance due to the "drop".**
11. **Take into account the direction and speed of the wind. Avoid sawdust and chain oil mist.**

### Protective equipment

1. **In order to avoid head, eye, hand or foot injuries as well as to protect your hearing the following protective equipment must be used during operation of the chain saw:**
  - The kind of clothing should be appropriate, i. e. it should be tight-fitting but not be a hindrance. Do not wear jewelry or clothing which could become entangled with bushes or shrubs. If you have long hair, always wear a hairnet!
  - It is necessary to wear a protective helmet whenever working with the chain saw. The **protective helmet** is to be checked in regular intervals for damage and is to be replaced after 5 years at the latest. Use only approved protective helmets.



- The **face shield** of the protective helmet (or the goggles) protects against sawdust and wood chips. During operation of the chain saw always wear a goggle or a face shield to prevent eye injuries.
- Wear adequate **noise protection equipment** (ear muffs, ear plugs, etc.)
- The **protective jacket** consists of 22 layers of nylon and protects the operator against cuts. It is always to be worn when working from elevated platforms (cherry pickers, lifts), from platforms mounted on ladders or when climbing with ropes.
- The **protective brace and bib overall** is made of a nylon fabric with 22 layers and protects against cuts. We strongly recommend its use.
- **Protective gloves** made of thick leather are part of the prescribed equipment and must always be worn during operation of the chain saw.
- During operation of the chain saw **safety shoes** or **safety boots** fitted with anti skid sole, steel toe caps and protection for the leg must always be worn. Safety shoes equipped with a protective layer provide protection against cuts and ensure a secure footing. For working in trees the safety boots must be suitable for climbing techniques.

#### Vibration

1. Individuals with poor circulation who are exposed to excessive vibration may experience injury to blood vessels or the nervous system. Vibration may cause the following symptoms to occur in the fingers, hands or wrists: "Falling asleep" (numbness), tingling, pain, stabbing sensation, alteration of skin colour or of the skin. **If any of these symptoms occur, see a physician!** To reduce the risk of "white finger disease", keep your hands warm during operation and well maintain the equipment and accessories.

## SAVE THESE INSTRUCTIONS.

**⚠ WARNING:** DO NOT let comfort or familiarity with product (gained from repeated use) replace strict adherence to safety rules for the subject product. MISUSE or failure to follow the safety rules stated in this instruction manual may cause serious personal injury.

### Important safety instructions for battery cartridge

1. **Before using battery cartridge, read all instructions and cautionary markings on (1) battery charger, (2) battery, and (3) product using battery.**
2. **Do not disassemble battery cartridge.**
3. **If operating time has become excessively shorter, stop operating immediately. It may result in a risk of overheating, possible burns and even an explosion.**

4. **If electrolyte gets into your eyes, rinse them out with clear water and seek medical attention right away. It may result in loss of your eyesight.**
5. **Do not short the battery cartridge:**
  - (1) **Do not touch the terminals with any conductive material.**
  - (2) **Avoid storing battery cartridge in a container with other metal objects such as nails, coins, etc.**
  - (3) **Do not expose battery cartridge to water or rain.**
6. **Do not store the tool and battery cartridge in locations where the temperature may reach or exceed 50 °C (122 °F).**
7. **Do not incinerate the battery cartridge even if it is severely damaged or is completely worn out. The battery cartridge can explode in a fire.**
8. **Be careful not to drop or strike battery.**
9. **Do not use a damaged battery.**
10. **The contained lithium-ion batteries are subject to the Dangerous Goods Legislation requirements.**

For commercial transports e.g. by third parties, forwarding agents, special requirement on packaging and labeling must be observed. For preparation of the item being shipped, consulting an expert for hazardous material is required. Please also observe possibly more detailed national regulations. Tape or mask off open contacts and pack up the battery in such a manner that it cannot move around in the packaging.

11. **When disposing the battery cartridge, remove it from the tool and dispose of it in a safe place. Follow your local regulations relating to disposal of battery.**
12. **Use the batteries only with the products specified by Makita.** Installing the batteries to non-compliant products may result in a fire, excessive heat, explosion, or leak of electrolyte.
13. **If the tool is not used for a long period of time, the battery must be removed from the tool.**

## SAVE THESE INSTRUCTIONS.

**⚠ CAUTION:** Only use genuine Makita batteries. Use of non-genuine Makita batteries, or batteries that have been altered, may result in the battery bursting causing fires, personal injury and damage. It will also void the Makita warranty for the Makita tool and charger.

## Tips for maintaining maximum battery life

1. **Charge the battery cartridge before completely discharged. Always stop tool operation and charge the battery cartridge when you notice less tool power.**

2. Never recharge a fully charged battery cartridge. Overcharging shortens the battery service life.
3. Charge the battery cartridge with room temperature at 10 °C - 40 °C (50 °F - 104 °F). Let a hot battery cartridge cool down before charging it.
4. Charge the battery cartridge if you do not use it for a long period (more than six months).

## PARTS DESCRIPTION

► Fig.2

1	Battery indicator	2	Check button	3	Switch trigger
4	Top handle	5	Lock-off lever	6	Front hand guard
7	Guide bar	8	Saw chain	9	Chain catcher
10	Retaining nut	11	Chain adjusting screw	12	Battery cartridge
13	Main power lamp	14	Mode indicator	15	Main power switch
16	Cap	17	Adjusting screw (for oil pump)	18	Carabiner
19	Front handle	20	Oil tank cap	21	Spike bumper
22	Guide bar cover	-	-	-	-

## FUNCTIONAL DESCRIPTION

**CAUTION:** Always be sure that the tool is switched off and the battery cartridge is removed before adjusting or checking function on the tool.

### Installing or removing battery cartridge

**CAUTION:** Always switch off the tool before installing or removing of the battery cartridge.

**CAUTION:** Hold the tool and the battery cartridge firmly when installing or removing battery cartridge. Failure to hold the tool and the battery cartridge firmly may cause them to slip off your hands and result in damage to the tool and battery cartridge and a personal injury.

► Fig.3: 1. Red indicator 2. Button 3. Battery cartridge

To remove the battery cartridge, slide it from the tool while sliding the button on the front of the cartridge.

To install the battery cartridge, align the tongue on the battery cartridge with the groove in the housing and slip it into place. Insert it all the way until it locks in place with a little click. If you can see the red indicator on the upper side of the button, it is not locked completely.





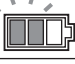


**CAUTION:** Always install the battery cartridge fully until the red indicator cannot be seen. If not, it may accidentally fall out of the tool, causing injury to you or someone around you.

**CAUTION:** Do not install the battery cartridge forcibly. If the cartridge does not slide in easily, it is not being inserted correctly.

### Indicating the remaining battery capacity

► Fig.4: 1. Battery indicator 2. Check button

Press the check button to indicate the remaining battery capacities. The battery indicators correspond to each battery.

Battery indicator status			Remaining battery capacity
 On	 Off	 Blinking	
			50% to 100%
			20% to 50%
			0% to 20%
			Charge the battery

### Indicating the remaining battery capacity

*Only for battery cartridges with the indicator*

► Fig.5: 1. Indicator lamps 2. Check button

Press the check button on the battery cartridge to indicate the remaining battery capacity. The indicator lamps light up for a few seconds.

Indicator lamps			Remaining capacity
Lighted	Off	Blinking	
■	□	▧	75% to 100%
■ ■ ■ ■			
■ ■ ■ □			50% to 75%
■ ■ □ □			25% to 50%
■ □ □ □			0% to 25%
▧ □ □ □			Charge the battery.
■ ■ □ □			The battery may have malfunctioned.
□ □ ■ ■	↑ ↓		

**NOTE:** Depending on the conditions of use and the ambient temperature, the indication may differ slightly from the actual capacity.

## Tool / battery protection system

The tool is equipped with a tool/battery protection system. This system automatically cuts off power to the motor to extend tool and battery life. The tool will automatically stop during operation if the tool or battery is placed under one of the following conditions:

### Overload protection

When the battery is operated in a manner that causes it to draw an abnormally high current, the tool automatically stops and the main power lamp blinks in green. In this situation, turn the tool off and stop the application that caused the tool to become overloaded. Then turn the tool on to restart.

### Overheat protection

When the tool or battery is overheated, the tool stops automatically and the main power lamp lights up in red. In this case, let the tool and battery cool before turning the tool on again.

**NOTE:** In high temperature environment, the over-heat protection likely to work and the tool stops automatically.

### Overdischarge protection

When the battery capacity is not enough, the tool stops automatically and the main power lamp blinks in red. In this case, remove the battery from the tool and charge the battery.

## Main power switch

**⚠ WARNING:** Always turn off the main power switch when not in use.

To turn on the tool, press the main power switch until the main power lamp lights up in green. To turn off, press the main power switch again.

► **Fig.6:** 1. Main power lamp 2. Mode indicator 3. Main power switch

**NOTE:** The main power lamp blinks in green if the switch trigger is pulled under unoperable conditions. The lamp blinks in one of the following conditions.

- When you turn on the main power switch while holding down the lock-off lever and the switch trigger.
- When you pull the switch trigger while the chain brake is applied.
- When you release the chain brake while holding down the lock-off lever and pulling the switch trigger.

**NOTE:** This tool employs the auto power-off function. To avoid unintentional start up, the main power switch will automatically shut down when the switch trigger is not pulled for a certain period after the main power switch is turned on.

You can use the tool in the Torque Boost mode for cutting thick branches or hard branches. To use the tool in the Torque Boost mode, when the tool is turned off, press the main power switch for a few seconds until the mode indicator lights up in green.

**NOTE:** You can use the tool in the Torque Boost mode up to 60 seconds. Depending on the usage conditions, this mode shifts to the normal mode in less than 60 seconds.

**NOTE:** If the mode indicator blinks in green when you press the main power switch for a few seconds, the Torque Boost mode is not available. In this case, follow the steps below.

- The Torque Boost mode is not available right after the cutting operation. Wait for more than 10 seconds, and then press the main power switch for a few seconds again.
- If you use the Torque Boost mode several times, the use of the Torque Boost mode is restricted to protect the battery. If the Torque Boost mode is not available after waiting for more than 10 seconds, replace the battery cartridge with a fully charged one, or recharge the battery cartridge.

**NOTE:** If the main power lamp lights up in red or blinks in red or green, refer to the instructions for tool/battery protection system.

## Switch action

**⚠ WARNING:** For your safety, this tool is equipped with lock-off lever which prevents the tool from unintended starting. **NEVER** use the tool if it runs when you simply pull the switch trigger without pressing the lock-off lever. Return the tool to our authorized service center for proper repairs **BEFORE** further usage.

**⚠ WARNING:** **NEVER** tape down or defeat purpose and function of lock-off lever.

**⚠ CAUTION:** Before installing the battery cartridge into the tool, always check to see that the switch trigger actuates properly and returns to the "OFF" position when released.

**NOTICE:** Do not pull the switch trigger hard without pressing the lock-off lever. This can cause switch breakage.

To prevent the switch trigger from being accidentally pulled, a lock-off lever is provided. To start the tool, depress the lock-off lever and pull the switch trigger. The tool speed increases by increasing pressure on the switch trigger. Release the switch trigger to stop.

► Fig.7: 1. Switch trigger 2. Lock-off lever

## Checking the chain brake

**⚠ CAUTION:** Hold the chain saw with both hands when switching it on. Hold the top handle with your right hand, the front handle with your left. The bar and the chain must not be in contact with any object.

**⚠ CAUTION:** Should the saw chain not stop immediately when this test is performed, the saw may not be used under any circumstances. Consult our authorized service center.

1. Press the lock-off lever, then pull the switch trigger. The saw chain starts immediately.
2. Push the front hand guard forwards with the back of your hand. Make sure that the chain saw comes to an immediate standstill.

► Fig.8: 1. Front hand guard 2. Unlocked position  
3. Locked position

## Checking the run-down brake

**⚠ CAUTION:** If the saw chain does not stop within two seconds in this test, stop using the chain saw and consult our authorized service center.

Run the chain saw then release the switch trigger completely. The saw chain must come to a standstill within two seconds.

## Adjusting the chain lubrication

You can adjust the oil pump feed rate with the adjusting screw using the universal wrench. The amount of oil can be adjusted in 3 steps. Open the cap to adjust the adjusting screw.

► Fig.9: 1. Cap 2. Adjusting screw

## Carabiner (rope attachment point)

You can hang the tool by attaching the rope to the carabiner. Pull up the carabiner, and then tie it with the rope.

► Fig.10: 1. Carabiner

## Electronic function

The tool is equipped with the electronic functions for easy operation.

- Constant speed control  
The speed control function provides the constant rotation speed regardless of load conditions.

## ASSEMBLY

**⚠ CAUTION:** Always be sure that the tool is switched off and the battery cartridge is removed before carrying out any work on the tool.

**⚠ CAUTION:** Do not touch the saw chain with bare hands. Always wear gloves when handling the saw chain.

## Removing or installing saw chain

**⚠ CAUTION:** The saw chain and the guide bar are still hot just after the operation. Let them cool down enough before carrying out any work on the tool.

**⚠ CAUTION:** Carry out the procedure of installing or removing saw chain in a clean place free from sawdust and the like.

To remove the saw chain, perform the following steps:

1. Release the chain brake by pulling the front hand guard.
2. Loosen the chain adjusting screw, then the retaining nut.

► Fig.11: 1. Chain adjusting screw 2. Retaining nut

3. Remove the sprocket cover then remove the saw chain and guide bar from the chain saw body.

To install the saw chain, perform the following steps:

1. Check the direction of the saw chain. Match the direction of the saw chain with that of the mark on the chain saw body.
2. Fit one end of the saw chain on the top of the guide bar.

3. Fit the other end of the saw chain around the sprocket, then attach the guide bar to the chain saw body, aligning the hole on the guide bar with the pin on the chain saw body.

► **Fig.12:** 1. Sprocket 2. Hole

4. Insert the protrusion and the pin on the sprocket cover to the chain saw body, and then close the cover so that the bolt and pin on the chain saw body meet their counterparts on the cover.

► **Fig.13:** 1. Protrusion 2. Sprocket cover 3. Bolt 4. Pin

5. Tighten the retaining nut to secure the sprocket cover, then loosen it a bit for tension adjustment.

► **Fig.14:** 1. Retaining nut

## Adjusting saw chain tension

**⚠ CAUTION:** Do not tighten the saw chain too much. Excessively high tension of saw chain may cause breakage of saw chain and wear of the guide bar.

**⚠ CAUTION:** A chain which is too loose can jump off the bar and it may cause an injury accident.

The saw chain may become loose after many hours of use. From time to time check the saw chain tension before use.

1. Release the chain brake by pulling the front hand guard.

2. Loosen the retaining nut a bit to loosen the sprocket cover lightly.

► **Fig.15:** 1. Retaining nut

3. Lift up the guide bar tip slightly and adjust the chain tension. Turn the chain adjusting screw clockwise to tighten, turn it counterclockwise to loosen.

**For chain blade 90PX and 91PX:**

Tighten the saw chain until the lower side of the saw chain fits in the guide bar rail as illustrated.

► **Fig.16:** 1. Guide bar 2. Saw chain 3. Chain adjusting screw

**For chain blade 25AP:**

Tighten the saw chain so that the gap between the center of the lower side of the guide bar and the saw chain becomes approximately 1 mm to 2 mm.

4. Keep holding the guide bar lightly and tighten the sprocket cover.

**For chain blade 90PX and 91PX:**

Make sure that the saw chain does not loose at the lower side.

**For chain blade 25AP:**

Make sure that the gap between the center of the lower side of the guide bar and the saw chain is approximately 1 mm to 2 mm.

5. Tighten the retaining nut to secure the sprocket cover.

► **Fig.17:** 1. Retaining nut

# OPERATION

## Lubrication

Saw chain is automatically lubricated when the tool is in operation. Check the amount of remaining oil in the oil tank periodically through the oil inspection window. To refill the tank, lay the chain saw on its side, then push the oil tank cap, and then remove the oil tank cap. The proper amount of oil is 200 ml. After refilling the tank, make sure that the oil tank cap is tightened securely.

► **Fig.18:** 1. Oil tank cap 2. Oil inspection window

After refilling, hold the chain saw away from the tree. Start it and wait until lubrication on saw chain is adequate.

► **Fig.19**

**NOTICE:** When filling the chain oil for the first time, or refilling the tank after it has been completely emptied, add oil up to the bottom edge of the filler neck. The oil delivery may otherwise be impaired.

**NOTICE:** Use the saw chain oil exclusively for Makita chain saws or equivalent oil available in the market.

**NOTICE:** Never use oil including dust and particles or volatile oil.

**NOTICE:** When pruning trees, use botanical oil. Mineral oil may harm trees.

**NOTICE:** Before the cutting operation, make sure that the provided oil tank cap is screwed in place.

## WORKING WITH THE CHAIN SAW

**⚠ CAUTION:** The first time user should, as a minimum practice, do cutting logs on a saw-horse or cradle.

**⚠ CAUTION:** When sawing precut timber, use a safe support (saw horse or cradle). Do not steady the workpiece with your foot, and do not allow anyone else to hold or steady it.

**⚠ CAUTION:** Secure round pieces against rotation.

**⚠ CAUTION:** Keep all parts of the body away from the saw chain when the motor is operating.

**⚠ CAUTION:** Hold the chain saw firmly with both hands when the motor is running.

**⚠ CAUTION:** Do not overreach. Keep proper footing and balance at all times.

**NOTICE:** Never toss or drop the tool.

**NOTICE:** Do not cover the vents of the tool.

## Pruning trees

Bring the chain saw body into contact with the branch to be cut before switching on. Otherwise it may cause the guide bar to wobble, resulting in injury to operator. Saw the wood to be cut by just moving it down by using the weight of the chain saw.

► Fig.20

If you cannot cut the timber right through with a single stroke:  
Apply light pressure to the handle and continue sawing and draw the chain saw back a little.

► Fig.21

When cutting thick branches, first make a shallow undercut and then make the finish cut from the top.

► Fig.22

If you try to cut off thick branches from the bottom, the branch may close in and pinch the saw chain in the cut. If you try to cut off thick branches from the top without a shallow undercut, the branch may splinter.

► Fig.23

## Bucking

1. Rest the chain saw body on the wood to be cut.  
► Fig.24
2. With the saw chain running, saw into the wood while using the top handle to raise the saw and the front one to guide it.
3. Continue the cut by applying slight pressure to the top handle, easing the saw back slightly.

**NOTICE:** When making several cuts, switch the chain saw off between cuts.

**CAUTION:** If the upper edge of the bar is used for cutting, the chain saw may be deflected in your direction if the chain becomes trapped. For this reason, cut with the lower edge, so that the saw will be deflected away from your body.

► Fig.25

When you cut a wood under tension, cut the pressured side (A) first. Then make the final cut from the tensioned side (B). This prevents the bar from becoming trapped.

► Fig.26

## Limbing

**CAUTION:** Limbing may only be performed by trained persons. A hazard is presented by the risk of kickback.

When limbing, support the chain saw on the trunk if possible. Do not cut with the tip of the bar, as this presents a risk of kickback.

Pay particular attention to branches under tension. Do not cut unsupported branches from below.  
Do not stand on the felled trunk when limbing.

## Carrying tool

Before carrying the tool, always apply the chain brake and remove the battery cartridges from the tool. Then attach the guide bar cover. Also cover the battery cartridge with the battery cover.

► Fig.27: 1. Guide bar cover 2. Battery cover

## MAINTENANCE

**CAUTION:** Always be sure that the tool is switched off and the battery cartridge is removed before attempting to perform inspection or maintenance.

**CAUTION:** Always wear gloves when performing any inspection or maintenance.

**NOTICE:** Never use gasoline, benzine, thinner, alcohol or the like. Discoloration, deformation or cracks may result.

To maintain product SAFETY and RELIABILITY, repairs, any other maintenance or adjustment should be performed by Makita Authorized or Factory Service Centers, always using Makita replacement parts.

## Sharpening the saw chain

Sharpen the saw chain when:

- Mealy sawdust is produced when damp wood is cut;
- The chain penetrates the wood with difficulty, even when heavy pressure is applied;
- The cutting edge is obviously damaged;
- The saw pulls to the left or right in the wood. (caused by uneven sharpening of the saw chain or damage to one side only)

Sharpen the saw chain frequently but a little each time. Two or three strokes with a file are usually sufficient for routine resharpening. When the saw chain has been resharpened several times, have it sharpened in our authorized service center.

Sharpening criteria:

**WARNING:** An excessive distance between the cutting edge and depth gauge increases the risk of kickback.

► Fig.28: 1. Cutter length 2. Distance between cutting edge and depth gauge 3. Minimum cutter length (3 mm)

- All cutter length must be equal. Different cutter lengths prevent the saw chain from running smoothly and may cause the saw chain to break.
- Do not sharpen the chain when the cutter length has reached 3 mm or shorter. The chain must be replaced with new one.
- The chip thickness is determined by the distance between the depth gauge (round nose) and the cutting edge.

- The best cutting results are obtained with following distance between cutting edge and depth gauge.
  - Chain blade 90PX : 0.65 mm
  - Chain blade 91PX : 0.65 mm
  - Chain blade 25AP : 0.65 mm

► **Fig.29**

- The sharpening angle of 30° must be the same on all cutters. Different cutter angles cause the chain to run roughly and unevenly, accelerate wear, and lead to chain breaks.
- Use a suitable round file so that the proper sharpening angle is kept against the teeth.
  - Chain blade 90PX : 55°
  - Chain blade 91PX : 55°
  - Chain blade 25AP : 55°

**File and file guiding**

- Use a special round file (optional accessory) for saw chains to sharpen the chain. Normal round files are not suitable.
- Diameter of the round file for each saw chain is as follows:
  - Chain blade 90PX : 4.5 mm
  - Chain blade 91PX : 4.0 mm
  - Chain blade 25AP : 4.0 mm
- The file should only engage the cutter on the forward stroke. Lift the file off the cutter on the return stroke.
- Sharpen the shortest cutter first. Then the length of this shortest cutter becomes the standard for all other cutters on the saw chain.
- Guide the file as shown in the figure.

► **Fig.30:** 1. File 2. Saw chain

- The file can be guided more easily if a file holder (optional accessory) is employed. The file holder has markings for the correct sharpening angle of 30° (align the markings parallel to the saw chain) and limits the depth of penetration (to 4/5 of the file diameter).

► **Fig.31:** 1. File holder

- After sharpening the chain, check the height of the depth gauge using the chain gauge tool (optional accessory).

► **Fig.32**

- Remove any projecting material, however small, with a special flat file (optional accessory).
- Round off the front of the depth gauge again.

## Cleaning the guide bar

Chips and sawdust will build up in the guide bar groove. They may clog the bar groove and impair the oil flow. Clean out the chips and sawdust every time when you sharpen or replace the saw chain.

► **Fig.33**

## Cleaning the sprocket cover

Chips and saw dust will accumulate inside of the sprocket cover. Remove the sprocket cover and saw chain from the tool then clean the chips and saw dust.

► **Fig.34**

## Cleaning the oil discharge hole

Small dust or particles may be built up in the oil discharge hole during operation. These dust or particles may impair the oil to flow and cause an insufficient lubrication on the whole saw chain. When a poor chain oil delivery occurs at the top of guide bar, clean the oil discharge hole as follows.

1. Remove the sprocket cover and saw chain from the tool.
2. Remove the small dust or particles using a slotted screwdriver or the like.

► **Fig.35:** 1. Slotted screwdriver 2. Oil discharge hole

3. Insert the battery cartridge into the tool. Pull the switch trigger to flow built-up dust or particles off the oil discharge hole by discharging chain oil.

4. Remove the battery cartridge from the tool. Reinstall the sprocket cover and saw chain on the tool.

## Replacing the sprocket

**CAUTION:** A worn sprocket will damage a new saw chain. Have the sprocket replaced in this case.

Before fitting a new saw chain, check the condition of the sprocket.

► **Fig.36:** 1. Sprocket 2. Areas to be worn out

Always fit a new locking ring when replacing the sprocket.

► **Fig.37:** 1. Locking ring 2. Sprocket

**NOTICE:** Make sure that the sprocket is installed as shown in the figure.

## Storing the tool

1. Clean the tool before storing. Remove any chips and sawdust from the tool after removing the sprocket cover.
2. After cleaning the tool, run it under no load to lubricate the saw chain and guide bar.
3. Cover the guide bar with the guide bar cover.
4. Empty the oil tank.



## Instructions for periodic maintenance

To ensure long life, prevent damage and ensure the full functioning of the safety features, the following maintenance must be performed regularly. Warranty claims can be recognized only if this work is performed regularly and properly. Failure to perform the prescribed maintenance work can lead to accidents! The user of the chain saw must not perform maintenance work which is not described in the instruction manual. All such work must be carried out by our authorized service center.

Check item / Operating time		Before operation	Everyday	Every week	Every 3 month	Annually	Before storage
Chain saw	Inspection.	✓	-	-	-	-	-
	Cleaning.	-	✓	-	-	-	-
	Check at authorized service center.	-	-	-	-	✓	✓
Saw chain	Inspection.	✓	-	-	-	-	-
	Sharpening if necessary.	-	-	-	-	-	✓
Guide bar	Inspection.	✓	✓	-	-	-	-
	Remove from the chain saw.	-	-	-	-	-	✓
Chain brake	Check the function.	✓	-	-	-	-	-
	Have it inspected regularly at authorized service center.	-	-	-	✓	-	-
Chain lubrication	Check the oil feed rate.	✓	-	-	-	-	-
Switch trigger	Inspection.	✓	-	-	-	-	-
Lock-off lever	Inspection.	✓	-	-	-	-	-
Oil tank cap	Check tightness.	✓	-	-	-	-	-
Chain catcher	Inspection.	-	-	✓	-	-	-
Screws and nuts	Inspection.	-	-	✓	-	-	-



# TROUBLESHOOTING

Before asking for repairs, conduct your own inspection first. If you find a problem that is not explained in the manual, do not attempt to dismantle the tool. Instead, ask Makita Authorized Service Centers, always using Makita replacement parts for repairs.

Malfunction status	Cause	Action
The chain saw does not start.	Battery cartridge is not installed.	Install a charged battery cartridge.
	Battery problem (low voltage).	Recharge the battery cartridges. If recharging is not effective, replace the battery cartridge.
	Main power switch is off.	The chain saw is automatically turned off if it is un-operated for a certain period. Turn on the main power switch again.
The saw chain does not run.	Chain brake activated.	Release chain brake.
The motor stops running after a little use.	Battery's charge level is low.	Recharge the battery cartridges. If recharging is not effective, replace the battery cartridge.
No oil on the chain.	Oil tank is empty.	Fill the oil tank.
	Oil guide groove is dirty.	Clean the groove.
	Poor oil delivery.	Adjust the amount of oil delivery with the adjusting screw.
The chain saw does not reach maximum RPM.	Battery cartridge is installed improperly.	Install the battery cartridges as described in this manual.
	Battery power is dropping.	Recharge the battery cartridge. If recharging is not effective, replace the battery cartridge.
	The drive system does not work correctly.	Ask the authorized service center in your region for repair.
The main power lamp is blinking in green.	Switch trigger is pulled under an unoperable condition.	Pull the switch trigger after the main power switch is turned on and the chain brake is released.
Chain does not stop even the chain brake is activated: <b>Stop the machine immediately!</b>	The brake band is worn down.	Ask the authorized service center in your region for repair.
Abnormal vibration: <b>Stop the machine immediately!</b>	Loose guide bar or saw chain.	Adjust the guide bar and saw chain tension.
	Tool malfunction.	Ask the authorized service center in your region for repair.
The Torque Boost mode is not available after replacing the battery cartridge with a fully charged one.	Depending on the usage conditions, the Torque Boost mode is not available after replacing the battery cartridge.	Use the tool in the normal mode until the installed battery cartridge becomes empty, and then replace the battery cartridge with a fully charged one, or recharge the battery cartridge.
The saw chain cannot be installed.	The combination of saw chain and sprocket is not correct.	Use the correct combination of saw chain and sprocket by referring to the section for specifications.

# OPTIONAL ACCESSORIES

**⚠ CAUTION:** These accessories or attachments are recommended for use with your Makita tool specified in this manual. The use of any other accessories or attachments might present a risk of injury to persons. Only use accessory or attachment for its stated purpose.

If you need any assistance for more details regarding these accessories, ask your local Makita Service Center.

- Saw chain
- Guide bar
- Guide bar cover
- Sprocket
- File
- Makita genuine battery and charger

**⚠ WARNING:** If you purchase a guide bar of different length from the standard guide bar, also purchase a suitable guide bar cover together. It must fit and fully cover the guide bar on the chain saw.

**NOTE:** Some items in the list may be included in the tool package as standard accessories. They may differ from country to country.

## SPESIFIKASI

Model:	DUC256	DUC306	DUC356	DUC406	DUC256C
Panjang keseluruhan (tanpa bilah pemandu)	270 mm				
Tegangan terukur	D.C. 36 V				
Berat bersih	4,6 - 4,8 kg	4,7 - 4,9 kg	4,8 - 5,0 kg	4,8 - 5,1 kg	4,6 - 4,7 kg
Panjang bilah pemandu standar	250 mm	300 mm	350 mm	400 mm	250 mm
Panjang bilah pemandu yang disarankan	dengan 90PX	250 - 400 mm			-
	dengan 91PX	250 - 400 mm			-
	dengan 25AP	-			250 mm
Tipe rantai gergaji yang dapat digunakan (lihat pada tabel di bawah)			90PX 91PX	25AP	
Sproket standar	Jumlah gerigi	6			9
	Pitch	3/8"			1/4"
Kecepatan rantai	0 - 20 m/s (0 - 1.200 m/min)				
Volume tangki minyak rantai	200 cm <sup>3</sup>				

- Karena kesinambungan program penelitian dan pengembangan kami, spesifikasi yang disebutkan di sini dapat berubah tanpa pemberitahuan.
- Spesifikasi dapat berbeda dari satu negara ke negara lainnya.
- Berat alat mungkin berbeda tergantung perangkat tambahan yang dipasang, termasuk kartrid baterai. Kombinasi alat terberat dan teringan, sesuai Prosedur EPTA 01/2014, ditunjukkan pada tabel.

### Kartrid baterai yang dapat digunakan

BL1830 / BL1830B / BL1840 / BL1840B / BL1850 / BL1850B / BL1860B

- Beberapa kartrid baterai yang tercantum di atas mungkin tidak tersedia, tergantung wilayah tempat tinggal Anda.

**⚠PERINGATAN:** Hanya gunakan kartrid baterai yang tercantum di atas. Penggunaan kartrid baterai lain dapat menimbulkan risiko cedera dan/atau kebakaran.

### Kombinasi rantai gergaji, bilah pemandu, dan sproket

Tipe rantai gergaji		90PX			
Jumlah sambungan obeng		40	46	52	56
Bilah pemandu	Panjang bilah pemandu	250 mm	300 mm	350 mm	400 mm
	Panjang pemotongan	238 mm	294 mm	350 mm	387 mm
	Pitch	3/8"			
	Pengukur	1,1 mm			
	Tipe	Bilah hidung sproket			
Sproket	Jumlah gerigi	6			
	Pitch	3/8"			

Tipe rantai gergaji		91PX			
Jumlah sambungan obeng		40	46	52	56
Bilah pemandu	Panjang bilah pemandu	250 mm	300 mm	350 mm	400 mm
	Panjang pemotongan	238 mm	294 mm	350 mm	387 mm
	Pitch	3/8"			
	Pengukur	1,3 mm			
	Tipe	Bilah hidung sproket			
Sproket	Jumlah gerigi	6			
	Pitch	3/8"			

Tipe rantai gergaji		25AP
Jumlah sambungan obeng		60
Bilah pemandu	Panjang bilah pemandu	250 mm
	Panjang pemotongan	253 mm
	Pitch	1/4"
	Pengukur	1,3 mm
	Tipe	Bilah lengkung
Sproket	Jumlah gerigi	9
	Pitch	1/4"

**⚠ PERINGATAN:** Gunakan kombinasi yang sesuai antara bilah pemandu dan rantai gergaji. Jika tidak cedera diri mungkin terjadi.

## Simbol

Berikut ini adalah simbol-simbol yang digunakan pada peralatan ini. Pastikan Anda mengerti makna masing-masing simbol sebelum menggunakan alat.



Baca petunjuk penggunaan.



Gunakan kaca mata pengaman.



Gunakan pelindung telinga.



Gunakan helm, kaca mata pelindung, dan pelindung telinga.



Gunakan pelindung kaki dan lengan-tangan yang sesuai.



Gergaji ini dimaksudkan untuk digunakan hanya oleh operator yang terlatih.



Jangan biarkan lembab.



Panjang pemotongan maksimum yang diizinkan



Selalu gunakan dua tangan ketika mengoperasikan gergaji mesin.



Berhati-hatilah dengan hentakan balik dari gergaji mesin dan hindari kontak dengan ujung bilah.



Arah pergerakan rantai



Penyetelan oli rantai gergaji



Ni-MH  
Li-ion

Hanya untuk negara-negara UE  
Jangan membuang peralatan listrik atau paket baterai bersama-sama dengan bahan limbah rumah tangga!  
Dengan memerhatikan Petunjuk Eropa, tentang Limbah Peralatan Listrik dan Elektronik serta Baterai dan Akumulator dan pelaksanaannya sesuai dengan ketentuan hukum nasional, peralatan listrik dan baterai dan paket baterai yang telah habis umur pakainya harus dikumpulkan secara terpisah dan dikembalikan ke fasilitas daur ulang yang kompatibel secara lingkungan.

## Penggunaan

Mesin ini digunakan untuk memotong ranting dan memangkas pohon. Mesin juga cocok untuk jasa pemotongan/pemangkasan pohon.

# PERINGATAN KESELAMATAN

## Peringatan keselamatan umum mesin listrik

**⚠️ PERINGATAN:** Bacalah semua peringatan keselamatan, petunjuk, ilustrasi dan spesifikasi yang disertakan bersama mesin listrik ini. Kelalaian untuk mematuhi semua petunjuk yang tercantum di bawah ini dapat menyebabkan sengatan listrik, kebakaran dan/atau cedera serius.

## Simpanlah semua peringatan dan petunjuk untuk acuan di masa depan.

Istilah "mesin listrik" dalam semua peringatan mengacu pada mesin listrik yang dijalankan dengan sumber listrik jala-jala (berkabel) atau baterai (tanpa kabel).

### Keselamatan tempat kerja

1. **Jaga tempat kerja selalu bersih dan berpenerangan cukup.** Tempat kerja yang berantakan dan gelap mengundang kecelakaan.
2. **Jangan gunakan mesin listrik dalam lingkungan yang mudah meledak, misalnya jika ada cairan, gas, atau debu yang mudah menyala.** Mesin listrik menimbulkan bunga api yang dapat menyalakan debu atau uap tersebut.
3. **Jauhkan anak-anak dan orang lain saat menggunakan mesin listrik.** Bila perhatian terpecah, anda dapat kehilangan kendali.

### Keamanan Kelistrikan

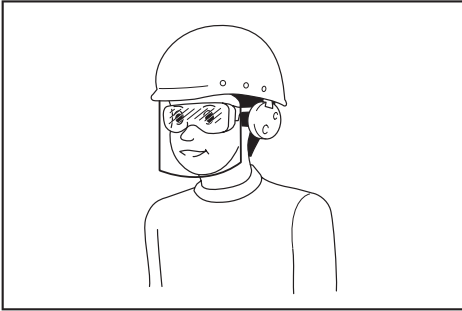
1. **Steker mesin listrik harus cocok dengan stopkontak. Jangan sekali-kali mengubah steker dengan cara apa pun. Jangan menggunakan steker adaptor dengan mesin listrik terbumi (dibumikan).** Steker yang tidak diubah dan stopkontak yang cocok akan mengurangi risiko sengatan listrik.
2. **Hindari sentuhan tubuh dengan permukaan terbumi atau yang dibumikan seperti pipa, radiator, kompor, dan kulkas.** Risiko sengatan listrik bertambah jika tubuh Anda terbumikan atau dibumikan.
3. **Jangan membiarkan mesin listrik kehujanan atau kebasahan.** Air yang masuk ke dalam mesin listrik akan meningkatkan risiko sengatan listrik.
4. **Jangan menyalahtgunakan kabel. Jangan sekali-kali menggunakan kabel untuk membawa, menarik, atau mencabut mesin listrik dari stopkontak. Jauhkan kabel dari panas, minyak, tepian tajam, atau bagian yang bergerak.** Kabel yang rusak atau kusut memperbesar risiko sengatan listrik.
5. **Bila menggunakan mesin listrik di luar ruangan, gunakan kabel ekstensi yang sesuai untuk penggunaan di luar ruangan.** Penggunaan kabel yang sesuai untuk penggunaan luar ruangan mengurangi risiko sengatan listrik.

6. **Jika mengoperasikan mesin listrik di lokasi lembap tidak terhindarkan, gunakan pasokan daya yang dilindungi peranti imbasan arus (residual current device - RCD).** Penggunaan RCD mengurangi risiko sengatan listrik.
7. **Mesin listrik dapat menghasilkan medan magnet (EMF) yang tidak berbahaya bagi pengguna.** Namun, pengguna alat pacu jantung atau peralatan medis sejenisnya harus berkonsultasi dengan produsen peralatan tersebut dan/atau dokter mereka sebelum mengoperasikan mesin listrik ini.

### Keselamatan Diri

1. **Jaga kewaspadaan, perhatikan pekerjaan Anda dan gunakan akal sehat bila menggunakan mesin listrik. Jangan menggunakan mesin listrik saat Anda lelah atau di bawah pengaruh obat bius, alkohol, atau obat.** Sekejap saja lalai saat menggunakan mesin listrik dapat menyebabkan cedera badan serius.
2. **Gunakan alat pelindung diri. Selalu gunakan pelindung mata.** Peralatan pelindung seperti masker debu, sepatu pengaman anti-selip, helm pengaman, atau pelindung telinga yang digunakan untuk kondisi yang sesuai akan mengurangi risiko cedera badan.
3. **Cegah penyalaan yang tidak disengaja. Pastikan bahwa sakelar berada dalam posisi mati (off) sebelum menghubungkan mesin ke sumber daya dan/atau paket baterai, atau mengangkat atau membawanya.** Membawa mesin listrik dengan jari Anda pada sakelarnya atau mengalirkan listrik pada mesin listrik yang sakelarnya hidup (on) akan mengundang kecelakaan.
4. **Lepaskan kunci-kunci penyetel sebelum menghidupkan mesin listrik.** Kunci-kunci yang masih terpasang pada bagian mesin listrik yang berputar dapat menyebabkan cedera.
5. **Jangan meraih terlalu jauh. Jagalah pijakan dan keseimbangan sepanjang waktu.** Hal ini memungkinkan kendali yang lebih baik atas mesin listrik dalam situasi yang tidak diharapkan.
6. **Kenakan pakaian yang memadai. Jangan memakai pakaian yang longgar atau perhiasan. Jaga jarak antara rambut dan pakaian Anda dengan komponen mesin yang bergerak.** Pakaian yang longgar, perhiasan, atau rambut yang panjang dapat tersangkut pada komponen yang bergerak.
7. **Jika tersedia fasilitas untuk menghisap dan mengumpulkan debu, pastikan fasilitas tersebut terhubung listrik dan digunakan dengan baik.** Penggunaan pembersih debu dapat mengurangi bahaya yang terkait dengan debu.
8. **Jangan sampai Anda lelah dan mengabaikan prinsip keselamatan mesin ini hanya karena sudah sering mengoperasikannya dan sudah merasa terbiasa.** Tindakan yang lalai dapat menyebabkan cedera berat dalam sepersekian detik saja.

9. **Selalu kenakan kacamata pelindung untuk melindungi mata dari cedera saat menggunakan mesin listrik. Kacamata harus sesuai dengan ANSI Z87.1 di Amerika Serikat, EN 166 di Eropa, atau AS/NZS 1336 di Australia/Selandia Baru. Di Australia/Selandia Baru, secara hukum Anda juga diwajibkan mengenakan pelindung wajah untuk melindungi wajah Anda.**



**Menjadi tanggung jawab atasan untuk menerapkan penggunaan alat pelindung keselamatan yang tepat bagi operator mesin dan orang lain yang berada di area kerja saat itu.**

#### **Penggunaan dan pemeliharaan mesin listrik**

1. **Jangan memaksa mesin listrik. Gunakan mesin listrik yang tepat untuk keperluan Anda.** Mesin listrik yang tepat akan menuntaskan pekerjaan dengan lebih baik dan aman pada kecepatan sesuai rancangannya.
2. **Jangan gunakan mesin listrik jika sakelar tidak dapat menyala dan mematkannya.** Mesin listrik yang tidak dapat dikendalikan dengan sakelarnya adalah berbahaya dan harus diperbaiki.
3. **Cabut steker dari sumber listrik dan/atau lepas paket baterai, jika dapat dilepas, dari mesin listrik sebelum melakukan penyetelan apa pun, mengganti aksesor, atau menyimpan mesin listrik.** Langkah keselamatan preventif tersebut mengurangi risiko hidupnya mesin secara tak sengaja.
4. **Simpan mesin listrik jauh dari jangkauan anak-anak dan jangan biarkan orang yang tidak paham mengenai mesin listrik tersebut atau petunjuk ini menggunakan mesin listrik.** Mesin listrik sangat berbahaya di tangan pengguna yang tak terlatih.
5. **Rawatlah mesin listrik dan aksesor. Periksa apakah ada komponen bergerak yang tidak lurus atau macet, komponen yang pecah, dan kondisi-kondisi lain yang dapat memengaruhi pengoperasian mesin listrik. Jika rusak, perbaiki mesin listrik terlebih dahulu sebelum digunakan.** Banyak kecelakaan disebabkan oleh kurangnya pemeliharaan mesin listrik.
6. **Jaga agar mesin pemotong tetap tajam dan bersih.** Mesin pemotong yang terawat baik dengan mata pemotong yang tajam tidak mudah macet dan lebih mudah dikendalikan.
7. **Gunakan mesin listrik, aksesor, dan mata mesin, dll. sesuai dengan petunjuk ini, dengan memperhitungkan kondisi kerja dan jenis pekerjaan yang dilakukan.** Penggunaan mesin listrik untuk penggunaan yang lain dari peruntukan dapat menimbulkan situasi berbahaya.
8. **Jagalah agar gagang dan permukaan pegangan tetap kering, bersih, dan bebas dari minyak dan pelumas.** Gagang dan permukaan pegangan yang licin tidak mendukung keamanan penanganan dan pengendalian mesin dalam situasi-situasi tak terduga.
9. **Ketika menggunakan mesin, jangan menggunakan sarung tangan kain yang dapat tersangkut.** Sarung tangan kain yang tersangkut pada komponen bergerak dapat mengakibatkan cedera pada pengguna.

#### **Penggunaan dan pemeliharaan mesin bertenaga baterai**

1. **Isi ulang baterai hanya dengan pengisi daya yang ditentukan oleh pabrik.** Pengisi daya yang cocok untuk satu jenis paket baterai dapat menimbulkan risiko kebakaran ketika digunakan untuk paket baterai yang lain.
2. **Gunakan mesin listrik hanya dengan paket baterai yang telah ditentukan secara khusus.** Penggunaan paket baterai lain dapat menimbulkan risiko cedera dan kebakaran.
3. **Ketika paket baterai tidak digunakan, jauhkan dari benda logam lain, seperti penjepit kertas, uang logam, kunci, paku, sekrup atau benda logam kecil lainnya, yang dapat menghubungkan satu terminal ke terminal lain.** Hubungan singkat terminal baterai dapat menyebabkan luka bakar atau kebakaran.
4. **Pemakaian yang salah, dapat menyebabkan keluarnya cairan dari baterai; hindari kontak. Jika terjadi kontak secara tidak sengaja, bilas dengan air. Jika cairan mengenai mata, cari bantuan medis.** Cairan yang keluar dari baterai bisa menyebabkan iritasi atau luka bakar.
5. **Jangan menggunakan paket baterai atau mesin yang sudah rusak atau telah diubah.** Baterai yang rusak atau telah diubah dapat menyebabkan hal-hal yang tidak dapat diprediksi yang dapat menyebabkan kebakaran, ledakan atau risiko cedera.
6. **Jangan membiarkan paket baterai atau mesin dekat dengan api atau suhu yang berlebihan.** Paparan api atau suhu di atas 130 °C dapat menyebabkan ledakan.
7. **Ikuti semua petunjuk pengisian daya dan jangan mengisi daya paket baterai atau mesin di luar rentang suhu yang ditentukan di panduan.** Mengisi daya secara tidak tepat atau pada suhu di luar rentang yang ditentukan dapat merusak baterai dan meningkatkan risiko kebakaran.

#### **Servis**

1. **Berikan mesin listrik untuk diperbaiki hanya kepada oleh teknisi yang berkualifikasi dengan menggunakan hanya suku cadang pengganti yang serupa.** Hal ini akan menjamin terjaganya keamanan mesin listrik.

2. **Jangan pernah memperbaiki paket baterai yang sudah rusak.** Perbaiki paket baterai harus dilakukan hanya oleh produsen atau penyedia servis resmi.
3. **Patuhi petunjuk pelumasan dan penggantian aksesoris.**

## Peringatan keselamatan gergaji Mesin Nirkabel

1. **Jauhkan bagian tubuh Anda dari rantai gergaji saat gergaji mesin sedang bekerja. Sebelum menjalankan gergaji mesin, pastikan rantai gergaji tidak menyentuh benda apa pun.** Sesaat saja Anda lalai saat menggunakan gergaji mesin dapat menyebabkan pakaian atau tubuh Anda tersangkut pada rantai gergaji.
2. **Selalu pegang gergaji mesin dengan tangan kanan Anda pada bagian pegangan atas dan tangan kiri Anda di pegangan depan.** Memegang gergaji mesin dengan konfigurasi tangan yang terbalik dapat meningkatkan risiko cedera badan dan tidak boleh dilakukan.
3. **Pegang mesin listrik hanya pada permukaan gergang yang terisolasi, karena rantai gergaji mungkin bersentuhan dengan kawat tersembunyi.** Rantai gergaji yang menyentuh kawat "hidup" dapat menyebabkan bagian logam pada mesin teraliri arus listrik dan menyengat pengguna.
4. **Kenakan kaca mata pengaman dan pelindung telinga.** Disarankan untuk menggunakan peralatan pelindung diri lain untuk kepala, tangan, dan kaki. Pakaian pelindung yang sesuai akan mengurangi cedera diri dari serpihan yang berhamburan atau kontak tak disengaja dengan rantai gergaji.
5. **Selalu jaga pijakan yang baik.**
6. **Ketika memotong dahan pohon yang mengencang, waspadai dahan terlontar kembali ke belakang.** Ketika tegangan pada serat kayu dilepaskan, dahan yang terlontar dapat mengenai operator dan/atau membuat gergaji mesin tidak dapat dikendalikan.
7. **Sangat berhati-hatilah saat memotong semak dan tunas pohon.** Benda berukuran kecil mungkin dapat terkena rantai gergaji dan dapat mengenai Anda atau membuat Anda kehilangan keseimbangan.
8. **Bawalah gergaji mesin pada gagang depan dengan gergaji mesin dalam kondisi mati dan jauhkan dari tubuh Anda. Ketika membawa atau menyimpan gergaji mesin, selalu masukkan dalam penutup bilah pemandu.** Penanganan gergaji mesin yang tepat akan mengurangi kemungkinan kontak yang tidak disengaja dengan rantai gergaji yang sedang bergerak.
9. **Patuhi petunjuk pelumasan, pengencangan rantai, dan penggantian aksesoris.** Rantai yang tidak dikencangkan atau terlumasi dengan tepat dapat mengakibatkan kerusakan atau meningkatkan kemungkinan terjadinya hentakan balik.

10. **Jagalah agar gagang tetap kering, bersih, serta bebas dari minyak dan gemuk.** Gagang yang berminyak menjadi licin sehingga dapat menyebabkan hilangnya kendali.
11. **Hanya untuk memotong kayu. Jangan gunakan gergaji mesin untuk tujuan yang tidak sesuai kegunaannya.** Contoh: jangan gunakan gergaji mesin untuk memotong plastik, bata atau bahan bangunan selain kayu. Pemakaian gergaji mesin untuk penggunaan selain yang diperuntukkan dapat mengakibatkan situasi yang berbahaya.

### 12. **Penyebab dan pencegahan operator hentakan balik:**

Hentakan balik dapat terjadi saat hidung atau ujung bilah pemandu menyentuh sebuah benda, atau saat kayu menutup dan menjepit rantai gergaji pada bagian pemotongan. Kontak ujung pada banyak kasus dapat menyebabkan reaksi terbalik secara tiba-tiba, menghentak bilah pemandu dan mengarah balik ke arah operator. Menjepit rantai gergaji pada bagian atas bilah pemandu mungkin dapat menekan balik bilah pemandu ke arah operator secara cepat. Salah satu reaksi tersebut dapat menyebabkan Anda kehilangan kendali gergaji yang dapat menyebabkan cedera diri serius. Jangan bergantung hanya pada perangkat pengaman yang terpasang pada gergaji Anda. Sebagai pengguna gergaji mesin, Anda harus melakukan beberapa tahapan agar pekerjaan memotong Anda selalu terhindar dari cedera atau kecelakaan.

Hentakan balik merupakan akibat dari salah cara menggunakan alat dan/atau prosedur atau kondisi pengoperasian yang salah dan dapat dihindari dengan melakukan tindakan kewaspadaan yang tepat sebagaimana diuraikan di bawah ini:

- Pertahankan genggam yang kuat, dengan ibu jari dan jari-jari Anda menggenggam gagang gergaji mesin, dengan kedua tangan pada gergaji serta posisikan badan dan lengan Anda sehingga Anda dapat menahan gaya hentakan balik. Kekuatan hentakan balik dapat dikendalikan oleh operator, jika dilakukan tindakan pencegahan yang tepat. Jangan melepas gergaji mesin.

### ► Gbr.1

- Jangan meraih terlalu jauh dan jangan memotong di atas tinggi pundak. Hal ini membantu mencegah kontak ujung yang tidak diharapkan dan memungkinkan kontrol gergaji mesin yang lebih baik dalam situasi yang tidak diharapkan.
- Hanya gunakan bilah dan rantai pengganti yang ditentukan oleh pabrik. Penggantian bilah dan rantai yang tidak tepat dapat menyebabkan kerusakan pada rantai dan/ atau hentakan balik.
- Ikuti petunjuk pengasahan dan pemeliharaan pabrik untuk rantai gergaji. Menurunkan ketinggian pengukur kedalaman dapat menyebabkan peningkatan hentakan baik.

13. **Sebelum memulai pekerjaan, periksa bahwa gergaji mesin berfungsi dengan baik dan kondisinya sesuai dengan peraturan keselamatan. Periksa secara khusus bahwa:**
  - Rem rantai berfungsi dengan baik;
  - Rem pengurang kecepatan berfungsi dengan baik;
  - Penutup bilah dan sproket terpasang dengan benar;
  - Rantai telah diasah dan dikencangkan sesuai dengan aturan.
14. **Jangan menyalakan gergaji mesin dengan penutup rantai terpasang di atasnya.** Menyalakan gergaji mesin dengan penutup rantai terpasang di atasnya dapat menyebabkan penutup rantai terlempar ke luar yang dapat mengakibatkan cedera diri dan kerusakan pada benda di sekitar operator.
7. **Apabila peralatan terbentur keras atau terjatuh, periksa keadaannya sebelum melanjutkan bekerja. Periksa apakah terjadi malfungsi pada kontrol dan peralatan keselamatan. Jika ada kerusakan atau keraguan, tanyakan pusat layanan resmi kami untuk pemeriksaan dan perbaikan.**
8. **Selalu aktifkan rem rantai sebelum menyalakan gergaji mesin.**
9. **Pegang gergaji pada tempatnya dengan kuat untuk menghindari gergaji tergelincir atau terpejal ketika mulai memotong.**
10. **Pada akhir pemotongan, berhati-hatilah untuk menjaga keseimbangan Anda saat “potongan pohon jatuh”.**
11. **Pertimbangkanlah arah dan kecepatan angin. Hindari serbuk gergaji dan uap oli rantai.**

#### **Peralatan perlindungan**

- Peringatan Keselamatan Tambahan:**
1. **Saat menggunakan mesin dengan adaptor baterai, berhati-hatilah agar tidak tersandung kabel selama pengoperasian.**
  2. **Saat menggunakan mesin dengan adaptor baterai, jauhkan kabel dari penghalang, seperti benda kerja dan ranting, selama pengoperasian.** Kabel yang tersangkut penghalang dapat menimbulkan cedera serius.
- ### **Peringatan keselamatan khusus gergaji mesin berpegangan atas**
1. **Gergaji mesin ini dirancang khusus untuk pemeliharaan dan pemotongan pohon. Gergaji ini dimaksudkan untuk digunakan hanya oleh orang yang terlatih. Amati semua instruksi, prosedur dan rekomendasi dari organisasi profesional yang relevan. Jika tidak, dapat terjadi kecelakaan yang fatal. Disarankan untuk selalu menggunakan platform untuk naik (cherry picker, lift) untuk menggergaji pohon. Teknik rappelling sangatlah berbahaya dan memerlukan pelatihan khusus. Operator harus dilatih untuk terbiasa dengan penggunaan peralatan keselamatan dan teknik memanjat. Selalu gunakan sabuk, tali dan karabiner yang benar ketika bekerja dengan pohon. Selalu gunakan peralatan penahan baik untuk operator maupun gergaji.**
  2. **Lakukan pembersihan dan perawatan sebelum penyimpanan sesuai dengan petunjuk penggunaan.**
  3. **Pastikan posisi penyimpanan gergaji mesin yang aman selama dibawa dalam mobil untuk menghindari kebocoran bahan bakar atau oli rantai, kerusakan mesin dan cedera badan.**
  4. **Periksa secara rutin fungsi rem rantai.**
  5. **Jangan mengisi oli rantai di dekat api. Jangan merokok ketika Anda mengisi oli rantai.**
  6. **Peraturan negara Anda mungkin melarang penggunaan gergaji mesin.**
  1. **Untuk menghindari cedera kepala, mata, tangan, dan kaki, juga untuk melindungi pendengaran Anda, peralatan perlindungan harus digunakan selama pengoperasian gergaji mesin:**
    - Jenis pakaian harus sesuai, yaitu harus pas di badan namun tidak menghambat pergerakan. Jangan menggunakan perhiasan atau pakaian yang dapat terjatoh oleh semak atau belukar. Jika Anda berambut panjang, selalu gunakan hairnet!
    - Penting untuk menggunakan helm pelindung kapan pun Anda bekerja dengan menggunakan gergaji mesin. **Helm pelindung** harus diperiksa dari kerusakan dalam jangka waktu tertentu secara rutin dan harus diganti setelah paling tidak 5 tahun. Hanya gunakan helm pelindung yang disetujui.
    - **Pelindung wajah** dari helm perlindungan (atau kacamata) melindungi dari serbuk gergaji dan serpihan kayu. Selama pengoperasian gergaji mesin, selalu gunakan kacamata atau pelindung wajah untuk mencegah cedera mata.
    - Gunakan **peralatan pelindung kebisingan** (penutup telinga, sumbat telinga, dll.)
    - **Jaket pelindung** terdiri dari 22 lapisan nilon dan melindungi operator agar tidak terluka. Ia harus selalu dikenakan ketika bekerja dari platform yang tinggi (cherry picker, lift), dari platform yang dipasang di tangga, atau ketika memanjat dengan tali.
    - **Pakaian terusan dan pelindung** dibuat dari bahan nilon dengan 22 lapisan dan melindungi dari luka gores. Kami sangat menyarankan menggunakan peralatan tersebut.
    - **Sarung tangan pelindung** dibuat dari bahan kulit tebal dan merupakan bagian dari peralatan yang ditentukan dan harus selalu digunakan selama pengoperasian gergaji mesin.



- Selama pengoperasian gergaji mesin **sepatu keselamatan** atau **sepatu bot keselamatan** yang dilengkapi dengan sol anti selip, ujung sepatu baja dan pelindung kaki harus selalu digunakan. Sepatu keselamatan dilengkapi dengan lapisan pelindung yang melindungi dari luka gores dan memastikan pijakan yang aman. Untuk bekerja di pohon, sepatu bot keselamatan harus cocok untuk teknik memanjat.

#### Getaran

1. Individu dengan sirkulasi yang buruk yang terpapar getaran berlebih mungkin mengalami cedera pada pembuluh darah atau sistem saraf. Getaran dapat menyebabkan gejala berikut yang terjadi pada jari-jari, tangan, atau pergelangan tangan: "Mati rasa" (baal), kesemutan, nyeri, sensasi seperti tertusuk, perubahan kulit atau warna kulit. **Jika terjadi gejala tersebut, hubungi dokter!** Untuk mengurangi risiko "sindrom jari putih", selalu pastikan tangan Anda tetap hangat saat mengoperasikan mesin dan lakukan pemeliharaan peralatan dan aksesoris dengan baik.

## SIMPAN PETUNJUK INI.

**⚠️PERINGATAN:** JANGAN biarkan kenyamanan atau terbiasanya Anda dengan produk (karena penggunaan berulang) mengurangi kepatuhan yang ketat terhadap aturan keselamatan untuk produk yang terkait. **PENYALAHGUNAAN** atau kelalaian mematuhi kaidah keselamatan yang tertera dalam petunjuk ini dapat menyebabkan cedera badan serius.

### Petunjuk keselamatan penting untuk kartrid baterai

1. Sebelum menggunakan kartrid baterai, bacalah semua petunjuk dan penandaan pada (1) pengisi daya baterai, (2) baterai, dan (3) produk yang menggunakan baterai.
2. Jangan membongkar kartrid baterai.
3. Jika waktu beroperasinya menjadi sangat singkat, segera hentikan penggunaan. Hal tersebut dapat menimbulkan risiko panas berlebih, kemungkinan mengalami luka bakar atau bahkan terjadi ledakan.
4. Jika elektrolit mengenai mata Anda, basuh dengan air bersih dan segera cari pertolongan medis. Hal tersebut dapat mengakibatkan hilangnya kemampuan penglihatan Anda.
5. Jangan menghubungkan terminal kartrid baterai:
  - (1) Jangan menyentuh terminal dengan bahan penghantar listrik apa pun.
  - (2) Hindari menyimpan kartrid baterai pada wadah yang berisi benda logam lain seperti paku, uang logam, dsb.
  - (3) Jangan membiarkan baterai terkena air atau keuhujan.

Hubungan singkat baterai dapat menyebabkan aliran arus listrik yang besar, panas berlebih, kemungkinan mengalami luka bakar dan bahkan kerusakan pada baterai.

6. Jangan menyimpan mesin dan kartrid baterai pada lokasi dengan suhu yang bisa mencapai atau melebihi 50 °C.
7. Jangan membuang kartrid baterai di tempat pembakaran sampah walaupun benar-benar rusak atau tidak bisa digunakan sama sekali. Kartrid baterai bisa meledak jika terbakar.
8. Berhati-hatilah jangan sampai baterai jatuh atau terbentur.
9. Jangan menggunakan baterai yang rusak.
10. **Baterai litium-ion yang disertakan sesuai dengan persyaratan Perundangan Makanan Berbahaya.**

Harus ada pengawasan untuk pengangkutan komersial misalnya oleh pihak ketiga, ekspeditor, persyaratan khusus terhadap pengemasan dan pelabelan.

Diperlukan adanya konsultasi dengan ahli mengenai material berbahaya untuk persiapan barang yang akan dikirimkan. Perhatikan pula peraturan nasional yang lebih terperinci yang mungkin ada.

Beri perekat atau tutupi bagian yang terbuka dan kemasi baterai dengan cara yang tidak akan menimbulkan pergeseran dalam pengemasan.

11. **Ketika membuang kartrid baterai, lepaskan dari mesin dan buang ke tempat yang aman. Patuhi peraturan setempat yang berkaitan dengan pembuangan baterai.**
12. **Gunakan baterai hanya dengan produk yang ditentukan oleh Makita.** Memasang baterai pada produk yang tidak sesuai dapat menyebabkan kebakaran, kelebihan panas, ledakan, atau kebocoran elektrolit.
13. **Jika mesin tidak digunakan dalam jangka waktu yang lama, baterai harus dilepas dari mesin.**

## SIMPAN PETUNJUK INI.

**⚠️PERHATIAN:** Gunakan baterai asli Makita. Penggunaan baterai Makita yang tidak asli, atau baterai yang sudah diubah, akan mengakibatkan baterai mudah terbakar, cedera dan kerusakan. Akan menghilangkan garansi Makita pada pengisi daya dan alat Makita.

## Tip untuk menjaga agar umur pemakaian baterai maksimum

1. Isi ulang kartrid baterai sebelum habis sama sekali. Selalu hentikan penggunaan mesin dan ganti kartrid baterai jika Anda melihat bahwa mesin kurang tenaga.
2. Jangan pernah mengisi ulang kartrid baterai yang sudah diisi penuh. Pengisian ulang yang berlebih memperpendek umur pemakaian baterai.
3. Isi ulang kartrid baterai pada suhu ruangan 10 °C - 40 °C. Biarkan kartrid baterai yang panas menjadi dingin terlebih dahulu sebelum diisi ulang.

4. Isi ulang daya kartrid baterai jika Anda tidak menggunakannya untuk jangka waktu yang lama (lebih dari enam bulan).

## DESKRIPSI BAGIAN-BAGIAN MESIN

### ► Gbr.2

1	Indikator baterai	2	Tombol pemeriksaan	3	Pelatuk sakelar
4	Pegangan atas	5	Tuas buka kunci	6	Pelindung tangan depan
7	Bilah pemandu	8	Rantai Gergaji	9	Penangkap rantai
10	Mur penahan	11	Sekrup penyatel rantai	12	Kartrid baterai
13	Lampu daya utama	14	Indikator mode	15	Sakelar daya utama
16	Tutup	17	Sekrup penyatel (untuk pompa oli)	18	Karabiner
19	Pegangan depan	20	Tutup tangki oli	21	Bamper paku
22	Penutup bilah pemandu	-	-	-	-

## DESKRIPSI FUNGSI

**⚠ PERHATIAN:** Selalu pastikan bahwa mesin dimatikan dan kartrid baterai dilepas sebelum menyatel atau memeriksa kerja mesin.

### Memasang atau melepas baterai

**⚠ PERHATIAN:** Selalu matikan mesin sebelum memasang atau melepas kartrid baterai.

**⚠ PERHATIAN:** Pegang mesin dan kartrid baterai kuat-kuat saat memasang atau melepas kartrid baterai. Kelalaian untuk memegang mesin dan kartrid baterai kuat-kuat bisa menyebabkan keduanya tergelincir dari tangan Anda dan mengakibatkan kerusakan pada mesin dan kartrid baterai dan cedera diri.

- **Gbr.3:** 1. Indikator berwarna merah 2. Tombol 3. Kartrid baterai

Untuk melepas kartrid baterai, geser dari mesin sambil menggeser tombol pada bagian depan kartrid.

Untuk memasang kartrid baterai, sejajarkan lidah kartrid baterai dengan alur pada rumah dan masukkan ke dalam tempatnya. Masukkan seluruhnya sampai terkunci pada tempatnya dan terdengar bunyi klik kecil. Jika Anda bisa melihat indikator berwarna merah pada sisi atas tombol, berarti tidak terkunci sepenuhnya.








**⚠ PERHATIAN:** Selalu pasang kartrid baterai sepenuhnya sampai indikator berwarna merah tidak terlihat. Jika tidak, bisa terlepas dari mesin secara tidak sengaja, menyebabkan luka pada Anda atau orang di sekitar Anda.

**⚠ PERHATIAN:** Jangan memasang kartrid baterai secara paksa. Jika kartrid tidak bergeser dengan mudah, berarti tidak dimasukkan dengan benar.

## Mengindikasikan kapasitas baterai yang tersisa

- **Gbr.4:** 1. Indikator baterai 2. Tombol pemeriksaan

Tekan tombol pemeriksaan untuk melihat kapasitas baterai yang tersisa. Indikator baterai berhubungan dengan setiap baterai.

Status indikator baterai			Kapasitas baterai yang tersisa
 Menyala	 Mati	 Berkedip	
			50% hingga 100%
			20% hingga 50%
			0% hingga 20%
			Isi ulang baterai

## Mengindikasikan kapasitas baterai yang tersisa

Hanya untuk kartrid baterai dengan indikator

► **Gbr.5:** 1. Lampu indikator 2. Tombol pemeriksaan

Tekan tombol pemeriksaan pada kartrid baterai untuk melihat kapasitas baterai yang tersisa. Lampu indikator menyala selama beberapa detik.

Lampu indikator			Kapasitas yang tersisa
Menyala	Mati	Berkedip	
■	□	◐	75% hingga 100%
■	■	■	50% hingga 75%
■	■	□	25% hingga 50%
■	□	□	0% hingga 25%
◐	□	□	Isi ulang baterai.
■	■	□	Baterai mungkin sudah rusak.
□	□	■	

**CATATAN:** Tergantung kondisi penggunaan dan suhu lingkungannya, penunjukkan mungkin saja sedikit berbeda dari kapasitas sebenarnya.

## Sistem perlindungan mesin / baterai

Mesin ini dilengkapi dengan sistem perlindungan mesin/ baterai. Sistem ini memutus daya ke motor secara otomatis untuk memperpanjang umur pakai mesin dan baterai. Mesin akan berhenti secara otomatis saat dioperasikan jika mesin atau baterai mengalami salah satu dari kondisi-kondisi berikut ini:

### Perlindungan kelebihan beban

Jika baterai digunakan dengan cara yang menjadikan baterai mengeluarkan arus tinggi yang berlebihan, mesin akan berhenti secara otomatis dan lampu daya utama berkedip hijau. Dalam situasi ini, matikan mesin dan hentikan pekerjaan yang menyebabkan mesin mengalami kelebihan beban. Kemudian, nyalakan mesin untuk kembali melanjutkan pekerjaan.

### Perlindungan panas berlebih

Apabila mesin atau baterai menjadi terlalu panas, mesin akan berhenti secara otomatis dan lampu daya utama akan berkedip merah. Pada keadaan ini, tunggu hingga mesin dan baterai mendingin sebelum dinyalakan kembali.

**CATATAN:** Dalam lingkungan bertemperatur tinggi, pelindung panas akan bekerja dan mesin berhenti secara otomatis.

## Perlindungan pengisian daya berlebih

Apabila kapasitas baterai tidak mencukupi, mesin akan berhenti secara otomatis dan lampu daya utama akan berkedip merah. Dalam kondisi ini, lepaskan baterai dari mesin dan isi ulang daya baterai.

## Sakelar daya utama

**PERINGATAN:** Selalu matikan sakelar daya utama saat tidak digunakan.

Untuk menyalakan mesin, tekan sakelar daya utama hingga lampu daya utama menyala hijau. Untuk mematikan, tekan sakelar daya utama lagi.

► **Gbr.6:** 1. Lampu daya utama 2. Indikator mode 3. Sakelar daya utama

**CATATAN:** Lampu daya utama akan berkedip hijau jika pelatuk sakelar ditarik dalam kondisi yang tidak layak untuk pengoperasian. Lampu berkedip dalam salah satu kondisi berikut.

- Ketika Anda menyalakan sakelar daya utama sambil menahan tuas buka kunci dan pelatuk sakelar ke bawah.
- Ketika Anda menarik pelatuk sakelar saat rantai direm.
- Ketika Anda melepaskan rem rantai sambil menahan tuas buka kunci ke bawah dan menarik pelatuk sakelar.

**CATATAN:** Mesin ini menggunakan fungsi pemutus daya otomatis. Untuk menghindari penyalaaan yang tidak disengaja, sakelar daya utama akan secara otomatis mati ketika pelatuk sakelar tidak ditarik selama beberapa saat setelah sakelar daya utama dinyalakan.

Anda dapat menggunakan mesin dalam mode Putaran Cepat untuk memotong ranting yang tebal atau ranting yang keras. Untuk menggunakan mode Putaran Cepat, ketika mesin dimatikan, tekan sakelar daya utama selama beberapa detik sampai lampu indikator mode menyala hijau.

**CATATAN:** Anda bisa menggunakan mesin dalam mode Putaran Cepat hingga 60 detik. Tergantung pada kondisi penggunaan, mode ini berpindah ke mode normal dalam kurang dari 60 detik.

**CATATAN:** Jika indikator mode berkedip hijau ketika Anda menekan sakelar daya utama selama beberapa detik, mode Putaran Cepat tidak tersedia. Dalam kasus ini, ikuti langkah-langkah berikut.

- Mode Putaran Cepat tidak tersedia tepat setelah pengoperasian pemotongan. Tunggu selama lebih dari 10 detik, lalu tekan sakelar daya utama kembali selama beberapa detik.
- Jika Anda menggunakan mode Putaran Cepat beberapa kali, penggunaan mode Putaran Cepat akan dibatasi untuk melindungi baterai. Jika mode Putaran Cepat tidak tersedia setelah menunggu lebih dari 10 detik, ganti kartrid baterai dengan kartrid baterai yang sudah terisi daya penuh, atau isi ulang daya kartrid baterai.

**CATATAN:** Jika lampu daya utama menyala merah atau berkedip merah atau hijau, merujuklah pada instruksi untuk sistem perlindungan mesin/baterai.

## Kerja sakelar

**⚠PERINGATAN:** Untuk keselamatan Anda, mesin ini dilengkapi tuas buka kunci untuk mencegah hidupnya mesin secara tidak disengaja. **JANGAN PERNAH** menggunakan mesin jika mesin tersebut menyala ketika Anda hanya menarik pelatuk sakelarnya tanpa menekan tuas buka kunci. Kembalikan mesin ke pusat layanan resmi kami untuk diperbaiki dengan benar **SEBELUM** menggunakannya lebih lanjut.

**⚠PERINGATAN:** **JANGAN PERNAH** melambatkan atau mengurangi kegunaan dan fungsi tuas buka kunci.

**⚠PERHATIAN:** Sebelum memasukkan kartrid baterai pada mesin, pastikan picu saklar berfungsi dengan baik dan kembali ke posisi "OFF" saat dilepas.

**PEMBERITAHUAN:** Jangan menarik dalam-dalam pelatuk sakelar tanpa menekan tuas buka kunci. Hal ini bisa merusak sakelar.

Untuk mencegah pelatuk sakelar tertarik dengan tidak sengaja, tersedia sebuah tuas buka kunci. Untuk menjalankan mesin, tekan tuas buka kunci dan tarik pelatuk sakelar. Kecepatan mesin akan meningkat dengan menambah tekanan pada pelatuk sakelar. Lepaskan pelatuk sakelar untuk berhenti.

► **Gbr.7:** 1. Pelatuk sakelar 2. Tuas buka kunci

## Memeriksa rem rantai

**⚠PERHATIAN:** Pegang gergaji mesin dengan kedua tangan ketika menyalakannya. Pegang pegangan atas dengan tangan kanan Anda, pegangan depan dengan tangan kiri Anda. Bilah dan rantai tidak boleh bersentuhan dengan objek apa pun.

**⚠PERHATIAN:** Jika rantai gergaji tidak segera berhenti saat pengujian ini dilakukan, gergaji ini tidak boleh digunakan dalam kondisi apa pun. Konsultasikan dengan pusat layanan resmi kami.

1. Tekan tuas buka kunci, kemudian tarik pelatuk sakelar. Rantai gergaji segera menyala.
  2. Tekan pelindung tangan depan ke depan dengan bagian belakang tangan Anda. Pastikan bahwa gergaji mesin segera berhenti.
- **Gbr.8:** 1. Pelindung tangan depan 2. Posisi tidak terkunci 3. Posisi terkunci

## Memeriksa rem pengurang kecepatan

**⚠PERHATIAN:** Jika rantai gergaji tidak berhenti dalam dua detik pada pengujian ini, hentikan penggunaan gergaji mesin dan konsultasikan dengan pusat servis resmi kami.

Nyalakan gergaji mesin dan lepaskan pelatuk sakelar sepenuhnya. Rantai gergaji harus berhenti sepenuhnya dalam dua detik.

## Menyetel pelumasan rantai

Anda dapat menyesuaikan laju pemakanan pompa oli dengan sekrup penyetel menggunakan kunci universal. Jumlah oli dapat disesuaikan dalam 3 tahap. Buka penutup untuk menyetel sekrup penyetel.

► **Gbr.9:** 1. Tutup 2. Sekrup penyetel

## Karabiner (titik pemasangan tali)

Anda dapat menggantungkan alat dengan memasang tali ke karabiner. Tarik karabiner, lalu ikat ke tali.

► **Gbr.10:** 1. Karabiner

## Fungsi elektronik

Mesin ini dilengkapi dengan fungsi elektronik untuk pengoperasian yang mudah.

- Kontrol kecepatan konstan  
Fungsi kontrol kecepatan memberikan kecepatan rotasi yang konstan terlepas dari kondisi muatan.

# PERAKITAN

**⚠️ PERHATIAN:** Selalu pastikan bahwa mesin dimatikan dan kartrid baterai dilepas sebelum melakukan pekerjaan apa pun pada mesin.

**⚠️ PERHATIAN:** Jangan sentuh rantai gergaji dengan tangan kosong. Selalu kenakan sarung tangan saat menangani rantai gergaji.

## Melepas dan memasang rantai gergaji

**⚠️ PERHATIAN:** Rantai gergaji dan bilah pemandu masih panas sesaat setelah pemakaian. Biarkan hingga cukup dingin sebelum melakukan tindakan apa pun pada mesin.

**⚠️ PERHATIAN:** Lakukan prosedur pemasangan atau pelepasan rantai gergaji pada tempat yang bersih bebas dari serbuk gergaji dan sejenisnya.

Untuk melepaskan rantai gergaji, lakukan langkah-langkah berikut ini:

1. Lepaskan rem rantai dengan menarik pengaman tangan depan.

2. Longgarkan sekrup penyatel rantai, lalu mur penahan.

► **Gbr.11:** 1. Sekrup penyatel rantai 2. Mur penahan

3. Lepas penutup sproket kemudian lepas rantai gergaji dan bilah pemandu dari badan gergaji mesin.

Untuk memasang rantai gergaji, lakukan langkah-langkah berikut ini:

1. Periksa arah rantai gergaji. Cocokkan arah rantai gergaji dengan tanda pada rantai gergaji.

2. Pasang satu ujung rantai gergaji pada bilah pemandu atas.

3. Pasang ujung lainnya dari rantai gergaji di sekitar sproket, lalu sambungkan bilah pemandu ke gergaji mesin, sejajarkan lubang pada bilah pemandu dengan pasak pada gergaji mesin.

► **Gbr.12:** 1. Sproket 2. Lubang

4. Masukkan tonjolan dan pasak pada tutup sproket ke gergaji mesin, lalu tutup penutup sehingga baut dan pasak pada gergaji mesin terpasang dengan pas pada penutup.

► **Gbr.13:** 1. Tonjolan 2. Penutup sproket 3. Baut 4. Pasak

5. Kencangkan mur penahan untuk mengencangkan penutup sproket, longgarkan sedikit untuk menyesuaikan tegangan.

► **Gbr.14:** 1. Mur penahan

## Menyetel kekencangan rantai gergaji

**⚠️ PERHATIAN:** Jangan mengencangkan rantai gergaji terlalu kuat. Rantai gergaji yang terlalu tegang dapat menyebabkan kerusakan pada rantai gergaji dan keausan pada bilah pemandu.

**⚠️ PERHATIAN:** Rantai yang terlalu kendur dapat terlempar keluar dari bilah sehingga dapat mengakibatkan cedera atau kecelakaan.

Rantai gergaji mungkin akan menjadi kendur setelah beberapa jam pemakaian. Periksa kekencangan rantai gergaji secara berkala sebelum digunakan.

1. Lepaskan rem rantai dengan menarik pengaman tangan depan.

2. Longgarkan sedikit mur penahan untuk sedikit melonggarkan penutup sproket.

► **Gbr.15:** 1. Mur penahan

3. Angkat sedikit tepi bilah pemandu dan sesuaikan tegangan rantai. Putar sekrup penyatel rantai searah jarum jam untuk mengencangkan, putar berlawanan arah jarum jam untuk melonggarkan.

**Untuk pisau rantai 90PX dan 91PX:**

Kencangkan rantai gergaji hingga bagian bawah rantai gergaji pas pada rel bilah pemandu seperti ditunjukkan pada gambar.

► **Gbr.16:** 1. Bilah pemandu 2. Rantai Gergaji

3. Sekrup penyatel rantai

**Untuk pisau rantai 25AP:**

Kencangkan rantai gergaji sehingga celah antara pusat dari sisi bawah bilah pemandu dan rantai gergaji menjadi sekitar 1 mm hingga 2 mm.

4. Tetap tahan bilah pemandu dengan hati-hati dan kencangkan penutup sproket.

**Untuk pisau rantai 90PX dan 91PX:**

Pastikan rantai gergaji tidak kendur pada bagian sisi bawah.

**Untuk pisau rantai 25AP:**

Pastikan celah antara pusat dari sisi bawah bilah pemandu dan rantai gergaji berada sekitar 1 mm hingga 2 mm.

5. Kencangkan mur penahan untuk mengencangkan penutup sproket.

► **Gbr.17:** 1. Mur penahan

# PENGUNAAN

## Pelumasan

Rantai gergaji secara otomatis terlumasi ketika mesin sedang beroperasi. Periksa jumlah oli yang tersisa pada tangki oli secara rutin melalui jendela pemantau oli.

Untuk mengisi ulang tangki, letakkan gergaji mesin dengan tutup tangki menghadap atas, lalu dorong tutup tangki oli, dan kemudian lepaskan tutup tangki oli. Jumlah oli yang diperlukan adalah 200 ml.

Setelah mengisi ulang tangki, pastikan tutup tangki oli dikencangkan dengan sempurna.

► **Gbr.18:** 1. Tutup tangki oli 2. Jendela pemantau oli

Setelah pengisian ulang, jauhkan gergaji mesin dari pohon. Nyalakan dan tunggu hingga rantai gergaji terlumasi dengan baik.

► **Gbr.19**

**PEMBERITAHUAN:** Ketika mengisi oli rantai untuk pertama kalinya, atau mengisi ulang tangki setelah benar-benar kosong, tambahkan oli hingga tepi bawah leher filter. Jika tidak, penyaluran oli dapat terganggu.

**PEMBERITAHUAN:** Gunakan oli rantai gergaji khusus untuk gergaji mesin Makita atau oli setara yang tersedia di pasaran.

**PEMBERITAHUAN:** Jangan pernah gunakan oli yang mengandung debu dan partikel atau minyak atsiri.

**PEMBERITAHUAN:** Ketika memangkas pohon, gunakan oli botani. Oli berbahan mineral dapat membahayakan pohon.

**PEMBERITAHUAN:** Sebelum pengerjaan pemotongan dilakukan, pastikan bahwa tutup tangki oli yang tersedia telah disekrup pada tempatnya.

# BEKERJA DENGAN GERGAJI MESIN

**PERHATIAN:** Pengguna yang baru pertama kali menggunakan gergaji, sebagai praktik minimal, lakukan pemotongan kayu di atas kuda-kuda atau penyangga.

**PERHATIAN:** Ketika menggergaji kayu pra potong, gunakan dukungan yang aman (kuda-kuda atau penyangga). Jangan menstabilkan benda kerja menggunakan kaki Anda, dan jangan biarkan siapa pun juga memegang atau mencoba menstabilkannya.

**PERHATIAN:** Kencangkan potongan bundar terhadap rotasi.

**PERHATIAN:** Jauhkan bagian tubuh Anda dari rantai gergaji saat motor sedang bekerja.

**PERHATIAN:** Pegang gergaji mesin dengan kedua tangan saat motor sedang menyala.

**PERHATIAN:** Jangan meraih terlalu jauh. Selalu jagalah pijakan dan keseimbangan.

**PEMBERITAHUAN:** Jangan melempar atau menjatuhkan mesin.

**PEMBERITAHUAN:** Jangan menutupi ventilasi mesin.

## Memangkas pohon

Posisikan gergaji mesin hingga menyentuh ranting yang akan dipotong sebelum dinyalakan. Jika tidak maka dapat menyebabkan bilah pemandu bergoyang, menyebabkan cedera pada operator. Gergajilah kayu yang akan dipotong dengan menggerakkan gergaji ke bawah dengan menggunakan bobot gergaji mesin.

► **Gbr.20**

Jika Anda tidak dapat langsung memotong kayu dalam satu tarikan:

Berikan sedikit tekanan pada pegangan dan lanjutkan menggergaji dan tarik sedikit gergaji mesin ke belakang.

► **Gbr.21**

Ketika memotong ranting yang tebal, pertama-tama lakukan potongan dangkal di bagian bawah lalu bereskan pemotongan dari atas.

► **Gbr.22**

Jika Anda mencoba memotong ranting yang tebal dari bawah, ranting akan terjatuh di dekat Anda dan menjepit rantai gergaji saat pemotongan. Jika Anda mencoba untuk memotong ranting yang tebal dari atas tanpa potongan dangkal di bagian bawah, ranting dapat terpecah.

► **Gbr.23**

## Pembagian batang

1. Sandarkan gergaji mesin pada kayu yang akan dipotong.  
► **Gbr.24**
2. Dengan rantai gergaji yang menyala, gergajilah kayu menggunakan pegangan atas untuk menaikkan gergaji dan pegangan depan untuk memandu.
3. Lanjutkan pemotongan dengan melakukan sedikit tekanan pada pegangan atas, melepaskan gergaji sedikit ke belakang.

**PEMBERITAHUAN:** Ketika melakukan beberapa pemotongan, matikan gergaji mesin di antara jeda pemotongan tersebut.

**PERHATIAN:** Jika tepi atas bilah digunakan untuk pemotongan, gergaji mesin mungkin akan berbelok ke arah Anda jika rantainya terjebak. Untuk itu, potong dengan tepi bawah sehingga gergaji akan menjauh dari tubuh Anda.

► **Gbr.25**

Ketika Anda memotong kayu dalam kondisi yang mengencang, potong sisi yang tertekan (A) lebih dahulu. Kemudian lakukan potongan akhir dari sisi yang mengencang (B). Hal ini mencegah terjebaknya bilah.

► **Gbr.26**

## Pemotongan cabang

**PERHATIAN:** Pemotongan cabang hanya dapat dilakukan oleh seorang yang terlatih. Terdapat bahaya dari risiko hentakan balik.

Ketika memotong cabang, topang gergaji mesin pada batang pohon jika memungkinkan. Jangan melakukan pemotongan dengan ujung bilah, karena akan berisiko terjadinya hentakan balik.

Perhatikan dengan saksama cabang kayu yang mengencang. Jangan memotong cabang pohon yang tidak didukung dari bawah.

Jangan berdiri di atas batang yang ditebang saat melakukan pemotongan.

## Membawa mesin

Sebelum membawa mesin, selalu gunakan rem rantai dan lepas kartrid baterai dari mesin. Kemudian pasang penutup bilah pemandu. Tutup juga kartrid baterai dengan penutup baterai.

► **Gbr.27:** 1. Penutup bilah pemandu 2. Kotak baterai

## PERAWATAN

**PERHATIAN:** Selalu pastikan bahwa mesin dimatikan dan kartrid baterai dilepas sebelum melakukan pemeriksaan atau perawatan.

**PERHATIAN:** Selalu gunakan sarung tangan saat melakukan pemeriksaan atau pemeliharaan.

**PEMBERITAHUAN:** Jangan sekali-kali menggunakan bensin, tiner, alkohol, atau bahan sejenisnya. Penggunaan bahan demikian dapat menyebabkan perubahan warna, perubahan bentuk atau timbulnya retakan.

Untuk menjaga KEAMANAN dan KEANDALAN mesin, perbaikan, perawatan atau penyetelan lainnya harus dilakukan oleh Pusat Layanan Resmi atau Pabrik Makita; selalu gunakan suku cadang pengganti buatan Makita.

## Mengasah rantai gergaji

**Asah rantai gergaji saat:**

- Serbuk gergaji yang mengental terbentuk saat kayu yang basah dipotong;
- Rantai kesulitan menembus kayu, bahkan ketika menggunakan tekanan keras;
- Tepi pemotongnya benar-benar rusak;
- Gergaji bergerak ke kiri atau kanan di dalam kayu. (disebabkan oleh pengasahan rantai gergaji yang tidak rata atau terdapat kerusakan pada satu sisinya)

Asah rantai gergaji secara teratur tetapi sebentar saja. Dua atau tiga asahan dengan menggunakan kikir sudah cukup untuk pengasahan rutin. Ketika rantai gergaji telah diasah beberapa kali, bawalah ke pusat layanan resmi kami untuk dilakukan pengasahan.

**Kriteria pengasahan:**

**PERINGATAN:** Jarak yang terlalu lebar antara tepi pemotongan dan pengukur kedalaman akan meningkatkan risiko hentakan balik.

► **Gbr.28:** 1. Panjang pemotong 2. Jarak antara tepi pemotongan dan pengukur kedalaman 3. Panjang pemotong minimum (3 mm)

- Panjang semua pemotong harus sama. Perbedaan panjang pemotong dapat membuat rantai gergaji tidak berjalan mulus dan mungkin dapat menyebabkan rantai gergaji putus.
- Jangan menajamkan rantai jika panjang pemotong telah mencapai 3 mm atau lebih pendek. Rantai harus diganti dengan yang baru.
- Ketebalan serpihan kayu ditentukan oleh jarak antara pengukur kedalaman (hidung bulat) dan tepi pemotongan.
- Hasil pemotongan terbaik diperoleh dengan mengikuti jarak antara tepi pemotongan dan pengukur kedalaman berikut ini.
  - Pisau rantai 90PX : 0,65 mm
  - Pisau rantai 91PX : 0,65 mm
  - Pisau rantai 25AP : 0,65 mm

► **Gbr.29**



- Sudut pengasahan 30° harus sama pada semua alat potong. Perbedaan sudut alat potong menyebabkan rantai bergerak kasar dan tidak merata, mempercepat keausan, dan menyebabkan rantai putus.
- Gunakan kikir bulat yang sesuai sehingga sudut pengasahan yang tepat tetap terjaga terhadap gigitnya.
  - Mata pisau rantai 90PX : 55°
  - Mata pisau rantai 91PX : 55°
  - Pisau rantai 25AP : 55°

#### Kikir dan pengarah kikir

- Gunakan kikir bulat khusus (pilihan aksesoris) rantai gergaji untuk mengasah rantai. Kikir bulat yang normal tidak cocok digunakan.
- Diameter kikir bulat untuk tiap rantai gergaji adalah sebagai berikut:
  - Pisau rantai 90PX : 4,5 mm
  - Pisau rantai 91PX : 4,0 mm
  - Pisau rantai 25AP : 4,0 mm
- Kikir hanya boleh digunakan pada alat potong dengan gerakan ke arah depan. Angkat kikir dari alat potong pada gerakan balik.
- Asah alat potong yang paling pendek terlebih dahulu. Kemudian panjang pemotong paling pendek ini menjadi standar untuk semua alat potong lain pada rantai gergaji ini.
- Arahkan kikir seperti ditunjukkan pada gambar.
  - ▶ **Gbr.30:** 1. Kikir 2. Rantai Gergaji
- Kikir dapat diarahkan dengan mudah jika pemegang kikir (pilihan aksesoris) digunakan. Pemegang kikir memiliki tanda untuk sudut pengasahan yang tepat 30° (luruskan tanda sejajar dengan rantai gergaji) dan membatasi kedalaman penetrasi (hingga 4/5 dari diameter kikir).
  - ▶ **Gbr.31:** 1. Pemegang kikir
- Setelah mengasah rantai, periksa ketinggian pengukur kedalaman menggunakan alat pengukur rantai (pilihan aksesoris).
  - ▶ **Gbr.32**
- Buang segala bahan yang menonjol, meskipun kecil, dengan kikir datar khusus (pilihan aksesoris).
- Ratakan bagian depan pengukur kedalaman.

### Membersihkan bilah pemandu

Serpihan kayu dan serbuk gergaji akan menumpuk pada alur bilah pemandu. Hal itu dapat menyumbat alur bilah dan menghalangi aliran oli. Bersihkan serpihan kayu dan serbuk gergaji setiap kali Anda mengasah atau mengganti rantai gergaji.

▶ **Gbr.33**

### Membersihkan penutup sproket

Serpihan kayu dan serbuk gergaji akan terkumpul di dalam penutup sproket. Lepaskan penutup sproket dan rantai gergaji dari mesin kemudian bersihkan serpihan kayu dan serbuk gergajinya.

▶ **Gbr.34**

### Bersihkan lubang buang oli

Debu atau partikel berukuran kecil mungkin akan menumpuk pada lubang buang oli selama pengoperasian. Debu atau partikel ini dapat mengganggu aliran oli dan menyebabkan pelumasan yang kurang mencukupi pada seluruh rantai gergaji. Ketika penyebaran oli rantai yang buruk terjadi pada bagian atas bilah pemandu, bersihkan lubang buang oli sebagai berikut.

1. Lepas penutup sproket dan rantai gergaji dari mesin.
2. Bersihkan debu atau partikel kecil menggunakan obeng minus atau sejenisnya.
  - ▶ **Gbr.35:** 1. Obeng bermata celah 2. Lubang buang oli
3. Masukkan kartrid baterai ke dalam mesin. Tarik pelatuk sakelar untuk mengalirkan debu atau partikel yang terbentuk pada lubang buang oli dengan cara mengeluarkan oli rantai.
4. Lepas kartrid baterai dari mesin. Pasang ulang penutup sproket dan rantai gergaji pada mesin.

### Mengganti sproket

**PERHATIAN:** Sproket yang aus akan merusak rantai gergaji baru. Ganti sproket untuk kasus ini.

Sebelum memasang rantai gergaji yang baru, periksa kondisi sproket.

▶ **Gbr.36:** 1. Sproket 2. Area keausan

Selalu pasang cincin pengunci baru saat mengganti sproket.

▶ **Gbr.37:** 1. Cincin pengunci 2. Sproket

**PEMBERITAHUAN:** Pastikan bahwa sproket terpasang seperti ditunjukkan pada gambar.

### Menyimpan mesin

1. Bersihkan mesin sebelum disimpan. Bersihkan segala serpihan kayu dan serbuk gergaji dari mesin setelah melepas penutup sproket.
2. Setelah membersihkan mesin, jalankan mesin tanpa beban untuk melumasi rantai gergaji dan bilah pemandu.
3. Tutup bilah pemandu dengan penutup bilah pemandu.
4. Kosongkan tangki oli.



## Petunjuk untuk pemeliharaan berkala

Untuk memastikan umur pemakaian mesin, mencegah kerusakan dan memastikan fitur-fitur keselamatan berfungsi secara utuh, pemeliharaan berikut harus dilakukan secara rutin. Klaim garansi hanya dapat diakui jika pengerjaan tersebut dilakukan secara rutin dan tepat. Kesalahan dalam pengerjaan pemeliharaan yang dianjurkan dapat menyebabkan kecelakaan! Pengguna gergaji mesin tidak boleh melakukan pengerjaan pemeliharaan yang tidak dijelaskan dalam petunjuk penggunaan ini. Seluruh pengerjaan tersebut harus dilakukan oleh pusat layanan resmi kami.

Item pemeriksaan / Waktu pengoperasian		Sebelum penggunaan	Setiap hari	Setiap minggu	Setiap 3 bulan	Tahunan	Sebelum penyimpanan
Gergaji mesin	Pemeriksaan.	✓	-	-	-	-	-
	Pembersihan.	-	✓	-	-	-	-
	Periksa di pusat layanan resmi.	-	-	-	-	✓	✓
Rantai Gergaji	Pemeriksaan.	✓	-	-	-	-	-
	Lakukan pengasahan jika diperlukan.	-	-	-	-	-	✓
Bilah pemandu	Pemeriksaan.	✓	✓	-	-	-	-
	Lepaskan dari gergaji mesin.	-	-	-	-	-	✓
Rem rantai	Periksa fungsinya.	✓	-	-	-	-	-
	Periksa di pusat layanan resmi secara rutin.	-	-	-	✓	-	-
Pelumasan rantai	Periksa laju pemakaian oli.	✓	-	-	-	-	-
Pelatuk sakelar	Pemeriksaan.	✓	-	-	-	-	-
Tuas buka kunci	Pemeriksaan.	✓	-	-	-	-	-
Tutup tangki oli	Periksa kekencangan.	✓	-	-	-	-	-
Penangkap rantai	Pemeriksaan.	-	-	✓	-	-	-
Baut dan mur	Pemeriksaan.	-	-	✓	-	-	-

# PEMECAHAN MASALAH

Sebelum meminta perbaikan, lakukan pemeriksaan mandiri terlebih dahulu. Jika Anda menemukan masalah yang tidak dijelaskan dalam buku petunjuk ini, jangan coba membongkar mesin. Sebaliknya, hubungi Pusat Servis Resmi Makita, dan selalu gunakan suku cadang pengganti Makita untuk perbaikan.

Status kerusakan fungsi	Penyebab	Tindakan
Gergaji mesin tidak menyala.	Kartrid baterai tidak terpasang.	Pasang kartrid baterai yang telah terisi daya.
	Masalah baterai (tegangan rendah).	Isi ulang daya kartrid baterai. Jika pengisian ulang daya tidak berhasil, gantilah kartrid baterai.
	Sakelar daya utama mati.	Gergaji mesin akan mati secara otomatis jika tidak dioperasikan selama waktu tertentu. Nyalakan sakelar daya utama kembali.
Rantai gergaji tidak bergerak.	Rem rantai diaktifkan.	Lepaskan rem rantai.
Motor berhenti setelah digunakan sebentar.	Daya baterai rendah.	Isi ulang daya kartrid baterai. Jika pengisian ulang daya tidak berhasil, gantilah kartrid baterai.
Tidak ada oli pada rantai.	Tangki oli kosong.	Isi tangki oli.
	Alur arah oli kotor.	Bersihkan alumnya.
	Penyaluran oli yang buruk.	Setel jumlah penyaluran oli dengan sekup penyatel.
Gergaji mesin tidak mencapai RPM maksimum.	Kartrid baterai dipasang secara tidak tepat.	Pasang kartrid baterai sebagaimana diuraikan dalam buku petunjuk ini.
	Daya baterai menurun.	Isi ulang daya kartrid baterai. Jika pengisian ulang daya tidak berhasil, gantilah kartrid baterai.
	Sistem penggerak tidak bekerja secara benar.	Tanyakan pada pusat layanan resmi di tempat Anda untuk memperbaikinya.
Lampu daya utama berkedip hijau.	Pelatuk sakelar ditarik dalam kondisi tidak dapat dioperasikan.	Tarik pelatuk sakelar setelah sakelar daya utama dinyalakan dan rem rantai dilepaskan.
Rantai tidak berhenti walaupun rem rantai diaktifkan: <b>Hentikan mesin segera!</b>	Pita rem aus.	Tanyakan pada pusat layanan resmi di tempat Anda untuk memperbaikinya.
Getaran tidak normal: <b>Hentikan mesin segera!</b>	Kendurkan bilah pemandu atau rantai gergaji.	Setel bilah pemandu dan kekencangan rantai gergaji.
	Kerusakan fungsi mesin.	Tanyakan pada pusat layanan resmi di tempat Anda untuk memperbaikinya.
Mode Putaran Cepat tidak tersedia setelah mengganti kartrid baterai dengan kartrid baterai yang sudah diisi daya penuh.	Tergantung pada kondisi penggunaan, mode Putaran Cepat tidak tersedia setelah mengganti kartrid baterai.	Gunakan mesin dalam mode normal hingga kartrid baterai yang terpasang kosong, lalu ganti dengan kartrid baterai yang telah diisi daya penuh, atau isi ulang daya kartrid baterai.
Rantai gergaji tidak dapat dipasang.	Kombinasi rantai gergaji dan sproket salah.	Gunakan kombinasi rantai gergaji dan sproket yang benar sesuai dengan yang tercantum di bagian spesifikasi.

## AKSESORI PILIHAN

**⚠️ PERHATIAN:** Dianjurkan untuk menggunakan aksesoris atau perangkat tambahan ini dengan mesin Makita Anda yang ditentukan dalam petunjuk ini. Penggunaan aksesoris atau perangkat tambahan lain bisa menyebabkan risiko cedera pada manusia. Hanya gunakan aksesoris atau perangkat tambahan sesuai dengan peruntukannya.

Jika Anda memerlukan bantuan lebih rinci berkenaan dengan aksesoris ini, tanyakan pada Pusat Layanan Makita terdekat.

- Rantai Gergaji
- Bilah pemandu
- Penutup bilah pemandu
- Sproket
- Kikir
- Baterai dan pengisi daya asli Makita

**⚠️ PERINGATAN:** Jika Anda membeli bilah pemandu yang panjangnya berbeda dengan bilah pemandu standar, belilah juga penutup bilah pemandu yang cocok dengan bilah tersebut. Penutup tersebut harus pas dan menutupi bilah pemandu pada gergaji mesin sepenuhnya.

**CATATAN:** Beberapa item dalam daftar tersebut mungkin sudah termasuk dalam paket mesin sebagai aksesoris standar. Hal tersebut dapat berbeda dari satu negara ke negara lainnya.

# THÔNG SỐ KỸ THUẬT

Kiểu máy:		DUC256	DUC306	DUC356	DUC406	DUC256C
Chiều dài tổng thể (với thanh dẫn hướng)		270 mm				
Điện áp định mức		36 V một chiều				
Khối lượng tịnh		4,6 - 4,8 kg	4,7 - 4,9 kg	4,8 - 5,0 kg	4,8 - 5,1 kg	4,6 - 4,7 kg
Chiều dài thanh dẫn hướng tiêu chuẩn		250 mm	300 mm	350 mm	400 mm	250 mm
Chiều dài thanh dẫn hướng khuyến dùng	với 90PX	250 - 400 mm				-
	với 91PX	250 - 400 mm				-
	với 25AP	-				250 mm
Loại xích cưa có thể dùng được (tham khảo bảng dưới đây)				90PX 91PX	25AP	
Đĩa xích tiêu chuẩn	Số răng	6				9
	Răng cưa	3/8"				1/4"
Tốc độ xích		0 - 20 m/s (0 - 1.200 m/min)				
Dung tích bình chứa dầu dây xích		200 cm <sup>3</sup>				

- Do chương trình nghiên cứu và phát triển liên tục của chúng tôi nên các thông số kỹ thuật trong đây có thể thay đổi mà không cần thông báo trước.
- Các thông số kỹ thuật có thể thay đổi tùy theo từng quốc gia.
- Khối lượng có thể khác nhau tùy thuộc vào (các) phụ kiện, bao gồm cả hộp pin. Tổ hợp nhẹ nhất và nặng nhất, theo Quy trình EPTA 01/2014, được trình bày trong bảng.

## Hộp pin có thể áp dụng

BL1830 / BL1830B / BL1840 / BL1840B / BL1850 / BL1850B / BL1860B

- Một số hộp pin được nêu trong danh sách ở trên có thể không khả dụng tùy thuộc vào khu vực cư trú của bạn.

**⚠ CẢNH BÁO:** Chỉ sử dụng hộp pin được nêu trong danh sách ở trên. Việc sử dụng bất cứ hộp pin nào khác có thể gây ra thương tích và/hoặc hỏa hoạn.

## Kết hợp xích cưa, thanh dẫn hướng và đĩa xích

Loại xích cưa		90PX			
Số mắt xích		40	46	52	56
Thanh dẫn hướng	Chiều dài thanh dẫn hướng	250 mm	300 mm	350 mm	400 mm
	Chiều dài cắt	238 mm	294 mm	350 mm	387 mm
	Răng cưa	3/8"			
	Thanh đo	1,1 mm			
	Loại	Thanh chắn mũi bánh xích			
Đĩa xích	Số răng	6			
	Răng cưa	3/8"			

Loại xích cưa		91PX			
Số mắt xích		40	46	52	56
Thanh dẫn hướng	Chiều dài thanh dẫn hướng	250 mm	300 mm	350 mm	400 mm
	Chiều dài cắt	238 mm	294 mm	350 mm	387 mm
	Răng cưa	3/8"			
	Thanh đo	1,3 mm			
	Loại	Thanh chắn mũi bánh xích			
Đĩa xích	Số răng	6			
	Răng cưa	3/8"			

Loại xích cưa		25AP
Số mắt xích		60
Thanh dẫn hướng	Chiều dài thanh dẫn hướng	250 mm
	Chiều dài cắt	253 mm
	Răng cưa	1/4"
	Thanh đo	1,3 mm
	Loại	Thanh uốn cong
Đĩa xích	Số răng	9
	Răng cưa	1/4"

**⚠ CẢNH BÁO:** Kết hợp sử dụng thanh dẫn hướng và xích cưa thích hợp. Nếu không có thể dẫn đến thương tích cá nhân.

## Ký hiệu

Phần dưới đây cho biết các ký hiệu được dùng cho thiết bị. Đảm bảo rằng bạn hiểu rõ ý nghĩa của các ký hiệu này trước khi sử dụng.

	Đọc tài liệu hướng dẫn.
	Mang kính an toàn.
	Đeo thiết bị bảo vệ tai.
	Đội mũ bảo hộ, kính an toàn và thiết bị bảo vệ tai.
	Sử dụng vật bảo hộ thích hợp cho bàn chân-chân và tay-cánh tay.
	Chỉ những người vận hành được đào tạo đúng cách mới được sử dụng máy cưa này.
	Không được tiếp xúc với hơi ẩm.
	Chiều dài tối đa được phép cắt
	Luôn sử dụng cả hai tay khi vận hành xích cưa.
	Cẩn thận với việc cưa xích bật ngược và tránh tiếp xúc với phần đầu thanh.
	Hướng truyền dây xích
	Điều chỉnh dầu cho xích cưa
	Chỉ dành cho các quốc gia EU Không tháo bỏ thiết bị điện hoặc bộ pin cùng với các chất thải sinh hoạt! Để tuân thủ các Chỉ thị của Châu Âu về thiết bị điện và điện tử thải bỏ, và về pin và ắc quy và pin và ắc quy thải bỏ, và thi hành những chỉ thị này phù hợp với luật lệ quốc gia, các thiết bị điện tử và pin và (các) bộ pin không còn sử dụng được nữa phải được thu nhặt riêng và đưa trở lại một cơ sở tái chế tương thích với môi trường.

## Mục đích sử dụng

Dụng cụ này được dùng để cắt nhánh và tưa cây. Dụng cụ cũng phù hợp để chăm sóc cây.

## CẢNH BÁO AN TOÀN

### Cảnh báo an toàn chung dành cho dụng cụ máy

**⚠ CẢNH BÁO:** Xin đọc tất cả các cảnh báo an toàn, hướng dẫn, minh họa và thông số kỹ thuật đi kèm với dụng cụ máy này. Việc không tuân theo các hướng dẫn được liệt kê dưới đây có thể dẫn đến điện giật, hỏa hoạn và/hoặc thương tích nghiêm trọng.

### Lưu giữ tất cả cảnh báo và hướng dẫn để tham khảo sau này.

Thuật ngữ "dụng cụ máy" trong các cảnh báo đề cập đến dụng cụ máy (có dây) được vận hành bằng nguồn điện chính hoặc dụng cụ máy (không dây) được vận hành bằng pin của bạn.

#### An toàn tại nơi làm việc

- Giữ nơi làm việc sạch sẽ và có đủ ánh sáng.** Nơi làm việc bừa bộn hoặc tối thường dễ gây ra tai nạn.
- Không vận hành dụng cụ máy trong môi trường cháy nổ, ví dụ như môi trường có sự hiện diện của các chất lỏng, khí hoặc bụi dễ cháy.** Các dụng cụ máy tạo tia lửa điện có thể làm bụi hoặc khí bốc cháy.
- Giữ trẻ em và người ngoài tránh xa nơi làm việc khi đang vận hành dụng cụ máy.** Sự xao lãng có thể khiến bạn mất khả năng kiểm soát.

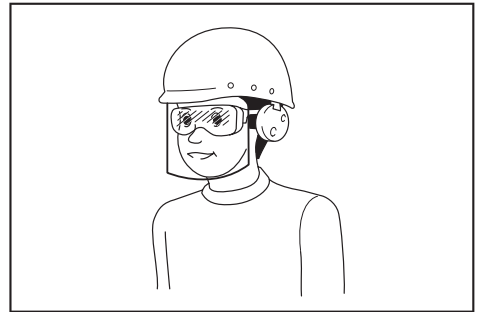
#### An toàn về Điện

- Phích cắm của dụng cụ máy phải khớp với ổ cắm. Không được sửa đổi phích cắm theo bất kỳ cách nào. Không sử dụng bất kỳ phích cắm chuyển đổi nào với các dụng cụ máy được nối đất (tiếp đất).** Các phích cắm còn nguyên vẹn và ổ cắm phù hợp sẽ giảm nguy cơ điện giật.

2. **Tránh để cơ thể tiếp xúc với các bề mặt nổi đất hoặc tiếp đất như đường ống, bộ tản nhiệt, bếp ga và tủ lạnh.** Nguy cơ bị điện giật sẽ tăng lên nếu cơ thể bạn được nối đất hoặc tiếp đất.
3. **Không để dụng cụ máy tiếp xúc với mưa hoặc trong điều kiện ẩm ướt.** Nước lọt vào dụng cụ máy sẽ làm tăng nguy cơ điện giật.
4. **Không lạm dụng dây điện. Không được phép sử dụng dây để mang, kéo hoặc tháo phích cắm dụng cụ máy. Giữ dây tránh xa nguồn nhiệt, dầu, các mép sắc hoặc các bộ phận chuyển động.** Dây bị hỏng hoặc bị rơi sẽ làm tăng nguy cơ điện giật.
5. **Khi vận hành dụng cụ máy ngoài trời, hãy sử dụng dây kéo dài phù hợp cho việc sử dụng ngoài trời.** Việc dùng dây phù hợp cho việc sử dụng ngoài trời sẽ giảm nguy cơ điện giật.
6. **Nếu bắt buộc phải vận hành dụng cụ máy ở nơi ẩm ướt, hãy sử dụng nguồn cấp điện được bảo vệ bằng thiết bị ngắt dòng điện rò (RCD).** Việc sử dụng RCD sẽ làm giảm nguy cơ điện giật.
7. **Các dụng cụ máy có thể tạo ra từ trường điện (EMF) có hại cho người dùng.** Tuy nhiên, người dùng máy trợ tim và những thiết bị y tế tương tự khác nên liên hệ với nhà sản xuất thiết bị và/hoặc bác sỹ để được tư vấn trước khi vận hành dụng cụ này.

#### An toàn Cá nhân

1. **Luôn tỉnh táo, quan sát những việc bạn đang làm và sử dụng những phán đoán theo kinh nghiệm khi vận hành dụng cụ máy. Không sử dụng dụng cụ máy khi bạn đang mệt mỏi hoặc chịu ảnh hưởng của ma túy, rượu hay thuốc.** Chỉ một khoảnh khắc không tập trung khi đang vận hành dụng cụ máy cũng có thể dẫn đến thương tích cá nhân nghiêm trọng.
2. **Sử dụng thiết bị bảo hộ cá nhân. Luôn đeo thiết bị bảo vệ mắt.** Các thiết bị bảo hộ như mặt nạ chống bụi, giày an toàn chống trượt, mũ bảo hộ hay thiết bị bảo vệ thính giác được sử dụng trong các điều kiện thích hợp sẽ giúp giảm thương tích cá nhân.
3. **Tránh vô tình khởi động dụng cụ máy. Đảm bảo công tắc ở vị trí off (tắt) trước khi nối nguồn điện và/hoặc bộ pin, cắm hoặc di chuyển dụng cụ máy.** Việc di chuyển dụng cụ máy khi đang đặt ngón tay ở vị trí công tắc hoặc cấp điện cho dụng cụ máy đang bật thường dễ gây ra tai nạn.
4. **Tháo tất cả các khóa hoặc cờ lê điều chỉnh trước khi bật dụng cụ máy.** Việc cờ lê hoặc khóa vẫn còn gắn vào bộ phận quay của dụng cụ máy có thể dẫn đến thương tích cá nhân.
5. **Không với quá cao. Luôn giữ thăng bằng tốt và có chỗ để chân phù hợp.** Điều này cho phép điều khiển dụng cụ máy tốt hơn trong những tình huống bất ngờ.
6. **Ăn mặc phù hợp. Không mặc quần áo rộng hay đeo đồ trang sức. Giữ tóc và quần áo tránh xa các bộ phận chuyển động.** Quần áo rộng, đồ trang sức hay tóc dài có thể mắc vào các bộ phận chuyển động.



Trách nhiệm của chủ lao động là bắt buộc người vận hành dụng cụ và những người khác trong khu vực làm việc cạnh đó phải sử dụng các thiết bị bảo hộ an toàn thích hợp.

#### Sử dụng và bảo quản dụng cụ máy

1. **Không dùng lực đối với dụng cụ máy. Sử dụng đúng dụng cụ máy cho công việc của bạn.** Sử dụng đúng dụng cụ máy sẽ giúp thực hiện công việc tốt hơn và an toàn hơn theo giá trị định mức được thiết kế của dụng cụ máy đó.
2. **Không sử dụng dụng cụ máy nếu công tắc không bật và tắt được dụng cụ máy đó.** Mọi dụng cụ máy không thể điều khiển được bằng công tắc đều rất nguy hiểm và phải được sửa chữa.
3. **Rút phích cắm ra khỏi nguồn điện và/hoặc tháo kết nối bộ pin khỏi dụng cụ máy, nếu có thể tháo rời trước khi thực hiện bất kỳ công việc điều chỉnh, thay đổi phụ tùng hay cất giữ dụng cụ máy nào.** Những biện pháp an toàn phòng ngừa này sẽ giảm nguy cơ vô tình khởi động dụng cụ máy.
4. **Cất giữ các dụng cụ máy không sử dụng ngoài tầm với của trẻ em và không cho bất kỳ người nào không có hiểu biết về dụng cụ máy hoặc các hướng dẫn này vận hành dụng cụ máy.** Dụng cụ máy sẽ rất nguy hiểm nếu được sử dụng bởi những người dùng chưa qua đào tạo.

5. **Bảo dưỡng dụng cụ máy và các phụ kiện.** Kiểm tra tình trạng lệch trục hoặc bó kẹt của các bộ phận chuyển động, hiện tượng nứt vỡ của các bộ phận và mọi tình trạng khác mà có thể ảnh hưởng đến hoạt động của dụng cụ máy. Nếu có hỏng hóc, hãy sửa chữa dụng cụ máy trước khi sử dụng. Nhiều tai nạn xảy ra là do không bảo quản tốt dụng cụ máy.
6. **Luôn giữ cho dụng cụ cất được sắc bén và sạch sẽ.** Những dụng cụ cất được bảo quản tốt có mép cắt sắc sẽ ít bị kẹt hơn và dễ điều khiển hơn.
7. **Sử dụng dụng cụ máy, phụ tùng và đầu dụng cụ cắt, v.v... theo các hướng dẫn này, có tính đến điều kiện làm việc và công việc được thực hiện.** Việc sử dụng dụng cụ máy cho các công việc khác với công việc dự định có thể gây nguy hiểm.
8. **Giữ tay cầm và bề mặt tay cầm khô, sạch, không dính dầu và mỡ.** Tay cầm trơn trượt và bề mặt tay cầm không cho phép xử lý an toàn và kiểm soát dụng cụ trong các tình huống bất ngờ.
9. **Khi sử dụng dụng cụ, không được đi giày tay lao động bằng vải, có thể bị vướng.** Việc giày tay lao động bằng vải vướng vào các bộ phận chuyển động có thể gây ra thương tích cá nhân.

#### Sử dụng và bảo quản dụng cụ dùng pin

1. **Chỉ sạc pin lại với bộ sạc do nhà sản xuất quy định.** Bộ sạc phù hợp với một loại bộ pin này có thể gây ra nguy cơ hỏa hoạn khi được dùng cho một bộ pin khác.
2. **Chỉ sử dụng các dụng cụ máy với các bộ pin được quy định cụ thể.** Việc sử dụng bất cứ bộ pin nào khác có thể gây ra thương tích và hỏa hoạn.
3. **Khi không sử dụng bộ pin, hãy giữ tránh xa các đồ vật khác bằng kim loại, chẳng hạn như kẹp giấy, tiền xu, chìa khóa, đinh, ốc vít hoặc các vật nhỏ bằng kim loại mà có thể làm nổi tất các đầu cực pin.** Các đầu cực pin bị đoản mạch có thể gây cháy hoặc hỏa hoạn.
4. **Trong điều kiện sử dụng quá mức, pin có thể bị chảy nước; hãy tránh tiếp xúc.** Nếu vô tình tiếp xúc với pin bị chảy nước, hãy rửa sạch bằng nước. Nếu dung dịch từ pin tiếp xúc với mắt, cần đi khám bác sĩ ngay. Dung dịch chảy ra từ pin có thể gây rát da hoặc bỏng.
5. **Không sử dụng bộ pin hoặc dụng cụ bị hư hỏng hoặc đã bị sửa đổi.** Pin đã bị hư hỏng hoặc đã bị sửa đổi có thể hành động theo cách không thể đoán trước dẫn đến cháy, nổ hoặc nguy cơ chấn thương.
6. **Không để bộ pin hoặc dụng cụ tiếp xúc với lửa hoặc nhiệt độ quá cao.** Tiếp xúc với lửa hoặc nhiệt độ trên 130 °C có thể gây ra cháy nổ.
7. **Làm theo tất cả các hướng dẫn sạc pin và không được sạc bộ pin hoặc dụng cụ vượt giới hạn nhiệt độ quy định trong hướng dẫn.** Sạc pin không đúng hoặc ở nhiệt độ vượt giới hạn nhiệt độ có thể gây hư hỏng cho pin và làm tăng nguy cơ cháy.

#### Bảo dưỡng

1. **Đề nhân viên sửa chữa đủ trình độ bảo dưỡng dụng cụ máy của bạn và chỉ sử dụng các bộ phận thay thế đồng nhất.** Việc này sẽ đảm bảo duy trì được độ an toàn của dụng cụ máy.
2. **Không bao giờ sử dụng bộ pin đã hỏng.** Dịch vụ bảo hành bộ pin chỉ nên thực hiện bởi nhà sản xuất hoặc các nhà cung cấp dịch vụ được ủy quyền.
3. **Tuân theo hướng dẫn dành cho việc bôi trơn và thay phụ tùng.**

### Các cảnh báo an toàn cho Máy Cưa Xích Chạy Pin

1. **Giữ tất cả các bộ phận của thân máy tránh xa động cơ máy cưa xích khi máy cưa xích đang hoạt động.** Trước khi bạn khởi động máy cưa xích, hãy đảm bảo rằng xích cưa không tiếp xúc với bất cứ thứ gì. Chỉ cần một giây không chú ý khi máy cưa xích hoạt động có thể khiến cho quần áo hay cơ thể của bạn vướng vào xích cưa.
2. **Luôn giữ tay cầm phía trên của xích cưa bằng tay phải và tay cầm phía trước bằng tay trái.** Giữ máy cưa xích với hình dáng tay ngược lại làm tăng nguy cơ gây thương tích cá nhân và không bao giờ nên làm điều đó.
3. **Giữ dụng cụ máy chỉ bằng các bề mặt kẹp cách định, vì xích cưa có thể tiếp xúc với dây dẫn kín.** Xích cưa tiếp xúc với dây dẫn “có điện” có thể khiến các bộ phận kim loại bị hở của dụng cụ máy “có điện” và làm cho người vận hành bị điện giật.
4. **Mang kính bảo hộ và thiết bị chống tiếng ồn.** Những thiết bị bảo hộ thêm cho đầu, tay, chân và bàn chân cũng được khuyến khích. Quần áo bảo hộ đầy đủ sẽ giảm thiểu thương tích cá nhân bởi những mảnh vụn bay hay sự tiếp xúc bất ngờ với xích cưa.
5. **Luôn đặt chân ở chỗ để chân phù hợp.**
6. **Khi cắt phân rìa trong tình trạng kéo căng, hãy cảnh giác với lò xo bật ngược.** Khi sức nén của các thứ gỗ được giải phóng lò xo chứa phân rìa có thể va đập vào người vận hành và/hoặc làm mất kiểm soát máy cưa xích.
7. **Đặc biệt cẩn trọng khi cắt bụi cây và những cây non.** Các vật liệu có tiết diện nhỏ có thể vướng vào xích cưa và bị quất vào người bạn hoặc khiến bạn mất thăng bằng.
8. **Cầm máy cưa xích bằng tay cầm trước khi máy cưa xích đã tắt và xa cơ thể của bạn.** Khi vận chuyển hay cất giữ máy cưa xích, phải luôn gắn chặt vỏ bảo vệ thanh dẫn hướng. Cầm đúng tư thế máy cưa xích sẽ giảm sự tiếp xúc vô tình xảy ra với xích cưa đang chuyển động.
9. **Tuân theo các hướng dẫn dành cho việc bôi trơn, lực căng dây xích và thay phụ tùng.** Sức nén không thích hợp hay dây xích đã được bôi trơn cũng có thể gây hay tăng nguy cơ của lực đẩy ngược.
10. **Giữ tay cầm khô, sạch, không dính dầu và mỡ.** Tay cầm dính dầu, mỡ dễ trơn trượt gây mất kiểm soát.

11. **Chỉ cắt gỗ. Không sử dụng máy cưa xích cho những mục đích chưa được dự tính trước.** Ví dụ: không sử dụng máy cưa xích để cắt nhựa, gạch đá hoặc các vật liệu xây dựng không phải bằng gỗ. Việc dùng máy cưa xích cho các công việc khác với công việc dự định có thể gây nguy hiểm.

12. **Nguyên nhân và cách ngăn ngừa hiện tượng bật ngược cho người vận hành:**  
Lực đẩy ngược có thể xảy ra khi mũi hoặc đầu thanh dẫn hướng va chạm vào một vật, hoặc khi phần gỗ ở gần và kẹp xích cưa tại vết cắt. Tiếp xúc đầu mũi trong một vài trường hợp có thể gây ra phản ứng ngược bất ngờ, đẩy thanh dẫn hướng lên và bật ngược về hướng người vận hành. Kẹp chặt xích cưa dọc theo phần đầu của thanh dẫn hướng có thể đẩy nhanh thanh dẫn hướng về phía người vận hành. Một trong những phản ứng này có thể khiến cho bạn mất kiểm soát máy cưa và có thể dẫn đến thương tích cá nhân nghiêm trọng. Đừng chỉ dựa vào những thiết bị an toàn được gắn vào trong máy cưa. Là một người sử dụng máy cưa xích, bạn nên tiến hành nhiều bước để giữ cho công việc cắt không bị tai nạn hoặc chấn thương.  
Hiện tượng bật ngược lại là do sử dụng dụng cụ không đúng và/hoặc do các quy trình hoặc tình trạng vận hành không chính xác và có thể tránh được bằng cách thực hiện các biện pháp phòng ngừa thích hợp như được nêu dưới đây:

- Duy trì việc giữ chặt máy cưa, với ngón tay cái và các ngón tay bao quanh tay cầm của máy cưa xích, cả hai tay nắm máy cưa và vị trí cơ thể và cánh tay của bạn để giúp bạn chịu đựng được lực đẩy ngược. Người vận hành có thể kiểm soát được lực đẩy ngược, nếu thực hiện các biện pháp phòng ngừa thích hợp. Không được buông máy cưa xích.

#### ► Hình 1

- Không cắt quá cao và không cắt quá chiều cao vai. Điều này giúp ngăn chặn vó y tiếp xúc đầu mũi và cho phép kiểm soát máy cưa xích tốt hơn trong những trường hợp không mong muốn xảy ra.
- Chỉ sử dụng những thanh dẫn và dây xích thay thế do nhà sản xuất quy định. Việc thay thế thanh dẫn và dây xích không đúng có thể làm gãy dây xích và/hoặc bật ngược lại.
- Tuân theo dõi các chỉ dẫn bảo trì và mài xích cưa của nhà sản xuất. Giảm chiều cao thanh đo sâu có thể dẫn đến hiện tượng bật ngược gia tăng.

13. **Trước khi bắt đầu công việc, kiểm tra lưỡi cưa xích nằm trong vị trí làm việc thích hợp và tình trạng của nó tuân theo các quy định an toàn. Kiểm tra cụ thể là:**

- Phan của dây xích đang hoạt động đúng cách;
- Phan ngả đang hoạt động đúng cách;
- Vỏ bảo vệ đĩa xích và thanh dẫn vừa khít với nhau;
- Dây xích đã được mài sắc và kéo căng theo đúng quy định.

14. **Không khởi động máy cưa xích khi nắp dây xích được lắp phía trên.** Khởi động máy cưa xích với nắp dây xích được lắp phía trên có thể khiến vỏ dây xích văng ra trước, dẫn đến thương tích cá nhân và hư hại các vật thể xung quanh người vận hành.

#### Cảnh báo an toàn bổ sung:

1. **Chỉ sử dụng dụng cụ với bộ chuyển đổi pin, hãy cẩn thận để không vấp phải dây trong quá trình vận hành.**
2. **Chỉ sử dụng dụng cụ với bộ chuyển đổi pin, hãy giữ dây điện tránh xa khỏi các chướng ngại vật như phôi gia công và các nhánh cây trong quá trình vận hành.** Dây bị vướng bởi chướng ngại vật có thể gây ra thương tích nghiêm trọng.

## Cảnh báo an toàn chỉ định dành cho máy cưa xích có tay cầm phía trên

1. **Máy cưa xích này được thiết kế đặc biệt cho công việc chăm sóc và cắt ghép cây. Máy cưa xích chỉ dành cho người được đào tạo phù hợp sử dụng. Tuân thủ tất cả các hướng dẫn, quy trình và khuyến nghị từ các tổ chức chuyên môn có liên quan. Nếu không có thể xảy ra tai nạn chết người. Chúng tôi khuyến bạn nên luôn sử dụng bục nâng (cần thu hái, thang nâng) để cưa trên cây. Trèo lên xuống bằng dây thừng rất nguy hiểm và cần được đào tạo đặc biệt. Người vận hành phải được đào tạo để làm quen với cách sử dụng thiết bị an toàn và kỹ thuật leo trèo. Luôn sử dụng dây đai, dây thừng và móc treo thích hợp khi làm việc trên cây. Luôn sử dụng thiết bị hãm cho cả người vận hành và cưa.**
2. **Thực hiện vệ sinh và bảo dưỡng trước khi cất giữ theo hướng dẫn sử dụng.**
3. **Đảm bảo cố định máy cưa xích an toàn khi vận chuyển bằng ô tô để tránh bị rò rỉ nhiên liệu hoặc dầu bôi trơn xích, gây hỏng dụng cụ và thương tích cá nhân.**
4. **Thường xuyên kiểm tra chức năng phanh của dây xích.**
5. **Không nạp dầu bôi trơn xích gần lửa. Không bao giờ hút thuốc khi đang nạp dầu bôi trơn xích.**
6. **Máy cưa xích có thể bị hạn chế sử dụng theo quy định của quốc gia.**
7. **Nếu thiết bị chịu lực nặng hoặc bị ngã, hãy kiểm tra tình trạng của nó trước khi tiếp tục công việc. Kiểm tra các nút điều khiển và các thiết bị an toàn xem có hỏng hóc gì không. Nếu có bất kỳ hư hỏng hoặc nghi ngờ nào, hãy nhờ trung tâm dịch vụ được ủy quyền kiểm tra và sửa chữa.**
8. **Luôn kích hoạt phanh xích trước khi khởi động máy cưa xích.**
9. **Giữ cưa chắc chắn tại chỗ để tránh trượt (trơn trượt) hoặc cưa này lên khi bắt đầu cắt.**
10. **Khi dừng cắt, hãy chú giữ thăng bằng khi bạn "thả" cưa.**
11. **Hãy tính đến hướng và tốc độ gió. Tránh bụi mùn cưa và dầu bôi trơn xích.**



## Thiết bị bảo vệ

- Để tránh thương tích cho đầu, mắt, tay hoặc chân cũng như để bảo vệ thính lực, bạn phải sử dụng các thiết bị bảo hộ sau trong khi vận hành máy cưa xích:**
  - Quần áo phải phù hợp, tức là phải vừa khít nhưng không cản trở công việc. Không mang đồ trang sức hay quần áo có thể bị vướng vào cổ cao hoặc bụi cây. Nếu tóc bạn dài, luôn đội mũ trùm tóc!
  - Đội mũ bảo hộ bất cứ khi nào làm việc với máy cưa xích là điều cần thiết. **Mũ bảo hiểm** cần phải được kiểm tra thường xuyên xem có bị hỏng không và phải được thay thế muộn nhất là sau 5 năm. Chỉ sử dụng mũ bảo hộ được phê duyệt.
  - Mặt nạ bảo vệ** của mũ bảo hiểm (hoặc kính bảo hộ) bảo vệ khỏi mùn cưa và các mảnh gỗ. Trong quá trình vận hành máy cưa xích, luôn đeo kính hoặc mặt nạ bảo vệ để tránh làm mắt bị thương.
  - Mang đầy đủ **thiết bị bảo vệ chống tiếng ồn** (chụp tai, bông nút tai, v.v...)
  - Áo khoác bảo vệ** bao gồm 22 lớp ni lông và bảo vệ người vận hành khỏi bị cắt vào người. Luôn mặc áo khi làm việc từ các sân nâng cao (cần thu hái, thang nâng), từ các sân được gắn trên thang hoặc khi leo cây bằng dây thừng.
  - Dây đeo bảo vệ và quần áo bảo hộ** được làm bằng 22 lớp sợi ni lông để bảo vệ khỏi vết cắt. Chúng tôi khuyến nghị bạn nên sử dụng.
  - Găng tay bảo hộ** được làm từ da dày, là một phần của thiết bị theo quy định và phải luôn mang trong quá trình vận hành máy cưa xích.
  - Trong quá trình vận hành máy cưa xích, phải luôn đi **giày bảo hộ** hoặc **giày ống bảo hộ** có đế chống trượt, nắp trùm ngón chân bằng thép để bảo vệ chân không bị cắt trúng. Giày bảo hộ được trang bị với một lớp bảo vệ giúp bảo vệ chống lại các vết cắt và đảm bảo chỗ để chân cố định. Khi làm việc trên cây, những đôi giày ống bảo hộ phải phù hợp với kỹ thuật leo trèo.

## Rung động

- Cá nhân mắc phải bệnh tuần hoàn máu kém nếu tiếp xúc với rung động quá mức có thể gây tổn thương mạch máu hay hệ thần kinh. Rung động có thể gây ra các triệu chứng xảy ra ở ngón tay, bàn tay hoặc cổ tay sau đây: "Buồn ngủ" (tình trạng tê cứng), ngứa, đau, cảm giác bị kim châm, thay đổi màu da hoặc da. **Nếu các triệu chứng này xảy ra, hãy tới bác sĩ!** Để giảm bớt nguy cơ "bệnh trắng ngón tay", hãy giữ cho tay luôn ấm áp trong quá trình hoạt động và duy trì hoạt động thiết bị và phụ kiện đúng cách.

## LƯU GIỮ CÁC HƯỚNG DẪN NÀY.

**▲CẢNH BÁO: KHÔNG** vì đã thoải mái hay quen thuộc với sản phẩm (có được do sử dụng nhiều lần) mà không tuân thủ nghiêm ngặt các quy định về an toàn dành cho sản phẩm này. **VIỆC DÙNG SAI** hoặc không tuân theo các quy định về an toàn được nêu trong tài liệu hướng dẫn này có thể dẫn đến thương tích cá nhân nghiêm trọng.

## Hướng dẫn quan trọng về an toàn dành cho hộp pin

- Trước khi sử dụng hộp pin, hãy đọc kỹ tất cả các hướng dẫn và dấu hiệu cảnh báo trên (1) bộ sạc pin, (2) pin và (3) sản phẩm sử dụng pin.**
- Không tháo rời hộp pin.**
- Nếu thời gian vận hành ngắn hơn quá mức, hãy ngừng vận hành ngay lập tức.** Điều này có thể dẫn đến rủi ro quá nhiệt, có thể gây bỏng và thậm chí là nổ.
- Nếu chất điện phân rơi vào mắt, hãy rửa sạch bằng nước sạch và đến cơ sở y tế ngay lập tức.** Chất này có thể khiến bạn giảm thị lực.
- Không để hộp pin ở tình trạng đoản mạch:**
  - Không chạm vào cực pin bằng vật liệu dẫn điện.
  - Tránh cất giữ hộp pin trong hộp có các vật kim loại khác như đinh, tiền xu, v.v...
  - Không được để hộp pin tiếp xúc với nước hoặc mưa.**Đoản mạch pin có thể gây ra dòng điện lớn, quá nhiệt, có thể gây bỏng và thậm chí là hỏng hóc.**
- Không cất giữ dụng cụ và hộp pin ở nơi nhiệt độ có thể lên tới hoặc vượt quá 50°C.**
- Không đốt hộp pin ngay cả khi hộp pin đã bị hư hại nặng hoặc hư hỏng hoàn toàn.** Hộp pin có thể nổ khi tiếp xúc với lửa.
- Hãy cẩn trọng không làm rơi hoặc làm méo pin.**
- Không sử dụng pin đã hỏng.**
- Pin nén lithium-ion là đối tượng có yêu cầu bắt buộc theo Luật Hàng hoá Nguy hiểm.**

Đối với vận tải thương mại, ví dụ như vận tải do bên thứ ba, đại lý giao nhận, thì yêu cầu đặc biệt về đóng gói và nhãn ghi phải được giám sát. Để chuẩn bị cho mặt hàng cần vận chuyển, cần phải tham khảo ý kiến chuyên gia về vật liệu nguy hiểm. Nếu được, vui lòng tuân thủ các quy định quốc gia chi tiết hơn.

Buộc hoặc niêm phong các tiếp điểm mở và đóng gói pin theo cách đó để nó không thể di chuyển trong bao bì.
- Khí vút bỏ hộp pin, hãy tháo chúng khỏi dụng cụ và thải bỏ ở nơi an toàn. Phải tuân thủ theo các quy định của địa phương liên quan đến việc thải bỏ pin.**
- Chỉ sử dụng pin cho các sản phẩm Makita chi định.** Lắp pin vào sản phẩm không thích hợp có thể gây ra hỏa hoạn, quá nhiệt, nổ, hoặc rò chất điện phân.

13. Nếu dụng cụ không được sử dụng trong một thời gian dài, cần phải tháo pin ra khỏi dụng cụ.

## LƯU GIỮ CÁC HƯỚNG DẪN NÀY.

**⚠ THẬN TRỌNG:** Chỉ sử dụng pin Makita chính hãng. Việc sử dụng pin không chính hãng Makita, hoặc pin đã được sửa đổi, có thể dẫn đến nổ pin gây ra cháy, thương tích và thiệt hại cá nhân. Nó cũng sẽ làm mất hiệu lực bảo hành của Makita dành cho dụng cụ của Makita và bộ sạc.

## Mẹo duy trì tuổi thọ tối đa cho pin

1. Sạc hộp pin trước khi pin bị xả điện hoàn toàn. Luôn dừng việc vận hành dụng cụ và sạc pin khi bạn nhận thấy công suất dụng cụ bị giảm.
2. Không được phép sạc lại một hộp pin đã được sạc đầy. Sạc quá mức sẽ làm giảm tuổi thọ của pin.
3. Sạc pin ở nhiệt độ phòng 10°C - 40°C. Để cho hộp pin nóng nguội lại dần trước khi sạc pin.
4. Sạc pin sáu tháng một lần nếu bạn không sử dụng dụng cụ trong một thời gian dài (hơn sáu tháng).

## MÔ TẢ CÁC BỘ PHẬN

### ► Hình2

1	Đèn chỉ báo pin	2	Nút Check (kiểm tra)	3	Cần khởi động công tắc
4	Tay cầm phía trên	5	Cần nhả khóa	6	Phần bảo vệ tay phía trước
7	Thanh dẫn hướng	8	Xích cưa	9	Chốt cài dây xích
10	Đai ốc an toàn	11	Vít điều chỉnh xích	12	Hộp pin
13	Đèn nguồn chính	14	Đèn chỉ báo chế độ	15	Công tắc nguồn chính
16	Nắp	17	Vít điều chỉnh (đối với máy bơm dầu)	18	Móc khóa hình chữ nhật
19	Tay cầm phía trước	20	Nắp bình chứa dầu	21	Thanh đệm đỉnh
22	Vỏ bảo vệ thanh dẫn hướng	-	-	-	-

## MÔ TẢ CHỨC NĂNG

**⚠ THẬN TRỌNG:** Luôn đảm bảo rằng đã tắt dụng cụ và tháo hộp pin ra trước khi thực hiện việc điều chỉnh hoặc kiểm tra chức năng trên dụng cụ.

### Lắp hoặc tháo hộp pin

**⚠ THẬN TRỌNG:** Luôn tắt dụng cụ trước khi lắp hoặc tháo hộp pin.

**⚠ THẬN TRỌNG:** Giữ dụng cụ và hộp pin thật chắc khi lắp hoặc tháo hộp pin. Không giữ dụng cụ và hộp pin thật chắc có thể làm trượt chúng khỏi tay và làm hư hỏng dụng cụ và hộp pin hoặc gây thương tích cá nhân.

► Hình3: 1. Đèn chỉ báo màu đỏ 2. Nút 3. Hộp pin

Để tháo hộp pin, vừa trượt pin ra khỏi dụng cụ vừa đẩy trượt nút ở phía trước hộp pin.

Để lắp hộp pin, đặt thẳng hàng phần chốt nhô ra của hộp pin vào phần rãnh nằm trên vỏ và trượt hộp pin vào vị trí. Đưa hộp pin vào cho đến khi chốt khóa vào đúng vị trí với một tiếng "cách" nhẹ. Nếu bạn vẫn còn nhìn thấy đèn chỉ báo màu đỏ ở mặt trên của nút, điều đó có nghĩa là chốt vẫn chưa được khóa hoàn toàn.

**⚠ THẬN TRỌNG:** Luôn lắp hộp pin khớp hoàn toàn vào vị trí cho đến khi không thể nhìn thấy đèn chỉ báo màu đỏ. Nếu không, hộp pin có thể vó tình rơi ra khỏi dụng cụ, gây thương tích cho bạn hoặc người khác xung quanh.

**⚠ THẬN TRỌNG:** Không được dùng sức lắp hộp pin. Nếu hộp pin không nhẹ nhàng trượt vào vị trí, có nghĩa là pin vẫn chưa được lắp đúng.

## Chỉ báo dung lượng pin còn lại

► **Hình4:** 1. Đèn chỉ báo pin 2. Nút Check (kiểm tra)  
 Ấn nút Check (kiểm tra) để chỉ báo dung lượng pin còn lại. Đèn chỉ báo pin tương ứng với từng loại pin.

Trạng thái đèn chỉ báo pin			Dung lượng pin còn lại
Bật	Tắt	Nhấp nháy	
			50% đến 100%
			20% đến 50%
			0% đến 20%
			Sạc pin

## Chỉ báo dung lượng pin còn lại

Chỉ dành cho hộp pin có đèn chỉ báo

► **Hình5:** 1. Các đèn chỉ báo 2. Nút Check (kiểm tra)  
 Ấn nút check (kiểm tra) trên hộp pin để chỉ báo dung lượng pin còn lại. Các đèn chỉ báo bật sáng lên trong vài giây.

Các đèn chỉ báo			Dung lượng còn lại
Bật sáng	Tắt	Nhấp nháy	
			75% đến 100%
			50% đến 75%
			25% đến 50%
			0% đến 25%
			Sạc pin.
			Pin có thể đã bị hỏng.

**LƯU Ý:** Tùy thuộc vào các điều kiện sử dụng và nhiệt độ xung quanh, việc chỉ báo có thể khác biệt một chút so với dung lượng thực sự.

## Hệ thống bảo vệ dụng cụ / pin

Dụng cụ này được trang bị hệ thống bảo vệ dụng cụ / pin. Hệ thống này sẽ tự động ngắt nguồn điện đến động cơ để kéo dài tuổi thọ dụng cụ và pin. Dụng cụ sẽ tự động dừng vận hành khi dụng cụ hoặc pin ở một trong những trường hợp sau đây:

### Bảo vệ quá tải

Khi vận hành pin trong điều kiện làm máy tiêu tốn dòng cao bất thường, dụng cụ sẽ tự động dừng lại và đèn nguồn chính màu xanh lá cây sẽ nhấp nháy. Trong trường hợp này, hãy tắt dụng cụ và ngừng ứng dụng làm cho dụng cụ trở nên quá tải. Sau đó bật dụng cụ lên để khởi động lại.

### Bảo vệ quá nhiệt

Khi bị quá nhiệt, dụng cụ hoặc pin sẽ tự động dừng và đèn nguồn chính màu đỏ sẽ nhấp nháy. Trong trường hợp này, hãy để dụng cụ và pin nguội trước khi bật dụng cụ lại.

**LƯU Ý:** Trong môi trường nhiệt độ cao, thiết bị bảo vệ quá nhiệt có khả năng hoạt động khiến dụng cụ dừng tự động.

### Bảo vệ xả điện quá mức

Khi dung lượng pin không đủ, dụng cụ sẽ tự động dừng và đèn nguồn chính màu đỏ sẽ nhấp nháy. Trong trường hợp này, hãy tháo pin khỏi dụng cụ và sạc pin lại.

## Công tắc nguồn chính

**⚠ CẢNH BÁO:** Luôn luôn tắt công tắc nguồn chính khi không sử dụng.

Để bật dụng cụ, nhấn công tắc nguồn chính cho đến khi đèn nguồn chính màu xanh lá cây sáng lên. Để tắt nguồn, nhấn công tắc nguồn chính lần nữa.

► **Hình6:** 1. Đèn nguồn chính 2. Đèn chỉ báo chế độ 3. Công tắc nguồn chính

**LƯU Ý:** Đèn nguồn chính màu xanh lá cây nhấp nháy nếu cần khởi động công tắc bị kéo trong tình trạng không hoạt động. Đèn nhấp nháy ở một trong các tình trạng sau đây.

- Khi bạn vừa bật công tắc nguồn chính vừa giữ cần nhả khóa và cần khởi động công tắc.
- Khi bạn vừa kéo cần khởi động công tắc vừa gạt phanh của dây xích.
- Khi bạn vừa thả phanh của dây xích ra vừa giữ cần nhả khóa và kéo cần khởi động công tắc.

**LƯU Ý:** Dụng cụ này sử dụng chức năng tắt nguồn tự động. Để tránh việc khởi động ngoài ý muốn, công tắc nguồn chính sẽ tự động tắt khi cần khởi động công tắc không được kéo trong một khoảng thời gian nhất định sau khi công tắc nguồn chính được bật lên.

Bạn có thể sử dụng dụng cụ trong chế độ Tăng mô-men xoắn để cắt cành cây to hoặc cứng. Để sử dụng dụng cụ này ở chế độ Tăng mô-men xoắn, khi tắt dụng cụ, nhấn công tắc nguồn chính khoảng vài giây cho đến khi đèn chỉ báo chế độ màu xanh lá sáng lên.

**LƯU Ý:** Bạn có thể sử dụng dụng cụ trong chế độ tăng mô-men xoắn lên đến 60 giây. Tùy thuộc vào điều kiện sử dụng, chế độ này sẽ chuyển về chế độ bình thường dưới 60 giây.

**LƯU Ý:** Nếu đèn chỉ báo chế độ màu xanh lá nhấp nháy khi bạn nhấn công tắc nguồn chính trong vài giây, chế độ Tăng mô-men xoắn sẽ không khả dụng. Trong trường hợp này, tuân thủ các bước dưới đây.

- Chế độ Tăng mô-men xoắn không khả dụng ngay sau thao tác cắt. Đợi hơn 10 giây, và sau đó nhấn lại công tắc nguồn chính một lần nữa trong vài giây.
- Nếu bạn sử dụng chế độ Tăng mô-men xoắn nhiều lần, việc sử dụng chế độ Tăng mô-men xoắn sẽ bị hạn chế để bảo vệ pin. Nếu chế độ Tăng mô-men xoắn không khả dụng sau khi chờ hơn 10 giây, hãy thay hộp pin bằng pin đã sạc đầy hoặc sạc lại hộp pin.

**LƯU Ý:** Nếu đèn nguồn chính màu đỏ sáng lên hoặc nhấp nháy màu đỏ hoặc xanh lá cây, hãy tham khảo hướng dẫn dành cho hệ thống bảo vệ dụng cụ/pin.

## Hoạt động công tắc

**⚠ CẢNH BÁO:** Để bạn được an toàn, dụng cụ này đều được trang bị cần nhà khóa nhằm ngăn ngừa vô ý khởi động dụng cụ. **KHÔNG BAO GIỜ** sử dụng công cụ bằng cách chỉ kéo cần khởi động công tắc mà không nhấn cần nhà khóa. Hãy trả dụng cụ lại cho một trung tâm dịch vụ được ủy quyền của chúng tôi để sửa chữa phù hợp **TRƯỚC KHI** sử dụng tiếp sau này.

**⚠ CẢNH BÁO:** **KHÔNG BAO GIỜ** dán chặt xuống hoặc vô hiệu mục đích và chức năng của cần nhà khóa.

**⚠ THẬN TRỌNG:** Trước khi lắp hộp pin vào dụng cụ, luôn luôn kiểm tra xem cần khởi động công tắc có hoạt động bình thường hay không và trả về vị trí “OFF” (TẮT) khi nhà ra.

**CHÚ Ý:** Không được kéo cần khởi động công tắc mà không nhấn cần nhà khóa. Điều này có thể làm gãy nứt công tắc.

Để ngăn ngừa vô tình kéo cần khởi động công tắc, dụng cụ được trang bị một cần nhà khóa. Để khởi động dụng cụ, nhà cần nhà khóa và kéo cần khởi động công tắc. Tốc độ dụng cụ được tăng lên bằng cách tăng lực ép lên cần khởi động công tắc. Nhà cần khởi động công tắc ra để dừng.

► **Hình7:** 1. Cần khởi động công tắc 2. Cần nhà khóa

## Kiểm tra phanh của dây xích

**⚠ THẬN TRỌNG:** Giữ máy cưa xích bằng hai tay khi bật máy. Giữ tay cầm phía trên bằng tay phải, tay cầm phía trước bằng tay trái. Thanh dẫn hướng và dây xích không được tiếp xúc với bất kỳ vật thể nào.

**⚠ THẬN TRỌNG:** Nếu xích cưa không dừng ngay lập tức khi thực hiện kiểm tra này, máy cưa có thể không sử dụng được dưới bất kỳ hình thức nào. Tham khảo ý kiến của trung tâm dịch vụ được ủy quyền.

1. Nhấn cần nhà khóa, sau đó kéo cần khởi động công tắc. Xích cưa khởi động ngay lập tức.

2. Đẩy bàn đệm tay trước về phía trước bằng mu bàn tay của bạn. Đảm bảo rằng máy cưa xích dừng ngay lập tức.

► **Hình8:** 1. Phần bảo vệ tay phía trước 2. Vị trí mở khóa 3. Vị trí khóa

## Kiểm tra thắng chạy xuống

**⚠ THẬN TRỌNG:** Nếu xích cưa không dừng lại trong vòng hai giây trong phần kiểm tra này, dừng việc sử dụng máy cưa xích và tham khảo ý kiến của trung tâm dịch vụ được ủy quyền.

Chạy máy cưa xích rồi nhà hoàn toàn cần khởi động công tắc. Xích cưa phải dừng lại trong vòng hai giây.

## Điều chỉnh tra dầu mỡ dây xích

Bạn có thể điều chỉnh mức độ cung cấp của máy bơm dầu bằng cách sử dụng máy vặn ốc vạn năng để điều chỉnh vít. Lượng dầu có thể được điều chỉnh trong 3 bước. Mỡ nắp để điều chỉnh vít điều chỉnh.

► **Hình9:** 1. Nắp 2. Vít điều chỉnh

## Móc khóa hình chữ nhật (móc gắn dây thừng)

Bạn có thể treo dụng cụ bằng cách gắn dây thừng vào móc khóa hình chữ nhật. Kéo móc khóa hình chữ nhật ra, sau đó buộc chặt móc bằng dây thừng.

► **Hình10:** 1. Móc khóa hình chữ nhật

## Chức năng điện tử

Dụng cụ này được trang bị các chức năng điện tử để dễ dàng vận hành.

- Điều khiển tốc độ không đổi  
Chức năng điều khiển tốc độ cung cấp tốc độ quay không đổi bất kể điều kiện tải.

# LẮP RÁP

**⚠ THẬN TRỌNG:** Luôn đảm bảo rằng đã tắt dụng cụ và tháo hộp pin ra trước khi thực hiện bất cứ thao tác nào trên dụng cụ.

**⚠ THẬN TRỌNG:** Không chạm vào xích cửa bằng tay trần. Luôn mang găng tay khi xử lý xích cửa.

## Tháo hoặc lắp xích cửa

**⚠ THẬN TRỌNG:** Xích cửa và thanh dẫn hướng vẫn còn nóng ngay sau khi hoạt động. Để chúng giảm nhiệt xuống vừa đủ trước khi tiến hành bất kỳ công việc nào trên dụng cụ.

**⚠ THẬN TRỌNG:** Tiến hành quy trình lắp đặt hoặc tháo xích cửa ở nơi thoáng mát không có bụi bẩn và những nơi tương tự.

Để tháo xích cửa, hãy thực hiện các bước sau:

1. Nhả phanh xích bằng cách kéo phần bảo vệ tay phía trước ra.
  2. Nới lỏng vít điều chỉnh xích cửa, rồi đến đai ốc an toàn.
- **Hình11:** 1. Vít điều chỉnh xích 2. Đai ốc an toàn
3. Tháo vỏ bảo vệ đĩa xích rồi tháo xích cửa và thanh dẫn hướng khỏi thân máy cửa xích.

Để lắp xích cửa, hãy thực hiện các bước sau:

1. Kiểm tra hướng của xích cửa. Căn hướng của xích cửa trùng với hướng của điểm đánh dấu trên thân máy cửa xích.
  2. Lắp phần cuối của xích cửa lên đỉnh của thanh dẫn hướng.
  3. Lắp phần đầu khác của xích cửa quanh đĩa xích, sau đó gắn thanh dẫn hướng vào thân máy cửa xích, căn chỉnh lỗ trên thanh dẫn hướng khớp với chốt trên thân máy.
- **Hình12:** 1. Đĩa xích 2. Lỗ
4. Lắp phần nhô ra và phần chốt trên vỏ bảo vệ đĩa xích vào thân máy cửa xích, sau đó đóng nắp vỏ để bu-lông và chốt trên thân máy khớp với nhau trên nắp vỏ.
- **Hình13:** 1. Phần nhô ra 2. Vỏ bảo vệ đĩa xích 3. Bu-lông 4. Chốt
5. Vận chặt đai ốc an toàn để cố định vỏ bảo vệ đĩa xích, sau đó nới lỏng một chút để điều chỉnh lực căng.
- **Hình14:** 1. Đai ốc an toàn

## Điều chỉnh lực căng xích cửa

**⚠ THẬN TRỌNG:** Không vận chặt xích cửa quá mức. Lực căng của xích cửa quá cao có thể làm đứt xích cửa và mòn thanh dẫn hướng.

**⚠ THẬN TRỌNG:** Một dây xích quá lỏng có thể rớt ra khỏi thanh dẫn hướng và nó có thể gây ra tai nạn chấn thương.

Xích cửa có thể trở nên lỏng lẻo sau nhiều giờ sử dụng. Thỉnh thoảng kiểm tra lực căng xích cửa trước khi sử dụng.

1. Nhả phanh xích bằng cách kéo phần bảo vệ tay phía trước ra.

2. Nới lỏng đai ốc an toàn một chút để nới nhẹ vỏ bảo vệ đĩa xích.

► **Hình15:** 1. Đai ốc an toàn

3. Nâng thanh dẫn hướng lên một chút và điều chỉnh lực căng dây xích. Xoay vít điều chỉnh xích theo chiều kim đồng hồ để vận chặt, xoay ngược chiều kim đồng hồ để nới lỏng.

**ĐỐI VỚI LƯỚI CỬA ĐĨA DÂY XÍCH 90PX VÀ 91PX:**

Vận chặt xích cửa cho đến khi bên thấp hơn của xích cửa vừa khít với thanh dẫn hướng như hình minh họa.

► **Hình16:** 1. Thanh dẫn hướng 2. Xích cửa 3. Vít điều chỉnh xích

**ĐỐI VỚI LƯỚI CỬA ĐĨA DÂY XÍCH 25AP:**

Siết chặt xích cửa để khoảng trống giữa phần trung tâm của thanh dẫn hướng bên thấp hơn và xích cửa xấp xỉ 1 mm đến 2 mm.

4. Tiếp tục giữ nhẹ thanh dẫn hướng và vận chặt vỏ bảo vệ đĩa xích.

**ĐỐI VỚI LƯỚI CỬA ĐĨA DÂY XÍCH 90PX VÀ 91PX:**

Đảm bảo xích cửa không bị lỏng ở bên thấp hơn.

**ĐỐI VỚI LƯỚI CỬA ĐĨA DÂY XÍCH 25AP:**

Đảm bảo khoảng trống giữa phần trung tâm của thanh dẫn hướng bên thấp hơn và xích cửa xấp xỉ 1 mm đến 2 mm.

5. Vận chặt đai ốc khóa để cố định vỏ bảo vệ đĩa xích.

► **Hình17:** 1. Đai ốc an toàn

# VẬN HÀNH

## Tra dầu mỡ

Xích cửa sẽ được tra dầu tự động khi dụng cụ vận hành. Kiểm tra lượng dầu còn lại trong bình chứa dầu định kỳ thông qua lỗ nhìn mức dầu.

Để làm đầy lại bình, đặt máy cửa xích ngửa lên trên, rồi đẩy nắp bình chứa dầu ra, và sau đó tháo nắp bình chứa dầu. Lượng dầu thích hợp là 200 ml. Sau khi nạp lại bình, đảm bảo đã gắn chặt nắp bình chứa dầu.

► **Hình18:** 1. Nắp bình chứa dầu 2. Lỗ nhìn mức dầu

Sau khi làm đầy lại, giữ cho máy cửa xích tránh xa khỏi cây. Khởi động máy và chờ cho đến khi đủ dầu bôi trơn trên xích cửa.

► **Hình19**

**CHÚ Ý:** Khi nạp dầu xích lần đầu tiên, hoặc làm đầy lại bình sau khi đã bị dọn sạch hoàn toàn, hãy thêm dầu lên đến cạnh đáy của cổ bình lọc. Nếu không, việc cung cấp dầu có thể bị ảnh hưởng.

**CHÚ Ý:** Chỉ sử dụng dầu xích cửa cho máy cửa xích Makita hoặc loại dầu tương đương có trên thị trường.

**CHÚ Ý:** Không bao giờ sử dụng dầu chứa bụi và các hạt bụi hoặc dầu dễ bay hơi.

**CHÚ Ý:** Khi cắt tia cây, hãy sử dụng dầu thực vật. Dầu mỏ có thể gây hại cho cây.

**CHÚ Ý:** Trước khi vận hành cắt, đảm bảo rằng nắp bình dầu được cung cấp đã gắn chặt đúng vị trí.

## LÀM VIỆC VỚI MÁY CỬA XÍCH

**⚠ THẬN TRỌNG:** Lần đầu tiên người sử dụng nên, như việc thực hành tối thiểu, dọn các khúc gỗ trên giá cửa hoặc bệ đỡ.

**⚠ THẬN TRỌNG:** Khi cửa gỗ xẻ, hãy dùng dụng cụ hỗ trợ an toàn (giá cửa hoặc bệ đỡ máy cửa). Không được để phối gia công lên chân của bạn, và không cho bất kỳ ai khác giữ hay để chân lên nó.

**⚠ THẬN TRỌNG:** Đảm bảo các mảnh tròn chống khoan.

**⚠ THẬN TRỌNG:** Giữ mọi phần của cơ thể tránh xa khỏi xích cửa khi động cơ đang hoạt động.

**⚠ THẬN TRỌNG:** Giữ chặt máy cửa xích bằng cả hai tay khi động cơ đang hoạt động.

**⚠ THẬN TRỌNG:** Không với quá cao. Luôn giữ thăng bằng tốt và có chỗ để chân phù hợp.

**CHÚ Ý:** Không bao giờ được buông hay làm rơi dụng cụ.

**CHÚ Ý:** Không bịt khe thông khí của dụng cụ.

## Cắt tia cây

Mang thân máy cửa xích tiếp xúc với phần nhánh cần cắt trước khi bật máy. Nếu không thì nó có thể khiến thanh dẫn hướng bị rung, dẫn đến làm người vận hành bị thương. Cửa gỗ cần cắt chỉ bằng cách di chuyển xuống nhờ sử dụng Khối lượng của máy cửa xích.

► Hình20

Nếu bạn không thể đón gỗ chỉ với một lần cửa:

Tác động áp lực nhẹ lên tay cầm và tiếp tục cửa và kéo lùi máy cửa xích từng chút một.

► Hình21

Khi cắt cành cây lớn, trước tiên hãy cắt phần cây dưới thấp, sau đó mới cắt đến ngọn.

► Hình22

Nếu bạn cố gắng cắt những cành cây to từ phía dưới cùng, thì cành cây có thể làm kẹt xích cửa khi cắt. Nếu bạn cố gắng cắt những cành dày từ trên đỉnh xuống mà không cắt từ dưới thấp, cành cây có thể bị vỡ từng mảnh.

► Hình23

## Nghiên quặng

1. Cho thân máy cửa xích tựa trên phần gỗ cần cắt.

► Hình24

2. Khi xích cửa đang chạy, cửa vào phần gỗ khi đang sử dụng tay cầm phía trên để nâng máy cửa và tay cầm phía trước để lái nó.

3. Tiếp tục cắt bằng cách áp một lực nén nhẹ lên tay cầm phía trên, nơi lồng lưỡi cửa một chút.

**CHÚ Ý:** Sau khi tạo nhiều vết cắt, tắt máy cửa xích giữa những nhát cắt.

**⚠ THẬN TRỌNG:** Nếu phần cạnh trên của thanh dẫn được dùng cho việc cắt, máy cửa xích có thể bị chệch hướng của bạn nếu dây xích bị mắc kẹt. Vì lý do này, dọn phần cạnh dưới trước, để mà máy cửa sẽ không bị chệch hướng khỏi người bạn.

► Hình25

Khi bạn đón gỗ dưới lực căng, cắt bên được nén (A) trước. Sau đó cắt nhất cuối cùng ở bên được kéo căng (B). Điều này ngăn cho thanh dẫn hướng không bị mắc kẹt.

► Hình26

## Ria

**⚠ THẬN TRỌNG:** Chỉ những người lành nghề mới thực hiện được phần ria. Nguy cơ bật ngược có thể gây ra nguy hiểm.

Khi cắt ria, đặt máy cửa xích trên thân cây nếu có thể. Không đón bằng phần đầu của thanh, vì điều này sẽ gây nguy cơ bật ngược.

Chú ý đặc biệt vào các nhánh cây chịu lực căng. Không cắt những nhánh chưa được hỗ trợ từ phía dưới. Không đứng trên những thân cây bị đón ngã khi cắt phần ria.

## Di chuyển dụng cụ

Trước khi mang dụng cụ, luôn luôn gắn phanh của dây xích vào và tháo bỏ hộp pin khỏi dụng cụ. Sau đó cố định vỏ bảo vệ thanh dẫn hướng. Che luôn phần hộp pin bằng nắp dây pin.

► Hình27: 1. Vỏ bảo vệ thanh dẫn hướng 2. Nắp dây pin



# BẢO TRÌ

**⚠ THẬN TRỌNG:** Hãy luôn chắc chắn rằng dụng cụ đã được tắt và hộp pin đã được tháo ra trước khi cố gắng thực hiện việc kiểm tra hay bảo dưỡng.

**⚠ THẬN TRỌNG:** Mang găng tay khi thực hiện kiểm tra hoặc bảo dưỡng.

**CHÚ Ý:** Không được phép dùng xăng, ết xăng, dung môi, cồn hoặc hóa chất tương tự. Có thể xảy ra hiện tượng mất màu, biến dạng hoặc nứt vỡ.

Để đảm bảo ĐỘ AN TOÀN và ĐỘ TIN CẬY của sản phẩm, việc sửa chữa hoặc bất cứ thao tác bảo trì, điều chỉnh nào đều phải được thực hiện bởi các Trung tâm Dịch vụ Nhà máy hoặc Trung tâm được Makita Ủy quyền và luôn sử dụng các phụ tùng thiết bị thay thế của Makita.

## Mài xích cưa

**Mài xích cưa khi:**

- Bột mịn cưa được sinh ra khi cắt gỗ ẩm mục;
- Dây xích sẽ khó xuyên qua gỗ, ngay cả khi ép lực nén mạnh;
- Mép cắt hiển nhiên rất nguy hiểm;
- Máy cưa kéo về bên trái hay bên phải trong gỗ. (gây ra bởi xích cưa bị mài không đều hoặc chỉ hư hỏng một bên)

Mài xích cưa thường xuyên nhưng mỗi lần chỉ mài một chút. Hai hay ba nhất giữa thường là đủ cho thói quen mài đĩa. Khi xích cưa bị mài lại nhiều lần, hãy nhờ trung tâm dịch vụ được ủy quyền để mài lại nó.

**Các tiêu chuẩn mài đĩa:**

**⚠ CẢNH BÁO:** Khoảng cách dư giữa mép cắt và thanh đo sâu làm tăng nguy cơ bật ngược.

► **Hình28:** 1. Chiều dài máy cắt 2. Khoảng cách giữ mép cắt và thanh đo sâu 3. Chiều dài lưỡi cắt tối thiểu (3 mm)

- Tất cả chiều dài lưỡi cắt phải bằng nhau. Chiều dài lưỡi cắt khác nhau ngăn xích cưa vận hành trôi chảy và có thể làm xích cưa gãy.
- Không được mài dây xích khi chiều dài lưỡi cưa chạm ngưỡng 3 mm hay ngắn hơn. Dây xích phải được thay dây mới.
- Độ dày vụn bào được quyết định bởi khoảng cách giữa thanh đo sâu (mũi tròn) và mép cắt.
- Kết quả cắt tốt nhất đạt được với những khoảng cách giữa mép cắt và đế sâu sau đây.
  - Lưỡi cưa đĩa dây xích 90PX : 0,65 mm
  - Lưỡi cưa đĩa dây xích 91PX : 0,65 mm
  - Lưỡi cưa đĩa dây xích 25AP : 0,65 mm

► **Hình29**

- Góc mài 30° phải giống với mọi lưỡi cắt. Góc mài khác nhau làm dây xích vận hành gõ gè và xù xì, tăng độ mòn, và dẫn đến gãy dây xích.

- Sử dụng giữa tròn thích hợp để góc mài đúng được giữ tránh xa răng.
  - Lưỡi cưa đĩa dây xích 90PX : 55°
  - Lưỡi cưa đĩa dây xích 91PX : 55°
  - Lưỡi cưa đĩa dây xích 25AP : 55°

**Giữa và hướng giữa**

- Sử dụng một cái giữa tròn đặc biệt (phụ kiện tùy chọn) cho xích cưa để mài dây xích. Giữa tròn thông thường không thích hợp.
- Đường kính giữa tròn cho từng xích cưa như sau:
  - Lưỡi cưa đĩa dây xích 90PX : 4,5 mm
  - Lưỡi cưa đĩa dây xích 91PX : 4,0 mm
  - Lưỡi cưa đĩa dây xích 25AP : 4,0 mm
- Giữa chỉ nên gài vào lưỡi cưa trên những nhát chém tới. Nâng giữa lên lưỡi cưa trên nhát chém lùi.
- Mài lưỡi cưa ngắn nhất trước. Sau đó chiều dài của lưỡi cắt ngắn nhất trở thành tiêu chuẩn của tất cả các lưỡi cắt còn lại trên xích cưa.
- Dẫn hướng giữa như trình bày trong hình.

► **Hình30:** 1. Giữa 2. Xích cưa

- Giữa có thể được lái một cách dễ dàng nếu giá đỡ giữa (phụ kiện tùy chọn) được sử dụng. Giá đỡ giữa có đánh dấu cho góc mài chính xác 30° (cân chỉnh đầu song song với xích cưa) và giới hạn độ xuyên sâu (đến 4/5 đường kính giữa).

► **Hình31:** 1. Giá đỡ giữa

- Sau khi mài dây xích, kiểm tra chiều cao của thanh đo sâu bằng cách sử dụng dụng cụ đo dây xích (phụ kiện tùy chọn).

► **Hình32**

- Tháo bỏ bất kỳ vật liệu nào nhỏ ra, dù nhỏ đến cỡ nào, bằng một cái giữa phẳng đặc biệt (phụ kiện tùy chọn).
- Đeo tròn mặt trước của thanh đo sâu lần nữa.

## Lau sạch thanh dẫn hướng

Mạt cưa và vụn bào sẽ đắp nổi trong các rãnh thanh dẫn hướng. Chúng có thể làm kẹt rãnh thanh dẫn hướng và làm suy yếu dòng chảy của dầu. Lau sạch mặt cưa và vụn bào mỗi lần khi bạn mài hay thay xích cưa.

► **Hình33**

## Lau sạch vỏ bảo vệ đĩa xích

Mạt cưa và vụn bào sẽ tích tụ bên trong đĩa xích. Tháo đĩa xích và xích cưa khỏi dụng cụ sau đó làm sạch mặt cưa và vụn bào.

► **Hình34**

## Làm sạch ống thải dầu

Các hạt bụi hay li ti có thể đắp nổi trong ống thải dầu trong lúc hoạt động. Các hạt và bụi li ti này có thể làm suy yếu dòng chảy của dầu và gây ra việc tra dầu mỡ không đủ trên toàn bộ xích cưa. Khi việc phân phối dầu dây xích yếu kém xảy ra trên đầu thanh dẫn hướng, làm sạch ống thải dầu theo các bước sau.

1. Tháo đĩa xích và xích cưa khỏi dụng cụ.

2. Tháo bỏ các hạt và bụi li ti bằng cách dùng máy vụn vít mũi dẹp hay dụng cụ tương tự.
- **Hình35:** 1. Máy bắt vít có rãnh 2. Ống thổi dầu
3. Lắp hộp pin vào dụng cụ. Kéo cần khởi động công tắc để phun bụi hay mặt vụn tích tụ ra khỏi ống thổi dầu bằng cách đổ hết dầu dây xích.
4. Tháo hộp pin ra khỏi dụng cụ. Tái lắp đặt đĩa xích và xích cửa trên dụng cụ.

## Thay thế vỏ bảo vệ đĩa xích

**⚠ THẬN TRỌNG:** Đĩa xích bị mòn sẽ làm hư hại xích cửa mới. Thay thế đĩa xích trong trường hợp này.

Trước khi vật khí xích cửa mới, kiểm tra tình trạng của đĩa xích.

- **Hình36:** 1. Đĩa xích 2. Khu vực bị mòn

## Hướng dẫn bảo dưỡng định kỳ

Để đảm bảo tuổi thọ lâu dài, phòng ngừa hư hỏng và đảm bảo chức năng của các tính năng an toàn được đầy đủ, phải thường xuyên thực hiện công việc bảo dưỡng sau đây. Các tuyên bố về bảo hành chỉ có thể được công nhận khi công việc này được thực hiện thường xuyên và đúng cách. Không thực hiện công việc bảo dưỡng theo quy định có thể dẫn đến tai nạn! Người sử dụng máy cưa xích không được thực hiện công việc bảo trì không được mô tả trong tài liệu hướng dẫn. Tất cả các công việc này phải được tiến hành bởi trung tâm dịch vụ được ủy quyền.

Phần kiểm tra / Giờ vận hành		Trước khi vận hành	Mỗi ngày	Mỗi tuần	Mỗi 3 tháng	Hàng năm	Trước khi cất giữ
Cửa xích	Kiểm tra.	✓	-	-	-	-	-
	Vệ sinh.	-	✓	-	-	-	-
	Kiểm tra tại trung tâm dịch vụ ủy quyền.	-	-	-	-	✓	✓
Xích cửa	Kiểm tra.	✓	-	-	-	-	-
	Mài đĩa nếu cần thiết.	-	-	-	-	-	✓
Thanh dẫn hướng	Kiểm tra.	✓	✓	-	-	-	-
	Tháo dỡ khỏi máy cưa xích.	-	-	-	-	-	✓
Phanh cửa dây xích	Kiểm tra các chức năng.	✓	-	-	-	-	-
	Nhờ trung tâm dịch vụ được ủy quyền để kiểm tra máy định kỳ.	-	-	-	✓	-	-
Tra dầu mỡ cho dây xích	Kiểm tra mức cung cấp dầu.	✓	-	-	-	-	-
Cần khởi động công tắc	Kiểm tra.	✓	-	-	-	-	-
Cần nhà khóa	Kiểm tra.	✓	-	-	-	-	-
Nạp bình chứa dầu	Kiểm tra độ khí.	✓	-	-	-	-	-
Chốt cài dây xích	Kiểm tra.	-	-	✓	-	-	-
Trục vít và đai ốc	Kiểm tra.	-	-	✓	-	-	-

Luôn luôn vận khí vòng khóa khi thay thế đĩa xích.

- **Hình37:** 1. Vòng khóa 2. Đĩa xích

**CHÚ Ý:** Đảm bảo đĩa xích được lắp đặt theo như chỉ dẫn trong hình.

## Cất giữ dụng cụ

1. Làm sạch dụng cụ trước khi cất giữ. Loại bỏ bất kỳ hạt bụi hay vụn bào nào khỏi dụng cụ sau khi tháo bỏ vỏ bảo vệ đĩa xích.
2. Sau khi làm sạch dụng cụ, không vận hành nó dưới chế độ không tải để tra dầu mỡ cho xích cửa và thanh dẫn hướng.
3. Bao bọc thanh dẫn hướng bằng bộ bảo vệ thanh dẫn hướng.
4. Làm rỗng bình chứa dầu.



# XỬ LÝ SỰ CỐ

Trước khi yêu cầu sửa chữa, đầu tiên hãy tự tiến hành kiểm tra của riêng bạn. Nếu bạn phát hiện vấn đề nào đó không được giải thích trong sách hướng dẫn sử dụng này, đừng cố tháo dỡ dụng cụ. Thay vào đó, hãy nhờ Trung tâm dịch vụ Makita được ủy quyền, luôn sử dụng bộ phận thay thế của Makita để sửa chữa.

Tình trạng nguy hiểm	Nguyên nhân	Hành động
Máy cưa xích không hoạt động.	Không lắp hộp pin.	Lắp hộp pin đã được sạc đầy.
	Vấn đề pin (điện áp thấp).	Sạc pin lại cho hộp pin. Nếu sạc pin lại không hiệu quả, thay thế hộp pin.
	Công tắc nguồn chính đã tắt.	Máy cưa xích tự động tắt nếu không hoạt động trong một thời gian nhất định. Mở công tắc nguồn chính lần nữa.
Xích cưa không chạy.	Đã kích hoạt phanh của dây xích.	Nhả phanh của dây xích.
Động cơ ngừng chạy sau khi ít sử dụng đến.	Mức sạc pin thấp.	Sạc pin lại cho hộp pin. Nếu sạc pin lại không hiệu quả, thay thế hộp pin.
Không có dầu trên dây xích.	Bình chứa dầu rỗng.	Đổ đầy bình chứa dầu.
	Rãnh dẫn dầu dơ.	Lau sạch rãnh.
	Phân phối dầu yếu.	Điều chỉnh lượng phân phối dầu bằng trục hiệu chỉnh.
Máy cưa xích không đạt RPM tối đa.	Hộp pin được lắp đúng cách.	Lắp hộp pin như mô tả trong sách hướng dẫn này.
	Nguồn pin bị tụt áp.	Sạc pin lại cho hộp pin. Nếu sạc pin lại không hiệu quả, thay thế hộp pin.
	Hệ thống truyền động không làm việc đúng cách.	Hãy hỏi trung tâm bảo trì được ủy quyền ở khu vực của bạn để được yêu cầu sửa chữa.
Đèn nguồn chính màu xanh đang nhấp nháy.	Cần khởi động công tắc được kéo dưới điều kiện không thể hoạt động.	Kéo cần khởi động công tắc sau khi công tắc nguồn chính được bật lên và phanh của dây xích được nhả ra.
Dây xích không dừng lại ngay cả khi đã kích hoạt phanh của dây xích: <b>Ngừng máy ngay lập tức!</b>	Dây đai phanh đang mòn dần.	Hãy hỏi trung tâm bảo trì được ủy quyền ở khu vực của bạn để được yêu cầu sửa chữa.
Rung bất thường: <b>Ngừng máy ngay lập tức!</b>	Nới lỏng thanh dẫn hướng hoặc xích cưa.	Điều chỉnh thanh dẫn hướng và lực căng xích cưa.
	Lỗi dụng cụ.	Hãy hỏi trung tâm bảo trì được ủy quyền ở khu vực của bạn để được yêu cầu sửa chữa.
Chế độ Tăng mô-men xoắn không khả dụng sau khi thay hộp pin đã sạc đầy.	Tùy thuộc vào điều kiện sử dụng, chế độ Tăng mô-men xoắn sẽ không khả dụng sau khi thay thế hộp pin.	Sử dụng dụng cụ ở chế độ thông thường cho đến khi hộp pin đã lắp đã hết, và sau đó thay hộp pin bằng một hộp pin đã sạc đầy hoặc sạc lại hộp pin.
Không thể lắp đặt xích cưa.	Kết hợp giữa xích cưa và đĩa xích không chính xác.	Sử dụng kết hợp xích cưa và đĩa xích đúng bằng cách tham khảo phần thông số kỹ thuật.

## PHỤ KIỆN TỰ CHỌN

**⚠ THẬN TRỌNG:** Các phụ kiện hoặc phụ tùng gắn thêm này được khuyến cáo sử dụng với dụng cụ Makita của bạn theo như quy định trong hướng dẫn này. Việc sử dụng bất cứ phụ kiện hoặc phụ tùng thêm nào khác đều có thể gây ra rủi ro thương tích cho người. Chỉ sử dụng phụ kiện hoặc phụ tùng gắn thêm cho mục đích đã quy định sẵn của chúng.

Nếu bạn cần bất kỳ sự hỗ trợ nào để biết thêm chi tiết về các phụ tùng này, hãy hỏi Trung tâm Dịch vụ của Makita tại địa phương của bạn.

- Xích cưa

- Thanh dẫn hướng
- Vỏ bảo vệ thanh dẫn hướng
- Đĩa xích
- Giữa
- Pin và bộ sạc chính hãng của Makita

**⚠ CẢNH BÁO:** Nếu bạn mua một thanh dẫn hướng có chiều dài khác thanh dẫn hướng chuẩn, và mua cùng với vỏ bảo vệ thanh dẫn hướng phù hợp. Nó phải vừa khít và hoàn toàn bao bọc thanh dẫn hướng trên máy cưa xích.

**LƯU Ý:** Một số mục trong danh sách có thể được bao gồm trong gói dụng cụ làm phụ kiện tiêu chuẩn. Các mục này ở mỗi quốc gia có thể khác nhau.

## ข้อมูลจำเพาะ

รุ่น:	DUC256	DUC306	DUC356	DUC406	DUC256C
ความยาวโดยรวม (โดยไม่มีแผ่นบังคับโซ่)	270 mm				
แรงดันไฟฟ้าสูงสุด	D.C. 36 V				
น้ำหนักสุทธิ	4.6 - 4.8 kg	4.7 - 4.9 kg	4.8 - 5.0 kg	4.8 - 5.1 kg	4.6 - 4.7 kg
ความยาวของแผ่นบังคับโซ่มาตรฐาน	250 mm	300 mm	350 mm	400 mm	250 mm
ความยาวของแผ่นบังคับโซ่ที่แนะนำ	สำหรับ 90PX	250 - 400 mm			-
	สำหรับ 91PX	250 - 400 mm			-
	สำหรับ 25AP	-			250 mm
ประเภทของโซ่เดี่ยวที่ใช้ได้ (โปรดดูรายละเอียดในตารางด้านล่าง)	90PX 91PX			25AP	
เฟืองโซ่มาตรฐาน	จำนวนซี่ฟันเฟือง	6			9
	ระยะพิชชียอดฟัน	3/8"			1/4"
ความเร็วของโซ่	0 - 20 m/s (0 - 1,200 m/min)				
ปริมาตรถังน้ำมันของโซ่	200 cm <sup>3</sup>				

- เนื่องจากการค้นคว้าวิจัยและพัฒนาอย่างต่อเนื่อง ข้อมูลจำเพาะในเอกสารฉบับนี้อาจเปลี่ยนแปลงได้โดยไม่ต้องแจ้งให้ทราบล่วงหน้า
- ข้อมูลจำเพาะอาจแตกต่างกันไปในแต่ละประเทศ
- น้ำหนักอาจแตกต่างกันไปตามอุปกรณ์เสริม รวมถึงตัวแบตเตอรี่ การติดอุปกรณ์เสริมที่เบาที่สุดและหนักที่สุดตามข้อกำหนดของ EPTA 01/2014 มีแสดงอยู่ในตาราง

### ตัวแบตเตอรี่ที่ใช้ได้

BL1830 / BL1830B / BL1840 / BL1840B / BL1850 / BL1850B / BL1860B

- ตัวแบตเตอรี่บางรายการที่แสดงอยู่ด้านบนอาจไม่มีวางจำหน่ายขึ้นอยู่กับภูมิภาคที่คุณอาศัยอยู่

**⚠ คำเตือน:** ใช้ตัวแบตเตอรี่ที่ระบุไว้ข้างบนเท่านั้น การใช้ตัวแบตเตอรี่ประเภทอื่นอาจก่อให้เกิดความเสี่ยงที่จะได้รับบาดเจ็บและ/หรือเกิดไฟไหม้

ความเข้ากันได้ของโซ่เลื่อย แผ่นบังคับโซ่ และเฟืองโซ่

ประเภทของโซ่เลื่อย		90PX			
จำนวนการเชื่อมต่อในการขับเคลื่อน		40	46	52	56
แถบราง	ความยาวของแถบราง	250 mm	300 mm	350 mm	400 mm
	ความยาวในการตัด	238 mm	294 mm	350 mm	387 mm
	ระยะพิชท์ฟันเลื่อย	3/8"			
	เกจ	1.1 mm			
	ประเภท	แถบจุมูกสเตอร์			
เฟืองโซ่	จำนวนซี่ฟันเฟือง	6			
	ระยะพิชท์ยอดฟัน	3/8"			

ประเภทของโซ่เลื่อย		91PX			
จำนวนการเชื่อมต่อในการขับเคลื่อน		40	46	52	56
แถบราง	ความยาวของแถบราง	250 mm	300 mm	350 mm	400 mm
	ความยาวในการตัด	238 mm	294 mm	350 mm	387 mm
	ระยะพิชท์ฟันเลื่อย	3/8"			
	เกจ	1.3 mm			
	ประเภท	แถบจุมูกสเตอร์			
เฟืองโซ่	จำนวนซี่ฟันเฟือง	6			
	ระยะพิชท์ยอดฟัน	3/8"			

ประเภทของโซ่เลื่อย		25AP	
จำนวนการเชื่อมต่อในการขับเคลื่อน		60	
แถบราง	ความยาวของแถบราง	250 mm	
	ความยาวในการตัด	253 mm	
	ระยะพิชท์ฟันเลื่อย	1/4"	
	เกจ	1.3 mm	
	ประเภท	แผ่นบังคับแบบโค้ง	
เฟืองโซ่	จำนวนซี่ฟันเฟือง	9	
	ระยะพิชท์ยอดฟัน	1/4"	

**คำเตือน:** ใช้แถบรางร่วมกับโซ่เลื่อยอย่างเหมาะสม มิฉะนั้นอาจเกิดการบาดเจ็บต่อร่างกายได้

**สัญลักษณ์**

ต่อไปนี้เป็นสัญลักษณ์ที่ใช้สำหรับอุปกรณ์ โปรดศึกษาความหมายของสัญลักษณ์ให้เข้าใจก่อนการใช้งาน



อ่านคู่มือการใช้งาน



สวมแว่นตานิรภัย



สวมใส่อุปกรณ์ป้องกันเสียง



สวมหมวกนิรภัย แวนตานิรภัย และอุปกรณ์ป้องกันเสียง



ใช้อุปกรณ์ป้องกันที่เหมาะสมสำหรับส่วนเท้าและขากับส่วนแขนและมือ

	เลื่อยนี้จะต้องถูกใช้โดยผู้ใช้งานที่ได้รับการฝึกมาอย่างเหมาะสมเท่านั้น
	อย่าให้โดนความชื้น
	ความยาวสูงสุดในการตัดที่ได้รับอนุญาต
	ใช้มือทั้งสองข้างเสมอเมื่อใช้งานเลื่อยโซ่ยนต์
	โปรดระวังการติดกลับของเลื่อยโซ่ยนต์และหลีกเลี่ยงการสัมผัสกับปลายแผ่นบังคับโซ่
	ทิศทางการเคลื่อนที่ของโซ่
	การปรับเปลี่ยนน้ำมันของเลื่อยโซ่ยนต์
	Ni-MH Li-Ion
	สำหรับประเทศในสหภาพยุโรปเท่านั้น ห้ามทิ้งอุปกรณ์ไฟฟ้าหรือชุดแบตเตอรี่รวมกับขยะครัวเรือนทั่วไป เพื่อให้เป็นไปตามกฎระเบียบของยุโรปเกี่ยวกับขยะจำพวกอุปกรณ์ไฟฟ้าและอิเล็กทรอนิกส์ และขยะจำพวกแบตเตอรี่และหม้อสะสมไฟฟ้า และการปฏิบัติตามกฎหมายในประเทศ ต้องเก็บอุปกรณ์ไฟฟ้าและแบตเตอรี่และชุดแบตเตอรี่ที่หมดอายุการใช้งานแล้วแยกต่างหาก และส่งกลับไปยังศูนย์รีไซเคิลที่เป็นมิตรต่อสิ่งแวดล้อม

### จุดประสงค์การใช้งาน

เครื่องมือนี้ใช้สำหรับการตัดกิ่งไม้ / การตัดแต่งต้นไม้ นอกจากนี้ ยังเหมาะสำหรับการใช้งานดูแลรักษาต้นไม้

### คำเตือนด้านความปลอดภัย

#### คำเตือนด้านความปลอดภัยของเครื่องมือไฟฟ้าทั่วไป

**คำเตือน:** โปรดอ่านคำเตือนด้านความปลอดภัย คำแนะนำ ภาพประกอบ และข้อมูลจำเพาะต่างๆ ที่หามา กับเครื่องมือไฟฟ้านี้อย่างละเอียด การไม่ปฏิบัติตามคำแนะนำดังต่อไปนี้ อาจส่งผลให้เกิดไฟฟ้าช็อต ไฟไหม้ และ/หรือได้รับบาดเจ็บอย่างร้ายแรงได้

**เก็บรักษาคำเตือนและคำแนะนำทั้งหมดไว้เป็นข้อมูลอ้างอิงในอนาคต**  
คำว่า “เครื่องมือไฟฟ้า” ในคำเตือนนี้หมายถึงเครื่องมือไฟฟ้า (มีสาย) ที่ทำงานโดยใช้กระแสไฟฟ้าหรือเครื่องมือไฟฟ้า (ไร้สาย) ที่ทำงานโดยใช้แบตเตอรี่

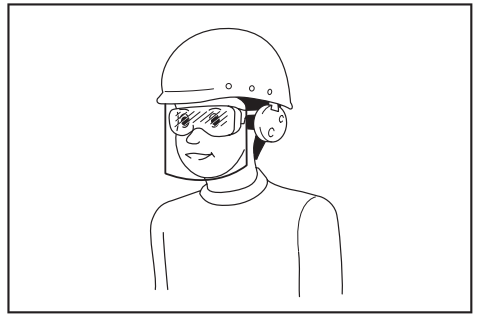
- ### ความปลอดภัยของพื้นที่ทำงาน
1. ดูแลพื้นที่ทำงานให้มีความสะอาดและมีแสงไฟสว่าง พื้นที่ที่รกรกเถาวัลย์หรือมีดักที่บอบบางนำไปสู่การเกิดอุบัติเหตุได้
  2. อย่าใช้งานเครื่องมือไฟฟ้าในสภาพที่อาจเกิดการระเบิด เช่น ในสถานที่ที่มีของเหลว ก๊าซ หรือฝุ่นผงที่มีคุณสมบัติไวไฟ เครื่องมือไฟฟ้าอาจสร้างประกายไฟและจุดชนวนฝุ่นผงหรือก๊าซดังกล่าว
  3. ดูแลไม่ให้มีเด็กหรือบุคคลอื่นอยู่ในบริเวณที่กำลังใช้เครื่องมือไฟฟ้า การมีสิ่งรบกวนสมาธิอาจทำให้คุณสูญเสียการควบคุม

### ความปลอดภัยด้านไฟฟ้า

1. ปลั๊กของเครื่องมือไฟฟ้าต้องพอดีกับเต้ารับ อย่าดัดแปลงปลั๊กไม่ว่ากรณีใดๆ อย่าใช้ปลั๊กอะแดปเตอร์กับเครื่องมือไฟฟ้าที่ต่อสายดิน ปลั๊กที่ไม่ถูกดัดแปลงและเต้ารับที่เข้ากันพอดีจะช่วยลดความเสี่ยงของการเกิดไฟฟ้าช็อต
2. ระวังอย่าให้ร่างกายสัมผัสกับพื้นผิวที่ต่อสายดิน เช่น ท่อ เครื่องนำความร้อน เตาหุงต้ม และตู้เย็น มีความเสี่ยงที่จะเกิดไฟฟ้าช็อตสูงขึ้น หากร่างกายของคุณสัมผัสกับพื้น
3. อย่าให้เครื่องมือไฟฟ้าถูกน้ำหรืออยู่ในสภาพเปียกชื้น น้ำที่ไหลเข้าไปในเครื่องมือไฟฟ้าจะเพิ่มความเสี่ยงของการเกิดไฟฟ้าช็อต
4. อย่าใช้สายไฟอย่างไม่เหมาะสม อย่าใช้สายไฟเพื่อยก ดึง หรือถอดปลั๊กเครื่องมือไฟฟ้า เก็บสายไฟให้ห่างจากความร้อน น้ำมัน ของมีคม หรือชิ้นส่วนที่เคลื่อนที่ สายที่ชำรุดหรือพันกันจะเพิ่มความเสี่ยงของการเกิดไฟฟ้าช็อต
5. ขณะทำงานเครื่องมือไฟฟ้านอกอาคาร ควรใช้สายต่อพ่วงที่เหมาะสมกับงานภายนอกอาคาร การใช้สายที่เหมาะสมกับงานภายนอกอาคารจะลดความเสี่ยงของการเกิดไฟฟ้าช็อต
6. หากต้องใช้งานเครื่องมือไฟฟ้าในสถานที่เปียกชื้น ให้ใช้อุปกรณ์ป้องกันกระแสไฟรั่ว (RCD) การใช้ RCD จะลดความเสี่ยงของการเกิดไฟฟ้าช็อต
7. เครื่องมือไฟฟ้าอาจสร้างสนามแม่เหล็ก (EMF) ที่ไม่เป็นอันตรายต่อผู้ใช้ อย่างไรก็ตาม ผู้ใช้ที่ใส่เครื่องกระตุ้นหัวใจและอุปกรณ์ทางการแพทย์ที่คล้ายกันนี้ ควรติดต่อผู้ผลิตอุปกรณ์และ/หรือแพทย์เพื่อรับคำแนะนำก่อนใช้งานเครื่องมือไฟฟ้านี้

## ความปลอดภัยส่วนบุคคล

1. ให้ระมัดระวังและมีสติอยู่เสมอขณะใช้งานเครื่องมือไฟฟ้า อย่าใช้งานเครื่องมือไฟฟ้าในขณะที่คุณกำลังเหนื่อย หรือในสภาพที่มึนเมาจากยาเสพติด เครื่องดื่ม แอลกอฮอล์ หรือการเข้ายา ชั่วขณะที่ขาดความระมัดระวังเมื่อกำลังใช้งานเครื่องมือไฟฟ้าอาจทำให้ได้รับบาดเจ็บร้ายแรง
2. ใช้อุปกรณ์ป้องกันส่วนบุคคล สวมแว่นตาป้องกันเสมอ อุปกรณ์ป้องกัน เช่น หน้ากากกันฝุ่น รองเท้านิรภัย กันลื่น หมวกนิรภัย หรือเครื่องป้องกันการได้ยินที่ใช้ในสภาพที่เหมาะสมจะช่วยลดการบาดเจ็บ
3. ป้องกันไม่ให้เกิดการเปิดใช้งานโดยไม่ตั้งใจ ตรวจสอบให้แน่ใจว่าสวิตช์ปิดอยู่ก่อนที่จะเชื่อมต่อกับแหล่งจ่ายไฟ และ/หรือชุดแบตเตอรี่ รวมทั้งตรวจสอบก่อนการยกหรือเคลื่อนย้ายเครื่องมือ การถอดนิ้วมือบริเวณสวิตช์เพื่อถ่วงเครื่องมือไฟฟ้า หรือการชาร์จไฟเครื่องมือไฟฟ้าในขณะที่เปิดสวิตช์อยู่อาจนำไปสู่การเกิดอุบัติเหตุ
4. นำกุญแจปรับตั้งหรือประแจออกก่อนที่จะเปิดเครื่องมือไฟฟ้า ประแจหรือกุญแจที่เสียบค้างอยู่ในชิ้นส่วนที่หมุนได้ของเครื่องมือไฟฟ้าอาจทำให้ได้รับบาดเจ็บ
5. อย่าทำงานในระยงที่สุดอ้อม จัดท่าการยืนและการทรงตัวให้เหมาะสมตลอดเวลา เพราะจะทำให้ควบคุมเครื่องมือไฟฟ้าได้ดีขึ้นในสถานการณ์ที่ไม่คาดคิด
6. แต่งกายให้เหมาะสม อย่าสวมเครื่องแต่งกายที่หลวมเกินไป หรือสวมเครื่องประดับ ดูแลไม่ให้เส้นผมและเสื้อผ้าอยู่ใกล้ชิ้นส่วนที่เคลื่อนที่ เสื้อผ้ารุ่มร่าม เครื่องประดับ หรือผมที่มีความยาวอาจเข้าไปติดในชิ้นส่วนที่เคลื่อนที่
7. หากมีการจัดอุปกรณ์สำหรับดูดและจับฝุ่นไว้ในสถานที่ ให้ตรวจสอบว่าได้เชื่อมต่อและใช้งานอุปกรณ์นั้นอย่างเหมาะสม การใช้เครื่องดูดและจับฝุ่นจะช่วยลดอันตรายที่เกิดจากฝุ่นผงได้
8. อย่าให้ความดันเคຍจากการใช้งานเครื่องมือเป็นประจำทำให้คุณทำตัวตามสบายและละเลยหลักการเพื่อความปลอดภัยในการใช้เครื่องมือ การกระทำที่ไม่ระมัดระวังอาจทำให้เกิดการบาดเจ็บร้ายแรงภายในเสี้ยววินาที
9. สวมใส่แว่นครอบตานิรภัยเพื่อปกป้องดวงตาของคุณจากการบาดเจ็บเมื่อใช้เครื่องมือไฟฟ้า แว่นครอบตาจะต้องได้มาตรฐาน ANSI Z87.1 ในสหรัฐอเมริกา, EN 166 ในยุโรป หรือ AS/NZS 1336 ในออสเตรเลีย/นิวซีแลนด์ ในออสเตรเลีย/นิวซีแลนด์ จะต้องสวมเกราะป้องกันใบหน้าเพื่อปกป้องใบหน้าของคุณอย่างถูกต้องตามกฎหมายด้วย



ผู้ว่าจ้างมีหน้าที่รับผิดชอบในการบังคับผู้ใช้งานเครื่องมือและบุคคลอื่นๆ ที่อยู่ในบริเวณที่ปฏิบัติงานให้ใช้อุปกรณ์ป้องกันที่เหมาะสม

## การใช้และดูแลเครื่องมือไฟฟ้า

1. อย่าฝืนใช้เครื่องมือไฟฟ้า ใช้เครื่องมือไฟฟ้าที่เหมาะสมกับการใช้งานของคุณ เครื่องมือไฟฟ้าที่เหมาะสมจะทำให้ได้งานที่มีประสิทธิภาพและปลอดภัยกว่าตามขีดความสามารถของเครื่องที่ได้รับการออกแบบมา
2. อย่าใช้เครื่องมือไฟฟ้า หากสวิตช์ไม่สามารถเปิดปิดได้ เครื่องมือไฟฟ้าที่ควบคุมด้วยสวิตช์ไม่ได้เป็นสิ่งอันตรายและต้องได้รับการซ่อมแซม
3. ถอดปลั๊กจากแหล่งจ่ายไฟ และ/หรือชุดแบตเตอรี่ออกจากเครื่องมือไฟฟ้าก่อนทำการปรับตั้ง เปลี่ยนอุปกรณ์เสริม หรือจัดเก็บเครื่องมือไฟฟ้า วิธีการป้องกันด้านความปลอดภัยดังกล่าวจะช่วยลดความเสี่ยงในการเปิดใช้งานเครื่องมือไฟฟ้าโดยไม่ตั้งใจ
4. จัดเก็บเครื่องมือไฟฟ้าที่ไม่ได้ใช้งานให้ห่างจากมือเด็ก และอย่าอนุญาตให้บุคคลที่ไม่คุ้นเคยกับเครื่องมือไฟฟ้าหรือคำแนะนำเหล่านี้ใช้งานเครื่องมือไฟฟ้า เครื่องมือไฟฟ้าจะเป็นอันตรายเมื่ออยู่ในมือของผู้ที่ไม่ได้รับการฝึกอบรม
5. บำรุงรักษาเครื่องมือไฟฟ้าและอุปกรณ์เสริม ตรวจสอบการประกอบที่ไม่ถูกต้องหรือการเชื่อมต่อของชิ้นส่วนที่เคลื่อนที่ การแตกหักของชิ้นส่วน หรือสภาพอื่น ๆ ที่อาจส่งผลกระทบต่อการทำงานของเครื่องมือไฟฟ้า หากมีความเสียหายให้นำเครื่องมือไฟฟ้าไปซ่อมแซมก่อนการใช้งาน อุบัติเหตุจำนวนมากเกิดจากการดูแลรักษาเครื่องมือไฟฟ้าอย่างไม่ถูกต้อง
6. ทำความสะอาดเครื่องมือตัดและลับให้คมอยู่เสมอ เครื่องมือการตัดที่มีการดูแลอย่างถูกต้องและมีขอบการตัดคมมักจะมีปัญหาตัดชิ้นน้อยและควบคุมได้ง่ายกว่า

7. ใช้เครื่องมือไฟฟ้า อุปกรณ์เสริม และวัสดุสิ้นเปลือง ฯลฯ ตามคำแนะนำดังกล่าว พิจารณาสภาพการทำงานและงานที่จะลงมือทำ การใช้เครื่องมือไฟฟ้าเพื่อทำงานอื่นนอกเหนือจากที่กำหนดไว้อาจทำให้เกิดอันตราย
8. ดูลมมือจับและบริเวณมือจับให้แห้ง สะอาด และไม่มีน้ำมันและจาระบีเปื้อน มือจับและบริเวณมือจับที่ลื่นจะทำให้ไม่สามารถจับและควบคุมเครื่องมือได้อย่างปลอดภัยในสถานการณ์ที่ไม่คาดคิด
9. ขณะใช้งานเครื่องมือ อย่าสวมใส่ถุงมือผ้าที่อาจเข้าไปติดในเครื่องมือได้ หากถุงมือผ้าเข้าไปติดในชิ้นส่วนที่กำลังเคลื่อนที่อยู่อาจทำให้ได้รับบาดเจ็บ

#### การใช้งานและดูแลเครื่องมือที่ใช้แบตเตอรี่

1. ชาร์จไฟใหม่ด้วยเครื่องชาร์จที่ระบุโดยผู้ผลิตเท่านั้น เครื่องชาร์จที่เหมาะสมสำหรับชุดแบตเตอรี่ประเภทหนึ่งอาจเสี่ยงที่จะเกิดไฟไหม้หากนำไปใช้กับชุดแบตเตอรี่อีกประเภทหนึ่ง
2. ใช้เครื่องมือไฟฟ้ากับชุดแบตเตอรี่ที่กำหนดมาโดยเฉพาะเท่านั้น การใช้ชุดแบตเตอรี่ประเภทอื่นอาจทำให้เสี่ยงที่จะได้รับบาดเจ็บและเกิดไฟไหม้
3. เมื่อไม่ใช้งานชุดแบตเตอรี่ ให้เก็บห่างจากวัตถุที่เป็นโลหะอื่นๆ เช่น คลิปหนีบกระดาษ เหรียญ กุญแจ กรรไกรตัดเล็บ สกรู หรือวัตถุที่เป็นโลหะขนาดเล็กอื่นๆ ที่สามารถเชื่อมต่อชั่วคราวกับอีกขั้วหนึ่งได้ การลัดวงจรขั้วแบตเตอรี่อาจทำให้ร้อนจัดหรือเกิดไฟไหม้
4. ในกรณีที่ใช้งานไม่ถูกต้อง อาจมีของเหลวไหลออกจากแบตเตอรี่ ให้หลีกเลี่ยงการสัมผัส หากสัมผัสโดนของเหลวโดยไม่ตั้งใจ ให้ล้างออกด้วยน้ำ หากของเหลวกระเด็นเข้าตา ให้รีบไปพบแพทย์ ของเหลวที่ไหลออกจากแบตเตอรี่อาจทำให้ผิวหนังระคายเคืองหรือไหม้
5. ห้ามใช้ชุดแบตเตอรี่หรือเครื่องมือที่ชำรุดหรือมีการแก้ไข แบตเตอรี่ที่เสียหายหรือมีการแก้ไขอาจทำให้เกิดสิ่งที่คาดไม่ถึงได้ เช่น ไฟไหม้ ระเบิด หรือเสี่ยงต่อการบาดเจ็บ
6. ห้ามใช้ชุดแบตเตอรี่อยู่ใกล้ไฟ หรือบริเวณที่มีอุณหภูมิสูงเกิน หากโดนไฟ หรืออุณหภูมิสูงเกิน 130 °C อาจก่อให้เกิดการระเบิดได้
7. กรุณาปฏิบัติตามคำแนะนำสำหรับการชาร์จไฟ และห้ามชาร์จแบตเตอรี่หรือเครื่องมือในบริเวณที่มีอุณหภูมิอื่นนอกเหนือไปจากที่ระบุในคำแนะนำ การชาร์จไฟที่ไม่เหมาะสม หรืออุณหภูมิอื่นนอกเหนือไปจากช่วงอุณหภูมิที่ระบุในคำแนะนำอาจทำให้แบตเตอรี่เสียหายและเป็นการเพิ่มความเสี่ยงในการเกิดไฟไหม้

#### การซ่อมบำรุง

1. นำเครื่องมือไฟฟ้าเข้ารับบริการจากช่างซ่อมที่ผ่านการรับรองโดยช่างผู้เชี่ยวชาญเท่านั้น เพราะจะทำให้การใช้เครื่องมือไฟฟ้ามีความปลอดภัย
2. ห้ามใช้ชุดแบตเตอรี่ที่เสียหาย ชุดแบตเตอรี่ที่ใช้ควรเป็นชุดที่มาจากผู้ผลิต หรือผู้ให้บริการที่ได้รับอนุญาตเท่านั้น
3. ปฏิบัติตามคำแนะนำในการหล่อลื่นและการเปลี่ยนอุปกรณ์เสริม

#### คำเตือนด้านความปลอดภัยของเลื่อยไฟฟ้าไร้สาย

1. ดูแลร่างกายทุกส่วนให้ห่างจากโซ่เลื่อยในขณะที่เลื่อยโซ่ยนต์กำลังทำงาน ก่อนที่คุณจะเริ่มใช้งานเลื่อยโซ่ยนต์ ตรวจสอบให้แน่ใจว่าเลื่อยโซ่ยนต์ได้สัมผัสกับสิ่งใดๆ การละเลยขณะใช้งานเลื่อยโซ่ยนต์อาจก่อให้เกิดการเกี่ยวเสื้อผ้าหรือร่างกายของคุณด้วยโซ่เลื่อย
2. ถือเลื่อยโซ่ยนต์ด้วยมือข้างขวาบนมือจับด้านบนและวางมือด้านซ้ายบนมือจับด้านหน้าเสมอ การถือเลื่อยโซ่ยนต์ด้วยการใช้มือสลับกันจะเพิ่มความเสี่ยงของการได้รับบาดเจ็บและไม่ควรกระทำ
3. ถือเครื่องมือกลโดยมีพื้นผิวที่หุ้มด้วยฉนวนไฟฟ้าเท่านั้น เนื่องจากโซ่เลื่อยอาจสัมผัสกับสายไฟที่ซ่อนอยู่ โซ่เลื่อยที่สัมผัสกับสายไฟ "ที่มีกระแสไฟฟ้าเดินอยู่" อาจทำให้ชิ้นส่วนที่เป็นเหล็กของเครื่องมือกลที่ถูกล้มผัส "ได้รับกระแสไฟฟ้า" และเกิดไฟช็อตแก่ผู้ใช้งาน
4. สวมใส่แว่นตานิรภัยและอุปกรณ์ป้องกันเสียง ขอแนะนำให้ใช้อุปกรณ์ป้องกันเพิ่มเติมสำหรับศีรษะ มือ ขา และเท้า ชุดป้องกันจะลดการบาดเจ็บส่วนบุคคลโดยชิ้นส่วนที่ล่อนหรือการสัมผัสกับโซ่เลื่อยโดยอุบัติเหตุ
5. จัดทำยื่นให้เหมาะสมอยู่เสมอ
6. ในขณะที่ตัดกิ่งไม้ที่อยู่ภายใต้ความตึง คอยระวังการดีดกลับ เมื่อความตึงในเส้นใยไม้ปล่อยออกมา กิ่งไม้ที่ดีดกลับมาอาจกระแทกผู้ใช้และ/หรือไม่อาจควบคุมเลื่อยโซ่ยนต์ได้
7. คอยระมัดระวังอย่างสูงขณะตัดแปรงและกิ่งไม้อ่อน วัสดุที่บางอาจสัมผัสโซ่เลื่อย และตัดเข้าตัวคุณหรือทำให้คุณเสียการทรงตัว

8. ถือเลื่อยโซยนต์ตรงที่จับด้านหน้าขณะที่ปิดสวิตช์เลื่อยโซยนต์แล้ว และนำออกห่างจากร่างกายของคุณ เมื่อทำการเคลื่อนย้ายหรือจัดเก็บเลื่อยโซยนต์ ปิดฝาครอบแถบรางให้สนิทอยู่เสมอ การใช้งานเลื่อยโซยนต์อย่างเหมาะสมจะลดความเป็นไปได้ของการสัมผัสโดยอุบัติเหตุด้วยโซ่เลื่อยที่ขยับ
9. ปฏิบัติตามคำแนะนำสำหรับการหล่อลื่น การปรับแรงดึงของโซ่ และการเปลี่ยนอุปกรณ์เสริม โซ่ที่ถูกปรับแรงดึงหรือหล่อลื่นอย่างไม่ถูกต้องจะก่อให้เกิดหรือเพิ่มโอกาสของการติดกลับ
10. ดูแลมือจับให้แห้ง สะอาด และไม่มันมันและจาระบีเปื้อน มือจับที่เปื้อนน้ำมันและจาระบีจะมีความลื่นซึ่งก่อนให้การสูญเสียในการควบคุม
11. ตัดไม้เท่านั้น อย่าใช้งานเลื่อยโซยนต์สำหรับวัตถุประสงค์ที่ไม่ได้กำหนด ตัวอย่าง: อย่าใช้งานเลื่อยโซยนต์สำหรับการตัดพลาสติก อิฐ หรือวัสดุก่อสร้างที่ไม่ใช่ไม้ การใช้งานเลื่อยโซยนต์สำหรับการดำเนินการที่แตกต่างไปจากที่กำหนดอาจก่อให้เกิดสถานการณ์ที่เป็นอันตรายได้
12. สาเหตุของการติดกลับและการป้องกันผู้ใช้งานการติดกลับ:  
การติดกลับอาจเกิดขึ้นเมื่อปลายของแถบรางสัมผัสกับวัตถุ หรือเมื่อไม้ขยับเข้ามาใกล้และบีบโซ่เลื่อยในระหว่างการตัด การสัมผัสส่วนปลายในบางกรณีอาจก่อให้เกิดปฏิกิริยาย้อนกลับโดยทันทีขึ้นได้ ซึ่งจะตีแถบรางขึ้นด้านบนและติดกลับใส่ผู้ใช้ การบีบโซ่เลื่อยอย่างแน่นบริเวณด้านบนของแถบรางอาจดันแถบรางกลับใส่ตัวผู้ใช้อย่างรวดเร็ว ปฏิกิริยาเหล่านี้อาจทำให้คุณสูญเสียการควบคุมสำหรับเลื่อย ซึ่งอาจก่อให้เกิดการบาดเจ็บส่วนบุคคลที่ร้ายแรง อย่านำงานอุปกรณ์นิรภัยที่ติดตั้งมาในเลื่อยของคุณเพียงอย่างเดียว ในฐานะผู้ใช้งานเลื่อยโซยนต์ คุณควรปฏิบัติตามหลายขั้นตอนเพื่อคอยหลีกเลี่ยงงานตัดไม้จากอุบัติเหตุหรือการบาดเจ็บ  
การติดกลับเป็นผลมาจากการใช้เลื่อยผิดจุดประสงค์และ/หรือการใช้ผิดวิธีหรือสภาพที่การทำงานที่ไม่ถูกต้อง และสามารถป้องกันได้ด้วยวิธีการป้องกันดังต่อไปนี้

- คอยรักษาการจับให้แน่นด้วยหัวแม่มือและนิ้วมือรอบมือจับของเลื่อยโซยนต์ด้วยมือทั้งสองข้างบนตัวเลื่อย และจัดวางร่างกายและแขนของคุณเพื่อให้สามารถต้านทานแรงตีดกลับได้ แรงตีดกลับสามารถถูกควบคุมได้โดยผู้ใช้หากมีการปฏิบัติข้อควรระวังอย่างเหมาะสม อย่าปล่อยเลื่อยโซยนต์

▶ หมายเลข 1

- อย่าเอื้อมเกินตัวและอย่าตัดเหนือความสูงของไหล่ สิ่งนี้จะช่วยป้องกันการสัมผัสด้านปลายที่ไม่ได้เจตนาและช่วยควบคุมเลื่อยโซยนต์ในกรณีที่ไม่คาดคิดได้ดียิ่งขึ้น
  - ใช้แถบเปลี่ยนและโซ่ที่กำหนดโดยผู้ผลิตเท่านั้น แถบเปลี่ยนและโซ่ที่ไม่ถูกต้องอาจก่อให้เกิดการแตกของโซ่และ/หรือการติดกลับ
  - ปฏิบัติตามการกลับคมของผู้ผลิตและคำแนะนำในการซ่อมบำรุงสำหรับเลื่อยโซยนต์ การลดลงของความสูงสำหรับเกวียดความลึกอาจนำไปสู่การติดกลับที่เพิ่มขึ้น
13. ก่อนการเริ่มงาน ตรวจสอบว่าเลื่อยโซยนต์อยู่ในลำดับงานที่ถูกต้องและสภาพสอดคล้องกับข้อบังคับด้านความปลอดภัย ตรวจสอบสิ่งต่อไปนี้โดยเฉพาะ:
    - เบรกของโซ่ทำงานอย่างเหมาะสม
    - เบรกที่ผ่านการใช้งานมานานทำงานอย่างเหมาะสม
    - แถบรางและฝาครอบสเตอร์อยู่ในตำแหน่งที่ถูกต้อง
    - ได้มีการลับคมโซยนต์และกำหนดแรงดึงตามข้อบังคับ
  14. อย่าเริ่มใช้งานเลื่อยโซยนต์ด้วยฝาคอบเลื่อยที่ติดตั้งมา การเริ่มใช้งานเลื่อยโซยนต์ด้วยฝาคอบโซ่ที่ติดตั้งบนเลื่อยอาจก่อให้เกิดการปกคลุมโซ่เพื่อเหวี่ยงไปด้านหน้า ซึ่งก่อให้เกิดการบาดเจ็บส่วนบุคคลและความเสียหายแก่ตัวถูรอบตัวผู้ใช้

คำเตือนด้านความปลอดภัยเพิ่มเติม:

1. เมื่อใช้เครื่องมือกับอะแดปเตอร์แบตเตอรี่ โปรดระวังอย่าสะดุดสายไฟในระหว่างการใช้งาน
2. เมื่อใช้เครื่องมือกับอะแดปเตอร์แบตเตอรี่ ให้ดูแลสายไฟให้อยู่ห่างจากสิ่งกีดขวาง เช่น ชิงงานและกิ่งไม้ ในระหว่างการใช้งาน สายไฟที่เข้าไปติดกับสิ่งกีดขวางอาจทำให้ได้รับบาดเจ็บได้

คำเตือนด้านความปลอดภัยเฉพาะของเลื่อยโซ่ยนต์แบบมือจับด้านบน

1. เลื่อยโซ่ยนต์ที่ออกแบบขึ้นเฉพาะสำหรับการดูแลรักษาและตัดแต่งต้นไม้ เลื่อยโซ่ยนต์นี้จะต้องถูกใช้โดยผู้ใช้งานที่ได้รับการฝึกมาอย่างเหมาะสมเท่านั้น ปฏิบัติตามคำแนะนำ ขั้นตอน และข้อชี้แนะทั้งหมดจากองค์กรวิชาชีพที่เกี่ยวข้อง ไม่เช่นนั้นอาจเกิดอุบัติเหตุถึงแก่ชีวิตได้ แนะนำให้ใช้แท่นยก (รถกระเช้า, ลิฟต์) ในการเลื่อยต้นไม้ การโรยตัวลงมามีความอันตรายมาก และต้องได้รับการฝึกเป็นพิเศษ ผู้ใช้งานจะต้องได้รับการฝึกเพื่อให้คุ้นเคยกับการใช้งานอุปกรณ์รักษาความปลอดภัยและการปีน ไขเข็มขัดเชือก และคาราบินเนอร์ เสมอเมื่อทำงานบนต้นไม้ ใช้อุปกรณ์ยี่สิบสำหรับทั้งผู้ใช้งานและเลื่อย
2. ทำความสะอาดและดูแลรักษาก่อนการจัดเก็บตามคู่มือการใช้งาน
3. ตรวจสอบการจัดตำแหน่งที่ปลอดภัยของเลื่อยโซ่ยนต์ในระหว่างการขนส่งด้วยรถยนต์ เพื่อหลีกเลี่ยงการรั่วไหลของเชื้อเพลิงหรือน้ำมันโซ่ ความเสียหายที่จะเกิดขึ้นกับเครื่องมือ และการได้รับบาดเจ็บ
4. ตรวจสอบการทำงานของเบรกเปลี่ยนเป็นประจำ
5. อย่าเติมน้ำมันโซ่ใกล้ไฟ ห้ามสูบบุหรี่ขณะที่เติมน้ำมันโซ่
6. ข้อกำหนดประเทศอาจมีการจำกัดการใช้เลื่อยโซ่ยนต์
7. หากอุปกรณ์ถูกระเบิดอย่างแรงหรือทำตก ให้ตรวจสอบสภาพอุปกรณ์ก่อนจะทำงานต่อ ตรวจสอบความผิดปกติของส่วนควบคุมและอุปกรณ์ด้านความปลอดภัยต่างๆ หากมีความเสียหายหรือข้อสงสัยใดๆ ให้นำไปตรวจสอบและซ่อมแซมที่ศูนย์บริการที่ผ่านการรับรองของเรา
8. เปิดใช้งานเบรกเลื่อยเสมอเมื่อเริ่มใช้งานเลื่อยโซ่ยนต์
9. จับเลื่อยไว้กับที่ให้แน่นเพื่อหลีกเลี่ยงการเลื่อน (การลื่นไถล) หรือการตีตของเลื่อยเมื่อเริ่มทำการตัด
10. ในช่วงท้ายของการตัด โปรดระมัดระวังในการรักษาความสมดุลของคุณเนื่องจากการ “หล่น”
11. คำนึงถึงทิศทางและความเร็วลม หลีกเลี่ยงโซ่เลื่อยและละอองน้ำมันโซ่

อุปกรณ์ป้องกัน

1. เพื่อหลีกเลี่ยงการบาดเจ็บที่ศีรษะ ดวงตา มือ หรือเท้า รวมถึงป้องกันการได้ยินของคุณ ต้องใช้อุปกรณ์ป้องกันต่อไปนี้ในระหว่างการใช้งานเลื่อยโซ่ยนต์:
  - เสื้อผ้าที่ใส่ควรมีความเหมาะสม เช่น ควรสวมตัวพอดี้และไม่กีดขวางการทำงาน อย่าสวมใส่เครื่องประดับหรือเสื้อผ้าที่อาจเข้าไปติดในพุ่มไม้หรือไม้พุ่มได้ หากคุณผอมยิว ให้สวมตาข่ายครอบผมเสมอ!
  - เมื่อใดก็ตามที่ทำงานร่วมกับเลื่อยโซ่ยนต์นั้น จำเป็นต้องสวมหมวกนิรภัย หมวกนิรภัยต้องได้รับการตรวจสอบความเสียหายเป็นระยะและจะต้องเปลี่ยนใหม่ภายในระยะเวลาไม่เกิน 5 ปี ใช้เฉพาะหมวกนิรภัยที่ได้รับอนุญาตเท่านั้น
  - หน้ากากป้องกันใบหน้า ของหมวกนิรภัย (หรือแว่นตาป้องกัน) จะป้องกันซี่เลื่อยและเศษไม้ ในระหว่างการใช้งานเลื่อยโซ่ยนต์ ให้สวมใส่แว่นตาป้องกันหรือหน้ากากป้องกันใบหน้าเสมอ เพื่อป้องกันดวงตาบาดเจ็บ
  - สวมใส่อุปกรณ์ป้องกันเสียง (ที่ครอบหู, ปลั๊กอุดหู ฯลฯ)
  - แฉีกเกิดนิรภัย ประกอบไปด้วยไนลอน 22 ชั้น ซึ่งจะป้องกันผู้ใช้งานจากการตัด จะต้องสวมใส่แฉีกเกิดนิรภัยเสมอเมื่อทำงานบนแท่นยก (รถกระเช้า, ลิฟต์) บันไดที่ยึดกับแท่น หรือเมื่อปีนด้วยเชือก
  - ชุดกันเปื้อนและอุปกรณ์เสริมนิรภัย ทำจากผ้าไนลอน 22 ชั้น ซึ่งจะป้องกันการตัด เราแนะนำให้เป็นอย่างยิ่งให้คุณใช้อุปกรณ์นี้
  - ถุงมือป้องกัน ซึ่งทำจากหนังชนิดหนาเป็นส่วนหนึ่งของอุปกรณ์ที่ระบุให้ใช้ และจะต้องสวมใส่ในระหว่างการใช้งานเลื่อยโซ่ยนต์เสมอ
  - ในระหว่างการใช้งานเลื่อยโซ่ยนต์ จะต้องใส่รองเท้านิรภัย หรือ รองเท้าบูตป้องกัน ซึ่งมีพื้นรองเท้ากันลื่น หัวรองเท้าหุ้มเหล็ก และที่ป้องกันขา รองเท้านิรภัยที่ติดตั้งชั้นป้องกันจะช่วยป้องกันไม่ให้เกิดบาดเจ็บจากการตัดและมั่นใจได้ว่าเท้าจะมีความปลอดภัย การทำงานบนต้นไม้จะต้องสวมรองเท้าบูตป้องกันที่เหมาะสมสำหรับการปีน



## แรงสั่นสะเทือน

1. แรงสั่นสะเทือนที่มากเกินไปอาจทำให้เกิดการบาดเจ็บต่อเส้นเลือดหรือระบบประสาทของผู้ที่มีระบบการไหลเวียนโลหิตไม่ดีได้ แรงสั่นสะเทือนอาจทำให้เกิดการอาการดังต่อไปนี้ที่นิ้ว มือ หรือข้อมือได้ “การเฉลอหลัง” (อาการชา) เจ็บเหมือนโดนหนามแทง เจ็บปวด ความรู้สึกเหมือนโดนแทง สิวหรือผิวหนังเปลี่ยนแปลงไป หากมีอาการใดๆ ดังกล่าวเกิดขึ้น ให้ไปพบแพทย์! การลดความเสี่ยงของ “โรคนิ้วมือซีดขาว” ให้รักษามือให้อุ่นระหว่างการทำงานและบำรุงรักษาอุปกรณ์และอุปกรณ์เสริมต่างๆ ให้ดี

## ปฏิบัติตามคำแนะนำเหล่านี้

**คำเตือน:** อย่าให้ความไม่ระมัดระวังหรือความคุ้นเคยกับผลิตภัณฑ์ (จากการใช้งานซ้ำหลายครั้ง) อยู่เหนือการปฏิบัติตามกฎเกณฑ์ด้านความปลอดภัยในการใช้งานผลิตภัณฑ์อย่างเคร่งครัด การใช้งานอย่างไม่เหมาะสมหรือการไม่ปฏิบัติตามกฎเกณฑ์ด้านความปลอดภัยในคู่มือการใช้งานนี้อาจทำให้ได้รับบาดเจ็บร้ายแรง

## คำแนะนำเพื่อความปลอดภัยที่สำคัญสำหรับดัลบ์แบตเตอรี่

1. ก่อนใช้งานดัลบ์แบตเตอรี่ให้อ่านคำแนะนำและเครื่องหมายเตือนทั้งหมดบน (1) เครื่องชาร์จแบตเตอรี่ (2) แบตเตอรี่ และ (3) ตัวผลิตภัณฑ์ที่ใช้แบตเตอรี่
2. ห้ามถอดแยกส่วนดัลบ์แบตเตอรี่
3. หากระยะเวลาที่เครื่องทำงานสั้นเกินไป ให้หยุดใช้งานทันที เนื่องจากอาจมีความเสี่ยงที่จะร้อนจัดไหม้หรือระเบิดได้
4. หากสารละลายอิเล็กโทรไลต์กระเด็นเข้าตา ให้ล้างออกด้วยน้ำเปล่าและรีบไปพบแพทย์ทันที เนื่องจากอาจทำให้ตาบอด
5. ห้ามลัดวงจรดัลบ์แบตเตอรี่:
  - (1) ห้ามแตะขั้วกับวัตถุที่เป็นสื่อนำไฟฟ้าใดๆ
  - (2) หลีกเลี่ยงการเก็บดัลบ์แบตเตอรี่ไว้ในภาชนะร่วมกับวัตถุที่เป็นโลหะ เช่น กรรไกรตัดเล็บ เหรียญ ฯลฯ
  - (3) อย่าให้ดัลบ์แบตเตอรี่ถูกน้ำหรือฝน แบตเตอรี่ลัดวงจรอาจทำให้เกิดการไหลของกระแสไฟฟ้า ร้อนจัดไหม้หรือเสียหายได้
6. ห้ามเก็บเครื่องมือและดัลบ์แบตเตอรี่ไว้ในสถานที่ที่มีอุณหภูมิสูงถึงหรือเกิน 50 °C

7. ห้ามเผาตลับแบตเตอรี่ทิ้ง แม้ว่าแบตเตอรี่จะเสียหายจนใช้การไม่ได้หรือเสื่อมสภาพแล้ว ตลับแบตเตอรี่อาจจะระเบิดในกองไฟ
8. ระวังอย่าทำแบตเตอรี่ตกลงหรือกระทบกระแทก
9. ห้ามใช้แบตเตอรี่ที่เสียหาย
10. แบตเตอรี่เทียมไอออนที่มีมาให้ห็นเป็นไปตามข้อกำหนดของ Dangerous Goods Legislation สำหรับการขนส่งเพื่อการพาณิชย์ เช่น โดยบุคคลที่สาม ตัวแทนขนส่งสินค้า จะต้องตรวจสอบข้อกำหนดพิเศษในด้านการบรรจุหีบห่อหรือการติดป้ายสินค้าในการเตรียมสินค้าที่จะขนส่ง ให้ปรึกษาผู้เชี่ยวชาญด้านวัตถุอันตราย โปรดตรวจสอบข้อกำหนดในประเทศที่อาจมีรายละเอียดอื่น ๆ เพิ่มเติม ให้ติดเทปหรือปิดหน้าสัมผัสและห่อแบตเตอรี่ในลักษณะที่แบตเตอรี่จะไม่เคลื่อนที่ไปมาในหีบห่อ
11. เมื่อกำจัดดัลบ์แบตเตอรี่ ให้ถอดดัลบ์แบตเตอรี่ออกจากเครื่องมือและกำจัดในสถานที่ที่ปลอดภัย ปฏิบัติตามข้อบังคับในท้องถิ่นที่เกี่ยวกับการกำจัดแบตเตอรี่
12. ใช้แบตเตอรี่กับผลิตภัณฑ์ที่ระบุโดย Makita เท่านั้น การติดตั้งแบตเตอรี่ในผลิตภัณฑ์ที่ไม่ใช่ตามที่จะระบุอาจทำให้เกิดไฟไหม้ ความร้อนสูง ระเบิด หรืออิเล็กทรอนิกส์ไหลได้
13. หากไม่ใช่เครื่องมือเป็นระยะเวลานาน จะต้องถอดแบตเตอรี่ออกจากเครื่องมือ

## ปฏิบัติตามคำแนะนำเหล่านี้

**ข้อควรระวัง:** ใช้แบตเตอรี่ของแท้จาก Makita เท่านั้น การใช้แบตเตอรี่ Makita ที่ไม่แท้ หรือแบตเตอรี่ที่ถูกเปลี่ยน อาจทำให้แบตเตอรี่ระเบิด ก่อให้เกิดเพลิงลุกไหม้ การบาดเจ็บ และความเสียหายได้ และจะทำให้การรับประกันของ Makita สำหรับเครื่องมือและแท่นชาร์จของ Makita เป็นโมฆะด้วย

## เคล็ดลับในการรักษาอายุการใช้งานของแบตเตอรี่ให้ยาวนานที่สุด

1. ชาร์จดัลบ์แบตเตอรี่ก่อนที่ไฟจะหมด หยุดการใช้งานแล้วชาร์จประจุไฟฟ้าใหม่ทุกครั้งเมื่อคุณรู้สึกว่าอุปกรณ์มีกำลังลดลง
2. อย่าชาร์จดัลบ์แบตเตอรี่ที่มีไฟเต็มแล้ว การชาร์จประจุไฟฟ้ามากเกินไปอาจจะทำให้อายุการใช้งานของดัลบ์แบตเตอรี่สั้นลง
3. ชาร์จประจุไฟฟ้าตลับแบตเตอรี่ในท้องที่มีอุณหภูมิระหว่าง 10 °C - 40 °C ปล่อยให้ดัลบ์แบตเตอรี่เย็นลงก่อนที่จะชาร์จไฟ

4. ชาร์จไฟถลับแบตเตอรี่หากคุณไม่ต้องการใช้เป็นเวลา นาน (เกินกว่าหกเดือน)

## คำอธิบายชิ้นส่วนต่างๆ

### ▶ หมายเลข 2

1	ไฟแสดงสถานะแบตเตอรี่	2	ปุ่มตรวจสอบ	3	สวิตช์สั่งงาน
4	มือจับด้านบน	5	ก้านปลดลิ้อค	6	ที่ป้องกันมือด้านหน้า
7	แถบราง	8	โซ่เลื่อย	9	ตัวป้องกันโซ่
10	น็อตยึด	11	สกรูปรับโซ่	12	ถลับแบตเตอรี่
13	ไฟดวงหลัก	14	ไฟแสดงสถานะโหมด	15	สวิตช์ไฟหลัก
16	ฝาปิด	17	สกรูปรับ (สำหรับปั้มน้ำมัน)	18	คาราบินเนอร์
19	ที่จับด้านหน้า	20	ฝาปิดถังน้ำมัน	21	กันชนเหล็กแหลม
22	ฝาครอบแถบราง	-	-	-	-

## คำอธิบายการทำงาน

**⚠ ข้อควรระวัง:** ตรวจสอบให้แน่ใจว่าได้ปิดสวิตช์เครื่องมือและถอดถลับแบตเตอรี่ออกก่อนปรับตั้งหรือตรวจสอบการทำงานของเครื่องมือ

## การใส่หรือการถอดถลับแบตเตอรี่

**⚠ ข้อควรระวัง:** ปิดสวิตช์เครื่องมือก่อนทำการติดตั้งหรือการถอดถลับแบตเตอรี่ทุกครั้ง

**⚠ ข้อควรระวัง:** ถือเครื่องมือและถลับแบตเตอรี่ให้แน่นในระหว่างการติดตั้งหรือการถอดถลับแบตเตอรี่ หากไม่ถือเครื่องมือและถลับแบตเตอรี่ให้แน่น อาจทำให้ถลับแบตเตอรี่และเครื่องมือเสียหาย และทำให้เครื่องมือและถลับแบตเตอรี่เสียหายหรือได้รับบาดเจ็บได้

- ▶ หมายเลข 3: 1. ไฟแสดงสถานะสีแดง 2. ปุ่ม 3. ถลับแบตเตอรี่

เมื่อต้องการถอดถลับแบตเตอรี่ ให้เลื่อนปุ่มที่ด้านหน้าของถลับแล้วดึงออกจากเครื่องมือ

เมื่อต้องการติดตั้งถลับแบตเตอรี่ ให้จัดแนวสันบนถลับแบตเตอรี่ให้ตรงกับร่องบนตัวเครื่องมือ แล้วเลื่อนถลับแบตเตอรี่เข้าที่ ติดตั้งถลับแบตเตอรี่เข้าจนสุดจนกระทั่งได้ยินเสียงคลิกล็อกเข้าที่ หากยังเห็นส่วนสีแดงที่ด้านบนของปุ่ม แสดงว่าถลับแบตเตอรี่ยังไม่ล็อกเข้าที่




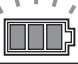
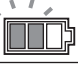
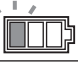

**⚠ ข้อควรระวัง:** ให้ดันถลับแบตเตอรี่เข้าจนสุดจนไม่เห็นส่วนสีแดงอีก ไม่เช่นนั้น ถลับแบตเตอรี่อาจหลุดออกจากเครื่องมือทำให้คุณหรือคนรอบข้างได้รับบาดเจ็บ

**⚠ ข้อควรระวัง:** อย่าฝืนติดตั้งถลับแบตเตอรี่โดยใช้แรงมากเกินไป หากถลับแบตเตอรี่ไม่เลื่อนเข้าไปได้ง่าย แสดงว่าใส่ไม่ถูกต้อง

## การระบุระดับพลังงานแบตเตอรี่ที่เหลืออยู่

- ▶ หมายเลข 4: 1. ไฟแสดงสถานะแบตเตอรี่ 2. ปุ่มตรวจสอบ

กดปุ่ม ตรวจสอบ เพื่อดูปริมาณแบตเตอรี่ที่เหลือ ไฟแสดงสถานะแบตเตอรี่จะตรงตามแบตเตอรี่แต่ละลูก

สถานะของไฟแสดงสถานะแบตเตอรี่			ความจุแบตเตอรี่ที่เหลืออยู่
 สว่าง	 ดับ	 กะพริบ	
			50% ถึง 100%
			20% ถึง 50%
			0% ถึง 20%
			ชาร์จแบตเตอรี่

## การระบุระดับพลังงานแบตเตอรี่ที่เหลืออยู่

สำหรับดัลบีแบตเตอรี่ที่มีตัวแสดงสถานะเท่านั้น

► หมายเลข 5: 1. ไฟแสดงสถานะ 2. ปุ่มตรวจสอบ

กดปุ่ม ตรวจสอบ บนดัลบีแบตเตอรี่เพื่อดูปริมาณแบตเตอรี่ที่เหลือ ไฟแสดงสถานะจะสว่างขึ้นเป็นเวลาสองสามวินาที

ไฟแสดงสถานะ			แบตเตอรี่ที่เหลือ
ไฟสว่าง	ดับ	กะพริบ	
■	□	▧	75% ถึง 100%
■ ■ ■ ■	□ □ □ □		
■ ■ ■ ■	□ □ □ □		50% ถึง 75%
■ ■ ■ ■	□ □ □ □		25% ถึง 50%
■ ■ ■ ■	□ □ □ □		0% ถึง 25%
▧ □ □ □	□ □ □ □		ชาร์จไฟแบตเตอรี่
■ ■ ■ ■	□ □ □ □		แบตเตอรี่อาจจะเสีย
□ □ □ □	■ ■ ■ ■		

หมายเหตุ: ขึ้นอยู่กับสภาพการใช้งานและอุณหภูมิโดยรวม การแสดงสถานะอาจจะแตกต่างจากปริมาณแบตเตอรี่จริงเล็กน้อย

## ระบบป้องกันเครื่องมือ/แบตเตอรี่

เครื่องมือมีระบบป้องกันเครื่องมือ/แบตเตอรี่ ระบบนี้จะตัดไฟที่ส่งไปยังมอเตอร์โดยอัตโนมัติเพื่อป้องกันการใช้งานเครื่องมือและแบตเตอรี่ เครื่องมือจะหยุดทำงานระหว่างการใช้งานโดยอัตโนมัติ หากเครื่องมือหรือแบตเตอรี่อยู่ภายใต้สถานการณ์ต่อไปนี้

### การป้องกันโอเวอร์โหลด

เมื่อแบตเตอรี่ทำงานในลักษณะที่อาจใช้กระแสไฟฟ้าสูงผิดปกติ เครื่องมือจะหยุดทำงานโดยอัตโนมัติ และสัญญาณไฟหลักจะกะพริบเป็นสีเขียว ในกรณีนี้ ให้ปิดเครื่องมือและหยุดการใช้งานที่อาจทำให้เครื่องมือทำงานหนักเกินไป แล้วเปิดเครื่องมือเพื่อเริ่มการทำงานอีกครั้ง

## การป้องกันความร้อนสูงเกิน

เมื่อเครื่องมือหรือแบตเตอรี่มีความร้อนสูงเกินไป เครื่องมือจะหยุดทำงานโดยอัตโนมัติและสัญญาณไฟหลักจะกะพริบเป็นสีแดง ในกรณีนี้ ปล่อยให้เครื่องมือและแบตเตอรี่เย็นลงก่อนที่จะเปิดเครื่องมืออีกครั้ง

หมายเหตุ: ในสภาพแวดล้อมที่มีอุณหภูมิสูง ระบบป้องกันความร้อนสูงเกินไปจะทำงานและเครื่องมือจะหยุดทำงานโดยอัตโนมัติ

## การป้องกันไฟไหม้

เมื่อความจุแบตเตอรี่ไม่เพียงพอ เครื่องมือจะหยุดทำงานโดยอัตโนมัติและสัญญาณไฟหลักจะกะพริบเป็นสีแดง ในกรณีนี้ ให้ถอดแบตเตอรี่ออกจากเครื่องมือและนำแบตเตอรี่ไปชาร์จไฟ

## สวิตช์ไฟหลัก

⚠ คำเตือน: ปิดสวิตช์ไฟหลักเสมอเมื่อไม่ได้ใช้งาน

การเปิดเครื่องมือ ให้กดสวิตช์ไฟหลักจนกระทั่งสัญญาณไฟหลักสว่างขึ้นเป็นสีเขียว เมื่อต้องการปิด ให้กดสวิตช์ไฟหลักอีกครั้ง

► หมายเลข 6: 1. สัญญาณไฟหลัก 2. ไฟแสดงสถานะไหม้ 3. สวิตช์ไฟหลัก

หมายเหตุ: สัญญาณไฟหลักจะกะพริบเมื่อสวิตช์สั่งงานถูกกดภายใต้สภาวะที่ไม่สามารถทำงานได้ สัญญาณไฟจะกะพริบในสภาวะใดสภาวะหนึ่งดังต่อไปนี้

- เมื่อคุณเปิดสวิตช์ไฟหลักขณะกดก้านปลดล็อกและสวิตช์สั่งงานลง
- เมื่อคุณกดสวิตช์สั่งงานในขณะที่มีการใช้งานเบรกโช้
- เมื่อคุณปล่อยเบรกโช้ขณะกดก้านปลดล็อกคลงและกดสวิตช์สั่งงาน

หมายเหตุ: เครื่องมือนี้มีฟังก์ชันการปิดแบบอัตโนมัติเพื่อหลีกเลี่ยงการเริ่มใช้งานเครื่องมือโดยไม่ตั้งใจ สวิตช์ไฟหลักจะปิดโดยอัตโนมัติเมื่อไม่มีการกดสวิตช์สั่งงานภายในระยะเวลาหนึ่งหลังจากเปิดสวิตช์ไฟหลักแล้ว

คุณสามารถใช้เครื่องมือในโหมดเพิ่มแรงบิด (Torque Boost) ในการตัดกิ่งไม้ขนาดใหญ่หรือกิ่งไม้ที่แข็ง การใช้เครื่องมือในโหมดเพิ่มแรงบิด เมื่อเปิดเครื่องมือแล้ว ให้กดสวิตช์ไฟหลักค้างไว้สักครู่จนกระทั่งไฟแสดงสถานะไหม้สว่างขึ้นเป็นสีเขียว

**หมายเหตุ:** คุณสามารถใช้เครื่องมือในโหมดเพิ่มแรงบิดได้สูงสุด 60 วินาที โหมดนี้จะเปลี่ยนจากโหมดปกติภายในระยะเวลาไม่เกิน 60 วินาที ขึ้นอยู่กับสภาวะการใช้งาน

**หมายเหตุ:** หากไฟแสดงสถานะโหมดกะพริบเป็นสีเขียวเมื่อคุณกดสวิตช์ไฟหลักค้างไว้สักครู่ โหมดเพิ่มแรงบิดจะไม่สามารถใช้งานได้ ในกรณีนี้ ให้ปฏิบัติตามขั้นตอนด้านล่างนี้

- โหมดเพิ่มแรงบิดจะไม่สามารถใช้งานได้หลังจากทำการตัดทันที โปรดรอเป็นเวลา 10 วินาทีขึ้นไป จากนั้นกดสวิตช์ไฟหลักค้างไว้สักครู่อีกครั้ง
- หากคุณใช้โหมดเพิ่มแรงบิดหลายๆ ครั้ง การใช้โหมดเพิ่มแรงบิดจะถูกจำกัดเพื่อปกป้องแบตเตอรี่ หากไม่สามารถใช้โหมดเพิ่มแรงบิดได้หลังจากรอเกินกว่า 10 วินาทีแล้ว ให้เปลี่ยนดัลบีแบตเตอรี่ด้วยดัลบีแบตเตอรี่ที่ชาร์จเต็มแล้วหรือชาร์จดัลบีแบตเตอรี่ใหม่

**หมายเหตุ:** หากสัญญาณไฟหลักสว่างเป็นสีแดง หรือกะพริบเป็นสีแดงหรือสีเขียว โปรดอ้างอิงตามคำแนะนำเกี่ยวกับระบบการป้องกันเครื่องมือ/แบตเตอรี่

## การทำงานของสวิตช์

**คำเตือน:** เพื่อความปลอดภัยของคุณ เครื่องมือนี้มีส่วนปลดล็อกติดตั้งมาด้วยซึ่งจะช่วยป้องกันไม่ให้เครื่องมือสตาร์ทโดยไม่ได้ตั้งใจ ห้ามใช้เครื่องมือหากเครื่องมือสามารถทำงานได้เมื่อคุณดึงสวิตช์สั่งงานโดยไม่ได้กดก้านปลดล็อก นำเครื่องมือส่งศูนย์บริการที่ผ่านการรับรองของเราเพื่อทำการซ่อมแซมก่อนการใช้งาน

**คำเตือน:** ห้ามพันเทปหรือขัดขวางการทำงานของก้านปลดล็อก

**ข้อควรระวัง:** ก่อนใส่ดัลบีแบตเตอรี่ลงในเครื่องมือ ให้ตรวจสอบว่าสวิตช์สั่งงานสามารถทำงานได้อย่างถูกต้อง และกลับไปยังตำแหน่ง "ปิด" เมื่อปล่อย

**ข้อสังเกต:** ย่อดึงสวิตช์สั่งงานแรงๆ โดยไม่ได้กดก้านปลดล็อก การทำเช่นนี้อาจทำให้สวิตช์เสียหายได้

เพื่อป้องกันไม่ให้สวิตช์สั่งงานถูกกดโดยไม่ได้ตั้งใจมีส่วนปลดล็อกติดตั้งไว้ การเริ่มใช้งานเครื่องมือ ให้กดก้านปลดล็อกคลงแล้วกดสวิตช์สั่งงาน ความเร็วของเครื่องมือจะเพิ่มขึ้นเมื่อออกแรงกดที่สวิตช์สั่งงานเพิ่มขึ้น ปล่อยสวิตช์สั่งงานเพื่อหยุดการทำงาน

▶ **หมายเลข 7:** 1. สวิตช์สั่งงาน 2. ก้านปลดล็อก

## การตรวจสอบเบรกโช้

**ข้อควรระวัง:** ถือปล่อยโช้ยนต์ด้วยมือทั้งสองเมื่อเปิดสวิตช์ ถือมือจับด้านบนด้วยมือข้างขวา ถือมือจับด้านหน้าด้วยมือข้างซ้าย แผ่นบังคับโช้และโช้จะต้องไม่สัมผัสกับวัตถุใดๆ

**ข้อควรระวัง:** หากโช้ปล่อยไม่หยุดทำงานในทันทีเมื่อมีการทดสอบเช่นนี้ อาจห้ามใช้งานเลื่อยภายใต้สถานการณ์ใดๆ บริการศูนย์บริการที่ผ่านการรับรองของเรา

1. กดก้านปลดล็อก จากนั้นค่อยดึงสวิตช์สั่งงาน โช้ปล่อยจะเริ่มทำงานทันที
  2. ดันที่ป้องกันมือด้านหน้าไปข้างหน้าโดยใช้หลังมือของคุณ ตรวจสอบให้แน่ใจว่าโช้ยนต์หยุดนิ่งโดยทันที
- ▶ **หมายเลข 8:** 1. ที่ป้องกันมือด้านหน้า 2. ตำแหน่งปลดล็อก 3. ตำแหน่งล็อก

## การตรวจสอบเบรกที่ผ่านการใช้งานมานาน

**ข้อควรระวัง:** หากโช้ปล่อยไม่หยุดทำงานภายในสองวินาทีในการทดสอบนี้ ให้หยุดการใช้งานโช้ยนต์นั้น และปรึกษาศูนย์บริการที่ผ่านการรับรองของเรา

เดินเครื่องโช้ยนต์ จากนั้นปล่อยสวิตช์สั่งงานออกจนสุด โช้ยนต์ต้องหยุดนิ่งภายในสองวินาที

## การปรับการหล่อลื่นโช้

คุณสามารถปรับอัตราการป้อนน้ำมันด้วยสกรูปรับโดยใช้ประแจทั่วไป สามารถปรับปริมาณน้ำมันได้ใน 3 ขั้นตอน เปิดฝาปิดเพื่อปรับสกรูปรับ

▶ **หมายเลข 9:** 1. ฝาปิด 2. สกรูปรับ

## การบีบเนอร์ (ลูดยึดจับเชือก)

คุณสามารถแขวนเครื่องมือโดยยึดเชือกเข้ากับคาร์บิเนอร์ ดึงคาร์บิเนอร์ขึ้น จากนั้นมัดไว้กับเชือก

▶ **หมายเลข 10:** 1. คาร์บิเนอร์

## ระบบไฟฟ้า

อุปกรณ์ถูกติดตั้งด้วยระบบไฟฟ้าเพื่อให้ใช้งานได้ง่าย

- ระบบควบคุมความเร็วคงที่  
ระบบควบคุมความเร็วช่วยให้ระบบควบคุมความเร็วคงที่ได้ไม่ว่าจะอยู่ในสภาวะการทำงานใดๆ

## การประกอบ

**⚠ ข้อควรระวัง:** ตรวจสอบให้แน่ใจว่าได้ปิดสวิทช์เครื่องมือและถอดถลับแบตเตอรี่ออกก่อนดำเนินการใดๆ กับเครื่องมือ

**⚠ ข้อควรระวัง:** ห้ามสัมผัสโช้เลื่อยด้วยมือเปล่า ใส่ถุงมือขณะจับโช้เลื่อยเสมอ

## การถอดและการติดตั้งโช้เลื่อย

**⚠ ข้อควรระวัง:** โช้เลื่อยปลงแบริงยังคงร้อนหลังจากการใช้งาน ปล่อยให้เย็นก่อนการเริ่มใช้งานเครื่องมือ

**⚠ ข้อควรระวัง:** ดำเนินการตามขั้นตอนการติดตั้งหรือการถอดโช้เลื่อยในสถานที่สะอาดโดยปราศจากขี้เลื่อยและวัตถุคล้ายคลึง

สำหรับการถอดโช้เลื่อย ให้ปฏิบัติตามขั้นตอนดังนี้:

1. ปลดเบรกโช้โดยการดึงที่ป้องกันมือด้านหน้า
  2. คลายสกรูปรับโช้ จากนั้นคลายน็อตยึด
- ▶ **หมายเลข 11:** 1. สกรูปรับโช้ 2. น็อตยึด
3. ถอดฝาครอบเสตอร์ จากนั้นถอดโช้เลื่อยและแบริงจากตัวเครื่องเลื่อยโซ่ยนต์

สำหรับการติดตั้งโช้เลื่อย ให้ปฏิบัติตามขั้นตอนดังนี้:

1. ตรวจสอบทิศทางของโช้เลื่อย จัดให้ทิศทางของโช้เลื่อยตรงกับเครื่องหมายบนตัวเครื่องเลื่อยโซ่ยนต์
2. ติดตั้งปลายด้านหนึ่งของโช้เลื่อยบริเวณด้านบนของแผ่นบังคับโช้
3. ติดตั้งปลายอีกด้านหนึ่งของโช้เลื่อยรอบเฟืองโช้ จากนั้นติดตั้งแผ่นบังคับโช้เข้ากับตัวเครื่องเลื่อยโซ่ยนต์ จัดตำแหน่งของรูบนแผ่นบังคับโช้ให้ตรงกับสลักบนตัวเครื่องเลื่อยโซ่ยนต์

▶ **หมายเลข 12:** 1. เสตอร์ 2. รู

4. สอดส่วนที่ยื่นออกมาและสอดสลักที่ด้านบนฝาครอบเฟืองโช้เข้ากับตัวเครื่องเลื่อยโซ่ยนต์ จากนั้นปิดฝาครอบ โดยให้สลักเกลียวและสลักบนเลื่อยโซ่ยนต์ประกบเข้ากับคู่มือของฝับนบนฝาครอบ

▶ **หมายเลข 13:** 1. ส่วนที่ยื่นออกมา 2. ฝาครอบเฟืองโช้ 3. สลักเกลียว 4. สลัก

5. ขันน็อตยึดเพื่อยึดฝาครอบเฟืองโช้ จากนั้นคลายออกเล็กน้อยเพื่อปรับแรงตึง

▶ **หมายเลข 14:** 1. น็อตยึด

## การปรับแรงตึงของโช้เลื่อย

**⚠ ข้อควรระวัง:** อย่าขันโช้เลื่อยให้แน่นมากจนเกินไป โช้เลื่อยที่ตึงเกินไปอาจทำให้โช้เลื่อยแตกหัก และทำให้แผ่นบังคับโช้เสื่อมสภาพได้

**⚠ ข้อควรระวัง:** โช้ที่หลวมมากเกินไปสามารถตีออกจากแบริง และอาจก่อให้เกิดอุบัติเหตุหรือการบาดเจ็บได้

โช้เลื่อยอาจหลวมหลังจากการใช้งานหลายชั่วโมง คอยตรวจสอบแรงตึงของโช้เลื่อยเป็นครั้งคราวก่อนการใช้งาน

1. ปลดเบรกโช้โดยการดึงที่ป้องกันมือด้านหน้า
2. คลายน็อตยึดเล็กน้อยเพื่อคลาย โช้ คลายฝาครอบเฟืองโช้

▶ **หมายเลข 15:** 1. น็อตยึด

3. ยกปลายแผ่นบังคับโช้ขึ้นเล็กน้อยและปรับแรงตึงของโช้ หมุนสกรูปรับโช้ตามเข็มนาฬิกาเพื่อขันให้แน่น และหมุนทวนเข็มนาฬิกาเพื่อคลาย

**สำหรับโช้เลื่อย 90PX และ 91PX:**

ขันโช้เลื่อยให้แน่นจนกระทั่งด้านล่างของโช้เลื่อยเข้ากับรางของแผ่นบังคับโช้ตามภาพ

▶ **หมายเลข 16:** 1. แบริง 2. โช้เลื่อย 3. สกรูปรับโช้

**สำหรับโช้เลื่อย 25AP:**

ขันโช้เลื่อยโดยให้มีช่องว่างระหว่างตรงกลางด้านล่างของแผ่นบังคับโช้กับโช้เลื่อยประมาณ 1 mm ถึง 2 mm

4. คอยจับแผ่นบังคับโช้ไว้เบาๆ และปิดฝาครอบเฟืองโช้ให้แน่น

**สำหรับโช้เลื่อย 90PX และ 91PX:**

ตรวจสอบให้แน่ใจว่าโช้เลื่อยที่ด้านล่างไม่หลวม

**สำหรับโช้เลื่อย 25AP:**

ตรวจสอบให้แน่ใจว่ามีช่องว่างระหว่างตรงกลางด้านล่างของแผ่นบังคับโช้กับโช้เลื่อยประมาณ 1 mm ถึง 2 mm

5. ขันน็อตยึดให้แน่นเพื่อยึดฝาปิดเฟืองโช้

▶ **หมายเลข 17:** 1. น็อตยึด

## การใช้งาน

### การหล่อลื่น

โซ่เลื่อยจะได้รับการหล่อลื่นโดยอัตโนมัติเมื่อมีการใช้งาน เครื่องมือ ตรวจสอบปริมาณน้ำมันที่หล่อในถังน้ำมันผ่านแผงตรวจสอบน้ำมันเป็นระยะๆ

การเติมน้ำมันลงในถัง ให้วางเลื่อยโซ่ยนต์ตะแคงข้าง จากนั้นกดฝาปิดถังน้ำมัน แล้วถอดฝาปิดถังน้ำมันออก ปริมาณน้ำมันที่เหมาะสมคือ 200 ml หลังจากการเติมน้ำมันลงในถัง ตรวจสอบให้แน่ใจว่าได้ขันฝาปิดถังน้ำมันจนแน่นแล้ว

- **หมายเลข 18:** 1. ฝาปิดถังน้ำมัน 2. แผงตรวจสอบน้ำมัน

หลังจากการเติม ให้ถือเลื่อยโซ่ยนต์ออกจากต้นไม้ เริ่มเปิดใช้งานและรอจนกระทั่งการหล่อลื่นบนโซ่เลื่อยเพียงพอ

- **หมายเลข 19**

**ข้อสังเกต:** เมื่อทำการเติมน้ำมันโซ่สำหรับเลื่อยโซ่ยนต์ในครั้งแรก หรือเติมถังน้ำมันหลังจากการใช้งานจนว่างเปล่า ให้เติมน้ำมันตรงขอบด้านล่างของคอกที่เติม มิฉะนั้นการจ่ายน้ำมันอาจจะไม่สมบูรณ์

**ข้อสังเกต:** ใช้ น้ำมันโซ่เลื่อยสำหรับเลื่อยโซ่ยนต์ Makita หรือเทียบเท่า น้ำมันที่จำหน่ายในท้องตลาดเท่านั้น

**ข้อสังเกต:** ห้ามใช้น้ำมันที่ผสมกับฝุ่นและอนุภาคเล็กๆ หรือน้ำมันหอมระเหย

**ข้อสังเกต:** เมื่อทำการตัดต้นไม้ ให้ใช้น้ำมันที่สกัดจากพืช น้ำมันมีเนอรอลอาจเป็นอันตรายแก่ต้นไม้

**ข้อสังเกต:** ก่อนการตัดไม้ ตรวจสอบให้แน่ใจว่าได้หมุนฝาปิดถังน้ำมันให้เข้าที่

## การทำงานร่วมกับเลื่อยโซ่ยนต์

▲ **ข้อควรระวัง:** ในครั้งแรกผู้ใช้ควรทำการบันทึกการตัดบนไม้รองเลื่อยหรือแท่นวางเป็นการปฏิบัติขั้นแรก

▲ **ข้อควรระวัง:** เมื่อทำการเลื่อยท่อนไม้แบบตัดแต่ง ให้ใช้แท่นรองสำหรับความปลอดภัย (มีารองเลื่อยหรือแท่นวาง) อย่ายืดชิ้นงานด้วยเท้าของคุณ และอย่าอนุญาตให้บุคคลอื่นถือหรือจับชิ้นงาน

▲ **ข้อควรระวัง:** ชันชิ้นงานวงกลมด้วยการหมุน

▲ **ข้อควรระวัง:** ดูแลร่างกายทุกส่วนให้ห่างจากโซ่เลื่อยในขณะที่เลื่อยกำลังทำงาน

▲ **ข้อควรระวัง:** ถือเลื่อยโซ่ยนต์ให้แน่นด้วยมือทั้งสองข้างเมื่อมอเตอร์กำลังทำงาน

▲ **ข้อควรระวัง:** อย่าทำงานในระยะที่มืดเอี่ยม จัดทำกรวยไฟและการทรงตัวให้เหมาะสมตลอดเวลา

**ข้อสังเกต:** ห้ามโยนหรือทำเครื่องมอดทกล่น

**ข้อสังเกต:** ห้ามให้มีสิ่งใดมาขวางหรือปิดช่องระบายอากาศของเครื่องมือ

### การตัดแต่งต้นไม้

นำตัวเครื่องเลื่อยโซ่ยนต์ให้สัมผัสกับกิ่งไม้เพื่อทำการตัดก่อนเปิดสวิตช์ มิฉะนั้น อาจทำให้แผ่นบังคับโซ่สายไปมาซึ่งจะทำให้ผู้ใช้ได้รับบาดเจ็บได้ เลื่อยไม้ที่ต้องการตัดโดยขยับเลื่อยลงโดยใช้น้ำหนักของตัวเครื่องเลื่อยโซ่ยนต์

- **หมายเลข 20**

หากคุณไม่สามารถตัดท่อนไม้ได้โดยผ่านการตัดจังหวะเดียว:

ให้ออกแรงดันเล็กน้อยกับมือจับและทำการเลื่อยต่อไป และดึงเลื่อยโซ่ยนต์กลับมาเล็กน้อย

- **หมายเลข 21**

เมื่อทำการตัดกิ่งไม้ขนาดใหญ่ ให้ทำการตัดส่วนล่างแบบตื้นก่อน แล้วจากนั้นทำการตัดให้เสร็จสิ้นจากด้านบน

- **หมายเลข 22**

หากคุณพยายามตัดกิ่งไม้ขนาดใหญ่จากด้านล่าง กิ่งไม้อาจเข้ามาใกล้และมีใบโซ่เลื่อยในการตัด หากคุณพยายามตัดกิ่งไม้ขนาดใหญ่จากด้านบนโดยไม่ทำการตัดส่วนล่างแบบตื้นก่อน กิ่งไม้อาจแตกเป็นเศษเล็กๆ

- **หมายเลข 23**

### การตัดเป็นท่อนซุง

1. วางตัวเครื่องเลื่อยโซ่ยนต์บนไม้เพื่อทำการตัด

- **หมายเลข 24**

2. ในขณะที่ใช้เลื่อยกำลังเคลื่อนที่ ให้เลื่อยไม่โดยการใช้นิ้วจับด้านบนเพื่อยกเลื่อยและนิ้วจับด้านหน้าเพื่อนำทิศทาง
3. ดำเนินการตัดต่อไปโดยการออกแรงดันเล็กน้อยกับมือจับด้านบน โดยปล่อยให้เลื่อยถอยกลับเล็กน้อย

**ข้อสังเกต:** เมื่อทำการตัดหลายครั้ง ให้ปิดสวิตช์ของเลื่อยไซเรนระหว่างการตัด

**⚠ ข้อควรระวัง:** หากมีการใช้ขอบด้านบนของแถบรางสำหรับการตัด เลื่อยไซเรนต้องหันเหไปในทิศทางของคุณในกรณีที่ใช้ตัดขวาง สำหรับกรณีนี้ ตัดด้วยขอบด้านล่าง ดังนั้นเลื่อยก็จะหันเหออกจากร่างกายของคุณ

▶ **หมายเลข 25**

เมื่อคุณตัดไม้ภายใต้แรงตึง ให้ตัดด้านแรงดัน (A) เป็นอันดับแรก จากนั้น ทำการตัดครั้งสุดท้ายจากด้านแรงตึง (B) ซึ่งจะป้องกันแถบรางจากการบิดงอ

▶ **หมายเลข 26**

**การโค่นต้นไม้**

**⚠ ข้อควรระวัง:** การโค่นต้นไม้อาจกระทำโดยบุคคลที่ได้รับการฝึกหัดมาเท่านั้น อันตรายจะเกิดขึ้นได้โดยความเสี่ยงของการติดกลับ

เมื่อทำการโค่นต้นไม้ รองรับเลื่อยไซเรนด้านบนลำต้นหากเป็นไปได้ อย่าตัดด้วยปลายแถบราง เนื่องจากจะเกิดความเสี่ยงของการติดกลับ

ใส่ให้เป็นพิเศษสำหรับกิ่งไม้ภายใต้แรงตึง อย่าตัดกิ่งไม้ที่ไม่มีการรองรับจากด้านล่าง  
อย่ายืนบนลำต้นที่หล่นลงมาเมื่อทำการโค่นต้นไม้

**การยกเครื่องมือ**

ก่อนการเคลื่อนย้ายเครื่องมือ ให้ใช้งานเบรกโซ่และถอดดัลล์แบบเตอ์ออกจากเครื่องเสมอ จากนั้นใส่ที่ครอบแถบราง นอกจากนี้ ปิดดัลล์แบบเตอ์ด้วยฝาครอบแบบเตอ์

- ▶ **หมายเลข 27:** 1. ฝาครอบแถบราง 2. ฝาครอบแบบเตอ์

**การบำรุงรักษา**

**⚠ ข้อควรระวัง:** ตรวจสอบให้แน่ใจว่าได้ปิดสวิตช์เครื่องมือและถอดดัลล์แบบเตอ์ออกก่อนทำการตรวจสอบหรือบำรุงรักษา

**⚠ ข้อควรระวัง:** สวมใส่ถุงมือเมื่อทำการตรวจเช็คหรือการซ่อมบำรุงอยู่เสมอ

**ข้อสังเกต:** อย่าใช้น้ำมันเชื้อเพลิง เบนซิน ทินเนอร์ แอลกอฮอล์ หรือวัสดุประเภทเดียวกัน เนื่องจากอาจทำให้ลื่นหรือสกปรก เลื่อยรูป หรือแตกเร็วได้

เพื่อความปลอดภัยและนำเชื้อถือของผลิตภัณฑ์ ควรให้ศูนย์บริการหรือโรงงานที่ผ่านการรับรองจาก Makita เป็นผู้ดำเนินการซ่อมแซม บำรุงรักษาและทำการปรับตั้งอื่นๆ นอกจากนี้ให้ใช้อะไหล่ของแท้จาก Makita เสมอ

**การลับโซ่เลื่อย**

ลับโซ่เลื่อยเมื่อ:

- โซ่เลื่อยที่เป็นผงเปิดขึ้นเมื่อตัดไม้ที่เปียกชื้น
- โซ่ตัดเนื้อไม้อย่างยากลำบาก แม้แต่การใช้แรงดันอย่างหนัก
- ขอบคมมีความเสียหายอย่างเห็นได้ชัด
- เลื่อยดึงไปทางซ้ายหรือทางขวาในเนื้อไม้ (เกิดจากการลับโซ่เลื่อยที่ไม่สม่ำเสมอ หรือความเสียหายแก่ด้านใดด้านหนึ่งเท่านั้น)

ลับโซ่เลื่อยเป็นประจำ แต่ลับเพียงเล็กน้อยในแต่ละครั้ง สองหรือสามจังหวะด้วยตะไบก็เพียงพอสำหรับการลับที่เป็นประจำ เมื่อทำการลับโซ่เลื่อยใหม่อีกหลายๆ ครั้ง ให้ทำการลับเลื่อยในศูนย์บริการที่ผ่านการรับรองของเรา

เกณฑ์ในการลับ:

**⚠ คำเตือน:** ระยะห่างระหว่างขอบตัดและเกวัดความลึกที่มากเกินไปจะเพิ่มความเสี่ยงของการติดกลับ

- ▶ **หมายเลข 28:** 1. ความยาวของหัวตัด 2. ระยะห่างระหว่างเกวัดความลึกและขอบตัด 3. ความยาวของหัวตัดอย่างต่ำ (3 mm)

- ความยาวของหัวตัดทั้งหมดต้องเท่ากัน ความยาวของหัวตัดที่ต่างกันจะทำให้โซ่วิ่งไม่ราบเรียบ และอาจทำให้โซ่เกิดแตกหัก
- ห้ามลับโซ่เมื่อความยาวของหัวตัดมีขนาด 3 mm หรือสั้นกว่า ควรเปลี่ยนโซ่เส้นใหม่
- ความหนาของเศษกึ่งถูกกำหนดโดยระยะห่างระหว่างเกวัดความลึก (รอบปลาย) และขอบตัด
- ผลลัพธ์ในการตัดที่ดีที่สุดจะได้รับด้วยระยะห่างต่อไปนี้ระหว่างขอบตัดและเกวัดความลึก
  - ใบเลื่อยโซ่ 90PX : 0.65 mm
  - ใบเลื่อยโซ่ 91PX : 0.65 mm
  - ใบเลื่อยโซ่ 25AP : 0.65 mm

▶ **หมายเลข 29**

- มุมในการลับที่ 30° ต้องเท่ากันสำหรับหัวตัดทุกตัว องศาของหัวตัดที่แตกต่างกันจะทำให้โซ่วิ่งไม่ราบเรียบ และไม่สม่ำเสมอ เป็นการเร่งการสึกหรอและนำไปสู่การแตกหักของโซ่
- ใช้ตะไบแบบกลมที่เหมาะสมเพื่อให้มีมุมในการลับที่ถูกต้องต่อฟันเลื่อย
  - ไบมีดโซ่ 90PX : 55°
  - ไบมีดโซ่ 91PX : 55°
  - ไบเลื่อยโซ่ 25AP : 55°

#### ตะไบและการใช้ตะไบ

- ใช้ตะไบกลมพิเศษ (อุปกรณ์สนับสนุนการทำงาน) สำหรับโซ่เลื่อยเพื่อลับโซ่ ตะไบกลมธรรมดาไม่เหมาะสำหรับการใช้งาน
  - เส้นผ่าศูนย์กลางของตะไบกลมสำหรับโซ่มีดังต่อไปนี้:
    - ไบเลื่อยโซ่ 90PX : 4.5 mm
    - ไบเลื่อยโซ่ 91PX : 4.0 mm
    - ไบเลื่อยโซ่ 25AP : 4.0 mm
  - ตะไบควรมีสอดคล้องกับหัวตัดในจังหวะไปข้างหน้าเท่านั้น ยกตะไบออกจากหัวตัดในจังหวะย้อนกลับ
  - ลับหัวตัดให้สั้นที่สุดในอันดับแรก จากนั้น ความยาวของหัวตัดที่สั้นที่สุดจะมีมาตรฐานสำหรับหัวตัดทุกหัวบนโซ่เลื่อย
  - ใช้ตะไบตามที่แสดงไว้ในรูปภาพ
- ▶ **หมายเลข 30:** 1. ตะไบ 2. โซ่เลื่อย

- ตะไบสามารถใช้งานได้อย่างง่ายดายหากมีการใช้งานที่จับตะไบ (อุปกรณ์สนับสนุนการทำงาน) ที่จับตะไบมีเครื่องหมายสำหรับองศาการลับที่ถูกต้องที่ 30° (สอดคล้องกับเครื่องหมายที่ตรงกับโซ่เลื่อย) และขีดจำกัดความลึกของการตีหมาง (4/5 ของเส้นผ่าศูนย์กลางตะไบ)

▶ **หมายเลข 31:** 1. ที่จับตะไบ

- หลังจากการลับโซ่ ตรวจสอบความสูงของเกจวัดความลึกโดยใช้เครื่องมือเกจวัดโซ่ (อุปกรณ์สนับสนุนการทำงาน)

▶ **หมายเลข 32**

- ขจัดวัสดุที่ยื่นออกมาต่างๆ ไม่ว่าจะมีความเล็กด้วยตะไบแบนพิเศษ (อุปกรณ์สนับสนุนการทำงาน)
- ทำให้ด้านหน้าของเกจวัดความลึกเรียบอีกครั้ง

### การทำความสะอาดแถบราง

เศษกึ่งและขี้เลื่อยจะก่อตัวขึ้นในร่องแถบราง ซึ่งอาจอุดตันร่องแถบและทำให้การไหลของน้ำมันบพร่อง ทำความสะอาดเศษกึ่งและขี้เลื่อยทุกครั้งเมื่อมีการลับหรือเปลี่ยนโซ่เลื่อย

▶ **หมายเลข 33**

### การทำความสะอาดฝาครอบสเตอร์

เศษกึ่งและขี้เลื่อยจะสะสมด้านในของฝาครอบสเตอร์ ถอดฝาครอบสเตอร์และโซ่เลื่อยออกจากเครื่องมือ จากนั้นทำความสะอาดเศษกึ่งและขี้เลื่อย

▶ **หมายเลข 34**

### การทำความสะอาดรูจ่ายน้ำมัน

เศษผงหรืออนุภาคเล็กๆ อาจก่อตัวขึ้นในรูจ่ายน้ำมันระหว่างการใช้งาน เศษผงหรืออนุภาคเหล่านี้อาจทำให้การไหลของน้ำมันบพร่อง และก่อให้เกิดการหลอกลื่นที่ไม่เพียงพอบนโซ่เลื่อยทั้งหมด เมื่อการจ่ายน้ำมันที่ไม่มีประสิทธิภาพของโซ่เกิดขึ้นบริเวณด้านบนแถบราง ให้ทำความสะอาดรูจ่ายน้ำมันดังนี้

1. ถอดฝาครอบสเตอร์และโซ่เลื่อยออกจากเครื่องมือ
2. เช็ดฝุ่นขนาดเล็กหรือเศษต่างๆ ออก โดยใช้ไขควงปากแบนหรือสิ่งที่มีลักษณะคล้ายคลึงกัน

▶ **หมายเลข 35:** 1. ไขควงหัวแบน 2. รูจ่ายน้ำมัน

3. ใส่ด้ามเบตเตอร์ลงไปบนเครื่องมือ ดึงสวิตซ์สั่งงานเพื่อเป่าเศษผงหรืออนุภาคที่ก่อตัวขึ้นออกจากรูจ่ายน้ำมันโดยจ่ายน้ำมันโซ่

4. ถอดด้ามเบตเตอร์ออกจากเครื่องมือ ติดตั้งฝาครอบสเตอร์และโซ่เลื่อยเข้าไปใหม่บนเครื่องมือ

### การเปลี่ยนสเตอร์

**⚠ ข้อควรระวัง:** สเตอร์ที่สึกหรอจะทำให้โซ่เลื่อยใหม่ชำรุด ให้เปลี่ยนสเตอร์ในกรณีเช่นนี้

ก่อนการติดตั้งโซ่เลื่อยใหม่ ตรวจสอบสภาพของสเตอร์

▶ **หมายเลข 36:** 1. สเตอร์ 2. ฟันที่สึกหรอ

ติดตั้งแหวนล็อกใหม่เมื่อเปลี่ยนสเตอร์ทุกครั้ง

▶ **หมายเลข 37:** 1. แหวนล็อก 2. สเตอร์

**ข้อสังเกต:** ตรวจสอบให้แน่ใจว่าได้ทำการติดตั้งสเตอร์ตามที่แสดงไว้ในภาพ



## การจัดเก็บเครื่องมือ

1. ทำความสะอาดเครื่องมือก่อนการจัดเก็บ นำเศษกลึง และขี้เลื่อยออกจากเครื่องมือหลังการถอดฝาครอบสเตอร์

2. หลังจากการล้างเครื่องมือ เปิดเครื่องโดยไม่ต้องมีการ โหลดเพื่อหล่อลื่นโซ่เลื่อยและแถบราง

3. ปิดแถบรางด้วยฝาครอบแถบราง

4. ทำให้ถึงน้ำมันว่างเปล่า

## คำแนะนำสำหรับการซ่อมบำรุงตามระยะเวลา

สำหรับการตรวจสอบอายุการใช้งาน หลักเรื่องความเสียหายและตรวจสอบให้มั่นใจว่ามีการปฏิบัติตามคุณสมบัติด้านความปลอดภัยและการซ่อมบำรุงอย่างเต็มที่เป็นประจำ การเรียกร้องการรับประกันสินค้าสามารถได้รับการยอมรับหากมีการใช้งาน เป็นปกติและเหมาะสมเท่านั้น ความผิดพลาดในการปฏิบัติงานซ่อมบำรุงที่กำหนดสามารถก่อให้เกิดอุบัติเหตุได้! ผู้ใช้เลื่อยโซ่ยนต์ต้องไม่ปฏิบัติงานซ่อมบำรุงซึ่งไม่ได้ระบุในคู่มือการใช้งานเล่มนี้ ต้องมีการปฏิบัติงานดังกล่าวทั้งหมดโดยศูนย์ให้บริการ ที่ผ่านการรับรองของเรา

ตรวจสอบรายการ / ระยะเวลาในการใช้งาน	ก่อนใช้งาน	ทุกวัน	ทุกสัปดาห์	ทุกๆ 3 เดือน	ทุกปี	ก่อนการจัดเก็บ
เลื่อยโซ่ยนต์	การตรวจเช็ค	✓	-	-	-	-
	การทำความสะอาด	-	✓	-	-	-
	ตรวจสอบที่ ศูนย์ให้บริการ ที่ผ่านการรับรอง	-	-	-	-	✓
โซ่เลื่อย	การตรวจเช็ค	✓	-	-	-	-
	การลับคมหากจำเป็น	-	-	-	-	✓
แถบราง	การตรวจเช็ค	✓	✓	-	-	-
	ถอดออกจาก เลื่อยโซ่ยนต์	-	-	-	-	✓
เบรกโซ่	ตรวจสอบการทำงาน	✓	-	-	-	-
	ได้มีการตรวจเช็คตามปกติที่ ศูนย์ให้บริการ ที่ผ่านการรับรอง	-	-	-	✓	-
การหล่อลื่นโซ่	ตรวจสอบ อัตราการจ่าย น้ำมัน	✓	-	-	-	-
สวิตช์สั่งงาน	การตรวจเช็ค	✓	-	-	-	-
ก้านปลดล๊อค	การตรวจเช็ค	✓	-	-	-	-
ฝาปิดถังน้ำมัน	ตรวจสอบ ความฝืด	✓	-	-	-	-
ตัวป้องกันโซ่	การตรวจเช็ค	-	-	✓	-	-
สกรูและน็อต	การตรวจเช็ค	-	-	✓	-	-

# การแก้ไขปัญหา

ก่อนนำไปซ่อม ให้ทำการตรวจสอบด้วยตัวเองก่อน หากพบปัญหาที่ไม่มีอธิบายในคู่มือการใช้งาน อย่าพยายามถอดแยกเครื่องมือ แต่ให้นำไปซ่อมที่ศูนย์บริการหรือโรงงานที่ผ่านการรับรองจาก Makita และใช้ชิ้นส่วนอะไหล่ของ Makita

สถานะการทำงานที่ผิดปกติ	สาเหตุ	การดำเนินการ
เลื่อยโซ่ยนต์ไม่เริ่มทำงาน	ยังไม่ได้ติดตั้งดัลป์แบตเตอรี่	ติดตั้งดัลป์แบตเตอรี่ที่ชาร์จไฟแล้ว
	ปัญหาแบตเตอรี่ (แรงดันไฟฟ้าต่ำ)	ชาร์จดัลป์แบตเตอรี่ใหม่ หากการชาร์จแบตเตอรี่ใหม่ไม่ได้ผล ให้เปลี่ยนดัลป์แบตเตอรี่
	สวิตช์ไฟหลักถูกปิด	เลื่อยโซ่ยนต์จะปิดโดยอัตโนมัติ หากไม่มีการใช้งานภายในระยะเวลาหนึ่ง เปิดสวิตช์ไฟหลักอีกครั้ง
โซ่เลื่อยไม่ทำงาน	เปิดใช้งานเบรกโซ่แล้ว	ปล่อยเบรกโซ่
มอเตอร์หยุดทำงานหลังจากใช้งานไปได้เล็กน้อย	ระดับการชาร์จของแบตเตอรี่ต่ำ	ชาร์จดัลป์แบตเตอรี่ใหม่ หากการชาร์จแบตเตอรี่ใหม่ไม่ได้ผล ให้เปลี่ยนดัลป์แบตเตอรี่
ไม่มีน้ำมันอยู่บนโซ่	ถังน้ำมันว่างเปล่า	เติมลงในถังน้ำมัน
	ร่องน้ำมันสกปรก	ทำความสะอาดร่องน้ำมัน
	การจ่ายน้ำมันไม่ดีพอ	ปรับปริมาณการจ่ายน้ำมันด้วยสกรูปรับ
เลื่อยโซ่ยนต์หมุนด้วยรอบความเร็วสูงสุดไม่ได้	ดัลป์แบตเตอรี่ติดตั้งอย่างไม่ถูกต้อง	ติดตั้งดัลป์แบตเตอรี่ตามที่อธิบายในคู่มือการใช้งานนี้
	กำลังของแบตเตอรี่ต่ำลง	ชาร์จดัลป์แบตเตอรี่ใหม่ หากการชาร์จแบตเตอรี่ใหม่ไม่ได้ผล ให้เปลี่ยนดัลป์แบตเตอรี่
	ระบบขับเคลื่อนไม่ทำงานอย่างถูกต้อง	สอบถามศูนย์บริการที่ผ่านการรับรองในพื้นที่ของคุณเพื่อทำการซ่อมแซม
สัญญาณไฟหลักจะกะพริบเป็นสีเขียว	สวิตช์สั่งงานถูกดึงภายใต้สภาพที่ไม่สามารถทำงานได้	ดึงสวิตช์สั่งงานหลังจากเปิดสวิตช์ไฟหลักและมีการปล่อยเบรกโซ่
โซ่ไม่หยุดทำงานถึงแม้ว่าจะมีการเปิดใช้งานเบรกโซ่ <b>หยุดเครื่องโดยทันที!</b>	แถบเบรกเสื่อมสภาพ	สอบถามศูนย์บริการที่ผ่านการรับรองในพื้นที่ของคุณเพื่อทำการซ่อมแซม
การสั่นสะเทือนผิดปกติ <b>หยุดเครื่องโดยทันที!</b>	แถบรางหรือโซ่เลื่อยหลวม	ปรับแรงตึงของแถบรางและโซ่เลื่อย
	การทำงานผิดพลาดของเครื่องมือ	สอบถามศูนย์บริการที่ผ่านการรับรองในพื้นที่ของคุณเพื่อทำการซ่อมแซม
ไม่สามารถใช้งานโหมดเพิ่มแรงบิดได้หลังจากเปลี่ยนเป็นดัลป์แบตเตอรี่ที่ชาร์จไฟจนเต็ม	โหมดเพิ่มแรงบิดจะไม่สามารถใช้งานได้หลังจากเปลี่ยนดัลป์แบตเตอรี่ซึ่งขึ้นอยู่กับสถานะการใช้งาน	ใช้เครื่องมือในโหมดปกติจนกระทั่งดัลป์แบตเตอรี่ที่ติดตั้งอยู่หมด จากนั้นเปลี่ยนเป็นดัลป์แบตเตอรี่ที่ชาร์จไฟจนเต็ม หรือชาร์จดัลป์แบตเตอรี่ใหม่
ไม่สามารถติดตั้งโซ่เลื่อยได้	ส่วนประกอบของโซ่เลื่อยและเฟืองโซ่ไม่ถูกต้อง	ใช้ส่วนประกอบของโซ่เลื่อยและเฟืองโซ่ที่ถูกต้องโดยดูที่ส่วนข้อมูลจำเพาะ

## อุปกรณ์เสริม

**⚠ ข้อควรระวัง:** ขอแนะนำให้ใช้เฉพาะอุปกรณ์เสริมหรืออุปกรณ์ต่อพ่วงเหล่านี้กับเครื่องมือ Makita ที่ระบุในคู่มือการใช้อุปกรณ์เสริมหรืออุปกรณ์ต่อพ่วงอื่นๆ อาจมีความเสี่ยงที่จะได้รับบาดเจ็บ ใช้อุปกรณ์เสริมหรืออุปกรณ์ต่อพ่วงตามวัตถุประสงค์ที่ระบุไว้เท่านั้น

หากต้องการทราบรายละเอียดเพิ่มเติมเกี่ยวกับอุปกรณ์เสริมเหล่านี้ โปรดสอบถามศูนย์บริการ Makita ใกล้บ้านคุณ

- โซ่เลื่อย
- แถบราง
- ฝาครอบแถบราง
- เฟืองโซ่
- ตะใบ
- แบตเตอรี่และเครื่องชาร์จ Makita ของแท้

**⚠ คำเตือน:** หากคุณซื้อแถบรางที่มีความยาวต่างไปจากแถบรางมาตรฐาน ให้ซื้อฝาครอบแถบรางที่เหมาะสมด้วย จะต้องใส่แถบรางได้พอดีและครอบแถบรางให้สนิทบนเลื่อยโซ่ยนต์

**หมายเหตุ:** อุปกรณ์บางรายการอาจจะรวมอยู่ในชุดเครื่องมือเป็นอุปกรณ์มาตรฐาน ซึ่งอาจแตกต่างกันไปในแต่ละประเทศ

**Makita Corporation**  
3-11-8, Sumiyoshi-cho,  
Anjo, Aichi 446-8502 Japan  
[www.makita.com](http://www.makita.com)

885722-378  
EN, ID, VI, TH  
20190320