

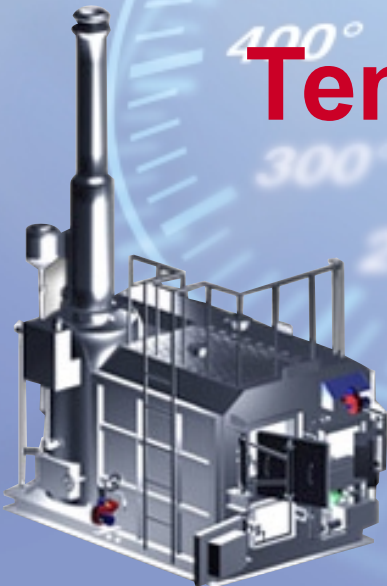
OMRON



Temperature Sensors

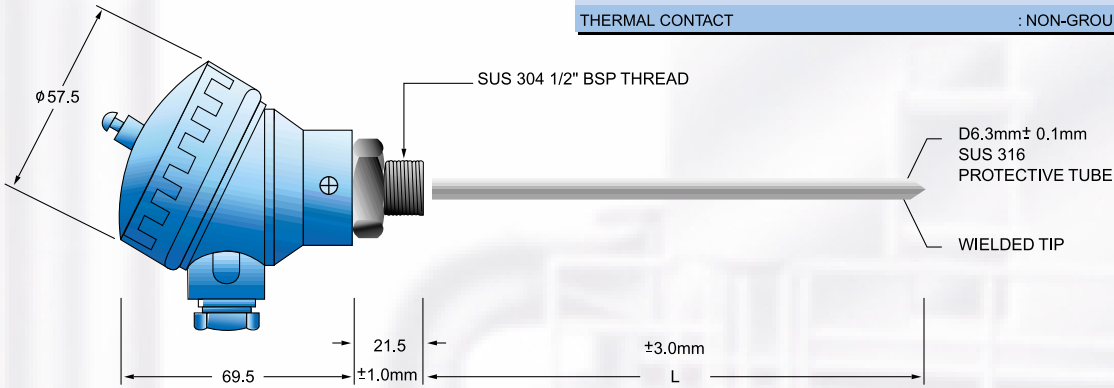
■ E52MY-Series

- High reliability sensor with reasonable price.
- Made from high quality sensing element.
- Excellent stability and high accuracy.
- Suitable for corrosive medium at high temperature.
- Each sensor meets Omron's stringent testing procedure.



E52MY-PT C SUS 316

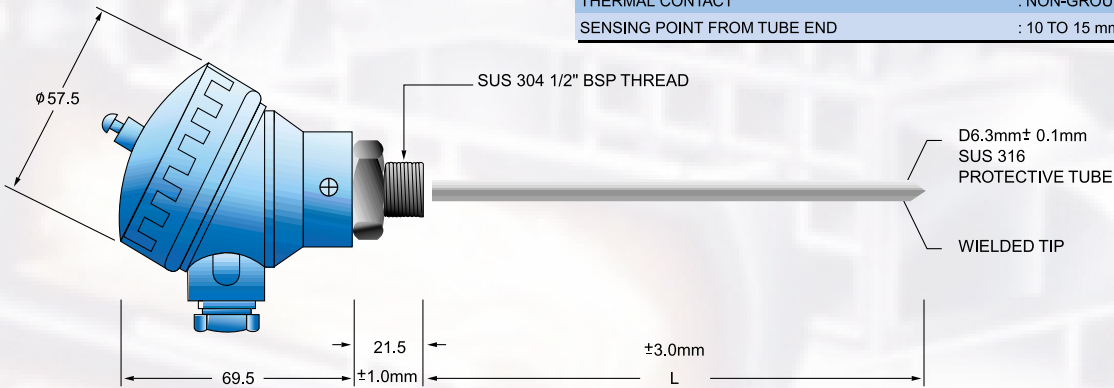
SPECIFICATION	
TYPE OF ELEMENT	: DIN PT100Ω
CLASS	: B
INSULATION FOR INNERLEAD WIRE	: CERAMIC
TERMINAL HEAD MATERIAL	: ALUMINIUM DIECAST (BLUE)
PROTECTIVE TUBING MATERIAL	: SUS316 (AISI-316L)(SEAMLESS PIPE)
MEASUREMENT RANGE	: 0°C TO 400°C
AMBIENT TEMPERATURE FOR TERMINAL HEAD	: 0°C TO 80°C
TYPE OF CONDUCTOR	: 3 CONDUCTOR SYSTEM
THERMAL CONTACT	: NON-GROUNDED TYPE



unit (mm)	
D	L
6.3	100
6.3	150
6.3	200
6.3	300

E52MY-CA C SUS 316

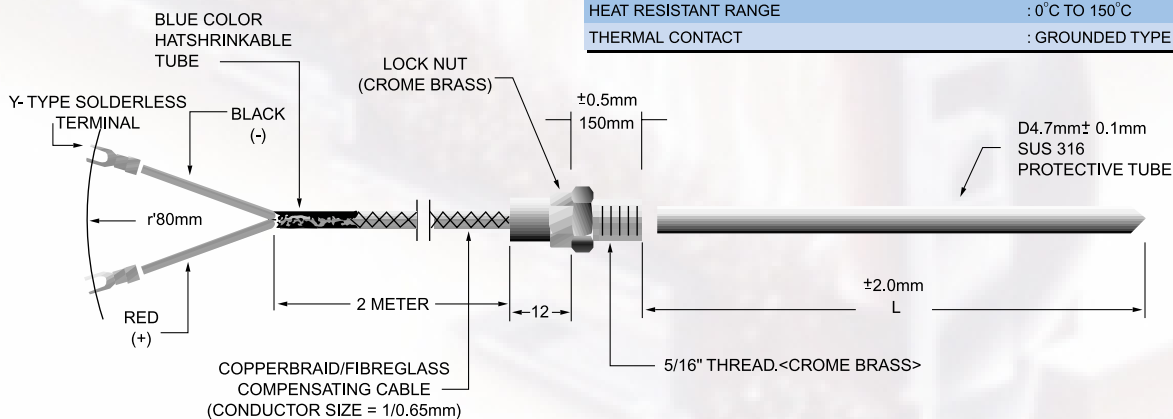
SPECIFICATION	
TYPE OF ELEMENT	: K-TYPE, CHROMEL (+ve) ALUMEL (-ve) (JISC 1602)
CLASS	: 0.75
ELEMENT SIZE	: 1 mm
INSULATION FOR INNERLEAD WIRE	: CERAMIC
TERMINAL HEAD MATERIAL	: ALUMINIUM DIECAST (BLUE)
PROTECTIVE TUBING MATERIAL	: SUS316 (AISI-316L)(SEAMLESS PIPE)
MEASUREMENT RANGE	: 0°C TO 900°C
AMBIENT TEMPERATURE FOR TERMINAL HEAD	: 0°C TO 80°C
THERMAL CONTACT	: NON-GROUNDED TYPE
SENSING POINT FROM TUBE END	: 10 TO 15 mm



unit (mm)	
D	L
6.3	100
6.3	150
6.3	200
6.3	300

E52MY-CA D SUS 316

SPECIFICATION	
TYPE OF ELEMENT	: K-TYPE, CHROMEL (+ve) ALUMEL (-ve) (JISC 1602)
CLASS	: 0.75
ELEMENT SIZE	: 0.65 mm
INSULATION FOR ELEMENT	: FIBREGLASS
PROTECTIVE TUBING MATERIAL	: SUS316 (AISI-316L)(SEAMLESS PIPE)
MEASUREMENT RANGE	: 0°C TO 400°C
HEAT RESISTANT RANGE	: 0°C TO 150°C
THERMAL CONTACT	: GROUNDED TYPE



unit (mm)	
D	L
4.7	100
4.7	150