

Thank you for choosing **Schneider Electric** AvatarOn series products. To ensure proper application of our product, please read through the following information before installation and use.

This application guide applies to the following products.
(Notes: suffix _WE/WG/GH/LW/WD/ST_C5/G2 etc. mean the colors and sales areas)

Cat. No.	Description
E8331L1	16AX 250V 1 Gang 1 Way Sw
E8331L2	16AX 250V 1 Gang 2 Way Sw
E8332L1	16AX 250V 2 Gang 1 Way Sw
E8332L2	16AX 250V 2 Gang 2 Way Sw
E8333L1	16AX 250V 3 Gang 1 Way Sw
E8333L2	16AX 250V 3 Gang 2 Way Sw
E8334L1	16AX 250V 4 Gang 1 Way Sw
E8334L2	16AX 250V 4 Gang 2 Way Sw
E8331L1LED	16AX 250V 1 Gang 1 Way Sw w LED
E8331L2LED	16AX 250V 1 Gang 2 Way Sw w LED
E8332L1LED	16AX 250V 2 Gang 1 Way Sw w LED
E8332L2LED	16AX 250V 2 Gang 2 Way Sw w LED
E8333L1LED	16AX 250V 3 Gang 1 Way Sw w LED
E8333L2LED	16AX 250V 3 Gang 2 Way Sw w LED
E8334L1LED	16AX 250V 4 Gang 1 Way Sw w LED
E8334L2LED	16AX 250V 4 Gang 2 Way Sw w LED
E8331D20N	20A 250V 1 Gang 1 Way Double Pole Sw w LED
E8332D20N	20A 250V 2 Gang 1 Way Double Pole Sw w LED
E8331D32N	32A 250V 1 Gang 1 Way Double Pole Sw w LED
E8331D45N	45A 250V 1 Gang 1 Way Double Pole Sw w LED
E8331M	16AX 250V 1 Gang Intermediate Sw
E8331BPL1	10A 250V 1 Gang Bell Press Sw
E8332C	10A 2G Mechanical Curtain Sw
E8331PRL1	4A 250V 1G Momentary Sw
E8332PRL1	4A 250V 2G Momentary Sw
E8333PRL1	4A 250V 3G Momentary Sw
E8331	1G Sw Cover
E8331KH	1G Sw Cover w Keyholder
E8332	2G Sw Cover
E8333	3G Sw Cover
E8333KH	3G Sw Cover w Keyholder
E8334	4G Sw Cover
E8331P	1G Sw DIY Cover
E8332P	2G Sw DIY Cover
E8333P	3G Sw DIY Cover
E8334P	4G Sw DIY Cover

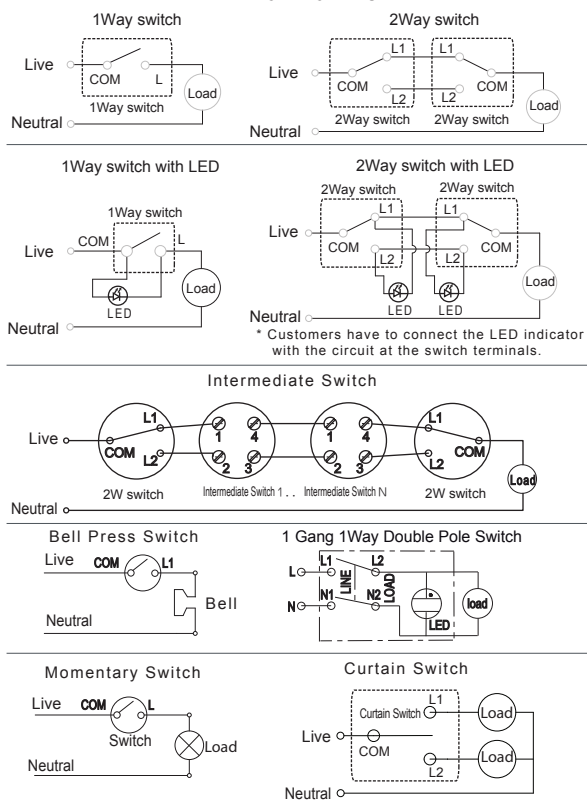
SPECIFICATIONS

Voltage : 250V~ Current : 4A/10A/16AX/20A/32A/45A
 Mounting centre : 60.3mm Compliance : IEC 60669-1, BS EN 60669-1
 Self-ballast light : 250W MSIEC 60669-1, SS 227-1
 (Cover: BS5733, IEC60670)

IMPORTANT NOTE

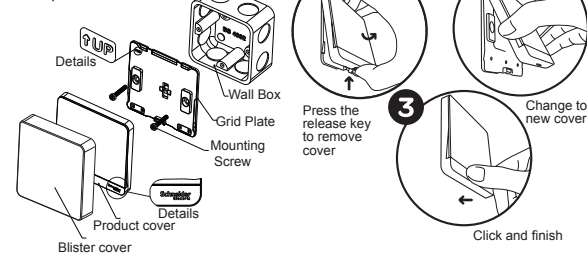
- The products must be installed by qualified electricians.
- Please check your local wiring regulations before installation.
- Please use the standard 86 size wallbox.
- Safekeeping the cover to prevent damage during product installation.
- Turn off the power supply when you clean the product. Use a piece of soft, slightly-moistened cloth or tissue paper to wipe off the dust and dirt on the surface. Avoid using corrosive chemicals.

WIRING DIAGRAMS



MOUNTING INSTRUCTION

- Remove the blister cover&product cover and safekeeping .
- Connect the wires to the terminals (recommend to leave 10-12mm bare metal wire) and tighten the terminal screws.
- Screw the grid plate onto the wall box.
- Snap the product cover.
- Snap the blister cover.



感謝閣下選用 **Schneider Electric** 施耐德電氣AvatarOn系列產品。在安裝及使用本產品前，請仔細閱讀內文指示。

此應用指引適用於以下產品型號：
(注：型號後綴_WE/WG/GH/LW/WD/ST_C5/G2等，僅代表外觀顏色和市場代號)

型號	摘要
E8331L1	16AX 250V 單位單控開關型
E8331L2	16AX 250V 單位雙控開關型
E8332L1	16AX 250V 兩位單控開關型
E8332L2	16AX 250V 兩位雙控開關型
E8333L1	16AX 250V 三位單控開關型
E8333L2	16AX 250V 三位雙控開關型
E8334L1	16AX 250V 四位單控開關型
E8334L2	16AX 250V 四位雙控開關型
E8331L1LED	16AX 250V 單位單控開關型連LED指示
E8331L2LED	16AX 250V 單位雙控開關型連LED指示
E8332L1LED	16AX 250V 兩位單控開關型連LED指示
E8332L2LED	16AX 250V 兩位雙控開關型連LED指示
E8333L1LED	16AX 250V 三位單控開關型連LED指示
E8333L2LED	16AX 250V 三位雙控開關型連LED指示
E8334L1LED	16AX 250V 四位單控開關型連LED指示
E8334L2LED	16AX 250V 四位雙控開關型連LED指示
E8331D20N	20A 250V 單位雙極開關型連LED指示
E8332D20N	20A 250V 兩位雙極開關型連LED指示
E8331D32N	32A 250V 單位雙極開關型連LED指示
E8331D45N	45A 250V 單位雙極開關型連LED指示
E8331M	16AX 250V 單位中途開關型
E8331BPL1	10A 250V 單位門鈴開關
E8332C	10A 兩位窗簾開關型
E8331PRL1	4A 250V 單位揀手掣
E8332PRL1	4A 250V 兩位揀手掣
E8333PRL1	4A 250V 三位揀手掣
E8331	單位開關面蓋
E8331KH	單位開關面蓋帶鑰匙扣
E8332	兩位開關面蓋
E8333	三位開關面蓋
E8333KH	三位開關面蓋帶鑰匙扣
E8334	四位開關面蓋
E8331P	單位開關DIY面蓋
E8332P	兩位開關DIY面蓋
E8333P	三位開關DIY面蓋
E8334P	四位開關DIY面蓋

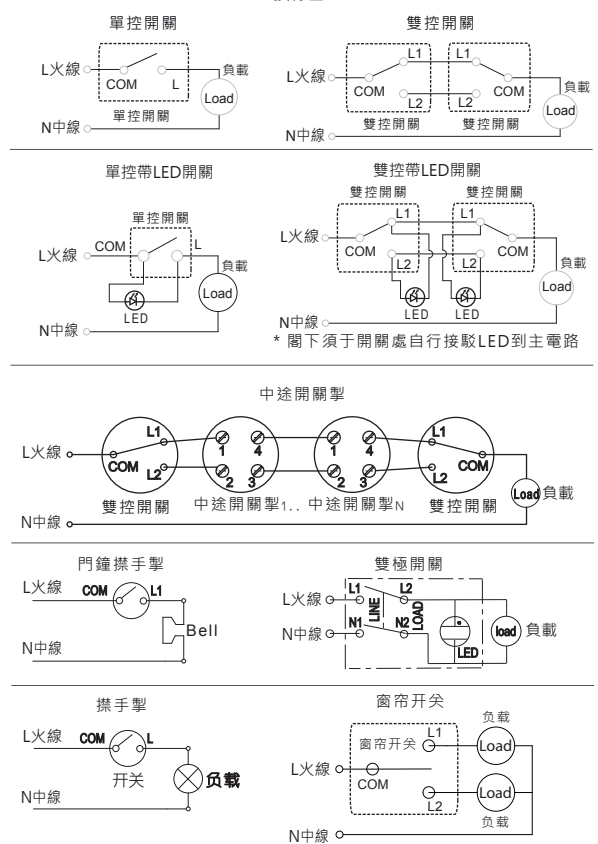
產品規格

工作電壓：250V~ 額定電流：4A/10A/16AX/20A/32A/45A
 安裝中心距離：60.3mm 安全標準：IEC 60669-1, BS EN 60669-1
 額定自鎮流光源：250W MSIEC 60669-1, SS 227-1
 (面蓋：BS5733, IEC60670)

注意事項

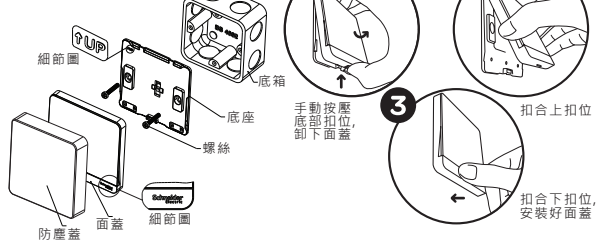
- 產品安裝須由符合資格的電工完成；
- 安裝前請查核是否抵觸當地之有關布線規例；
- 請搭配86型標準底箱以確保產品正常安裝操作；
- 產品安裝期間，請妥善放置與保管面蓋，以防磨損損壞；
- 清潔時，切記先關上電源，用軟性布料或紙巾抹拭表面的塵埃或髒物，切忌使用清潔劑及其它含有腐蝕性的化學溶液。

接線圖



安裝指南

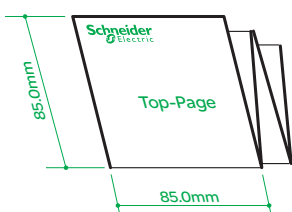
- 把防塵蓋及面蓋拿下，妥善放好；
- 把電線插入接線端子(建議剝線長度10-12mm),然後鎖緊螺絲以固定；
- 把產品固定於底箱；
- 安裝面蓋；
- 安裝防塵蓋。



> Note:
1/ 70g high quality uncoated Book-Paper (white).
2/ Double side printing.



> Folding / Appearance & Size :



> ARTWORK :
File Size = A3

DECN/ECN/TCAN	DESCRIPTION	DRN	REV
DECN201817979	SPECIFICATIONS updated	ZXZ	01
DECN201716898	Initial Release	ZXZ	00

NUMBER : QGH8009301 Revision: 01 Sheet: 1/1