

# E8Y

## Micropressure Sensor with Easy-to-Read Digital Display

- Repeat accuracy of  $\pm 1\%$  FS (setting resolution: 0.01 kPa), high-precision pressure control available.
- Compact design (31 × 30 × 30 mm) saves mounting space.
- Easy-to-read red LED indicator.
- Analog current output models available (E8Y-A□Y).
- Pressure port Rc (PT) 1/8 models available (-R).
- EN and UL approved.



## Ordering Information

### Sensors

Pressure range *	Digital output	Linear output	Model
0 to 200 Pa	NPN open collector	---	E8Y-AR2C
0 to 500 Pa			E8Y-AR5C
0 to 2.00 kPa			E8Y-A2C
0 to 5.00 kPa		4 to 20 mA	E8Y-A5C
0 to 200 Pa			E8Y-AR2Y
0 to 2.00 kPa			E8Y-A2Y
0 to 5.00 kPa	E8Y-A5Y		
0 to 5.00 kPa	PNP open collector		E8Y-A5B

Note: Order the optional E89-Y1 Panel-mounting Bracket.  
 A model number ending in -R indicates the pressure port is die-cast for Rc (PT) 1/8 models.

### Accessories (Order Separately)

#### Panel Attachment Parts Set (For □36 and □45 Models)

Model
E89-Y1 *

\* Includes the cover, guide, frame, and holder.

Pressure Sensors

Sensing Guide

Pressure Sensors

Other Information

E8F2

E8MS /E8M

E8Y

E8Y-□-□

## Ratings

Model		E8Y-AR2C	E8Y-AR5C	E8Y-A2C E8Y-A2C-R	E8Y-A5B E8Y-A5C E8Y-A5C-R	E8Y-AR2Y	E8Y-A2Y E8Y-A2Y-R	E8Y-A5Y E8Y-A5Y-R	
<b>Power supply voltage</b>	12 to 24 VDC $\pm 10\%$ with a ripple (p-p) of 10% max.								
<b>Current consumption</b>	50 mA max.					75 mA max.			
<b>Pressure type</b>	Differential pressure								
<b>Rated pressure range</b>	0 to 200 Pa	0 to 500 Pa	0 to 2.00 kPa	0 to 5.00 kPa	0 to 200 Pa	0 to 2.00 kPa	0 to 5.00 kPa		
<b>Withstand pressure</b>	5 kPa		50 kPa		5 kPa	5 kPa			
<b>Applicable fluid</b>	Non-corrosive gas and non-flammable gas								
<b>Linear output</b>	<b>Output current</b>	---	---	---	---	4 to 20 mA			
	<b>Permissible load resistance</b>	---	---	---	---	0 to 250 $\Omega$			
	<b>Precision</b>	---	---	---	---	$\pm 2.5\%$ FS	$\pm 1.0\%$ FS		
	<b>Linearity</b>	---	---	---	---	$\pm 2.5\%$ FS	$\pm 1.0\%$ FS		
<b>Digital output</b>	<b>Output form</b>	NPN open collector (NO/NC) *							
	<b>Load current</b>	100 mA							
	<b>Output applied voltage</b>	30 VDC max.							
	<b>Residual voltage</b>	1.0 V max. with a load current of 100 mA or 0.4 V max. with a load current of 16 mA							
	<b>Repeat accuracy</b>	$\pm 2.5\%$ FS	$\pm 1.0\%$ FS			$\pm 2.5\%$ FS	$\pm 1.0\%$ FS		
<b>Display</b>	<b>Display</b>	3-digit 7-segment red LED							
	<b>Indicator lamp</b>	Orange LED indicator (OUT1: lit when digital output is ON) Orange LED indicator (OUT2: lit when digital output is ON)							
<b>Response speed</b>	0.5 s max.								
<b>Display accuracy</b>	$\pm 1.0\%$ FS								
<b>Setting resolution</b>	1 Pa		0.01 kPa		1 Pa	0.01 kPa			
<b>Protection circuits</b>	Reverse polarity protection, load short-circuit protection								
<b>Ambient temperature</b>	Operating: $-10$ to $55^{\circ}\text{C}$ (with no icing)								
<b>Ambient humidity</b>	Operating: 25% to 85% (with no condensation)								
<b>Storage temperature</b>	$-25$ to $65^{\circ}\text{C}$								
<b>Accessories</b>	Mounting Brackets (A and B), Instruction manual								

\* The E8Y-A5B provides a PNP open-collector (NO/NC) output.

## Specifications

<b>Temperature influence</b>	E8Y-A2C/A5C: $\pm 3\%$ FS max. E8Y-AR5C: $\pm 6\%$ FS max. E8Y-AR2C: $\pm 10\%$ FS max.
<b>Humidity influence</b>	E8Y-A2C/A5C: $\pm 3\%$ FS max. E8Y-AR5C: $\pm 6\%$ FS max. E8Y-AR2C: $\pm 10\%$ FS max.
<b>Degree of protection</b>	IP40 (IEC)
<b>Dielectric strength</b>	1,000 VAC at 50/60 Hz for 1 minute
<b>Insulation resistance</b>	100 M $\Omega$ min. (at 500 VDC) between current-carrying parts and case
<b>Vibration resistance</b>	Destruction: 10 to 150 Hz, 0.75-mm single amplitude or 100 m/s <sup>2</sup> , 4 times each for 8 min in X, Y and Z directions
<b>Shock resistance</b>	Destruction: 300 m/s <sup>2</sup> 3 times each in X, Y and Z directions
<b>Pressure port</b>	4.5-dia resin pipe or Rc (PT) 1/8 taper screw (-R type)
<b>Cable</b>	Vinyl-insulated round cable 4 dia., Standard length: 2 m
<b>Weight</b>	Approx. 80 g

Pressure Sensors

Sensing Guide

Pressure Sensors

Other Information

E8F2

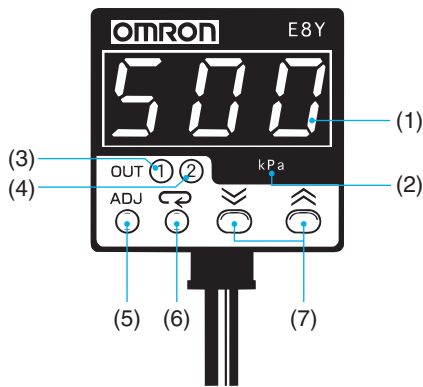
E8MS  
/E8M

E8Y

E8Y□□□

# E8Y

## Nomenclature



### Display

- (1) Numerical value/menu indication**  
Displays the measured pressure and some menu settings.
- (2) Unit**  
Shows the measuring unit. Unit currently in use is illuminated.
- (3) OUT 1 indication LED**  
In measurement mode, it lights when OUT 1 output is on. In setting mode, it flashes when OUT 1 is being set.
- (4) OUT 2 indication LED**  
In measurement mode, it lights when OUT 2 output is on. In setting mode, it flashes when OUT 2 is being set.

### Operation Key

- (5) ADJ**  
In measurement mode, it adjusts the Zero Point.  
In setting mode, it shifts to measurement mode.
- (6) MODE**  
In measurement mode, it shifts to setting mode and selects the current setting or menu option.
- (7) UP/DOWN**  
In measurement mode, pushing the DOWN key displays the ON and OFF points of OUT 1; pushing the UP key displays the ON and OFF points of OUT 2.  
In setting mode, the UP and DOWN keys increase or decrease the numeric value, respectively, or scroll through the menu options.

## Dimensions

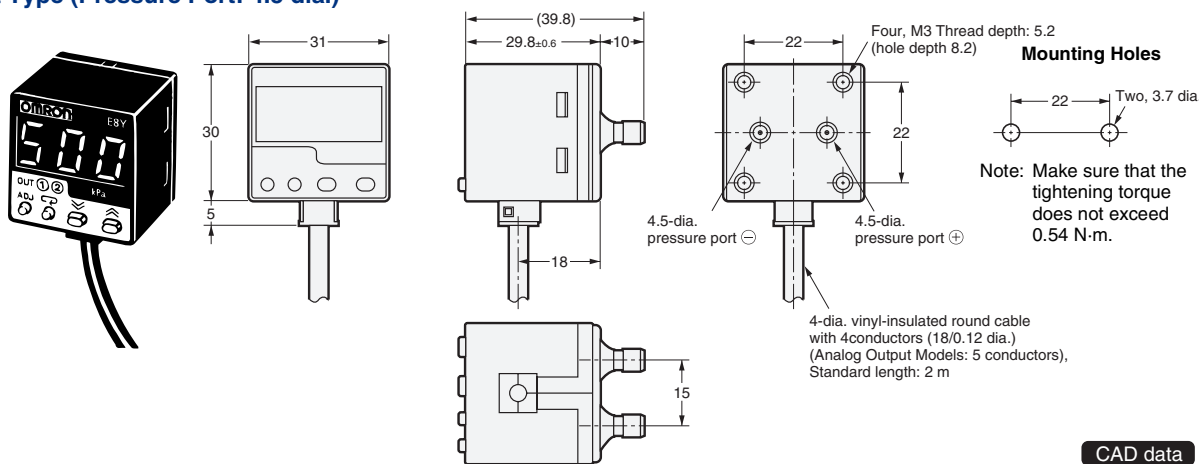
(Unit: mm)

Pressure Sensors

### Sensors

#### Standard Port Type (Pressure Port: 4.5 dia.)

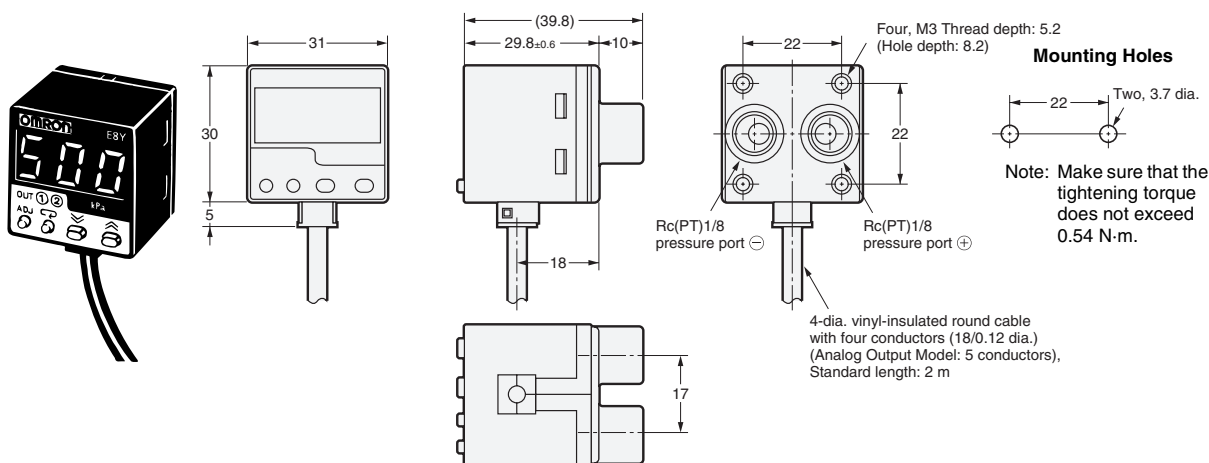
- E8Y-AR5C
- E8Y-AR2C
- E8Y-A2C
- E8Y-A5C
- E8Y-A5B
- E8Y-AR2Y
- E8Y-A2Y
- E8Y-A5Y



CAD data

#### Die-case Port Type (Pressure port: Rc(PT)1/8)

- E8Y-A2C-R
- E8Y-A5C-R
- E8Y-A2Y-R
- E8Y-A5Y-R



E8F2

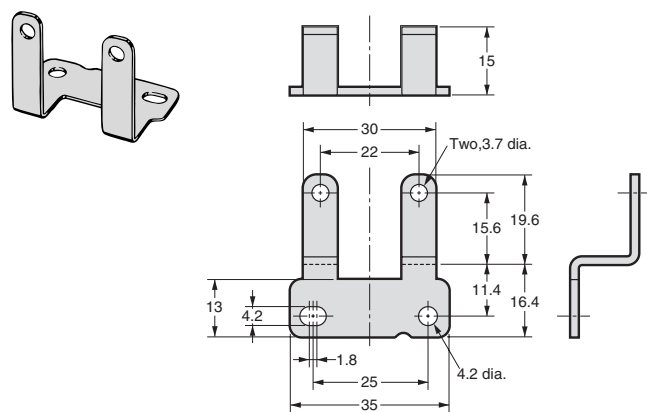
E8MS /E8M

E8Y

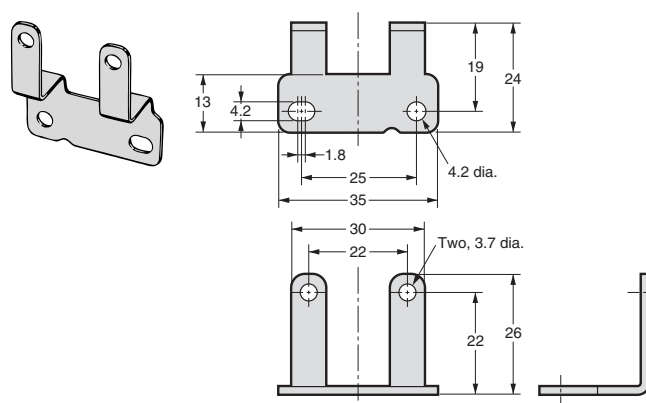
E8Y □-□

Accessories (Provided)

Mounting Bracket A



Mounting Bracket B



Refer to the *E8Y Pressure Sensor Datasheet* (Cat. No. F045) for details.

Pressure  
Sensors

Sensing  
Guide

Pressure  
Sensors

Other  
Information

E8F2

E8MS  
/E8M

E8Y

E8Y-□-□

## Terms and Conditions Agreement

### Read and understand this catalog.

Please read and understand this catalog before purchasing the products. Please consult your OMRON representative if you have any questions or comments.

### Warranties.

(a) Exclusive Warranty. Omron's exclusive warranty is that the Products will be free from defects in materials and workmanship for a period of twelve months from the date of sale by Omron (or such other period expressed in writing by Omron). Omron disclaims all other warranties, express or implied.

(b) Limitations. OMRON MAKES NO WARRANTY OR REPRESENTATION, EXPRESS OR IMPLIED, ABOUT NON-INFRINGEMENT, MERCHANTABILITY OR FITNESS FOR A PARTICULAR PURPOSE OF THE PRODUCTS. BUYER ACKNOWLEDGES THAT IT ALONE HAS DETERMINED THAT THE PRODUCTS WILL SUITABLY MEET THE REQUIREMENTS OF THEIR INTENDED USE.

Omron further disclaims all warranties and responsibility of any type for claims or expenses based on infringement by the Products or otherwise of any intellectual property right. (c) Buyer Remedy. Omron's sole obligation hereunder shall be, at Omron's election, to (i) replace (in the form originally shipped with Buyer responsible for labor charges for removal or replacement thereof) the non-complying Product, (ii) repair the non-complying Product, or (iii) repay or credit Buyer an amount equal to the purchase price of the non-complying Product; provided that in no event shall Omron be responsible for warranty, repair, indemnity or any other claims or expenses regarding the Products unless Omron's analysis confirms that the Products were properly handled, stored, installed and maintained and not subject to contamination, abuse, misuse or inappropriate modification. Return of any Products by Buyer must be approved in writing by Omron before shipment. Omron Companies shall not be liable for the suitability or unsuitability or the results from the use of Products in combination with any electrical or electronic components, circuits, system assemblies or any other materials or substances or environments. Any advice, recommendations or information given orally or in writing, are not to be construed as an amendment or addition to the above warranty.

See <http://www.omron.com/global/> or contact your Omron representative for published information.

### Limitation on Liability; Etc.

OMRON COMPANIES SHALL NOT BE LIABLE FOR SPECIAL, INDIRECT, INCIDENTAL, OR CONSEQUENTIAL DAMAGES, LOSS OF PROFITS OR PRODUCTION OR COMMERCIAL LOSS IN ANY WAY CONNECTED WITH THE PRODUCTS, WHETHER SUCH CLAIM IS BASED IN CONTRACT, WARRANTY, NEGLIGENCE OR STRICT LIABILITY.

Further, in no event shall liability of Omron Companies exceed the individual price of the Product on which liability is asserted.

### Suitability of Use.

Omron Companies shall not be responsible for conformity with any standards, codes or regulations which apply to the combination of the Product in the Buyer's application or use of the Product. At Buyer's request, Omron will provide applicable third party certification documents identifying ratings and limitations of use which apply to the Product. This information by itself is not sufficient for a complete determination of the suitability of the Product in combination with the end product, machine, system, or other application or use. Buyer shall be solely responsible for determining appropriateness of the particular Product with respect to Buyer's application, product or system. Buyer shall take application responsibility in all cases.

NEVER USE THE PRODUCT FOR AN APPLICATION INVOLVING SERIOUS RISK TO LIFE OR PROPERTY OR IN LARGE QUANTITIES WITHOUT ENSURING THAT THE SYSTEM AS A WHOLE HAS BEEN DESIGNED TO ADDRESS THE RISKS, AND THAT THE OMRON PRODUCT(S) IS PROPERLY RATED AND INSTALLED FOR THE INTENDED USE WITHIN THE OVERALL EQUIPMENT OR SYSTEM.

### Programmable Products.

Omron Companies shall not be responsible for the user's programming of a programmable Product, or any consequence thereof.

### Performance Data.

Data presented in Omron Company websites, catalogs and other materials is provided as a guide for the user in determining suitability and does not constitute a warranty. It may represent the result of Omron's test conditions, and the user must correlate it to actual application requirements. Actual performance is subject to the Omron's Warranty and Limitations of Liability.

### Change in Specifications.

Product specifications and accessories may be changed at any time based on improvements and other reasons. It is our practice to change part numbers when published ratings or features are changed, or when significant construction changes are made. However, some specifications of the Product may be changed without any notice. When in doubt, special part numbers may be assigned to fix or establish key specifications for your application. Please consult with your Omron's representative at any time to confirm actual specifications of purchased Product.

### Errors and Omissions.

Information presented by Omron Companies has been checked and is believed to be accurate; however, no responsibility is assumed for clerical, typographical or proofreading errors or omissions.

2013.12

In the interest of product improvement, specifications are subject to change without notice.

**OMRON Corporation**  
Industrial Automation Company

<http://www.ia.omron.com/>

(c)Copyright OMRON Corporation 2013 All Right Reserved.