

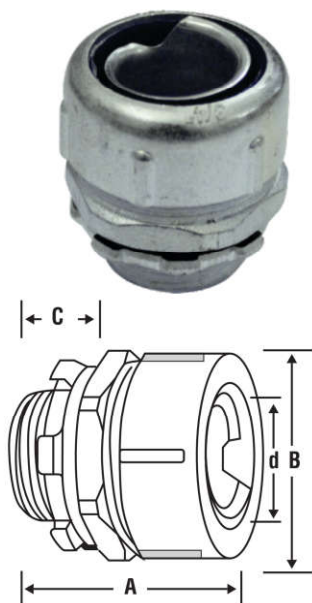
ELECTRIC CONDUIT

Waterproof Connector

STRAIGHT LIQUID TIGHT FLEXIBLE CONNECTOR

TYPE: RFN

- ▶ IP 54 standard, compactness structure, male thread
- ▶ Good tightness, quakeproof capability, waterproof capability, dustproof capability
- ▶ Can produce NPT standard, GB standard, EN standard, DIN standard item.
- ▶ Connect flexible steel conduit, steel box, steel tube, mainly used for electrical area
- ▶ Material : zinc die cast (chrome-plating, nickel-plating), aluminum

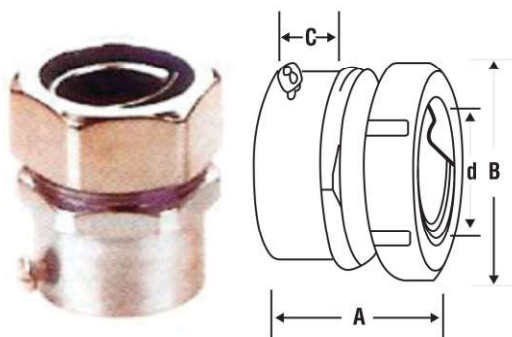


Used for Box		Zinc Die Cast				
Product Code	Conduit Size	Diameter				Thread
		A	B	C	d	
RFN21	3/8"	32.0	28.5	11.5	11.5	G1/2"
RFN22	1/2"	34.5	33.0	12.0	14.0	G1/2"
RFN23	3/4"	39.5	39.0	14.0	19.0	G3/4"
RFN24	1"	42.5	42.5	15.5	25.0	G1"
RFN25	1 1/4"	46.5	57.5	17.0	32.5	G1 1/4"
RFN26	1 1/2"	51.0	62.0	18.5	38.0	G1 1/2"
RFN27	2"	57.0	77.5	20.5	48.0	G2"
RFN28	2 1/2"	66.0	95.0	25.0	60.5	G2 1/2"
RFN29	3"	68.0	108.5	26.0	73.5	G3"
RFN30	4"	87.0	140.0	32.0	96.0	G4"

STRAIGHT LIQUID TIGHT FLEXIBLE CONNECTOR & EMT

TYPE: EFC

- ▶ Good tightness, quakeproof capability, waterproof capability
- ▶ Connect flexible steel conduit, steel tube, mainly used for electrical area
- ▶ Material: zinc die cast(chrome-plating, nickel-plating)



Used for Box		Zinc Die Cast					
Product Code	Conduit Size	Diameter				EMT mm	PVC mm
		A	B	C	d		
EFC11	1/2"	38.5	32.0	12.5	14.0	19.1	21.0
EFC12	3/4"	40.0	40.0	13.5	19.0	25.4	26.5
EFC13	1"	45.0	46.0	15.5	25.0	31.8	33.3
EFC14	1 1/4"	53.0	57.0	20.0	32.5	38.1	41.9
EFC15	1 1/2"	56.0	65.0	20.0	38.0	50.8	47.8
EFC16	2"	67.0	79.0	26.0	49.0	63.5	59.6

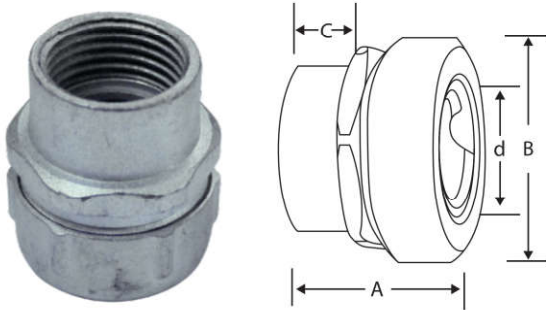
ELECTRIC CONDUIT

Waterproof Connector

STRAIGHT LIQUID TIGHT FLEXIBLE CONNECTOR

TYPE: EFC

- ▶ 54 standard, compactness structure, female thread.
- ▶ Good tightness, quakeproof capability, waterproof capability, dustproof capability.
- ▶ Can produce NPT standard, GB standard, EN standard, DIN standard item.
- ▶ Connect flexible steel conduit, steel box, steel tube, mainly used for electrical area.



Used for Box		Zinc Die Cast				
Product Code	Conduit Size	Diameter			Thread	
		A	B	C		d
EFC21	1/2"	38.5	32.0	12.5	14.0	G1/2"
EFC22	3/4"	41.0	34.0	14.0	19.0	G3/4"
EFC23	1"	45.0	46.0	16.0	25.0	G1"
EFC24	1 1/4"	54.0	57.0	20.0	32.5	G1 1/4"
EFC25	1 1/2"	56.0	65.0	21.0	38.0	G1 1/2"
EFC26	2"	64.0	79.0	23.0	49.0	G2"
EFC27	2 1/2"	73.0	97.0	25.5	61.5	G2 1/2"
EFC28	3"	80.0	114.5	28.0	74.5	G3"
EFC30	4"	81.0	142.5	28.0	96.5	G4"

TYPE: SLFCB



Product Code	Conduit Size
SLFCB050	1/2"
SLFCB075	3/4"
SLFCB100	1"
SLFCB125	1 1/4"
SLFCB150	1 1/2"
SLFCB200	2"
SLFCB250	2 1/2"
SLFCB300	3"
SLFCB400	4"

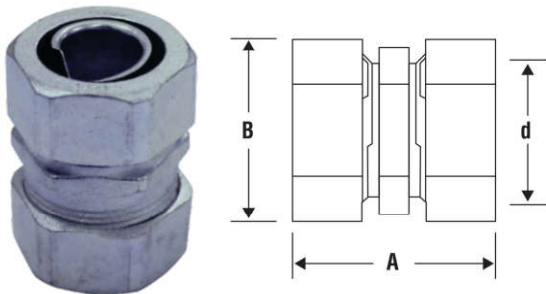
TYPE: DLF

Product Code	Conduit Size
DLF050	1/2"
DLF075	3/4"



LIQUID TIGHT SELF SET COUPLING

TYPE: TLFSC



Used for Box		Zinc Die Cast			
Product Code	Conduit Size	Diameter			PVC mm
		A	B	d	
TLFSC21	1/2"	43.0	33.0	21.7	21.25
TLFSC22	3/4"	47.0	39.0	27.3	26.75
TLFSC23	1"	48.0	42.5	34.0	33.50
TLFSC24	1 1/4"	54.0	57.5	43.0	42.25
TLFSC25	1 1/2"	56.0	62.0	48.8	48.00
TLFSC26	2"	65.0	77.5	61.8	60.00
TLFSC27	2 1/2"	82.0	95.0	76.3	75.50
TLFSC28	3"	85.0	108.5	89.5	88.50
TLFSC30	4"	98.0	140.0	115.0	114.00