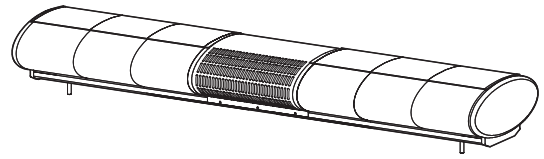


LED Strobe Warning Light Bar for Road Safety

ELML



Thank you for purchasing Qlight's products. Please read this user manual carefully prior to installation and operation to ensure safe and correct use.

⚠️ Precautions for Safety

Failure to follow the instructions below may cause a loss of life or serious physical injury.

1. During wiring or maintenance, please completely turn off the power of the product. (Failure to follow this may lead to an electric shock.)
2. Do not install the product in locations that subjects it to excessive dust or water other than the conditions designated by the IP protection ratings indicated for each product. (Failure to follow these instructions may cause a fire to the product, electric shock, physical injury, malfunction or damage to the product.)
3. Do not alter or repair this product. If maintenance or repair service is required, please contact your local Qlight contact point. (Failure to follow these instructions may lead to fire, electric shock, or product damage.)
4. Please apply the correct voltage to the product. (Failure to follow these instructions may lead to fire, electric shock, or product damage.)
5. When the product is applied to a condition that may impact lives or property, please make sure to have a double safety device. (Failure to follow this may cause damage to property, fire, electric shock and loss of life.)

⚠️ Precautions for Correct Use

Failure to follow the proper instructions may cause damage to property, the product, or malfunction of the product that would void the warranty.

1. Please remove any objects that can interrupt ventilation around the product.
2. Please turn off the power of the product immediately if it fails to operate properly.
3. Carefully wire the product according to each product's specification.
4. Please be careful in preventing chemicals such as thinner, benzene, etc. in contact with the surface of the product.
5. Do not apply excessive force/impact to the product.
6. Failure to follow any of the instructions above may cause malfunction or damage to the product, fire, and electric shock.

Ordering Specifications

ELML	-	4	-	12	-	B/R	-	SAMP
[Model number]		[Layer]		[Voltage]		[Color]		[Amplifier]
• ELML		• Layer1-1 • Layer2-2 • Layer3-3 • Layer4-4 • Layer5-5		• 12 - DC12V • 24 - DC24V		• B/R - Blue-Red • R/R - Red-Red • A/A - Amber-Amber • G/G - Green-Green		• (blank) -AMP not included • SAMP -AMP included

Product Specifications

Model number	LED	Voltage / Current (Based on 6 layers)	Certificate	Weight (Based on 3 layers)	Color
ELML-1	4EA	DC12V / 1.000A DC24V / 0.555A	-	11.02kg	<ul style="list-style-type: none"> • B/R - Blue-Red • R/R - Red-Red • A/A - Amber-Amber • G/G - Green-Green
ELML-2	8EA				
ELML-3	12EA				
ELML-4	16EA				
ELML-5	20EA				

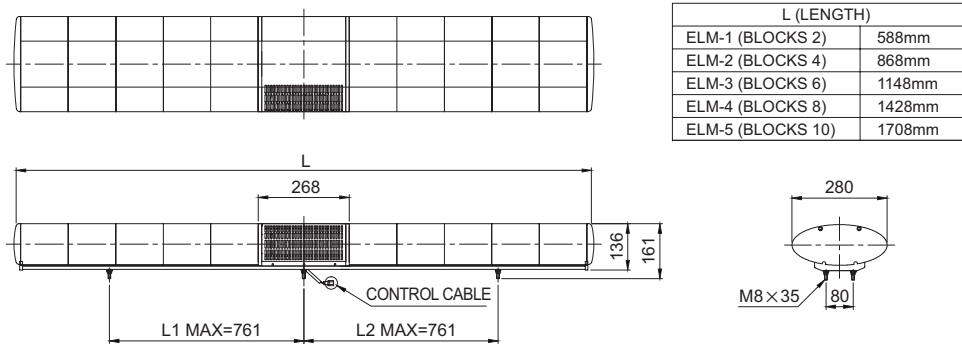
- Protection rating : IP56
- Ambient operating temperature : -25°C to +50°C



Please scan the QR code for more detailed product information.

www.qlight.com

ELML

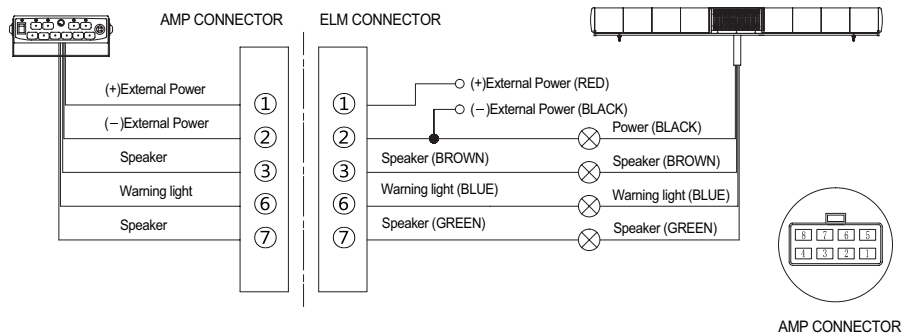


- Power line specification - ICE57 (0.75sq) x 4C 3m

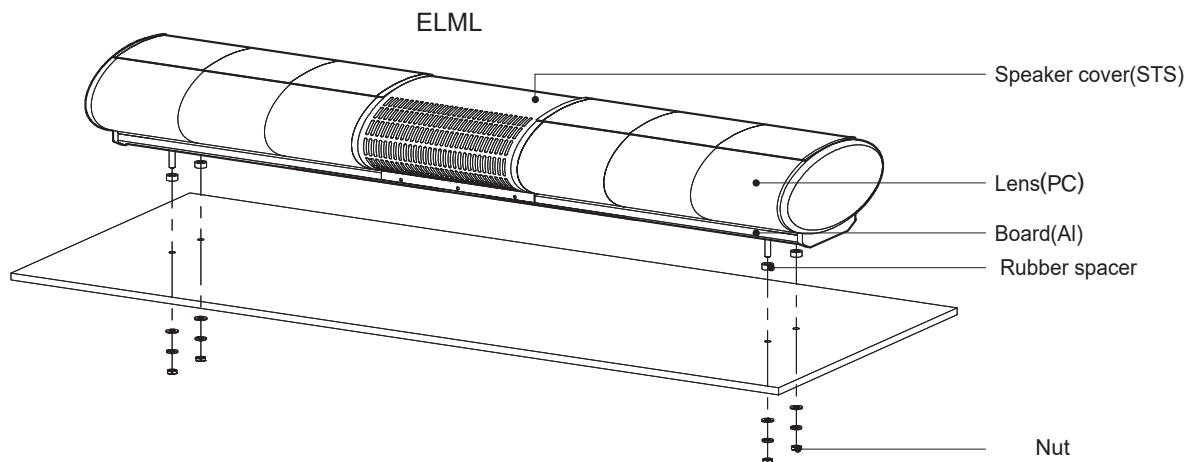
Wiring Instructions

- Refer to the pin map below for wiring instructions.

ELML

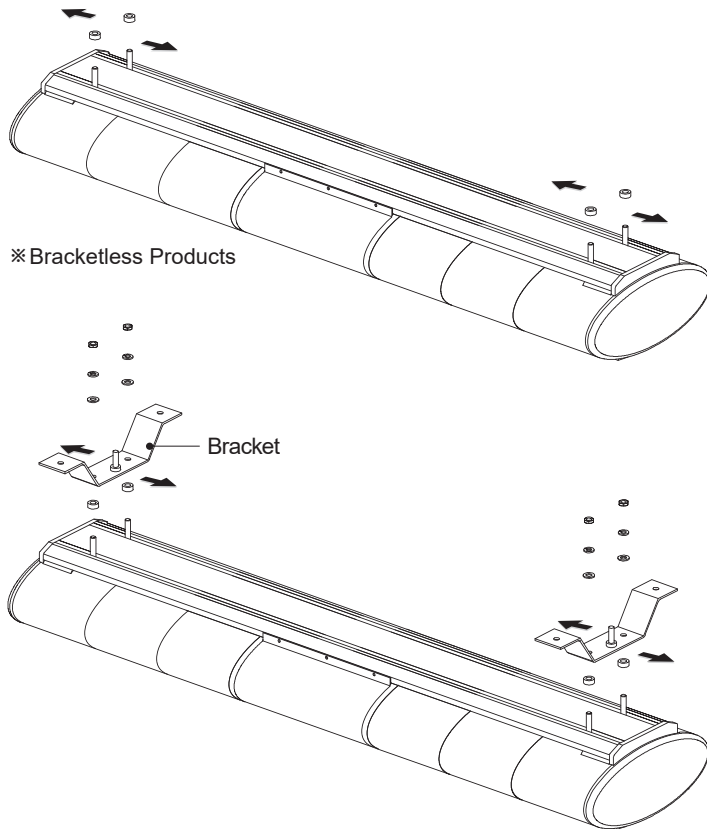


Parts Definition/ Installation



- First, machine taps or holes on the mounting surface .
- The mounting hole of this product is 9mm in diameter(hole).
- When machining taps, fasten the bolt through the mounting hole of the product.
- When machining holes, insert the bolt through the hole of the product, and tighten the nut from the opposite side of the mounting surface
- When assembling using bolt and nut, please make sure to use flat washer and spring washer.

Bracket Adjustment



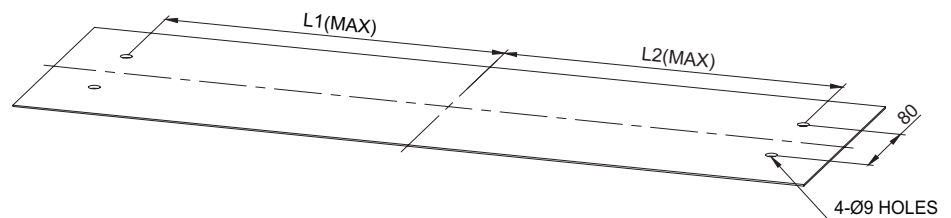
- Move the bolts by Loosening nuts(M8) on the product.
- Please place the bolts rightly positioned on the PCD of the mounting surface and fasten it. Please make sure if it's tightly fixed.

- Move the bracket by Loosening nuts(M8) on the bracket of product.
- After properly aligning the brackets to the desired pitch circular diameter (PCD) locations on the mounting surface, fasten the nuts until they tighten securely.

Mounting Hole Specifications

- Machine holes on the mounting surface referring to the diagram below.

MODEL	L1(mm)	L2(mm)
ELM - 1	248	248
ELM - 2	385	385
ELM - 3	525	525
ELM - 4	665	665
ELM - 5	805	805



Installation Environment and Protection Rating

- This product is designed for use with protection rating of IP56.
- If the product is installed in locations that subject it to excessive dust or water other than the designated IP protection rating indicated(IP56), it may cause malfunction or damage to the product.
- In case of outdoor applications, install the product in the upright position. Do not install the product horizontal or upside-down positions where water can potentially penetrate into the product and impact it's operation.
- For further information, please visit our website (www.qlight.com).



For your safety

Specification and dimensions listed in this catalogue subject to change without notice for product quality improvement.
The newest product information is available on our website.(www.qlight.com)
Please read the instruction manual attached to the product carefully before installation and use.

Qlight Co., Ltd. www.qlight.com | trade@qlight.com

Head Office | Suite #1510, STX-V Tower, 128 Gasan digital 1-ro, Geumcheon-gu, Seoul, Korea

Tel. +82-2-2679-6152(Toll free. +82-80-328-2222) Fax. +82-2-2679-6154

Factory | 185-25, Mukbang-ro, Sangdong-myeon, Gimhae-si, Gyeongsangnamdo, Korea Tel. +82-55-328-1111(Toll free. +82-80-328-1111)

Qlight OverSEAs Sales Dept | 704 Nakdong-daero, Sasang-gu, Busan, Korea(Eomgung-Dong) Tel : +82-51-620-4100

Qlight Public Relations & Marketing Team Office | 704 Nakdong-daero, Sasang-gu, Busan, Korea(Eomgung-Dong) Tel. +82-51-245-0017

Qlight USA, Inc. www.qlight.com www.qlightusa.com | sales@qlightusa.com

3003 North First Street, Suite #341, San Jose, CA 95134 USA Tel. +1-408-519-5740 Fax. +1-408-519-5739

SHANGHAI Qlight Electronic Co., Ltd. www.qlight.com www.qlightcn.com | qlightcn@qlight.com

China Factory/ Shanghai Sales Office | #19, Nanda Road, Baoshan Area, Shanghai, China Tel. +86-21-6651-7100 Fax. +86-21-6315-3929

China Factory Site 2 (Qidong) | #33, Haiyan Road, Qidong High-tech Industrial Development Zone, Qidong, Jiangsu Province, China

Tel +86-513-8384-9999 Fax +86-513-8384-9910

Qlightec

Innovation in Alarm & Signal

Product Operation Inquiry / Customer Support +82-51-620-4100

You can expect prompt service if you have exact information such as model name, symptom, telephone number and address.

※ ALL PRODUCT, PRODUCT SPECIFICATIONS AND DATA ARE SUBJECT TO CHANGE WITHOUT NOTICE TO IMPROVE RELIABILITY, FUNCTION OR DESIGN OR OTHERWISE.

Head office : Suite #1510, STX-V Tower, 128 Gasan digital 1-ro, Geumcheon-gu, Seoul, Korea (Postal Code : 08507)

Factory : 185-25, Mukbang-Ro, Sangdong-Myeon, Gimhae-Si, Gyeongsangnam-Do, Korea (Postal Code : 50805)

www.qlight.com

EN - ELML - 2106A