

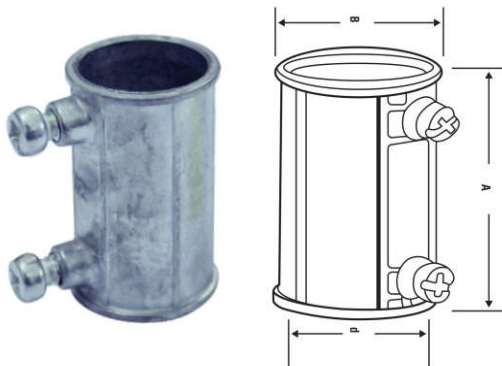
CONDUIT FITTINGS

Connector & Couplings

EMT SET SCREW COUPLINGS

TYPE: EP

- ▶ Used to connect steel tube
- ▶ Material: zinc die cast, aluminum

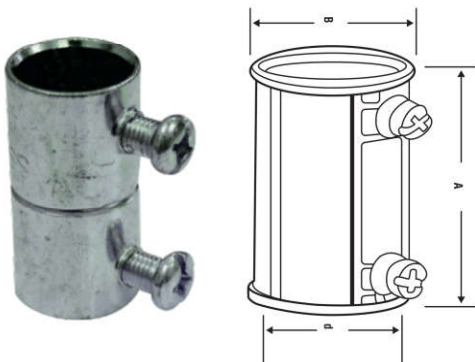


Used for Pipe		Zinc Die Cast			
Product Code	Conduit Size	Diameter			EMT mm
		A	B	d	
EP11	1/2"	37.0	22.5	18.5	17.93
EP12	3/4"	46.0	28.5	24.0	23.42
EP13	1"	50.0	34.5	30.0	29.53
EP14	1 1/4"	61.0	45.0	39.5	38.35
EP15	1 1/2"	69.0	51.5	45.0	44.20
EP16	2"	82.0	62.5	56.5	55.80

STEEL SET SCREW COUPLINGS FOR STEEL CONDUIT

TYPE: MEP

- ▶ Used to connect steel tube
- ▶ Material: Steel

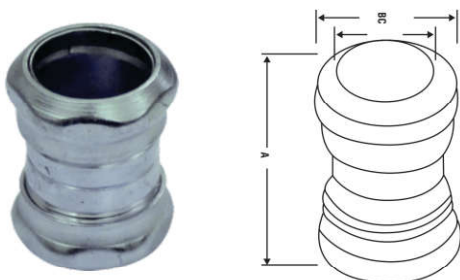


Used for Pipe		Zinc Die Cast			
Product Code	Conduit Size	Diameter			EMT mm
		A	B	d	
MEP11	1/2"	39.62	23.11	18.29	17.93
MEP12	3/4"	49.28	20.57	23.88	23.42
MEP13	1"	57.15	35.81	30.23	29.53
MEP14	1 1/4"	92.2	45.97	38.86	38.35
MEP15	1 1/2"	74.68	52.32	44.45	44.20
MEP16	2"	88.9	63.5	114.3	55.80

STEEL COMPRESSION COUPLINGS FOR STEEL CONDUIT

TYPE: ECCS

- ▶ Used to connect steel tube
- ▶ Material: Steel



Used for Pipe		Zinc Die Cast			
Product Code	Conduit Size	Diameter			EMT mm
		A	B	d	
ECCS050	1/2"	43.18	28.19	18.29	17.93
ECCS075	3/4"	43.18	35.56	23.37	23.42
ECCS100	1"	50.04	41.91	30.48	29.53
ECCS125	1 1/4"	50.8	50.29	38.1	38.35
ECCS150	1 1/2"	77.72	57.15	44.7	44.20
ECCS200	2"	78.49	69.34	55.12	55.80
ECCS250	2 1/2"	90.42	95.76	73.66	73.64
ECCS300	3"	90.42	115.06	89.66	89.54
ECCS350	3 1/2"	40.42	131.07	106.5	107.70
ECCS400	4"	97.54	143.51	114.81	114.94