

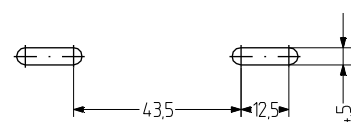
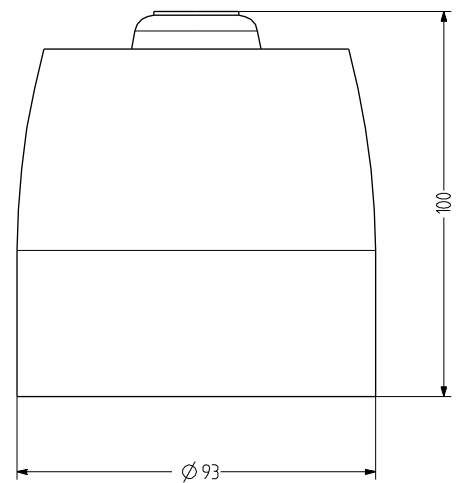
ES1 Multi-tone alarm sounder

- Cost-effective multi-tone alarm sounder
- 32 tones can be selected via DIP switch
- Sound pressure can be preselected in 3 steps via DIP switch
- For universal applications at 24 V DC
- Second tone can be switched externally
- Degree of protection IP 65 can be achieved if installed correctly



TECHNICAL DATA

| | |
|-----------------------|--|
| Housing | ABS red (RAL 3000) or white (RAL 9003) |
| Type of mounting | any, Sound outlet opening at bottom or horizontal |
| Cable entry | Back or side |
| Tone | 32 Tones, 2 Tones can be switched externally, see tone table |
| Volume | 86-106 dB (can be adjusted with DIP switch) |
| Tone frequency | 440-2.900 Hz |
| Duty cycle | 100 % |
| Operating temperature | -20 °C / +70 °C |
| Degree of protection | IP65 |
| Weight | 250 g |



ES1

ORDER DATA

| Nominal voltage | Voltage range (V) | Nominal current (A) | Housing colour | |
|-----------------|-------------------|---------------------|----------------|--------------|
| | | | red | white |
| 24 V DC | 15-35 | 0,036 | C110 620 005 | C110 220 005 |

TONE TABLE

| No. | Sound | Denomination | DIP | 2nd stage alarm Hz |
|-----|-----------------------------------|---|-------|-------------------------|
| 1 | LF sweep | 800-1.000 Hz @ 0.5 s | 11111 | 800 cont |
| 2 | alternative warble | 800/960 Hz @ 2 Hz | 11110 | 800 cont |
| 3 | warble tone | 800/1.000 Hz @ 0.5 s | 11101 | 800 cont |
| 4 | alternative warble | 500/600 Hz @ 2 Hz | 11100 | 500 cont |
| 5 | HF back up interrupted tone | 2.800 Hz @ 1.0 s on/off | 11011 | 2.800 cont |
| 6 | LF back up alarm | 800 Hz @ 150 ms on/off | 11010 | 800 cont |
| 7 | HF back up interrupted tone, fast | 2.800 Hz @ 150 ms on/off | 11001 | 800 cont |
| 8 | LF continuous tone BS5839 | 800 Hz cont | 11000 | same tone |
| 9 | sweep tone | 800/900 Hz @ 1 Hz | 10111 | 800 cont |
| 10 | Australian slow whoop | interrupted tone 970 Hz @ 0.625 ms on/off | 10110 | 500-1.200 |
| | | | | 3.75 s on 0.25 s off |
| 11 | Dutch sweep tone | 970 Hz cont | 10101 | 500-1.200 |
| | | | | 3.5 s on 0.5 s off |
| 12 | analogue sweep tone | 500/600 Hz @ 2 Hz | 10100 | 500 cont |
| 13 | sweep tone | 800/970 Hz @ 3 Hz | 10011 | 800 cont |
| 14 | alternate HF slow sweep | 2.350/2.900 Hz @ 3 Hz | 10010 | 2.400 cont |
| 15 | fast HF sweep | 2.400-2.800 Hz @ 7Hz | 10001 | 2.400 cont |
| 16 | US temporal pattern LF | 950 Hz 0.5 s on/0.5 s off x 3; off for 1.5 s; repeat | 10000 | 800 cont |
| 17 | interrupted tone BS Standard | 800 Hz @ 0.5 s on/off | 01111 | 800 cont |
| 18 | ISO8201 LF BS5839 Pt 1 1988 | intermittent 970 Hz @ 0.5 s on/off | 01110 | same tone |
| 19 | interrupted tone, medium | 1.000 Hz @ 0.25 s on/off | 01101 | 800 cont |
| 20 | ISO8201 HF | 970 Hz @ 0.5 s on/off | 01100 | same tone |
| 21 | continuous tone | 1000 Hz | 01011 | same tone |
| 22 | LF buzz | 800-950 Hz swept @ 110 Hz | 01010 | 800 cont |
| 23 | HF continuous | 2.800 Hz | 01001 | 2.800 cont |
| 24 | sweep tone | 800-970 Hz @ 9 Hz | 01000 | 800 cont |
| 25 | German DIN tone | sweep 1.200-500 Hz @ 1 Hz | 00111 | 800 cont |
| 26 | Swedish fire signal | intermittent 660 Hz @ 150 ms on/off | 00110 | same tone |
| 27 | French tone AFNOR | 554 Hz @ 100 ms and 440 Hz @ 400 ms | 00101 | 800 cont |
| 28 | Swedish all clear signal | continuous 660 Hz | 00100 | same tone |
| 29 | US temporal pattern HF | 2.900 Hz @ 0.5 s on/off x 3; then off for 1.5 s; repeat | 00011 | 2.900 cont |
| 30 | Siren 2-way ramp, short | 500/1.200 Hz rising then falling 0.25 s | 00010 | 800 cont |
| 31 | FP 1063.1 Telecom | alternating tone 800/970 Hz @ 2 Hz | 00001 | 800 cont |
| 32 | Siren 2-way ramp, long | 500/1.200 Hz @ 3 s rising/3 s falling | 00000 | 800 cont |

