



FTSD-5-75-S

Tang Through Screwdriver

the shaft: Fully hardened chrome vanadium steel

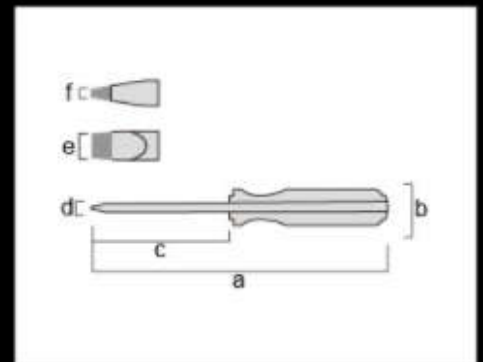
the point of blade: Black point treatment, magnet type

the grip: triangular to hold easily

SPECIFICATIONS

APPLICATIONS

Size(mm)	150mm
Weight(g/w)	53g/w
Package size (H x W x D mm)	-
JAN	4952520406380
a	150mm
b	22mm
c	75mm
d	5.0mm
e	5.0mm
f	0.7mm





FTSD+1-75-S

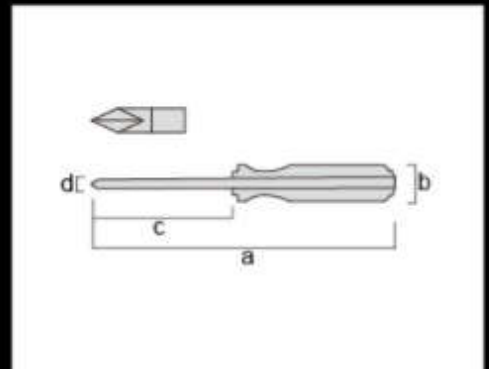
Tang Through Screwdriver

the shaft: Fully hardened chrome vanadium steel
the point of blade: Black point treatment, magnet type
the grip: triangular to hold easily

SPECIFICATIONS

APPLICATIONS

Size(mm)	150mm
Weight(g/w)	53g/w
Package size (H x W x D mm)	-
JAN	4952520406397
a	150mm
b	22mm
c	75mm
d	5.0mm





FTSD-5-150-S

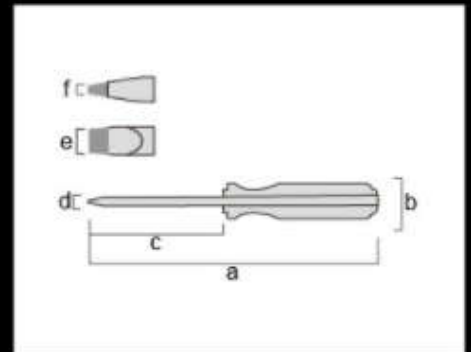
Tang Through Screwdriver

the shaft: Fully hardened chrome vanadium steel
 the point of blade: Black point treatment, magnet type
 the grip: triangular to hold easily

SPECIFICATIONS

APPLICATIONS

Size(mm)	225mm
Weight(g/w)	66g/w
Package size (H x W x D mm)	-
JAN	4952520406403
a	225mm
b	22mm
c	150mm
d	5.0mm
e	5.0mm
f	0.7mm





FTSD+1-150-S

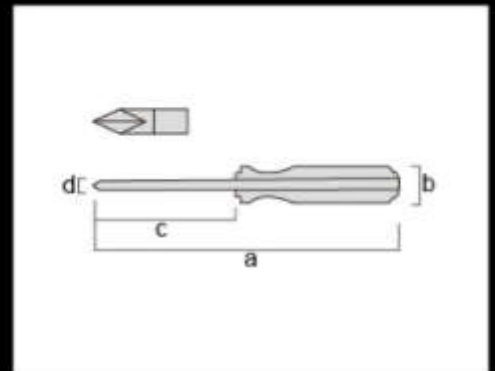
Tang Through Screwdriver

the shaft: Fully hardened chrome vanadium steel
the point of blade: Black point treatment, magnet type
the grip: triangular to hold easily

SPECIFICATIONS

APPLICATIONS

Size(mm)	225mm
Weight(g/w)	66g/w
Package size (H x W x D mm)	-
JAN	4952520406410
a	225mm
b	22mm
c	150mm
d	5.0mm





FTSD-6-100-S

Tang Through Screwdriver

the shaft: Fully hardened chrome vanadium steel

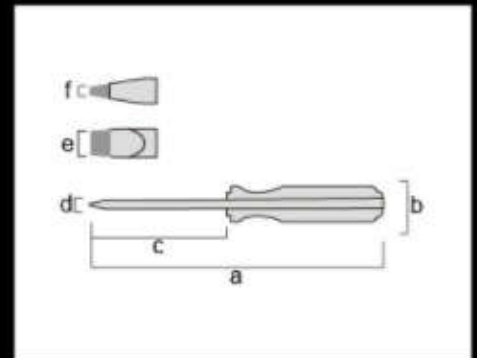
the point of blade: Black point treatment, magnet type

the grip: triangular to hold easily

SPECIFICATIONS

APPLICATIONS

Size(mm)	195mm
Weight(g/w)	97g/w
Package size (H x W x D mm)	-
JAN	4952520406427
a	195mm
b	26mm
c	100mm
d	6.0mm
e	6.0mm
f	0.8mm





FTSD-6-125-S

Tang Through Screwdriver

the shaft: Fully hardened chrome vanadium steel

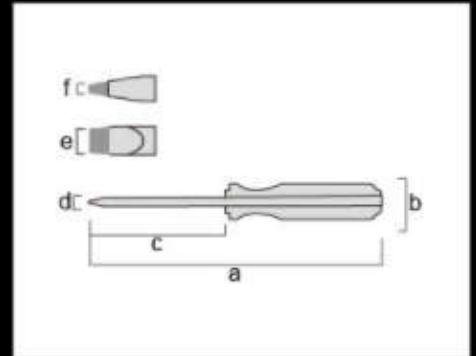
the point of blade: Black point treatment, magnet type

the grip: triangular to hold easily

SPECIFICATIONS

APPLICATIONS

Size(mm)	220mm
Weight(g/w)	103g/w
Package size (H x W x D mm)	-
JAN	4952520406434
a	220mm
b	26mm
c	125mm
d	6.0mm
e	6.0mm
f	0.8mm





FTSD+2-100-S

Tang Through Screwdriver

the shaft: Fully hardened chrome vanadium steel

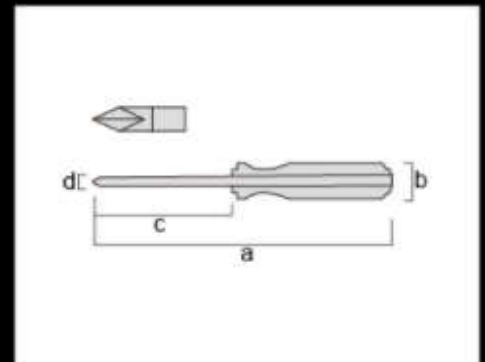
the point of blade: Black point treatment, magnet type

the grip: triangular to hold easily

SPECIFICATIONS

APPLICATIONS

Size(mm)	195mm
Weight(g/w)	97g/w
Package size (H x W x D mm)	-
JAN	4952520406441
a	195mm
b	26mm
c	100mm
d	6.0mm



FTSD+2-125-S

Tang Through Screwdriver

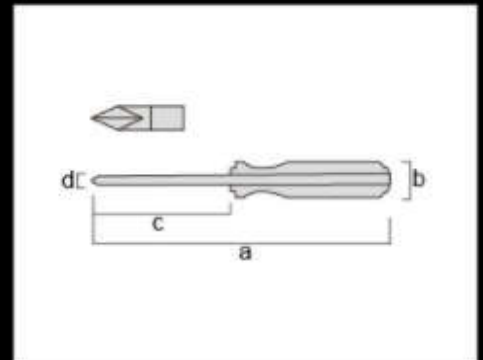
the shaft: Fully hardened chrome vanadium steel
the point of blade: Black point treatment, magnet type
the grip: triangular to hold easily



SPECIFICATIONS

APPLICATIONS

Size(mm)	220mm
Weight(g/w)	103g/w
Package size (H x W x D mm)	-
JAN	4952520406458
a	220mm
b	26mm
c	125mm
d	6.0mm





FTSD-8-150-S

Tang Through Screwdriver

the shaft: Fully hardened chrome vanadium steel

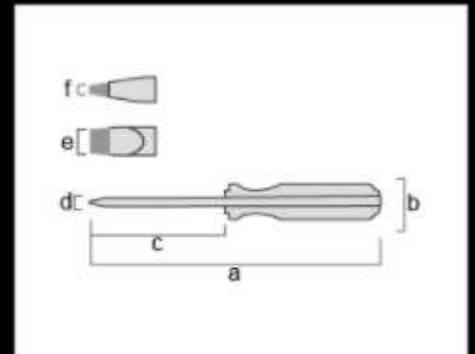
the point of blade: Black point treatment, magnet type

the grip: triangular to hold easily

SPECIFICATIONS

APPLICATIONS

Size(mm)	265mm
Weight(g/w)	202g/w
Package size (H x W x D mm)	-
JAN	4952520406465
a	265mm
b	32mm
c	150mm
d	8.0mm
e	8.0mm
f	1.0mm





FTSD-8-200-S

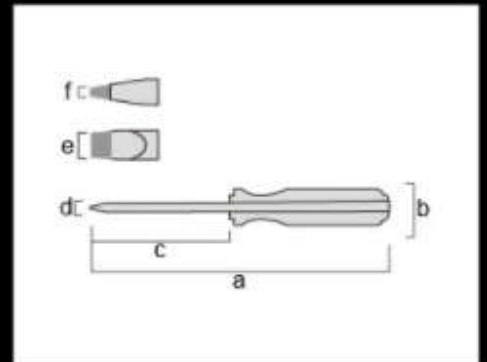
Tang Through Screwdriver

the shaft: Fully hardened chrome vanadium steel
the point of blade: Black point treatment, magnet type
the grip: triangular to hold easily

SPECIFICATIONS

APPLICATIONS

Size(mm)	315mm
Weight(g/w)	223g/w
Package size (H x W x D mm)	-
JAN	4952520406472
a	315mm
b	32mm
c	200mm
d	8.0mm
e	8.0mm
f	1.0mm





FTSD-8-250-S

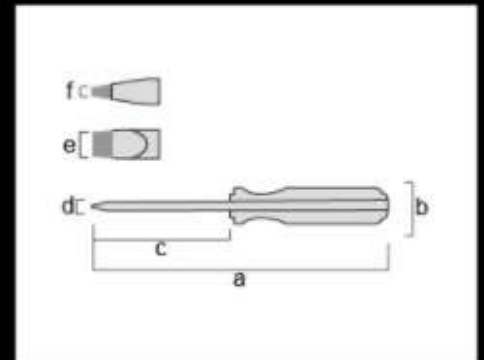
Tang Through Screwdriver

the shaft: Fully hardened chrome vanadium steel
the point of blade: Black point treatment, magnet type
the grip: triangular to hold easily

SPECIFICATIONS

APPLICATIONS

Size(mm)	365mm
Weight(g/w)	250g/w
Package size (H x W x D mm)	-
JAN	4952520406489
a	365mm
b	32mm
c	250mm
d	8.0mm
e	8.0mm
f	1.0mm





FTSD-8-300-S

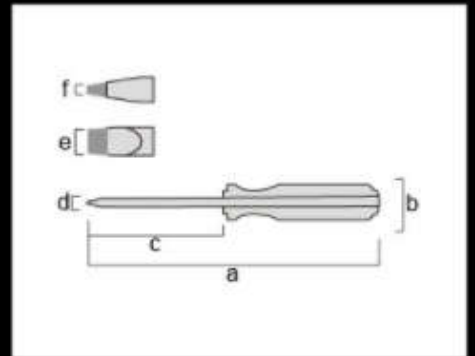
Tang Through Screwdriver

the shaft: Fully hardened chrome vanadium steel
 the point of blade: Black point treatment, magnet type
 the grip: triangular to hold easily

SPECIFICATIONS

APPLICATIONS

Size(mm)	415mm
Weight(g/w)	400g/w
Package size (H x W x D mm)	-
JAN	4952520406496
a	415mm
b	32mm
c	300mm
d	8.0mm
e	8.0mm
f	1.0mm





FTSD+3-150-S

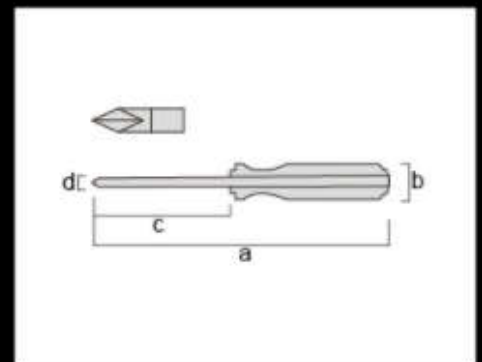
Tang Through Screwdriver

the shaft: Fully hardened chrome vanadium steel
the point of blade: Black point treatment, magnet type
the grip: triangular to hold easily

SPECIFICATIONS

APPLICATIONS

Size(mm)	265mm
Weight(g/w)	202g/w
Package size (H x W x D mm)	-
JAN	4952520406502
a	265mm
b	32mm
c	150mm
d	8.0mm





FTSD+3-200-S

Tang Through Screwdriver

the shaft: Fully hardened chrome vanadium steel

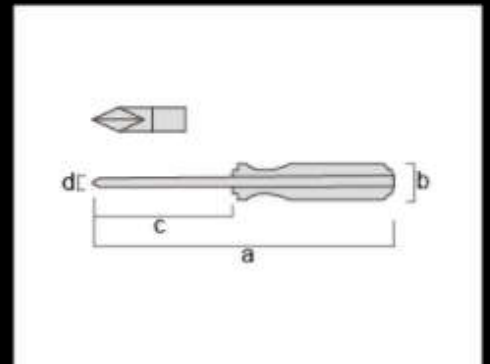
the point of blade: Black point treatment, magnet type

the grip: triangular to hold easily

SPECIFICATIONS

APPLICATIONS

Size(mm)	315mm
Weight(g/w)	223g/w
Package size (H x W x D mm)	-
JAN	4952520406519
a	315mm
b	32mm
c	200mm
d	8.0mm





FTSD+3-250-S

Tang Through Screwdriver

the shaft: Fully hardened chrome vanadium steel

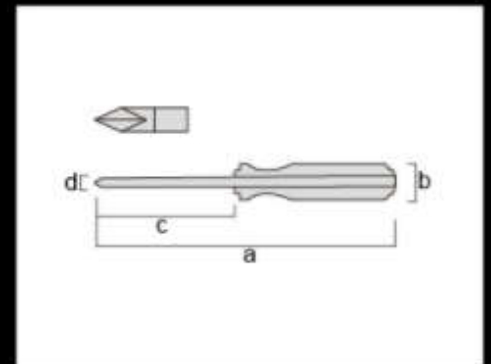
the point of blade: Black point treatment, magnet type

the grip: triangular to hold easily

SPECIFICATIONS

APPLICATIONS

Size(mm)	365mm
Weight(g/w)	250g/w
Package size (H x W x D mm)	-
JAN	4952520406526
a	365mm
b	32mm
c	250mm
d	8.0mm





FTSD+3-300-S

Tang Through Screwdriver

the shaft: Fully hardened chrome vanadium steel

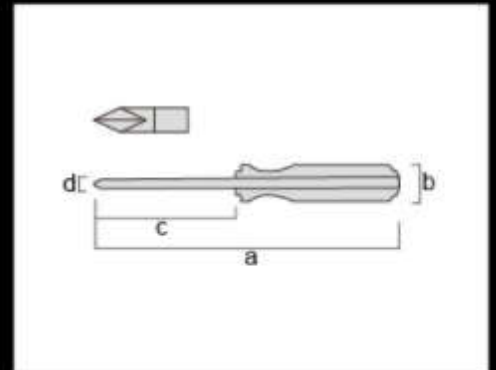
the point of blade: Black point treatment, magnet type

the grip: triangular to hold easily

SPECIFICATIONS

APPLICATIONS

Size(mm)	415mm
Weight(g/w)	400g/w
Package size (H x W x D mm)	-
JAN	4952520406533
a	415mm
b	32mm
c	300mm
d	8.0mm





FTSD-10-300-S

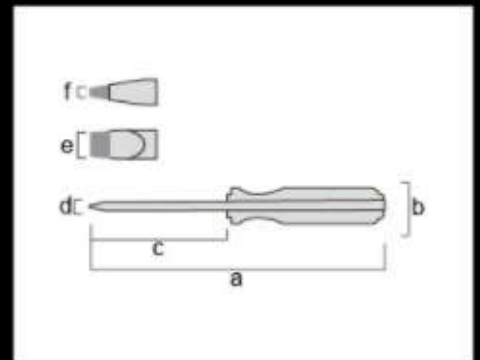
Tang Through Screwdriver

the shaft: Fully hardened chrome vanadium steel
the point of blade: Black point treatment, magnet type
the grip: triangular to hold easily

SPECIFICATIONS

APPLICATIONS

Size(mm)	425mm
Weight(g/w)	400g/w
Package size (H x W x D mm)	-
JAN	4952520406564
a	425mm
b	35mm
c	300mm
d	10.0mm
e	10.0mm
f	1.2mm





FTSD-10-350-S

Tang Through Screwdriver

the shaft: Fully hardened chrome vanadium steel
the point of blade: Black point treatment, magnet type
the grip: triangular to hold easily

SPECIFICATIONS

APPLICATIONS

Size(mm)	475mm
Weight(g/w)	438g/w
Package size (H x W x D mm)	-
JAN	4952520406571
a	475mm
b	35mm
c	350mm
d	10.0mm
e	10.0mm
f	1.2mm

