

Pressure Gauge for General Purpose/ With Limit Indicator

G46/GA46 Series RoHS



G46-10-02M-C

- Be sure to read the precautions on page 891 for selection and mounting.

Standard Specifications

Model		G46	GA46
Type		Back side thread	Vertical side thread
Port size ⁽¹⁾		R 1/8, R 1/4 (Option M: with M5 female thread)	
Fluid ^{(2) (4)}		Air	
Indication precision ⁽⁵⁾		±3% F.S. (Full span)	
Material	Case (Surface treatment)	Rolled steel (Electrodeposition coating black)	Stainless steel (Black melamine painted)
	Clear cover ⁽³⁾	Polycarbonate Part no.: G46-00-00-4	Polycarbonate Part no.: G46-00-00-3
	Stud (Surface treatment)	Aluminum die-casted (Black disulfide molybdenum coated)	Brass
	Bourdon tube	Brass	
Weight (kg)		0.05	0.075
Attachment: With cover ring assembly	C	Part no.: 1305104-1A	—
	C2	Part no.: 1305104-9A	

Note 1) When mounting a pressure gauge, use caution not to tighten excessively. Excessive tightening will cause product to be damaged. Use a pipe tape for sealing.

Note 2) Not applicable to water as fluid because its stud is made from aluminum die-casting. Water may cause corrosion and block the air passage.

Note 3) Clear cover: G46-00-00-4 is not compatible with G46-00-00-3.

Note 4) Avoid freezing as this may cause a malfunction.

Note 5) The guaranteed temperature range is 23°C ±5°C.

Model (Standard)

Model	Pressure range ⁽¹⁾		Indication unit	Connection thread	Note
	MPa				
G46-2-01/02	0 to 0.2		MPa	R 1/8, 1/4	—
G46-4-01/02	0 to 0.4				
G46-7-01/02	0 to 0.7				
G46-10-01/02	0 to 1.0				
G46-2-01 to 02M	0 to 0.2			R 1/8, 1/4 M5 (Female thread)	
G46-4-01 to 02M	0 to 0.4				
G46-7-01 to 02M	0 to 0.7				
G46-10-01 to 02M	0 to 1.0				
GA46-10-01 to 02	0 to 1.0		R 1/8, 1/4		

Note 1) Do not apply pressure more than the maximum display pressure. This will cause a malfunction.

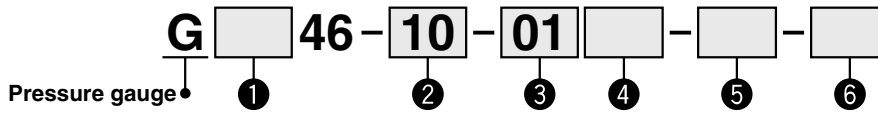
Model (Made to Order) Other versions of this unit can be made on a Made-to-Order basis. Please consult with SMC for details, as delivery times may be extended.

Model	Pressure range ⁽¹⁾		Indication unit	Connection thread	Note
	MPa	psi			
G46-2-01 to 02-C/C2	0 to 0.2	—	MPa	R 1/8, 1/4	With cover ring assembly
G46-4-01 to 02-C/C2	0 to 0.4	—			
G46-7-01 to 02-C/C2	0 to 0.7	—			
G46-10-01 to 02-C/C2	0 to 1.0	—			
G46-2-01 to 02M-C/C2	0 to 0.2	—		R 1/8, 1/4 M5 (Female thread)	
G46-4-01 to 02M-C/C2	0 to 0.4	—			
G46-7-01 to 02M-C/C2	0 to 0.7	—			
G46-10-01 to 02M-C/C2	0 to 1.0	—			
G46-P2-01 to 02-X30 ⁽²⁾	0 to 0.2	0 to 30	MPa, psi	R 1/8, 1/4	—
G46-P10-01 to 02-X30 ⁽²⁾	0 to 1.0	0 to 150			
G46-P2-01 to 02-C/C2-X30 ⁽²⁾	0 to 0.2	0 to 30			
G46-P10-01 to 02-C/C2-X30 ⁽²⁾	0 to 1.0	0 to 150			
G46-15-02	0 to 1.5	—			

Note 1) Do not apply pressure more than the maximum display pressure. This will cause a malfunction.

Note 2) Under the New Measurement Law, products for overseas use only (SI unit type for use in Japan).

How to Order



		Symbol	Description	①	
				Type	
				G46	GA46
				Back side thread	Vertical side thread
		+			
②	Max. display pressure	2	0.2 MPa	●	●
		4	0.4 MPa	●	●
		7	0.7 MPa	●	●
		10	1.0 MPa	●	●
		15	1.5 MPa	●	●
		P2 ⁽¹⁾	0.2 MPa, 30 psi	○ ⁽²⁾	○ ⁽²⁾
		P4 ⁽¹⁾	0.4 MPa, 60 psi	○ ⁽²⁾	○ ⁽²⁾
		P7 ⁽¹⁾	0.7 MPa, 100 psi	○ ⁽²⁾	○ ⁽²⁾
		P10 ⁽¹⁾	1.0 MPa, 150 psi	○ ⁽²⁾	○ ⁽²⁾
		P15 ⁽¹⁾	1.5 MPa, 220 psi	○ ⁽²⁾	○ ⁽²⁾
		+			
③	Connection thread	01	R 1/8	●	●
		02	R 1/4	●	●
		+			
④	Option	Nil	—	●	●
		M ⁽³⁾	With M5 (Female thread)	●	—
		+			
⑤	Attachment	Nil	Without cover ring assembly	●	●
		C	Clear cover has no protrusion. (Clear cover is irremovable.)	●	—
		C2	Clear cover has protrusion. (Clear cover is removable.) The wrench flats protrude.	●	—
		+			
⑥	Special specification	Nil	—	●	●
		X2	Stud parts Nickel plated	— ⁽⁵⁾	●
		X30	Both MPa and psi	○ ⁽²⁾	○ ⁽²⁾

Note 1) This symbol must be used with Special specification "X30."

Note 2) ○: Under the New Measurement Law, products for overseas use only (SI unit type for use in Japan).

Note 3) To use the pressure gauge with M5 (female thread), attach the joint when piping the tube. For combinations with the special specification products, please consult SMC separately.

Note 4) When wetted parts with the stainless steel specifications are needed, use the G46-□-□-SRB.

Note 5) When necessary, please contact SMC.

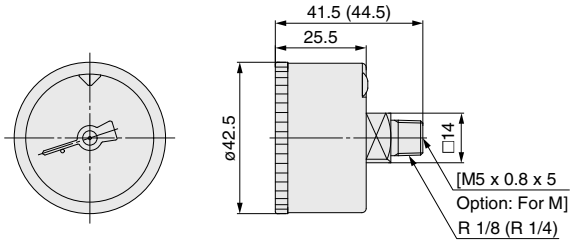


Pressure Gauge for General Purpose/With Limit Indicator **G46/GA46 Series**

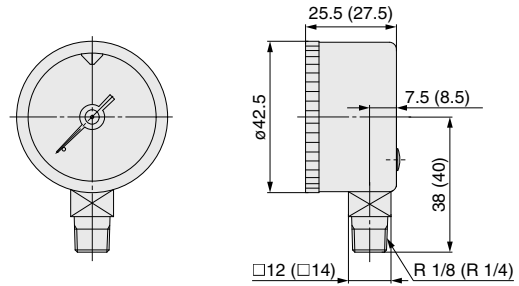
Dimensions (Except Made-to-Order products)

* The dimensions in (): Connecting thread R 1/4

G46-□□-01 to 02 (M)

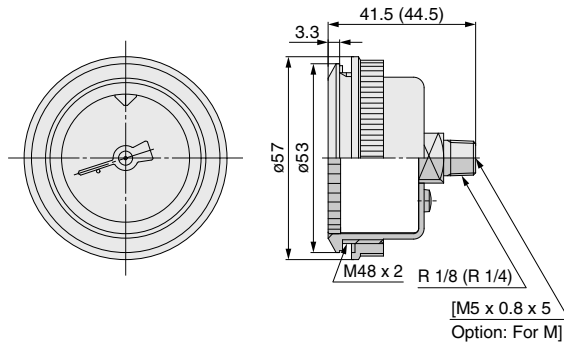


GA46-□□-01 to 02

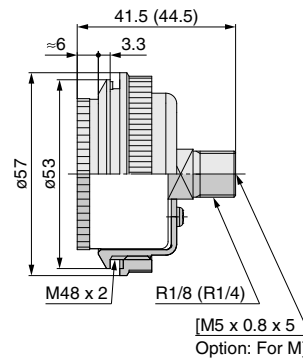


G46-□□-01 to 02 (M)-C G46-□□-01 to 02 (M)-C2 With cover ring assembly (For panel mount)

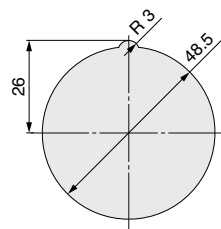
Type C
(Clear cover is not removable.)



Type C2
(Clear cover is removable. The wrench flats protrude.)



Panel fitting dimensions Plate thickness Max. 3.5t



G
GS
PPA