



GBH 220 Professional



Robert Bosch Power Tools GmbH
70538 Stuttgart
GERMANY

www.bosch-pt.com

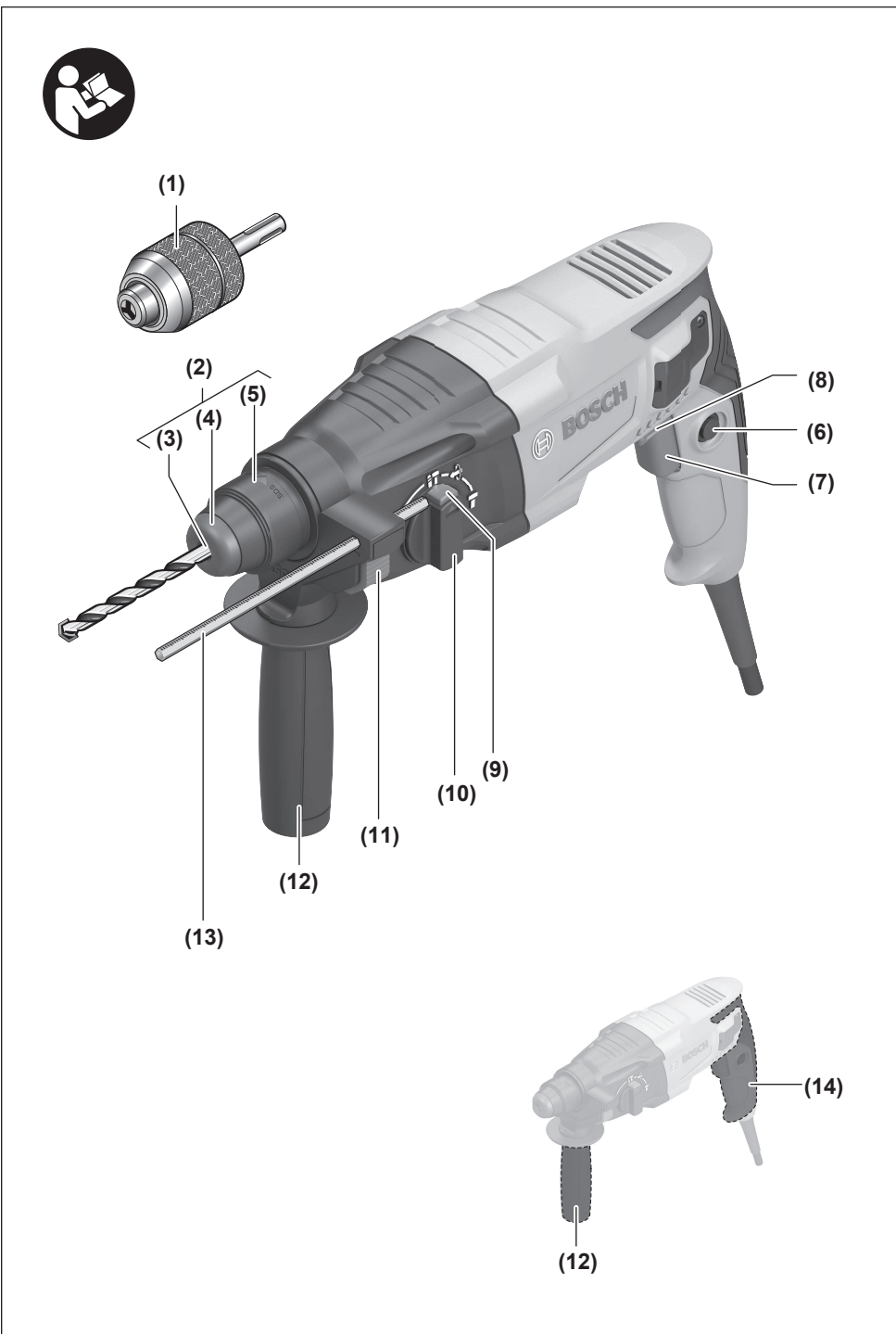
1 609 92A 8EV (2022.12) DOC / 18

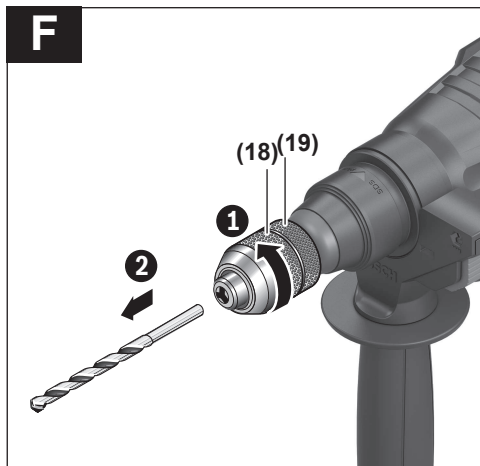
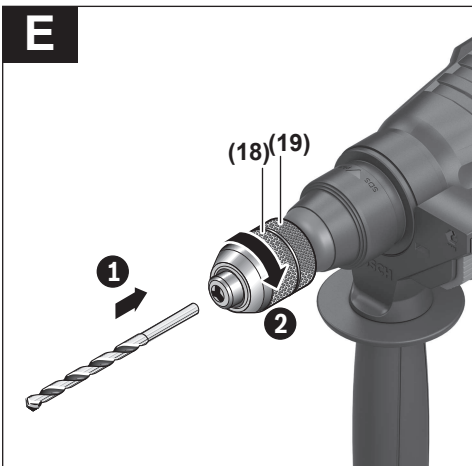
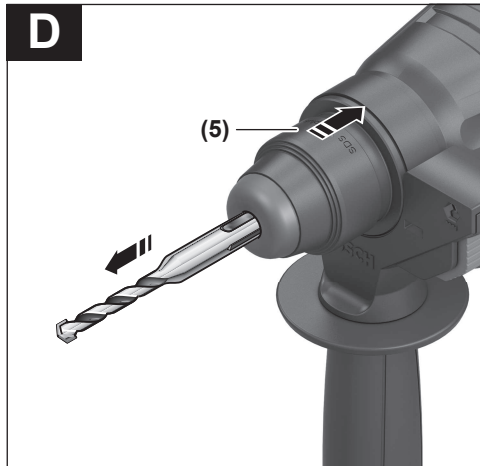
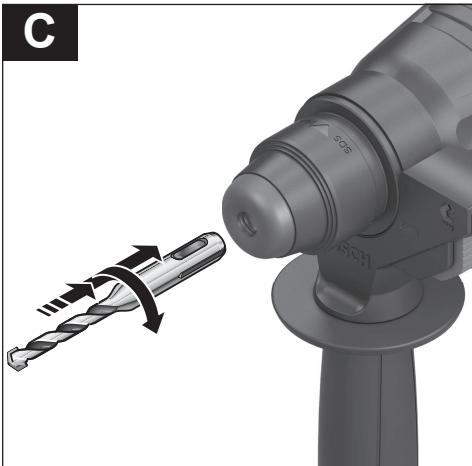
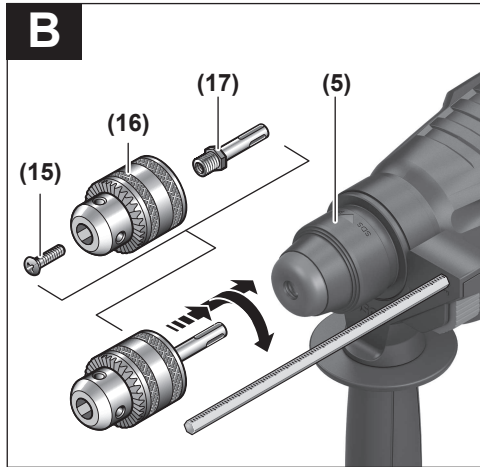
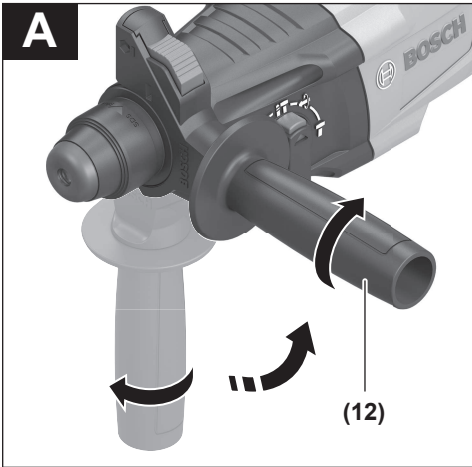


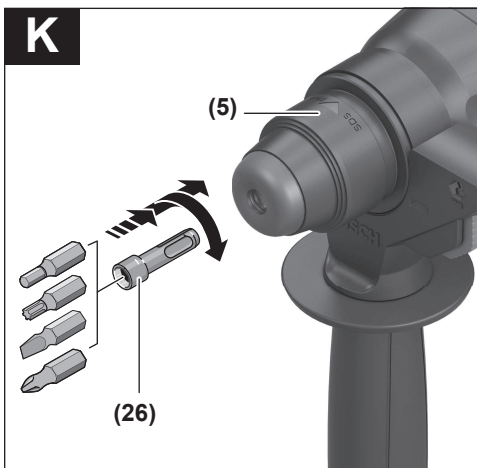
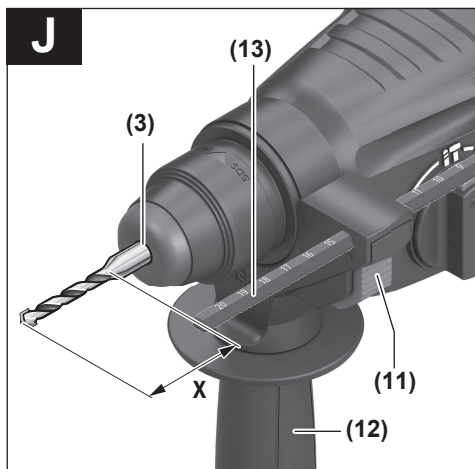
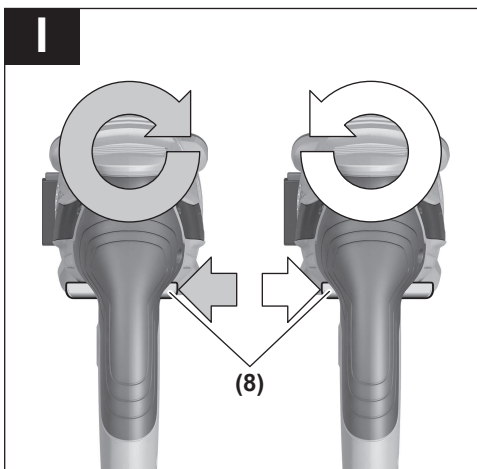
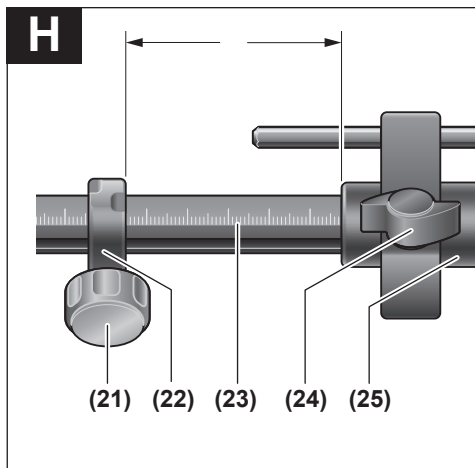
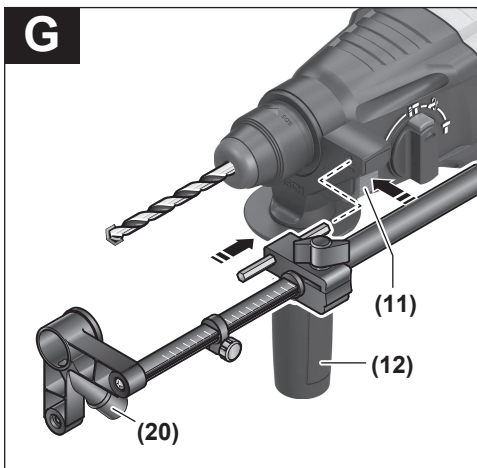
1 609 92A 8EV

en Original instructions
hi मूल ऑपरेटिंग मैनुअल









English

Safety instructions

General Power Tool Safety Warnings

WARNING Read all safety warnings, instructions, illustrations and specifications provided with this power tool. Failure to follow all instructions listed below may result in electric shock, fire and/or serious injury.

Save all warnings and instructions for future reference.

The term "power tool" in the warnings refers to your mains-operated (corded) power tool or battery-operated (cordless) power tool.

Work area safety

- ▶ **Keep work area clean and well lit.** Cluttered or dark areas invite accidents.
- ▶ **Do not operate power tools in explosive atmospheres, such as in the presence of flammable liquids, gases or dust.** Power tools create sparks which may ignite the dust or fumes.
- ▶ **Keep children and bystanders away while operating a power tool.** Distractions can cause you to lose control.

Electrical safety

- ▶ **Power tool plugs must match the outlet. Never modify the plug in any way. Do not use any adapter plugs with earthed (grounded) power tools.** Unmodified plugs and matching outlets will reduce risk of electric shock.
- ▶ **Avoid body contact with earthed or grounded surfaces, such as pipes, radiators, ranges and refrigerators.** There is an increased risk of electric shock if your body is earthed or grounded.
- ▶ **Do not expose power tools to rain or wet conditions.** Water entering a power tool will increase the risk of electric shock.
- ▶ **Do not abuse the cord. Never use the cord for carrying, pulling or unplugging the power tool. Keep cord away from heat, oil, sharp edges or moving parts.** Damaged or entangled cords increase the risk of electric shock.
- ▶ **When operating a power tool outdoors, use an extension cord suitable for outdoor use.** Use of a cord suitable for outdoor use reduces the risk of electric shock.
- ▶ **If operating a power tool in a damp location is unavoidable, use a residual current device (RCD) protected supply.** Use of an RCD reduces the risk of electric shock.

Personal safety

- ▶ **Stay alert, watch what you are doing and use common sense when operating a power tool. Do not use a power tool while you are tired or under the influence of drugs, alcohol or medication.** A moment of inatten-

tion while operating power tools may result in serious personal injury.

- ▶ **Use personal protective equipment. Always wear eye protection.** Protective equipment such as a dust mask, non-skid safety shoes, hard hat or hearing protection used for appropriate conditions will reduce personal injuries.
- ▶ **Prevent unintentional starting. Ensure the switch is in the off-position before connecting to power source and/or battery pack, picking up or carrying the tool.** Carrying power tools with your finger on the switch or energising power tools that have the switch on invites accidents.
- ▶ **Remove any adjusting key or wrench before turning the power tool on.** A wrench or a key left attached to a rotating part of the power tool may result in personal injury.
- ▶ **Do not overreach. Keep proper footing and balance at all times.** This enables better control of the power tool in unexpected situations.
- ▶ **Dress properly. Do not wear loose clothing or jewellery. Keep your hair and clothing away from moving parts.** Loose clothes, jewellery or long hair can be caught in moving parts.
- ▶ **If devices are provided for the connection of dust extraction and collection facilities, ensure these are connected and properly used.** Use of dust collection can reduce dust-related hazards.
- ▶ **Do not let familiarity gained from frequent use of tools allow you to become complacent and ignore tool safety principles.** A careless action can cause severe injury within a fraction of a second.

Power tool use and care

- ▶ **Do not force the power tool. Use the correct power tool for your application.** The correct power tool will do the job better and safer at the rate for which it was designed.
- ▶ **Do not use the power tool if the switch does not turn it on and off.** Any power tool that cannot be controlled with the switch is dangerous and must be repaired.
- ▶ **Disconnect the plug from the power source and/or remove the battery pack, if detachable, from the power tool before making any adjustments, changing accessories, or storing power tools.** Such preventive safety measures reduce the risk of starting the power tool accidentally.
- ▶ **Store idle power tools out of the reach of children and do not allow persons unfamiliar with the power tool or these instructions to operate the power tool.** Power tools are dangerous in the hands of untrained users.
- ▶ **Maintain power tools and accessories. Check for misalignment or binding of moving parts, breakage of parts and any other condition that may affect the power tool's operation. If damaged, have the power tool repaired before use.** Many accidents are caused by poorly maintained power tools.

- ▶ **Keep cutting tools sharp and clean.** Properly maintained cutting tools with sharp cutting edges are less likely to bind and are easier to control.
- ▶ **Use the power tool, accessories and tool bits etc. in accordance with these instructions, taking into account the working conditions and the work to be performed.** Use of the power tool for operations different from those intended could result in a hazardous situation.
- ▶ **Keep handles and grasping surfaces dry, clean and free from oil and grease.** Slippery handles and grasping surfaces do not allow for safe handling and control of the tool in unexpected situations.

Service

- ▶ **Have your power tool serviced by a qualified repair person using only identical replacement parts.** This will ensure that the safety of the power tool is maintained.

Hammer Safety Warnings

Safety instructions for all operations

- ▶ **Wear ear protectors.** Exposure to noise can cause hearing loss.
- ▶ **Use auxiliary handle(s), if supplied with the tool.** Loss of control can cause personal injury.
- ▶ **Hold the power tool by insulated gripping surfaces, when performing an operation where the cutting accessory or fasteners may contact hidden wiring or its own cord.** Cutting accessory or fasteners contacting a "live" wire may make exposed metal parts of the power tool "live" and could give the operator an electric shock.

Safety instructions when using long drill bits with rotary hammers

- ▶ **Always start drilling at low speed and with the bit tip in contact with the workpiece.** At higher speeds, the bit is likely to bend if allowed to rotate freely without contacting the workpiece, resulting in personal injury.
- ▶ **Apply pressure only in direct line with the bit and do not apply excessive pressure.** Bits can bend, causing breakage or loss of control, resulting in personal injury.

Additional Safety Information

- ▶ **Switch the power tool off immediately if the application tool becomes blocked. Be prepared for high torque reactions which cause kickback.** The application tool becomes blocked when it becomes jammed in the workpiece or when the power tool becomes overloaded.
- ▶ **Use suitable detectors to determine if utility lines are hidden in the work area or call the local utility company for assistance.** Contact with electric lines can lead to fire and electric shock. Damaging a gas line can lead to explosion. Penetrating a water line causes property damage or may cause an electric shock.
- ▶ **Always wait until the power tool has come to a complete stop before placing it down.** The application tool can jam and cause you to lose control of the power tool.

- ▶ **Secure the workpiece.** A workpiece clamped with clamping devices or in a vice is held more secure than by hand.

Products sold in GB only:

Your product is fitted with an BS 1363/A approved electric plug with internal fuse (ASTA approved to BS 1362).

If the plug is not suitable for your socket outlets, it should be cut off and an appropriate plug fitted in its place by an authorised customer service agent. The replacement plug should have the same fuse rating as the original plug.

The severed plug must be disposed of to avoid a possible shock hazard and should never be inserted into a mains socket elsewhere.

- ▶ **Do not touch any application tools or adjacent housing components shortly after operation.** These can become very hot during operation and cause burns.
- ▶ **The application tool may jam during drilling. Make sure you have a stable footing and hold the power tool firmly with both hands.** Otherwise you could lose control of the power tool.
- ▶ **Take care when carrying out demolition work using the chisel.** Falling fragments of the demolition material could injure you or any bystanders.

Product Description and Specifications



Read all the safety and general instructions.

Failure to observe the safety and general instructions may result in electric shock, fire and/or serious injury.

Please observe the illustrations at the beginning of this operating manual.

Intended Use

The power tool is intended for hammer drilling in concrete, brick and stone, as well as for light chiselling work. It is also suitable for drilling without impact in wood, metal, ceramic and plastic. Power tools with electronic control and right/left rotation are also suitable for screwdriving.

Product Features

The numbering of the product features refers to the diagram of the power tool on the graphics page.

- (1) Keyless chuck³⁾
- (2) SDS-plus drill chuck
- (3) SDS-plus tool holder
- (4) Dust protection cap
- (5) Locking sleeve
- (6) Lock-on button for on/off switch
- (7) On/off switch
- (8) Rotational direction switch
- (9) Release button for impact/mode selector switch
- (10) Impact/mode selector switch

- (11) Button for depth stop adjustment
- (12) Auxiliary handle (insulated gripping surface)
- (13) Depth stop
- (14) Handle (insulated gripping surface)
- (15) Securing screw for keyed chuck^{a)}
- (16) Keyed chuck^{a)}
- (17) SDS plus shank for drill chuck^{a)}
- (18) Front sleeve of the keyless chuck^{a)}
- (19) Rear sleeve of the keyless chuck^{a)}
- (20) Saugfix suction opening^{a)}
- (21) Saugfix clamping screw^{a)}
- (22) Saugfix depth stop^{a)}
- (23) Saugfix telescopic tube^{a)}
- (24) Saugfix wing bolt^{a)}
- (25) Saugfix guide tube^{a)}
- (26) Universal holder with SDS-plus shank^{a)}

a) **Accessories shown or described are not included with the product as standard. You can find the complete selection of accessories in our accessories range.**

Technical Data

Rotary hammer		GBH 220
Article number		3 611 BA6 0..
Rated power input	W	720
Impact rate	min ⁻¹	0-4800
Impact energy per stroke according to EPTA-Procedure 05:2016	J	2.0
No-load speed	min ⁻¹	0-2000
Tool holder		SDS-plus
Spindle collar diameter	mm	48.5
Max. drilling diameter		
– Concrete ^{a)}	mm	22
– Steel	mm	13
– Wood	mm	30
Weight according to EPTA-Procedure 01:2014	kg	2.3
Protection class		□/II

A) optimum performance with drilling diameter 6–12 mm
The specifications apply to a rated voltage [U] of 230 V. These specifications may vary at different voltages and in country-specific models.

Assembly

- ▶ **Pull the plug out of the socket before carrying out any work on the power tool.**

Auxiliary handle

- ▶ **Do not operate your power tool without the auxiliary handle (12).**

- ▶ **Make sure that the auxiliary handle is always tightened.** Otherwise you could lose control of the power tool when working.

Swivelling the auxiliary handle (see figure A)

You can swivel the auxiliary handle (12) to any angle for a safe work posture that minimises fatigue.

- Turn the lower gripping end of the auxiliary handle (12) anticlockwise and swivel the auxiliary handle (12) into the required position. Then turn the lower gripping end of the auxiliary handle (12) clockwise to retighten it. Make sure that the retaining strap of the auxiliary handle slots into the corresponding groove of the housing.

Selecting drill chucks and tools

Hammer drilling and chiselling require SDS-plus application tools that are inserted into the SDS-plus drill chuck.

For drilling without impact in wood, metal, ceramic and plastic as well as for screwdriving, tools without SDS-plus are used (e.g. cylindrical shank drill bits). For these tools, a keyless chuck or a keyed chuck are required.

Changing the drill chuck

Fitting the keyless chuck/keyed chuck (see figure B)

- Screw the SDS-plus shank (17) into a keyless chuck (1)/keyed chuck (16). Secure the keyless chuck (1)/keyed chuck (16) using the securing screw (15). **Note that the securing screw has a left-hand thread.**

Inserting the keyless chuck/keyed chuck (see figure B)

- Clean and lightly grease the insertion end of the SDS plus shank (17).
- Insert the keyless chuck (1)/keyed chuck (16) with the shank into the tool holder with a turning motion until it locks automatically.
- Check that it is locked by pulling the keyless chuck (1)/keyed chuck (16).

Removing the keyless chuck/keyed chuck

- Push the locking sleeve (5) back and remove the keyless chuck (1)/keyed chuck (16).

Changing the Tool

The dust protection cap (4) largely prevents the penetration of drilling dust into the tool holder during operation. When inserting the tool, make sure that the dust protection cap (4) does not become damaged.

- ▶ **Replace a damaged dust protection cap immediately. It is recommended that you have use an after-sales service for this.**

Changing the tool (SDS plus)

Inserting SDS-plus application tools (see figure C)

The SDS-plus drill chuck enables you to change the application tool easily and conveniently without needing to use additional tools.

- Clean and lightly grease the insertion end of the application tool.

- Insert the application tool into the tool holder while turning it until it locks automatically.
- Check the latching by pulling the tool.

As a requirement of the system, the SDS-plus application tool can move freely. This causes a certain radial run-out at no-load, which has no effect on the accuracy of the drill hole, as the drill bit centres itself upon drilling.

Removing SDS-plus application tools (see figure D)

- Push the locking sleeve (5) back and remove the application tool.

Changing the keyless quick-change chuck

Inserting the application tool (see figure E)

Note: Application tools that do not have SDS plus must not be used for hammer drilling or chiselling. Tools without SDS plus and their drill chucks are damaged by hammer drilling or chiselling.

- Insert the keyless chuck (1).
- Hold the rear sleeve (19) of the keyless chuck (1) firmly and turn the front sleeve (18) anti-clockwise until the tool can be inserted. Insert the tool.
- Hold the rear sleeve of the keyless chuck (1) and firmly tighten the front sleeve by hand in a clockwise direction until it stops clicking. This will automatically lock the drill chuck.
- Check that it is seated securely by pulling the tool.

Note: If the tool holder was unscrewed all the way, a scraping sound may be heard while retightening the tool holder and it may not fully tighten.

In this case, turn the front sleeve in the opposite direction to the arrow by one full turn. This will allow the tool holder to be fully tightened.

- Turn the impact/mode selector switch (10) to the "drilling" position.

Removing the application tool (see figure F)

- Hold the rear sleeve (19) of the keyless chuck firmly in place. Open the tool holder by turning the front sleeve in the direction of the arrow until the tool can be removed.

Dust/Chip Extraction

The dust from materials such as lead paint, some types of wood, minerals and metal can be harmful to human health. Touching or breathing in this dust can trigger allergic reactions and/or cause respiratory illnesses in the user or in people in the near vicinity.

Certain dusts, such as oak or beech dust, are classified as carcinogenic, especially in conjunction with wood treatment additives (chromate, wood preservative). Materials containing asbestos may only be machined by specialists.

- Use a dust extraction system that is suitable for the material wherever possible.
- Provide good ventilation at the workplace.
- It is advisable to wear a P2 filter class breathing mask.

The regulations on the material being machined that apply in the country of use must be observed.

- ▶ **Avoid dust accumulation at the workplace.** Dust can easily ignite.

Dust extraction with the dust extraction attachment (accessory)

Fitting the dust extraction attachment (see figure G)

For dust extraction, the dust extraction attachment (accessory) is required. When drilling, the dust extraction attachment retracts so that the attachment head is always close to the surface at the drill hole.

- Press the button for depth stop adjustment (11) and remove the depth stop (13). Press the button (11) again and insert the dust extraction attachment into the auxiliary handle (12) from the front.
- Connect an extraction hose (diameter 19 mm, accessory) to the suction opening (20) of the dust extraction attachment.

The dust extractor must be suitable for the material being worked.

When extracting dust that is dry, especially detrimental to health or carcinogenic, use a special dust extractor.

Setting the drilling depth on the dust extraction attachment (see figure H)

You can also set the required drilling depth **X** when the dust extraction attachment is fitted.

- Push the SDS-plus application tool into the SDS-plus tool holder (3) as far as it will go. Otherwise, the movability of the SDS-plus drilling tool can lead to incorrect adjustment of the drilling depth.
- Loosen the wing bolt (24) on the dust extraction attachment.
- Without switching it on, press the power tool firmly against the surface you wish to drill. The SDS-plus application tool must be touching the surface.
- Position the guide tube (25) of the dust extraction attachment in its holder such that the head of the dust extraction attachment rests on the surface to be drilled. Do not slide the guide tube (25) further than necessary over the telescopic tube (23), so that as much as possible of the scale remains visible on the telescopic tube (23).
- Retighten the wing bolt (24). Loosen the clamping screw (21) on the depth stop of the dust extraction attachment.
- Slide the depth stop (22) onto the telescopic tube (23) so that the distance **X** shown in the illustration matches your required drilling depth.
- Tighten the clamping screw (21) in this position.

Operation

- ▶ **Products that are only sold in AUS and NZ:** Use a residual current device (RCD) with a nominal residual current of 30 mA or less.

Start-up

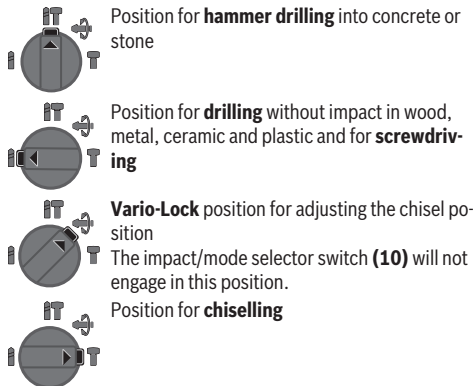
- ▶ **Pay attention to the mains voltage! The voltage of the power source must match the voltage specified on the rating plate of the power tool. Power tools marked with 230 V can also be operated with 220 V.**

Setting the Operating Mode

The operating mode of the power tool is selected using the impact/mode selector switch (10).

- To change the operating mode, press the release button (9) and turn the impact/mode selector switch (10) until it clicks into the required position.

Note: Only change the operating mode when the power tool is switched off. Otherwise, the power tool may become damaged.



Setting the rotational direction (see figure I)

The rotational direction switch (8) is used to change the rotational direction of the power tool. However, this is not possible while the on/off switch (7) is being pressed.

- ▶ **Only operate the rotational direction switch (8) when the power tool is not in use.**

Always set the rotational direction to clockwise rotation for hammer drilling, drilling and chiselling.

- **Clockwise:** To drill and to drive in screws, press the rotational direction switch (8) all the way to the left.
- **Anticlockwise:** To loosen and unscrew screws and nuts, press the rotational direction switch (8) all the way to the right.

Switching On/Off

- To **switch on** the power tool, press the on/off switch (7).
- To **lock** the on/off switch (7), press and hold it while also pushing the lock-on button (6).
- To **switch off** the power tool, release the on/off switch (7). If the on/off switch (7) is locked, press the switch first and then release it.

Adjusting the Speed/Impact Rate

You can adjust the speed/impact rate of the power tool when it is on by pressing in the on/off switch (7) to varying extents.

Applying light pressure to the on/off switch (7) results in a low rotational speed/impact rate. Applying increasing pressure to the switch increases the speed/impact rate.

Changing the chiselling position (Vario-Lock)

You can lock the chisel in **13** different positions, so you can select the optimum working position for each task.

- Insert the chisel into the tool holder.
- Turn the impact/mode selector switch (10) to the "Vario-Lock" position.
- Turn the application tool to the required chisel position.
- Turn the impact/mode selector switch (10) to the "chiselling" position. With this, the tool holder is locked.
- Set the rotational direction for chiselling to clockwise.

Chiselling with lock function

To chisel for extended periods without pressing the on/off switch (7), lock the on/off switch in "chiselling" operating mode.

- To **lock** the power tool, press the on/off switch (7) down fully whilst simultaneously pressing the lock-on switch (6).
- To switch the lock off, press the lock-on button (6) again.

Practical Advice

- ▶ **Only apply the power tool to the screw/nut when the tool is switched off.** Rotating tool inserts can slip off.

Setting the drilling depth (see figure J)

You can use the depth stop (13) to set the required drilling depth X.

- Press the button for depth stop adjustment (11) and insert the depth stop into the auxiliary handle (12).
The fluting on the depth stop (13) must face downwards.
- Insert the SDS-plus application tool into the SDS-plus tool holder (3) to the stop. Otherwise, the movability of the SDS-plus drilling tool can lead to incorrect adjustment of the drilling depth.
- Pull the depth stop far enough out that the distance between the drill bit tip and the edge of the depth stop corresponds to the required drilling depth X.

Overload clutch

- ▶ **If the application tool jams or snags, the power transmission to the drill spindle will be interrupted. Always hold the power tool firmly with both hands to withstand the forces this may create and adopt a position with stable footing.**
- ▶ **Switch the power tool off immediately and remove the application tool if the power tool becomes blocked. Switching on when the drilling tool is blocked may cause high torque reactions.**

Inserting screwdriver bits (see figure K)

- ▶ **Only apply the power tool to the screw/nut when the tool is switched off.** Rotating tool inserts can slip off.

A universal holder (26) with SDS-plus shank (accessory) is required to work with screwdriver bits.

- Clean and lightly grease the insertion end of the shank.
- Insert the universal holder into the tool holder while turning it until it locks automatically.

- Check that it is locked by pulling the universal holder.
- Insert a screwdriver bit in the universal holder. Only use screwdriver bits that fit the screw head.
- To remove the universal holder, slide the locking sleeve **(5)** backwards and remove the universal holder **(26)** from the tool holder.

Disposal

The power tool, accessories and packaging should be recycled in an environmentally friendly manner.



Do not dispose of power tools along with household waste.

Maintenance and Service

Maintenance and Cleaning

- ▶ **Pull the plug out of the socket before carrying out any work on the power tool.**
- ▶ **To ensure safe and efficient operation, always keep the power tool and the ventilation slots clean.**

In order to avoid safety hazards, if the power supply cord needs to be replaced, this must be done by **Bosch** or by an after-sales service centre that is authorised to repair **Bosch** power tools.

- ▶ **Replace a damaged dust protection cap immediately. It is recommended that you have use an after-sales service for this.**
- Clean the tool holder **(3)** after each use.

After-Sales Service and Application Service

Our after-sales service responds to your questions concerning maintenance and repair of your product as well as spare parts. You can find explosion drawings and information on spare parts at: www.bosch-pt.com

The Bosch product use advice team will be happy to help you with any questions about our products and their accessories.

In all correspondence and spare parts orders, please always include the 10-digit article number given on the nameplate of the product.

India

Bosch Service Center
69, Habibullah Road, (Next to PSBB School), T. Nagar
Chennai – 600077
Phone: (044) 64561816

Bosch Service Center
18, Community Center
Phase 1, Mayapuri
New Delhi – 110064
Phone: (011) 43166190

Bosch Service Center
Shop no 7&8, Aspen garden
Walbhat road, Goregaon (E)
Near to Ram Mandir Railway Station
Mumbai – 400063
Mobile: 09819952950

You can find further service addresses at:

www.bosch-pt.com/serviceaddresses

हिंदी

सुरक्षा निर्देश

पाँवर टूल सुरक्षा की सामान्य चेतावनियाँ

⚠ चेतावनियाँ इस पावर टूल के साथ दी गई सभी सुरक्षा चेतावनियों, निर्देशों, सचित्र वर्णनों और विनिर्देशों को ध्यान से पढ़ें। सभी निर्देशों का पालन न करने के परिणामस्वरूप बिजली का झटका, आग और/या गंभीर चोट लग सकती है।

भविष्य के संदर्भ के लिए सभी चेतावनियों और निर्देशों को सहेजें।

चेतावनियों में शब्द "पावर टूल" का संबंध आपकी मेन्स-ऑपरेटेड (कॉर्डेड) पावर टूल या बैटरी से चलने वाले (कॉर्डलेस) पावर टूल से होता है।

कार्य क्षेत्र सुरक्षा

- ▶ **कार्यक्षेत्र पर सफाई और अच्छी रोशनी बनाए रखें।** अव्यवस्थित या अंधेरे वाले क्षेत्रों में दुर्घटना हो सकती है।
- ▶ **पावर टूल को विस्फोटक वाले वातावरण जैसे ज्वलनशील तरल पदार्थ, गैस या धूल की मौजूदगी में संचालित न करें।** पावर टूल से चिंगारी उत्पन्न होती है जिससे धूल या धुआँ आग पकड़ सकता है।
- ▶ **पावर टूल का संचालन करते समय बच्चों और आसपास खड़े लोगों को दूर रखें।** ध्यान भटकने से आप नियंत्रण खो सकते हैं।

विद्युत सुरक्षा

- ▶ **पावर टूल के प्लग को आउटलेट के समान होना चाहिए।** कभी-भी प्लग में किसी प्रकार का बदलाव न करें। भूमिगत (ग्राउंडेड) पावर टूल वाले किसी भी एडॉप्टर प्लग का उपयोग न करें। अनमॉडिफ़ाइड प्लग और समान आउटलेट से बिजली के झटके का खतरा कम होगा।
- ▶ **पाइप, रेडिएटर, रेंज और रेफ्रिजरेटर जैसे भूमिगत या ग्राउंडेड सर्किट के साथ शरीर का संपर्क आने से बचें।** यदि आपका शरीर भूमिगत या ग्राउंडेड हो जाता है, तो इससे बिजली के झटके का खतरा बढ़ जाता है।
- ▶ **पावर टूल को बारिश या नमी वाली परिस्थितियों के संपर्क में न आने दें।** पावर टूल में पानी जाने से बिजली के झटके का खतरा बढ़ जाता है।
- ▶ **कॉर्ड का दुरुपयोग न करें।** कभी भी कॉर्ड को पावर टूल को ले जाने, खींचने या प्लग से निकालने के लिए उपयोग न करें। कॉर्ड को गर्मी, तेल, नुकीले किनारों या गतिमान हिस्सों से दूर रखें। क्षतिग्रस्त या उलझी हुई कॉर्ड से बिजली के झटके का खतरा बढ़ जाता है।
- ▶ **पावर टूल का बाह्य संचालन करते समय, बाहरी उपयोग के लिए उपयुक्त एक्सटेंशन कॉर्ड का उपयोग करें।** बाहरी उपयोग के लिए उपयुक्त कॉर्ड से बिजली के झटके का खतरा कम हो जाता है।

- ▶ **अगर नमी वाले स्थान पर पावर टूल का संचालन टालने योग्य नहीं है तो रेसिड्यूअल करंट डिवाइस (आरसीडी) रक्षित सहायक साधन उपयोग करें।** RCD के उपयोग से बिजली के झटके का खतरा कम हो जाता है।

व्यक्तिगत सुरक्षा

- ▶ **सचेत रहें, यह देखें कि आप क्या कर रहे हैं और पावर टूल संचालित करते समय सही समझ का उपयोग करें।** थकान के दौरान, ड्रग्स, अल्कोहल या दवा के प्रभाव में पावर टूल का उपयोग न करें। पावर टूल संचालित करते समय एक क्षण की भी लापरवाही का नतीजा गंभीर व्यक्तिगत चोट हो सकती है।
- ▶ **निजी सुरक्षा उपकरण का उपयोग करें।** हमेशा आँखों की सुरक्षा संबंधी उपकरण पहनें। उचित परिस्थितियों में रक्षा उपकरण जैसे धूल से बचने का मास्क, फिसलन से बचाने वाले सुरक्षा जूते, हार्ड हैट या सुनने संबंधी सुरक्षा का उपयोग व्यक्तिगत चोट को कम करेंगे।
- ▶ **अनजाने में शुरू करने से बचें। टूल को बिजली के स्रोत और/या बैटरी पैक से जोड़ने, उठाने या ले जाने से पहले यह सुनिश्चित करें कि स्विच बंद है।** पावर टूल ले जाते समय स्विच पर अंगुली रखने या स्विच चालू रखकर पावर टूल को ऊर्जा देने से दुर्घटनाएँ हो सकती हैं।
- ▶ **पावर टूल को चालू करने से पहले समायोजित करने की कोई भी चाबी या रेंच को बाहर निकाल लें।** पावर टूल के गतिमान हिस्से से जुड़े रह गए रेंच या चाबी से व्यक्तिगत चोट भी लग सकती है।
- ▶ **धोखा न खाएँ। हमेशा पैर ठीक से और संतुलन में रखें।** इससे अनपेक्षित परिस्थितियों में पावर टूल पर नियंत्रण बेहतर होता है।
- ▶ **ठीक से कपड़े पहनें। ढीले कपड़े या आभूषण न पहनें।** अपने बाल और कपड़े गतिमान हिस्सों से दूर रखें। ढीले कपड़े, आभूषण या लंबे बाल गतिमान हिस्सों की पकड़ में आ सकते हैं।
- ▶ **अगर धूल निकालने और एकत्रित करने के लिए उपकरण उपलब्ध हैं तो यह सुनिश्चित करें कि वे जुड़े हुए हैं और उनका ठीक से उपयोग हो रहा है।** धूल संग्रह का उपयोग धूल संबंधी खतरों को कम कर सकता है।
- ▶ **उपकरण बार-बार उपयोग करने पर इनके अभ्यस्त हो जाने के बाद, अति-विश्वास में टूल के सुरक्षा सिद्धांतों का पालन करना न भूलें।** असर्तक गतिविधि से महज कुछ सेकंड में गंभीर चोट लग सकती है।

पाँवर टूल उपयोग और देखभाल

- ▶ **पावर टूल पर दबाव न डालें।** अपने एप्लिकेशन के लिए सही पावर टूल का उपयोग करें। सही पावर टूल काम को बेहतर करेगा और उस दर पर सुरक्षित रहेगा जिसके लिए उसे डिजाइन किया गया था।
- ▶ **यदि स्विच सेचालू और बंद नहीं होता है, तो पावर टूल का उपयोग न करें।** कोई भी पावर टूल जिसे स्विच से नियंत्रित नहीं किया जा सकता, वह खतरनाक है और उसे ठीक करवाना चाहिए।

- ▶ कोई भी सुधार करने, एक्सेसरीज़ बदलने या पावर टूल को बदलने से पहले पावर टूल के प्लग को ऊर्जा स्रोत से अलग करें और/या बैटरी पैक हटाएं. इस तरह के सुरक्षा निवारण उपायों से पावर टूल के दुर्घटनावाहक शुरू होने का खतरा कम हो जाता है.
- ▶ निष्क्रिय पावर टूल को बच्चों की पहुँच से दूर रखें और पावर टूल या और उसके निर्देशों से अपरिचित लोगों को पावर टूल को संचालित न करने दें. पावर टूल अप्रशिक्षित उपयोगकर्ताओं के हाथ में खतरनाक हैं.
- ▶ पावर टूल और एक्सेसरीज़ का रखरखाव करें. गतिमान हिस्सों का अलाइनमेंट खराब होने या जाम होने, टूटने या किसी अन्य परिस्थिति की जांच करें जो पावर टूल के संचालन को प्रभावित कर सकती है. क्षतिग्रस्त होने पर उपयोग से पहले पावर टूल को ठीक करवाएं. कई हादसे खराब रखरखाव वाले पावर टूल की वजह से होते हैं.
- ▶ काटने वाले टूल्स को तेज़ और साफ़ रखें. उचित रखरखाव के साथ नुकीले कटिंग एज वाले पावर टूल के जाम होने की संभावना कम है और उन्हें आसानी से नियंत्रित किया जा सकता है.
- ▶ पावर टूल, एक्सेसरीज़ और टूल बिट्स आदि का काम की परिस्थितियों और किए जाने वाले काम को मद्देनज़र रखते हुए इन निर्देशों के अनुसार उपयोग करें. पावर टूल का तय संचालन से अलग उपयोग का नतीजा खतरनाक परिस्थितियाँ हो सकती हैं.
- ▶ हैंडल और पकड़ने वाली सतह को सूखा, साफ़ और तेल और ग्रीस से मुक्त रखें. फ़िसलन वाले हैंडल और पकड़ने वाली सतह अनपेक्षित परिस्थितियों में टूल की सुरक्षित रूप से पकड़ने और नियंत्रण की अनुमति नहीं देती.

सेवा

- ▶ अपने पावर टूल की सर्विस किसी प्रशिक्षित व्यक्ति द्वारा केवल समान रिप्लेसमेंट पुर्जों के साथ करवाएं. यह सुनिश्चित करेगा कि पावर टूल की सुरक्षा कायम है.

सभी ऑपरेशन के लिए सुरक्षा निर्देश

- ▶ ईयर प्रोटेक्टर पहनें। ज्यादा शोर में रहने से बहरे हो सकते हैं।
- ▶ अगर टूल के साथ दिया जाता है, तो ऑकिंगलरी हैंडल का उपयोग करें। नियंत्रण खोने से शारीरिक चोट लग सकती है।
- ▶ इंसुलेटेड ग्लिपिंग सर्किस वाले पावर टूल को तब पकड़ें, जब ऑपरेशन करते समय कटिंग एक्सेसरी या फ़ास्टनर्स छिपे हुए वायर या अपने स्वयं की कॉर्ड के संपर्क में आ सकते हैं। „लाइव“ वायर से संपर्क में आने वाली कटिंग एक्सेसरी या फ़ास्टनर्स से „लाइव“ पावर टूल के धातु वाले भाग खुल सकते हैं और इससे ऑपरेटर को बिजली का झटका लग सकता है।

रोटरी हैमरों के साथ लंबे ड्रिल बिट्स का उपयोग करते समय सुरक्षा निर्देश

- ▶ ड्रिल करने की प्रक्रिया को हमेशा कम गति के साथ और जब ड्रिलिंग टूल का वर्कपीस के साथ संपर्क हो तब शुरू करें। उच्च गतियों की स्थिति में ड्रिल थोड़ा सा टेढ़ा हो सकता है, जब यह वर्कपीस के साथ संपर्क न होते हुए स्वतंत्र घूम सकता है, और इसकी वजह से चोटें लग सकती हैं।
- ▶ अत्यधिक प्रेशर न लगाएं और केवल यह ड्रिलिंग टूल के लॉनजिटयूडीनल दिशा में ही करें। ड्रिल टेढ़ा हो सकता है और इसकी वजह से टूट सकता है या इसपर नियंत्रण खोया जा सकता है और चोटें लग सकती हैं।

उत्पाद और सेवा का विवरण



सभी सुरक्षा चेतावनियाँ और निर्देश सुरक्षा चेतावनियों और निर्देशों का पालन नहीं करने पर बिजली का झटका, आग और गंभीर चोट लगने का खतरा है। कृपया संचालन निर्देश के अगले भाग में दिए गए चित्रों पर ध्यान दें।

लक्षित उद्देश्य के लिए उपयोग

यह बिजली उपकरण कंक्रीट, ईट और पत्थर में हथौड़ा ड्रिलिंग के लिए साथ ही अन्य हल्की चासलिंग कार्य के लिए निर्मित किए हैं। यह लकड़ी, धातु, चीनी मिट्टी और प्लास्टिक में भी अन्य प्रभाव के बिना ड्रिलिंग के लिए उपयुक्त है। इलेक्ट्रॉनिक यंत्र जिनमें दाएँ / बाएँ घुमाने कि सुविधा है, वे पेंच बैठाने के लिए भी उपयुक्त हैं।

उपलब्ध सामग्री


चित्रित घटकों की नंबरिंग ग्राफिक पेज पर पावर टूल के चित्रण को संदर्भित करती है।

- (1) जल्द-गति ड्रिल चक्रA)
- (2) SDS plus ड्रिल चक्र
- (3) SDS plus टूल धारक
- (4) धूल से बचने का आवरण
- (5) लॉकिंग स्लीव
- (6) चालू/बंद स्विच के लिए लॉकिंग कुंजी
- (7) ऑन/ऑफ स्विच
- (8) रिवर्सिंग स्विच
- (9) प्रभाव/घुमाव बंद करने के स्विच के लिए रिलीज़ बटन
- (10) प्रभाव/घुमाव बंद करने के लिए स्विच
- (11) गहराई स्टॉप को सेट करने के लिए बटन
- (12) अतिरिक्त हैंडल (इन्सुलेट की हुई हैंडल सतह)
- (13) गहराई स्टॉप
- (14) हस्त हैंडल (इन्सुलेट की गई हैंडल सतह)
- (15) चाबीदार ड्रिल चक्र के लिए लॉकिंग स्कूA)
- (16) चाबीदार ड्रिल चक्रA)
- (17) ड्रिल चक्र के लिए SDS plus-माउंटिंग शाफ़्टA)

- (18) जलद-गती ड्रिल चक के सामने वाली आस्तीन^{A)}
- (19) जलद-गती ड्रिल चक के पीछे आस्तीन^{A)}
- (20) सक्शन ओपनिंग Saugfix^{A)}
- (21) क्लैपिंग स्क्रू Saugfix^{A)}
- (22) डेपथ स्टॉप Saugfix^{A)}
- (23) टेलिस्कोपिक ट्यूब Saugfix^{A)}
- (24) विंग स्क्रू Saugfix^{A)}
- (25) गाइड ट्यूब Saugfix^{A)}
- (26) SDS plus माउंट शाफ्ट के साथ यूनीवर्सल धारक^{A)}

A) सचित्र या वर्णित सहायक उपकरण वितरण के मानक क्षेत्र का हिस्सा नहीं है। आपको हमारे सर्व उपकरणों के एक्सेसरीज़ हमारे एक्सेसरीज़ प्रोग्राम में प्राप्त होंगे।

तकनीकी डेटा

हथौड़ा ड्रिल बिट्स	GBH 220	
आर्टिकल संख्या		3 611 BA6 0..
मूल्यांकित इनपुट पावर	W	720
स्ट्रोक की दर	min ⁻¹	0-4800
एकल प्रभाव शक्ति EPTA-Procedure के अनुसार 05:2016	J	2,0
लोड-रहित संचालन गति	मिन ⁻¹	0-2000
उपकरण धारक		SDS-plus
स्पिंडल नेक व्यास	मिमी	48,5
अधिकतम ड्रिलिंग व्यास		
- कंक्रीट ^{A)}	मिमी	22
- स्टील	मिमी	13
- लकड़ी	मिमी	30
वजन EPTA-Procedure 01:2014 के अनुसार	किग्रा	2,3
सुरक्षा श्रेणी		 / II

A) ड्रिलिंग व्यास के साथ इष्टतम प्रदर्शन **6-12 मिमी**

आंकड़े 230 V के एक रेटेड वोल्टेज [U] के लिए हैं। वोल्टेज परिवर्तन और देश-विशिष्ट डिज़ाइनों के अनुसार यह प्रमाण अलग हो सकते हैं।

विविध सामग्री को जोड़ना

- ▶ पावर टूल पर कोई कार्य करते समय प्लग को सफ़िट से निकाल लें।

अतिरिक्त हैंडल

- ▶ केवल अतिरिक्त हैंडल के साथ अपने बिजली उपकरण का उपयोग करें। (12).
- ▶ इस बात का ध्यान रखें कि अतिरिक्त हैंडल अच्छे से सका हुआ है। अन्यतः आप काम करते समय पावर टूल पर नियंत्रण खो सकते हैं।

अतिरिक्त हैंडल घुमाए (चित्र देखें A)

आप सुरक्षित और थकान मुक्त तरिकेसे काम करने के लिए आवश्यकतानुसार अतिरिक्त हैंडल (12) को घुमाए।

- निचे के हैंडल के अतिरिक्त हैंडल (12) को घड़ी कि विरुद्ध दिशा में घुमाए और (12) मनचाहे अवस्था तक अतिरिक्त हैंडल को लाइए। उसके उपरांत अतिरिक्त हैंडल के निचे वाली हैंडल को (12) घड़ी कि दिशा में घुमाए। सुनिश्चित करें कि अतिरिक्त संभाल पट्टा आवास पर प्रदान किए गए खांचे में निहित है।

ड्रिल चक और उपकरण का चयन

हथौड़ा और छेनी के लिए, आपको एसडीएस-प्लस टूल की आवश्यकता होती है जिसे एसडीएस-प्लस ड्रिल चक में डाला जाता है।

लकड़ी, धातु, चीनी मिट्टी और प्लास्टिक में प्रभाव बनाए बिना ड्रिलिंग के लिए और इसके साथ-साथ पेंच लगाने के लिए, एसडीएस-प्लस (जैसे, बेलनाकार हैंडल वाले ड्रिल) के उपकरणों का उपयोग किया जाता है। इन उपकरणों के लिए आपको जलद-गती ड्रिल चक या क्राउन गिअर ड्रिल चक आवश्यक हैं।

ड्रिल चक बदलें

जलद-गती ड्रिल चक या क्राउन गिअर ड्रिल चक को जोड़े। (चित्र B देखें)

- SDS-plus माउंटिंग शाफ्ट (17) को कुंजीविरहित चक (1)/कुंजी जैसे चक में बिटाए (16)। स्क्रू विरहित (1)/स्क्रू जैसे ड्रिल चक (16) को लॉकिंग स्क्रू (15) का इस्तेमाल करते हुए पकड़ा करें। स्क्रू को बाएं हाथ के तरफ वाले घुमाव हो, इस बात का विशेष ध्यान रखें।

जलद-गती ड्रिल चक या क्राउन गिअर ड्रिल चक को जोड़े। (चित्र B देखें)

- SDS plus-माउंटिंग शाफ्ट के स्पिगट एंड को साफ करें (17) और इसे हल्का सा ग्रीज़ करें।
- माउंटिंग शाफ्ट के साथ जलद-गति ड्रिल चक (1)/चाबिदार ड्रिल चक (16) को घुमाते हुए टूल माउंट में इन्सर्ट करें, जब तक कि यह अपने आप से लॉक न हो जाए।
- जलद-गती ड्रिल चक (1)/चाबिदार ड्रिल चक (16) पर खींचकर लॉकिंग की जांच करें।

जलद-गती ड्रिल चक या क्राउन गिअर ड्रिल चक निकालें।

- लॉकिंग स्लीव (5) को पीछे की ओर दबाएं और कुंजीविरहित चक (1)/कुंजी जैसे चक को (16) हटा दें।

टूल बदलना

धूल से संरक्षण करने वाली टोपी (4) काफी हद तक टूल धारक के अंदर जाने से धूल को रोकती है। जब उपकरण सम्मिलित करना हो, सुनिश्चित करें कि धूल टोपी (4) क्षतिग्रस्त नहीं है।

- ▶ क्षतिग्रस्त धूल टोपी तुरंत बदले। यह ग्राहक सेवा के द्वारा किया जाए तो बहतर है, ऐसी हम सिफारिश करते हैं।

उपकरण परिवर्तन (एसडीएस प्लस)

एसडीएस डालें - प्लस डालने उपकरण लगाए (चित्र C देखें)
एसडीएस प्लस ड्रिल चक के साथ, आप आसानी से और अन्य किसी उपकरण के अन्य सहायक उपकरण बदल सकते हैं।

- सहायक उपकरण को साफ कर उसे तेल से ग्रीसिंग करें।
- सहायक उपकरण को टूल धारक में घुमाकर जोड़े जबतक वह स्वयंचालित प्रणाली से बंद न हो जाए।

- उपकरण उपर खींच कर ताला लगा हैं इसकी जाँच करें। एसडीएस-प्लस एप्लिकेशन टूल सिस्टम के अनुसार स्वतंत्र रूप से चलने योग्य है। यह बेकार में इंजन बेकार होना, विचलन का कारण बन सकता है। बोरहोल की सटीकता पर इसका कोई प्रभाव नहीं होता है, क्योंकि ड्रिल ड्रिलिंग के दौरान आत्म-केन्द्रित होता है।

एसडीएस डालें - प्लस डालने उपकरण निकाले (चित्र D देखें)

- बंद होने वाली स्लीव्ह को (5) पीछे कर अंदर के उपकरण बाहर निकाले।

टूल बदलाव क्लिक रिलीज-बदलने वाला ड्रिल चक उपकरण लगाए (चित्र E देखें)

नोट: हथौड़ा ड्रिलिंग या छेनी के लिए एसडीएस प्लस के बिना उपकरणों का उपयोग न करें! हथौड़ा ड्रिलिंग या छेनी के दौरान एसडीएस प्लस के बिना उपकरण खराब हो सकते हैं।

- जलद-गती ड्रिल चक (1) यंत्र को शुरू करें।
- (1) जलद-गती ड्रिल चक के पीछे वाली स्लीव्ह (19) पकड़कर आगे वाली स्लीव्ह (18) हाथोंसे घड़ी कि दिशा में घुमाए जबतक आवाज न सुने। यंत्र को शुरू करें।
- जलद-गती ड्रिल चक के पीछे वाली स्लीव्ह (1) पकड़कर आगे वाली स्लीव्ह हाथोंसे घड़ी कि दिशा में घुमाए जबतक आवाज न सुने। ऐसा होने पर ड्रिल चक स्वतः लॉक हो जाता है।
- उपकरण पर खींच कर तय की सीट की जाँच करें।

नोट: यदि उपकरण धारक को बंद करने हेतु खोला गया है, तो टूल धारक बंद होने पर भी खुला रहा तो शोर सुना जा सकता है। इस मामले में, तीर की दिशा के विरुद्ध दिशा में एक बार सामने की आस्तीन को चालू करें। उपकरण धारक को तब बंद किया जा सकता है।

- „ड्रिलिंग“ स्थिति पर प्रभाव/घुमाव का बटन (10) घुमाए।

उपकरण निकाले (चित्र F देखें)

- जलद - गति ड्रिल चक के पीछे वाली (19) रैअर स्लीव्ह पकड़ें। जबतक उपकरण निकाले नहीं जाते तबतक उपकरण धारक आगे वाली स्लीव तैर के निशान कि दिशा में घुमाकर खोले।

धूल / चिप वैक्यूम निष्कर्षण

सामग्री की धूल जैसे युक्त लीड पेंट, कुछ लकड़ी की प्रजातियों, खनिज एवं धातु हानिकारक हो सकते हैं। धूल से युक्त पेंट लीड के रूप में सामग्री, कुछ लकड़ी प्रजातियों, खनिज और धातु हानिकारक होती हैं। हो सकता है इनके के साथ संपर्क या साँस लेने से उपयोगकर्ता या आसपास के व्यक्तियों को धूल की एलर्जी और सांस की बीमारियों का कारण हो सकता है। विशिष्ट धूल जैसे ओक या बीच की धूल के रूप में विशेष रूप से लकड़ी उपचार के लिए योजकों का संयोजन किए हुए कार्सिनोजन (क्रोमेट, परिरक्षक लकड़ी), वर्गीकृत किए गये हैं। एसबेस्टस युक्त सामग्री पर केवल विशेषज्ञों द्वारा काम किया जा सकता है।

- यदि संभव हो तो एक धूल निकासी प्रणाली उपयुक्त सामग्री के लिए का उपयोग करें।
- कार्यस्थल के लिए अच्छा वेंटीलेशन प्रदान करें।
- यह फिल्टर वर्ग P2 के साथ एक सुरक्षात्मक मास्क पहनने के लिए सिफारिश की गई है।

जिन सामग्रियों पर काम करना है, उनके संदर्भ में अपने देश में लागू प्रावधानों का ध्यान रखें।

► **कार्य स्थल पर धूल को जमा न होने दें।** धूल में आसानी से आग लग सकती है।

धूल निकलने की प्रणाली (सहायक उपकरण)

सक्शन डिवाइस लगाए (चित्र देखें G)

सक्शन पैड (सहायक उपकरण) धूल निकलने हेतु आवश्यक है। ड्रिलिंग करते समय सक्शन फिक्स का उपरी भाग पीछे आता है, इसलिए उसे हमेशा जमीन से नजदीक रखे।

- गहरा स्टॉपर का बटन दबाए (11) और उस बटन को निकाले। (13) बटन फिर से दबाकर (11) सक्शन आगे से अतिरिक्त हैंडल में (12) घुसाए।
- (20) सक्शन फिक्सर के खुले भाग में सक्शन होज (19) ब्यास, उपयुक्त सहसामग्री) का इस्तेमाल करें।

जिन संसाधनों के लिए उपयोग में लाना है, उन्हें सक्शन यंत्र माकूल हो।

कैसरजन्य, हानिकारक या सूखी धूल साफ करने हेतु विशेष सक्शन यंत्र / व्हैक्यूम क्लीनर का इस्तेमाल करें।

सक्शन पॉइंट पर ड्रिलिंग गहराई निश्चित करें (चित्र देखें H)

आप इच्छित ड्रिलिंग गहराई X निश्चित करने हेतु सक्शन फिक्स इस्तेमाल करें।

- एसडीएस-प्लस इन्सर्ट टूल को एसडीएस-प्लस टूल धारक में तब तक घुसाए उसके अंदर जितना जाए उतना घुसाए। (3) अन्यथा एसडीएस-प्लस टूल की गतिशीलता ड्रिलिंग गहराई की गलत सेटिंग का कारण बन सकती है।
- सक्शन फिक्सर के पाते वर बिठाए विंग स्कू (24) को ढीला करे।
- बिजली उपकरण को चालू किए बिना अच्छे से सही जगह बिठाए। एसडीएस-प्लस एप्लिकेशन उपकरण को सतह पर रखा जाना चाहिए।

- सक्शन कि गाइड ट्यूब(25) इस तरह से पकड़ी करे जिससे जिस सतह पर ड्रिल करना है, उस जगह सक्शन का ऊपरी हिस्सा आजाएगा। गाइड ट्यूब(25) को टेलिस्कोप (23) जैसी ट्यूब के अंदर ज्यादा मत घुसाए , इससे आपको उसपर किया मुद्रांकन स्केल(23) ज्यादा से ज्यादा स्पष्ट नजर आए।
- विंग पेंच (24) फिर से कस दे | सक्शन फिक्स के गहरे स्टॉपर के पास वाला क्लैम्पिंग स्क्रू(21) ढीला करें।
- टेलिस्कोप जैसी ट्यूब (23)का गहरा स्टॉपर (22)हिलाकर अपनी ड्रिलिंग की गहराई अनुसार X अंतर पर रखे जैसे चित्र में दिखाया है।
- इस स्थिति में क्लैम्पिंग पेंच(21) कस लें।

संचालन

कार्यान्वित करना

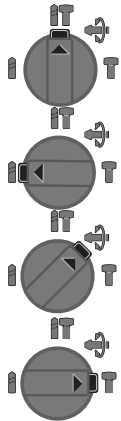
- ▶ **वोल्टेज नोट करें!** पावर का वोल्टेज पावर टूल के टाइप प्लेट पर दी गई जानकारी से मिलता जुलता होना चाहिए। 230 V के साथ चिह्नित बिजली उपकरण 220 V पर भी कनेक्ट कर सकते हैं।

ऑपरेटिंग मोड सेट करना

प्रभाव/घुमाव बंद करने के बटन(10) के साथ विद्युत् उपकरण के ऑपरेशन का मोड चुनिए।

- मोड बदलने हेतु अनलॉक बटन दबाकर (9) प्रभाव/घुमाव बंद करने के बटन (10) इच्छित स्थान पर लाए जबतक आवाज न सुने।

नोट: बिजली उपकरण बंद हो उसी वक्त केवल ऑपरेटिंग मोड बदलें! अन्यथा बिजली उपकरण खराब हो सकता है।



कंक्रीट या पत्थर में हैमर ड्रिलिंग की स्थिति

लकड़ी, धातु, सिरैमिक और प्लास्टिक में प्रभाव के बिना ड्रिलिंग और स्क्रू बिठाने के लिए स्थिति

छेनी की स्थिति को समायोजित करने के लिए Vario-Lock स्थिति। इस स्थिति में प्रभाव / घुमाव स्टॉप स्विच (10) लॉक नहीं होता है।

स्थिति छेनी के लिए

घुमाव की दिशा निश्चित करें (चित्र देखें !)

दिशा के लिए दिया डायरेक्शन स्विच (8) बिजली उपकरण के घुमाव की दिशा बदलने के हेतु उपयुक्त है। तथापि, चालू/बंद बटन बंद होने पर (7) यह संभव नहीं है।

▶ बिजली उपकरण स्थिर होने पर ही(8) दिशा बदले।

हमेशा हथौड़ा ड्रिलिंग, ड्रिलिंग और छेनी के लिए दाईं ओर घुमाव की दिशा निर्धारित करें।

- **दाए तरफ:** ड्रिल और स्क्रू करने के लिए, डायरेक्शन स्विच को बंद होने तक (8) बाईं ओर दबाएं।
- **बाए तरफ:** नट और स्क्रू निकालने के लिए, डायरेक्शन स्विच को (8) दाए ओर दबाएं।

चालू करना/बंद करना

- बिजली उपकरण **चालू करने के लिए**, चालू/बंद बटन(7) दबाएं |
- चालू/बंद करने का बटन(7) **लॉक करने हेतु** , उसी बटन को निचे दबाए और लॉक का बटन भी दबाए। (6)
- बिजली उपकरण **बंद करने के लिए** , पर / बंद बटन (7) इस्तेमाल करें। अगर चालू/बंद बटन लॉक है तो(7) पहले उसे दबाकर छोड़ दें।

सेटिंग गति / स्ट्रोक दर

आप जहां तक स्विच ऑन/स्विच ऑफ बटन (7) को दबाए रखते हैं, उससे आप लगाए गए पावर टूल की गति/स्ट्रोक दर को बिना स्टेप्स के नियंत्रित कर सकते हैं।

स्विच ऑन/स्विच ऑफ बटन (7) पर हल्के से दबाव का परिणाम कम गति/ स्ट्रोक दर होता है। बढ़ते दबाव के साथ, गति / स्ट्रोक दर बढ़ जाते हैं।

छेनी की स्थिति बदलना (Vario-Lock)

आप छेनी 13 को इन अवस्था में लॉक कर सकते हैं। यह आपको इष्टतम काम करने की स्थिति लेने के लिए अनुमति देता है |

- छेनी उपकरण धारक में डालें।
- „वारियो-लॉक“ स्थिति पर प्रभाव/घुमाव का बटन(10) घुमाए।
- घुमाया उपकरण इच्छित छेनी स्थिति में घुमाए |
- „छेनी“ स्थिति पर प्रभाव/घुमाव का बटन(10) घुमाए। उपकरण धारक इसके साथ ताला बंद हो चूका है |
- छेनी के लिए सही करने के लिए रोटेशन की दाए दिशा निर्धारित करें |

छेनी, समारोह ताला लगाने के साथ

लंबे समय छेनी करने हेतु चालू/बंद बटन (7) नहीं दबाना चाहें, तो चालू/बंद बटन „छेनी“ मोड में ताला लगाए रखें।

- ताला लगाने हेतु चालू/बंद बटन बंद होनेतक **दबाए रखे**, (7) और उसी समय लॉक बटन दबाए (6) |
- बंद करने के लिए, लॉक बटन (6) को फिर से दबाएं।

कार्य निर्देश

- ▶ **पावर टूल को केवल नट/पेंच से दूर रखें।** घूम रहे प्रविष्ट कराए जाने वाले यंत्रों में जंग लग सकती है।

ड्रिलिंग गहराई निश्चित करें (चित्र देखें J)

(13) ड्रिलिंग के लिए X गहराई निर्धारित करने के लिए गहराई स्टॉप का इस्तेमाल करें |

- गहराई स्टॉप का बटन (11) दबाएं और उसे अतिरिक्त हैंडल (12) में घुसाएं।
गहराई स्टॉप (13) पर फ्लूटिंग निचे कि तरफ दर्शाती हो।
- SDS plus इन्स्ट टूल को SDS plus टूल धारक में जितना अंदर जा सके उतना घुसाएं। (3) अन्यथा SDS plus टूल की गतिशीलता ड्रिलिंग गहराई की गलत सेटिंग का कारण बन सकती है।
- गहराई स्टॉप को तब तक बाहर खींचें जब तक ड्रिल की नोक और गहराई स्टॉप की नोक के बीच की दूरी वांछित ड्रिलिंग गहराई X जितनी हो।

ओवरलोड क्लक

- ▶ यदि उपकरण को क्लैप या हुक किया जाता है, तो ड्रिलिंग स्पिंडल पर को मिलने वाला ड्राइव खंडित होता है। बिजली उपकरण हमेशा दोनों हाथों में और कस के पकड़े क्योंकि उनमें ज्यादा मात्रा में ताकत होती है।
- ▶ बिजली उपकरण बंद करें और जब वह ब्लॉक हो जाए तब घुसाए उपकरण को छोड़ दें। ब्लॉक किए ड्रिलिंग उपकरण को चालू करते समय, उच्च टॉर्क प्रतिक्रिया होती है।

पेचकश बिट्स लगाए (चित्र K देखें)

- ▶ **पावर टूल को केवल नट/पेंच से दूर रखें।** घूम रहे प्रविष्ट कराए जाने वाले यंत्रों में जंग लग सकती है।

पेचकश बिट्स का उपयोग करने के लिए, आप (26) एसडीएस प्लस बट्टे शाफ्ट (जैसा अन्य कोई सामान) के साथ एक यूनिवर्सल धारक की जरूरत है।

- शाफ्ट के अंदर घुसाने वाले बाजु को साफ कर उसे तेल से ग्रीसिंग करें।
- यूनिवर्सल धारक को टूल धारक में घुमाकर जोड़े जबतक वह स्वयंचालित प्रणाली से बंद न हो जाए।
- यूनिवर्सल धारक को खींच कर ताला लगा है, यह जाँच लें।
- यूनिवर्सल धारक में एक स्क्रू कनेक्टर रखें। केवल ऐसे स्क्रूड्राइवर बिट इस्तेमाल करें जो स्क्रू के सिरे से मेल खाते हों।
- यूनिवर्सल धारक निकले के लिए, बंद होने स्वीच (5) पीछे धकेलकर यूनिवर्सल धारक को (26) उपकरण धारक से निकाल सकते हैं।

देखभाल एवं सर्विस

देखभाल एवं सफाई

- ▶ **पावर टूल पर कोई कार्य करते समय प्लग को सॉकेट से निकाल लें।**

- ▶ **अच्छी तरह काम करने के लिए और सुरक्षा के लिए, पावर टूल्स एवं बैटिलेनशन स्लॉट्स को साफ रखें।**

कनेक्शन केबल को बदलने की आवश्यकता पड़ने पर, सुरक्षा से सम्बंधित खतरों एवं जोखिमों से बचने के लिए इसे सिर्फ Bosch द्वारा या Bosch ग्राहक सेवा केंद्र द्वारा बदला जाना चाहिए या उनके द्वारा अधिकृत किया जाना चाहिए।

- ▶ **क्षतिग्रस्त धूल टोपी तुरंत बदले | यह ग्राहक सेवा के द्वारा किया जाए तो बेहतर है, ऐसी हम सिफारिश करते हैं।**

- प्रत्येक उपयोग के बाद उपकरण धारक (3) को साफ करें।

ग्राहक सेवा एवं उपयोग सलाह

ग्राहक सेवा आपके उनके उत्पादनों तथा देखभाल के विषय में आपके सवालों का जवाब देगी। स्पेयर पार्ट्स के बारे में अधिक जानकारी और विस्तृत (एक्सप्लोडेड) दृश्य यहाँ भी मिल सकते हैं: www.bosch-pt.com

Bosch की एप्लीकेशन परामर्श टीम हमारे उत्पादों और उनके सहायक उपकरणों के संदर्भ में आपके सभी प्रश्नों में आपकी सहायता करेगी।

पत्राचार के दौरान तथा स्पेयर पुर्जों का ऑर्डर देते समय, उत्पाद के लेबल पर दर्ज 10 अंको वाली आर्टिकल संख्या अवश्य प्रदान करें।

भारत

Bosch सर्विस सेंटर

69, हबीबुल्लाह रोड, (पीएसबीवी स्कूल के आगे), टी. नगर चेन्नई - 600077

फ़ोन: (044) 64561816

Bosch सर्विस सेंटर

18, कम्युनिटी

सेंटरफेस 1, मायापुरी

नई दिल्ली - 110064

फ़ोन: (011) 43166190

Bosch सर्विस सेंटर

शाँप नंबर 7 और 8, एस्पेन गार्डन

वालभट रोड, गोरगांव (ई)

राम मंदिर रेलवे स्टेशन के पास

मुंबई - 400063

मोबाइल: 09819952950

सर्विस से जुड़े अन्य पते यहाँ उपलब्ध हैं:

www.bosch-pt.com/serviceaddresses

निपटान

पावर टूल्स, सहायक उपकरणों और पैकेजिंग का पुनर्चक्रण पर्यावरण के अनुकूल किया जाना चाहिए।



बिजली उपकरणों का निपटान घरेलू कचरे में न करें!

