

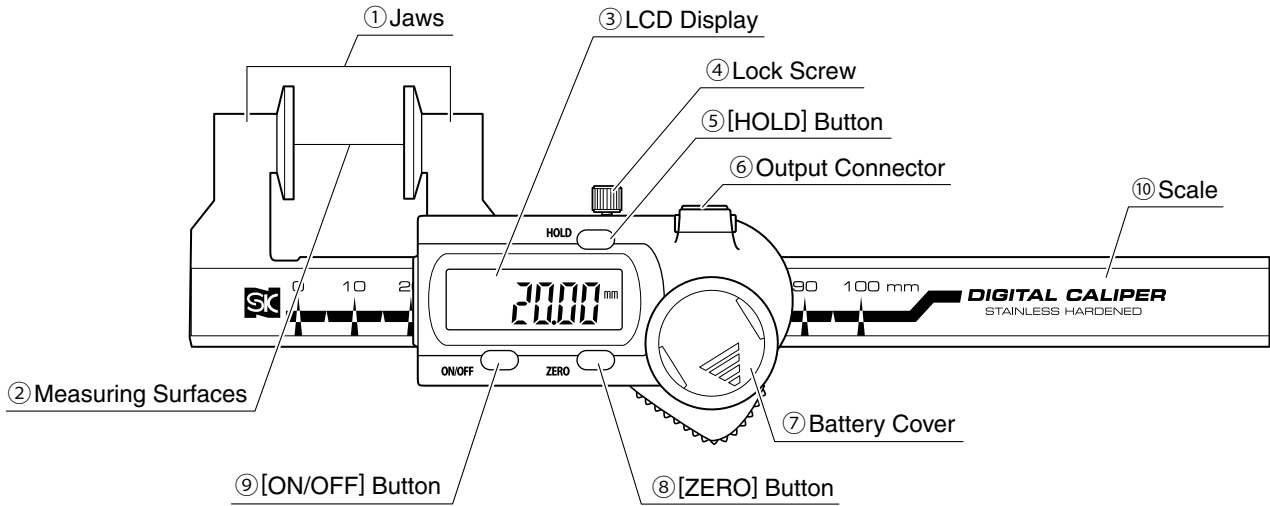
# WIRE ROPE CALIPERS

Thank you for purchasing Niigata Seiki Wire Rope Calipers.

This product is designed for precise and repeatable measurement of wire rope.

- For safe and proper use, please read this instruction manual before use and follow the procedures described.  
Please keep manual where it is accessible to user for future reference.
- Keep this manual with the instrument if transferred or leased to a third party.
- For inquiries about this product, please contact dealer or Niigata Seiki at the address listed on the following page.

## ■ PART IDENTIFICATION AND FUNCTION



- ① Jaws ..... For positioning outside of Wire Rope for measurement.
- ② Measuring Surfaces ..... Surfaces for measuring Outside Diameter of Wire Rope.
- ③ LCD Display ..... Displays digital measurement.
- ④ Lock Screw ..... Tighten to prevent the slide and display from moving.
- ⑤ [HOLD] Button ..... When pressed, "HOLD" Icon appears on Display and measurement will be fixed.
- ⑥ Output Connector ..... Connect to optional BluetoothBOX to send measurements to PC.
- ⑦ Battery Cover ..... Open to access battery.
- ⑧ [ZERO] Button ..... When pressed, Display will read "0.00".
- ⑨ [ON/OFF] Button ..... For turning power ON / OFF.
- ⑩ Scale ..... Supports LCD Display Unit.

## SAFETY PRECAUTIONS

Please Observe

To prevent harm to yourself or others, and to prevent damage to property, always follow the procedures marked by the following symbols.



Denotes a prohibition -  
**You MUST NOT do**



Denotes a requirement -  
**You MUST do**



### WARNING

Indicates risk of personal injury or property damage if not followed.



#### Read the manual and follow the directions.

- Use of product other than as described in this manual may cause accident.



#### Use only for measuring.

- Use for any purpose other than measuring may damage or wear the instrument. Improper use may also cause accident.



#### Handle with Care.

- Do not drop or subject instrument to excessive shock. Do not place under heavy objects. Improper handling may cause damage or poor accuracy.
- Do not scratch instrument, for example by writing ID number.



#### Avoid using in high electric fields, such as near fluorescent lights or switching power supplies.

- Incorrect value may be displayed on LCD.



#### Use and store only in environment meeting the following conditions:

- Dry location protected from rain, water, and oils.
- Location that is not excessively hot.
- Location protected from use by children and unauthorized people.

- Use in places contrary to the above may cause damage to the product resulting in accident or injury.



#### Do not disassemble or modify.

- Disassembly may damage product or cause accident. For repair, please contact distributor or place of purchase.



#### Do not write on instrument with electric engraver.

- Do not engrave instrument body or jaws, such as an ID number with engraver or electric pen.

# PREPARATION FOR USE

Before using the calipers, please follow the steps below:

- **Wipe off rust proofing and dirt from measuring surfaces and slide.**  
Contamination of surfaces may cause measurement error.
- **Allow the calipers and object to be measured time to reach the same temperature.**  
A temperature difference between the object to be measured and the caliper may cause measurement error. Allow enough time for the temperatures to equilibrate.

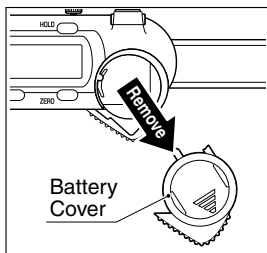
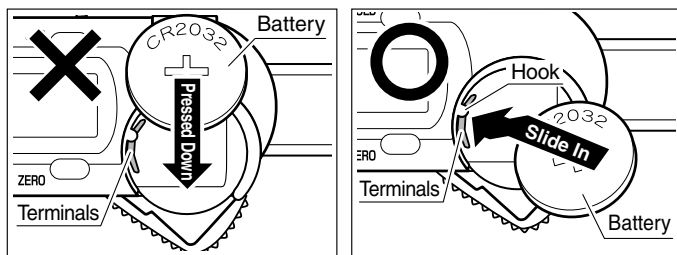
# INSERTING • REPLACING BATTERY

- ① Slide cover in direction of arrow.
- ② Insert battery with (+) side outward.
- ③ Replace battery cover.

**Notice** Use only CR2032 type battery.

- **Use care to avoid damaging terminals when inserting battery.**

- Terminals may be broken if battery is pressed straight down.
- Insert battery at angle, underneath the small hook, as shown.



# TROUBLESHOOTING

- Q. Nothing is displayed on LCD.**  
A. The battery may be running low, please replace battery with a new one.
- Q. With power on, the number on the LCD does not change as Display Unit is moved.**  
A. Please reset by removing battery for about 30sec., and then replacing.
- Q. Nothing happens when buttons are pressed.**  
A. Make sure battery is properly inserted.
- Q. The characters "MIN", "MAX", or "△" are displayed on LCD.**  
A. Cycle power, or apply several long presses to [HOLD] Button. Use as normal once character is off.
- Q. The correct value is not displayed.**  
A. High humidity may cause dampness. Please dry off the instrument and use only in dry location.

# AFTER USE CARE • STORAGE

- **After use, wipe off any dirt or oil from measuring surfaces, sliding surfaces, and exterior using a dry cloth and perform rust prevention treatment.**  
For rust prevention, lightly apply anti-rust oil, or place in rust preventive bag.
- **Store with Lock Screw loosened.**  
If stored with Lock Screw tight, expansion due to temperature changes may cause excessive force which will cause inaccuracy.
- **Store in a cool, dry, and dark location in the provided case.**  
Keep out of direct sunlight and moisture, and please keep secure from unauthorized personnel.
- **Remove battery if Caliper will not be used for a long period of time.**

# HOW TO USE

## Power ON/OFF

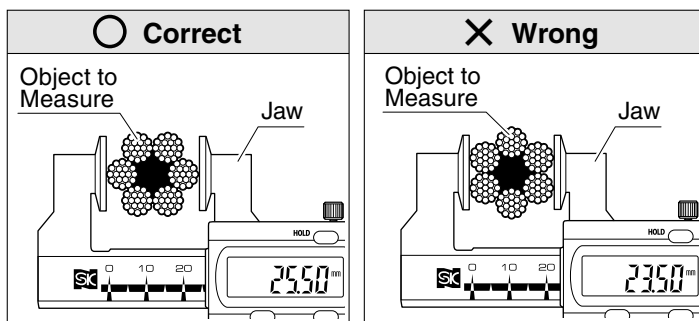
- ① To turn on, press the [ON/OFF] Button.
- ② To turn off, press the [ON/OFF] Button.
- ③ With power on, press the [HOLD] Button to fix the value on the display.

## Absolute Measurement Mode

- ① Loosen the lock screw, and turn on power.
- ② With jaws closed, press the [ZERO] Button.
- ③ When "0.00mm" is displayed on LCD, Calipers is ready to start measurement.

## Comparisons Measure Mode

- ① Loosen the lock screw, and turn on power.
- ② With jaws open to desired reference position (any point is OK,) press [ZERO] Button.
- ③ When "0.00mm" is displayed on LCD, Calipers is ready to start measurement.



# SERVICE

- If Instrument is not working properly, or if you have any questions, please contact distributor or place of purchase.
- Please note, manufacturer is unable to respond to inquires or provide service directly. Please contact distributor or place of purchase.

# PRODUCT SPECIFICATIONS

- Measuring Range : 0 - 100mm  
※For measuring rope of maximum diameter of 38mm.
- Resolution : 0.01mm
- Accuracy \* : ±0.05mm ※Not including quantization error (±1 count)
- Display : 5 Digit LCD
- Auto Off : approx. 20 min.
- Maximum response speed : Slide to Right ..... 1.5 m/s  
Slide to Left ..... 0.75 m/s  
※Left/Right as shown in diagram at top of manual.
- Operating Temperature Range : 0°C ~ 40°C
- Storage Temperature Range : -10°C ~ 60°C
- Power : (1x) CR2032 Lithium Battery
- Battery Life : approx. 2.5 years in normal use
- Weight : 170g
- Accessory : CR2032 Lithium Battery (for test)

**SK Niigata seiki Co., Ltd.**

6-15-22, Tsukanome, Sanjo, Niigata, Japan, 955-0055  
Tel. : +81-256-31-5670 Fax. : +81-256-39-7730  
MAIL: intl.sales@niigataseiki.co.jp  
URL http://www.niigataseiki.co.jp