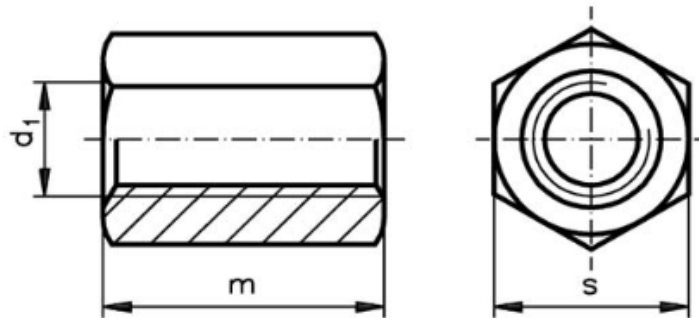


Hexagon coupling nuts



- Hex coupling nuts are great to have around for use in wood and wet environments.
- Easy use: Hex couplers are used to connect two pieces of threaded material. Hex and heavy hex couplers are threaded right hand. Used to connect both metal and wood components.
- Our hexagon nuts are very strong and are great for both indoor and outdoor use.
- **Thread type:** Right hand.
- **Material:**
 - + **WZ:** Carbon steel (Zinc plated alloy),
 - + **304:** 304 Stainless steel
 - + **201:** 201 Stainless steel.

HCN-Material-d1xP



Ex model: **HCN-WZ-M5x0.8/HCN-201-M5x0.8/ HCN-304-M5x0.8**

| d1 | m | s | P |
|------------|-------|-------|---------|
| M5 | 15 mm | 8 mm | 0.8 mm |
| M6 | 18 mm | 10 mm | 1 mm |
| M8 | 24 mm | 13 mm | 1.25 mm |
| M10 | 30 mm | 17 mm | 1.5 mm |
| M12 | 36 mm | 19 mm | 1.75 mm |
| M14 | 42 mm | 22 mm | 2 mm |
| M16 | 48 mm | 24 mm | 2 mm |
| M20 | 60 mm | 30 mm | 2.5 mm |