

# HS5B/HS5E Series Padlock Hasp

## Padlock hasps prevent unauthorized insertion of actuators.

- Ideal to prevent machines from operating when two or more operators are inside the danger zone.
- Accommodates up to four padlocks when the hasp is installed on the safety switch.
- By providing each operator with a padlock to install on the hasp before entering the danger zone, the machine can not restart until all operators have left the zone and removed their padlocks (use a hasp for five or more operators).

Note: Use of padlocks to ensure safety requires strict observance of opening rules. Safety cannot be ensured if the rules are neglected, such as failing to install the padlocks.



## Types

Description	Type No.
HS5B/HS5E Padlock Hasp	HS9Z-PH5

Note: The HS5B/HS5E safety switches are ordered separately.

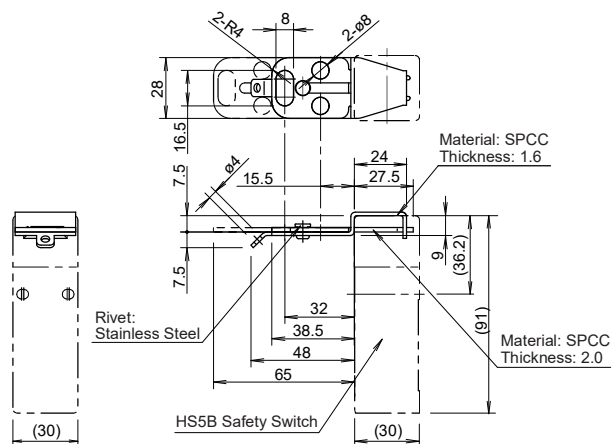
## Specifications

Applicable Type	HS5B/HS5E Safety Switches
Shackle Diameter of Applicable Padlock	ø5.5 to 7.5 mm
Withstand Force	30N or more
Weight (approx)	35g

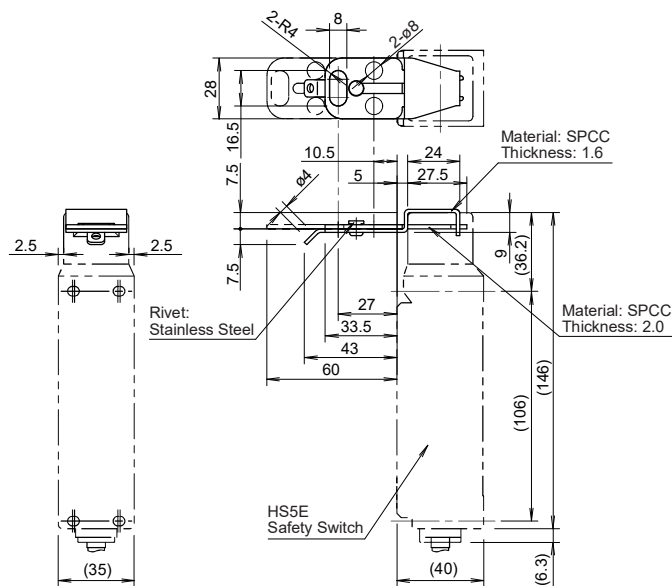
Note: Refer to the specifications of HS5B/HS5E safety switches.

## Dimensions

### • When used with the HS5B safety switch



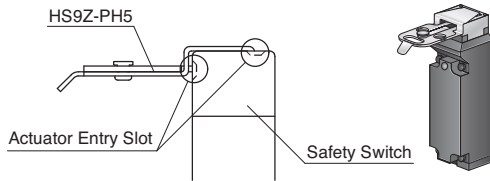
### • When using with the HS5E safety switch



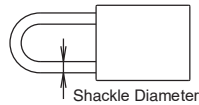
All dimensions in mm.

## Precautions for Installation

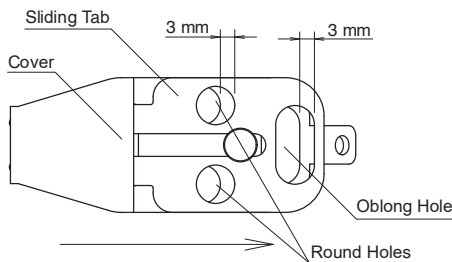
- When using the HS9Z-PH5 for safety-related equipment in a control system, refer to the safety standards and regulations in each country to make sure of correct operation. Also, perform a risk assessment to ensure safety before starting operation.
- Read the instruction sheet of the safety switch to be used.
- Note the projections on the HS9Z-PH5 when using to prevent injury.
- Insert the HS9Z-PH5 in the direction as shown in the following figure. Do not insert from any other direction. Also, do not use the slot plug supplied with the safety switch.



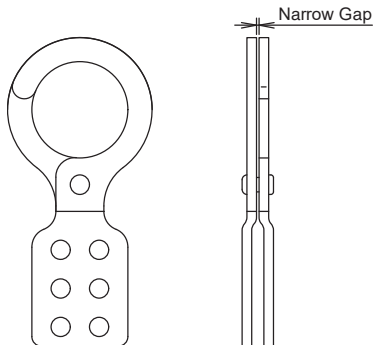
- Do not deform the HS9Z-PH5. The HS9Z-PH5 may come off from the safety switch even if a padlock is installed. Stop using immediately if the HS9Z-PH5 becomes deformed.
- The shackle diameter of the applicable padlock (refer to the following figure) is  $\varnothing 5.5$  to 7.5 mm.



- When using a hasp or special padlock, make sure that the sliding tab does not slide 3 mm or more in the direction shown below, otherwise the HS9Z-PH5 may come off the safety switch.



- When using a hasp such as shown below, make sure that the hasp is installed in round holes not in the oblong hole. Otherwise the sliding tab may slide 3 mm or more. Check periodically that the narrow gap between the jaws is not widened, so that the HS9Z-PH5 does not fall off from the hasp.



- Keep the weight of padlocks and hasps to a maximum of 1500g on one tab hole, and at a maximum of 3000g for the total of all tab holes. Using padlocks and hasps weighing over the maximum allowable weight may cause deformation of the HS9Z-PH5, and the safety switch may be damaged.
- Do not apply excessive shock to the HS9Z-PH5 while installing it on the safety switch, otherwise failure or damage may be caused.
- Do not apply excessive vibration while padlocks or hasps are installed, otherwise failure or damage may be caused.
- The HS9Z-PH5 is used for HS5B/HS5E safety switches. Do not use the HS9Z-PH5 for any other products.
- Make sure that locking and unlocking the padlock and hasp do not interfere with other products in close proximity.
- Do not modify or disassemble the HS9Z-PH5.
- Padlocks and hasps are available from the following manufacturers.  
Panduit Corporation (<http://www.panduit.com/>)  
Master Lock Company (<http://www.masterlock.com/>)