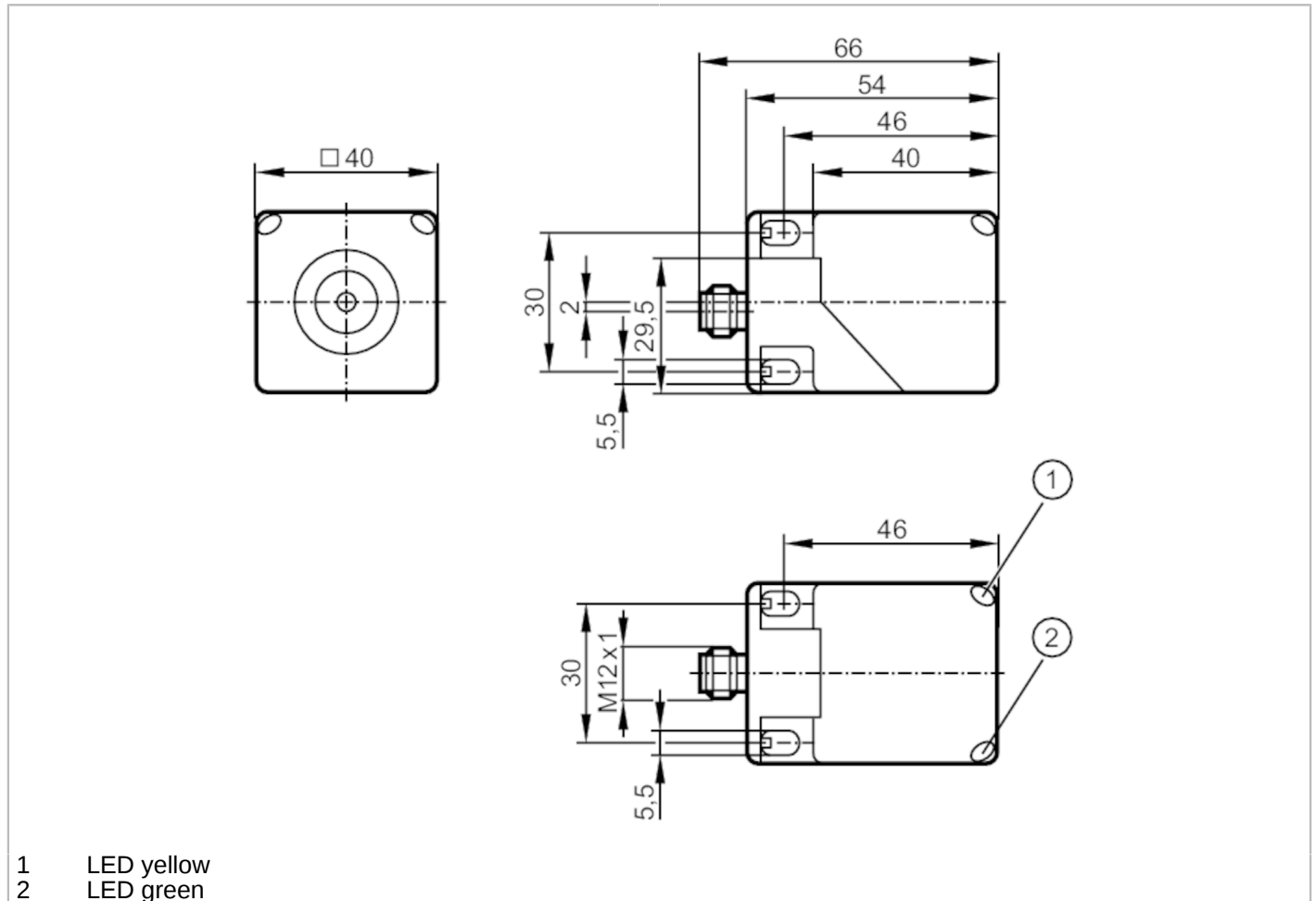


IM5135



Inductive sensor

IMC4040-CPKG/K1/US-100-DPA



Product characteristics	
Electrical design	PNP
Output function	complementary
Sensing range [mm]	40
Housing	rectangular
Dimensions [mm]	40 x 40 x 54
Application	
Special feature	Correction factor K = 1; Magnetic-field immune
Magnetic-field immune	yes
Electrical data	
Operating voltage [V]	10...36 DC
Current consumption [mA]	< 20
Protection class	II
Reverse polarity protection	yes

IM5135



Inductive sensor

IMC4040-CPKG/K1/US-100-DPA

Outputs		
Electrical design		PNP
Output function		complementary
Max. voltage drop switching output DC	[V]	2.5
Max. leakage current	[mA]	0.1
Permanent current rating of switching output DC	[mA]	200
Switching frequency DC	[Hz]	200
Short-circuit protection		yes
Type of short-circuit protection		pulsed
Overload protection		yes
Detection zone		
Sensing range	[mm]	40
Real sensing range Sr	[mm]	40 ± 10 %
Operating distance	[mm]	0...32.4
Accuracy / deviations		
Correction factor		steel: 1 / stainless steel: 1 / brass: 1 / aluminium: 1 / copper: 1
Hysteresis	[% of Sr]	1...20
Switch point drift	[% of Sr]	-10...10
Correction factor K = 1		yes
Operating conditions		
Ambient temperature	[°C]	-25...70
Protection		IP 67; IP 69K
Tests / approvals		
EMC	EN 61000-4-2 ESD	8 kV CD / 6 kV AD
	EN 61000-4-3 HF radiated	10 V/m
	EN 61000-4-4 Burst	2 kV
	EN 61000-4-5 Surge	0,5 kV line to line, Ri: 2 Ohm
	EN 61000-4-6 HF conducted	10 V
	EN 55011	class B
MTTF	[years]	972
UL approval	Ta	-25...70 °C
	Enclosure type	Type 1
	voltage supply	Class 2
	File number UL	E174191
Mechanical data		
Weight	[g]	134
Housing		rectangular
Sensing face		5 positions selectable
Mounting		non-flush mountable
Dimensions	[mm]	40 x 40 x 54
Materials		housing: PA

IM5135



Inductive sensor

IMC4040-CPKG/K1/US-100-DPA

Displays / operating elements

Display	switching status	1 x LED, yellow
	operation	1 x LED, green

Remarks

Pack quantity	1 pcs.
---------------	--------

Electrical connection - plug

Connector: 1 x M12; Moulded body: stainless steel; Locking: locking, rotatable



Connection

