



JYB-714 Floatless Relay

1. General

JYB-714 Series Floatless Relay is used in liquid level automatic control circuit @ AC 50Hz/60Hz, up to 380V rated supply voltage for liquid level automatic control at places of civil water tower, high cistern, and underground conservation pool etc.

2. Type designation

JYB - 714 □

Design sequence No.: Nil: Basic type
Type B: with reacting indicator;
Type C: with "water supply"; "drainage" reacting indicator

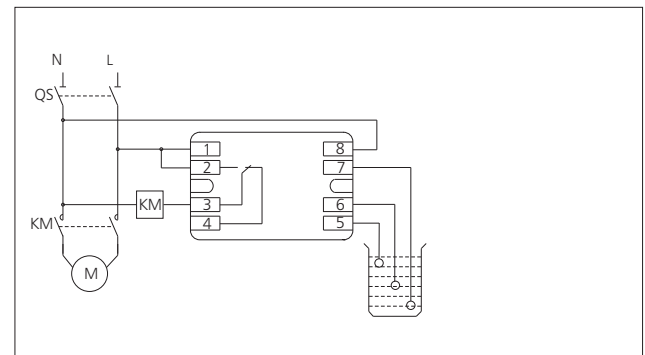
Floatless Relay

3. Technical data

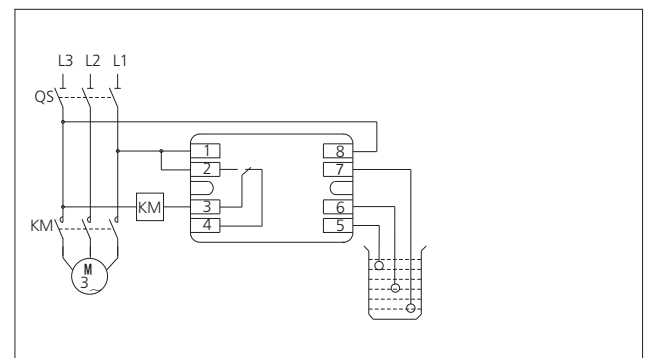
| Type | JYB-714 | JYB-714B | JYB-714C |
|-------------------------------|--|----------|----------|
| Operating mode | Continuous working | | |
| Contact number | One group of changeover contact | | |
| Contact capacity | Ue/Ie: AC-15 220V/1.5A; Ith:5A | | |
| Operating voltage | AC 50Hz/60Hz 36V, 110V, 220V, 380V (other voltage can be custom made) | | |
| Control electrode max current | 50 μ A | | |
| Conductor length | Max 1km | | |
| Ambient temperature | -5°C ~ +40°C | | |
| Power consumption | <3VA | | |
| Installation mode | Device type or guide rail type | | |

4. Wiring diagram

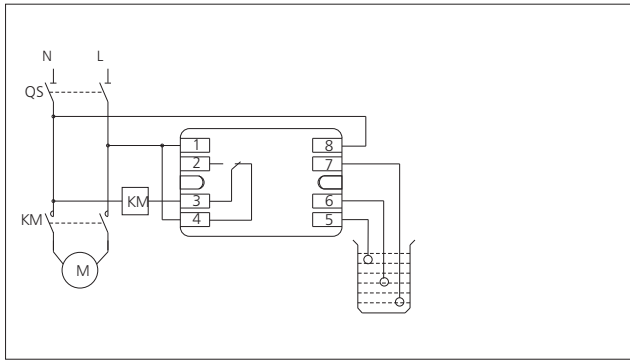
Wiring diagram for JYB-714, JYB-714B, JYB-714C
220V water supply mode



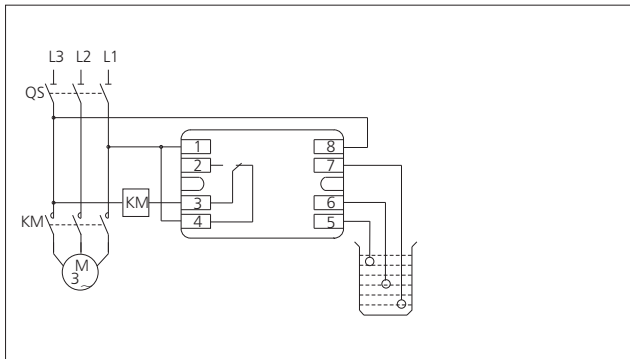
Wiring diagram for JYB-714, JYB-714B, JYB-714C
380V water supply mode



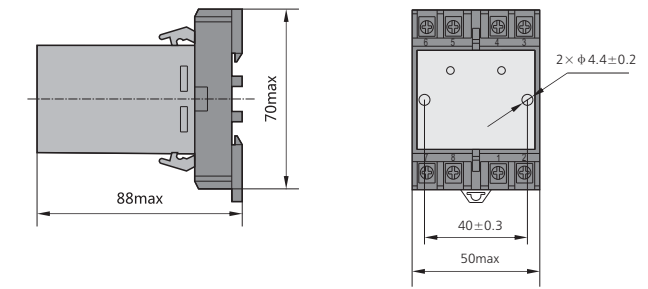
Wiring diagram for JYB-714, JYB-714B, JYB-714C
220V water drainage mode



Wiring diagram for JYB-714, JYB-714B, JYB-714C
380V water drainage mode

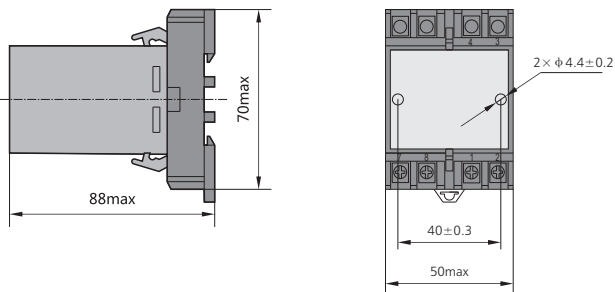


JYB-714C profile and installation dimensions



5. Overall and mounting dimensions (mm)

JYB-714 profile and installation dimensions



JYB-714B profile and installation dimensions

