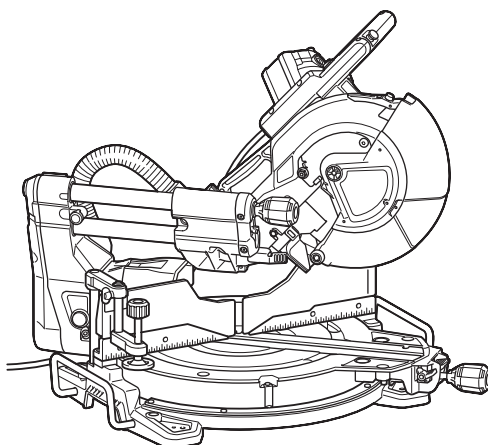




EN	Slide Compound Miter Saw	INSTRUCTION MANUAL	15
ZHCN	斜断锯 (滑动复合式)	使用说明书	31
ID	Gergaji Adu Manis Kombinasi Geser	PETUNJUK PENGGUNAAN	48
VI	Máy cưa đa góc	TÀI LIỆU HƯỚNG DẪN	67
TH	เครื่องเลื่อยของศัพสมแบบสไลด์	คู่มือการใช้งาน	84

LS1019
LS1019L



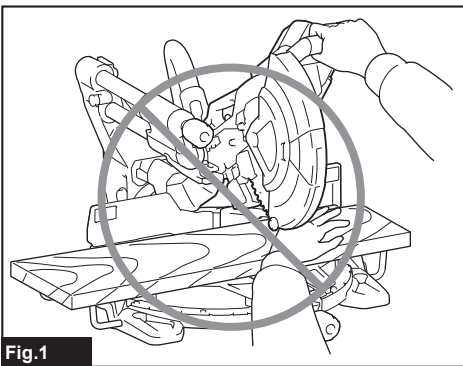


Fig.1

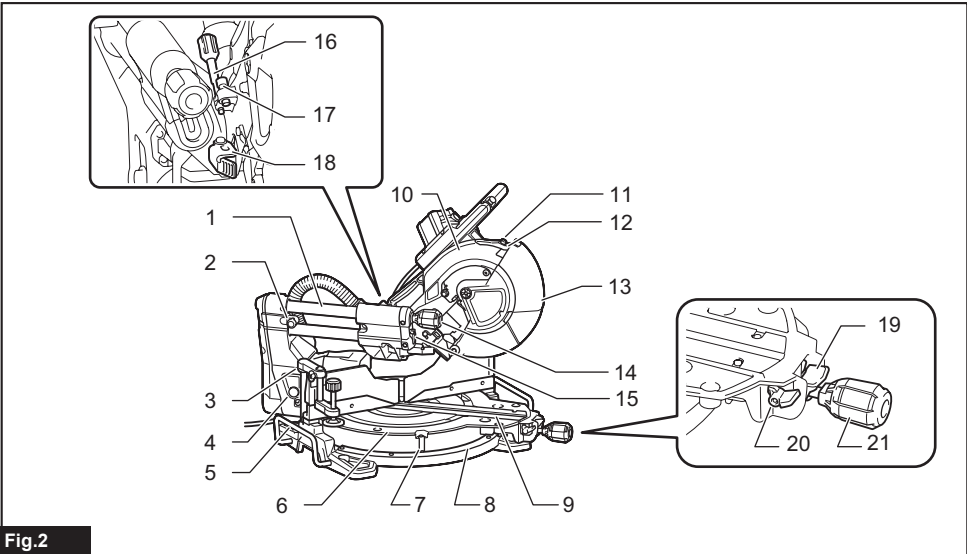


Fig.2

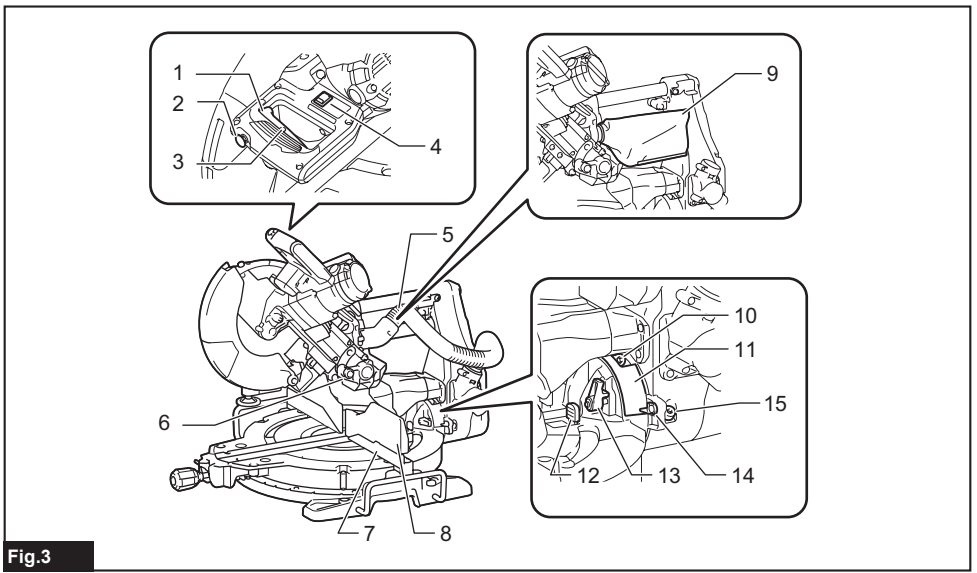


Fig.3

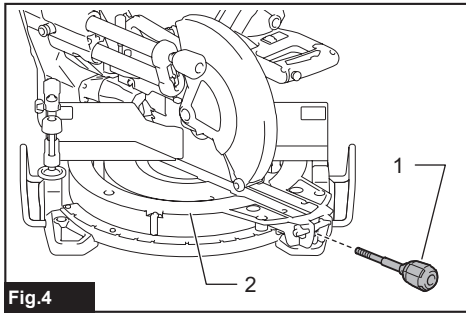


Fig.4

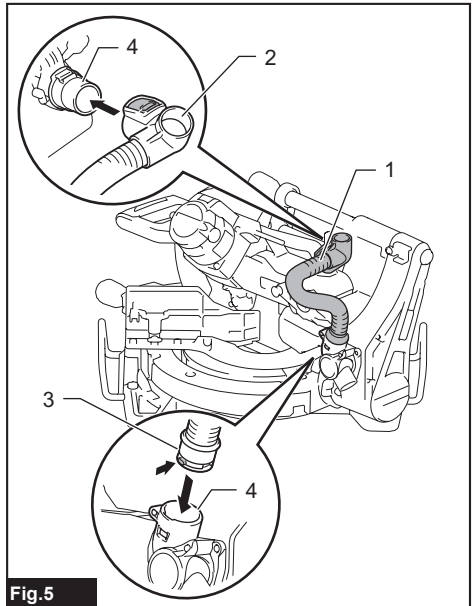


Fig.5

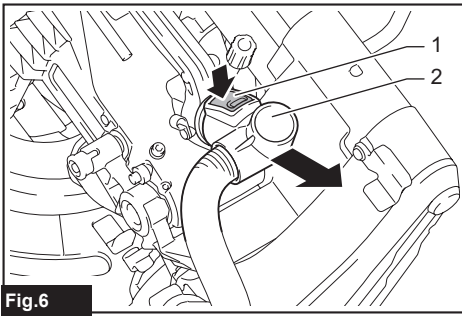


Fig.6

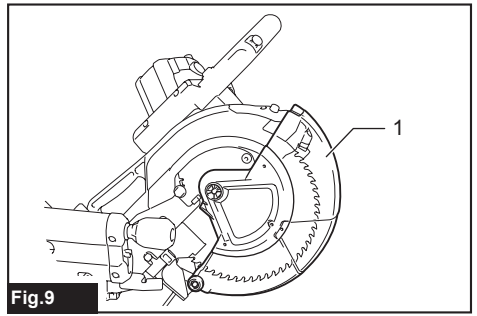


Fig.9

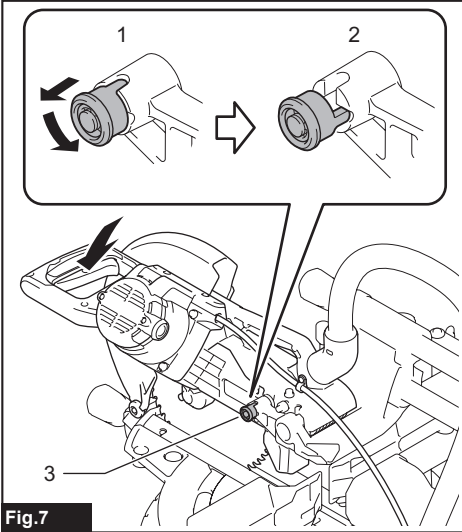


Fig.7

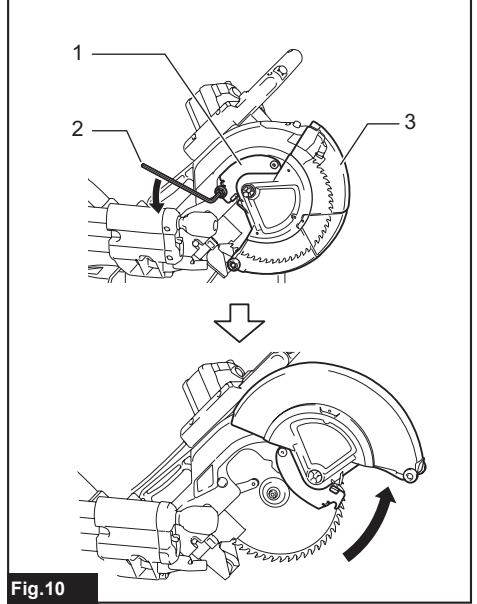


Fig.10

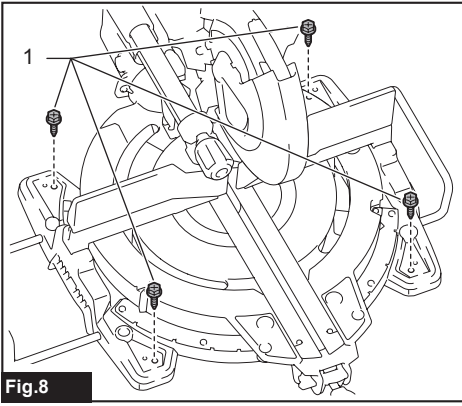


Fig.8

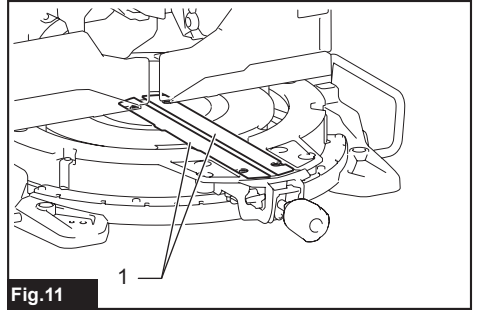


Fig.11

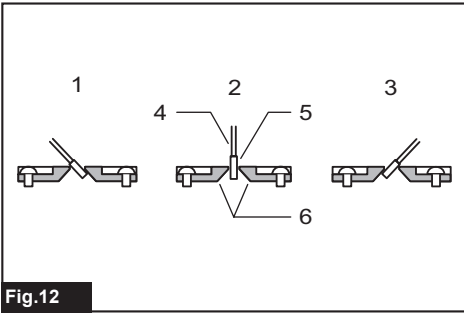


Fig.12

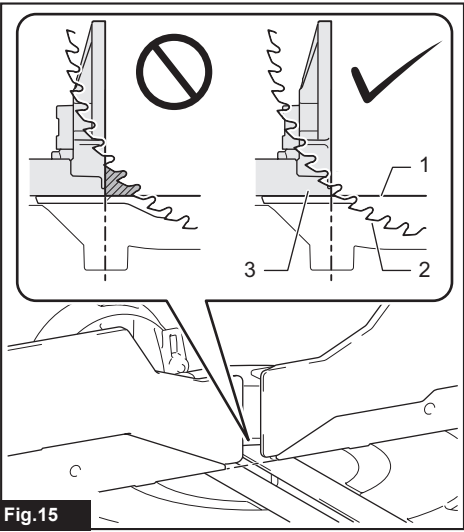


Fig.15

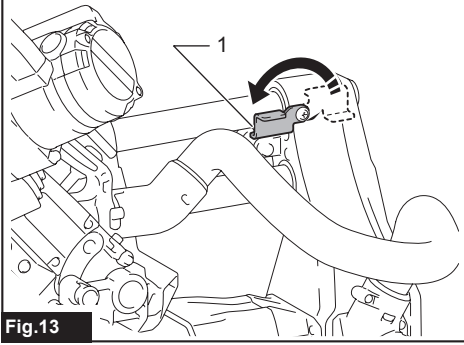


Fig.13

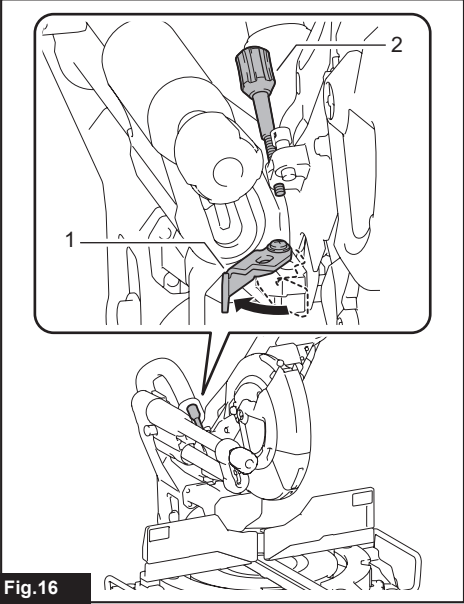


Fig.16

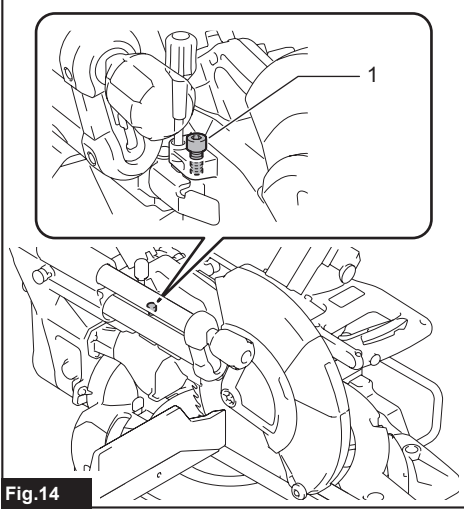


Fig.14

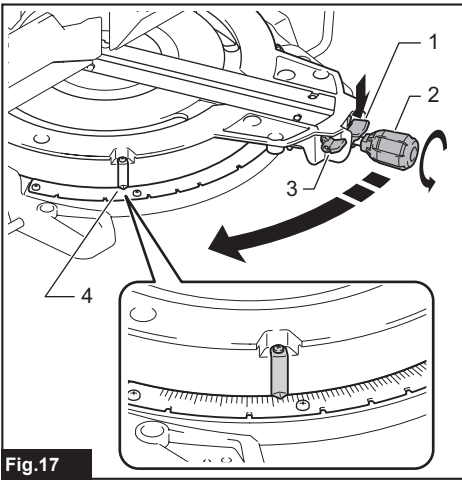


Fig.17

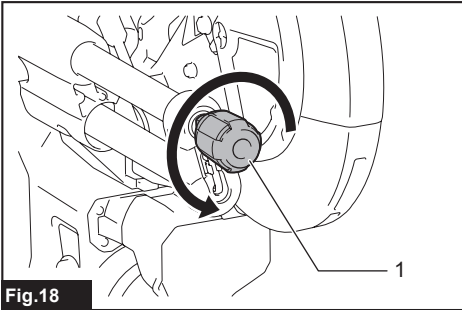


Fig.18

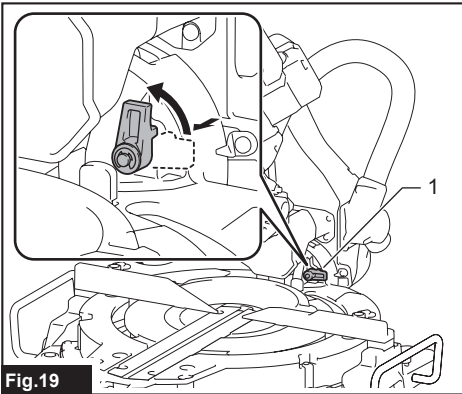


Fig.19

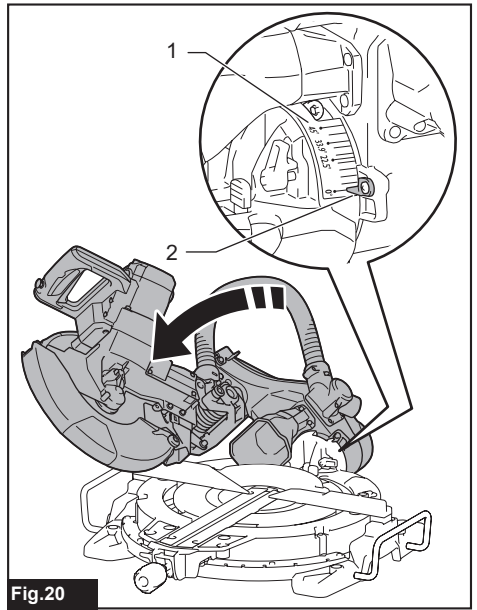


Fig.20

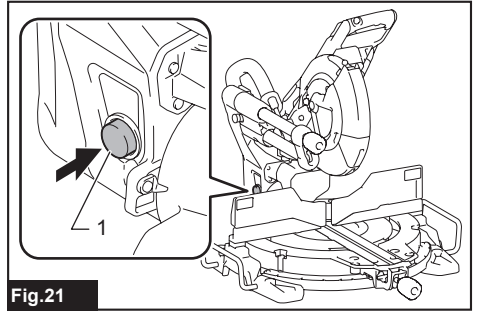


Fig.21

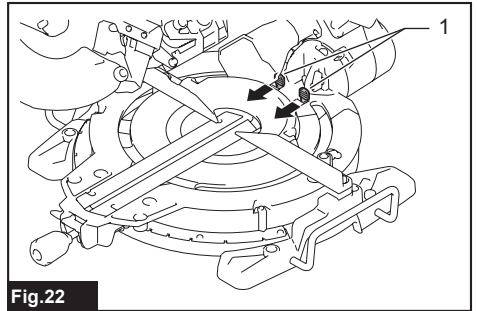


Fig.22

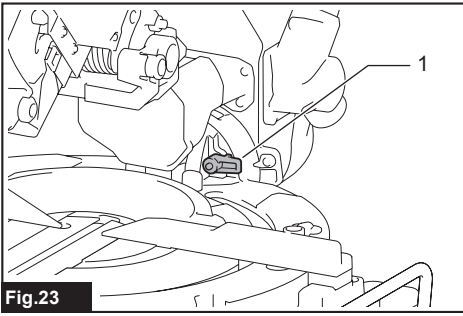


Fig.23

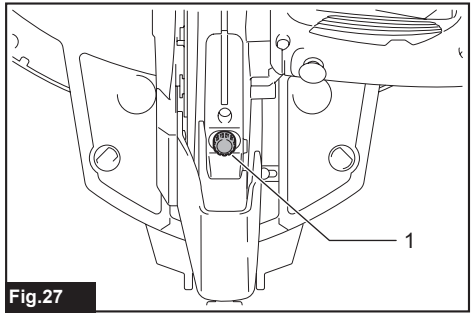


Fig.27

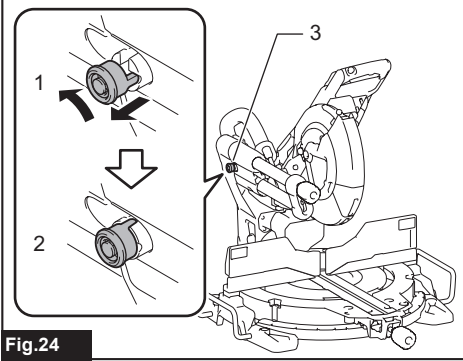


Fig.24

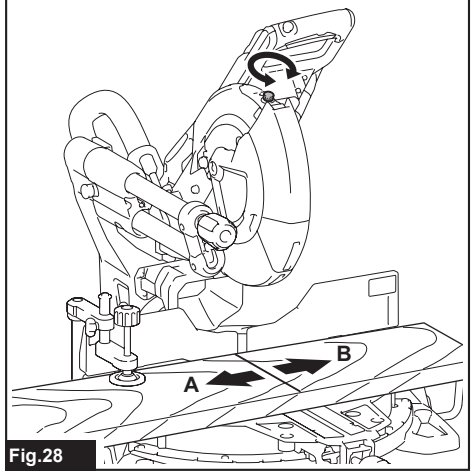


Fig.28

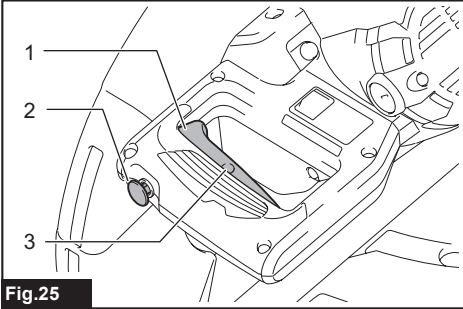


Fig.25

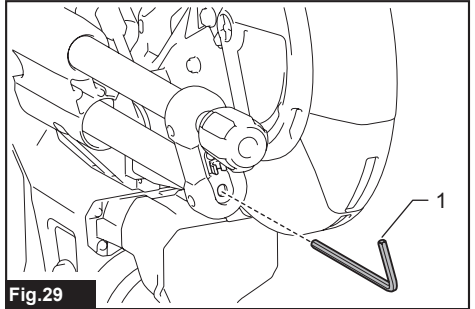


Fig.29

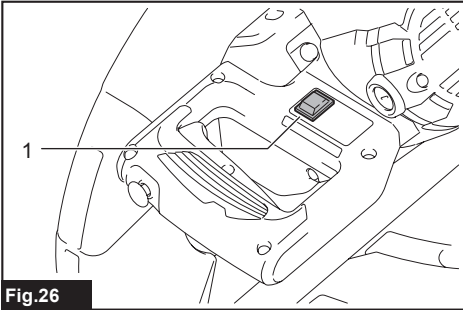
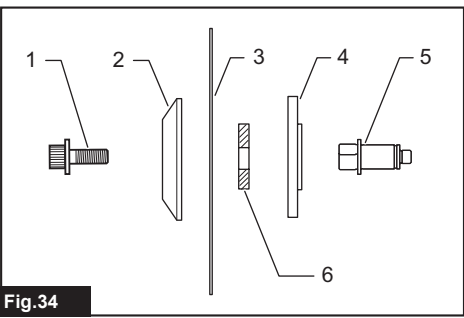
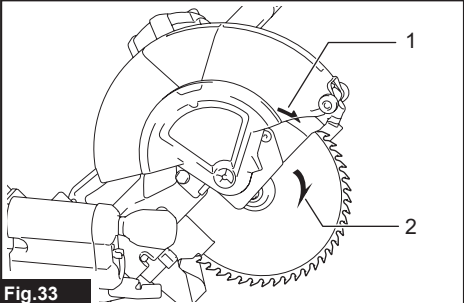
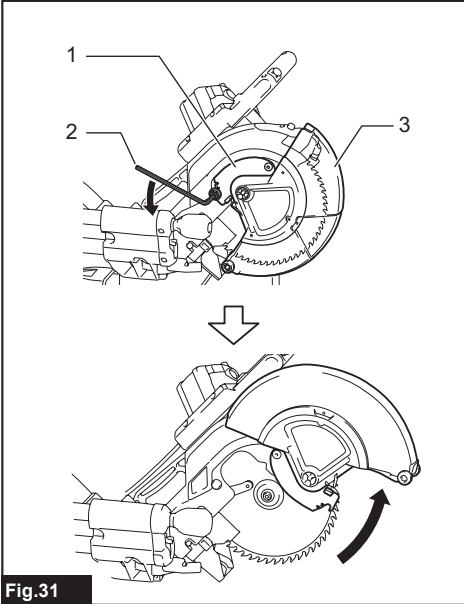
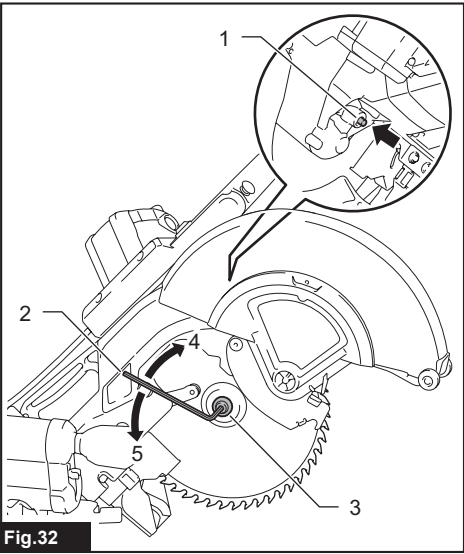
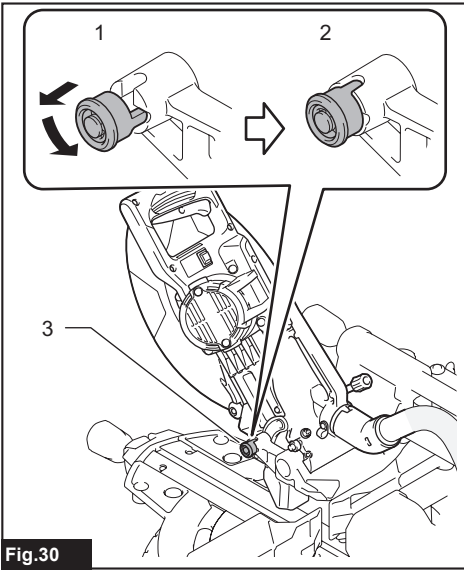
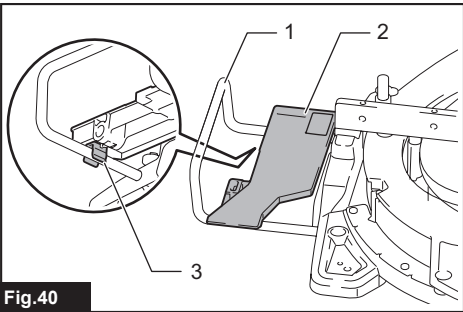
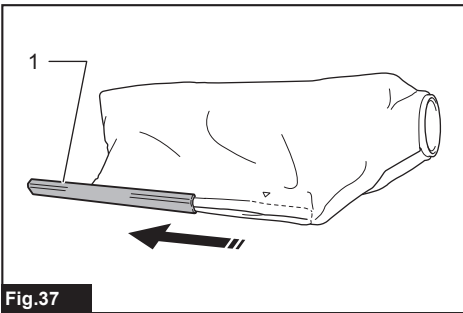
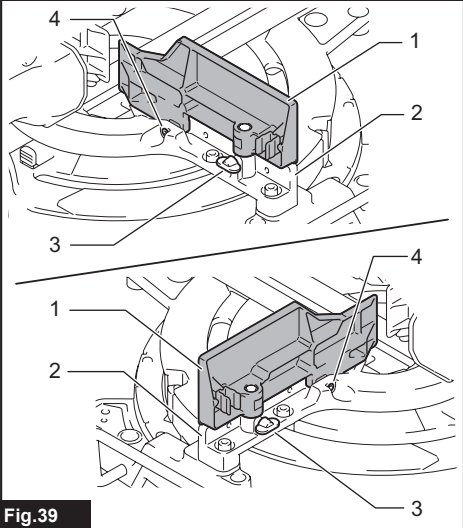
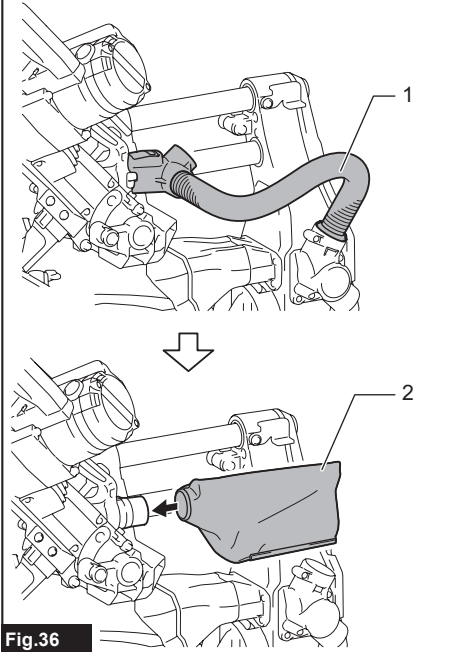
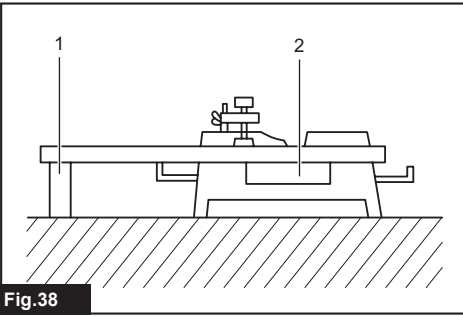
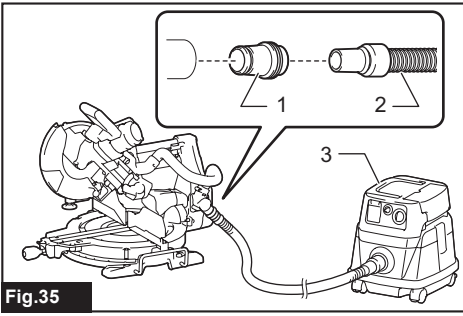
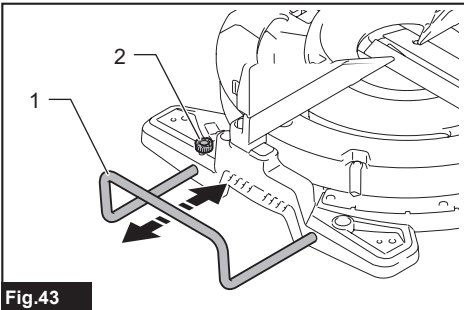
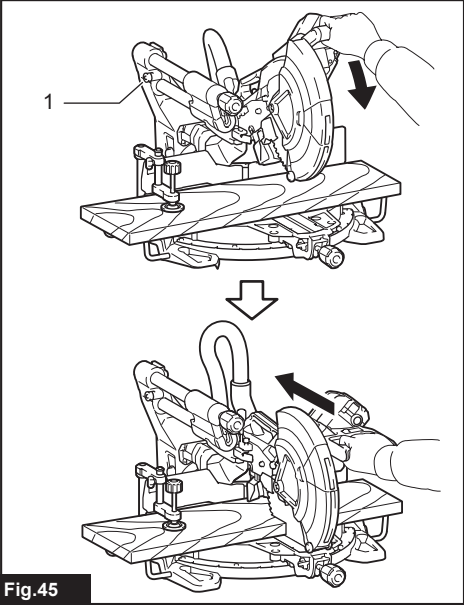
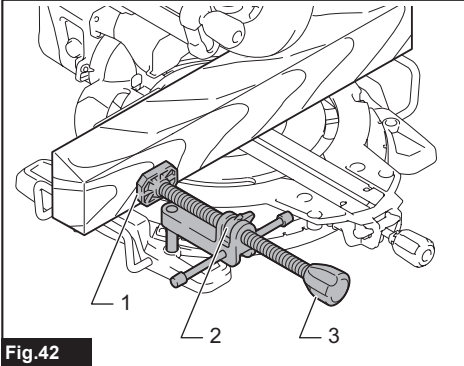
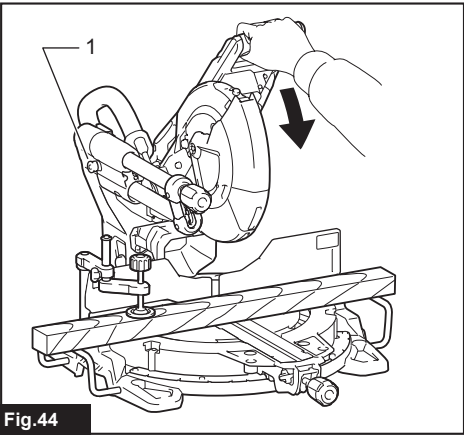
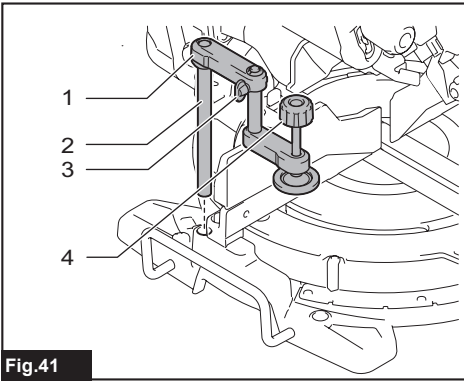


Fig.26







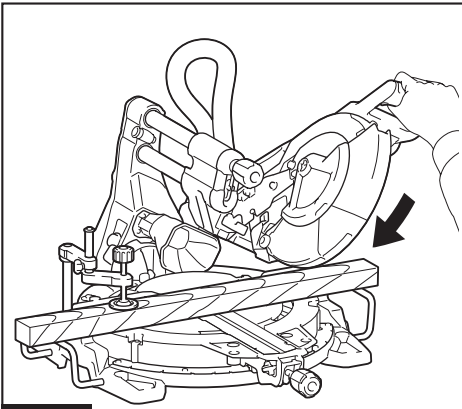


Fig.46

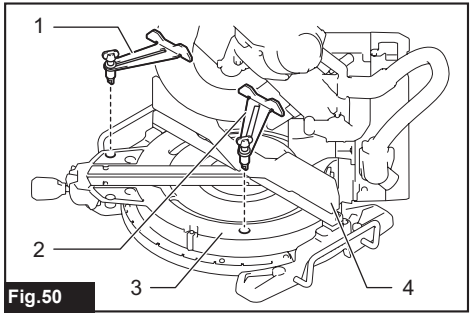


Fig.50

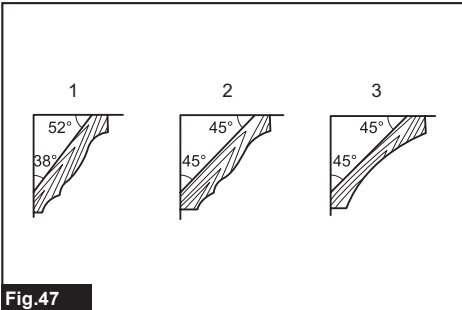


Fig.47

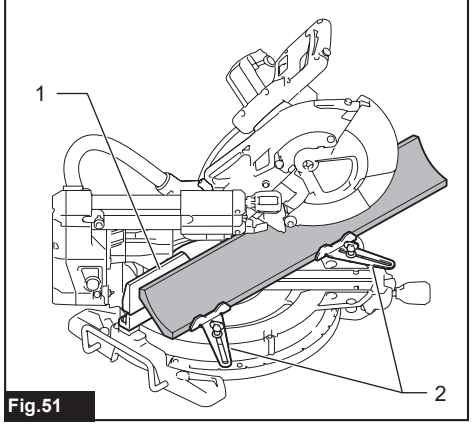


Fig.51

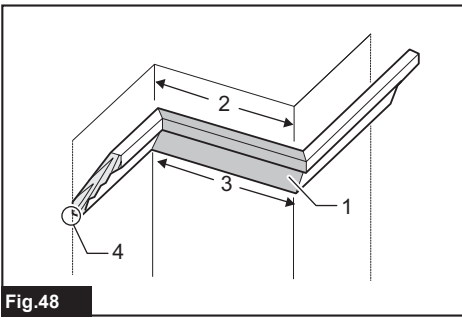


Fig.48

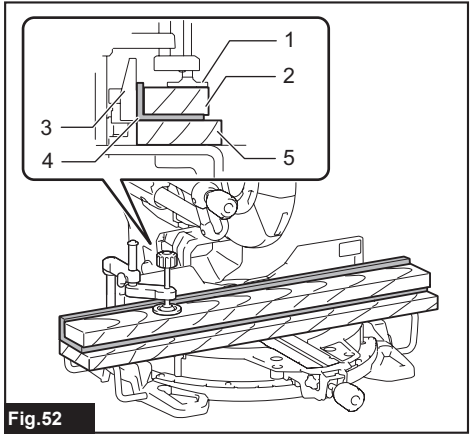


Fig.52

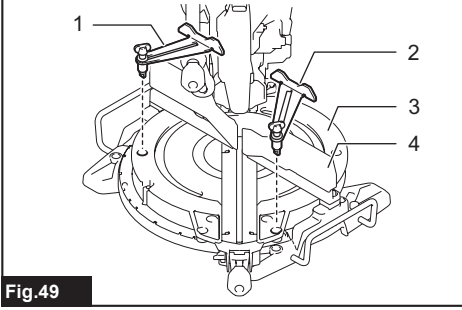
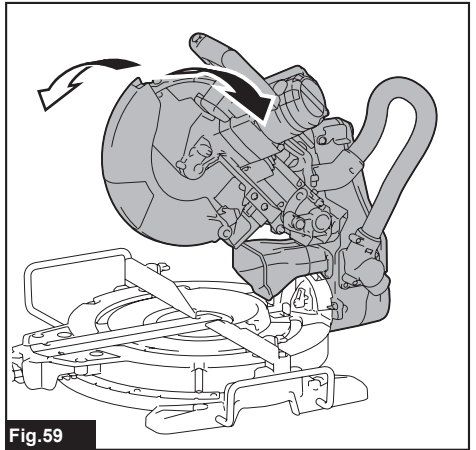
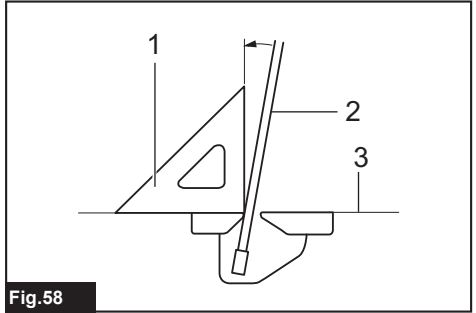
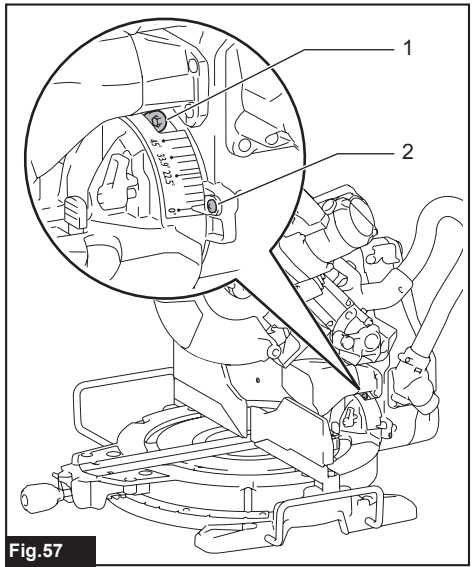
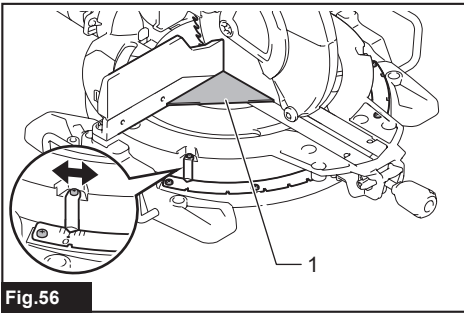
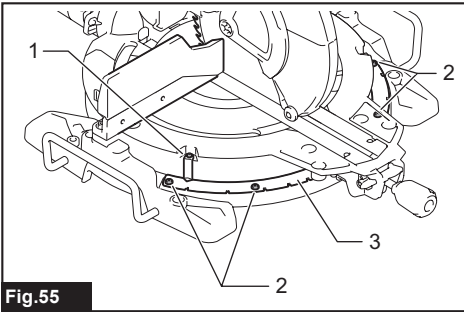
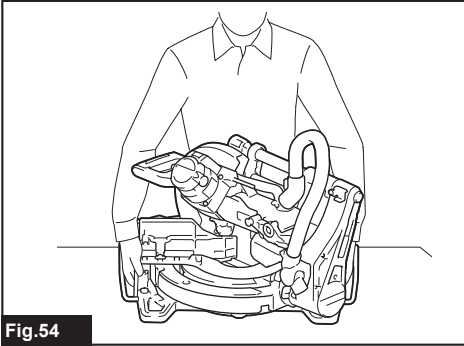
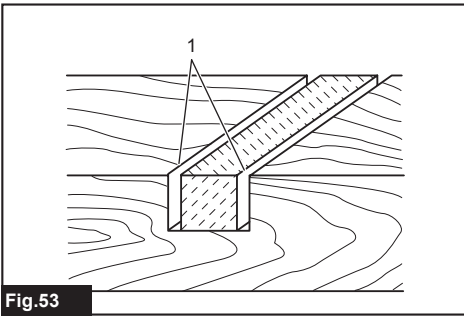


Fig.49



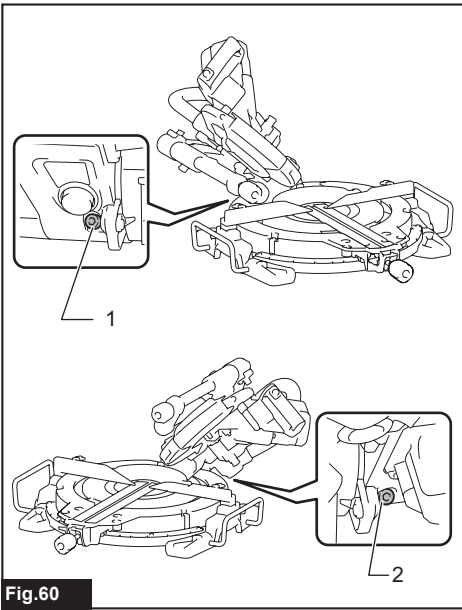


Fig.60

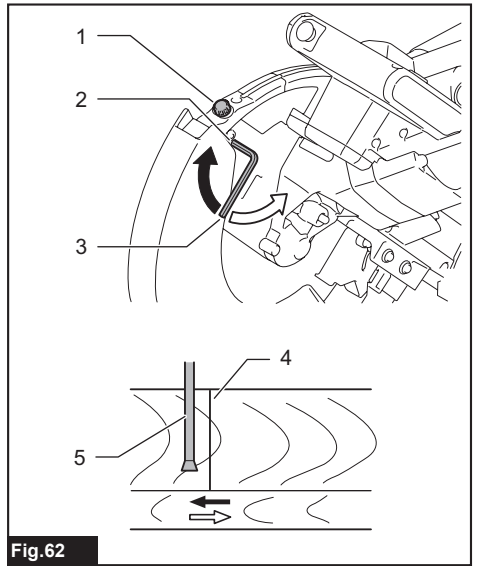


Fig.62

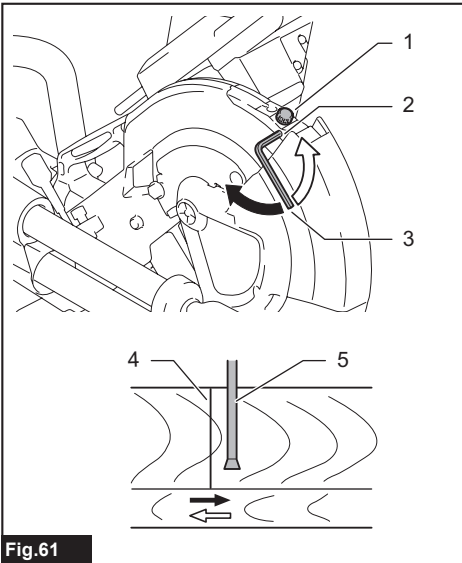


Fig.61

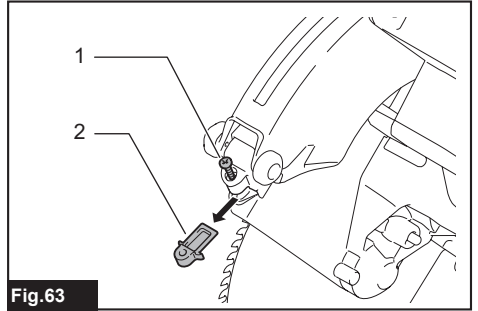


Fig.63

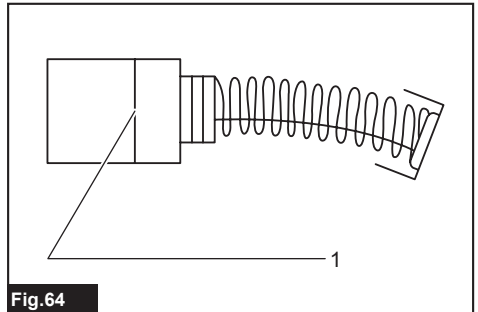


Fig.64

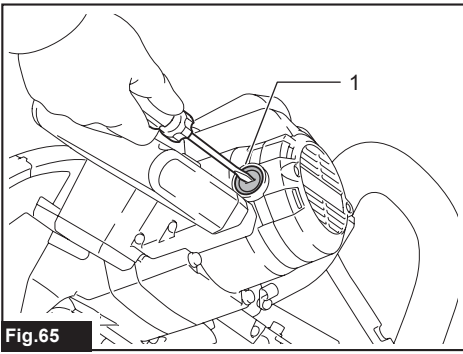


Fig.65

SPECIFICATIONS

Model:		LS1019	LS1019L
Blade diameter	European countries	260 mm	
	Countries other than Europe	255 mm - 260 mm	
Hole diameter	European countries	30 mm	
	Countries other than Europe	25.4 mm	
Max. kerf thickness of the saw blade		3.2 mm	
Max. miter angle		Right 60°, Left 60°	
Max. bevel angle		Right 48°, Left 48°	
No load speed (RPM)		3,200 min ⁻¹	
Laser type		-	Red Laser 650 nm, Maximum output < 1.6mW (Laser Class 2M)
Dimensions (L x W x H)		805 mm x 644 mm x 660 mm	
Net weight		26.1 kg	26.3 kg

Cutting capacities (H x W)

Miter angle	Bevel angle		
	45° (left)	0°	45° (right)
0°	42 mm x 310 mm 58 mm x 279mm	68 mm x 310 mm 91 mm x 279 mm	29 mm x 310 mm 43 mm x 279 mm
45° (right and left)	42 mm x 218 mm 58 mm x 197 mm	68 mm x 218 mm 91 mm x 197 mm	29 mm x 218 mm 43 mm x 197 mm
60° (right and left)	-	68 mm x 155 mm 91 mm x 139 mm	-




Cutting capacities for special cuttings







Type of cutting	Cutting capacity
Crown molding 45° type (with crown molding stopper used)	168 mm
Base board (with horizontal vise used)	133 mm

- Due to our continuing program of research and development, the specifications herein are subject to change without notice.
- Specifications may differ from country to country.
- Weight according to EPTA-Procedure 01/2014

Symbols

The followings show the symbols used for the equipment. Be sure that you understand their meaning before use.

	Read instruction manual.
	DOUBLE INSULATION
	To avoid injury from flying debris, keep holding the saw head down, after making cuts, until the blade has come to a complete stop.

	When performing bevel cut, first turn the knob counterclockwise and then tilt the carriage. After that, turn the knob clockwise to tighten.
	When performing slide cut, first pull carriage fully and press down handle, then push carriage toward the guide fence.
	Hold down the releasing button when tilting the carriage to the right.
	Engage the stopper lever when cutting a base board in 45° miter angle.
	Do not place hand or fingers close to the blade.
	Never look into the laser beam. Direct laser beam may injure your eyes.



Do not install the horizontal vise to the same direction as the miter cutting. (This symbol is applied on the horizontal vise)



Only for EU countries
Do not dispose of electric equipment together with household waste material! In observance of the European Directive, on Waste Electric and Electronic Equipment and its implementation in accordance with national law, electric equipment that have reached the end of their life must be collected separately and returned to an environmentally compatible recycling facility.

Intended use

The tool is intended for accurate straight and miter cutting in wood. With appropriate saw blades, aluminum can also be sawed.

Power supply

The tool should be connected only to a power supply of the same voltage as indicated on the nameplate, and can only be operated on single-phase AC supply. They are double-insulated and can, therefore, also be used from sockets without earth wire.

SAFETY WARNINGS

General power tool safety warnings

⚠ WARNING: Read all safety warnings, instructions, illustrations and specifications provided with this power tool. Failure to follow all instructions listed below may result in electric shock, fire and/or serious injury.

Save all warnings and instructions for future reference.

The term "power tool" in the warnings refers to your mains-operated (corded) power tool or battery-operated (cordless) power tool.

Work area safety

1. **Keep work area clean and well lit.** Cluttered or dark areas invite accidents.
2. **Do not operate power tools in explosive atmospheres, such as in the presence of flammable liquids, gases or dust.** Power tools create sparks which may ignite the dust or fumes.
3. **Keep children and bystanders away while operating a power tool.** Distractions can cause you to lose control.

Electrical safety

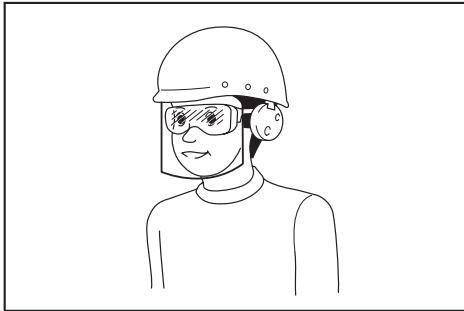
1. **Power tool plugs must match the outlet. Never modify the plug in any way. Do not use any adapter plugs with earthed (grounded) power tools.** Unmodified plugs and matching outlets will reduce risk of electric shock.

2. **Avoid body contact with earthed or grounded surfaces, such as pipes, radiators, ranges and refrigerators.** There is an increased risk of electric shock if your body is earthed or grounded.
3. **Do not expose power tools to rain or wet conditions.** Water entering a power tool will increase the risk of electric shock.
4. **Do not abuse the cord. Never use the cord for carrying, pulling or unplugging the power tool. Keep cord away from heat, oil, sharp edges or moving parts.** Damaged or entangled cords increase the risk of electric shock.
5. **When operating a power tool outdoors, use an extension cord suitable for outdoor use.** Use of a cord suitable for outdoor use reduces the risk of electric shock.
6. **If operating a power tool in a damp location is unavoidable, use a residual current device (RCD) protected supply.** Use of an RCD reduces the risk of electric shock.
7. **Use of power supply via an RCD with a rated residual current of 30 mA or less is always recommended.**
8. **Power tools can produce electromagnetic fields (EMF) that are not harmful to the user.** However, users of pacemakers and other similar medical devices should contact the maker of their device and/or doctor for advice before operating this power tool.
9. **Do not touch the power plug with wet hands.**
10. **If the cord is damaged, have it replaced by the manufacturer or his agent in order to avoid a safety hazard.**

Personal safety

1. **Stay alert, watch what you are doing and use common sense when operating a power tool. Do not use a power tool while you are tired or under the influence of drugs, alcohol or medication.** A moment of inattention while operating power tools may result in serious personal injury.
2. **Use personal protective equipment. Always wear eye protection.** Protective equipment such as a dust mask, non-skid safety shoes, hard hat or hearing protection used for appropriate conditions will reduce personal injuries.
3. **Prevent unintentional starting. Ensure the switch is in the off-position before connecting to power source and/or battery pack, picking up or carrying the tool.** Carrying power tools with your finger on the switch or energising power tools that have the switch on invites accidents.
4. **Remove any adjusting key or wrench before turning the power tool on.** A wrench or a key left attached to a rotating part of the power tool may result in personal injury.
5. **Do not overreach. Keep proper footing and balance at all times.** This enables better control of the power tool in unexpected situations.
6. **Dress properly. Do not wear loose clothing or jewellery. Keep your hair and clothing away from moving parts.** Loose clothes, jewellery or long hair can be caught in moving parts.

7. If devices are provided for the connection of dust extraction and collection facilities, ensure these are connected and properly used. Use of dust collection can reduce dust-related hazards.
8. Do not let familiarity gained from frequent use of tools allow you to become complacent and ignore tool safety principles. A careless action can cause severe injury within a fraction of a second.
9. Always wear protective goggles to protect your eyes from injury when using power tools. The goggles must comply with ANSI Z87.1 in the USA, EN 166 in Europe, or AS/NZS 1336 in Australia/New Zealand. In Australia/New Zealand, it is legally required to wear a face shield to protect your face, too.
7. Use the power tool, accessories and tool bits etc. in accordance with these instructions, taking into account the working conditions and the work to be performed. Use of the power tool for operations different from those intended could result in a hazardous situation.
8. Keep handles and grasping surfaces dry, clean and free from oil and grease. Slippery handles and grasping surfaces do not allow for safe handling and control of the tool in unexpected situations.
9. When using the tool, do not wear cloth work gloves which may be entangled. The entanglement of cloth work gloves in the moving parts may result in personal injury.



It is an employer's responsibility to enforce the use of appropriate safety protective equipments by the tool operators and by other persons in the immediate working area.

Power tool use and care

1. Do not force the power tool. Use the correct power tool for your application. The correct power tool will do the job better and safer at the rate for which it was designed.
2. Do not use the power tool if the switch does not turn it on and off. Any power tool that cannot be controlled with the switch is dangerous and must be repaired.
3. Disconnect the plug from the power source and/or remove the battery pack, if detachable, from the power tool before making any adjustments, changing accessories, or storing power tools. Such preventive safety measures reduce the risk of starting the power tool accidentally.
4. Store idle power tools out of the reach of children and do not allow persons unfamiliar with the power tool or these instructions to operate the power tool. Power tools are dangerous in the hands of untrained users.
5. Maintain power tools and accessories. Check for misalignment or binding of moving parts, breakage of parts and any other condition that may affect the power tool's operation. If damaged, have the power tool repaired before use. Many accidents are caused by poorly maintained power tools.
6. Keep cutting tools sharp and clean. Properly maintained cutting tools with sharp cutting edges are less likely to bind and are easier to control.

Service

1. Have your power tool serviced by a qualified repair person using only identical replacement parts. This will ensure that the safety of the power tool is maintained.
2. Follow instruction for lubricating and changing accessories.

Safety instructions for mitre saws

1. Mitre saws are intended to cut wood or wood-like products, they cannot be used with abrasive cut-off wheels for cutting ferrous material such as bars, rods, studs, etc. Abrasive dust causes moving parts such as the lower guard to jam. Sparks from abrasive cutting will burn the lower guard, the kerf insert and other plastic parts.
2. Use clamps to support the workpiece whenever possible. If supporting the workpiece by hand, you must always keep your hand at least 100 mm from either side of the saw blade. Do not use this saw to cut pieces that are too small to be securely clamped or held by hand. If your hand is placed too close to the saw blade, there is an increased risk of injury from blade contact.
3. The workpiece must be stationary and clamped or held against both the fence and the table. Do not feed the workpiece into the blade or cut "freehand" in any way. Unrestrained or moving workpieces could be thrown at high speeds, causing injury.
4. Push the saw through the workpiece. Do not pull the saw through the workpiece. To make a cut, raise the saw head and pull it out over the workpiece without cutting, start the motor, press the saw head down and push the saw through the workpiece. Cutting on the pull stroke is likely to cause the saw blade to climb on top of the workpiece and violently throw the blade assembly towards the operator.
5. Never cross your hand over the intended line of cutting either in front or behind the saw blade. Supporting the workpiece "cross handed" i.e. holding the workpiece to the right of the saw blade with your left hand or vice versa is very dangerous.

► Fig.1

6. **Do not reach behind the fence with either hand closer than 100 mm from either side of the saw blade, to remove wood scraps, or for any other reason while the blade is spinning.** The proximity of the spinning saw blade to your hand may not be obvious and you may be seriously injured.
 7. **Inspect your workpiece before cutting. If the workpiece is bowed or warped, clamp it with the outside bowed face toward the fence. Always make certain that there is no gap between the workpiece, fence and table along the line of the cut.** Bent or warped workpieces can twist or shift and may cause binding on the spinning saw blade while cutting. There should be no nails or foreign objects in the workpiece.
 8. **Do not use the saw until the table is clear of all tools, wood scraps, etc., except for the workpiece.** Small debris or loose pieces of wood or other objects that contact the revolving blade can be thrown with high speed.
 9. **Cut only one workpiece at a time.** Stacked multiple workpieces cannot be adequately clamped or braced and may bind on the blade or shift during cutting.
 10. **Ensure the mitre saw is mounted or placed on a level, firm work surface before use.** A level and firm work surface reduces the risk of the mitre saw becoming unstable.
 11. **Plan your work. Every time you change the bevel or mitre angle setting, make sure the adjustable fence is set correctly to support the workpiece and will not interfere with the blade or the guarding system.** Without turning the tool "ON" and with no workpiece on the table, move the saw blade through a complete simulated cut to assure there will be no interference or danger of cutting the fence.
 12. **Provide adequate support such as table extensions, saw horses, etc. for a workpiece that is wider or longer than the table top.** Workpieces longer or wider than the mitre saw table can tip if not securely supported. If the cut-off piece or workpiece tips, it can lift the lower guard or be thrown by the spinning blade.
 13. **Do not use another person as a substitute for a table extension or as additional support.** Unstable support for the workpiece can cause the blade to bind or the workpiece to shift during the cutting operation pulling you and the helper into the spinning blade.
 14. **The cut-off piece must not be jammed or pressed by any means against the spinning saw blade.** If confined, i.e. using length stops, the cut-off piece could get wedged against the blade and thrown violently.
 15. **Always use a clamp or a fixture designed to properly support round material such as rods or tubing.** Rods have a tendency to roll while being cut, causing the blade to "bite" and pull the work with your hand into the blade.
 16. **Let the blade reach full speed before contacting the workpiece.** This will reduce the risk of the workpiece being thrown.
 17. **If the workpiece or blade becomes jammed, turn the mitre saw off. Wait for all moving parts to stop and disconnect the plug from the power source and/or remove the battery pack. Then work to free the jammed material.** Continued sawing with a jammed workpiece could cause loss of control or damage to the mitre saw.
 18. **After finishing the cut, release the switch, hold the saw head down and wait for the blade to stop before removing the cut-off piece.** Reaching with your hand near the coasting blade is dangerous.
 19. **Hold the handle firmly when making an incomplete cut or when releasing the switch before the saw head is completely in the down position.** The braking action of the saw may cause the saw head to be suddenly pulled downward, causing a risk of injury.
 20. **Only use the saw blade with the diameter that is marked on the tool or specified in the manual.** Use of an incorrectly sized blade may affect the proper guarding of the blade or guard operation which could result in serious personal injury.
 21. **Only use the saw blades that are marked with a speed equal or higher than the speed marked on the tool.**
 22. **Do not use the saw to cut other than wood, aluminum or similar materials.**
 23. **(For European countries only) Always use the blade which conforms to EN847-1.**
- Additional instructions**
1. **Make workshop kid proof with padlocks.**
 2. **Never stand on the tool.** Serious injury could occur if the tool is tipped or if the cutting tool is unintentionally contacted.
 3. **Never leave the tool running unattended. Turn the power off. Do not leave tool until it comes to a complete stop.**
 4. **Do not operate saw without guards in place. Check blade guard for proper closing before each use. Do not operate saw if blade guard does not move freely and close instantly. Never clamp or tie the blade guard into the open position.**
 5. **Keep hands out of path of saw blade. Avoid contact with any coasting blade. It can still cause severe injury.**
 6. **To reduce the risk of injury, return carriage to the full rear position after each crosscut operation.**
 7. **Always secure all moving portions before carrying the tool.**
 8. **Stopper pin which locks the cutter head down is for carrying and storage purposes only and not for any cutting operations.**
 9. **Check the blade carefully for cracks or damage before operation. Replace cracked or damaged blade immediately. Gum and wood pitch hardened on blades slows saw and increases potential for kickback. Keep blade clean by first removing it from tool, then cleaning it with gum and pitch remover, hot water or kerosene. Never use gasoline to clean blade.**

10. While making a slide cut, KICKBACK can occur. KICKBACK occurs when the blade binds in the workpiece during a cutting operation and the saw blade is driven rapidly towards the operator. Loss of control and serious personal injury can result. If blade begins to bind during a cutting operation, do not continue to cut and release switch immediately.
11. Use only flanges specified for this tool.
12. Be careful not to damage the arbor, flanges (especially the installing surface) or bolt. Damage to these parts could result in blade breakage.
13. Make sure that the turn base is properly secured so it will not move during operation. Use the holes in the base to fasten the saw to a stable work platform or bench. NEVER use tool where operator positioning would be awkward.
14. Make sure the shaft lock is released before the switch is turned on.
15. Be sure that the blade does not contact the turn base in the lowest position.
16. Hold the handle firmly. Be aware that the saw moves up or down slightly during start-up and stopping.
17. Make sure the blade is not contacting the workpiece before the switch is turned on.
18. Before using the tool on an actual workpiece, let it run for a while. Watch for vibration or wobbling that could indicate poor installation or a poorly balanced blade.
19. Stop operation immediately if you notice anything abnormal.
20. Do not attempt to lock the trigger in the "ON" position.
21. Always use accessories recommended in this manual. Use of improper accessories such as abrasive wheels may cause an injury.
22. Some material contains chemicals which may be toxic. Take caution to prevent dust inhalation and skin contact. Follow material supplier safety data.

Additional safety rules for the laser

1. LASER RADIATION, DO NOT STARE INTO THE BEAM OR VIEW DIRECTLY WITH OPTICAL INSTRUMENTS, CLASS 2M LASER PRODUCT.

SAVE THESE INSTRUCTIONS.

⚠WARNING: DO NOT let comfort or familiarity with product (gained from repeated use) replace strict adherence to safety rules for the subject product. MISUSE or failure to follow the safety rules stated in this instruction manual may cause serious personal injury.

PARTS DESCRIPTION

► Fig.2

1	Slide pole	2	Stopper pin (for carriage sliding)	3	Vertical vise	4	Releasing button (for right side bevel angle)
5	Holder	6	Turn base	7	Pointer (for miter angle)	8	Miter angle scale
9	Kerf board	10	Blade case	11	Adjusting screw (for laser line)	12	Range adjustment screw (for laser line)
13	Blade guard	14	Knob (for bevel angle)	15	Hex wrench	16	Adjusting screw (for lower limit position)
17	Adjusting bolt (for maximum cutting capacity)	18	Stopper arm	19	Lock lever (for turn base)	20	Releasing lever (for turn base)
21	Grip (for turn base)	-	-	-	-	-	-

► Fig.3

1	Switch trigger	2	Lock-off button	3	Hole for padlock	4	Switch (for laser line)
5	Hose (for dust extraction)	6	Stopper pin (for carriage elevation)	7	Guide fence (lower fence)	8	Guide fence (upper fence)
9	Dust bag	10	0° adjusting bolt (for bevel angle)	11	Bevel angle scale	12	Releasing lever (for 48° bevel angle)
13	Latch lever (for bevel angle)	14	Pointer (for bevel angle)	15	45° adjusting bolt (for bevel angle)	-	-

INSTALLATION

Installing the grip

Screw the threaded shaft of the grip into the turn base.

► **Fig.4:** 1. Grip 2. Turn base

Installing the dust extraction hose

Connect the dust extraction hose to the tool as illustrated.

Make sure that the elbow and the sleeve fit properly to the ports of the tool.

► **Fig.5:** 1. Dust extraction hose 2. Elbow 3. Sleeve 4. Port

To remove the elbow from the port, pull the elbow while pressing down the lock button.

► **Fig.6:** 1. Lock button 2. Elbow

Bench mounting

When the tool is shipped, the handle is locked in the lowered position by the stopper pin. While lowering the handle slightly, pull the stopper pin and rotate it 90°.

► **Fig.7:** 1. Locked position 2. Unlocked position 3. Stopper pin

This tool should be bolted with four bolts to a level and stable surface using the bolt holes provided in the tool's base. This will help prevent tipping and possible injury.

► **Fig.8:** 1. Bolt

⚠WARNING: Ensure that the tool will not move on the supporting surface. Movement of the miter saw on the supporting surface while cutting may result in loss of control and serious personal injury.

FUNCTIONAL DESCRIPTION

⚠WARNING: Always be sure that the tool is switched off and unplugged before adjusting or checking function on the tool. Failure to switch off and unplug the tool may result in serious personal injury from accidental start-up.

Blade guard

► **Fig.9:** 1. Blade guard

When lowering the handle, the blade guard rises automatically. The guard is spring loaded so it returns to its original position when the cut is completed and the handle is raised.

⚠WARNING: Never defeat or remove the blade guard or the spring which attaches to the guard. An exposed blade as a result of defeated guarding may result in serious personal injury during operation.

In the interest of your personal safety, always maintain the blade guard in good condition. Any irregular operation of the blade guard should be corrected immediately. Check to assure spring loaded return action of guard.

⚠WARNING: Never use the tool if the blade guard or spring are damaged, faulty or removed. Operation of the tool with a damaged, faulty or removed guard may result in serious personal injury.

If the see-through blade guard becomes dirty, or saw-dust adheres to it in such a way that the blade and/or workpiece is no longer easily visible, unplug the saw and clean the guard carefully with a damp cloth. Do not use solvents or any petroleum-based cleaners on the plastic guard because this may cause damage to the guard.

If the blade guard is especially dirty and vision through the guard is impaired, unplug the tool and use the supplied wrench to loosen the hex bolt holding the center cover. Loosen the hex bolt by turning it counterclockwise and raise the blade guard and center cover. With the blade guard so positioned, cleaning can be more completely and efficiently accomplished. When cleaning is complete, reverse procedure above and secure bolt. Do not remove spring holding blade guard. If guard becomes discolored through age or UV light exposure, contact a Makita service center for a new guard. DO NOT DEFEAT OR REMOVE GUARD.

► **Fig.10:** 1. Center cover 2. Hex wrench 3. Blade guard

Kerf boards

This tool is provided with the kerf boards in the turn base to minimize tearing on the exit side of a cut. The kerf boards are factory adjusted so that the saw blade does not contact the kerf boards. Before use, adjust the kerf boards as follows:

► **Fig.11:** 1. Kerf board

► **Fig.12:** 1. Left bevel cut 2. Straight cut 3. Right bevel cut 4. Saw blade 5. Blade teeth 6. Kerf board

First, unplug the tool. Loosen all the screws (2 each on left and right) securing the kerf boards until the kerf boards can still be easily moved by hand. Lower the handle fully, then pull and turn the stopper pin to lock the handle in the lowered position. Release the stopper pin on the sliding pole and pull the carriage toward you fully. Adjust the kerf boards so that the kerf boards just contact the sides of the blade teeth. Tighten the front screws (do not tighten firmly). Push the carriage toward the guide fence fully and adjust the kerf boards so that the kerf boards just contact the sides of blade teeth. Tighten the rear screws (do not tighten firmly).

After adjusting the kerf boards, release the stopper pin and raise the handle. Then tighten all the screws securely.

NOTICE: After setting the bevel angle ensure that the kerf boards are adjusted properly. Correct adjustment of the kerf boards will help provide proper support of the workpiece minimizing workpiece tear out.

Maintaining maximum cutting capacity

This tool is factory adjusted to provide the maximum cutting capacity for 255 mm or 260 mm saw blade.

When installing a new blade, always check the lower limit position of the blade and if necessary, adjust it as follows:

First, unplug the tool. Turn the stopper lever to engaged position.

► **Fig.13:** 1. Stopper lever

Push the carriage toward the guide fence fully and lower the handle completely.

Adjust the blade position by turning the adjusting bolt with the hex wrench. The periphery of the blade should extend slightly below the top surface of the turn base and also comes to the point where the front face of the guide fence meets the top surface of the turn base.

► **Fig.14:** 1. Adjusting bolt

► **Fig.15:** 1. Top surface of turn base 2. Periphery of blade 3. Guide fence

With the tool unplugged, rotate the blade by hand while holding the handle all the way down to be sure that the blade does not contact any part of the lower base. Re-adjust slightly, if necessary.

After adjustment, always return the stopper lever to the original position.

⚠ WARNING: After installing a new blade and with the tool unplugged, always be sure that the blade does not contact any part of the lower base when the handle is lowered completely. If a blade makes contact with the base it may cause kickback and result in serious personal injury.

Stopper arm

The lower limit position of the blade can be easily adjusted with the stopper arm. To adjust it, turn the stopper arm in the direction of the arrow as shown in the figure. Turn the adjusting screw so that the blade stops at the desired position when lowering the handle fully.

► **Fig.16:** 1. Stopper arm 2. Adjusting screw

Adjusting the miter angle

⚠ CAUTION: After changing the miter angle, always secure the turn base by tightening the grip firmly.

NOTICE: When turning the turn base, be sure to raise the handle fully.

► **Fig.17:** 1. Lock lever 2. Grip 3. Releasing lever 4. Pointer

Rotate the grip counterclockwise to unlock the turn base. Turn the grip while holding down the lock lever to move the turn base. Align the pointer with your desired angle on the scale then tighten the grip.

NOTE: If you depress the releasing lever, you can move the turn base without holding down the lock lever. Tighten the grip at your desired position.

This miter saw employs positive stop function. You can set 0°, 15°, 22.5°, 31.6°, 45°, and 60° right/left miter angle quickly. To use this function, move the turn base close to your desired positive stop angle while holding down the lock lever. Then release the lock lever and move the turn base to your desired positive stop angle until the turn base is locked.

Adjusting the bevel angle

NOTICE: Always remove the upper guide fences and vertical vise before adjusting the bevel angle.

NOTICE: When changing bevel angles, be sure to position the kerf boards appropriately as explained in the "Kerf boards" section.

NOTICE: When tilting the saw blade, be sure to raise the handle fully.

NOTICE: Do not tighten the knob too hard. Doing so may cause malfunction of the locking mechanism of the bevel angle.

1. Turn the knob on the slide pole counterclockwise.
► **Fig.18:** 1. Knob

2. Pull and turn the latch lever to the position as illustrated.

► **Fig.19:** 1. Latch lever

3. Match the pointer with your desired angle on the scale by moving the carriage then tighten the knob.

► **Fig.20:** 1. Bevel angle scale 2. Pointer

To tilt the carriage to the right, tilt the carriage to the left slightly and then tilt it to the right while pressing down the releasing button.

► **Fig.21:** 1. Releasing button

If you perform a bevel cut greater than 45°, move the carriage while sliding the releasing lever toward the front of the tool. You can perform up to 48° bevel cut.

► **Fig.22:** 1. Releasing lever

This miter saw employs positive stop function. You can set 22.5° and 33.9° angle to both right and left quickly. Set the latch lever in the position as illustrated and tilt the carriage. To change the angle, pull the latch lever and tilt the carriage.

► **Fig.23:** 1. Latch lever

⚠ CAUTION: After changing the bevel angle, always secure the knob.

Slide lock

To lock the sliding movement of the carriage, push the carriage toward the guide fence until it stops. Pull the stopper pin and rotate it 90°.

- **Fig.24:** 1. Unlocked position 2. Locked position
3. Stopper pin

Switch action

⚠WARNING: Before plugging in the tool, always check to see that the switch trigger actuates properly and returns to the “OFF” position when released. Do not pull the switch trigger hard without pressing in the lock-off button. This can cause switch breakage. Operating a tool with a switch that does not actuate properly can lead to loss of control and serious personal injury.

⚠WARNING: NEVER use tool without a fully operative switch trigger. Any tool with an inoperative switch is HIGHLY DANGEROUS and must be repaired before further usage or serious personal injury may occur.

⚠WARNING: NEVER defeat the lock-off button by taping down or some other means. A switch with a negated lock-off button may result in unintentional operation and serious personal injury.

⚠WARNING: NEVER use the tool if it runs when you simply pull the switch trigger without pressing the lock-off button. A switch in need of repair may result in unintentional operation and serious personal injury. Return tool to a Makita service center for proper repairs BEFORE further usage.

- **Fig.25:** 1. Switch trigger 2. Lock-off button 3. Hole for padlock

To prevent the switch trigger from being accidentally pulled, a lock-off button is provided. To start the tool, press in the lock-off button and pull the switch trigger. Release the switch trigger to stop. A hole is provided in the switch trigger for insertion of a padlock to lock the tool off.

⚠WARNING: Do not use a lock with a shank or cable any smaller than 6.35 mm (1/4”) in diameter. A smaller shank or cable may not properly lock the tool in the off position and unintentional operation may occur resulting in serious personal injury.

Electronic function

Constant speed control

The tool is provided with an electronic speed control which helps maintain a constant blade rotation speed even under load. A constant blade rotation speed will result in a very smooth cut.

Soft start feature

This function allows the smooth start-up of the tool by limiting the start-up torque.

Laser beam action

For model LS1019L only

⚠CAUTION: Never look into the laser beam. Direct laser beam may injure your eyes.

To turn on the laser beam, press the upper position (I) of the switch. To turn off the laser beam, press the lower position (0) of the switch.

- **Fig.26:** 1. Switch for laser

Laser line can be shifted to either the left or right side of the saw blade by turning the adjusting screw as follows.

- **Fig.27:** 1. Adjusting screw

1. Loosen the adjusting screw by turning it counterclockwise.
2. With the adjusting screw loosened, slide the adjusting screw to the right or left as far as it goes.
3. Tighten the adjusting screw firmly at the position where it stops sliding.

NOTE: Laser line is factory adjusted so that it is positioned within 1 mm from the side surface of the blade (cutting position).

NOTE: When laser line appears dim and hard to see because of direct sunlight, relocate the work area to a place where there is less direct sunlight.

Aligning the laser line

Align the cutting line on your workpiece with the laser line.

- **Fig.28**

- A) When you want to obtain the correct size on the left side of workpiece, shift the laser line to the left of the blade.
B) When you want to obtain the correct size on the right side of workpiece, shift the laser line to the right of the blade.

NOTE: Use wood facing against the guide fence when aligning the cutting line with the laser line at the side of guide fence in compound cutting (bevel angle 45° and miter angle right 45°).

ASSEMBLY

⚠WARNING: Always be sure that the tool is switched off and unplugged before working on the tool. Failure to switch off and unplug the tool may result in serious personal injury.

Hex wrench storage

When not in use, store the hex wrench as shown in the figure to keep it from being lost.

- **Fig.29:** 1. Hex wrench

Removing and installing saw blade

⚠ WARNING: Always be sure that the tool is switched off and unplugged before installing or removing the blade. Accidental start up of the tool may result in serious personal injury.

⚠ WARNING: Use only the Makita wrench provided to install or remove the blade. Failure to use the wrench may result in overtightening or insufficient tightening of the hex socket bolt and serious personal injury.

Always lock the carriage with raised position when removing and installing the blade. Pull the stopper pin and rotate it 90° with the carriage raised.

► **Fig.30:** 1. Unlocked position 2. Locked position 3. Stopper pin

Removing the blade

Loosen the hex bolt holding the center cover using the hex wrench. Raise the blade guard and center cover.

► **Fig.31:** 1. Center cover 2. Hex wrench 3. Blade guard

Press the shaft lock to lock the spindle and use the hex wrench to loosen the hex socket bolt. Then remove the hex socket bolt, outer flange and blade.

► **Fig.32:** 1. Shaft lock 2. Hex wrench 3. Hex socket bolt (left-handed) 4. Loosen 5. Tighten

Installing the blade

Mount the blade carefully onto the spindle, making sure that the direction of the arrow on the surface of the blade matches the direction of the arrow on the blade case.

► **Fig.33:** 1. Arrow on the blade case 2. Arrow on the blade

Install the outer flange and hex socket bolt. Tighten the hex socket bolt counterclockwise using the hex wrench while pressing the shaft lock.

► **Fig.34:** 1. Hex socket bolt 2. Outer flange 3. Saw blade 4. Inner flange 5. Spindle 6. Ring

NOTICE: If the inner flange is removed, be sure to install it on the spindle with its protrusion facing away from the blade. If the flange is installed incorrectly, the flange will rub against the machine.

Return the blade guard and center cover to its original position. Then tighten the hex bolt clockwise to secure the center cover. Unlock the stopper pin to release carriage from the raised position. Lower the handle to make sure that the blade guard moves properly. Make sure shaft lock has released spindle before making cut.

⚠ WARNING: Before mounting the blade onto the spindle, always be sure that the correct ring for the blade's arbor hole you intend to use is installed between the inner and the outer flanges. Use of the incorrect arbor hole ring may result in the improper mounting of the blade causing blade movement and severe vibration resulting in possible loss of control during operation and in serious personal injury.

Connecting a vacuum cleaner

When you wish to perform clean cutting operation, connect a Makita vacuum cleaner to the dust nozzle using a front cuff 24 (optional accessory).

► **Fig.35:** 1. Front cuff 24 2. Hose 3. Vacuum cleaner

Dust bag

The use of the dust bag makes cutting operations clean and dust collection easy. To attach the dust bag, remove the dust extraction hose from the tool and connect the dust bag.

► **Fig.36:** 1. Dust extraction hose 2. Dust bag

When the dust bag is about half full, remove the dust bag from the tool and pull the fastener out. Empty the dust bag of its contents, tapping it lightly so as to remove particles adhering to the insides which might hamper further collection.

► **Fig.37:** 1. Fastener

Securing workpiece

⚠ WARNING: It is extremely important to always secure the workpiece correctly with the proper type of vise or crown molding stoppers. Failure to do so may result in serious personal injury and cause damage to the tool and/or the workpiece.

⚠ WARNING: After a cutting operation, do not raise the saw blade until it has come to a complete stop. The raising of a coasting blade may result in serious personal injury and damage to the workpiece.

⚠ WARNING: When cutting a workpiece that is longer than the support base of the saw, the material should be supported the entire length beyond the support base and at the same height to keep the material level. Proper workpiece support will help avoid blade pinch and possible kickback which may result in serious personal injury. Do not rely solely on the vertical vise and/or horizontal vise to secure the workpiece. Thin material tends to sag. Support workpiece over its entire length to avoid blade pinch and possible KICKBACK.

► **Fig.38:** 1. Support 2. Turn base

Guide fences

⚠ WARNING: Before operating the tool, make sure that the upper fence is secured firmly.

⚠ WARNING: Before bevel-cutting, make sure that no part of the tool, especially the blade, contacts the upper and lower fences when fully lowering and raising the handle in any position and while moving the carriage through its full range of travel. If the tool or blade makes contact with the fence this may result in kickback or unexpected movement of the material and serious personal injury.

Use upper fences to support the material higher than the lower fences. Insert the upper fence into the hole on the lower fence and tighten the clamping screw.

► **Fig.39:** 1. Upper fence 2. Lower fence 3. Clamping screw 4. Adjusting screw

NOTICE: The lower fences are fixed to the base in the factory. Do not remove the lower fences.

NOTICE: If the upper fence is still loose after tightening the clamping screw, turn the adjusting screw to close a gap. The adjusting screw is factory adjusted. You don't need to use it unless needed.

You can store the upper fences onto the holder when not in use. Use the clip on the upper fence to hold it on the holder.

► **Fig.40:** 1. Holder 2. Upper fence 3. Clip

Vertical vise

⚠ WARNING: The workpiece must be secured firmly against the turn base and guide fence with the vise during all operations. If the workpiece is not properly secured against the fence the material may move during the cutting operation causing possible damage to the blade, causing the material to be thrown and loss of control resulting in serious personal injury.

► **Fig.41:** 1. Vise arm 2. Vise rod 3. Clamping screw 4. Vise knob

The vertical vise can be installed in two positions on either the left or right side of the base. Insert the vise rod into the hole in the base.

Position the vise arm according to the thickness and shape of the workpiece and secure the vise arm by tightening the screw. If the clamping screw contacts the carriage, install it on the opposite side of vise arm. Make sure that no part of the tool contacts the vise when lowering the handle all the way. If some part contacts the vise, re-position the vise.

Press the workpiece flat against the guide fence and the turn base. Position the workpiece at the desired cutting position and secure it firmly by tightening the vise knob.

NOTE: For a quick setting of workpiece, turning the vise knob to 90° counterclockwise allows the vise knob to be moved up and down. To secure the workpiece after setting, turn the vise knob clockwise.

Horizontal vise

Optional accessory

⚠ WARNING: Always rotate the vise nut clockwise until the workpiece is properly secured. If the workpiece is not properly secured the material may move during the cutting operation causing possible damage to the saw blade, causing the material to be thrown and loss of control resulting in serious personal injury.

⚠ WARNING: When cutting a thin workpiece, such as base boards, against the fence, always use the horizontal vise.

⚠ CAUTION: When cutting the workpiece of the thickness 20 mm or thinner, make sure to use a spacer block to secure the workpiece.

The horizontal vise can be installed in two positions on either the left or right side of the base. When performing 22.5° or greater miter cuts, install the horizontal vise on the side opposite the direction in which the turn base is to be turned.

► **Fig.42:** 1. Vise plate 2. Vise nut 3. Vise knob

By flipping the vise nut counterclockwise, the vise is released, and rapidly moves in and out. To grip the workpiece, push the vise knob forward until the vise plate contacts the workpiece and flip the vise nut clockwise. Then turn the vise knob clockwise to secure the workpiece.

NOTE: The maximum width of workpiece which can be secured by the horizontal vise is 228 mm.

Holders

⚠ WARNING: Always support a long workpiece so it is level with the top surface of the turn base for an accurate cut and to prevent dangerous loss of tool control. Proper workpiece support will help avoid blade pinch and possible kickback which may result in serious personal injury.

To hold long workpieces horizontally, holders are provided on both sides of the tool. Loosen the screws and extend the holders to the appropriate length for holding the workpiece. Then tighten the screws.

► **Fig.43:** 1. Holder 2. Screw

OPERATION

⚠ WARNING: Make sure the saw blade is not contacting the workpiece, etc. before the switch is turned on. Turning the tool on with the blade in contact with the workpiece may result in kickback and serious personal injury.

⚠ WARNING: After a cutting operation, do not raise the saw blade until it has come to a complete stop. The raising of a coasting blade may result in serious personal injury and damage to the workpiece.

⚠ WARNING: Do not perform any adjustment such as turning grip, knob, and levers on the tool while the saw blade is rotating. Adjustment while the blade is rotating may result in serious personal injury.

NOTICE: Before use, be sure to unlock the stopper pin and release the handle from the lowered position.

NOTICE: Do not apply excessive pressure on the handle when cutting. Too much force may result in overload of the motor and/or decreased cutting efficiency. Press down handle with only as much force as necessary for smooth cutting and without significant decrease in blade speed.

NOTICE: Gently press down the handle to perform the cut. If the handle is pressed down with force or if lateral force is applied, the blade may vibrate and leave a mark (saw mark) in the workpiece and the precision of the cut may be impaired.

NOTICE: During a slide cut, gently push the carriage toward the guide fence without stopping. If the carriage movement is stopped during the cut, a mark will be left in the workpiece and the precision of the cut will be impaired.

Press cutting

⚠ WARNING: Always lock the sliding movement of the carriage when performing a press cutting. Cutting without lock may cause possible kickback which may result in serious personal injury.

Workpieces up to 68 mm high and 160 mm wide can be cut in the following manner.

► Fig.44: 1. Stopper pin

1. Push the carriage toward the guide fence until it stops and lock it with the stopper pin.
2. Secure the workpiece with the proper type of vise.
3. Switch on the tool without the circular saw blade making any contact and wait until the circular saw blade attains full speed before lowering.
4. Gently lower the handle to the fully lowered position to cut the workpiece.
5. When the cut is completed, switch off the tool and wait until the circular saw blade has come to a complete stop before returning the circular saw blade to its fully elevated position.

Slide (push) cutting (cutting wide workpieces)

⚠ WARNING: Whenever performing a slide cut, first pull the carriage full towards you and press the handle all the way down, then push the carriage toward the guide fence. Never start the cut with the carriage not pulled fully toward you. If you perform the slide cut without the carriage pulled fully toward you, unexpected kickback may occur and serious personal injury may result.

⚠ WARNING: Never attempt to perform a slide cut by pulling the carriage towards you. Pulling the carriage towards you while cutting may cause unexpected kickback resulting in possible serious personal injury.

⚠ WARNING: Never perform the slide cut with the handle locked in the lowered position.

► Fig.45: 1. Stopper pin

1. Unlock the stopper pin so that the carriage can slide freely.
2. Secure the workpiece with the proper type of vise.
3. Pull the carriage toward you fully.
4. Switch on the tool without the saw blade making any contact and wait until the saw blade attains full speed.
5. Press the handle down and push the carriage toward the guide fence and through the workpiece.
6. When the cut is completed, switch off the tool and wait until the saw blade has come to a complete stop before returning the blade to its fully elevated position.

Miter cutting

Refer to the section for adjusting the miter angle.

Bevel cut

⚠ WARNING: After setting the blade for a bevel cut, ensure that the carriage and saw blade will have free travel throughout the entire range of the intended cut before operating the tool. Interruption of the carriage or blade travel during the cutting operation may result in kickback and serious personal injury.

⚠ WARNING: While making a bevel cut, keep hands out of the path of the saw blade. The angle of the blade may confuse the operator as to the actual blade path while cutting and contact with the blade will result in serious personal injury.

⚠ WARNING: The saw blade should not be raised until it has come to a complete stop. During a bevel cut, the piece cut off may come to rest against the saw blade. If the blade is raised while it is rotating, the cut-off piece may be ejected by the blade causing the material to fragment which may result in serious personal injury.

NOTICE: When pressing down the handle, apply pressure in parallel with the blade. If a force is applied perpendicularly to the turn base or if the pressure direction is changed during a cut, the precision of the cut will be impaired.

► **Fig.46**

1. Remove the upper fence on the side that you are going to tilt the carriage.
2. Unlock the stopper pin.
3. Adjust the bevel angle according to the procedure explained in the section for bevel angle adjustment. Then tighten the knob.
4. Secure the workpiece with a vise.
5. Pull the carriage toward you fully.
6. Switch on the tool without the blade making any contact and wait until the blade attains full speed.
7. Gently lower the handle to the fully lowered position while applying pressure in parallel with the blade and **push the carriage toward the guide fence to cut the workpiece.**
8. When the cut is completed, switch off the tool and **wait until the blade has come to a complete stop** before returning the blade to its fully elevated position.

Compound cutting

Compound cutting is the process in which a bevel angle is made at the same time in which a miter angle is being cut on a workpiece. Compound cutting can be performed at the angle shown in the table.

Miter angle	Bevel angle
Left and Right 0° - 45°	Left and Right 0° - 45°

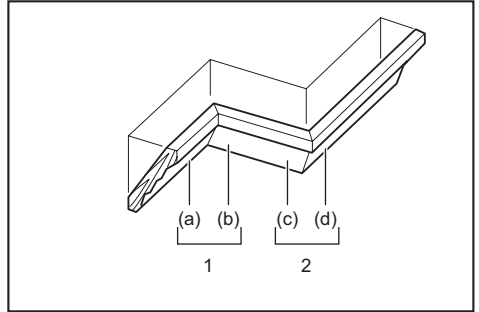
When performing compound cutting, refer to the section for press cutting, slide (push) cutting, miter cutting and bevel cut.

Cutting crown and cove moldings

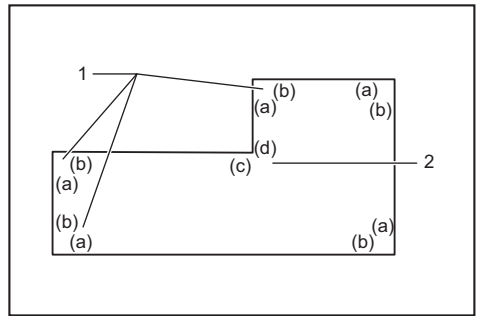
Crown and cove moldings can be cut on a compound miter saw with the moldings laid flat on the turn base. There are two common types of crown moldings and one type of cove moldings; 52/38° wall angle crown molding, 45° wall angle crown molding and 45° wall angle cove molding.

- **Fig.47:** 1. 52/38° type crown molding 2. 45° type crown molding 3. 45° type cove molding

There are crown and cove molding joints which are made to fit "Inside" 90° corners ((a) and (b) in the figure) and "Outside" 90° corners ((c) and (d) in the figure.)



1. Inside corner 2. Outside corner



1. Inside corner 2. Outside corner

Measuring

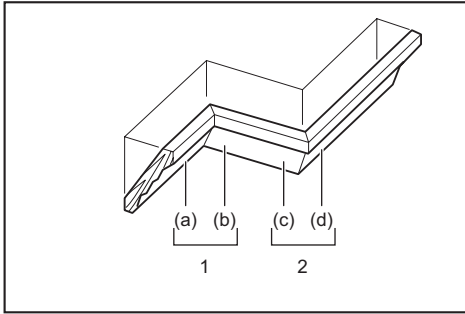
Measure the wall width, and adjust the width of the workpiece according to it. Always make sure that width of the workpiece's wall contact edge is the same as wall length.

- **Fig.48:** 1. Workpiece 2. Wall width 3. Width of the workpiece 4. Wall contact edge

Always use several pieces for test cuts to check the saw angles.

When cutting crown and cove moldings, set the bevel angle and miter angle as indicated in the table (A) and position the moldings on the top surface of the saw base as indicated in the table (B).

In the case of left bevel cut



1. Inside corner 2. Outside corner

Table (A)

–	Molding position in the figure	Bevel angle		Miter angle	
		52/38° type	45° type	52/38° type	45° type
For inside corner	(a)	Left 33.9°	Left 30°	Right 31.6°	Right 35.3°
	(b)			Left 31.6°	Left 35.3°
For outside corner	(c)			Right 31.6°	Right 35.3°
	(d)				

Table (B)

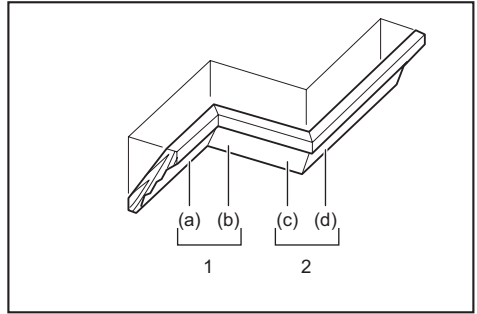
–	Molding position in the figure	Molding edge against guide fence	Finished piece
For inside corner	(a)	Ceiling contact edge should be against guide fence.	Finished piece will be on the Left side of blade.
	(b)	Wall contact edge should be against guide fence.	
For outside corner	(c)	Wall contact edge should be against guide fence.	Finished piece will be on the Right side of blade.
	(d)	Ceiling contact edge should be against guide fence.	

Example:

In the case of cutting 52/38° type crown molding for position (a) in the above figure:

- Tilt and secure bevel angle setting to 33.9° LEFT.
- Adjust and secure miter angle setting to 31.6° RIGHT.
- Lay crown molding with its broad back (hidden) surface down on the turn base with its CEILING CONTACT EDGE against the guide fence on the saw.
- The finished piece to be used will always be on the LEFT side of the blade after the cut has been made.

In the case of right bevel cut



1. Inside corner 2. Outside corner

Table (A)

–	Molding position in the figure	Bevel angle		Miter angle	
		52/38° type	45° type	52/38° type	45° type
For inside corner	(a)	Right 33.9°	Right 30°	Right 31.6°	Right 35.3°
	(b)			Left 31.6°	Left 35.3°
For outside corner	(c)			Right 31.6°	Right 35.3°
	(d)				

Table (B)

–	Molding position in the figure	Molding edge against guide fence	Finished piece
For inside corner	(a)	Wall contact edge should be against guide fence.	Finished piece will be on the Right side of blade.
	(b)	Ceiling contact edge should be against guide fence.	
For outside corner	(c)	Wall contact edge should be against guide fence.	Finished piece will be on the Left side of blade.
	(d)	Ceiling contact edge should be against guide fence.	

Example:

In the case of cutting 52/38° type crown molding for position (a) in the above figure:

- Tilt and secure bevel angle setting to 33.9° RIGHT.
- Adjust and secure miter angle setting to 31.6° RIGHT.
- Lay crown molding with its broad back (hidden) surface down on the turn base with its WALL CONTACT EDGE against the guide fence on the saw.
- The finished piece to be used will always be on the RIGHT side of the blade after the cut has been made.

Crown molding stopper

Optional accessory

Crown molding stoppers allow easier cuts of crown molding without tilting the saw blade. Install them on the turn base as shown in the figures.

At right 45° miter angle

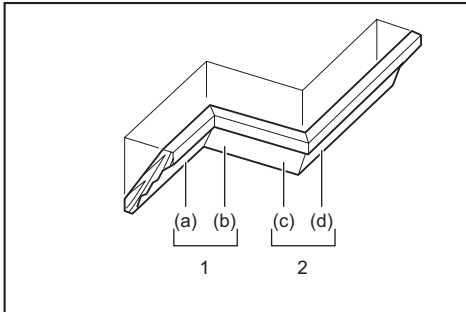
► **Fig.49:** 1. Crown molding stopper L 2. Crown molding stopper R 3. Turn base 4. Guide fence

At left 45° miter angle

► **Fig.50:** 1. Crown molding stopper L 2. Crown molding stopper R 3. Turn base 4. Guide fence

Position crown molding with its WALL CONTACT EDGE against the guide fence and its CEILING CONTACT EDGE against the crown molding stoppers as shown in the figure. Adjust the crown molding stoppers according to the size of the crown molding. Tighten the screws to secure the crown molding stoppers. Refer to the table (C) for the miter angle.

► **Fig.51:** 1. Guide fence 2. Crown molding stopper



1. Inside corner 2. Outside corner

Table (C)

–	Molding position in the figure	Miter angle	Finished piece
For inside corner	(a)	Right 45°	Save the right side of blade
	(b)	Left 45°	Save the left side of blade
For outside corner	(c)	Right 45°	Save the right side of blade
	(d)		Save the left side of blade

Cutting aluminum extrusion

► **Fig.52:** 1. Vise 2. Spacer block 3. Guide fence 4. Aluminum extrusion 5. Spacer block

When securing aluminum extrusions, use spacer blocks or pieces of scrap as shown in the figure to prevent deformation of the aluminum. Use a cutting lubricant when cutting the aluminum extrusion to prevent build-up of the aluminum material on the circular saw blade.

⚠WARNING: Never attempt to cut thick or round aluminum extrusions. Thick or round aluminum extrusions can be difficult to secure and the work may loosen during the cutting operation which may result in loss of control and serious personal injury.

Groove cutting

⚠WARNING: Do not attempt to perform this type of cut by using a wider type blade or dado blade. Attempting to make a groove cut with a wider blade or dado blade could lead to unexpected cutting results and kickback which may result in serious personal injury.

⚠WARNING: Be sure to return the stopper arm to the original position when performing other than groove cutting. Attempting to make cuts with the stopper arm in the incorrect position could lead to unexpected cutting results and kickback which may result in serious personal injury.

For a dado type cut, perform as follows:

1. Adjust the lower limit position of the circular saw blade using the adjusting screw and the stopper arm to limit the cutting depth of the circular saw blade. Refer to the section for stopper arm.

2. After adjusting the lower limit position of the circular saw blade, cut parallel grooves across the width of the workpiece using a slide (push) cut.

► **Fig.53:** 1. Cut grooves with blade

3. Remove the workpiece material between the grooves with a chisel.

Carrying tool

Before carrying, make sure to unplug and all movable parts of the miter saw are secured. Always check the following:

- The tool is unplugged.
- The carriage is at 0° bevel angle position and secured.
- The carriage is lowered and locked.
- The carriage is fully slid to the guide fence and locked.
- The turn base is at the full right miter angle position and secured.
- The holders are stored and secured.

Carry the tool by holding both sides of the tool base as shown in the figure.

► **Fig.54**

⚠WARNING: Stopper pin for carriage elevation is for carrying and storage purposes only and not for any cutting operations. The use of the stopper pin for cutting operations may cause unexpected movement of the saw blade resulting in kickback and serious personal injury.

⚠CAUTION: Always secure all moving portions before carrying the tool. If portions of the tool move or slide while being carried, loss of control or balance may occur and result in personal injury.

MAINTENANCE

⚠ WARNING: Always be sure that the tool is switched off and unplugged before attempting to perform inspection or maintenance. Failure to unplug and switch off the tool may result in accidental start up of the tool which may result in serious personal injury.

⚠ WARNING: Always be sure that the blade is sharp and clean for the best and safest performance. Attempting a cut with a dull and /or dirty blade may cause kickback and result in a serious personal injury.

NOTICE: Never use gasoline, benzine, thinner, alcohol or the like. Discoloration, deformation or cracks may result.

Adjusting the cutting angle

This tool is carefully adjusted and aligned at the factory, but rough handling may have affected the alignment. If your tool is not aligned properly, perform the following:

Miter angle

Lower the handle fully and lock it in the lowered position by the stopper pin. Push the carriage toward the guide fence. Loosen the grip and the screws which secure the pointer and miter angle scale.

► **Fig.55:** 1. Screw on pointer 2. Screws on miter angle scale 3. Miter scale

Set the turn base to the 0° position using the positive stop function. Square the side of the blade with the face of the guide fence using a triangular rule or try-square. While keeping the square, tighten the screws on the miter angle scale. After that, align the pointers (both right and left) with the 0° position in the miter angle scale and then tighten the screw on the pointer.

► **Fig.56:** 1. Triangular rule

Bevel angle

0° bevel angle

Push the carriage toward the guide fence and lock the sliding movement by the stopper pin. Lower the handle fully and lock it in the lowered position by the stopper pin and then loosen the knob. Turn the 0° adjusting bolt two or three revolutions counterclockwise to tilt the saw blade to the right.

► **Fig.57:** 1. 0° Adjusting bolt 2. Screw

Carefully square the side of the saw blade with the top surface of the turn base using the triangular rule, try-square, etc. by turning the 0° adjusting bolt clockwise. Then tighten the knob firmly to secure the 0° angle you have set.

► **Fig.58:** 1. Triangular rule 2. Saw blade 3. Top surface of turn base

Check if the side of the saw blade squares with the turn base surface once again. Loosen the screw on the pointer. Align the pointer with 0° position in the bevel angle scale and then tighten the screw.

45° bevel angle

NOTICE: Before adjusting the 45° bevel angle, finish 0° bevel angle adjustment.

Loosen the knob and fully tilt the carriage to the side that you want to check. Check if the pointer indicates the 45° position in the bevel angle scale.

► **Fig.59**

If the pointer does not indicate the 45° position, align it with 45° position by turning the adjusting bolt on the opposite side of the bevel angle scale.

► **Fig.60:** 1. Left 45° adjusting bolt 2. Right 45° adjusting bolt

Adjusting the laser line position

For model LS1019L only

⚠ WARNING: The tool must be plugged in while adjusting the laser line. Take extra care not to switch on the tool during adjustment. Accidental start up of the tool may result in serious personal injury.

⚠ CAUTION: Never look directly into the laser beam. Direct eye exposure to the beam could cause serious damage to your eyes.

NOTICE: Check the position of laser line regularly for accuracy.

NOTICE: Beware that impacts to the tool. It may cause the laser line to be misaligned or may cause damage to the laser, shortening its life.

NOTICE: Have the tool repaired by a Makita authorized service center for any failure on the laser unit.

The movable range of laser line is decided by the range adjustment screws on both sides. Perform following procedures to alter the laser line position.

1. Unplug the tool.
2. Draw a cutting line on the workpiece and place it on the turn base. At this time, do not secure the workpiece with a vise or similar securing device.
3. Lower the handle and align the cutting line with the saw blade.
4. Return the handle to the original position and secure the workpiece with the vertical vise so that the workpiece does not move from the position you have determined.
5. Plug in the tool and turn on the laser switch.
6. Loosen the adjusting screw. To move the laser line away from the blade, turn the range adjustment screws counterclockwise. To move the laser line close to the blade, turn the range adjustment screw clockwise.

Adjusting the laser line on the left side of the blade

► **Fig.61:** 1. Adjusting screw 2. Range adjustment screw 3. Hex wrench 4. Laser line 5. Saw blade

Adjusting the laser line on the right side of the blade

► **Fig.62:** 1. Adjusting screw 2. Range adjustment screw 3. Hex wrench 4. Laser line 5. Saw blade

7. Slide the adjusting screw to the position that the laser line comes onto the cutting line and then tighten.

NOTE: The movable range of laser line is factory adjusted within 1 mm (0.04") from the side surface of blade.

Cleaning the laser light lens

For model LS1019L only

The laser light becomes hard to see as the lens for the laser light gets dirty. Clean the lens for laser light periodically.

► **Fig.63:** 1. Screw 2. Lens

Unplug the tool. Loosen the screw and pull out the lens. Clean the lens gently with a damp soft cloth.

NOTICE: Do not remove the screw which secures the lens. If the lens does not come out, loosen the screw further.

NOTICE: Do not use solvents or any petroleum-based cleaners on the lens.

Replacing carbon brushes

► **Fig.64:** 1. Limit mark

Remove and check the carbon brushes regularly. Replace when they wear down to the limit mark. Keep the carbon brushes clean and free to slip in the holders. Both carbon brushes should be replaced at the same time. Use only identical carbon brushes. Use a screwdriver to remove the brush holder caps. Take out the worn carbon brushes, insert the new ones and secure the brush holder caps.

► **Fig.65:** 1. Brush holder cap

After replacing brushes, plug in the tool and break in brushes by running tool with no load for about 10 minutes. Then check the tool while running and electric brake operation when releasing the switch trigger. If the electric brake is not working correctly, have the tool repaired by a Makita service center.

After use

After use, wipe off chips and dust adhering to the tool with a cloth or the like. Keep the blade guard clean according to the directions in the previously covered section titled "Blade guard". Lubricate the sliding portions with machine oil to prevent rust.

To maintain product SAFETY and RELIABILITY, repairs, any other maintenance or adjustment should be performed by Makita Authorized or Factory Service Centers, always using Makita replacement parts.

OPTIONAL ACCESSORIES

⚠WARNING: These Makita accessories or attachments are recommended for use with your Makita tool specified in this manual. The use of any other accessories or attachments may result in serious personal injury.

⚠WARNING: Only use the Makita accessory or attachment for its stated purpose. Misuse of an accessory or attachment may result in serious personal injury.

If you need any assistance for more details regarding these accessories, ask your local Makita Service Center.

- Steel & Carbide-tipped saw blades
- Vertical vise
- Horizontal vise
- Crown molding stopper set
- Dust bag
- Triangular rule
- Hex wrench
- Hex wrench (for LS1019L)

NOTE: Some items in the list may be included in the tool package as standard accessories. They may differ from country to country.

规格

型号:		LS1019	LS1019L
锯片直径	欧洲国家	260 mm	
	非欧洲国家	255 mm - 260 mm	
内孔直径	欧洲国家	30 mm	
	非欧洲国家	25.4 mm	
锯片的最大锯槽厚度		3.2 mm	
最大斜接角度		右 60°, 左60°	
最大斜切角度		右 48°, 左48°	
空载速度 (RPM)		3,200/min	
激光型		-	红色激光650 nm, 最高输出 < 1.6 mW (激光等级2M)
尺寸 (长 × 宽 × 高)		805 mm × 644 mm × 660 mm	
净重		26.1 kg	26.3 kg

切割能力 (高 × 宽)

斜接角度	斜切角度		
	45° (左)	0°	45° (右)
0°	42 mm x 310 mm 58 mm x 279mm	68 mm x 310 mm 91 mm x 279 mm	29 mm x 310 mm 43 mm x 279 mm
45° (右和左)	42 mm x 218 mm 58 mm x 197 mm	68 mm x 218 mm 91 mm x 197 mm	29 mm x 218 mm 43 mm x 197 mm
60° (右和左)	-	68 mm x 155 mm 91 mm x 139 mm	-

特定切割的切割能力

切割类型	切割能力
45°顶角线 (使用顶角线止动器)	168 mm
踢脚板 (使用水平虎钳)	133 mm

- 生产者保留变更规格不另行通知之权利。
- 规格可能因销往国家之不同而异。
- 重量符合EPTA-Procedure 01/2014

符号

以下显示本工具使用的符号。在使用工具之前请务必理解其含义。



阅读使用说明书。



II类工具



为了避免飞溅的碎片造成人身伤害，切割后请保持锯片头朝下，直至锯片完全停止。



执行斜切角切割时，先逆时针转动旋钮，再倾斜刀架。然后再顺时针转动旋钮以固定。



进行滑动切割时，请首先将刀架完全拉向自身并向下按压把手，然后将刀架推导向板导板。



向右倾斜刀架时按住释放按钮。



以45°斜接角度切割踢脚板时，请使用止动杆。



请勿将手或手指靠近锯片。



切勿直视激光束。直视激光束会对您的眼睛造成伤害。



请勿向着斜切角切割的相同方向安装水平虎钳。（该符号适用于水平虎钳）



仅限于欧盟国家
请勿将电气设备与家庭普通废弃物一同丢弃！请务必遵守欧洲关于废弃电子电气设备的指令，根据各国法律法规执行。达到使用寿命的电气设备必须分类回收至符合环境保护规定的再循环机构。

用途

本工具用于木材中精确的笔直和斜接角切割。也可使用适当的锯片切割铝材。

电源

本工具只可连接电压与铭牌所示电压相同的电源，且仅可使用单相交流电源。本工具双重绝缘，因此也可用于不带接地线的插座。

安全警告

电动工具通用安全警告

警告： 阅读随电动工具提供的所有安全警告、说明、图示和规定。不遵照以下所列说明会导致电击、着火和/或严重伤害。

保存所有警告和说明书以备查阅。

警告中的术语“电动工具”是指市电驱动（有线）电动工具或电池驱动（无线）电动工具。

工作场地的安全

1. 保持工作场地清洁和明亮。杂乱和黑暗的场地会引发事故。
2. 不要在易爆环境，如有易燃液体、气体或粉尘的环境下操作电动工具。电动工具产生的火花会点燃粉尘或气体。
3. 操作电动工具时，远离儿童和旁观者。注意力不集中会使你失去对工具的控制。

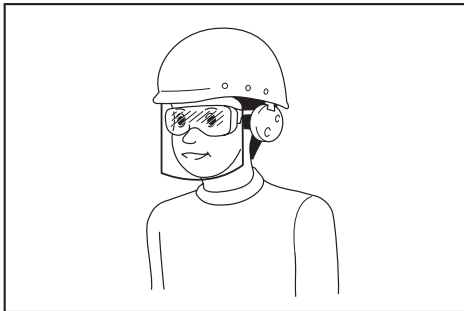
电气安全

1. 电动工具插头必须与插座相配。绝不能以任何方式改装插头。需接地的电动工具不能使用任何转换插头。未经改装的插头和相配的插座将降低电击风险。
2. 避免人体接触接地表面，如管道、散热片和冰箱。如果你身体接触接地表面会增加电击风险。
3. 不得将电动工具暴露在雨中或潮湿环境中。水进入电动工具将增加电击风险。
4. 不得滥用软线。绝不能用软线搬运、拉动电动工具或拔出其插头。使软线远离热源、油、锐边或运动部件。受损或缠绕的软线会增加电击风险。
5. 当在户外使用电动工具时，使用适合户外使用的延长线。适合户外使用的电线将降低电击风险。
6. 如果无法避免在潮湿环境中操作电动工具，应使用带有剩余电流装置（RCD）保护的电源。RCD的使用可降低电击风险。
7. 始终建议通过额定剩余电流为30 mA或以下的RCD来使用电源。
8. 电动工具会产生对用户无害的电磁场（EMF）。但是，起搏器和其他类似医疗设备的用户应在操作本电动工具前咨询其设备的制造商和/或医生寻求建议。
9. 请勿用湿手触摸电源插头。

10. 如果导线破损，则由制造商或其代理商更换以避免安全隐患。

人身安全

1. 保持警觉，当操作电动工具时关注所从事的操作并保持清醒。当你感到疲倦，或在有药物、酒精或治疗反应时，不要操作电动工具。在操作电动工具时瞬间的疏忽会导致严重人身伤害。
2. 使用个人防护装置。始终佩戴护目镜。防护装置，诸如适当条件下使用防尘面具、防滑安全鞋、安全帽、听力防护等装置能减少人身伤害。
3. 防止意外启动。在连接电源和/或电池包、拿起或搬运工具前确保开关处于关闭位置。手指放在开关上搬运工具或开关处于接通时通电会导致危险。
4. 在电动工具接通之前，拿掉所有调节钥匙或扳手。遗留在电动工具旋转零件上的扳手或钥匙会导致人身伤害。
5. 手不要过分伸展。时刻注意立足点和身体平衡。这样能在意外情况下能更好地控制住电动工具。
6. 着装适当。不要穿宽松衣服或佩戴饰品。让你的头发和衣服远离运动部件。宽松衣服、佩饰或长发可能会卷入运动部件。
7. 如果提供了与排屑、集尘设备连接用的装置，要确保其连接完好且使用得当。使用集尘装置可降低尘屑引起的危险。
8. 不要因为频繁使用工具而产生的熟悉感而掉以轻心，忽视工具的安全准则。某个粗心的动作可能在瞬间导致严重的伤害。
9. 使用电动工具时请始终佩带护目镜以免伤害眼睛。护目镜须符合美国ANSI Z87.1、欧洲EN 166或者澳大利亚 / 新西兰的AS/NZS 1336的规定。在澳大利亚 / 新西兰，法律要求佩带面罩保护脸部。



雇主有责任监督工具操作者和其他近工作区域人员佩带合适的安全防护设备。

电动工具使用和注意事项

1. 不要勉强使用电动工具，根据用途使用合适的电动工具。选用合适的按照额定值设计的电动工具会使你工作更有效、更安全。
2. 如果开关不能接通或关断电源，则不能使用该电动工具。不能通过开关来控制的电动工具是危险的且必须进行修理。
3. 在进行任何调节、更换附件或贮存电动工具之前，必须从电源上拔掉插头和/或卸下电池包（如可拆卸）。这种防护性的安全措施降低了电动工具意外起动的风险。
4. 将闲置不用的电动工具贮存在儿童所及范围之外，并且不允许不熟悉电动工具和不了解这些说明的人操作电动工具。电动工具在未经培训的使用者手中是危险的。
5. 维护电动工具及其附件。检查运动部件是否调整到位或卡住，检查零件破损情况和影响电动工具运行的其他状况。如有损坏，应在使用前修理好电动工具。许多事故是由维护不良的电动工具引发的。
6. 保持切削刀具锋利和清洁。维护良好地有锋利切削刃的刀具不易卡住而且容易控制。
7. 按照使用说明书，并考虑作业条件和要进行的作业来选择电动工具、附件和工具的刀头等。将电动工具用于那些与其用途不符的操作可能会导致危险情况。
8. 保持手柄和握持表面干燥、清洁，不得沾有油脂。在意外的情况下，湿滑的手柄不能保证握持的安全和对工具的控制。
9. 使用本工具时，请勿佩戴可能会缠绕的布质工作手套。布质工作手套卷入移动部件可能会造成人身伤害。

维修

1. 由专业维修人员使用相同的备件维修电动工具。这将保证所维修的电动工具的安全。
2. 上润滑油及更换附件时请遵循本说明书指示。

斜断锯安全注意事项

1. 斜断锯用于切割木材或仿木产品，不可使用切割砂轮来切割铁质材料，例如钢筋、铁棒和板墙筋等。磨屑导致下部保护罩等运动部件卡滞。砂轮切割产生的火花会烧灼下部保护罩、锯槽嵌入物等塑料部件。
2. 如果可行的话，请使用夹具固定工件。用手固定工件时，双手与锯片两侧至少要保持**100 mm**以上的距离。切勿使用该锯切割体积太小难以夹紧或难以手持的工件。如果手距离锯片过近，会增加与锯片接触导致受伤的风险。
3. 工件必须固定和夹紧或紧紧抵住导板和工作台。切勿以任何方式将工件向锯片递送或徒手切割。未固定或移动的工件在高速切割时会被甩出，导致人身伤害。
4. 按压锯片穿过工件。切勿抬起锯片穿过工件。要进行切割，请在不切割的状态下提起锯片头，将其拉到工件上方，启动电机，向下按压锯片头使锯片穿过工件。切割过程中抬起锯片会导致锯片爬上工件，致使锯片组件被猛烈甩向操作人员。
5. 切勿将手放在锯片前后所需切割线的上方。以“双手交叉”（左手握持锯片右边部分的工件或右手握持锯片左边部分的工件）的方式固定工件十分危险。
- ▶ 图片1
6. 锯片在旋转时，如需清理木屑或出于其他原因触碰导向板时双手与锯片两侧至少要保持**100 mm**以上的距离。旋转的锯片可能会在较难觉察的情况下接近双手，导致严重的人身伤害。
7. 切割前请检查工件。如果工件弯曲或扭曲，将弯曲面的外侧朝向导板将其夹住。务必始终确保工件、导板和工作台之间在切割线上没有间隙。弯曲或扭曲的工件会扭动或晃动，切割时会对旋转的锯片产生阻力。工件上不得有铁钉等异物。
8. 清理干净工作台上除工件以外的任何其他工具、木屑后方可使用锯片。小碎片或松动的木头片等其他异物接触到旋转的锯片时会被高速甩出。
9. 一次仅可切割一个工件。多个工件堆叠无法被充分夹紧或获得良好支撑，切割期间会对锯片产生阻力或移位。
10. 使用前，确保在水平、稳固的物体表面安装或放置斜断锯。水平、稳固的工作表面会降低斜断锯变得不稳定的风险。
11. 做好施工计划。每次改动偏转角或斜切角设置的时候，要确保正确设置可调式导板使其支撑工件且不会干扰锯片或保护罩系统。在不打开工具开关且台面上没有工件的情况下，移动锯片模拟进行一次完全切割，确保不存在干扰或切割导板的危险。
12. 对于长度或宽度超过工作台的工件，请通过延展工作台、锯木架等方式给予充分支撑。如果未获得充分支撑，长度或宽度超过斜断锯工作台的工件会翻转。如果切块或工件翻转，它会抬起下部保护罩或被旋转的锯片甩出。
13. 切勿让他人作为助手替代延展工作台或令其对工件进行额外支撑。工件支撑不稳定会导致切割操作期间锯片卡滞或工件移位，将操作人员和助手拉向旋转的锯片。
14. 切下的切块不可以任何形式挤压旋转的锯片。如果受到限制，也即使用纵向制动器，切块会挤住锯片并被猛烈甩出。
15. 对于圆棒或圆管等圆形材料，请使用夹具或专用固定装置来进行充分固定。圆棒在切割时存在滚动的趋势，导致刀片被“咬住”，请用手将工件拉入锯片。
16. 操作锯片接触工件前，请使其达到全速。此举可降低工件被甩出的风险。
17. 如果工件或锯片被卡住，请关闭斜断锯。等到所有移动的部件停止，然后断开电源插头和/或取下电池组。然后再处理卡住的材料。如果在工件被卡住的情况下继续切割，则会导致斜断锯失控或受损。
18. 结束切割后，松开开关，使锯片头保持向下，等待锯片完全停止后再移除切块。双手靠近仍在转动的锯片是十分危险的。
19. 进行不完全切割或在锯片头完全插入下方之前松开开关时，请紧握把手。锯片的制动操作会导致锯片头被猛地向下拉动，存在人身伤害风险。
20. 仅使用工具上所标示或说明书中所规定直径的锯片。使用尺寸不正确的锯片可能会影响锯片的正确保护或保护罩的操作，从而导致严重的人身伤害。
21. 仅使用所标示的速度等于或大于工具上所标示的速度的锯片。
22. 请勿使用该锯切割木材、铝材或类似材料之外的其他材料。
23. （仅限欧洲国家）
仅可使用符合**EN847-1**标准的锯片。


其它注意事项

1. 请使用挂锁避免儿童进入车间。
2. 切勿踩踏工具。如果工具翻倒或意外接触到切割工具，可能会导致严重的人身伤害。
3. 切勿使工具在无人照看的情况下运行。关闭电源。切勿在工具完全停止前离开工具。
4. 请勿在保护罩未安装到位时操作本锯。在每次使用之前请检查锯片保护罩是否正确闭合。如果锯片保护罩无法自由移动和快速闭合，则请勿使用该锯。切勿将锯片保护罩置于打开位置。
5. 请勿将手放在锯片移动路线上。请勿接触仍在转动的锯片。否则会造成严重伤害。
6. 为减少受伤风险，请在每次横切操作后将刀架完全返回靠后的位置。
7. 搬动工具前请务必固定好所有可以移动的部件。
8. 将锯片头锁在下位的止动销仅用于搬运和贮存的目的，而不适用于任何切割操作。
9. 操作之前，请仔细检查锯片上是否有裂缝或损坏。应立即更换有裂缝或损坏的锯片。卡滞在锯片上变硬的树脂和木沥青会使该锯的速度变慢，并增加反弹的可能性。因此，请先将锯片从工具上拆下，然后使用树脂和沥青清洁剂、热水或煤油进行清洁。保持锯片清洁。切勿使用汽油清洁锯片。
10. 进行滑动切割时，可能会出现反弹。当锯片在切割期间受工件卡滞时会发生反弹，锯片会快速弹向操作人员。会导致失控和严重的人身伤害。如果锯片在操作期间卡滞，切勿继续切割，此时应立即松开开关。
11. 请仅使用本工具指定的法兰。
12. 请小心勿损坏主轴、法兰（尤其是安装表面）或螺栓。这些部件的损坏可能会导致锯片破裂。
13. 确保翻转基座已正确固定，使其在操作期间不会移动。使用基板上的孔将锯片紧固到稳定的工作台或工作架上。操作人员切不可在所处位置不当时使用工具。
14. 打开开关前，请确保松开轴锁。
15. 确保锯片不会在最下位置接触到翻转基座。
16. 请紧握把手。请注意在启动和停止期间锯片会轻微地上下移动。
17. 打开开关前，请确认锯片未与工件接触。
18. 在实际的工件上使用工具之前，请先让工具空转片刻。请注意，振动或摇摆可能表示安装不当或刀片不平衡。
19. 若发现有任何异常请立即停止操作。
20. 请勿试图将开关扳机锁定在“开启”位置。
21. 请务必使用本说明书中建议的附件。使用砂轮等不适用的附件可能会导致人身伤害。
22. 某些材料含有有毒化学物质。小心不要吸入粉尘，并避免皮肤接触。遵循材料供应商的安全提示。

激光的补充安全规则

1. 存在激光辐射，切勿直视激光束或使用2M类激光的光学设备。

请保留此说明书。

 **警告：** 请勿为图方便或因对产品足够熟悉（由于重复使用而获得的经验）而不严格遵循相关产品安全规则。使用不当或不遵循使用说明书中的安全规则会导致严重的人身伤害。

部件说明

► 图片2

1	滑杆	2	止动销（用于刀架滑动）	3	垂直虎钳	4	释放按钮（用于右侧斜切角）
5	固定夹	6	翻转基座	7	指针（用于斜接角度）	8	斜接角度刻度
9	锯槽板	10	锯片罩壳	11	调节螺丝（用于激光线）	12	量程调节螺丝（用于激光线）
13	锯片保护罩	14	旋钮（用于调整斜切角度）	15	六角扳手	16	调节螺丝（用于下限位置）
17	调节螺栓（用于最大切割能力）	18	止动臂	19	锁定杆（用于翻转基座）	20	释放杆（用于翻转基座）
21	把手（用于翻转基座）	-	-	-	-	-	-

► 图片3

1	开关扳机	2	锁止按钮	3	挂锁孔	4	开关（用于激光线）
5	软管（用于除尘）	6	止动销（用于刀架升降）	7	导板导向板（下部导板）	8	导板导向板（上部导板）
9	集尘袋	10	0°调节螺栓（用于斜切角度）	11	斜切角度刻度	12	释放杆（用于48°斜角）
13	插销杆（用于斜角）	14	指针（用于斜角）	15	45°调节螺栓（用于斜切角度）	-	-

安装

安装把手

将把手的螺纹轴拧入翻转基座。

► 图片4: 1. 把手 2. 翻转基座

安装除尘软管

如图所示，将除尘软管连接到工具。确保弯头和套管正确插入工具的端口。

► 图片5: 1. 除尘软管 2. 弯管 3. 套筒 4. 端口

要从端口移除弯管，请在按住锁定按钮的同时拉动弯管。

► 图片6: 1. 锁定按钮 2. 弯管

工作台安装

工具出厂时，把手由止动销锁定在较低位置。轻轻按下把手的同时，拉动止动销并旋转90°。

► 图片7: 1. 锁定位置 2. 解锁位置 3. 止动销

该工具应该用四个螺栓穿过工具基座上的螺栓孔将其固定在一个平坦稳定的表面。这样可以防止机器倾覆而可能导致的人身伤害。

► 图片8: 1. 螺栓

警告： 确保工具不会在支撑面上移动。切割期间在支撑面上移动斜断锯可能会导致工具失控和严重的人身伤害。

功能描述

警告： 在调节或检查工具功能之前，请务必关闭工具电源开关并拔下电源插头。未关闭电源并拔下电源插头可能会使工具意外启动，导致严重的人身伤害。

锯片保护罩

► **图片9：** 1. 锯片保护罩

降下把手时，锯片保护罩会自动升起。当完成切割抬起把手时，弹簧加力的保护罩会回到原来的位置。

警告： 请勿废弃或移除锯片保护罩或者保护罩上的弹簧。由于废弃保护罩而使锯片暴露在外会在操作期间导致严重的人身伤害。

为了您的个人安全，请务必保持锯片保护罩处于良好状态。应立即纠正对于锯片保护罩的任何违规操作。检查确认保护罩的弹簧可正常工作。

警告： 如果锯片保护罩或弹簧已被损坏，出现故障或被移除，请勿使用该工具。在保护罩被损坏、出现故障或被移除的情况下操作工具可能会导致严重的人身伤害。

如果透明锯片保护罩变脏，或者锯屑附着在保护罩上，以至无法看清锯片或工件，请断开电锯电源，并用湿布认真清洁保护罩。请勿使用溶剂或石油类清洁剂来清洁塑料保护罩，否则会损坏保护罩。

如果锯片保护罩特别脏，无法透过保护罩看清锯片，请拔下工具电源使用附带的扳手拧松固定中心盖板的六角螺栓。按逆时针方向拧松六角螺栓，并抬起锯片保护罩和中心盖板。如此定位锯片保护罩，可以更彻底和高效地完成清洁。清洁完成后，按与上面相反的步骤操作，拧紧螺栓。请勿移除固定锯片保护罩的弹簧。如果保护罩由于老化或紫外线照射而变色，请与Makita（牧田）服务中心联系，更换新的保护罩。请勿废弃或移除保护罩。

► **图片10：** 1. 中心盖板 2. 六角扳手 3. 锯片保护罩

锯槽板

本工具在翻转基座上配有锯槽板，以最大程度地减少切割边破裂的情况。锯槽板在出厂时就已经调节好，所以锯片不会碰到锯槽板。使用前，请按以下说明调节锯槽板：

► **图片11：** 1. 锯槽板

► **图片12：** 1. 左斜切角切割 2. 直线切割 3. 右斜切角切割 4. 锯片 5. 锯齿 6. 锯槽板

首先，请拔下工具的电源插头。将所有固定锯槽板的螺丝（左右各2个）拧松到可以轻易用手移动的程度。将把手完全降下，拉动并旋转止动销将把手锁定在较低的位置。松开滑杆上的止动销然后将刀架朝自身方向拉到位。调节锯槽板，以使锯槽板刚好碰到锯齿的两侧。拧紧前面的螺丝（不要拧死）。将刀架充分推向导轨导向板，调节锯槽板使锯槽刚好碰到锯齿的两侧。拧紧后面的螺丝（不要拧死）。

调整好锯槽板之后，松开止动销，抬起把手。然后牢牢紧固所有的螺丝。

注意： 设定斜切角度后确保锯槽板已正确调整。校正锯槽板的调整有助于为工件提供合适的支撑，最小化工件破损的几率。

保持最大切割能力

该工具在出厂已调节好，用255 mm或260 mm锯片提供最大切割能力。

安装新锯片时，请随时检查锯片的下限位置，如果有必要，按以下说明调节：

首先，请拔下工具的电源插头。将止动杆旋转至啮合位置。

► **图片13：** 1. 止动杆

把刀架充分推向导轨导向板并完全降下把手。

使用六角扳手旋转调节螺栓来调节锯片位置。锯片边缘应略低于翻转基座的顶面，且导轨导向板与翻转底座的顶面接触。

► **图片14：** 1. 调节螺栓

► **图片15：** 1. 翻转基座的顶面 2. 锯片边缘 3. 导轨导向板

在工具未通电的情况下，用手旋转锯片，同时完全降下把手确保锯片不会接触到下面基座的任何部分。如有必要请重新略作调节。调节完成后，请使止动杆返回到原来的位置。

警告： 在安装完新锯片并拔下工具的电源插头后，必须确保在把手完全降下时，锯片不会碰到下基座的任何部件。如果锯片碰到基座则可能造成反弹和严重的人身伤害。

止动臂

锯片的下限位置可以轻易用止动臂来调节。如需调节，请按图示沿箭头方向旋转止动臂。旋转调节螺丝，使锯片在完全降下把手时停在所需的位置。

► **图片16:** 1. 止动臂 2. 调节螺丝

调节斜接角度

小心： 在改变斜接角度后，请将把手牢固拧紧以锁住翻转基座。

注意： 当转动翻转基座时，请确保将把手充分抬起。

► **图片17:** 1. 锁定杆 2. 把手 3. 释放杆 4. 指针

逆时针方向旋转把手以解锁翻转基座。按下锁定杆的同时旋转把手以移动翻转基座。使指针指向角度规上的所需角度，然后拧紧把手。

注： 如果按下释放杆，可以在不按下锁定杆的情况下移动翻转基座。在所需位置紧固把手。

斜断锯具备前挡块功能。您可以快速设置0°、15°、22.5°、31.6°、45°和60°左/右斜接角度。要使用该功能，请在按压锁定杆的同时移动翻转基座，使其靠近所需前挡块角度。然后释放锁定杆，并向所需前挡块角度移动翻转基座，直至翻转基座锁定。

调节斜切角度

注意： 调节斜切角度时，务必移除上导板和垂直虎钳。

注意： 在改变斜切角度时，请确保按“锯槽板”部分说明的那样调整好锯槽板的位置。

注意： 当倾斜锯片时，请确保将把手充分抬起。

注意： 请勿过分拧紧旋钮。否则会导致斜切角度的锁定机构故障。

1. 逆时针旋转滑杆上的旋钮。

► **图片18:** 1. 旋钮

2. 拉动并旋转插销杆至图示位置。

► **图片19:** 1. 插销杆

3. 通过移动刀架使指针指向角度规上的所需角度，然后拧紧旋钮。

► **图片20:** 1. 斜切角度刻度 2. 指针

向右倾斜刀架时，请在按压释放按钮的同时将刀架稍微向左倾斜，然后再将其向右倾斜。

► **图片21:** 1. 释放按钮

如要进行超过45°的斜切角切割，请在向工具前端滑动释放杆的同时移动刀架。最高可以进行48°斜切角切割。

► **图片22:** 1. 释放杆

斜断锯具备前挡块功能。可以快速设定左右两边22.5°和33.9°角。将插销杆放在图示位置并倾斜刀架。要更改角度，请拉动插销杆并倾斜刀架。

► **图片23:** 1. 插销杆

小心： 更改斜切角度后，务必紧固旋钮。

滑动锁定

要锁定刀架使其不滑动，请向导板导向板推动刀架直至其停止。拉动止动销并旋转90°。

► **图片24:** 1. 解锁位置 2. 锁定位置 3. 止动销

开关操作

警告： 插上工具电源插头之前，请务必确认开关扳机能够正常工作，松开时能回到“关闭”位置。在没有按下锁止按钮的情况下请勿用力扣动开关扳机。这样可能导致开关破损。若工具上的开关无法正常工作，将可能导致工具失控或严重的人身伤害。

警告： 请勿使用开关扳机失灵的工具有。开关扳机失灵的工具有是极其危险的，必须维修过后才能使用，否则会导致严重的人身伤害。

警告： 切勿通过封住锁止按钮或其他方法来弃用锁止按钮。在弃用开关锁止按钮的情况下使用工具时可能会出现意外运行的情况并导致严重的人身伤害。

警告： 如果您只是扣动开关扳机而没有按下锁止按钮时，工具即开始运行，则切勿使用此工具。在开关需要维修的情况下使用工具时可能会出现意外运行的情况并导致严重的人身伤害。在进一步使用该工具之前，请将其送回Makita（牧田）维修中心进行正确的修理。

- **图片25:** 1. 开关扳机 2. 锁止按钮
3. 挂锁孔

为避免使用者不小心扣动开关扳机，本工具采用锁止按钮。要启动工具时，按下锁止按钮，然后扣动开关扳机即可。松开开关扳机工具即停止。

开关扳机上留有一个孔供插入挂锁，可将工具锁定为关闭状态。

警告： 请勿使用带有直径小于6.35 mm (1/4") 的把手或钢索的锁。较小的把手或钢索无法正确将工具锁定在关闭位置，可能会出现意外运行的情况并导致严重的人身伤害。

电子功能

恒速控制

工具配备了电子速度控制功能，即使在有负载情况下，也可以保持锯片的恒定转速。锯片的恒定转速可实现顺畅的切割。

软启动功能

该功能可限制启动转矩，实现工具的顺利启动。

激光束动作

仅适用于LS1019L型

小心： 切勿直视激光束。直视激光束会对您的眼睛造成伤害。

若要打开激光束，按开关上部（I）。若要关闭激光束，按开关下部（O）。

- **图片26:** 1. 激光开关

如下旋转调节螺丝，可以将激光线移至锯片的左边或右边。

- **图片27:** 1. 调节螺丝

1. 逆时针方向转动以拧松调节螺丝。
2. 拧松调节螺丝后，将调节螺丝最大限度地向左或向右滑动。
3. 在调节螺丝停止滑动的地方将其拧紧。

注： 激光线在出厂时就已调节好，在距锯片（切割位置）侧面1 mm以内。

注： 当由于太阳光直射的原因，激光线显得暗淡或难以看到时，请将工作地点转移至直射太阳光较少的地方。

对齐激光线

对齐工件上的切割线与激光线。

- **图片28**

- A) 如果需要在工件的左边获得正确尺寸，将激光线移到锯片的左边。
B) 如果需要在工件的右边获得正确尺寸，将激光线移到锯片的右边。

注： 复合切割中（斜切角度45°，斜接角度右45°），在导板导向板这边调准切割线与激光线时，使用木衬片抵住导板导向板。

装配

警告： 对工具进行任何操作前请务必确认机器已关闭且已拔下电源插头。未关闭电源并拔下工具插头可能会导致严重的人身伤害。

六角扳手的存放

不使用时，请如图所示贮存六角扳手以防丢失。

- **图片29:** 1. 六角扳手

拆卸和安装锯片

警告： 在安装或拆下锯片之前，请务必确认工具开关已关闭并且已将电源插头拔下。意外启动工具可能会导致严重的人身伤害。

警告： 请仅使用随附的Makita（牧田）扳手来安装或拆卸锯片。否则可能会导致内六角螺栓安装过紧或者较松和严重的人身伤害。

拆卸或安装锯片时，请务必在抬起位置锁定刀架。在刀架抬起的情况下拉动止动销并旋转90°。

- **图片30：** 1. 解锁位置 2. 锁定位置
3. 止动销

拆下锯片

用六角扳手拧松固定中心盖板的内六角螺栓。抬起锯片保护罩和中心盖板。

- **图片31：** 1. 中心盖板 2. 六角扳手 3. 锯片保护罩

按下轴锁锁定主轴，用六角扳手拧松内六角螺栓。然后拆下内六角螺栓、外法兰盘和锯片。

- **图片32：** 1. 轴锁 2. 六角扳手 3. 内六角螺栓（左手） 4. 拧松 5. 拧紧

安装锯片

安装锯片时，小心地将其安装在主轴上，确保锯片表面上的箭头方向与锯片基座上的箭头方向相吻合。

- **图片33：** 1. 锯片基座上的箭头 2. 锯片上的箭头

安装外法兰盘和内六角螺栓。在向下按轴锁的同时，使用六角扳手逆时针转动紧固内六角螺栓。

- **图片34：** 1. 内六角螺栓 2. 外法兰盘 3. 锯片 4. 内法兰盘 5. 主轴 6. 挡圈

注意： 如果把内法兰盘拆下，请确保其安装到主轴上时凸起部分朝向远离锯片。如果法兰安装不正确，则法兰会与机器产生摩擦。

将锯片保护罩和中心盖板放回原来的位置。然后按顺时针方向拧紧六角螺栓以紧固中心盖板。解锁止动销以从抬起位置释放刀架。降下把手确保锯片保护罩正常移动。请确保切割前轴锁已松开主轴。

警告： 在把锯片安装到主轴上之前，请确保适用于您想要使用的锯片轴孔的挡圈已被安装到内外法兰盘之间。使用错误的轴孔挡圈可能会导致锯片的安装不正确，运行期间锯片会移动和剧烈振动，工具可能因此失控并造成严重的人身伤害。

连接吸尘器

当您想进行清洁切割操作时，请使用24号前端管口（选购附件）将Makita（牧田）集尘器连接至集尘口。

- **图片35：** 1. 24号前端管口 2. 软管
3. 集尘器

集尘袋

使用集尘袋可使打磨操作更为干净，也可方便地集尘。要连接集尘袋，请拆下工具上的除尘软管并连接集尘袋。

- **图片36：** 1. 除尘软管 2. 集尘袋

当集尘袋已装满一半左右的空间时，从工具上取下集尘袋并拉出紧固装置。倒空集尘袋并轻轻拍打以去除附着在集尘袋内壁的碎屑，以便再次使用。

- **图片37：** 1. 紧固装置

固定工件

警告： 始终用适当类型的虎钳或顶角线止动器正确固定工件极其重要。否则可能会导致严重的人身伤害、工具和/或工件受损。

警告： 切割完成后，切勿在锯片完全停止转动前抬起锯片。抬起还在转动的锯片可能会导致严重的人身伤害和工件受损。

警告： 切割长于斜断锯支撑座的工件时，应以相同的高度对超出支撑座的材料完整长度进行支撑，以保持材料水平。正确支撑工件有助于避免锯片收缩以及可能反弹的情况，否则可能会导致严重的人身伤害。请勿仅仅依靠垂直虎钳和水平虎钳来固定工件。较薄的材料易于下陷。全长度地支撑工件以避免锯片收缩以及可能反弹的情况。

- **图片38：** 1. 支撑件 2. 翻转基座

导板导向板

警告： 在操作工具前，请确保上部导板已被牢牢固定住。

警告： 进行斜切角切割之前，请确保在充分降下或抬起把手到任何位置以及最大程度地移动刀架时，没有工具部件（尤其是锯片）接触到上下导板。工具或锯片接触到导板可能会导致反弹或材料的意外移动以及严重的人身伤害。

使用上导板支撑高于下导板的材料。将上导板插入下导板上的孔内，然后拧紧夹紧螺丝。

► **图片39：** 1. 上导板 2. 下导板 3. 夹紧螺丝 4. 调节螺丝

注意： 出厂时下导板固定在基座上。请勿拆下下导板。

注意： 如果在紧固夹紧螺丝后上导板仍松动，请旋转调节螺丝以闭合缝隙。调节螺丝已在出厂时调节。除非必要，否则无需使用。

不用时可将上导板存放在固定夹上。使用上下导板上的夹子将其固定在固定夹上。

► **图片40：** 1. 固定夹 2. 上导板 3. 夹子

垂直虎钳

警告： 在所有操作过程中，工件都必须用虎钳牢牢地固定在翻转基座和导板导向板上。如果工件未正确固定在导向板上，在切割操作期间材料可能会移动，并可能导致锯片受损，引起材料飞溅和失控，造成严重的人身伤害。

► **图片41：** 1. 虎钳臂 2. 虎钳杆 3. 夹紧螺丝 4. 虎钳旋钮

垂直虎钳可以安装在基座的左、右两侧的任意一侧。把虎钳杆插入基座上的孔中。

根据工件的厚度和形状调节虎钳臂的位置，然后拧紧螺丝固定虎钳臂。如果夹紧螺丝碰到刀架，则将其装在虎钳臂的另一侧。确保在充分降下把手时，没有工具部件碰到虎钳。否则，应重新调节虎钳的位置。

把工件平放按住抵在导板导向板和翻转基座上。调节工件到期望的切割位置，拧紧虎钳旋钮将其牢牢固定住。

注： 为方便快速调节工件位置，请将虎钳旋钮按逆时针旋转至90°能使虎钳旋钮上下移动。调节好工件位置后，可按顺时针方向旋转虎钳旋钮来固定工件。

水平虎钳

选购附件

警告： 工件被正确固定之前，请务必顺时针旋转虎钳螺母。如果工件没有牢牢固定，则切割操作期间材料可能会移动并导致锯片受损，材料被抛出，工具失控，从而造成严重的人身伤害。

警告： 在导板上切割较薄的工件时，比如踢脚板，请使用水平虎钳。

小心： 当切割厚度为20 mm或以下的工件时，确保使用垫块固定工件。

水平虎钳可以安装在基座的左、右两侧的任意一侧。执行22.5°或更大角度的斜接角切割时，请在与翻转基座转动方向相对的一侧安装水平虎钳。

► **图片42：** 1. 虎钳板 2. 虎钳螺母 3. 虎钳旋钮

逆时针转动虎钳螺母，虎钳即被松开，并快速地内外移动。若要固定工件，向前推动虎钳旋钮，直到虎钳板接触工件，再顺时针转动虎钳螺母。然后按顺时针方向拧动虎钳旋钮将工件固定住。

注： 水平虎钳可固定工件的最大宽度为228 mm。

支架

警告： 请保持较长工件与翻转基座的顶面齐平，以便准确切割同时避免工具失控的危险。正确支撑工件有助于避免锯片收缩以及可能反弹的情况，否则可能会导致严重的人身伤害。

要水平固定较长的工件，工具的两侧都配备了固定夹。松开螺丝并拉伸固定夹至合适长度以固定工件。然后拧紧螺丝。

► **图片43：** 1. 固定夹 2. 螺丝

操作

警告： 打开开关前，请确认锯片未与工件等接触。在锯片接触到工件的情况下开启工具可能会导致反弹和严重的人身伤害。

警告： 切割完成后，切勿在锯片完全停止转动前抬起锯片。抬起还在转动的锯片可能会导致严重的人身伤害和工件受损。

警告： 锯片旋转时切勿执行任何调节，例如旋转工具上的把手、旋钮和杆。在锯片旋转时进行调节可能会导致严重的人身伤害。

注意： 使用前，务必解锁止动销并从降下的位置释放把手。

注意： 切割时，请勿向把手施加过大压力。力度太大可能造成电机超载，降低切割效率。按压把手时的力度只需达到平稳切割便可，但同时应不会明显降低锯片转动速度。

注意： 进行切割时，把手压力要轻柔。如果对把手用力太大或使用侧力，锯片会发生振动，会在工件上留下锯痕，切割的精确度就受到影响。

注意： 在滑动切割中，轻轻地把刀架匀速推向导轨导向板。如果刀架在切割中停止运动，工件会留下锯痕，影响切割的精确性。

按压切割

警告： 执行按压切割时务必锁定刀架的滑动。在不锁定的情况下切割可能会导致反弹和严重的人身伤害。

长度达68 mm宽度达160 mm的工件可以用以下方式进行切割。

► **图片44：1. 止动销**

1. 请向导轨导向板推动刀架直至其停止并将使用止动销将其锁定。
2. 用适当类型的虎钳固定住工件。
3. 将工具电源打开，同时避免电圆锯锯片接触工件，然后等待其转速达到全速，再压低电圆锯锯片。
4. 轻轻压低把手至最低位置来切割工件。
5. 切割完成后，关闭工具电源开关，待电圆锯锯片完全停止运转后，把电圆锯锯片放回其充分抬起的位置。

滑动（推动）切割（较宽工件切割）

警告： 在进行滑动切割时，首先把刀架充分拉向自己，按压把手至最低位置，然后将刀架推向导轨导向板。在刀架没有充分拉向自己的情况下，请勿开始切割。如果在没有充分将刀架拉向您的情况下进行滑动切割，可能会导致意外反弹和严重的人身伤害。

警告： 切勿试图通过将刀架拉向您来进行滑动切割。在切割期间将刀架拉向您可能会导致意外反弹和严重的人身伤害。

警告： 切勿在把手锁定在较低位置的情况下进行滑动切割。

► **图片45：1. 止动销**

1. 解锁止动销，使刀架可以自由滑动。
2. 用适当类型的虎钳固定住工件。
3. 将刀架充分拉向自己。
4. 将工具电源打开，勿让锯片接触工件，并等待其转速达到全速。
5. 向下按压把手，并把刀架推向导轨导向板，穿过工件。
6. 切割完成后，关闭工具电源开关，待锯片完全停止运转后，把锯片放回充分抬起的位置。

斜接角切割

请参考调节斜接角度章节。

斜切角切割

警告： 将锯片设定用于斜切角切割之后，操作工具之前，请确保刀架和锯片可以在预定切割的范围内自由移动。切割操作期间刀架或锯片移动受阻可能会导致反弹和严重的人身伤害。

警告： 进行斜切角切割时，请将手置于锯片的路径之外。切割期间，锯片的角度可能会混淆操作者对实际锯片路径的判断，碰到锯片会导致严重的人身伤害。

警告： 务必等待锯片完全停止，方可将其抬起。斜切角切割期间，切除的碎块可能会黏着在锯片上。如果在锯片仍在旋转的情况下抬起它，则切除的碎块可能会碰到锯片，造成碎片四处飞溅，从而导致严重的人身伤害。

注意：在向下按压把手时，压力要与锯片平行。如果压力与翻转基座垂直，或者切割过程中压力方向改变，则会影响到切割的精确度。

► **图片46**

1. 拆下刀架倾斜方向一侧的上导板。
2. 解锁止动销。
3. 根据斜切角度调节章节中的说明调节斜切角度。然后拧紧旋钮。
4. 用虎钳固定住工件。
5. 将刀架充分拉向自己。
6. 将工具电源打开，勿让锯片接触工件，等待其转速达到全速。
7. 向把手施加与锯片平行的力轻轻地压低把手到最低位置，并将刀架推向导板导向板来切割工件。
8. 切割完成后，关闭工具电源开关。待锯片完全停止运转时，把锯片放回充分抬起的位置。

复合切割

复合切割就是对工件进行斜接角切割的同时对其进行斜切角切割的工序。复合切割可以完成表格中角度的切割。

斜接角度	斜切角度
左和右0° - 45°	左和右0° - 45°

在进行复合切割时，请参考按压切割、滑动（推动）切割、斜接角切割和斜切角切割章节。

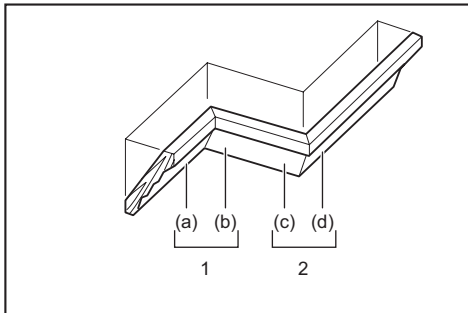
顶角线和拱形饰条切割

将装饰线脚平放在旋转工作台上，用复合斜断机切割顶角线和拱形饰条。

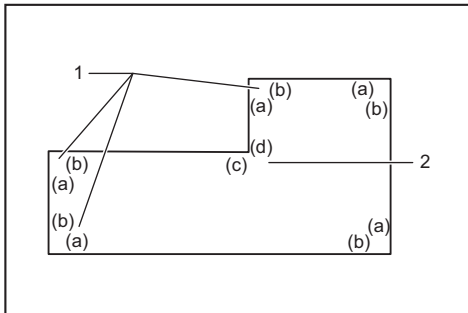
常用的有两种类型的顶角线和一种拱形饰条，即52/38°顶角线、45°顶角线和45°拱形饰条。

- **图片47：** 1. 52/38°顶角线 2. 45°顶角线 3. 45°拱形饰条

有专门为“内”90°墙角（图中（a）和（b））和“外”90°墙角（图中（c）和（d））制作的顶角线和拱形饰条接头。



1. 内角 2. 外角



1. 内角 2. 外角

测量

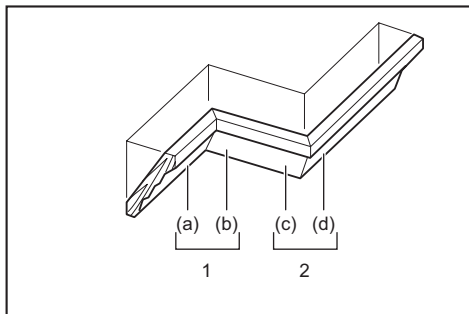
测量墙面宽度并相应调整工件的宽度。要确保工件的墙面接触边的宽度与墙面的长度相同。

- **图片48：** 1. 工件 2. 墙面宽度 3. 工件宽度 4. 墙面接触边

务必使用几块废木材进行测试切割，以检查角度。

顶角线和拱形饰条切割时，按表格（A）设定斜切角度和斜接角度，按表格（B）将饰条在电锯基座顶面的位置调节好。

在左斜切角切割情况下



1. 内角 2. 外角

表格 (A)

—	图中饰条位置	斜切角度		斜接角度	
		52/38° 类型	45° 类型	52/38° 类型	45° 类型
内角	(a)	左 33.9°	左30°	右 31.6°	右 35.3°
	(b)			左 31.6°	左 35.3°
外角	(c)			右 31.6°	右 35.3°
	(d)			左 31.6°	左 35.3°

表格 (B)

—	图中饰条位置	抵住导轨导向板的饰条边	完成部分
内角	(a)	天花板接触边应抵住导轨导向板。	完成部分应位于锯片的左侧。
	(b)	墙面接触边应抵住导轨导向板。	
外角	(c)	天花板接触边应抵住导轨导向板。	完成部分应位于锯片的右侧。
	(d)	墙面接触边应抵住导轨导向板。	

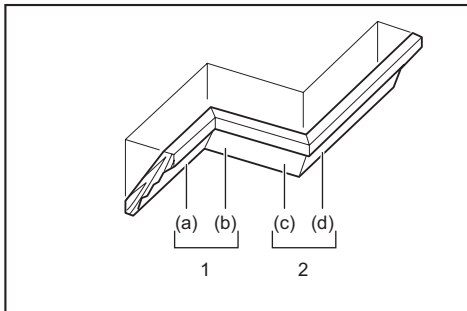
例:

在上图中位置 (a) 的52/38°顶角线切割中:

- 倾斜并固定斜切角度左33.9°。
- 调节并固定斜接角度右31.6°。
- 将顶角线较宽的(隐藏)后表面朝下放在翻转基座上,使天花板接触边抵住电锯上的导轨导向板。

- 切割以后,完成待用的部分总是位于锯片的左侧。

在右斜切角切割情况下



1. 内角 2. 外角

表格 (A)

—	图中饰条位置	斜切角度		斜接角度	
		52/38° 类型	45° 类型	52/38° 类型	45° 类型
内角	(a)	右 33.9°	右30°	右 31.6°	右 35.3°
	(b)			左 31.6°	左 35.3°
外角	(c)			右 31.6°	右 35.3°
	(d)			左 31.6°	左 35.3°

表格 (B)

—	图中饰条位置	抵住导轨导向板的饰条边	完成部分
内角	(a)	墙面接触边应抵住导轨导向板。	完成部分应位于锯片的右侧。
	(b)	天花板接触边应抵住导轨导向板。	
外角	(c)	墙面接触边应抵住导轨导向板。	完成部分应位于锯片的左侧。
	(d)	天花板接触边应抵住导轨导向板。	

例:

在上图中位置 (a) 的52/38°顶角线切割中:

- 倾斜并固定斜切角度右33.9°。
- 调节并固定斜接角度右31.6°。

- 将顶角线较宽的（隐藏）后表面朝下放在翻转基座上，使墙面接触边抵住电锯上的导板导向板。
- 切割以后，完成待用的部分总是位于锯片的右侧。

顶角线止动器

选购附件

使用顶角线止动器，可以不用倾斜锯片，更轻易地完成顶角线切割。如图中所示将它们安装在翻转基座上。

在右45°斜接角度

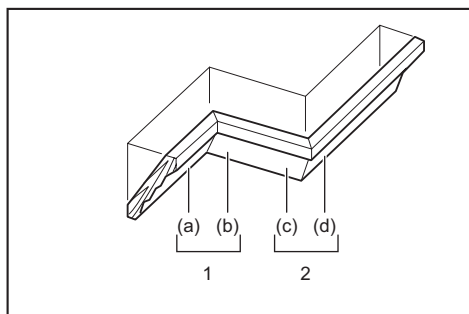
► **图片49:** 1. 左顶角线止动器 2. 右顶角线止动器 3. 翻转基座 4. 导板导向板

在左45°斜接角度

► **图片50:** 1. 左顶角线止动器 2. 右顶角线止动器 3. 翻转基座 4. 导板导向板

如图所示将顶角线墙面接触边抵住导板导向板，天花板接触边抵住顶角线止动器。根据顶角线的尺寸调节顶角线止动器。拧紧螺丝固定顶角线止动器。请参阅斜接角度表格 (C)。

► **图片51:** 1. 导板导向板 2. 顶角线止动器



1. 内角 2. 外角

表格 (C)

—	图中饰条位置	斜接角度	完成部分
内角	(a)	右45°	保留锯片右侧
	(b)	左45°	保留锯片左侧
外角	(c)		保留锯片右侧
	(d)	右45°	保留锯片左侧

切割铝型材

► **图片52:** 1. 虎钳 2. 垫块 3. 导板导向板 4. 铝型材 5. 垫块

固定铝挤压件时，请按照图示放置垫块或废弃木材，防止铝材变形。切割铝挤压件时，请使用切割油，以免铝材堆积在电圆锯锯片上。

警告: 切勿尝试切割较厚或圆形的铝挤压件。较厚或圆形的铝型材难以固定，在切割操作期间可能会变松，从而导致工具失控和严重的人身伤害。

凹槽切割

警告: 请勿使用较宽锯片或刨槽锯片尝试这种类型的切割。试图用较宽锯片或刨槽锯片进行凹槽切割会导致意外的切割效果和反弹，从而造成严重的人身伤害。

警告: 在进行非凹槽切割前，请确保把止动臂放回原来的位置。试图在止动臂处于错误位置的情况下进行切割会导致意外的切割效果和反弹，从而造成严重的人身伤害。

进行刨槽型切割时，请执行以下步骤：

1. 使用调节螺丝调节电圆锯锯片的下限位置，并调节止动臂以限制电圆锯锯片的切割深度。请参阅止动臂章节。

2. 在调节好电圆锯锯片的下限位置后，用滑动（推动）切割方法沿工件宽度切割两条平行凹槽。

► **图片53:** 1. 用锯片切割凹槽

3. 用凿子凿去凹槽中间部分的工件材料。

搬运工具

搬运前，确保拔下电源插头并固定斜断锯上的所有移动部件。务必检查下述各项：

- 工具电源已拔下。
- 刀架处于0°斜切位置并固定。
- 刀架被降下和锁定。
- 刀架完全滑动至导板导向板并锁定。
- 翻转基座位于最大右斜接角位置并固定。
- 固定夹已存放并固定。

双手握住工具基座两侧搬起工具（如图所示）。

► **图片54**

警告： 用于刀架升降的止动销仅用于搬运和贮存的目的，而不用于任何切割操作。将止动销用于切割操作可能会导致锯片意外移动，从而造成反弹和严重的人身伤害。

小心： 搬动工具前请务必固定好所有可以移动的部位。如果在搬动时工具的部位移动或滑动，则工具会失控或失衡，造成人身伤害。

保养

警告： 检查或保养工具之前，请务必关闭工具电源开关并拔下插头。未关闭电源并拔下电源插头可能会使工具意外启动，导致严重的人身伤害。

警告： 为了达到最好最安全的效果，请确保锯片锋利并清洁。试图用较钝和/或较脏的锯片进行切割可能会导致反弹和严重的人身伤害。

注意： 切勿使用汽油、苯、稀释剂、酒精或类似物品清洁工具。否则可能会导致工具变色、变形或出现裂缝。

调节切割角度

该工具在出厂时已经过仔细调节和对齐过，但是使用不细心可能会影响对齐。如果您的工具没有合适地对齐，请进行以下操作：

斜接角度

充分降下把手，使用止动销将其锁定在降下后的位置。将刀架向导板导向板推动。松开固定指针和斜切角度规的把手和螺丝。

► **图片55：** 1. 指针上的螺丝 2. 斜切角度规上的螺丝 3. 等径刻度

使用前挡块功能将翻转基座设到0°位置。利用三角规、直角尺等进行调整，使锯片侧面与导板导向板成直角。保持直角，紧固斜切角度规上的螺丝。之后，将指针（左右两边）指向斜切角度规上的0°位置，然后紧固指针上的螺丝。

► **图片56：** 1. 三角规

斜切角度

0°斜切角度

请向导板导向板推动刀架直至其停止并将使用止动销将其锁定，使其不滑动。充分降下把手，使用止动销将其锁定在降下后的位置然后拧松旋钮。将0°调节螺栓沿逆时针方向旋转两到三周将锯片向右边倾斜。

► **图片57：** 1. 0°调节螺栓 2. 螺丝

小心地顺时针旋转0°调节螺栓，利用三角规、直角尺等进行调整，使锯片侧面与翻转基座顶面成直角。然后拧紧旋钮以固定0°角度。

► **图片58：** 1. 三角规 2. 锯片 3. 翻转基座的顶面

再次检查锯片侧面是否与翻转基座表面成直角。松开指针上的螺丝。将指针指向斜切角度规上的0°位置，然后紧固螺丝。

45°斜切角度

注意： 请在调节好0°斜切角度后调节45°斜切角度。

拧松旋钮并将刀架完全倾斜至需要检查的一侧。检查指针是否指向斜切角度规上的45°位置。

► **图片59**

如果指针不指向45°位置，旋转斜切角度规反方向的调节螺栓使其指向45°位置。

► **图片60：** 1. 左45°调节螺栓 2. 右45°调节螺栓

调节激光线位置

仅适用于LS1019L型

警告： 工具在调节激光线时必须插上电源插头。请务必小心，切勿在调节期间开启工具。意外启动工具可能会导致严重的人身伤害。

小心： 切勿直视激光束。眼睛直接暴露在激光束下会被严重损害。

注意： 定期核查激光线的位置以保证精确度。

注意： 注意对工具的撞击。撞击工具可能会使激光线不对齐，或损坏激光器，缩短其使用寿命。

注意： 若激光元件出现故障，请送至Makita（牧田）授权维修中心维修。

激光线的移动范围由两侧的范围调节螺丝设定。执行以下步骤来交替激光线位置。

1. 拔下工具的电源插头。
2. 在工件上画好切割线并将其放在翻转基座。这时，无须用虎钳或类似固定装置固定工件。
3. 降下把手，将锯片与切割线对齐。
4. 将把手返回原位，使用垂直虎钳固定工件，使工件不会从所需位置移出。
5. 插上工具电源插头，打开激光开关。
6. 拧松调节螺丝。要使激光线离开锯片，请逆时针旋转范围调节螺丝。要使激光线靠近锯片，请顺时针旋转范围调节螺丝。

调节锯片左侧的激光线

- **图片61:** 1. 调节螺丝 2. 范围调节螺丝
3. 六角扳手 4. 激光线 5. 锯片

调节锯片右侧的激光线

- **图片62:** 1. 调节螺丝 2. 范围调节螺丝
3. 六角扳手 4. 激光线 5. 锯片
7. 滑动调节螺丝至激光线在切割线重叠的位置，然后紧固。

注: 激光线的移动范围在出厂时已被调节在距锯片侧面1 mm (0.04") 内。

清洁激光镜片

仅适用于LS1019L型

激光镜片变脏会导致激光线难以看清。定期清洁激光镜片。

- **图片63:** 1. 螺丝 2. 镜片

拔下工具的电源插头。松开螺丝，拉出镜片。使用柔软的湿布轻轻擦拭镜片。

注意: 请勿拆下用来固定镜片的螺丝。如果镜片不出来，将螺丝再拧松一点。

注意: 请勿使用溶剂或石油类清洁剂来清洁镜片。

更换碳刷

- **图片64:** 1. 界限磨耗线

定期拆下碳刷进行检查。在碳刷磨损到界限磨耗线时进行更换。请保持碳刷清洁并使其在碳刷夹内能自由滑动。两个碳刷应同时替换。请仅使用相同的碳刷。

使用螺丝起子拆下碳刷夹盖。取出已磨损的碳刷，插入新的碳刷，然后紧固碳刷夹盖。

- **图片65:** 1. 碳刷夹盖

碳刷更换完毕后，插入工具电源，让工具空载运行10分钟左右以磨合碳刷。然后，在工具运转的过程中检查工具的状态，释放开关扳机检查电动制动器的工作情况。如果电动制动器无法正常工作，请将工具送往Makita（牧田）维修中心进行修理。

使用后

使用后，用布或类似的工具将附着在工具上的碎片和锯屑擦掉。根据前面说明过的“锯片保护罩”部分的指示，保持锯片保护罩清洁。用机油润滑滑动部件防止生锈。

为了保证产品的安全与可靠性，维修、任何其他维修保养或调节需由Makita（牧田）授权的或工厂维修服务中心完成。务必使用Makita（牧田）的替换部件。

选购附件

警告: 这些Makita（牧田）附件或装置专用于本说明书所列的Makita（牧田）电动工具。如使用其他厂牌附件或装置，则可能会导致严重的人身伤害。

警告: 仅可将Makita（牧田）附件或装置用于规定目的。使用附件或装置不当可能会导致严重的人身伤害。

如果您需要了解更多关于这些选购附件的信息，请咨询当地的Makita（牧田）维修服务中心。

- 钢制和硬质合金锯片
- 垂直虎钳
- 水平虎钳
- 顶角线止动器设备
- 集尘袋
- 三角规
- 六角扳手
- 六角扳手（LS1019L型）

注: 本列表表中的一些部件可能作为标准配件包含于工具包装内。它们可能因销往国家之不同而异。

SPEKIFIKASI

Model:		LS1019	LS1019L
Diameter mata pisau	Negara-negara Eropa	260 mm	
	Negara-negara selain Eropa	255 mm - 260 mm	
Diameter lubang	Negara-negara Eropa	30 mm	
	Negara-negara selain Eropa	25,4 mm	
Ketebalan maks. goresan mata gergaji		3,2 mm	
Sudut miter maksimal		Kanan 60°, Kiri 60°	
Sudut siku-siku maksimal		Kanan 48°, Kiri 48°	
Kecepatan tanpa beban (RPM)		3.200 min ⁻¹	
Jenis laser		-	Laser Merah 650 nm, Output maksimal < 1,6mW (Laser Class 2M)
Dimensi (P x L x T)		805 mm x 644 mm x 660 mm	
Berat bersih		26,1 kg	26,3 kg

Kapasitas pemotongan (T x L)

Sudut miter	Sudut siku-siku		
	45° (kiri)	0°	45° (kanan)
0°	42 mm x 310 mm 58 mm x 279mm	68 mm x 310 mm 91 mm x 279 mm	29 mm x 310 mm 43 mm x 279 mm
45° (kanan dan kiri)	42 mm x 218 mm 58 mm x 197 mm	68 mm x 218 mm 91 mm x 197 mm	29 mm x 218 mm 43 mm x 197 mm
60° (kanan dan kiri)	-	68 mm x 155 mm 91 mm x 139 mm	-

Kapasitas pemotongan untuk pemotongan khusus

Jenis pemotongan	Kapasitas pemotongan
Jenis cetakan berbingkai 45° (menggunakan penahan cetakan berbingkai)	168 mm
Papan dasar (menggunakan ragum horizontal)	133 mm

- Karena kesinambungan program penelitian dan pengembangan kami, spesifikasi yang disebutkan di sini dapat berubah tanpa pemberitahuan.
- Spesifikasi dapat berbeda dari satu negara ke negara lainnya.
- Berat menurut Prosedur EPTA 01/2014

Simbol

Berikut ini adalah simbol-simbol yang digunakan pada peralatan ini. Pastikan Anda mengerti makna masing-masing simbol sebelum menggunakan alat.



Baca petunjuk penggunaan.



ISOLASI GANDA



Untuk menghindari cedera akibat debu yang beterbangan, tetap tahan kepala gergaji ke bawah, setelah melakukan pemotongan, sampai mata pisau benar-benar berhenti.



Saat melakukan potongan siku-siku, pertama putar knob berlawanan arah jarum jam dan miringkan pegangan. Kemudian, putar knob searah jarum jam untuk mengencangkan.



Ketika melakukan pemotongan menyerong, pertama tarik mesin secara penuh dan tekan pegangan ke bawah, lalu tekan mesin ke arah pembatas pemandu.



Tahan tombol pelepas ketika memiringkan pegangan ke kanan.



Aktifkan tuas penghenti ketika memotong papan dudukan dengan sudut miter 45°.



Jangan mendekatkan tangan atau jari ke mata pisau.



Jangan melihat langsung cahaya laser. Cahaya laser langsung dapat mencederaikan mata.



Jangan pasang ragum horizontal pada arah yang sama dengan pemotongan sudut miter. (Simbol ini berlaku pada ragum horizontal)



Hanya untuk negara-negara Uni Eropa
Jangan membuang peralatan listrik atau baterai bersama-sama dengan bahan limbah rumah tangga! Dengan memerhatikan Petunjuk Eropa, tentang Limbah Peralatan Listrik dan Elektronik serta pelaksanaannya sesuai dengan ketentuan hukum nasional, peralatan listrik yang telah habis umur pakainya harus dikumpulkan secara terpisah dan dikembalikan ke fasilitas daur ulang yang kompatibel secara lingkungan.

Penggunaan

Mesin ini digunakan untuk memotong kayu secara lurus atau membentuk sudut miter dengan akurat. Dengan mata gergaji yang sesuai, aluminium juga dapat digergaji.

Pasokan daya

Mesin harus terhubung dengan pasokan daya listrik yang bervoltase sama dengan yang tertera pada pelat nama, dan hanya dapat dijalankan dengan listrik AC fase tunggal. Mesin diisolasi ganda dan oleh sebab itu dapat dihubungkan dengan soket tanpa kabel.

PERINGATAN KESELAMATAN

Peringatan keselamatan umum mesin listrik

⚠️ PERINGATAN: Bacalah semua peringatan keselamatan, petunjuk, ilustrasi dan spesifikasi yang disertakan bersama mesin listrik ini. Kelalaian untuk mematuhi semua petunjuk yang tercantum di bawah ini dapat menyebabkan sengatan listrik, kebakaran dan/atau cedera serius.

Simpanlah semua peringatan dan petunjuk untuk acuan di masa depan.

Istilah "mesin listrik" dalam semua peringatan mengacu pada mesin listrik yang dijalankan dengan sumber listrik jala-jala (berkabel) atau baterai (tanpa kabel).

Keselamatan tempat kerja

1. **Jaga tempat kerja selalu bersih dan berpenerangan cukup.** Tempat kerja yang berantakan dan gelap mengundang kecelakaan.

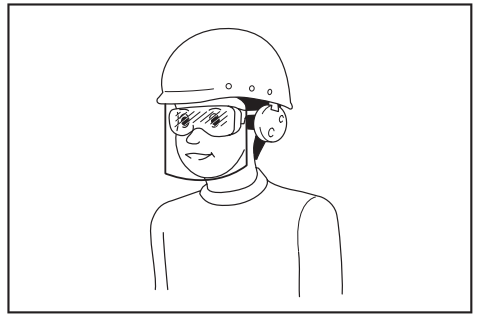
2. **Jangan gunakan mesin listrik dalam lingkungan yang mudah meledak, misalnya jika ada cairan, gas, atau debu yang mudah menyala.** Mesin listrik menimbulkan bunga api yang dapat menyalaikan debu atau uap tersebut.
3. **Jauhkan anak-anak dan orang lain saat menggunakan mesin listrik.** Bila perhatian terpecah, anda dapat kehilangan kendali.

Keamanan Kelistrikan

1. **Steker mesin listrik harus cocok dengan stopkontak. Jangan sekali-kali mengubah steker dengan cara apa pun. Jangan menggunakan steker adaptor dengan mesin listrik terbumi (dibumikan).** Steker yang tidak diubah dan stopkontak yang cocok akan mengurangi risiko sengatan listrik.
2. **Hindari sentuhan tubuh dengan permukaan terbumi atau yang dibumikan seperti pipa, radiator, kompor, dan kulkas.** Risiko sengatan listrik bertambah jika tubuh Anda terbumikan atau dibumikan.
3. **Jangan membiarkan mesin listrik kehujanan atau kebasahan.** Air yang masuk ke dalam mesin listrik akan meningkatkan risiko sengatan listrik.
4. **Jangan menyalahgunakan kabel. Jangan sekali-kali menggunakan kabel untuk membawa, menarik, atau mencabut mesin listrik dari stopkontak. Jauhkan kabel dari panas, minyak, tepian tajam, atau bagian yang bergerak.** Kabel yang rusak atau kusut memperbesar risiko sengatan listrik.
5. **Bila menggunakan mesin listrik di luar ruangan, gunakan kabel ekstensi yang sesuai untuk penggunaan di luar ruangan.** Penggunaan kabel yang sesuai untuk penggunaan luar ruangan mengurangi risiko sengatan listrik.
6. **Jika mengoperasikan mesin listrik di lokasi lembap tidak terhindarkan, gunakan pasokan daya yang dilindungi peranti imbasan arus (residual current device - RCD).** Penggunaan RCD mengurangi risiko sengatan listrik.
7. **Penggunaan pasokan daya melalui RCD dengan kapasitas arus sisa 30 mA atau kurang selalu dianjurkan.**
8. **Mesin listrik dapat menghasilkan medan magnet (EMF) yang tidak berbahaya bagi pengguna.** Namun, pengguna alat pacu jantung atau peralatan medis sejenisnya harus berkonsultasi dengan produsen peralatan tersebut dan/atau dokter mereka sebelum mengoperasikan mesin listrik ini.
9. **Jangan menyentuh colokan daya dengan tangan basah.**
10. **Jika kabel rusak, penggantian harus dilakukan oleh produsen atau agennya untuk menghindari bahaya keselamatan.**

Keselamatan Diri

1. **Jaga kewaspadaan, perhatikan pekerjaan Anda dan gunakan akal sehat bila menggunakan mesin listrik. Jangan menggunakan mesin listrik saat Anda lelah atau di bawah pengaruh obat bius, alkohol, atau obat.** Sekejap saja lalai saat menggunakan mesin listrik dapat menyebabkan cedera badan serius.
2. **Gunakan alat pelindung diri. Selalu gunakan pelindung mata.** Peralatan pelindung seperti masker debu, sepatu pengaman anti-selip, helm pengaman, atau pelindung telinga yang digunakan untuk kondisi yang sesuai akan mengurangi risiko cedera badan.
3. **Cegah penyalaaan yang tidak disengaja. Pastikan bahwa sakelar berada dalam posisi mati (off) sebelum menghubungkan mesin ke sumber daya dan/atau paket baterai, atau mengangkat atau membawanya.** Membawa mesin listrik dengan jari Anda pada sakelarnya atau mengalirkan listrik pada mesin listrik yang sakelarnya hidup (on) akan mengundang kecelakaan.
4. **Lepaskan kunci-kunci penyetel sebelum menghidupkan mesin listrik.** Kunci-kunci yang masih terpasang pada bagian mesin listrik yang berputar dapat menyebabkan cedera.
5. **Jangan meraih terlalu jauh. Jagalah pijakan dan keseimbangan sepanjang waktu.** Hal ini memungkinkan kendali yang lebih baik atas mesin listrik dalam situasi yang tidak diharapkan.
6. **Kenakan pakaian yang memadai. Jangan memakai pakaian yang longgar atau perhiasan. Jaga jarak antara rambut dan pakaian Anda dengan komponen mesin yang bergerak.** Pakaian yang longgar, perhiasan, atau rambut yang panjang dapat tersangkut pada komponen yang bergerak.
7. **Jika tersedia fasilitas untuk menghisap dan mengumpulkan debu, pastikan fasilitas tersebut terhubung listrik dan digunakan dengan baik.** Penggunaan pembersih debu dapat mengurangi bahaya yang terkait dengan debu.
8. **Jangan sampai Anda lengah dan mengabaikan prinsip keselamatan mesin ini hanya karena sudah sering mengoperasikannya dan sudah merasa terbiasa.** Tindakan yang lalai dapat menyebabkan cedera berat dalam sepersekian detik saja.
9. **Selalu kenakan kacamata pelindung untuk melindungi mata dari cedera saat menggunakan mesin listrik. Kacamata harus sesuai dengan ANSI Z87.1 di Amerika Serikat, EN 166 di Eropa, atau AS/NZS 1336 di Australia/Selandia Baru. Di Australia/Selandia Baru, secara hukum Anda juga diwajibkan mengenakan pelindung wajah untuk melindungi wajah Anda.**



Menjadi tanggung jawab atasan untuk menerapkan penggunaan alat pelindung keselamatan yang tepat bagi operator mesin dan orang lain yang berada di area kerja saat itu.

Penggunaan dan pemeliharaan mesin listrik

1. **Jangan memaksa mesin listrik. Gunakan mesin listrik yang tepat untuk keperluan Anda.** Mesin listrik yang tepat akan menuntaskan pekerjaan dengan lebih baik dan aman pada kecepatan sesuai rancangannya.
2. **Jangan gunakan mesin listrik jika sakelar tidak dapat menyalakan dan mematikannya.** Mesin listrik yang tidak dapat dikendalikan dengan sakelarnya adalah berbahaya dan harus diperbaiki.
3. **Cabut steker dari sumber listrik dan/atau lepas paket baterai, jika dapat dilepas, dari mesin listrik sebelum melakukan penyetelan apa pun, mengganti aksesoris, atau menyimpan mesin listrik.** Langkah keselamatan preventif tersebut mengurangi risiko hidupnya mesin secara tak sengaja.
4. **Simpan mesin listrik jauh dari jangkauan anak-anak dan jangan biarkan orang yang tidak paham mengenai mesin listrik tersebut atau petunjuk ini menggunakan mesin listrik.** Mesin listrik sangat berbahaya di tangan pengguna yang tak terlatih.
5. **Rawatlah mesin listrik dan aksesoris. Periksa apakah ada komponen bergerak yang tidak lurus atau macet, komponen yang pecah, dan kondisi-kondisi lain yang dapat memengaruhi pengoperasian mesin listrik. Jika rusak, perbaiki dahulu mesin listrik sebelum digunakan.** Banyak kecelakaan disebabkan oleh kurangnya pemeliharaan mesin listrik.
6. **Jaga agar mesin pemotong tetap tajam dan bersih.** Mesin pemotong yang terawat baik dengan mata pemotong yang tajam tidak mudah macet dan lebih mudah dikendalikan.
7. **Gunakan mesin listrik, aksesoris, dan mata mesin, dll. sesuai dengan petunjuk ini, dengan memperhitungkan kondisi kerja dan jenis pekerjaan yang dilakukan.** Penggunaan mesin listrik untuk penggunaan yang lain dari peruntukan dapat menimbulkan situasi berbahaya.

8. Jagalah agar gagang dan permukaan pegangan tetap kering, bersih, dan bebas dari minyak dan pelumas. Gagang dan permukaan pegangan yang licin tidak mendukung keamanan penanganan dan pengendalian mesin dalam situasi-situasi tak terduga.
9. **Ketika menggunakan mesin, jangan menggunakan sarung tangan kain yang dapat tersangkut.** Sarung tangan kain yang tersangkut pada komponen bergerak dapat mengakibatkan cedera pada pengguna.

Servis

1. Berikan mesin listrik untuk diperbaiki hanya kepada oleh teknisi yang berkualifikasi dengan menggunakan hanya suku cadang pengganti yang serupa. Hal ini akan menjamin terjaganya keamanan mesin listrik.
2. Patuhi petunjuk pelumasan dan penggantian aksesoris.

Instruksi keselamatan untuk gergaji adu manis

1. Gergaji adu manis ditujukan untuk memotong kayu atau produk kayu, tidak dapat digunakan bersama dengan roda pemotong abrasif untuk memotong bahan yang mengandung besi seperti tongkat, batang, tiang, dll. Debu abrasif dapat menyebabkan macet pada bagian yang bergerak seperti pelindung bawah. Percikan dari pemotongan abrasif akan membakar pelindung bawah, sisipan goresan, dan komponen plastik lainnya.
 2. Gunakan penjepit untuk menahan benda kerja jika memungkinkan. Jika Anda menopang benda kerja dengan tangan, pastikan tangan Anda selalu berjarak setidaknya 100 mm dari kedua sisi mata gergaji. Jangan gunakan gergaji ini untuk memotong benda yang terlalu kecil untuk dijepit pada ragum atau dipegang tangan. Jika tangan Anda berada terlalu dekat dengan mata gergaji, terdapat risiko cedera akibat menyentuh mata gergaji.
 3. Benda kerja harus diam dan dijepit atau ditahan pada pembatas atau meja. Jangan umpankan benda kerja pada mata pisau atau memotong secara "bebas" dengan cara apa pun. Benda kerja yang tidak ditahan dapat terlempar pada kecepatan tinggi dan menyebabkan cedera.
 4. Dorong gergaji untuk memotong benda kerja. Jangan tarik gergaji untuk memotong benda kerja. Untuk memotong, angkat kepala gergaji dan angkat ke atas benda kerja tanpa memotong, jalankan motor, tekan kepala gergaji ke bawah dan dorong gergaji untuk memotong benda kerja. Memotong dengan gerakan tarikan dapat menyebabkan mata gergaji bergerak ke atas benda kerja dan melemparkan mata gergaji dengan kuat ke arah operator.
 5. Jangan pernah letakkan tangan pada garis pemotongan baik di depan atau di belakang mata gergaji. Menopang benda kerja "secara menyilang", yaitu menahan benda kerja pada sisi kanan mata gergaji dengan tangan kiri Anda atau sebaliknya adalah tindakan yang sangat berbahaya.
- Gbr.1
6. Jangan meraih bagian belakang penahan dengan tangan mendekati 100 mm dari kedua sisi mata gergaji, untuk membersihkan serbuk kayu, atau untuk alasan apa pun ketika mata gergaji sedang berputar. Jarak antara mata gergaji yang berputar dan tangan Anda mungkin tidak terlihat jelas dan Anda dapat terluka parah.
 7. Periksa benda kerja sebelum memotong. Jika benda kerja melengkung atau tidak rata, jepit dengan sisi melengkung menghadap penahan. Selalu pastikan tidak ada celah antara benda kerja, penahan, dan meja di sepanjang garis pemotongan. Benda kerja yang melengkung atau tidak rata dapat memuntir atau bergeser dan menyebabkan mata gergaji terjepit saat memotong. Hindari adanya paku atau objek lain pada benda kerja.
 8. Jangan gunakan gergaji hingga meja benar-benar bersih dari serpihan kayu, peralatan lain, dll., dan hanya terdapat benda kerja. Kotoran atau serpihan kayu atau benda lain yang menyentuh mata pisau saat sedang berputar dapat terlempar dengan kecepatan tinggi.
 9. Hanya potong satu benda kerja dalam satu waktu. Benda kerja yang bertumpuk tidak dapat dijepit atau ditahan dengan benar dan dapat menjepit mata pisau atau bergeser selama pemotongan.
 10. Pastikan gergaji adu manis terpasang di permukaan kerja yang rata dan kuat sebelum digunakan. Permukaan kerja yang rata dan kuat mengurangi risiko gergaji adu manis menjadi tidak stabil.
 11. Rencanakan pekerjaan Anda. Setiap kali Anda mengganti pengaturan sudut siku-siku atau miter, pastikan penahan yang dapat disesuaikan telah diatur dengan benar untuk menahan benda kerja dan tidak akan mengganggu mata pisau atau sistem perlindungan. Tanpa menyalakan mesin ke posisi "HIDUP" dan tidak ada benda kerja di meja, gerakkan mata gergaji dengan mensimulasikan gerakan memotong untuk memastikan tidak ada gangguan atau bahaya terpotongnya penahan.
 12. Topang menggunakan peralatan yang memadai seperti sambungan meja, meja gergaji, dll. untuk benda kerja yang lebih lebar dari permukaan meja. Benda kerja yang lebih panjang atau lebih lebar dari meja gergaji adu manis dapat miring jika tidak ditopang dengan kuat. Jika potongan atau benda kerja miring, potongan atau benda kerja tersebut dapat mengangkat pelindung bawah atau terlontar oleh mata pisau yang berputar.

13. **Jangan minta orang lain menggantikan fungsi penopang atau sambungan meja.** Penopangan benda kerja yang tidak stabil dapat menyebabkan mata pisau terjepit atau benda kerja bergeser selama pemotongan dan Anda dan orang lain dapat mengenai mata pisau yang berputar.
 14. **Potongan benda kerja tidak boleh dijepit atau ditekan ke mata gergaji yang berputar dengan cara apa pun.** Jika tidak langsung terlepas, yaitu saat menggunakan penahan panjang, potongan benda kerja dapat miring ke arah mata pisau dan terlempar dengan kuat.
 15. **Selalu gunakan penjepit atau dudukan yang dirancang untuk menopang material berbentuk bulat seperti batang atau pipa dengan benar.** Batang dapat tergulung ketika dipotong, yang menyebabkan mata pisau “menggigit” dan menarik benda kerja serta tangan Anda ke arah mata pisau.
 16. **Biarkan mata pisau mencapai kecepatan penuh sebelum menyentuh benda kerja.** Hal ini akan mengurangi risiko benda kerja terlempar.
 17. **Jika benda kerja atau mata gergaji terjepit, matikan gergaji adu manis. Tunggu semua komponen gerak sampai benar-benar berhenti dan cabut steker dari sumber daya dan/atau lepaskan paket baterai. Kemudian lepaskan material yang terjepit.** Melanjutkan pekerjaan dengan benda kerja yang terjepit dapat menyebabkan hilangnya kendali atau kerusakan pada gergaji adu manis.
 18. **Setelah selesai memotong, lepaskan sakelar, tahan kepala gergaji dan tunggu hingga mata gergaji berhenti sebelum melepaskan potongan benda kerja.** Mengambil benda kerja ketika mata pisau masih berputar adalah tindakan yang sangat berbahaya.
 19. **Tahan pegangan dengan kuat ketika hanya memotong sebagian benda kerja atau ketika melepaskan sakelar sebelum kepala gergaji berada di posisi turun.** Gerakan pengereman gergaji dapat menyebabkan kepala gergaji tertarik ke bawah dengan tiba-tiba dan berisiko menyebabkan cedera.
 20. **Gunakan hanya mata gergaji dengan diameter yang tertera pada alat atau ditentukan dalam petunjuk.** Menggunakan mata pisau dengan ukuran yang salah akan memengaruhi perlindungan mata pisau atau pengoperasian pelindung yang dapat mengakibatkan cedera serius.
 21. **Hanya gunakan mata gergaji dengan kecepatan yang sama atau lebih tinggi dari kecepatan yang tertera pada mesin.**
 22. **Gergaji tidak boleh digunakan untuk memotong bahan selain kayu, aluminium, atau bahan yang serupa.**
 23. **(Hanya untuk negara-negara Eropa) Gunakan hanya mata pisau yang sesuai dengan EN847-1.**
2. **Dilarang berdiri di atas mesin.** Cedera serius bisa terjadi jika mesin ini berujung lancip atau jika alat pemotong tersentuh secara tidak sengaja.
 3. **Jangan sekali-kali membiarkan mesin menyalakan tanpa pengawasan. Matikan mesin. Jangan meninggalkan mesin sampai benar-benar berhenti.**
 4. **Jangan mengoperasikan gergaji tanpa pelindung terpasang di tempatnya. Periksa apakah pelindung mata pisau tertutup dengan baik setiap kali akan digunakan. Jangan mengoperasikan gergaji jika pelindung mata pisau tidak bergerak bebas dan menutup dengan cepat. Jangan sekali-kali menjepit atau mengikat pelindung mata pisau ke posisi terbuka.**
 5. **Jauhkan tangan dari jalur mata gergaji. Hindari kontak dengan mata pisau yang bergerak meluncur. Ini masih dapat menyebabkan cedera parah.**
 6. **Untuk mengurangi risiko cedera, kembalikan pegangan ke posisi belakang sepenuhnya setelah setiap pekerjaan pemotongan silang.**
 7. **Selalu kencangkan semua bagian yang bergerak sebelum mesin dibawa.**
 8. **Pasak penahan yang mengunci kepala pemotong ke bawah hanya untuk tujuan membawa atau penyimpanan dan bukan untuk pengoperasian pemotongan.**
 9. **Periksa mata pisau secara saksama akan adanya keretakan atau kerusakan sebelum penggunaan. Segera ganti mata pisau yang retak atau rusak. Getah dan ter kayu yang mengeras pada mata pisau memperlambat gergaji dan meningkatkan risiko terjadinya hentakan balik. Jaga agar mata pisau tetap bersih dengan melepasnya terlebih dahulu dari mesin, lalu membersihkannya dengan penghilang getah dan ter, air panas atau kerosin. Jangan pernah menggunakan bensin untuk membersihkan mata pisau.**
 10. **Ketika membuat potongan geser, HENTAKAN BALIK dapat terjadi. HENTAKAN BALIK terjadi ketika mata gergaji terjepit pada benda kerja selama pemotongan dan mata gergaji terdorong dengan cepat ke arah operator. Kehilangan kendali dan cedera parah dapat terjadi. Jika mata pisau mulai terjepit selama pemotongan, jangan lanjutkan dan segera lepaskan sakelar.**
 11. **Gunakan hanya flensa yang ditentukan untuk mesin ini.**
 12. **Berhati-hatilah agar tidak merusak arbor, flensa (terutama permukaan pemasangan) atau baut. Kerusakan pada bagian ini bisa mengakibatkan rusaknya mata pisau.**
 13. **Pastikan bahwa dudukan putar dikencangkan dengan benar sehingga tidak akan bergerak selama pengoperasian. Gunakan lubang di bagian dasar untuk mengencangkan gergaji pada platform kerja atau meja yang stabil. JANGAN PERNAH gunakan mesin dengan posisi operator yang tidak ideal.**
 14. **Pastikan kunci poros dilepas sebelum sakelar dinyalakan.**
- Instruksi tambahan**
1. **Pastikan bengkel aman untuk anak-anak dengan mengunci semua alat menggunakan gembok.**

15. Pastikan mata pisau tidak mengenai dudukan putar pada posisi terendah.
 16. Genggam pegangan mesin kuat-kuat. Ketahuilah bahwa gergaji sedikit bergerak naik atau turun selama penyalaan awal dan saat berhenti.
 17. Pastikan bahwa mata pisau tidak menyentuh benda kerja sebelum sakelar dinyalakan.
 18. Sebelum menggunakan mesin pada benda kerja yang sebenarnya, jalankan mesin sebentar. Perhatikan akan adanya getaran atau goyangan yang dapat menunjukkan lemahnya pemasangan atau mata pisau yang kurang seimbang.
 19. Segera hentikan pengoperasian segera jika Anda melihat adanya sesuatu yang tidak wajar.
 20. Jangan mencoba untuk mengunci picu pada posisi "HIDUP".
 21. Selalu gunakan aksesoris yang dianjurkan dalam panduan ini. Penggunaan aksesoris yang tidak tepat seperti roda ampelas bisa menyebabkan cedera.
 22. Bahan tertentu mengandung zat kimia yang mungkin beracun. Berikan perhatian untuk menghindari menghirup debu dan persentuhan dengan kulit. Ikuti data keselamatan bahan dari pemasok.
- Aturan keselamatan tambahan untuk laser
1. **RADIASI LASER, JANGAN MELIHAT CAHAYA SECARA LANGSUNG ATAU DENGAN ALAT OPTIK, PRODUK LASER KELAS 2M.**

SIMPAN PETUNJUK INI.

⚠PERINGATAN: JANGAN biarkan kenyamanan atau terbiasanya Anda dengan produk (karena penggunaan berulang) mengurangi kepatuhan yang ketat terhadap aturan keselamatan untuk produk yang terkait. **PENYALAHGUNAAN** atau kelalaian mematuhi kaidah keselamatan yang tertera dalam petunjuk ini dapat menyebabkan cedera badan serius.

DESKRIPSI BAGIAN-BAGIAN MESIN

► Gbr.2

1	Tiang geser	2	Pasak penahan (untuk menggeser pegangan)	3	Ragum vertikal	4	Tombol pelepas (untuk sudut siku-siku sisi kanan)
5	Penahan	6	Dudukan putar	7	Penunjuk (untuk sudut miter)	8	Skala sudut miter
9	Papan garitan	10	Kotak mata pisau	11	Sekrup penyetel (untuk garis laser)	12	Sekrup penyetel rentang (untuk garis laser)
13	Pelindung mata pisau	14	Knop (untuk sudut siku-siku)	15	Kunci L	16	Sekrup penyetel (untuk posisi batas bawah)
17	Baut penyetel (untuk kapasitas pemotongan maksimum)	18	Lengan penahan	19	Tuas pengunci (untuk dudukan putar)	20	Tuas pelepas (untuk dudukan putar)
21	Gagang (untuk dudukan putar)	-	-	-	-	-	-

► Gbr.3

1	Pelatak sakelar	2	Tombol pengunci	3	Lubang untuk gembok	4	Sakelar (untuk garis laser)
5	Selang (untuk pengumpul debu)	6	Pasak penahan (untuk mengangkat pegangan)	7	Pembatas pemandu (pembatas bawah)	8	Pembatas pemandu (pembatas atas)
9	Kantong debu	10	Baut penyetel 0° (untuk sudut siku-siku)	11	Skala sudut siku-siku	12	Tuas pelepas (untuk sudut siku-siku 48°)
13	Tuas kancing (untuk sudut siku-siku)	14	Penunjuk (untuk sudut siku-siku)	15	Baut penyetel 45° (untuk sudut siku-siku)	-	-

PEMASANGAN

Memasang gagang

Kencangkan batang berulir dari gagang ke kedudukan putar menggunakan sekrup.

► **Gbr.4:** 1. Gagang 2. Dudukan putar

Pasang selang pengumpulan debu

Sambungkan selang pengumpulan debu ke mesin seperti pada gambar.

Pastikan bagian siku dan selongsong terpasang dengan benar pada port mesin.

► **Gbr.5:** 1. Selang pengumpulan debu 2. Siku 3. Selongsong 4. Port

Untuk melepaskan siku dari port, tarik siku sembari menekan tombol kunci.

► **Gbr.6:** 1. Tombol kunci 2. Siku

Pemasangan bangku

Saat peralatan dikirimkan, pegangan terkunci pada posisi yang diturunkan sepenuhnya dari pasak penahan. Saat menurunkan pegangan, tarik pasak penahan dan putar sejauh 90°.

► **Gbr.7:** 1. Posisi terkunci 2. Posisi terbuka 3. Pasak penahan

Mesin ini harus dikencangkan dengan empat buah baut hingga permukaannya setara dan stabil dengan menggunakan lubang baut yang tersedia pada kedudukan mesin. Hal ini akan mencegah mesin miring dan mengurangi kemungkinan cedera.

► **Gbr.8:** 1. Baut

⚠PERINGATAN: Pastikan mesin tidak dapat bergerak di atas permukaan penopang. Pergerakan gergaji adu manis pada permukaan penopang ketika memotong dapat menyebabkan kehilangan kontrol dan cedera badan serius.

DESKRIPSI FUNGSI

⚠PERINGATAN: Selalu pastikan bahwa mesin dalam keadaan mati dan steker tercabut sebelum menyatel atau memeriksa kerja mesin. Kelalaian dalam mematikan dan mencabut steker mesin dapat mengakibatkan cedera badan yang serius akibat penyalan yang tidak disengaja.

Pelindung mata pisau

► **Gbr.9:** 1. Pelindung mata pisau

Ketika menurunkan pegangan, pelindung mata pisau naik secara otomatis. Pelindung mata pisau dilengkapi pegas sehingga akan kembali ke posisi semula ketika pemotongan selesai atau pegangan dinaikkan.

⚠PERINGATAN: Jangan pernah mengakali atau melepaskan pelindung mata pisau atau pegas yang menempel pada pelindung. Mata pisau yang terbuka akibat dari pelindung yang usang dapat menyebabkan cedera badan selama pengoperasian.

Untuk kepentingan keamanan pribadi Anda, selalu pertahankan agar pelindung mata pisau dalam kondisi yang baik. Ketidakwaajaran yang ada pada kerja pelindung mata pisau harus segera diperbaiki. Periksa untuk memastikan adanya gerak kembali yang digerakkan oleh pegas pada pelindung.

⚠PERINGATAN: Jangan pernah menggunakan mesin jika pelindung mata pisau atau pegas rusak, cacat atau dilepaskan. Pengoperasian mesin dengan pelindung yang rusak, cacat atau dilepaskan dapat mengakibatkan cedera badan yang serius.

Jika pelindung mata pisau terlihat kotor, atau serbuk gergaji menempel pada pelindung sehingga mata pisau dan/atau benda kerja tidak lagi terlihat dengan mudah, lepaskan gergaji dan bersihkan pelindung dengan hati-hati menggunakan kain basah. Jangan gunakan larutan pembersih atau cairan pembersih berbahan minyak pada pelindung plastik karena hal ini akan menyebabkan kerusakan pada pelindung.

Bila pelindung mata pisau sangat kotor dan pandangan lewat pelindung menjadi terganggu, putus daya mesin dan gunakan kunci pas yang tersedia untuk kendurkan baut kepala segi-enam yang memegang penutup tengah. Kendurkan baut kepala segi-enam dengan memutar berlawanan arah jarum jam dan naikan pelindung mata pisau dan penutup tengah. Dengan pelindung mata pisau yang diposisikan demikian, pembersihan dapat dilakukan dengan lebih lengkap dan lebih efisien. Selesai dibersihkan, lakukan prosedur di atas secara terbalik dan pasang bautnya. Jangan melepaskan pelindung mata pisau penahan pegas. Jika pelindung berubah warna karena umur pemakaian atau terpaan sinar UV, hubungi pusat layanan Makita untuk mendapatkan pelindung yang baru. **JANGAN MENAKALI ATAU MELEPAS PELINDUNG.**

► **Gbr.10:** 1. Penutup tengah 2. Kunci L 3. Pelindung mata pisau

Papan-papan garitan

Mesin ini disediakan dengan papan-papan garitan pada kedudukan putar untuk meminimalkan koyakan pada bagian luar potongan. Papan-papan garitan telah disetel oleh pabrik sehingga mata gergaji tidak mengenai papan-papan garitan. Sebelum penggunaan, setel papan-papan garitan sebagai berikut:

► **Gbr.11:** 1. Papan garitan

► **Gbr.12:** 1. Potongan siku-siku kiri 2. Potongan lurus 3. Potongan siku-siku kanan 4. Mata gergaji 5. Gerigi mata pisau 6. Papan garitan

Pertama-tama, cabut steker mesin dari stopkontak. Kendurkan semua sekrup (masing-masing 2 di kanan dan di kiri) yang mengencangkan papan-papan garitan hingga papan-papan garitan dapat dilepaskan dengan mudah. Turunkan pegangan secara penuh, kemudian tarik dan putar pasak penahan untuk mengunci pegangan pada posisi yang lebih rendah. Lepaskan pasak penahan pada tiang penggeser dan tarik pegangan ke arah Anda sepenuhnya. Setel papan garitan sehingga papan-papan garitan hanya mengenai bagian gerigi mata pisau. Kencangkan sekrup depan (jangan mengencangkan terlalu kuat). Tekan pegangan ke arah pembatas pemandu secara penuh dan setel papan-papan garitan sehingga papan-papan garitan hanya mengenai bagian gerigi mata pisau. Kencangkan sekrup belakang (jangan mengencangkan terlalu kuat).

Setelah menyatel papan-papan garitan, lepaskan pasak penahan dan naikan pegangan. Kemudian kencangkan sekrup dengan kuat.

PEMBERITAHUAN: Setelah menyatel sudut siku-siku pastikan bahwa papan-papan garitan disatel dengan benar. Penyetelan papan-papan garitan yang benar akan membantu untuk memberikan tumpuan yang memadai dari benda kerja dan meminimalkan koyakan benda kerja.

Menjaga kapasitas pemotongan maksimum

Mesin ini disatel di pabrik dengan kapasitas pemotongan maksimum untuk mata gergaji berukuran 255 mm atau 260 mm.

Saat memasang mata pisau baru, selalu periksa posisi batas bawah mata pisau, dan bila perlu, setel sebagaimana berikut:

Pertama-tama, cabut steker mesin dari stopkontak. Putar tuas penghenti ke posisi terpasang.

► **Gbr.13:** 1. Tuas penghenti

Tekan pegangan ke arah pembatas pemandu dan turunkan pegangan secara penuh.

Setel posisi mata pisau dengan memutar baut penyatel dengan kunci L. Periferi mata pisau harus sedikit melebihi permukaan atas dudukan putar dan juga mencapai titik di mana bagian depan pembatas pemandu bertemu dengan permukaan atas dudukan putar.

► **Gbr.14:** 1. Baut penyatel

► **Gbr.15:** 1. Permukaan atas dudukan putar
2. Periferi mata pisau 3. Pembatas pemandu

Dengan kondisi steker mesin dicabut, putar mata pisau menggunakan tangan sambil memegang pegangan ke bawah sepenuhnya untuk memastikan bahwa mata pisau tidak menyentuh salah satu bagian dari dudukan bawah. Setel ulang sedikit bila perlu.

Setelah penyetelan, selalu kembalikan tuas penghenti ke posisi semula.

PERINGATAN: Setelah memasang mata pisau baru dan dengan steker mesin dicabut, selalu pastikan bahwa mata pisau tidak menyentuh bagian dudukan bawah saat pegangan diturunkan sepenuhnya. Jika mata pisau mengenai dudukan maka hal ini akan menyebabkan hentakan balik dan mengakibatkan cedera badan yang serius.

Lengan penahan

Posisi batas bawah mata pisau dapat dengan mudah disatel dengan lengan penahan. Untuk menyatelnya, putar lengan penahan dalam arah panah seperti yang ditunjukkan pada gambar. Putar sekrup penyatel sehingga mata pisau berhenti di posisi yang diinginkan ketika pegangan diturunkan sepenuhnya.

► **Gbr.16:** 1. Lengan penahan 2. Sekrup penyatel

Menyetel sudut miter

PERHATIAN: Setelah mengubah sudut miter, selalu kunci posisi dudukan putar dengan mengencangkan gagang kuat-kuat.

PEMBERITAHUAN: Saat memutar dudukan putar, pastikan untuk menaikkan pegangan sepenuhnya.

► **Gbr.17:** 1. Tuas kunci 2. Gagang 3. Tuas pelepas 4. Penunjuk

Putar gagang berlawanan arah jarum jam untuk membuka dudukan putar. Putar gagang sambil menahan tuas pengunci untuk menggerakkan dudukan putar. Sejajarkan penunjuk dengan sudut yang diinginkan pada skala, kemudian kencangkan gagang.

CATATAN: Jika Anda menekan tuas pelepas, Anda dapat menggerakkan dudukan putar tanpa menahan tuas kunci. Kencangkan gagang pada posisi yang Anda inginkan.

Gergaji adu manis ini menggunakan fungsi penghentian positif. Anda dapat mengatur sudut miter kanan/kiri 0°, 15°, 22,5°, 31,6°, 45°, dan 60° dengan cepat. Untuk menggunakan fungsi ini, gerakkan dudukan putar mendekati sudut henti positif yang Anda inginkan sembari menahan tuas kunci. Kemudian lepaskan tuas kunci dan gerakkan dudukan putar ke sudut henti positif yang Anda inginkan hingga dudukan putar terkunci.

Menyetel sudut siku-siku

PEMBERITAHUAN: Selalu lepaskan pembatas-pembatas pemandu atas dan ragum vertikal sebelum menyetel sudut siku-siku.

PEMBERITAHUAN: Ketika mengubah sudut siku-siku, pastikan untuk menyimpan papan-papan garitan dengan benar seperti yang dijelaskan pada bagian “Papan-papan garitan”.

PEMBERITAHUAN: Saat memiringkan mata gergaji, pastikan untuk menaikkan pegangan sepenuhnya.

PEMBERITAHUAN: Jangan mengencangkan knop terlalu kencang. Jika melakukannya dapat menyebabkan kegagalan fungsi mekanisme penguncian sudut siku-siku.

1. Putar knop pada tiang geser berlawanan arah jarum jam.

► **Gbr.18:** 1. Knop

2. Tarik dan putar tuas kancing ke posisi sesuai gambar.

► **Gbr.19:** 1. Tuas kancing

3. Sesuaikan penunjuk dengan sudut yang diinginkan pada skala dengan menggerakkan pegangan lalu kencangkan knop.

► **Gbr.20:** 1. Skala sudut siku-siku 2. Penunjuk

Untuk memiringkan pegangan ke kanan, miringkan pegangan sedikit ke kiri kemudian miringkan ke kanan sembari menekan tombol pelepas.

► **Gbr.21:** 1. Tombol pelepas

Jika Anda melakukan potongan siku-siku lebih dari 45°, gerakkan pegangan ketika menggeser tuas pelepas ke arah depan mesin. Anda dapat melakukan potongan siku-siku hingga 48°.

► **Gbr.22:** 1. Tuas pelepas

Gergaji adu manis ini menggunakan fungsi penghentian positif. Anda dapat mengatur sudut 22,5° dan 33,9° ke kanan dan kiri dengan cepat. Atur tuas kancing pada posisi sesuai gambar dan miringkan pegangan. Untuk mengubah sudut, tarik tuas kancing dan miringkan pegangan.

► **Gbr.23:** 1. Tuas kancing

PERHATIAN: Selalu kencangkan knop setelah mengubah sudut siku-siku.

Kunci geser

Untuk mengunci gerakan geser dari pegangan, tekan pegangan ke arah pembatas pemandu hingga berhenti. Tarik pasak penahan dan putar sejauh 90°.

► **Gbr.24:** 1. Posisi terbuka 2. Posisi terkunci 3. Pasak penahan

Kerja sakelar

PERINGATAN: Sebelum memasukkan steker, pastikan pelatuk sakelar berfungsi dengan baik dan kembali ke posisi “MATI” saat dilepas. Jangan menarik dalam-dalam pelatuk sakelar tanpa menekan tombol pengunci. Hal ini bisa merusak sakelar. Penggunaan mesin dengan sakelar yang tidak berfungsi dengan baik dapat menyebabkan kehilangan kontrol dan cedera badan serius.

PERINGATAN: JANGAN PERNAH menggunakan mesin tanpa picu sakelar yang berfungsi dengan benar. Setiap mesin dengan sakelar yang tidak berfungsi SANGAT BERBAHAYA dan harus diperbaiki sebelum penggunaan lebih lanjut atau cedera badan serius dapat terjadi.

PERINGATAN: JANGAN PERNAH mengakali tombol buka kunci dengan menyelotip atau menggunakan alat-alat lainnya. Sakelar tanpa tombol buka kunci dapat mengakibatkan pengoperasian yang tidak diinginkan dan cedera badan serius.

PERINGATAN: JANGAN PERNAH menggunakan mesin jika mesin tersebut menyala ketika Anda hanya menarik picu sakelarnya tanpa menekan tuas buka kunci. Sakelar yang memerlukan perbaikan dapat mengakibatkan pengoperasian yang tidak diinginkan dan cedera badan serius. Kembalikan mesin ke pusat layanan Makita untuk diperbaiki dengan benar SEBELUM menggunakannya lebih lanjut.

► **Gbr.25:** 1. Pelatuk sakelar 2. Tombol pengunci 3. Lubang untuk gembok

Untuk mencegah pelatuk sakelar tertarik dengan tidak sengaja, tersedia sebuah tombol pengunci. Untuk menjalankan mesin, tekan tombol pengunci dan tarik pelatuk sakelar. Lepaskan pelatuk sakelar untuk berhenti.

Lubang disediakan pada pelatuk sakelar untuk memasukkan gembok untuk mengunci mesin.

PERINGATAN: Jangan mengunci dengan anak kunci atau kabel yang diameternya lebih kecil dari 6,35 mm (1/4”). Anak kunci atau kabel yang lebih kecil mungkin tidak dapat mengunci mesin dengan benar dalam posisi mati dan pengoperasian yang tidak disengaja dapat terjadi yang mengakibatkan cedera badan serius.

Fungsi elektronik

Kontrol kecepatan konstan

Mesin memiliki kontrol kecepatan elektronik yang membantu memberikan kecepatan putaran mata pisau konstan bahkan saat diberi beban. Putaran putaran mata pisau yang konstan akan menghasilkan potongan yang halus.

Fitur awal pengerjaan lembut

Fungsi ini memungkinkan menyalakan mesin dengan halus dengan membatasi torsi awal.

Kerja cahaya laser

Hanya untuk model LS1019L

PERHATIAN: Jangan melihat langsung cahaya laser. Cahaya laser langsung dapat mencederai mata.

Untuk menyalakan cahaya laser, tekan bagian posisi atas (I) dari sakelar. Untuk mematikan cahaya laser, tekan bagian posisi bawah (O) dari sakelar

► **Gbr.26:** 1. Sakelar untuk laser

Garis laser dapat digeser ke sisi kiri atau kanan mata gergaji dengan memutar sekrup penyetel sebagai berikut.

► **Gbr.27:** 1. Sekrup penyetel

1. Kendurkan sekrup penyetel dengan memutarnya berlawanan arah jarum jam.
2. Dengan sekrup penyetel yang kendur, geser sekrup penyetel ke kanan atau kiri sejauh yang memungkinkan.
3. Kencangkan sekrup penyetel pada posisi saat berhenti bergeser.

CATATAN: Garis laser telah disetel di pabrik sehingga akan terletak 1 mm dari permukaan samping mata pisau (posisi pemotongan).

CATATAN: Ketika garis laser tidak terlihat jelas akibat cahaya matahari langsung, pindahkan ke area kerja yang lebih teduh.

Menyejajarkan garis laser

Sejajarkan garis pemotongan pada benda kerja dengan garis laser.

► **Gbr.28**

- A) Ketika Anda ingin mendapatkan ukuran yang tepat pada sisi kiri benda kerja, geser garis laser ke sisi kiri mata pisau.
- B) Ketika Anda ingin mendapatkan ukuran yang tepat pada sisi kanan benda kerja, geser garis laser ke sisi kanan mata pisau.

CATATAN: Gunakan kayu yang menghadap ke pembatas pemandu ketika menyejajarkan garis pemotongan dengan garis laser di samping pembatas pemandu dalam potongan kombinasi (sudut siku-siku 45° dan sudut miter kanan 45°).

PERAKITAN

PERINGATAN: Pastikan bahwa mesin dalam keadaan mati dan steker tercabut sebelum melakukan pekerjaan apa pun pada mesin. Kelalaian dalam mematikan dan melepaskan mesin dapat mengakibatkan cedera badan yang serius.

Penyimpanan kunci L

Saat tidak digunakan, simpan kunci L seperti terlihat pada gambar agar tidak hilang.

► **Gbr.29:** 1. Kunci L

Melepas dan memasang mata gergaji

PERINGATAN: Pastikan mesin dalam keadaan mati dan steker telah dicabut, sebelum melepas atau memasang mata pisau. Penyalaan yang tidak disengaja dapat menyebabkan cedera badan serius.

PERINGATAN: Gunakan hanya kunci pas Makita yang tersedia ketika memasang atau melepas mata pisau. Kelalaian dalam menggunakan kunci pas dapat mengakibatkan terlalu kencang atau kurang kencangnya baut soket segi-enam dan cedera serius.

Selalu kunci pegangan dengan posisi terangkat ketika melepas dan memasang mata pisau. Tarik pasak penahan dan putar sejauh 90° dengan pegangan terangkat.

► **Gbr.30:** 1. Posisi terbuka 2. Posisi terkunci 3. Pasak penahan

Melepas mata pisau

Kendurkan baut segi enam yang menahan penutup tengah menggunakan kunci L. Naikkan pelindung mata pisau dan penutup tengah.

► **Gbr.31:** 1. Penutup tengah 2. Kunci L 3. Pelindung mata pisau

Tekan kunci poros untuk mengunci spindel, dan gunakan kunci L untuk kendurkan baut soket segi-enam. Lalu lepas baut soket segi-enam, flensa luar, dan mata pisau.

► **Gbr.32:** 1. Kunci poros 2. Kunci L 3. Baut soket segi-enam (putar kiri) 4. Kendurkan 5. Kencangkan

Memasang mata pisau

Pasang mata pisau pada spindel dengan hati-hati, pastikan bahwa arah panah di permukaan mata pisau sesuai dengan arah pada kotak bilah pisau.

► **Gbr.33:** 1. Arah pada kotak mata pisau 2. Arah pada bilah pisau

Pasang flensa luar dan baut soket segi-enam.

Kencangkan baut soket segi-enam berlawanan dengan arah jarum jam dengan menggunakan kunci L sambil menekan kunci poros.

► **Gbr.34:** 1. Baut soket segi-enam 2. Flensa luar 3. Mata gergaji 4. Flensa dalam 5. Spindel 6. Cincin

PEMBERITAHUAN: Jika flensa dalam dilepaskan, pastikan untuk memasangnya pada spindel dengan bagian yang menonjol menjauhi mata pisau. Jika flensa dipasang dengan salah, flensa akan bergesekan dengan mesin.

Kembalikan pelindung mata pisau dan penutup tengah ke posisi semula. Kemudian kencangkan baut kepala segi-enam searah jarum jam untuk mengencangkan penutup tengah. Buka pasak penahan untuk melepaskan pegangan dari posisi terangkat. Turunkan pegangan untuk memastikan bahwa pelindung mata pisau bergerak dengan benar. Pastikan kunci poros telah melepas spindel sebelum melakukan pemotongan.

⚠️PERINGATAN: Sebelum memasang pisau ke dalam spindel, selalu pastikan cincin yang benar untuk lubang arbor pisau yang Anda tentukan untuk digunakan dipasang antara flensa dalam dan luar. Penggunaan cincin lubang arbor yang tidak tepat dapat menyebabkan pemasangan yang tidak tepat pada pisau yang menyebabkan gerakan pisau dan getaran parah yang menyebabkan hilangnya kendali selama pengoperasian dan cedera personal yang serius.

Menyambungkan pengisap debu

Ketika Anda ingin melakukan operasi pemotongan yang bersih, sambungkan pengisap debu Makita ke nosel debu menggunakan manset depan 24 (aksesori pilihan).

► **Gbr.35:** 1. Manset depan 24 2. Selang 3. Pengisap debu

Kantong debu

Penggunaan kantong debu membuat pekerjaan pemotongan menjadi bersih dan mempermudah pengumpulan debu. Untuk memasang kantong debu, lepaskan selang pengumpulan debu dari mesin dan pasang kantong debu.

► **Gbr.36:** 1. Selang pengumpulan debu 2. Kantong debu

Ketika kantong debu sudah berisi kira-kira setengah penuh, lepas kantong debu dari mesin dan cabut pengencangnya. Kosongkan isi kantong debu, tepuk dengan perlahan untuk membuang partikel-partikel yang menempel di bagian dalam yang mungkin bisa menghambat pengumpulan debu selanjutnya.

► **Gbr.37:** 1. Pengencang

Mengencangkan benda kerja

⚠️PERINGATAN: Merupakan hal yang sangat penting untuk selalu mengencangkan benda kerja dengan tipe ragum atau penahan cetakan berbingkai yang benar. Kegagalan dalam melakukannya dapat mengakibatkan cedera badan serius dan dapat merusak mesin dan/atau benda kerja.

⚠️PERINGATAN: Setelah pekerjaan pemotongan, jangan menaikan mata gergaji sampai mata pisau benar-benar berhenti. Naiknya mata pisau yang bergerak meluncur dapat menyebabkan cedera badan serius dan kerusakan pada benda kerja.

⚠️PERINGATAN: Ketika memotong benda kerja yang lebih panjang dari kedudukan tumpuan gergaji, keseluruhan panjang material harus ditopang melebihi kedudukan tumpuan dan dengan tinggi yang sama untuk menjaga material tetap sejajar. Tumpuan benda kerja yang memadai dapat membantu menghindari jepitan mata pisau dan hentakan balik yang dapat menyebabkan cedera badan serius. Jangan hanya mengandalkan pada ragum vertikal dan/atau ragum horizontal untuk mengikat benda kerja. Bahan yang tipis cenderung akan merosot. Topang benda kerja pada keseluruhan panjangnya untuk menghindari kemungkinan jepitan mesin dan HENTAKAN BALIK.

► **Gbr.38:** 1. Tumpuan 2. Dudukan putar

Pembatas-pembatas pemandu

⚠️PERINGATAN: Sebelum mengoperasikan mesin, pastikan pembatas atas telah terpasang dengan kencang.

⚠️PERINGATAN: Sebelum melakukan pemotongan siku-siku, pastikan tidak ada bagian mesin, terutama mata pisau, yang menyentuh pembatas atas dan bawah ketika mengangkat dan menurunkan pegangan di posisi apa pun dan ketika menggerakkan pegangan hingga mencapai batasnya. Jika mesin atau mata pisau menyentuh pembatas, hal ini dapat mengakibatkan hentakan balik atau gerakan material secara tak terduga dan menyebabkan cedera serius.

Gunakan pembatas atas untuk menahan material yang lebih tinggi dari pembatas bawah. Masukkan pembatas atas ke dalam lubang pada pembatas bawah dan kencangkan sekrup penjepit.

► **Gbr.39:** 1. Pembatas atas 2. Pembatas bawah 3. Sekrup penjepit 4. Sekrup penyatel

PEMBERITAHUAN: Pembatas bawah terpasang pada kedudukan pada pemasangan pabrik. Jangan lepaskan pembatas bawah.

PEMBERITAHUAN: Jika pembatas atas masih kendur setelah mengencangkan sekrup penjepit, putar sekrup penyatel untuk mengencangkan. Sekrup penyatel telah disetel dari pabrik. Anda tidak perlu menggunakannya kecuali diperlukan.

Anda dapat memasang pembatas atas pada penahan ketika tidak digunakan. Gunakan klip pada pembatas atas untuk memasangnya pada penahan.

► **Gbr.40:** 1. Penahan 2. Pembatas atas 3. Klip

Ragum vertikal

⚠️PERINGATAN: Benda kerja harus terpasang kuat pada dudukan putar dan pembatas pemandu dengan menggunakan ragum selama pengoperasian. Jika benda kerja tidak terpasang dengan kuat pada pembatas, material dapat bergerak selama operasi pemotongan yang menyebabkan kerusakan pada mata pisau, menyebabkan material terlempar, dan kehilangan kendali yang mengakibatkan cedera serius.

► **Gbr.41:** 1. Lengan ragum 2. Batang ragum 3. Sekrup penjepit 4. Knop ragum

Ragum vertikal dapat dipasang dalam dua posisi, baik di sisi kiri atau kanan dudukan. Masukkan batang ragum ke dalam lubang pada dudukan. Posisikan lengan ragum sesuai dengan ketebalan dan bentuk benda kerja lalu kunci posisi lengan ragum dengan mengencangkan sekrup. Jika sekrup penjepit mengenai pegangan, pasang sekrup di sisi berlawanan dari lengan ragum. Pastikan bahwa tidak ada bagian dari mesin yang menyentuh ragum saat menurunkan pegangan sepenuhnya. Jika ada yang menyentuh ragum, posisikan kembali ragumnya. Tekan benda kerja secara merata pada pembatas pemandu dan dudukan putar. Posisi benda kerja pada posisi pemotongan yang diinginkan dan kunci posisinya kuat-kuat dengan mengencangkan knop ragum.

CATATAN: Untuk mengatur benda kerja dengan cepat, memutar knop ragum 90° berlawanan arah jarum jam memungkinkan knop ragum digerakkan ke atas dan bawah. Untuk mengencangkan benda kerja setelah pengaturan, putar knop ragum searah jarum jam.

Ragum horizontal

Pilihan Aksesori

⚠️PERINGATAN: Selalu putar mur ragum searah jarum jam hingga benda kerja terpasang dengan kuat. Jika benda kerja tidak terpasang dengan kuat, material dapat bergerak selama operasi pemotongan yang menyebabkan kerusakan pada mata gergaji, menyebabkan material terlempar, dan kehilangan kendali yang mengakibatkan cedera serius.

⚠️PERINGATAN: Ketika memotong benda kerja yang tipis seperti papan alas, dengan menghadap pembatas, selalu gunakan ragum horizontal.

⚠️PERHATIAN: Ketika memotong benda kerja dengan ketebalan 20 mm atau lebih tipis, pastikan untuk menggunakan balok pengganjal untuk mengencangkan benda kerja.

Ragum horizontal dapat dipasang dalam dua posisi, baik di sisi kiri atau kanan dudukan. Ketika melakukan pemotongan miter dengan sudut 22,5° atau lebih, pasang ragum horizontal pada sisi yang berlawanan dengan arah putaran dudukan putar.

► **Gbr.42:** 1. Pelat ragum 2. Mur ragum 3. Knop ragum

Dengan memutar mur ragum berlawanan arah jarum jam, ragum dilepaskan, dan bergerak keluar dan masuk dengan cepat. Untuk memegang gagang benda kerja, tekan knop ragum hingga pelat ragum bersentuhan dengan benda kerja lalu putar mur ragum berlawanan arah jarum jam. Lalu putar knop ragum searah jarum jam untuk memasang benda kerja dengan kuat.

CATATAN: Lebar benda kerja yang dapat dikencangkan menggunakan ragum horizontal adalah 228 mm.

Penahan-penahan

⚠️PERINGATAN: Selalu topang benda kerja panjang sehingga sejajar dengan permukaan atas dudukan putar untuk potongan yang akurat dan untuk mencegah kehilangan kontrol mesin yang berbahaya. Tumpuan benda kerja yang memadai dapat membantu menghindari jepitan mata pisau dan hentakan balik yang dapat menyebabkan cedera badan serius.

Untuk menahan benda kerja panjang secara horizontal, penahan disediakan pada kedua sisi mesin. Kendurkan sekrup dan tarik penahan hingga mencapai panjang yang sesuai untuk menahan benda kerja. Lalu kencangkan sekrup.

► **Gbr.43:** 1. Penahan 2. Sekrup

PENGUNAAN

⚠️PERINGATAN: Pastikan bahwa mata gergaji tidak menyentuh benda kerja, dsb. sebelum sakelar dinyalakan. Menyalakan mesin dengan mata pisau yang mengenai benda kerja dapat menyebabkan hentakan balik dan cedera badan serius.

⚠️PERINGATAN: Setelah pekerjaan pemotongan, jangan menaikkan mata gergaji sampai mata pisau benar-benar berhenti. Naiknya mata pisau yang bergerak meluncur dapat menyebabkan cedera badan serius dan kerusakan pada benda kerja.

⚠️PERINGATAN: Jangan lakukan penyetelan apa pun seperti memutar gagang, knop, dan tuas pada mesin ketika mata gergaji berputar. Penyetelan saat mata pisau berputar dapat menyebabkan cedera serius.

PEMBERITAHUAN: Sebelum menggunakan, pastikan bahwa pasak penahan terbuka dan lepaskan pegangan dari posisi diturunkan.

PEMBERITAHUAN: Jangan terlalu menekan pegangan saat memotong. Gaya yang terlalu banyak dapat mengakibatkan kelebihan beban pada motor dan/atau penurunan efisiensi pemotongan. Tekan pegangan ke bawah hanya dengan gaya yang diperlukan untuk pemotongan halus dan tanpa menurunkan kecepatan mata pisau secara signifikan.

PEMBERITAHUAN: Tekan pegangan ke bawah perlahan untuk melakukan pemotongan. Jika pegangan ditekan dengan kuat atau diberi gaya lateral, pisau akan bergetar dan meninggalkan tanda (tanda gergaji) di benda kerja dan presisi pemotongan akan berkurang.

PEMBERITAHUAN: Selama pemotongan menyerong, tekan perlahan mesin ke arah pembatas pemandu tanpa berhenti. Jika pergerakan pegangan terhenti selama pemotongan, hal tersebut dapat meninggalkan tanda pada benda kerja dan presisi pemotongan dapat terganggu.

Tekan pemotongan

PERINGATAN: Selalu kunci gerakan pergeseran pegangan ketika melakukan pemotongan tekan. Melakukan pemotongan tanpa kunci dapat menyebabkan kemungkinan hentakan balik yang mengakibatkan cedera badan serius.

Benda kerja yang tingginya sampai 68 mm dan lebarnya 160 mm dapat dipotong dengan cara berikut.

► **Gbr.44:** 1. Pasak penahan

1. Tekan pegangan ke arah pembatas pemandu hingga berhenti dan kunci menggunakan pasak penahan.
2. Kencangkan benda kerja dengan tipe ragum yang sesuai.
3. Nyalakan mesin dengan kondisi mata gergaji bundar tidak menyentuh apa pun dan tunggu sampai mata gergaji bundar mencapai kecepatan penuh sebelum menurunkan.
4. Turunkan pegangan secara perlahan sampai ke posisi diturunkan sepenuhnya untuk memotong benda kerja.
5. Saat pemotongan selesai, matikan mesin dan **tunggu sampai mata gergaji bundar benar-benar berhenti** sebelum mengembalikan mata gergaji bundar ke posisi dinaikkan sepenuhnya.

Potongan menyerong (dorong) (memotong benda kerja lebar)

PERINGATAN: Ketika melakukan pemotongan menyerong, pertama-tama tarik mesin secara penuh ke arah Anda dan tekan pegangan sepenuhnya ke bawah, lalu dorong mesin ke arah pembatas pelindung. Jangan pernah memulai pemotongan dengan mesin yang tidak ditarik ke arah Anda sepenuhnya. Jika Anda melakukan pemotongan menyerong tanpa menarik penuh mesin ke arah Anda hentakan balik yang tidak diharapkan dapat terjadi dan mengakibatkan cedera badan serius.

PERINGATAN: Jangan pernah mencoba melakukan pemotongan menyerong dengan menarik mesin ke arah Anda. Menarik mesin ke arah Anda ketika proses pemotongan dapat menyebabkan hentakan balik yang tidak diharapkan yang mengakibatkan cedera badan serius.

PERINGATAN: Jangan pernah melakukan pemotongan menyerong dengan pegangan yang terkunci pada posisi lebih rendah.

► **Gbr.45:** 1. Pasak penahan

1. Buka pasak penahan sehingga pegangan dapat bergeser dengan bebas.
2. Kencangkan benda kerja dengan tipe ragum yang sesuai.
3. Tarik mesin secara penuh ke arah Anda.
4. Nyalakan mesin dengan kondisi mata gergaji tidak menyentuh apa pun dan tunggu sampai mata gergaji mencapai kecepatan penuh.
5. Tekan pegangan ke bawah dan **dorong mesin ke arah pembatas pelindung dan ke arah benda kerja.**
6. Saat pemotongan selesai, matikan mesin dan **tunggu sampai mesin benar-benar berhenti** sebelum mengembalikan mata gergaji ke posisi dinaikkan sepenuhnya.

Pemotongan sudut miter

Lihat bagian untuk menyyetel sudut miter.

Potongan siku-siku

⚠️PERINGATAN: Setelah menyetel mata pisau untuk potongan siku-siku, pastikan mesin dan mata gergaji dapat menjangkau dengan bebas seluruh rentang pemotongan yang diinginkan.

Gangguan pada mesin atau jangkauan mata pisau selama pemotongan dapat mengakibatkan hentakan balik dan cedera badan serius.

⚠️PERINGATAN: Selama melakukan potongan siku-siku, jauhkan tangan Anda dari jalur mata gergaji. Sudut mata pisau dapat disangka sebagai jalur mata pisau sebenarnya oleh operator ketika memotong dan sentuhan dengan mata pisau dapat mengakibatkan cedera badan serius.

⚠️PERINGATAN: Mata gergaji tidak boleh dinaikkan hingga mata pisau benar-benar berhenti. Selama potongan siku-siku bagian yang dipotong dapat terjatuh ke arah mata gergaji. Jika mata pisau dinaikkan ketika sedang berputar, potongan dapat dilontarkan oleh mata pisau yang menyebabkan bahan menjadi pecahan yang dapat mengakibatkan cedera badan serius.

PEMBERITAHUAN: Saat menekan pegangan ke bawah, beri tekanan yang sejajar dengan mata pisau. Jika tekanan diberikan tegak lurus dengan dudukan putar atau jika arah tekanan diganti selama pemotongan, presisi pemotongan akan terganggu.

► Gbr.46

1. Lepaskan pembatas atas pada sisi arah Anda memiringkan pegangan.
2. Buka pasak penahan.
3. Setel sudut siku-siku sesuai prosedur yang dijelaskan pada bagian untuk penyetelan sudut siku-siku. Lalu kencangkan knop.
4. Kencangkan benda kerja dengan ragum.
5. Tarik mesin secara penuh ke arah Anda.
6. Nyalakan mesin dengan kondisi mata pisau tidak menyentuh apa pun dan tunggu sampai mata pisau mencapai kecepatan penuh.
7. Turunkan pegangan perlahan sepenuhnya ke posisi yang lebih rendah ketika menekan secara sejajar dengan mata pisau dan **dorong mesin ke arah pembatas pelindung untuk memotong benda kerja.**
8. Saat pemotongan selesai, matikan mesin dan **tunggu sampai mesin benar-benar berhenti** sebelum mengembalikan mata pisau ke posisi dinaikkan sepenuhnya.

Pemotongan campuran

Pemotongan campuran adalah proses di mana sudut siku-siku dibuat secara bersamaan saat sudut miter dibuat di benda kerja. Pemotongan campuran dapat dilakukan pada sudut yang ditunjukkan pada tabel.

Sudut miter	Sudut siku-siku
Kiri dan Kanan 0° - 45°	Kiri dan Kanan 0° - 45°

Saat melakukan pemotongan campuran, merujuklah pada bagian untuk pemotongan tekan, pemotongan menyerong (dorong), pemotongan sudut miter, dan potongan siku-siku.

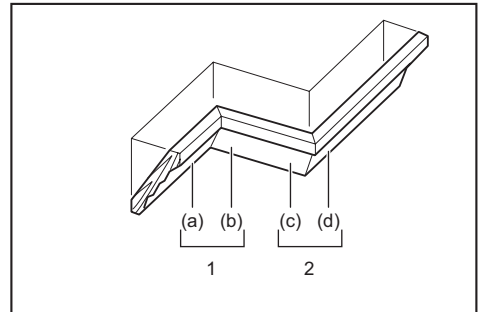
Memotong cetakan berbingkai dan melengkung

Cetakan berbingkai dan melengkung dapat dipotong dengan gergaji miter kombinasi dengan cetakan diletakkan lurus pada dudukan putar.

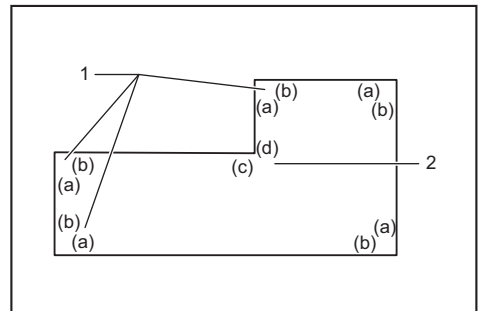
Terdapat dua tipe cetakan berbingkai pada umumnya dan satu tipe cetakan melengkung, cetakan berbingkai dengan sudut dinding 52/38°, cetakan berbingkai dengan sudut dinding 45° dan cetakan melengkung dengan sudut dinding 45°.

- **Gbr.47:** 1. Cetakan berbingkai tipe 52/38°
2. Cetakan berbingkai tipe 45° 3. Cetakan melengkung tipe 45°

Terdapat gabungan cetakan berbingkai dan melengkung yang dibuat untuk menyesuaikan dengan sudut 90° "dalam" ((a) dan (b) pada gambar) dan sudut 90° "luar" ((c) dan (d) pada gambar.)



1. Sudut dalam 2. Sudut luar



1. Sudut dalam 2. Sudut luar

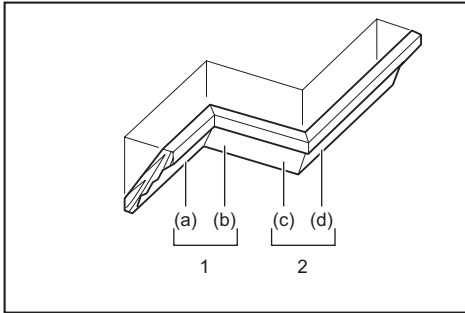
Mengukur

Ukur lebar dinding dan sesuaikan lebar benda kerja dengan dinding. Selalu pastikan lebar dinding benda kerja yang menyentuh tepian memiliki panjang yang sama dengan dinding.

► **Gbr.48:** 1. Benda kerja 2. Lebar dinding 3. Lebar benda kerja 4. Tepian yang menyentuh dinding

Selalu gunakan beberapa potongan untuk menguji pemotongan untuk memeriksa sudut gergaji. Ketika memotong cetakan berbingkai dan melengkung, atur sudut siku-siku dan sudut miter seperti yang ditunjukkan pada tabel (A) dan posisikan cetakan pada bagian atas permukaan dudukan gergaji seperti yang ditunjukkan pada tabel (B).

Untuk kasus pemotongan siku-siku kiri



1. Sudut dalam 2. Sudut luar

Tabel (A)

-	Posisi cetakan pada gambar	Sudut siku-siku		Sudut miter	
		Tipe 52/38°	Tipe 45°	Tipe 52/38°	Tipe 45°
Untuk sudut dalam	(a)	Kiri 33,9°	Kiri 30°	Kanan 31,6°	Kanan 35,3°
	(b)			Kiri 31,6°	Kiri 35,3°
Untuk sudut luar	(c)			Kanan 31,6°	Kanan 35,3°
	(d)				

Tabel (B)

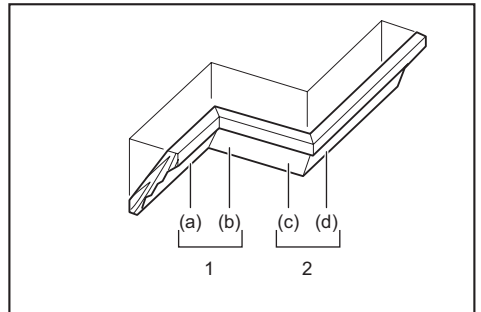
-	Posisi cetakan pada gambar	Tepian cetakan pada pembatas pelindung	Potongan yang telah selesai
Untuk sudut dalam	(a)	Tepian yang menyentuh langit-langit harus bertlawanan dengan pembatas pelindung.	Potongan yang telah selesai akan berada pada sisi kiri mata pisau.
	(b)	Tepian yang menyentuh dinding harus bertlawanan dengan pembatas pelindung.	
Untuk sudut luar	(c)	Tepian yang menyentuh dinding harus bertlawanan dengan pembatas pelindung.	Potongan yang telah selesai akan berada pada sisi Kanan mata pisau.
	(d)	Tepian yang menyentuh langit-langit harus bertlawanan dengan pembatas pelindung.	

Contoh:

Pada kasus pemotongan cetakan berbingkai tipe 52/38° untuk posisi (a) pada gambar di atas:

- Miringkan dan kencangkan pengaturan sudut siku-siku ke 33,9° KIRI.
- Setel dan kencangkan pengaturan sudut miter ke 31,6° KANAN.
- Simpan cetakan berbingkai dengan permukaan bagian belakang yang luas (tersembunyi) menghadap ke bawah pada dudukan putar dengan TEPIAN YANG MENYENTUH LANGIT-LANGIT bertlawanan dengan pembatas pelindung pada gergaji.
- Potongan yang telah selesai yang akan digunakan akan selalu berada pada sisi KIRI mata pisau setelah pemotongan dilakukan.

Untuk kasus potongan siku-siku kanan



1. Sudut dalam 2. Sudut luar

Tabel (A)

-	Posisi cetakan pada gambar	Sudut siku-siku		Sudut miter	
		Tipe 52/38°	Tipe 45°	Tipe 52/38°	Tipe 45°
Untuk sudut dalam	(a)	Kanan 33,9°	Kanan 30°	Kanan 31,6°	Kanan 35,3°
	(b)			Kiri 31,6°	Kiri 35,3°
Untuk sudut luar	(c)			Kanan 31,6°	Kanan 35,3°
	(d)				

Tabel (B)

-	Posisi cetakan pada gambar	TEPIAN cetakan pada pembatas pelindung	Potongan yang telah selesai
Untuk sudut dalam	(a)	TEPIAN yang menyentuh dinding harus berlawanan dengan pembatas pemandu.	Potongan yang telah selesai akan berada pada sisi Kanan mata pisau.
	(b)	TEPIAN yang menyentuh langit-langit harus berlawanan dengan pembatas pemandu.	Potongan yang telah selesai akan berada pada sisi kiri mata pisau.
Untuk sudut luar	(c)	TEPIAN yang menyentuh dinding harus berlawanan dengan pembatas pemandu.	
	(d)	TEPIAN yang menyentuh dinding harus berlawanan dengan pembatas pemandu.	

Contoh:

Pada kasus pemotongan cetakan berbingkai tipe 52/38° untuk posisi (a) pada gambar di atas:

- Miringkan dan kencangkan pengaturan sudut siku-siku ke 33,9° KANAN.
- Setel dan kencangkan pengaturan sudut miter ke 31,6° KANAN.
- Simpan cetakan berbingkai dengan permukaan bagian belakang yang luas (tersembunyi) menghadap ke bawah pada kedudukan putar dengan TEPIAN YANG MENYENTUH DINDING berlawanan dengan pembatas pemandu pada gergaji.
- Potongan yang telah selesai yang akan digunakan akan selalu berada pada sisi KANAN mata pisau setelah pemotongan dilakukan.

Penahan cetakan berbingkai

Pilihan Aksesori

Penahan cetakan berbingkai memungkinkan pemotongan cetakan berbingkai dengan lebih mudah tanpa memiringkan mata gergaji. Pasang penahan pada kedudukan putar seperti yang ditunjukkan pada gambar.

Pada sudut miter kanan 45°

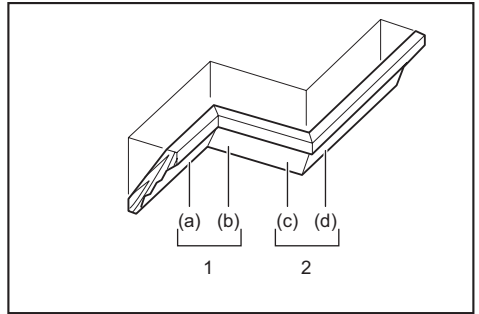
- **Gbr.49:** 1. Penahan cetakan berbingkai Kr
2. Penahan cetakan berbingkai Kn
3. Dudukan putar 4. Pembatas pemandu

Pada sudut miter kiri 45°

- **Gbr.50:** 1. Penahan cetakan berbingkai Kr
2. Penahan cetakan berbingkai Kn
3. Dudukan putar 4. Pembatas pemandu

Posisikan cetakan berbingkai pada TEPIAN YANG MENYENTUH DINDING menghadap pembatas pemandu dan TEPIAN YANG MENYENTUH LANGIT-LANGIT menghadap penahan cetakan berbingkai seperti pada gambar. Setel penahan cetakan berbingkai sesuai ukuran cetakan berbingkai. Kencangkan sekrup untuk memasang penahan cetakan berbingkai dengan kuat. Lihat tabel (C) untuk sudut miter.

- **Gbr.51:** 1. Pembatas pemandu 2. Penahan cetakan berbingkai



1. Sudut dalam 2. Sudut luar

Tabel (C)

-	Posisi cetakan pada gambar	Sudut miter	Potongan yang telah selesai
Untuk sudut dalam	(a)	Kanan 45°	Simpan sisi kanan mata pisau
	(b)	Kiri 45°	Simpan sisi kiri mata pisau
Untuk sudut luar	(c)		Simpan sisi kanan mata pisau
	(d)	Kanan 45°	Simpan sisi kiri mata pisau

Memotong ekstrusi aluminium

- **Gbr.52:** 1. Ragum 2. Balok pengganjal 3. Pembatas pemandu 4. Ekstrusi aluminium 5. Balok pengganjal

Saat mengencangkan ekstrusi aluminium, gunakan balok peruang atau potongan bahan bekas seperti ditunjukkan pada gambar untuk mencegah perubahan bentuk pada aluminium. Gunakan pelumas potong ketika memotong ekstrusi aluminium untuk mencegah terjadinya penumpukan bahan aluminium pada mata gergaji bundar.

⚠️PERINGATAN: Jangan sekali-kali mencoba untuk memotong ekstrusi aluminium yang tebal atau bulat. Ekstrusi aluminium yang tebal atau bulat akan sulit dikencangkan dan benda kerja dapat kendur saat operasi pemotongan yang menyebabkan kehilangan kontrol dan cedera serius.

Pemotongan alur

⚠️PERINGATAN: Jangan mencoba untuk melakukan tipe pemotongan ini dengan menggunakan tipe mata pisau yang lebih lebar atau mata pisau dado. Mencoba untuk membuat potongan alur dengan mata pisau yang lebih besar atau mata pisau dado dapat menyebabkan hasil pemotongan dan hentakan balik yang tidak diharapkan yang dapat mengakibatkan cedera badan serius.

⚠️PERINGATAN: Pastikan untuk mengembalikan lengan penahan ke posisi semula ketika melakukan selain pemotongan alur. Mencoba untuk membuat potongan dengan lengan penahan pada posisi yang salah dapat menyebabkan hasil pemotongan dan hentakan balik yang tidak diharapkan yang dapat mengakibatkan cedera badan serius.

Untuk potongan tipe dado, lakukan hal berikut:

1. Setel posisi batas bawah mata gergaji bundar dengan menggunakan sekrup penyetel dan lengan penahan untuk membatasi kedalaman pemotongan mata gergaji bundar. Lihat pada bagian untuk lengan penahan.
 2. Setelah menyetel posisi batas bawah mata gergaji bundar, potong alur sejajar melintasi sepanjang lebar benda kerja menggunakan potongan menyerong (dorong).
- **Gbr.53:** 1. Memotong alur dengan mata pisau
3. Lepaskan bahan benda kerja di antara alur dengan alat pahat.

Membawa mesin

Sebelum membawa mesin, pastikan untuk mencabut steker dan semua komponen gerak dari gergaji adu manis telah terkunci dengan kuat. Selalu periksa hal berikut:

- Steker mesin dicabut.
- Pegangan berada di posisi sudut siku-siku 0° dan dikencangkan.
- Pegangan diturunkan dan dikunci.
- Pegangan digeser sepenuhnya ke pembatas pemandu dan dikunci.
- Dudukan putar berada pada posisi sudut miter kanan sepenuhnya dan dikencangkan.
- Penahan disimpan dan dikencangkan.

Bawa mesin dengan menahan kedua sisi dudukan mesin seperti pada gambar.

► **Gbr.54**

⚠️PERINGATAN: Pasak penahan untuk mengangkat pegangan hanya untuk tujuan membawa atau penyimpanan dan bukan untuk pengoperasian pemotongan. Penggunaan pasak penahan untuk melakukan pemotongan dapat menyebabkan pergerakan mata gergaji yang tidak diharapkan dan mengakibatkan hentakan balik dan cedera badan serius.

⚠️PERHATIAN: Selalu kencangkan semua bagian yang bergerak sebelum mesin dibawa. Jika bagian mesin bergerak atau bergeser ketika sedang dibawa, kehilangan kontrol atau keseimbangan dapat terjadi dan mengakibatkan cedera badan.

PERAWATAN

⚠️PERINGATAN: Selalu pastikan bahwa mesin dimatikan dan steker dicabut sebelum melakukan pemeriksaan atau perawatan. Kelalaian dalam mencabut steker dan mematikan mesin dapat berakibat mesin menyala tiba-tiba dan mengakibatkan cedera serius.

⚠️PERINGATAN: Selalu pastikan bahwa mata pisau tajam dan bersih untuk mendapatkan kinerja terbaik dan teraman. Mencoba untuk memotong dengan mata pisau yang tumpul dan / atau kotor karena akan menyebabkan hentakan balik dan menyebabkan cedera badan serius.

PEMBERITAHUAN: Jangan sekali-kali menggunakan bensin, tiner, alkohol, atau bahan sejenisnya. Penggunaan bahan demikian dapat menyebabkan perubahan warna, perubahan bentuk atau timbulnya retakan.

Menyetel sudut pemotongan

Mesin ini disetel dan disejajarkan dengan cermat di pabrik, namun penanganan yang kasar mungkin akan mempengaruhi kesejajarannya. Jika mesin Anda tidak sejajar dengan baik, lakukan sebagaimana berikut:

Sudut miter

Turunkan pegangan sepenuhnya dan kunci pada posisi diturunkan dengan pasak penahan. Tekan pegangan ke arah pembatas pemandu. Kendurkan gagang dan sekrup yang mengencangkan penunjuk dan skala sudut miter.

► **Gbr.55:** 1. Sekrup pada penunjuk 2. Sekrup pada skala sudut miter 3. Skala miter

Atur dudukan putar ke posisi 0° menggunakan fungsi penahan positif. Tegakkan sisi mata pisau dengan bagian muka pembatas pemandu menggunakan penggaris segitiga atau penggaris siku-siku. Dalam posisi ditegakkan, kencangkan sekrup pada skala sudut miter. Setelah itu, sejajarkan penunjuk (kanan dan kiri) dengan posisi 0° pada skala sudut miter dan kemudian kencangkan sekrup pada penunjuk.

► **Gbr.56:** 1. Penggaris segitiga

Sudut siku-siku

Sudut siku-siku 0°

Tekan pegangan ke arah pembatas pemandu dan kunci gerakan geser menggunakan pasak penahan. Turunkan pegangan sepenuhnya dan kunci pada posisi diturunkan dengan pasak penahan dan kemudian kendurkan knop. Putar baut penyetal 0° dua atau tiga putaran berlawanan arah jarum jam untuk memiringkan mata gergaji ke kanan.

► **Gbr.57:** 1. Baut penyetal 0° 2. Sekrup

Dengan hati-hati, tegakkan sisi mata gergaji dengan permukaan atas dudukan putar menggunakan penggaris segitiga, penggaris siku-siku, dsb. dengan memutar baut penyetal 0° searah jarum jam. Kemudian kencangkan knop untuk mengunci sudut 0° yang telah Anda atur.

► **Gbr.58:** 1. Penggaris segitiga 2. Mata gergaji
3. Permukaan atas dudukan putar

Periksa sekali lagi apakah bagian samping mata gergaji tegak lurus dengan permukaan dudukan putar. Kendurkan sekrup pada penunjuk. Sejajarkan penunjuk dengan posisi 0° pada skala sudut siku-siku dan kencangkan sekrup.

Sudut siku-siku 45°

PEMBERITAHUAN: Sebelum menyetal sudut siku-siku 45°, selesaikan penyetalan sudut siku-siku 0° terlebih dahulu.

Kendurkan knop dan miringkan pegangan sepenuhnya ke sisi yang ingin Anda periksa. Periksa apakah penunjuk mengindikasikan posisi 45° pada skala sudut siku-siku.

► **Gbr.59**

Jika penunjuk tidak mengindikasikan posisi 45°, sejajarkan pada posisi 45° dengan memutar baut penyetal pada sisi berlawanan dari skala sudut siku-siku.

► **Gbr.60:** 1. Baut penyetal kiri 45° 2. Baut penyetal kanan 45°

Menyetel posisi garis laser

Hanya untuk model LS1019L

PERINGATAN: Steker mesin harus dicabut ketika menyetal garis laser. Berhati-hatilah agar tidak menyalakan mesin selama penyetalan. Penyalaan yang tidak disengaja dapat menyebabkan cedera badan serius.

PERHATIAN: Jangan melihat cahaya laser secara langsung. Paparan langsung pada mata dapat menyebabkan cedera serius pada mata Anda.

PEMBERITAHUAN: Periksa posisi garis laser secara rutin untuk menjamin keakuratan laser.

PEMBERITAHUAN: Berhati-hatilah agar tidak membenturkan mesin. Hal tersebut dapat menyebabkan garis laser tidak sejajar atau menyebabkan kerusakan pada laser yang dapat mengurangi masa pakainya.

PEMBERITAHUAN: Bawalah mesin ke pusat layanan resmi Makita untuk memperbaiki kerusakan pada unit laser.

Rentang gerak garis laser ditentukan oleh sekrup penyetal rentang pada kedua sisi. Lakukan prosedur berikut untuk mengubah posisi garis laser.

1. Cabut steker mesin dari stopkontak.
2. Buat garis potongan pada benda kerja dan letakkan pada dudukan putar. Saat ini, jangan kencangkan benda kerja pada ragum atau alat yang serupa.
3. Kendurkan pegangan dan sejajarkan garis pemotongan dengan mata gergaji.
4. Kembalikan pegangan ke posisi semula dan kencangkan benda kerja dengan ragum vertikal sehingga benda kerja tidak bergerak dari posisi yang telah Anda tentukan.
5. Sambungkan mesin pada daya dan nyalakan sakelar laser.
6. Kendurkan sekrup penyetal. Untuk menggerakkan garis laser menjauhi mata pisau, putar sekrup penyetalan rentang berlawanan arah jarum jam. Untuk menggerakkan garis laser mendekati mata pisau, putar sekrup penyetal rentang searah jarum jam.

Menyetel garis laser pada sisi kiri mata pisau

► **Gbr.61:** 1. Sekrup penyetal 2. Sekrup penyetal rentang 3. Kunci L 4. Garis laser 5. Mata gergaji

Menyetel garis laser pada sisi kanan mata pisau

► **Gbr.62:** 1. Sekrup penyetal 2. Sekrup penyetal rentang 3. Kunci L 4. Garis laser 5. Mata gergaji

7. Geser sekrup penyetal pada posisi di mana garis laser berada tepat di garis pemotongan, kemudian kencangkan.

CATATAN: Rentang gerakan garis laser telah diatur pabrik sejauh 1 mm (0,04") dari permukaan samping mata pisau.

Membersihkan lensa cahaya laser

Hanya untuk model LS1019L

Cahaya laser menjadi sulit dilihat ketika lensa mulai kotor. Bersihkan lensa cahaya laser secara berkala.

► **Gbr.63:** 1. Sekrup 2. Lensa

Cabut steker mesin dari stopkontak. Kendorkan sekrup dan keluarkan lensa. Bersihkan lensa dengan perlahan menggunakan kain halus yang basah.

PEMBERITAHUAN: Jangan lepas sekrup yang mengunci lensa. Jika lensa tidak terlepas, kendorkan sekrup.

PEMBERITAHUAN: Jangan menggunakan pelarut atau pembersih berbahan minyak bumi pada lensa.

Mengganti sikat karbon

► **Gbr.64:** 1. Tanda batas

Lepas dan periksa sikat karbon secara teratur. Lepas ketika aus sampai tanda batas. Jaga agar sikat karbon tetap bersih dan tidak bergeser dari penahan. Kedua sikat karbon harus diganti pada waktu yang sama. Hanya gunakan sikat karbon yang sama. Gunakan obeng untuk melepas tutup tempat sikat. Tarik keluar sikat karbon yang aus, masukkan yang baru dan pasang tutup tempat sikat.

► **Gbr.65:** 1. Tutup tempat sikat

Setelah mengganti sikat, pasang steker mesin dan kembangkan sikat dengan menyalakan mesin tanpa beban selama kira-kira 10 menit. Lalu periksa mesin ketika menyala dan penggunaan rem elektrik ketika melepas pelatuk sakelar. Jika rem elektrik tidak bekerja dengan benar, mintalah pusat layanan Makita terdekat untuk memperbaikinya.

Setelah penggunaan

Setelah digunakan, buang geram dan debu yang menempel pada mesin menggunakan kain atau sejenisnya. Jaga agar pelindung mata pisau tetap bersih sesuai dengan petunjuk berjudul "Pelindung mata mesin" yang dijelaskan sebelumnya. Lumasi bagian yang bergeser dengan minyak mesin untuk mencegah timbulnya karat.

Untuk menjaga KEAMANAN dan KEANDALAN mesin, perbaikan, perawatan atau penyetulan lainnya harus dilakukan oleh Pusat Layanan Resmi atau Pabrik Makita; selalu gunakan suku cadang pengganti buatan Makita.

AKSESORI PILIHAN

⚠PERINGATAN: Dianjurkan untuk menggunakan aksesoris atau perangkat tambahan Makita ini dengan mesin Makita Anda yang ditentukan dalam petunjuk ini. Penggunaan aksesoris atau perangkat tambahan lainnya dapat mengakibatkan cedera badan serius.

⚠PERINGATAN: Hanya gunakan aksesoris atau perangkat tambahan Makita sesuai dengan peruntukannya. Salah penggunaan dari aksesoris atau perangkat tambahan dapat mengakibatkan cedera badan serius.

Jika Anda memerlukan bantuan lebih rinci berkenaan dengan aksesoris ini, tanyakan pada Pusat Layanan Makita terdekat.

- Mata gergaji berujung baja & carbide
- Ragum vertikal
- Ragum horizontal
- Set penahan cetakan berbingkai
- Kantong debu
- Penggaris segitiga
- Kunci L
- Kunci L (untuk LS1019L)

CATATAN: Beberapa item dalam daftar tersebut mungkin sudah termasuk dalam paket mesin sebagai aksesoris standar. Hal tersebut dapat berbeda dari satu negara ke negara lainnya.

THÔNG SỐ KỸ THUẬT

Kiểu máy:		LS1019	LS1019L
Đường kính lưỡi cưa	Các quốc gia Châu Âu	260 mm	
	Các quốc gia khác ngoài Châu Âu	255 mm - 260 mm	
Đường kính lỗ	Các quốc gia Châu Âu	30 mm	
	Các quốc gia khác ngoài Châu Âu	25,4 mm	
Độ dày rãnh cưa tối đa của lưỡi cưa		3,2 mm	
Góc vát chéo tối đa		Trái 60°, Phải 60°	
Góc xiên tối đa		Trái 48°, Phải 48°	
Tốc độ không tải (RPM)		3.200 min ⁻¹	
Loại laser		-	Laser Ánh sáng đỏ 650 nm, Công suất tối đa < 1.6mW (Laser Cấp độ 2M)
Kích thước (D x R x C)		805 mm x 644 mm x 660 mm	
Khối lượng tịnh		26,1 kg	26,3 kg

Khả năng cắt tối đa (C x R)

Góc vát	Góc xiên		
	45° (trái)	0°	45° (phải)
0°	42 mm x 310 mm 58 mm x 279mm	68 mm x 310 mm 91 mm x 279 mm	29 mm x 310 mm 43 mm x 279 mm
45° (phải và trái)	42 mm x 218 mm 58 mm x 197 mm	68 mm x 218 mm 91 mm x 197 mm	29 mm x 218 mm 43 mm x 197 mm
60° (phải và trái)	-	68 mm x 155 mm 91 mm x 139 mm	-




Khả năng cắt cho các kiểu cắt đặc biệt

Kiểu cắt	Khả năng cắt
Đường gờ bao quanh loại 45° (sử dụng thanh chặn đường gờ bao quanh)	168 mm
Tấm đế (sử dụng bàn kẹp ngang)	133 mm

- Do chương trình nghiên cứu và phát triển liên tục của chúng tôi nên các thông số kỹ thuật trong đây có thể thay đổi mà không cần thông báo trước.
- Các thông số kỹ thuật có thể thay đổi tùy theo từng quốc gia.
- Khối lượng tùy theo Quy trình EPTA tháng 01/2014

Ký hiệu

Phần dưới đây cho biết các ký hiệu được dùng cho thiết bị. Đảm bảo rằng bạn hiểu rõ ý nghĩa của các ký hiệu này trước khi sử dụng.

	Đọc tài liệu hướng dẫn.
	CÁCH ĐIỆN CẤP 2
	Để tránh thương tích do các mảnh vụn bay, sau khi cắt, ấn giữ đầu cưa xuống cho đến khi lưỡi cưa đi đến điểm dừng cuối cùng.

	Khi thực hiện cắt xiên góc, đầu tiên phải xoay núm ngược chiều kim đồng hồ rồi mới nghiêng bàn trượt. Sau đó, xoay núm theo chiều kim đồng hồ để siết chặt lại.
	Khi thực hiện cắt trượt, trước tiên kéo hoàn toàn bàn trượt và ấn tay cầm xuống, rồi đẩy bàn trượt về phía tấm chắn dẫn hướng.
	Nhấn giữ nút nhà khi nghiêng bàn trượt sang phải.
	Gài cản chặn khi cắt bàn đế ở góc vát 45°.
	Không được đặt bàn tay hoặc ngón tay gần các lưỡi cưa.



Không bao giờ được nhìn vào chùm tia laser. Chùm tia laser trực tiếp có thể làm tổn thương mắt của bạn.



Không lắp bàn kẹp ngang theo cùng một hướng với các vật góc. (Biểu tượng này được áp dụng trên bàn kẹp ngang)



Chỉ dành cho các quốc gia EU
Không thải bỏ thiết bị điện cùng với các chất thải sinh hoạt! Để tuân thủ Chỉ thị của Châu Âu về thiết bị điện và điện tử thải bỏ, và thi hành những chỉ thị này phù hợp với luật lệ quốc gia, thiết bị điện tử không còn sử dụng được nữa phải được thu nhặt riêng và đưa trở lại một cơ sở tái chế tương thích với môi trường.

Mục đích sử dụng

Dụng cụ này được thiết kế để cắt thẳng và cắt vát góc chính xác cho vật liệu gỗ. Với các lưỡi cưa thích hợp, máy có thể cưa được cả nhôm.

Nguồn cấp điện

Dụng cụ này chỉ được nối với nguồn cấp điện có điện áp giống như đã chỉ ra trên biển tên và chỉ có thể được vận hành trên nguồn điện AC đơn pha. Chúng được cách điện hai lớp và do đó cũng có thể được sử dụng từ các ổ cắm điện không có dây tiếp đất.

CẢNH BÁO AN TOÀN

Cảnh báo an toàn chung dành cho dụng cụ máy

⚠ CẢNH BÁO: Xin đọc tất cả các cảnh báo an toàn, hướng dẫn, minh họa và thông số kỹ thuật đi kèm với dụng cụ máy này. Việc không tuân theo các hướng dẫn được liệt kê dưới đây có thể dẫn đến điện giật, hỏa hoạn và/hoặc thương tích nghiêm trọng.

Lưu giữ tất cả cảnh báo và hướng dẫn để tham khảo sau này.

Thuật ngữ “dụng cụ máy” trong các cảnh báo đề cập đến dụng cụ máy (có dây) được vận hành bằng nguồn điện chính hoặc dụng cụ máy (không dây) được vận hành bằng pin của bạn.

An toàn tại nơi làm việc

- Giữ nơi làm việc sạch sẽ và có đủ ánh sáng.** Nơi làm việc bừa bộn hoặc tối thường dễ gây ra tai nạn.
- Không vận hành dụng cụ máy trong môi trường cháy nổ, ví dụ như môi trường có sự hiện diện của các chất lỏng, khí hoặc bụi dễ cháy.** Các dụng cụ máy tạo tia lửa điện có thể làm bụi hoặc khí bốc cháy.
- Giữ trẻ em và người ngoài tránh xa nơi làm việc khi đang vận hành dụng cụ máy.** Sự xao lãng có thể khiến bạn mất khả năng kiểm soát.

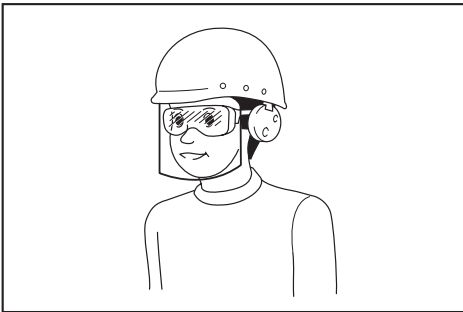
An toàn về Điện

- Phích cắm của dụng cụ máy phải khớp với ổ cắm. Không được sửa đổi phích cắm theo bất kỳ cách nào. Không sử dụng bất kỳ phích chuyển đổi nào với các dụng cụ máy được nối đất (tiếp đất).** Các phích cắm còn nguyên vẹn và ổ cắm phù hợp sẽ giảm nguy cơ điện giật.
- Tránh để cơ thể tiếp xúc với các bề mặt nóng đất hoặc tiếp đất như đường ống, bộ tản nhiệt, bếp ga và tủ lạnh.** Nguy cơ bị điện giật sẽ tăng lên nếu cơ thể bạn được nối đất hoặc tiếp đất.
- Không để dụng cụ máy tiếp xúc với mưa hoặc trong điều kiện ẩm ướt.** Nước lọt vào dụng cụ máy sẽ làm tăng nguy cơ điện giật.
- Không lạm dụng dây điện. Không được phép sử dụng dây để mang, kéo hoặc tháo phích cắm dụng cụ máy. Giữ dây tránh xa nguồn nhiệt, dầu, các mép sắc hoặc các bộ phận chuyển động.** Dây bị hỏng hoặc bị rối sẽ làm tăng nguy cơ điện giật.
- Khi vận hành dụng cụ máy ngoài trời, hãy sử dụng dây kéo dài phù hợp cho việc sử dụng ngoài trời.** Việc dùng dây phù hợp cho việc sử dụng ngoài trời sẽ giảm nguy cơ điện giật.
- Nếu bất buộc phải vận hành dụng cụ máy ở nơi ẩm ướt, hãy sử dụng nguồn cấp điện được bảo vệ bằng thiết bị ngắt dòng điện rò (RCD).** Việc sử dụng RCD sẽ làm giảm nguy cơ điện giật.
- Chúng tôi luôn khuyên bạn sử dụng nguồn cấp điện qua thiết bị RCD có thể ngắt dòng điện rò định mức 30 mA hoặc thấp hơn.**
- Các dụng cụ máy có thể tạo ra từ trường điện (EMF) có hại cho người dùng.** Tuy nhiên, người dùng máy trợ tim và những thiết bị y tế tương tự khác nên liên hệ với nhà sản xuất thiết bị và/hoặc bác sỹ để được tư vấn trước khi vận hành dụng cụ này.
- Không chạm vào đầu cắm điện bằng tay ướt.**
- Nếu dây bị hỏng, hãy nhờ nhà sản xuất hoặc đại lý thay dây mới để tránh nguy hiểm về an toàn.**

An toàn Cá nhân

- Luôn tỉnh táo, quan sát những việc bạn đang làm và sử dụng những phán đoán theo kinh nghiệm khi vận hành dụng cụ máy. Không sử dụng dụng cụ máy khi bạn đang mệt mỏi hoặc chịu ảnh hưởng của ma túy, rượu hay thuốc.** Chỉ một khoảnh khắc không tập trung khi đang vận hành dụng cụ máy cũng có thể dẫn đến thương tích cá nhân nghiêm trọng.
- Sử dụng thiết bị bảo hộ cá nhân. Luôn đeo thiết bị bảo vệ mắt.** Các thiết bị bảo hộ như mặt nạ chống bụi, giày an toàn chống trượt, mũ bảo hộ hay thiết bị bảo vệ thính giác được sử dụng trong các điều kiện thích hợp sẽ giúp giảm thương tích cá nhân.
- Tránh vô tình khởi động dụng cụ máy. Đảm bảo công tắc ở vị trí off (tắt) trước khi nối nguồn điện và/hoặc bộ pin, cầm hoặc di chuyển dụng cụ máy.** Việc di chuyển dụng cụ máy khi đang đặt ngón tay ở vị trí công tắc hoặc cấp điện cho dụng cụ máy đang bật thường dễ gây ra tai nạn.

4. **Tháo tất cả các khóa hoặc cờ lê điều chỉnh trước khi bật dụng cụ máy.** Việc cờ lê hoặc khóa vẫn còn gắn vào bộ phận quay của dụng cụ máy có thể dẫn đến thương tích cá nhân.
5. **Không vớ quá cao. Luôn giữ thẳng bằng tốt và có chỗ để chân phù hợp.** Điều này cho phép điều khiển dụng cụ máy tốt hơn trong những tình huống bất ngờ.
6. **Ăn mặc phù hợp. Không mặc quần áo rộng hay đeo đồ trang sức. Giữ tóc và quần áo tránh xa các bộ phận chuyển động.** Quần áo rộng, đồ trang sức hay tóc dài có thể mắc vào các bộ phận chuyển động.
7. **Nếu các thiết bị được cung cấp để kết nối các thiết bị thu gom và hút bụi, hãy đảm bảo chúng được kết nối và sử dụng hợp lý.** Việc sử dụng thiết bị thu gom bụi có thể làm giảm những mối nguy hiểm liên quan đến bụi.
8. **Không vì quen thuộc do thường xuyên sử dụng các dụng cụ mà cho phép bạn trở nên tự mãn và bỏ qua các nguyên tắc an toàn dụng cụ.** Một hành động bất cẩn có thể gây ra thương tích nghiêm trọng trong một phần của một giây.
9. **Luôn luôn mang kính bảo hộ để bảo vệ mắt khỏi bị thương khi đang sử dụng các dụng cụ máy. Kính bảo hộ phải tuân thủ ANSI Z87.1 ở Mỹ, EN 166 ở Châu Âu, hoặc AS/NZS 1336 ở Úc/New Zealand. Tại Úc/New Zealand, theo luật pháp, bạn cũng phải mang mặt nạ che mặt để bảo vệ mặt.**



Trách nhiệm của chủ lao động là bắt buộc người vận hành dụng cụ và những người khác trong khu vực làm việc cạnh đó phải sử dụng các thiết bị bảo hộ an toàn thích hợp.

Sử dụng và bảo quản dụng cụ máy

1. **Không dùng lực đối với dụng cụ máy. Sử dụng đúng dụng cụ máy cho công việc của bạn.** Sử dụng đúng dụng cụ máy sẽ giúp thực hiện công việc tốt hơn và an toàn hơn theo giá trị định mức được thiết kế của dụng cụ máy đó.
2. **Không sử dụng dụng cụ máy nếu công tắc không bật và tắt được dụng cụ máy đó.** Mọi dụng cụ máy không thể điều khiển được bằng công tắc đều rất nguy hiểm và phải được sửa chữa.

3. **Rút phích cắm ra khỏi nguồn điện và/hoặc tháo kết nối bộ pin khỏi dụng cụ máy, nếu có thể tháo rời trước khi thực hiện bất kỳ công việc điều chỉnh, thay đổi phụ tùng hay cất giữ dụng cụ máy nào.** Những biện pháp an toàn phòng ngừa này sẽ giảm nguy cơ vô tình khởi động dụng cụ máy.
4. **Cất giữ các dụng cụ máy không sử dụng ngoài tầm với của trẻ em và không cho bất kỳ người nào không có hiểu biết về dụng cụ máy hoặc các hướng dẫn này vận hành dụng cụ máy.** Dụng cụ máy sẽ rất nguy hiểm nếu được sử dụng bởi những người dùng chưa qua đào tạo.
5. **Bảo dưỡng dụng cụ máy và các phụ kiện. Kiểm tra tình trạng lịch trực hoặc bó kẹp của các bộ phận chuyển động, hiện tượng nứt vỡ của các bộ phận và mọi tình trạng khác mà có thể ảnh hưởng đến hoạt động của dụng cụ máy. Nếu có hỏng hóc, hãy sửa chữa dụng cụ máy trước khi sử dụng.** Nhiều tai nạn xảy ra là do không bảo quản tốt dụng cụ máy.
6. **Luôn giữ cho dụng cụ cắt được sắc bén và sạch sẽ.** Những dụng cụ cắt được bảo quản tốt có mép cắt sắc sẽ ít bị kẹt hơn và dễ điều khiển hơn.
7. **Sử dụng dụng cụ máy, phụ tùng và đầu dụng cụ cắt, v.v... theo các hướng dẫn này, có tính đến điều kiện làm việc và công việc được thực hiện.** Việc sử dụng dụng cụ máy cho các công việc khác với công việc dự định có thể gây nguy hiểm.
8. **Giữ tay cầm và bề mặt tay cầm khô, sạch, không dính dầu và mỡ.** Tay cầm trơn trượt và bề mặt tay cầm không cho phép xử lý an toàn và kiểm soát dụng cụ trong các tình huống bất ngờ.
9. **Khi sử dụng dụng cụ, không được đi giày tay lao động bằng vải, có thể bị vướng.** Việc giăng tay lao động bằng vải vướng vào các bộ phận chuyển động có thể gây ra thương tích cá nhân.

Bảo dưỡng

1. **Để nhân viên sửa chữa đủ trình độ bảo dưỡng dụng cụ máy của bạn và chỉ sử dụng các bộ phận thay thế đồng nhất.** Việc này sẽ đảm bảo duy trì được độ an toàn của dụng cụ máy.
2. **Tuân theo hướng dẫn dành cho việc bôi trơn và thay phụ tùng.**

Hướng dẫn an toàn cho cửa đa góc

1. **Cửa đa góc được sử dụng để cắt các sản phẩm gỗ hay giống như gỗ, chúng không thể sử dụng được với đĩa cắt nhám để cắt các vật liệu chứa sắt như thanh, que, đinh tán, v.v...** Bụi nhám sẽ làm cho các bộ phận chuyển động như phần bảo vệ bên dưới bị kẹt. Tia lửa từ quá trình cắt nhám sẽ đốt cháy phần bảo vệ bên dưới, gài rãnh cửa và các bộ phận bằng nhựa khác.
2. **Sử dụng kẹp để giữ chặt phôi gia công bất cứ khi nào có thể. Nếu giữ phôi gia công bằng tay, bạn phải luôn giữ tay của mình cách hai cạnh của lưỡi cửa ít nhất 100mm. Không sử dụng cửa này để cắt các vật quá nhỏ so với kẹp cố định hoặc phải giữ bằng tay.** Nếu tay của bạn được đặt quá gần lưỡi cửa thì sẽ tăng nguy cơ chấn thương do bị tiếp xúc với lưỡi cửa.

3. **Phôi gia công phải được cố định và kẹp hoặc giữ chắc vào cả thanh chặn và bàn. Không gắn phôi gia công vào lưỡi cưa hoặc cắt dùng “tay tự do” trong bất kỳ trường hợp nào.** Phôi gia công không được giữ hoặc di động có thể bị văng ra ở tốc độ cao, gây chấn thương.
 4. **Đẩy cưa qua phôi gia công. Không kéo cưa qua phôi gia công. Để thực hiện cắt, nâng đầu cưa và kéo nó ra phía trên phôi gia công nhưng chưa cắt, khởi động động cơ, ấn đầu cưa xuống và đẩy cưa qua phôi gia công.** Cắt trên hành trình kéo có thể làm lưỡi cưa chệch lên trên đầu của phôi gia công và làm văng mạnh lưỡi cưa về hướng người điều khiển.
 5. **Không bao giờ đặt chéo tay của bạn lên đường định cắt kể cả phía trước hay sau lưỡi cưa.** Việc giữ phôi gia công “chéo tay” tức là giữ phôi gia công ở phía bên phải của lưỡi cưa bằng tay trái của bạn hoặc ngược lại là rất nguy hiểm.
- **Hình 1**
6. **Không với ra đằng sau thanh chặn bằng tay ở khoảng cách gần hơn 100 mm từ cả hai cạnh của lưỡi cưa, để loại bỏ phế liệu, hoặc vì bất cứ nguyên nhân nào khác khi lưỡi cưa đang quay.** Bạn có thể sẽ sơ ý không nhận ralưỡi cưa đang quay gần với tay của bạn, và có thể bị thương tổn nghiêm trọng.
 7. **Kiểm tra phôi gia công của bạn trước khi cắt.** Nếu phôi gia công bị uốn cong bị cong vênh, hãy kẹp nó với mặt bị cong hướng về phía thanh chặn. Luôn chắc chắn không có khoảng cách giữa phôi gia công, thanh chặn và bàn dọc theo đường cắt. Phôi gia công bị uốn cong hoặc bị cong vênh có thể bị xoay hoặc xô dịch và có thể gây bó kẹt lưỡi cưa đang quay trong khi cắt. Không được cố định ốc hoặc ngoại vật trong phôi gia công.
 8. **Không được sử dụng cưa cho đến khi bàn đã được dọn sạch dụng cụ, phế liệu gỗ, v.v... trừ phôi gia công.** Mảnh vụn nhỏ hoặc các miếng gỗ bị rời ra hoặc các vật thể khác khi tiếp xúc với lưỡi đang quay có thể bị văng ra với tốc độ cao.
 9. **Chỉ cắt một phôi gia công một lần.** Nhiều phôi gia công xếp chồng lên nhau sẽ không được kẹp chặt thỏa đáng và có thể gây bó kẹt lưỡi cưa hoặc bị xô dịch trong quá trình cắt.
 10. **Hãy đảm bảo máy cưa đa góc được gắn hoặc đặt trên một mặt gia công phẳng, chắc chắn trước khi sử dụng.** Bề mặt gia công phẳng và chắc sẽ làm giảm nguy cơ máy cưa đa góc hoạt động không ổn định.
 11. **Lên kế hoạch cho công việc của bạn. Mỗi khi bạn thay đổi cài đặt góc xiên hoặc góc vát, hãy chắc chắn rằng thanh chặn có thể điều chỉnh được thiết lập chính xác để giữ phôi gia công và không gây cản trở cho lưỡi cưa hoặc hệ thống bảo vệ.** Không cần bật dụng cụ thành “BẬT” và không để phôi gia công nào trên bàn, hãy di chuyển lưỡi cưa theo một nhất cắt mô phỏng hoàn chỉnh để đảm bảo rằng không có cản trở hoặc nguy hiểm do cắt vào thanh chặn.
 12. **Cung cấp các dụng cụ hỗ trợ cần thiết như bàn nối thêm, giá cưa, v.v... cho phôi gia công rộng hoặc dài hơn mặt bàn.** Phôi gia công dài hoặc rộng hơn bàn cưa đa góc có thể bị lật nếu không được giữ cố định. Nếu mảnh cắt hoặc phôi gia công bị lật, nó có thể sẽ nhắc phần bảo vệ bên dưới hoặc bị lưỡi cưa đang quay làm văng ra.
 13. **Không được sử dụng người khác hỗ trợ để thay thế cho bàn nối thêm hoặc giá đỡ bổ sung.** Giá đỡ phôi gia công không vững chắc có thể dẫn đến việc lưỡi cưa bị bó kẹt, hoặc phôi gia công bị xô dịch trong quá trình cắt sẽ kéo bạn hoặc người trợ giúp bị lỗi về hướng lưỡi cưa đang quay.
 14. **Không để mảnh cắt bị kẹt hoặc bị ấn về phía lưỡi cưa đang quay bằng bất cứ phương tiện nào.** Nếu bị giới hạn, ví dụ như sử dụng thiết bị chặn chiều dài, mảnh cắt có thể bị chêm lại và văng mạnh ra ngoài.
 15. **Luôn sử dụng kẹp hoặc dụng cụ cố định được thiết kế để giữ các vật liệu tròn như thanh tròn hoặc ống được chắc chắn.** Thanh tròn có xu hướng cuộn vào khi cắt, gây ra tình trạng lưỡi cưa “cắn” và kéo vật đang gia công với tay bạn vào lưỡi cưa.
 16. **Hãy để lưỡi cưa đạt đến tốc độ hoàn toàn trước khi tiếp xúc với phôi gia công.** Điều này sẽ làm giảm nguy cơ vật ra công bị văng ra.
 17. **Nếu phôi gia công hoặc lưỡi cưa bị kẹt, hãy tắt máy cưa đa góc. Chờ cho tất cả bộ phận chuyển động dừng hẳn và rút phích cắm khỏi nguồn điện và/hoặc tháo hộp pin ra. Sau đó gỡ các vật liệu bị kẹt ra.** Việc tiếp tục cắt với phôi gia công bị kẹt có thể gây ra mất kiểm soát hoặc gây hư hỏng máy cưa đa góc.
 18. **Sau khi hoàn tất cắt, nhà công tác, hạ đầu máy cưa xuống và chờ cho lưỡi cưa dừng hẳn trước khi lấy mảnh cắt ra.** Với tay gần với lưỡi cưa đang đi xuống rất nguy hiểm.
 19. **Giữ tay cầm chắc khi việc thực hiện nhất cắt chưa hoàn tất hoặc khi nhà công tác trước khi đầu cưa nằm hoàn toàn ở vị trí hạ xuống.** Hành động hãm cưa lại có thể khiến đầu cưa bị kéo xuống đột ngột, gây ra nguy cơ chấn thương.
 20. **Chỉ sử dụng lưỡi cưa có đường kính được đánh dấu trên dụng cụ hoặc được chỉ định trong hướng dẫn.** Sử dụng lưỡi cưa có kích thước không đúng có thể ảnh hưởng đến phần bảo vệ thích hợp của lưỡi cưa hoặc hoạt động của phần bảo vệ, có thể dẫn đến thương tích nghiêm trọng.
 21. **Chỉ sử dụng lưỡi cưa có ghi tốc độ bằng hoặc cao hơn tốc độ ghi trên dụng cụ.**
 22. **Không được sử dụng cưa để cắt các vật liệu khác ngoài gỗ, nhôm hoặc vật liệu tương tự.**
 23. **(Chỉ đối với các quốc gia Châu Âu) Luôn sử dụng lưỡi cưa tuân thủ theo EN847-1.**

Hướng dẫn bổ sung

1. Không cho trẻ em vào buồng làm việc bằng cách dùng khóa móc.
2. Không bao giờ đứng lên dụng cụ. Chấn thương nghiêm trọng có thể xảy ra nếu dụng cụ bị lật nghiêng hoặc vô tình đụng phải với dụng cụ cắt.
3. Không bao giờ để dụng cụ chạy mà không có người giám sát. Hãy tắt nguồn. Không rời dụng cụ cho đến khi nó dừng hẳn.
4. Không vận hành máy cưa mà không có phần bảo vệ đặt đúng vị trí. Kiểm tra phần bảo vệ lưỡi cưa xem đã đóng đúng chưa trước mỗi lần sử dụng. Không vận hành máy cưa nếu phần bảo vệ lưỡi cưa không di chuyển tự do và đóng ngay tức khắc. Không được phép kẹp chặt hoặc buộc phần bảo vệ lưỡi cưa ở vị trí mở.
5. Giữ tay tránh xa khỏi đường đi của lưỡi cưa. Tránh tiếp xúc với bất cứ lưỡi cưa nào đang đi xuống. Nó có thể vẫn gây ra các thương tích nghiêm trọng.
6. Để giảm nguy cơ chấn thương, hãy đưa bàn trượt về lại hoàn toàn phía sau sau mỗi thao tác cắt ngang.
7. Luôn cố định an toàn tất cả các phần chuyển động trước khi di chuyển dụng cụ.
8. Chốt chặn khóa đầu lưỡi cắt xuống chỉ dùng để di chuyển và cất giữ chứ không dùng cho bất kỳ vận hành cắt nào.
9. Kiểm tra các lưỡi cưa thật cẩn thận xem có nứt hoặc hư hỏng gì không trước khi vận hành. Thay thế lưỡi bị nứt hoặc hư hỏng ngay lập tức. Chất dính và nhựa gỗ bám chặt trên lưỡi cắt làm chậm cưa và tăng khả năng xảy ra hiện tượng bật ngược lại. Giữ lưỡi cắt sạch bằng cách trước tiên tháo lưỡi cắt ra khỏi dụng cụ sau đó lau sạch lưỡi cắt bằng chất tẩy chất dính và nhựa, nước nóng hoặc dầu hỏa. Không bao giờ sử dụng xăng để làm sạch lưỡi cắt.
10. Khi thực hiện cắt trượt, HIỆN TƯỢNG LỰC ĐÁY NGƯỢC có thể xảy ra. HIỆN TƯỢNG LỰC ĐÁY NGƯỢC xảy ra khi lưỡi cưa bị bó kẹt vào phiôi gia công trong quá trình thao tác cắt và lưỡi cưa bị bật mạnh về phía người điều khiển. Tình huống này có thể gây ra mất kiểm soát hoặc chấn thương cá nhân nghiêm trọng. Nếu lưỡi cưa bắt đầu bị bó kẹt trong quá trình cắt, không được tiếp tục cắt và hãy nhà công tác ngay lập tức.
11. Chỉ sử dụng các vành được chỉ định cho dụng cụ này.
12. Cẩn thận để không làm hư hỏng trục, vành (đặc biệt là bề mặt lắp ráp) hay bu-lông. Làm hỏng những bộ phận này có thể dẫn đến hỏng lưỡi cưa.
13. Đảm bảo rằng để xoay được cố định chắc chắn để không di chuyển trong quá trình vận hành. Sử dụng các lỗ hỏng trong đế để gắn chặt máy cưa vào một bộ gia công hoặc bàn gia công vững chắc. KHÔNG BAO GIỜ sử dụng dụng cụ ở vị trí mà người điều khiển cảm thấy khó thao tác.
14. Đảm bảo khoá trục được nhà ra trước khi bật công tắc.

15. Chắc chắn rằng lưỡi cưa không tiếp xúc với đế xoay ở vị trí thấp nhất.
 16. Giữ thật chắc tay cầm. Cần biết rằng cưa sẽ di chuyển lên hoặc xuống một chút trong quá trình khởi động và dừng lại.
 17. Đảm bảo rằng lưỡi cưa không tiếp xúc với phiôi gia công trước khi bật công tắc lên.
 18. Trước khi sử dụng dụng cụ này trên phiôi gia công thực, hãy để dụng cụ chạy trong ít phút. Theo dõi xem sự rung hay lắc có thể cho thấy lắp ráp kém hay lưỡi cưa chưa cân bằng.
 19. Ngưng vận hành ngay lập tức nếu bạn chú ý thấy bất cứ điều gì bất thường.
 20. Không cố gắng khóa cần khởi động vào vị trí “BẬT”.
 21. Luôn sử dụng các phụ tùng được khuyến dùng trong tài liệu hướng dẫn này. Sử dụng các phụ tùng không phù hợp như đá mài có thể gây ra thương tích.
 22. Một số vật liệu có thể chứa hóa chất độc hại. Phải cẩn trọng tránh hít phải bụi và để tiếp xúc với da. Tuân theo dữ liệu an toàn của nhà cung cấp vật liệu.
- Cảnh báo an toàn bổ sung cho tia laser
1. BỨC XẠ LASER, KHÔNG ĐƯỢC NHÌN VÀO CHÙM TIA HAY NHÌN TRỰC TIẾP VỚI CÁC DỤNG CỤ QUANG HỌC, SẢN PHẨM LASER CẤP ĐỘ 2M.

LƯU GIỮ CÁC HƯỚNG DẪN NÀY.

▲CẢNH BÁO: KHÔNG vì đã thoải mái hay quen thuộc với sản phẩm (có được do sử dụng nhiều lần) mà không tuân thủ nghiêm ngặt các quy định về an toàn dành cho sản phẩm này. VIỆC DÙNG SAI hoặc không tuân theo các quy định về an toàn được nêu trong tài liệu hướng dẫn này có thể dẫn đến thương tích cá nhân nghiêm trọng.

MÔ TẢ CÁC BỘ PHẬN

► Hình2

1	Cực trượt	2	Chốt chặn (đối với bàn trượt)	3	Bàn kẹp đứng	4	Nút nhả (đối với góc xiên cạnh bên phải)
5	Giá đỡ	6	Đế xoay	7	Kim chỉ (trong trường hợp góc vật chéo)	8	Thang đo góc vát
9	Rãnh cửa	10	Vỏ che lưới cửa	11	Vít điều chỉnh (đối với dòng tia laser)	12	Vít điều chỉnh phạm vi (đối với dòng tia laser)
13	Phần bảo vệ lưới cửa	14	Núm (đối với góc xiên)	15	Cờ lê sáu cạnh	16	Vít điều chỉnh (trong trường hợp vị trí giới hạn dưới)
17	Bu-lông điều chỉnh (trong trường hợp công suất cắt tối đa)	18	Tay chặn	19	Cần khóa (trong trường hợp để xoay)	20	Cần nhả (trong trường hợp để xoay)
21	Dụng cụ kẹp (trong trường hợp để xoay)	-	-	-	-	-	-

► Hình3

1	Cần khởi động công tắc	2	Nút nhả khóa	3	Lỗ cho khóa móc	4	Công tắc (đối với dòng tia laser)
5	Ống nối (cho việc xử lý bụi)	6	Chốt chặn (để cố định độ cao bàn trượt)	7	Thanh dẫn (thanh chặn dưới)	8	Thanh dẫn (thanh chặn trên)
9	Túi chứa bụi	10	Bu-lông điều chỉnh 0° (cho góc xiên)	11	Thang đo góc xiên	12	Cần nhả (đối với góc xiên 48°)
13	Chốt đòn bẩy (đối với góc xiên)	14	Kim chỉ (đối với góc xiên)	15	Bu-lông điều chỉnh 45° (cho góc xiên)	-	-

LẮP RÁP

Lắp tay cầm

Vít trượt ren của tay cầm vào đế xoay.

► **Hình4:** 1. Tay cầm 2. Đế xoay

Lắp ống xử lý bụi

Nối ống xử lý bụi vào dụng cụ như hình minh họa. Hãy chắc chắn rằng khuỷu tay và trụ ngoài được gắn đúng vào các cổng của dụng cụ.

► **Hình5:** 1. Ống xử lý bụi 2. Khuỷu tay 3. Trụ ngoài 4. Cổng

Đỡ tháo ống khuỷu khỏi cổng, vừa kéo ống khuỷu ra vừa nhấn nút khóa.

► **Hình6:** 1. Nút khóa 2. Khuỷu tay

Lắp đặt bàn

Khi dụng cụ được vận chuyển, khóa tay cầm vào vị trí bên dưới bằng chốt chặn. Vừa hạ nhẹ tay cầm, vừa kéo chốt chặn và xoay nó 90°.

► **Hình7:** 1. Vị trí khóa 2. Vị trí mở khóa 3. Chốt chặn

Dụng cụ này cần phải được bắt bốn bu-lông vào một bề mặt phẳng và cố định có sử dụng các lỗ bu-lông được cung cấp trong đế của dụng cụ. Điều này sẽ giúp ngăn trượt dụng cụ và thương tích có thể xảy ra.

► **Hình8:** 1. Bu-lông

⚠ CẢNH BÁO: Đảm bảo rằng dụng cụ sẽ không di chuyển trên bề mặt đỡ. Việc di chuyển máy của đĩa góc trên bề mặt đỡ khi đang cắt có thể dẫn đến mất điều khiển và thương tích cá nhân nghiêm trọng.

MÔ TẢ CHỨC NĂNG

⚠ CẢNH BÁO: Luôn bảo đảm rằng dụng cụ được tắt điện và rút phích cắm trước khi điều chỉnh hoặc kiểm tra chức năng của dụng cụ. Không tắt và rút phích cắm điện của dụng cụ có thể dẫn đến chấn thương cá nhân nghiêm trọng do vô tình khởi động máy.

Phần bảo vệ lưới cửa

► **Hình9:** 1. Phần bảo vệ lưới cửa

Khi hạ thấp tay cầm, phần bảo vệ lưới cửa A sẽ tự động nâng lên. Phần bảo vệ chịu tải bằng lò xo nên nó sẽ quay trở về vị trí ban đầu khi việc cắt hoàn thành và tay cầm được nâng lên.

⚠ CẢNH BÁO: Không làm hỏng hoặc tháo phần bảo vệ lưới cửa hoặc lò xo gắn vào phần bảo vệ. Lưới cửa lộ ra do bảo vệ không tốt có thể dẫn đến thương tích cá nhân nghiêm trọng trong khi vận hành.

Nhằm đảm bảo sự an toàn cá nhân của bạn, hãy luôn giữ cho chắn bảo vệ lưỡi này ở trong tình trạng tốt. Bất kỳ hoạt động nào bất thường của chắn bảo vệ đều phải được sửa chữa ngay lập tức. Kiểm tra để đảm bảo rằng lò xo chịu tải trở lại trạng thái bảo vệ.

⚠ CẢNH BÁO: Không được phép sử dụng dụng cụ nếu phần bảo vệ lưỡi của hoặc lò xo bị hỏng, lỏng, hoặc bị tháo ra. Vận hành dụng cụ có phần bảo vệ bị hỏng, lỏng hoặc bị tháo ra có thể dẫn đến thương tích cá nhân nghiêm trọng.

Nếu chắn bảo vệ lưỡi của xuyên thấu này bị bẩn, hoặc mùn của bám vào khiến lưỡi của và/hoặc phôi gia công không còn dễ nhìn thấy, hãy rút phích cắm điện máy của và vệ sinh chắn bảo vệ này cẩn thận bằng vải ẩm. Không sử dụng dung môi hoặc bất kỳ chất làm sạch có dầu lên phần bảo vệ bằng nhựa vì việc này có thể làm hỏng phần bảo vệ.

Nếu phần bảo vệ lưỡi của quá bẩn và không thể nhìn xuyên qua phần bảo vệ, sử dụng cờ lê để nới lỏng bu-lông lục giác gắn nắp đậy trung tâm. Nới lỏng bu-lông lục giác bằng cách xoay ngược chiều kim đồng hồ và nâng phần bảo vệ lưỡi của và lớp vỏ bảo vệ trung tâm. Với chắn bảo vệ lưỡi được định vị như vậy, có thể tiến hành vệ sinh đầy đủ và hiệu quả hơn. Khi vệ sinh xong, hãy làm ngược quy trình ở trên và gắn chặt bu-lông. Không được tháo lò xo giữ phần bảo vệ lưỡi của. Nếu chắn bảo vệ lưỡi bị biến màu sau một thời gian sử dụng hoặc tiếp xúc với tia cực tím, hãy liên hệ với trung tâm dịch vụ Makita để thay chắn bảo vệ mới. **KHÔNG ĐƯỢC LÀM HỒNG HOẶC THÁO PHẦN BẢO VỆ.**

► **Hình10:** 1. Lớp vỏ bảo vệ trung tâm 2. Cờ lê sáu cạnh 3. Phần bảo vệ lưỡi của

Rãnh của

Dụng cụ này được cung cấp kèm theo rãnh của ở để xoay để giảm thiểu sự nứt lên phía ra của mảnh cắt. Rãnh của được điều chỉnh khi sản xuất để lưỡi của không tiếp xúc với rãnh của. Trước khi sử dụng, hãy điều chỉnh rãnh của như sau:

► **Hình11:** 1. Rãnh của

► **Hình12:** 1. Cắt xiên góc trái 2. Cắt thẳng 3. Cắt xiên góc phải 4. Lưỡi của 5. Rãnh của 6. Rãnh của

Trước tiên, rút phích cắm điện của dụng cụ. Nới lỏng tất cả các vít cố định rãnh của (2 cái mỗi bên trái và bên phải) cho đến khi có thể dễ dàng di chuyển rãnh của bằng tay. Hạ thấp tay cầm xuống hoàn toàn, sau đó kéo và xoay chốt chặn để khóa tay cầm ở vị trí hạ thấp. Nhả chốt chặn trên cực trượt và kéo hoàn toàn bàn trượt về phía bạn. Điều chỉnh rãnh của để rãnh của chỉ tiếp xúc với cạnh của rãnh của. Siết chặt các vít phía trước (không siết quá chặt). Đẩy hoàn toàn bàn trượt về phía thanh dẫn và điều chỉnh rãnh của để rãnh của chỉ tiếp xúc với cạnh của rãnh của. Siết chặt các vít phía sau (không siết quá chặt).

Sau khi điều chỉnh rãnh của, nhả chốt chặn và nâng tay cầm. Sau đó siết chặt tất cả các ốc vít.

CHÚ Ý: Sau khi thiết đặt góc xiên, đảm bảo rằng rãnh của sẽ được điều chỉnh hợp lý. Điều chỉnh rãnh của hợp lý sẽ tạo lực đỡ thích hợp cho phôi gia công và giúp giảm việc làm mòn phôi gia công.

Duy trì công suất cắt tối đa

Dụng cụ này được điều chỉnh khi sản xuất để tạo ra công suất cắt tối đa cho lưỡi của 255 mm hoặc 260 mm.

Khi lắp đặt lưỡi mới, luôn luôn kiểm tra vị trí giới hạn bên dưới của lưỡi, và nếu cần thiết, hãy điều chỉnh nó như sau:

Trước tiên, rút phích cắm điện của dụng cụ. Xoay cần chặn về vị trí gài.

► **Hình13:** 1. Cần chặn

Đẩy hết mức bàn trượt về phía thanh dẫn và hạ thấp tay cầm xuống hoàn toàn.

Điều chỉnh vị trí lưỡi của bằng cách vận bu lông điều chỉnh bằng cờ lê sáu cạnh. Phần biên của lưỡi của cần kéo dài ra một chút dưới mặt trên của đế xoay và đến điểm mà mặt trước của thanh dẫn tiếp xúc với mặt trên của đế xoay.

► **Hình14:** 1. Bu-lông điều chỉnh

► **Hình15:** 1. Mặt trên của đế xoay 2. Chu vi lưỡi 3. Thanh dẫn

Khi dụng cụ đã được rút phích cắm điện, hãy xoay lưỡi của bằng tay trong khi giữ tay cầm ấn xuống hết mức để đảm bảo rằng lưỡi của không tiếp xúc với bất kỳ phần đế nào bên dưới. Nhẹ nhàng điều chỉnh lại nếu cần thiết.

Sau khi điều chỉnh, luôn quay cần chặn trở lại vị trí ban đầu.

⚠ CẢNH BÁO: Sau khi lắp ráp một lưỡi của mới và dụng cụ đã được rút điện, luôn đảm bảo rằng lưỡi của không tiếp xúc với bất kỳ phần nào của đế dưới khi hạ tay cầm được hạ thấp hoàn toàn. Nếu lưỡi của tiếp xúc với đế thì nó có thể bị đẩy ngược lại và dẫn đến thương tích cá nhân nghiêm trọng.

Tay chặn

Vị trí giới hạn dưới của lưỡi có thể được điều chỉnh dễ dàng bằng tay chặn. Để điều chỉnh nó, vận tay chặn theo hướng mũi tên như hiển thị trên hình. Vận vít điều chỉnh để lưỡi của dừng ở vị trí mong muốn khi hạ thấp tay cầm xuống hết mức.

► **Hình16:** 1. Tay chặn 2. Vít điều chỉnh

Điều chỉnh góc vát

⚠ THẬN TRỌNG: Sau khi thay đổi góc vát chéo, phải luôn cố định để xoay bằng cách siết chặt dụng cụ kẹp.

CHÚ Ý: Khi xoay đế xoay, hãy đảm bảo đã nâng tay cầm hết mức.

► **Hình17:** 1. Cần khóa 2. Tay cầm 3. Cần nhả 4. Vạch chuẩn

Xoay tay cầm ngược chiều kim đồng hồ để mở đế xoay. Vận tay cầm trong khi giữ cần khóa xuống để di chuyển đế xoay. Căn chỉnh vạch chuẩn đến góc bạn muốn trên thang đo sau đó vận chặt tay cầm.

LƯU Ý: Nếu bạn nhấn cần nhả xuống, bạn có thể di chuyển để xoay mà không cần giữ cần khóa hướng xuống. Vận chặt tay cầm ở vị trí bạn muốn.

Máy cưa đa góc này cho phép sử dụng chức năng dừng theo chiều thuận. Bạn có thể cài đặt nhanh góc vát trái/phải 0°, 15°, 22,5°, 31,6°, 45°, và 60°. Để sử dụng chức năng này, di chuyển để xoay gần đến góc dừng theo chiều thuận mà bạn muốn trong khi giữ cần khóa hướng xuống. Sau đó nhả cần khóa và di chuyển để xoay đến góc dừng theo chiều thuận mà bạn muốn cho đến khi để xoay bị khóa lại.

Điều chỉnh góc xiên

CHÚ Ý: Luôn tháo thanh dẫn trên và bàn kẹp đứng trước khi điều chỉnh góc xiên.

CHÚ Ý: Khi thay đổi góc xiên, hãy chắc chắn rằng bạn đã đặt vị trí cho rãnh cưa đúng như diễn giải trong phần “Rãnh cưa”.

CHÚ Ý: Khi xoay nghiêng lưỡi cưa, hãy đảm bảo đã nâng tay cầm hết mức.

CHÚ Ý: Không được vận nùm quá chặt. Làm như vậy có thể gây trực trực cho cơ chế khóa của góc xiên.

- Vận nùm trên cực trượt theo chiều kim đồng hồ.
▶ **Hình18:** 1. Nùm
- Kéo và vận chốt đòn bẩy đến vị trí như hình minh họa.
▶ **Hình19:** 1. Chốt đòn bẩy
- Chỉnh kim chỉ khớp đến góc bạn muốn trên thang đo bằng cách di chuyển bàn trượt sau đó vận chặt nùm.
▶ **Hình20:** 1. Thang đo góc xiên 2. Vạch chuẩn

Đề nghiêng bàn trượt về bên phải, nghiêng nhẹ bàn trượt về bên trái sau đó nghiêng nó về bên phải trong khi nhấn nút nhả xuống.
▶ **Hình21:** 1. Nút nhả

Nếu bạn thực hiện cắt xiên góc lớn hơn 45°, hãy di chuyển bàn trượt trong khi trượt cần nhả về phía trước của dụng cụ. Bạn có thể thực hiện cắt xiên góc tối đa 48°.

▶ **Hình22:** 1. Cần nhả

Máy cưa đa góc này cho phép sử dụng chức năng dừng theo chiều thuận. Bạn có thể cài đặt góc 22,5° và 33,9° cho cả bên phải và trái một cách nhanh chóng. Cài đặt chốt đòn bẩy ở vị trí như hình minh họa và nghiêng bàn trượt. Để thay đổi góc, kéo chốt đòn bẩy và nghiêng bàn trượt.

▶ **Hình23:** 1. Chốt đòn bẩy

⚠ THẬN TRỌNG: Sau khi thay đổi góc xiên, phải luôn vận chặt nùm.

Khóa trượt

Để khóa chuyển động trượt của bàn trượt, đẩy bàn trượt về phía thanh dẫn cho đến khi nó dừng lại. Kéo chốt chặn và xoay nó 90°.

▶ **Hình24:** 1. Vị trí mở khóa 2. Vị trí khóa 3. Chốt chặn

Hoạt động công tác

⚠ CẢNH BÁO: Trước khi cắm điện vào dụng cụ, luôn luôn kiểm tra xem cần khởi động công tác có hoạt động bình thường hay không và trả về vị trí “TẮT” khi nhả ra. Không được kéo mạnh cần khởi động công tác mà không nhấn nút nhả khóa. Điều này có thể làm hỏng công tác. Vận hành dụng cụ khi công tác không khởi động đúng có thể dẫn đến mất điều khiển và thương tích cá nhân nghiêm trọng.

⚠ CẢNH BÁO: KHÔNG ĐƯỢC PHÉP sử dụng dụng cụ không có cần khởi động công tác hoạt động hoàn toàn. Bất kỳ dụng cụ nào có công tác không làm việc là RẤT NGUY HIỂM và phải được sửa chữa trước khi tiếp tục sử dụng, nếu không, có thể xảy ra thương tích cá nhân nghiêm trọng.

⚠ CẢNH BÁO: KHÔNG ĐƯỢC PHÉP làm hỏng nút nhả khóa bằng cách xoay xuống hoặc một số cách khác. Một nút nhả khóa không hiệu quả có thể dẫn đến vận hành vô tình và thương tích cá nhân nghiêm trọng.

⚠ CẢNH BÁO: KHÔNG ĐƯỢC PHÉP sử dụng dụng cụ này nếu nó chạy khi bạn chỉ kéo cần khởi động công tác mà không nhấn nút nhả khóa. Một công tác cần sửa có thể dẫn đến vận hành vô tình và thương tích cá nhân nghiêm trọng. Hãy trả dụng cụ lại cho một trung tâm dịch vụ Makita để sửa chữa phù hợp TRƯỚC KHI sử dụng tiếp sau này.

▶ **Hình25:** 1. Cần khởi động công tác 2. Nút nhả khóa 3. Lỗ cho khóa móc

Để ngăn ngừa vô tình kéo cần khởi động công tác, dụng cụ được trang bị một nút nhả khóa. Để khởi động dụng cụ, ấn nút nhả khóa và kéo cần khởi động công tác. Nhả cần khởi động công tác ra để dừng. Một lỗ cố sẵn trong cần khởi động công tác để chèn khóa móc để khóa dụng cụ.

⚠ CẢNH BÁO: Không sử dụng khóa có chuỗi hay cáp có đường kính nhỏ hơn 6,35 mm (1/4"). Chuỗi hoặc cáp nhỏ hơn có thể không khóa dụng cụ đúng ở vị trí tắt và vận hành vô tình có thể xảy ra dẫn đến thương tích cá nhân nghiêm trọng.

Chức năng điện tử

Điều khiển tốc độ không đổi

Dụng cụ được cung cấp kèm với một bộ điều khiển tốc độ điện tử giúp duy trì tốc độ quay của lưỡi cưa không đổi ngay cả trong trường hợp dưới tải. Tốc độ quay không đổi của lưỡi cưa sẽ làm cho vết cắt rất mịn.

Tính năng khởi động mềm

Chức năng này cho phép khởi động dụng cụ mượt mà bằng cách hạn chế mô-men xoắn khi khởi động.

Hoạt động với chùm tia laser

Chỉ dành cho kiểu máy LS1019L

⚠ THẬN TRỌNG: Không bao giờ được nhìn vào chùm tia laser. Chùm tia laser trực tiếp có thể làm tổn thương mắt của bạn.

Để bật chùm tia laser, nhấn lên vị trí trên (I) của công tắc. Để tắt chùm tia laser, nhấn lên vị trí dưới (O) của công tắc

► **Hình26:** 1. Công tắc cho laser

Dòng tia laser có thể dịch chuyển sang bên trái hoặc phải của lưới cửa bằng cách điều chỉnh ốc vít như sau.

► **Hình27:** 1. Vít điều chỉnh

1. Nới lỏng vít điều chỉnh bằng cách vặn nó ngược chiều kim đồng hồ.
2. Khi vít điều chỉnh được nới lỏng, trượt vít điều chỉnh về phía phải hoặc trái hết cỡ.
3. Vặn chặt vít điều chỉnh tại vị trí ngừng trượt.

LƯU Ý: Dòng tia laser được nhà sản xuất điều chỉnh để nổ nằm trong 1 mm cách mặt bên của lưới cửa (vị trí cắt).

LƯU Ý: Khi dòng tia laser mờ và khó nhìn thấy do ánh sáng mặt trời chiếu trực tiếp, hãy dời khi vực làm việc đến nơi có ít ánh sáng mặt trời chiếu trực tiếp.

Căn chỉnh đường laser

Căn chỉnh đường cắt trên phôi gia công của bạn bằng đường laser.

► **Hình28**

- A) Khi bạn muốn đạt được kích thước chính xác ở bên trái của phôi gia công, dịch chuyển đường laser sang phía bên trái của lưới cửa.
- B) Khi bạn muốn đạt được kích thước chính xác ở bên phải của phôi gia công, dịch chuyển đường laser sang phía bên phải của lưới cửa.

LƯU Ý: Dùng miếng gỗ áp sát thanh dẫn khi xếp thẳng hàng đường cắt với đường laser ở cạnh của thanh dẫn trong quá trình cắt hỗn hợp (góc xiên 45° và góc vát phải 45°).

LẮP RÁP

⚠ CẢNH BÁO: Luôn đảm bảo rằng dụng cụ này đã được tắt và rút phích cắm trước khi thao tác với dụng cụ. Không tắt và rút phích cắm điện của dụng cụ có thể gây chấn thương cá nhân nghiêm trọng.

Cắt giữ cờ lê sáu cạnh

Khi không sử dụng, cắt giữ cờ lê sáu cạnh như được minh họa trong hình để tránh làm mất.

► **Hình29:** 1. Cờ lê sáu cạnh

Tháo hoặc lắp lưới cửa

⚠ CẢNH BÁO: Luôn đảm bảo rằng dụng cụ này đã được tắt và rút phích cắm trước khi lắp hoặc tháo gỡ lưới cửa. Vô tình khởi động dụng cụ có thể dẫn đến thương tích cá nhân nghiêm trọng.

⚠ CẢNH BÁO: Chỉ sử dụng cờ lê của Makita đi kèm để tháo hoặc lắp các lưới cửa. Không làm như vậy có thể khiến cho bu-lông đầu ống sáu cạnh bị siết quá chặt hoặc siết không đủ chặt và gây chấn thương nghiêm trọng.

Luôn khóa bàn trượt ở vị trí nâng lên khi tháo hoặc lắp lưới cửa. Kéo chốt chặn và quay nó 90° với bàn trượt được nâng lên.

► **Hình30:** 1. Vị trí mở khóa 2. Vị trí khóa 3. Chốt chặn

Tháo lưới cửa

Nới lỏng các bu lông sáu cạnh giữ nắp đậy trung tâm bằng cờ lê sáu cạnh. Nâng phần bảo vệ lưới cửa và lớp vỏ bảo vệ trung tâm.

► **Hình31:** 1. Lớp vỏ bảo vệ trung tâm 2. Cờ lê sáu cạnh cạnh 3. Phần bảo vệ lưới cửa

Ắn khóa trục để khóa trục quay và dùng cờ lê sáu cạnh để nới lỏng bu-lông đầu ống sáu cạnh. Sau đó tháo bu-lông đầu ống sáu cạnh, vành ngoài và lưới cửa.

► **Hình32:** 1. Khóa trục 2. Cờ lê sáu cạnh 3. Bu-lông đầu ống sáu cạnh (bên trái) 4. Nới lỏng 5. Vặn chặt

Lắp lưới cửa

Gắn lưới cửa cẩn thận vào trụ quay, đảm bảo rằng hướng mũi tên trên bề mặt của lưới cửa khớp với hướng mũi tên trên vỏ che lưới cửa.

► **Hình33:** 1. Mũi tên trên vỏ lưới cửa 2. Mũi tên trên lưới dao

Lắp vành ngoài và bu lông đầu ống sáu cạnh. Vặn bu-lông đầu ống sáu cạnh ngược chiều kim đồng hồ bằng cờ lê sáu cạnh trong khi nhấn khóa trục.

► **Hình34:** 1. Bu-lông đầu ổ lục giác 2. Vành ngoài 3. Lưới cửa 4. Vành trong 5. Trụ quay 6. Vòng

CHÚ Ý: Khi tháo vành trong, hãy chắc chắn lắp vành trong lên trục quay với gờ nhỏ ra ngược hướng với lưới. Nếu lắp vành không đúng cách, vành sẽ cọ xát vào máy.

Trả lại phần bảo vệ lưới cửa và lớp vỏ bảo vệ trung tâm vào vị trí ban đầu. Sau đó vặn chặt bu-lông lục giác theo chiều kim đồng hồ để giữ chặt lớp vỏ bảo vệ trung tâm. Mở khóa chốt chặn để nhả bàn trượt từ vị trí nâng lên. Hạ thấp tay cầm để đảm bảo rằng phần bảo vệ lưới cửa có thể dịch chuyển bình thường. Đảm bảo rằng khóa trục đã nhả trụ quay ra trước khi tiến hành cắt.

⚠ CẢNH BÁO: Trước khi gắn lưới cửa lên trụ quay, phải luôn chắc chắn rằng đã lắp đặt đúng vòng cho lỗ tâm của lưới cửa mà bạn định dùng lên trên giữa vành trong và vành ngoài. Sử dụng vòng lỗ tâm không đúng có thể dẫn đến gắn lưới cửa không đúng cách, gây ra dịch chuyển lưới và rung động nặng dẫn đến có thể mất kiểm soát trong suốt quá trình vận hành và gây thương tích cá nhân nghiêm trọng.

Kết nối máy hút bụi

Khi bạn muốn thực hiện thao tác cắt sạch, hãy kết nối máy hút bụi Makita với vòi xả bụi bằng vòng bít 24 phía trước (phụ kiện tùy chọn).

- **Hình35:** 1. Vòng bít 24 phía trước 2. Ống dẫn 3. Máy hút bụi

Túi đựng mặt cưa

Sử dụng túi chứa bụi giúp cho các thao tác cắt được sạch sẽ và dễ dàng thu gom bụi. Để gắn túi chứa bụi, tháo ống xử lý bụi khỏi dụng cụ và nối túi chứa bụi vào.

- **Hình36:** 1. Ống xử lý bụi 2. Túi chứa bụi

Khi túi chứa bụi đã đầy khoảng một nửa, hãy tháo túi chứa bụi ra khỏi dụng cụ và kéo bộ phận kẹp ra. Đổ toàn bộ phần bên trong túi chứa bụi, vỗ nhẹ để loại bỏ các hạt dính vào mặt trong túi mà có thể làm vướng việc thu gom sau này.

- **Hình37:** 1. Bộ phận kẹp

Cố định phôi gia công

⚠ CẢNH BÁO: Điều vô cùng quan trọng là phải luôn cố định phôi gia công đúng cách bằng kiểu bàn kẹp phù hợp hoặc thanh chặn đường gờ bao quanh. Không làm như vậy có thể gây thương tích cá nhân nghiêm trọng và làm hỏng dụng cụ và/hoặc phôi gia công.

⚠ CẢNH BÁO: Sau một thao tác cắt, không được nâng lưới cửa lên cho đến khi dừng hẳn. Nâng lưới cửa đang đi xuống có thể gây thương tích cá nhân nghiêm trọng và phá hỏng phôi gia công.

⚠ CẢNH BÁO: Khi cắt phôi gia công dài hơn để đỡ cửa, nên đỡ toàn bộ chiều dài của vật liệu trên để đỡ và ở cùng chiều cao để vật liệu thẳng bằng. Giá đỡ phôi gia công hợp lý sẽ giúp tránh lưới cửa bị kẹp và có thể bị đẩy ngược lại, gây chấn thương cá nhân nghiêm trọng. Không được chỉ dựa vào bàn kẹp đứng và/hoặc bàn kẹp ngang để cố định phôi gia công. Vật liệu mỏng thường vòng xuống. Để phôi gia công trên toàn bộ chiều dài để tránh lưới cửa bị kẹp và có thể bị ĐÁY NGƯỢC LẠI.

- **Hình38:** 1. Giá đỡ 2. Để xoay

Thanh dẫn

⚠ CẢNH BÁO: Trước khi vận hành dụng cụ, hãy đảm bảo rằng thanh chắn trên được cố định chắc chắn.

⚠ CẢNH BÁO: Trước khi cắt góc xiên, hãy đảm bảo rằng không phần nào của dụng cụ, đặc biệt là lưới cửa tiếp xúc với thanh chắn trên và dưới, khi hạ xuống và nâng lên tay cầm hết mức ở bất kỳ vị trí nào và khi di chuyển bàn trượt qua hết đường đi của nó. Nếu dụng cụ hoặc lưới cửa tiếp xúc với tấm chắn, điều này có thể gây ra hiện tượng bật ngược hoặc chuyển động không mong muốn của vật liệu và gây chấn thương cá nhân.

Sử dụng tấm chắn trên để đỡ vật liệu cao hơn tấm chắn dưới. Lắp tấm chắn trên vào trong lỗ trên tấm chắn dưới và vận chuyển vít kẹp.

- **Hình39:** 1. Tấm chắn trên 2. Tấm chắn dưới 3. Ốc xiết 4. Vít điều chỉnh

CHÚ Ý: Tấm chắn dưới được gắn cố định vào để tại nhà máy sản xuất. Không được tháo bỏ tấm chắn dưới.

CHÚ Ý: Nếu tấm chắn trên vẫn bị lỏng sau khi đã vận chuyển vít kẹp, vận vít điều chỉnh để thu khoảng cách. Vít điều chỉnh được điều chỉnh tại nhà máy sản xuất. Bạn không cần phải sử dụng nó, trừ khi cần thiết.

Bạn có thể cắt tấm chắn trên vào giá đỡ khi không sử dụng. Sử dụng kẹp trên tấm chắn trên để giữ nó trên giá đỡ.

- **Hình40:** 1. Giá đỡ 2. Tấm chắn trên 3. Kẹp

Bàn kẹp đứng

⚠ CẢNH BÁO: Phôi gia công phải được cố định chắc chắn vào để xoay và thanh dẫn hướng với bàn kẹp trong toàn bộ quá trình vận hành. Nếu phôi gia công không được cố định chính xác vào thanh chắn, vật liệu có thể xô dịch trong quá trình cắt gây nguy cơ hỏng lưới cửa, làm vật liệu bị văng ra và mất kiểm soát dẫn đến chấn thương cá nhân nghiêm trọng.

- **Hình41:** 1. Tay kẹp 2. Thanh kẹp 3. Ốc xiết 4. Núm kẹp

Bàn kẹp đứng có thể được lắp đặt tại hai vị trí bên trái hoặc bên phải của đế. Lắp thanh kẹp vào lỗ trong đế. Định vị tay kẹp theo chiều dày và hình dạng phôi gia công và cố định tay kẹp bằng cách siết chặt vít. Nếu vít kẹp tiếp xúc với bàn trượt, hãy lắp nó vào phía đối diện với tay kẹp. Đảm bảo rằng không có bộ phận nào của dụng cụ tiếp xúc với mô cặp khi hạ thấp tay cầm hết mức. Nếu có một vài bộ phận tiếp xúc với mô cặp, hãy định vị lại mô cặp.

Ấn phôi gia công ngang bằng với tấm chắn dẫn hướng và để xoay. Định vị phôi gia công ở vị trí cắt mong muốn và cố định nó thật chắc bằng cách siết chặt núm kẹp.

LƯU Ý: Để thiết lập nhanh phôi gia công, vận núm kẹp xoay 90° ngược chiều kim đồng hồ cho phép núm kẹp di chuyển lên và xuống. Để cố định phôi sau khi thiết lập, vận núm kẹp theo chiều kim đồng hồ.

Bàn kẹp ngang

Phụ kiện tùy chọn

⚠ CẢNH BÁO: Luôn xoay đai ốc kẹp theo chiều kim đồng hồ cho đến khi phôi gia công được cố định chính xác. Nếu phôi gia công không được cố định chính xác, vật liệu có thể xô dịch trong quá trình cắt gây nguy cơ hỏng lưỡi cưa, làm vật liệu bị văng ra và mất kiểm soát dẫn đến chấn thương cá nhân nghiêm trọng.

⚠ CẢNH BÁO: Khi cắt phôi gia công mỏng, ví dụ như bàn đế, áp sát phôi về phía tấm chắn, luôn sử dụng bàn kẹp ngang.

⚠ THẬN TRỌNG: Khi cắt vật gia công có độ dày 20 mm hoặc mỏng hơn, phải đảm bảo dùng một khối đế chặn để cố định vật gia công.

Bàn kẹp ngang có thể được lắp đặt ở hai vị trí bên trái hoặc bên phải của đế. Khi thực hiện cắt vát góc 22,5° hoặc lớn hơn, lắp bàn kẹp ngang về ở phía đối diện với hướng mà đế xoay được xoay.

► **Hình42:** 1. Tấm dụng cụ kẹp 2. Đai ốc kẹp 3. Nút kẹp

Bằng cách lật đai ốc kẹp ngược chiều kim đồng hồ, bàn kẹp sẽ được nhả, và nhanh chóng di chuyển vào và ra. Để kẹp chặt phôi gia công, đẩy nút kẹp về trước cho đến khi tấm dụng cụ kẹp tiếp xúc với phôi gia công và lật đai ốc theo chiều kim đồng hồ. Sau đó vặn nút kẹp theo chiều kim đồng hồ.

LƯU Ý: Chiều rộng tối đa của phôi gia công có thể cố định bằng bàn kẹp ngang là 228 mm.

Giá đỡ

⚠ CẢNH BÁO: Luôn đỡ phôi gia công dài để nó nằm ngang với mặt cao nhả của đế xoay để cắt chính xác và tránh mất điều khiển dụng cụ nguy hiểm. Giá đỡ phôi gia công hợp lý sẽ giúp tránh lưỡi cưa bị kẹp và có thể bị đẩy ngược lại, gây chấn thương cá nhân nghiêm trọng.

Để giữ phôi gia công dài theo chiều ngang, giá đỡ được gắn trên cả hai bên dụng cụ. Nới lỏng vít và mở rộng giá đỡ đến chiều dài thích hợp để giữ phôi gia công. Sau đó vặn chặt các vít.

► **Hình43:** 1. Giá đỡ 2. Vít

VẬN HÀNH

⚠ CẢNH BÁO: Phải đảm bảo lưỡi cưa không tiếp xúc với phôi gia công, v.v... trước khi bật công tắc lên. Bật dụng cụ khi lưỡi cưa tiếp xúc với phôi gia công có thể bị đẩy ngược lại và gây thương tích nghiêm trọng.

⚠ CẢNH BÁO: Sau một thao tác cắt, không được nâng lưỡi cưa lên cho đến khi dừng hẳn. Nâng lưỡi cưa đang đi xuống có thể gây thương tích cá nhân nghiêm trọng và phá hỏng phôi gia công.

⚠ CẢNH BÁO: Không thực hiện bất kỳ điều chỉnh như vặn tay cầm, nút và cần trên dụng cụ khi lưỡi cưa đang quay. Điều chỉnh trong khi lưỡi cưa đang quay có thể gây ra chấn thương cá nhân nghiêm trọng.

CHÚ Ý: Trước khi sử dụng, hãy đảm bảo đã mở khóa chốt chặn và nhả tay cầm ra khỏi vị trí hạ xuống.

CHÚ Ý: Không dùng lực quá nhiều trên tay cầm khi cắt. Dùng lực quá nhiều có thể dẫn đến quá tải động cơ và/hoặc giảm hiệu quả cắt. Ấn tay cầm xuống chỉ với lực cần thiết để thao tác cắt trôi chảy và không làm suy giảm đáng kể tốc độ lưỡi cưa.

CHÚ Ý: Nhẹ nhàng ấn tay cầm xuống để thực hiện thao tác cắt. Nếu ấn tay cầm xuống bằng lực hoặc nếu dùng lực ngang, lưỡi cưa có thể rung giật và để lại dấu (dấu cưa) trên phôi gia công và độ chính xác của vết cắt có thể bị ảnh hưởng.

CHÚ Ý: Trong khi cắt trượt, đẩy nhẹ bàn trượt về phía thanh dẫn mà không dừng lại. Nếu chuyển động của bàn trượt ngừng lại trong khi đang cắt, phôi gia công sẽ có vết và việc cắt có thể bị giảm độ chính xác.

Cắt ép xuống

⚠ CẢNH BÁO: Luôn khóa chuyển động trượt của bàn trượt khi thực hiện cắt ép xuống. Cắt khi không khóa có thể gây ra hiện tượng bật ngược trở lại dẫn đến chấn thương cá nhân nghiêm trọng.

Phôi gia công có chiều cao tối đa 68 mm và chiều rộng 160 mm có thể được cắt theo cách sau.

► **Hình44:** 1. Chốt chặn

1. Đẩy bàn trượt về phía thanh dẫn cho đến khi nó dừng lại và khóa nó bằng chốt chặn.
2. Cố định phôi gia công bằng bàn kẹp phù hợp.
3. Bật dụng cụ lên mà không để lưỡi cưa đĩa bị tiếp xúc và đợi đến khi lưỡi cưa đĩa đạt tốc độ đầy đủ trước khi hạ xuống.
4. Nhẹ nhàng hạ thấp tay cầm xuống hết mức để cắt phôi gia công.
5. Sau khi cắt xong, hãy tắt dụng cụ và chờ đến khi lưỡi cưa đĩa dừng hoàn toàn trước khi đưa lưỡi cưa đĩa trở lại vị trí nâng cao hết mức của nó.

Cắt trượt (đẩy) xuống (cắt phối gia công rộng)

⚠ CẢNH BÁO: Bất cứ khi nào thực hiện cắt trượt, trước tiên phải đẩy hoàn toàn bàn trượt về phía mình và ấn tay cầm xuống hoàn toàn, rồi đẩy bàn trượt về phía tám chắn dẫn hướng. Không bắt đầu việc cắt khi bàn trượt không được kéo hoàn toàn về phía bạn. Nếu bạn thực hiện việc cắt trượt khi chưa kéo bàn trượt hoàn toàn về phía mình, bàn trượt có thể bị đẩy ngược trở lại không mong muốn và gây ra thương tích cá nhân nghiêm trọng.

⚠ CẢNH BÁO: Không có thực hiện cắt trượt bằng cách kéo bàn trượt về phía bạn. Kéo bàn trượt về phía bạn trong khi cắt có thể khiến bàn trượt bị đẩy ngược trở lại không mong muốn gây ra thương tích cá nhân nghiêm trọng.

⚠ CẢNH BÁO: Không được phép thực hiện cắt trượt khi tay cầm đã khóa ở vị trí thấp.

► Hình45: 1. Chốt chặn

1. Mở khóa chốt chặn để bàn trượt có thể trượt tự do.
2. Cố định phối gia công bằng bàn kẹp phù hợp.
3. Kéo hoàn toàn bàn trượt về phía bạn.
4. Bật dụng cụ lên mà không để lưỡi cưa bị tiếp xúc và đợi đến khi lưỡi cưa đạt tốc độ đầy đủ.
5. Ấn tay cầm xuống và đẩy bàn trượt về phía tám chắn dẫn hướng và qua phối gia công.
6. Sau khi cắt xong, hãy tắt dụng cụ và chờ đến khi lưỡi cưa dừng hoàn toàn trước khi đưa lưỡi cưa trở lại vị trí nâng cao hết mức của nó.

Cắt vát góc

Tham khảo phần điều chỉnh góc vát.

Cắt xiên

⚠ CẢNH BÁO: Sau khi thiết đặt lưỡi cưa cho cắt xiên góc, hãy chắc chắn rằng bàn trượt và lưỡi cưa có thể di chuyển tự do theo suốt chiều dài của đường định cắt trước khi vận hành dụng cụ. Nếu bị vướng khi đang di chuyển trong lúc cắt, bàn trượt hoặc lưỡi cưa có thể bị đẩy ngược lại và gây ra thương tích cá nhân nghiêm trọng.

⚠ CẢNH BÁO: Trong khi thực hiện cắt xiên góc không để tay trên đường tiến của lưỡi cưa. Góc của lưỡi cưa có thể làm cho người vận hành nhàm lẫn với đường tiến của lưỡi cưa khi cắt và tiếp xúc với lưỡi cưa sẽ gây ra thương tích nghiêm trọng.

⚠ CẢNH BÁO: Không nên nâng lưỡi cưa lên cho đến khi đã dừng lại hoàn toàn. Trong khi cắt xiên góc, phần phối bị cắt có thể bị lưỡi cưa đẩy văng ra. Nếu lưỡi cưa được nâng lên khi đang quay, phần phối cắt có thể bị lưỡi cưa đẩy văng ra, làm cho phối bị vỡ gây ra thương tích cá nhân nghiêm trọng.

CHÚ Ý: Khi ấn tay cầm xuống, hãy tác dụng lực song song với lưỡi cưa. Nếu tác dụng lực vuông góc với đế xoay hoặc nếu thay đổi hướng của lực khi cắt, độ chính xác của vết cắt sẽ bị giảm.

► Hình46

1. Thao thanh chắn trên ở bên mà bạn sẽ nghiêng bàn trượt.
2. Mở khóa chốt chặn.
3. Điều chỉnh góc xiên theo quy trình được diễn giải trong phần điều chỉnh góc xiên. Sau đó siết chặt núm.
4. Cố định phối gia công bằng bàn kẹp.
5. Kéo hoàn toàn bàn trượt về phía bạn.
6. Bật dụng cụ lên mà không để lưỡi cưa bị tiếp xúc và đợi đến khi lưỡi cưa đạt tốc độ đầy đủ.
7. Nhẹ nhàng hạ thấp đến vị trí thấp hết mức trong khi tác dụng lực song song với lưỡi cưa và đẩy bàn trượt về phía tám chắn dẫn hướng để cắt phối gia công.
8. Sau khi cắt xong, hãy tắt dụng cụ và chờ đến khi lưỡi cưa dừng hoàn toàn trước khi đưa lưỡi cưa trở lại vị trí nâng cao hết mức của nó.

Cắt hỗn hợp

Cắt hỗn hợp là quá trình mà trong đó góc xiên được thực hiện cùng một lúc trong khi đang cắt góc vát trên phối gia công. Có thể thực hiện việc cắt hỗn hợp theo góc đã thể hiện trong bảng.

Góc vát chéo	Góc xiên
Trái và Phải 0° - 45°	Trái và Phải 0° - 45°

Khi thực hiện cắt hỗn hợp, hãy tham khảo phần cắt ép xuống, cắt trượt (đẩy) xuống, cắt vát góc và cắt xiên góc.

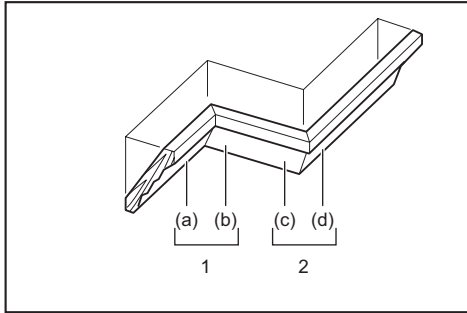
Cắt đường gờ bao quanh và đường gờ vòm

Có thể cắt đường gờ bao quanh và đường gờ vòm trên máy cưa chéo phức hợp với các đường gờ có mặt phẳng đặt trên đế xoay.

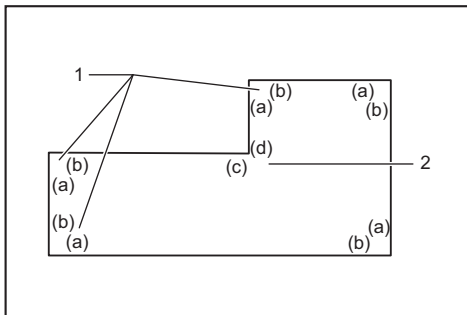
Có hai loại đường gờ bao quanh phổ biến và một loại đường gờ vòm; đường gờ bao quanh góc tường 52/38°, đường gờ bao quanh góc tường 45° và đường gờ vòm góc tường 45°.

- **Hình47:** 1. đường gờ bao quanh góc tường loại 52/38° 2. đường gờ bao quanh góc tường loại 45° 3. đường gờ vòm góc tường loại 45°

Có các phần nối đường gờ bao quanh và đường gờ vòm được tạo ra để khớp với các góc 90° “Bên trong” ((a) và (b) trong hình) và các góc 90° “Bên ngoài” ((c) và (d) trong hình).



1. Góc bên trong 2. Góc bên ngoài



1. Góc bên trong 2. Góc bên ngoài

Đo đạc

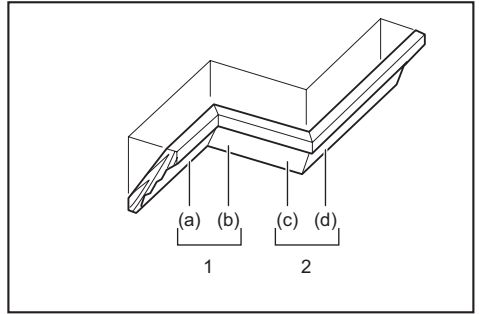
Đo chiều rộng của vách ngăn, và điều chỉnh phối gia công theo chiều rộng của vách ngăn. Luôn đảm bảo rằng chiều rộng của vách ngăn tiếp xúc với cạnh của phối gia công phải có cùng một độ dài.

- **Hình48:** 1. Phối gia công 2. Độ rộng của vách ngăn 3. Độ rộng của phối gia công 4. Vách ngăn tiếp xúc cạnh

Luôn sử dụng nhiều miếng cắt thử khác nhau để kiểm tra các góc của máy cưa.

Khi cắt đường gờ bao quanh và đường gờ vòm, phải thiết đặt góc xiên và góc vát chéo như được thể hiện trong bảng (A) và đặt vị trí các đường gờ trên bề mặt trên cùng của bộ cắt như được thể hiện trong bảng (B).

Trường hợp cắt nghiêng sang trái



1. Góc bên trong 2. Góc bên ngoài

Bảng (A)

-	Vị trí đường gờ trong hình	Góc xiên		Góc vát chéo	
		Loại 52/38°	Loại 45°	Loại 52/38°	Loại 45°
Đối với góc bên trong	(a)	33,9° sang Trái	30° sang Trái	31,6° sang Phải	35,3° sang Phải
	(b)			31,6° sang Trái	35,3° sang Trái
Đối với góc bên ngoài	(c)			31,6° sang Phải	35,3° sang Phải
	(d)			31,6° sang Phải	35,3° sang Phải

Bảng (B)

-	Vị trí đường gờ trong hình	Vị trí cạnh đường gờ dựa vào tấm chắn dẫn hướng	Mảnh đã hoàn tất
Đối với góc bên trong	(a)	Cạnh tiếp xúc với trần phải dựa vào tấm chắn dẫn hướng.	Mảnh đã hoàn tất sẽ nằm bên Trái của lưới cửa.
	(b)	Cạnh tiếp xúc với tường phải dựa vào tấm chắn dẫn hướng.	
Đối với góc bên ngoài	(c)	Cạnh tiếp xúc với trần phải dựa vào tấm chắn dẫn hướng.	Mảnh đã hoàn tất sẽ nằm bên Phải của lưới cửa.
	(d)	Cạnh tiếp xúc với tường phải dựa vào tấm chắn dẫn hướng.	

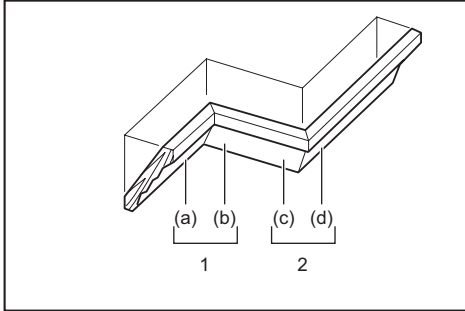
Ví dụ:

Trong trường hợp cắt đường bao quanh loại 52/38° cho vị trí (a) trong hình ở trên:

- Nghiêng và cố định thiết đặt góc xiên sang 33,9° BÊN TRÁI.
- Điều chỉnh và cố định thiết đặt góc vát chéo sang 31,6° BÊN PHẢI.
- Đặt đường gờ bao quanh với mặt sau rộng (ấn) xuống để xoay và CẠNH TIẾP XÚC TRẦN dựa vào tấm chắn dẫn hướng trên máy cưa.

- Mảnh đã hoàn tất được sử dụng sẽ luôn nằm bên **TRÁI** của lưới cửa sau khi đã cắt xong.

Trường hợp cắt xiên góc phải



1. Góc bên trong 2. Góc bên ngoài

Bảng (A)

–	Vị trí đường gờ trong hình	Góc xiên		Góc vát chéo	
		Loại 52/38°	Loại 45°	Loại 52/38°	Loại 45°
Đối với góc bên trong	(a)	33,9° sang Phải	30° sang Phải	31,6° sang Phải	35,3° sang Phải
	(b)			31,6° sang Trái	35,3° sang Trái
Đối với góc bên ngoài	(c)			31,6° sang Phải	35,3° sang Phải
	(d)				

Bảng (B)

–	Vị trí đường gờ trong hình	Vị trí cạnh đường gờ dựa vào tấm chắn dẫn hướng	Mảnh đã hoàn tất
Đối với góc bên trong	(a)	Cạnh tiếp xúc với tường phải dựa vào thanh dẫn.	Mảnh đã hoàn tất sẽ nằm bên Phải của lưới cửa.
	(b)	Cạnh tiếp xúc với trần phải dựa vào thanh dẫn.	
Đối với góc bên ngoài	(c)	Cạnh tiếp xúc với tường phải dựa vào thanh dẫn.	Mảnh đã hoàn tất sẽ nằm bên Trái của lưới cửa.
	(d)	Cạnh tiếp xúc với tường phải dựa vào thanh dẫn.	

Ví dụ:

Trong trường hợp cắt đường bao quanh loại 52/38° cho vị trí (a) trong hình ở trên:

- Nghiêng và cố định thiết đặt góc xiên sang 33,9° **BÊN PHẢI**.
- Điều chỉnh và cố định thiết đặt góc vát chéo sang 31,6° **BÊN PHẢI**.
- Đặt đường gờ bao quanh với mặt sau rộng (ấn) xuống để xoay và **CẠNH TIẾP XÚC TƯỜNG** dựa vào thanh dẫn trên máy cửa.

- Mảnh đã hoàn tất được sử dụng sẽ luôn nằm bên **PHẢI** của lưới cửa sau khi đã cắt xong.

Thanh chặn đường gờ bao quanh góc

Phụ kiện tùy chọn

Thanh chặn đường gờ bao quanh góc cho phép cắt đường gờ bao quanh góc dễ dàng hơn mà không cần nghiêng lưới cửa. Lắp chúng vào để xoay như trong hình.

Tại góc vát phải 45°

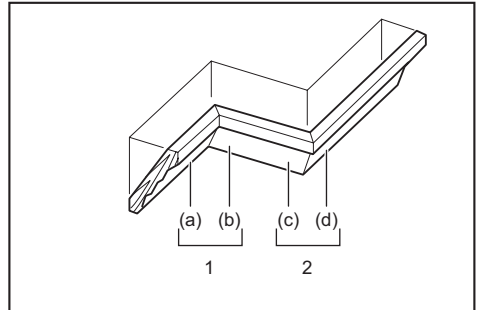
- Hình49:** 1. Thanh chặn đường gờ bao quanh góc trái 2. Thanh chặn đường gờ bao quanh góc phải 3. Để xoay 4. Thanh dẫn

Tại góc vát trái 45°

- Hình50:** 1. Thanh chặn đường gờ bao quanh góc trái 2. Thanh chặn đường gờ bao quanh góc phải 3. Để xoay 4. Thanh dẫn

Đặt đường gờ bao quanh góc với **CẠNH TIẾP XÚC TƯỜNG** về phía thanh chặn đường gờ bao quanh góc như hình minh họa. Điều chỉnh thanh chặn đường gờ bao quanh góc theo kích thước của đường gờ bao quanh góc. Vặn chặt các vít để cố định thanh chặn đường gờ bao quanh góc. Tham khảo bảng (C) đối với góc vát.

- Hình51:** 1. Thanh dẫn 2. Thanh chặn đường gờ bao quanh góc



1. Góc bên trong 2. Góc bên ngoài

Bảng (C)

–	Vị trí đường gờ trong hình	Góc vát	Mảnh đã hoàn tất
Đối với góc bên trong	(a)	45° sang Phải	Lưu lại bên phải của lưới cửa
	(b)	45° sang Trái	Lưu lại bên trái của lưới cửa
Đối với góc bên ngoài	(c)		Lưu lại bên phải của lưới cửa
	(d)	45° sang Phải	Lưu lại bên trái của lưới cửa

Cắt phần đùn nhôm

- **Hình52:** 1. Mô cặp 2. Khối đế chặn 3. Thanh dẫn
4. Phần nhô bằng nhôm 5. Khối đế chặn

Khi giữ chặt phần đùn nhôm, hãy sử dụng các khối chặn hoặc mảnh phế liệu như thể hiện trong hình để ngăn ngừa nhôm biến dạng. Sử dụng dầu nhờn để cắt khi cắt phần đùn nhôm nhằm ngăn chặn vật liệu nhôm tích tụ trên lưỡi cưa đĩa.

⚠CẢNH BÁO: Không bao giờ cố gắng cắt phần đùn nhôm dày hoặc có dạng tròn. Phần đùn nhôm dày hoặc có hình tròn khó có thể cố định và phối có thể bị rơi lỏng khi thao tác cắt, có thể làm kiểm soát và gây chấn thương cá nhân nghiêm trọng.

Cắt rãnh lòng máng

⚠CẢNH BÁO: Không cố thực hiện cách cắt này bằng các lưỡi cưa rộng hoặc bằng lưỡi cưa cắt dài ốp tường. Cắt rãnh lòng máng bằng lưỡi rộng hoặc lưỡi cưa cắt dài ốp tường có thể dẫn đến kết quả cắt không mong muốn và đẩy lưỡi cưa ngược lại có thể gây thương tích cá nhân nghiêm trọng.

⚠CẢNH BÁO: Đảm bảo đưa tay chặn về vị trí ban đầu khi thực hiện các công việc không phải là cắt rãnh lòng máng. Cố cắt khi tay chặn đặt sai vị trí có thể dẫn đến kết quả cắt không mong muốn và đẩy lưỡi cưa ngược lại có thể gây thương tích cá nhân nghiêm trọng.

Đối với máy cắt loại dài ốp tường, thực hiện như sau:

1. Điều chỉnh vị trí giới hạn dưới của lưỡi cưa đĩa bằng vít điều chỉnh và tay chặn để giới hạn độ sâu cắt xuống của lưỡi cưa đĩa. Vui lòng tham khảo phần tay chặn.
 2. Sau khi điều chỉnh vị trí giới hạn dưới của lưỡi cưa đĩa, cắt các đường rãnh song song qua chiều rộng của phối gia công bằng cách cắt trượt (đẩy).
- **Hình53:** 1. Cắt rãnh bằng lưỡi cưa
3. Loại bỏ vật liệu gia công giữa các đường rãnh bằng một cái đục.

Di chuyển dụng cụ

Trước khi thực hiện, hãy chắc chắn đã rút phích cắm và tắt cả bộ phận chuyển động của máy cưa đa góc đã được cố định. Luôn kiểm tra những điều sau:

- Dụng cụ đã rút phích cắm điện.
- Bàn trượt nằm ở vị trí góc xiên 0° và được cố định.
- Bàn trượt đã được hạ xuống và khóa.
- Bàn trượt đã trượt hết mức đến thanh dẫn và được khóa.
- Để xoay nằm ở vị trí góc vát phải hoàn toàn và được cố định.
- Các giá đỡ được cắt và cố định.

Di chuyển dụng cụ bằng cách giữ cả hai bên bộ dụng cụ như trong hình.

- **Hình54**

⚠CẢNH BÁO: Chốt chặn để nâng bàn trượt chỉ dùng để di chuyển và cắt giữ chứ không dùng cho bất kỳ thao tác cắt nào. Việc sử dụng chốt chặn để vận hành cắt có thể làm lưỡi cưa di chuyển không mong muốn, khiến lưỡi cưa bị đẩy ngược lại và gây ra thương tích cá nhân nghiêm trọng.

⚠THẬN TRỌNG: Luôn cố định an toàn tất cả các phần chuyển động trước khi di chuyển dụng cụ. Nếu các phần di chuyển của di chuyển hoặc trượt trong khi thao tác, việc mất kiểm soát hoặc mất cân bằng có thể xảy ra và gây chấn thương cá nhân nghiêm trọng.

BẢO TRÌ

⚠CẢNH BÁO: Luôn bảo đảm rằng dụng cụ được tắt điện và rút phích cắm trước khi thử thực hiện việc kiểm tra hoặc bảo trì. Không tắt và rút phích cắm điện của dụng cụ có thể dẫn đến vô tình khởi động máy gây chấn thương cá nhân nghiêm trọng.

⚠CẢNH BÁO: Luôn đảm bảo rằng lưỡi cưa sắc bén và sạch sẽ để đạt suất hoạt động tốt nhất, an toàn nhất. Cố cắt bằng lưỡi cưa cùn và/hoặc bản có thể khiến lưỡi cưa bị đẩy ngược trở lại và gây ra thương tích cá nhân nghiêm trọng.

CHÚ Ý: Không được phép dùng xăng, ết xăng, dung môi, cồn hoặc hóa chất tương tự. Có thể xảy ra hiện tượng mất mát, biến dạng hoặc nứt vỡ.

Điều chỉnh góc cắt

Dụng cụ này được điều chỉnh và căn chỉnh cẩn thận tại nhà máy, tuy nhiên quá trình vận chuyển dần xóc có thể ảnh hưởng đến việc căn chỉnh này. Nếu dụng cụ của bạn được căn chỉnh không đúng cách, hãy thực hiện các bước sau:

Góc vát chéo

Hạ tay cầm xuống hết mức và khóa nó vào vị trí bên dưới bằng chốt chặn. Đẩy bàn trượt về phía thanh dẫn. Nới lỏng kẹp và vít cố định vạch chuẩn và thang đo góc vát.

- **Hình55:** 1. Vít trên vạch chuẩn 2. Vít trên thang đo góc vát 3. Thang đo góc vát

Thiết lập để xoay đến vị trí 0° bằng chức năng dừng theo chiều thuận. Đặt vuông góc mặt bên của lưỡi cưa với mặt của thanh dẫn sử dụng thước tam giác hoặc thước ê-ke vuông. Trong khi giữ góc vuông, vận chuyển các vít trên thang đo góc vát. Sau đó, căn chỉnh các vạch chuẩn (cả trái và phải) về vị trí 0° trong thang đo góc vát và sau đó vận chuyển vít trên vạch chuẩn.

- **Hình56:** 1. Thước tam giác

Góc xiên

Góc xiên 0°

Đẩy bàn trượt về phía thanh dẫn và khóa chuyển động trượt lại bằng chốt chặn. Hạ tay cầm xuống hết mức và khóa nó vào vị trí bên dưới bằng chốt chặn và sau đó nói lỏng núm. Vận bu lông điều chỉnh 0° hai hoặc ba vòng ngược chiều kim đồng hồ để nghiêng lưới cửa về bên phải.

► **Hình57:** 1. Bu-lông điều chỉnh 0° 2. Vít

Cẩn thận chỉnh ngang bằng mặt bên của lưới cửa với bề mặt trên cùng của đế xoay bằng thước tam giác, thước ê-ke vuông, v.v... bằng cách xoay bu lông điều chỉnh 0° theo chiều kim đồng hồ. Sau đó vận chặt núm để cố định góc 0° bạn đã thiết đặt.

► **Hình58:** 1. Thước tam giác 2. Lưới cửa 3. Mặt trên của đế xoay

Kiểm tra xem các mặt của lưới cửa có vuông góc với đế xoay không lại một lần nữa. Nói lỏng vít trên vạch chuẩn. Căn chỉnh kim chỉ về vị trí 0° trong thanh đo góc xiên và sau đó vận chặt ốc vít.

Góc xiên 45°

CHÚ Ý: Trước khi điều chỉnh góc xiên 45°, hãy hoàn tất điều chỉnh góc xiên 0°.

Nói lỏng núm và nghiêng hết mức bàn trượt về bên phải muốn kiểm tra. Kiểm tra xem vạch chuẩn có chỉ vị trí 45° trong thang đo góc xiên hay không.

► **Hình59**

Nếu kim chỉ không chỉ vị trí 45°, căn chỉnh nó tới vị trí 45° bằng cách vận đai ốc điều chỉnh ở phía đối diện với thang đo góc xiên.

► **Hình60:** 1. Bu-lông điều chỉnh 45° trái 2. Bu-lông điều chỉnh 45° phải

Điều chỉnh vị trí đường laser

Chỉ dành cho kiểu máy LS1019L

⚠ CẢNH BÁO: Công cụ này phải được cắm điện trong khi điều chỉnh đường laser. Hãy thật cẩn thận để không bật dụng cụ trong suốt quá trình điều chỉnh. Vô tình khởi động dụng cụ có thể dẫn đến thương tích cá nhân nghiêm trọng.

⚠ THẬN TRỌNG: Không bao giờ được nhìn trực tiếp vào chùm tia laser. Mất tiếp xúc trực tiếp với chùm tia có thể gây thương tổn nghiêm trọng cho mắt của bạn.

CHÚ Ý: Kiểm tra vị trí của đường laser thường xuyên để đảm bảo chính xác.

CHÚ Ý: Cẩn thận các yếu tố gây ảnh hưởng đến dụng cụ. Nó có thể khiến đường laser không được cân thẳng hàng hoặc có thể gây hư hỏng cho tia laser, làm giảm tuổi thọ máy.

CHÚ Ý: Hãy nhờ một trung tâm dịch vụ ủy quyền của Makita sửa chữa cho bất cứ hư hại nào trên bộ phận laser của dụng cụ.

Phạm vi di chuyển của đường laser được định ra bởi vị trí điều chỉnh phạm vi trên cả hai bên. Thực hiện theo các quy trình sau để thay đổi vị trí đường laser.

1. Tháo phích cắm điện của dụng cụ.
2. Về một đường cắt trên phôi gia công và đặt nó lên để xoay. Tại thời điểm này, không cố định phôi gia công vào bàn kẹp hoặc thiết bị cố định tương tự.
3. Hạ thấp tay cầm và căn chỉnh đường cắt với lưới cửa.
4. Đưa tay cầm trở lại vị trí ban đầu và cố định phôi gia công với bàn kẹp đứng để phôi gia công không xê dịch khỏi vị trí bạn đã xác định.
5. Cắm phích cắm điện của dụng cụ và bật công tắc laser.
6. Nói lỏng vít điều chỉnh. Để di chuyển đường laser ra xa lưới cửa, vận vít điều chỉnh phạm vi ngược chiều kim đồng hồ. Để di chuyển dòng tia laser lại gần lưới cửa, vận vít điều chỉnh phạm vi theo chiều kim đồng hồ.

Điều chỉnh đường laser ở bên trái của lưới cửa

► **Hình61:** 1. Vít điều chỉnh 2. Vít điều chỉnh phạm vi 3. Cờ lê sáu cạnh 4. Đường laser 5. Lưới cửa

Điều chỉnh đường laser ở bên phải của lưới cửa

► **Hình62:** 1. Vít điều chỉnh 2. Vít điều chỉnh phạm vi 3. Cờ lê sáu cạnh 4. Đường laser 5. Lưới cửa

7. Trượt vít điều chỉnh đến vị trí mà đường laser sẽ đi vào đường cắt và vận chặt.

LƯU Ý: Phạm vi di chuyển của đường laser được nhà sản xuất điều chỉnh trong vòng 1 mm (0,04") từ mặt bên của lưới cửa.

Làm sạch ống kính chiếu laser

Chỉ dành cho kiểu máy LS1019L

Ánh sáng laser sẽ trở nên khó nhìn thấy khi ống kính chiếu laser bị bẩn. Hãy làm sạch ống kính chiếu laser theo định kỳ.

► **Hình63:** 1. Vít 2. Ống kính

Tháo phích cắm điện của dụng cụ. Nói lỏng vít và kéo ống kính ra. Làm sạch ống kính nhẹ nhàng bằng một miếng vải mềm ẩm.

CHÚ Ý: Không tháo vít cố định các ống kính. Nếu ống kính không kéo ra được, hãy nói lỏng vít hơn nữa.

CHÚ Ý: Không được sử dụng các loại dung môi hay bất kỳ chất tẩy rửa gốc dầu nào cho ống kính.

Thay thế các chổi các-bon

► Hình64: 1. Vạch giới hạn

Hãy tháo và kiểm tra các chổi các-bon định kỳ. Thay thế khi chổi đã mòn đến vạch giới hạn. Giữ các chổi các-bon sạch và có thể trượt dễ dàng vào chỗ giữ chổi. Cả hai chổi các-bon phải được thay thế cùng một lúc. Chỉ sử dụng các chổi các-bon giống nhau.

Hãy sử dụng một tuốc-nơ-vít để tháo các nắp giữ chổi. Hãy tháo các chổi các-bon đã bị mòn, lắp vào các chổi mới và vặn chặt các nắp giữ chổi.

► Hình65: 1. Nắp giữ chổi

Sau khi thay thế chổi, cắm điện dụng cụ và làm cho các chổi khít với nhau bằng cách chạy dụng cụ không tải khoảng 10 phút. Sau đó kiểm tra dụng cụ trong khi đang chạy và hoạt động của phan điện tử khi nhà cần khởi động công tắc. Nếu phan điện là không làm việc chính xác, hãy nhờ trung tâm dịch vụ của Makita sửa chữa dụng cụ cho bạn.

Sau khi sử dụng

Sau khi sử dụng, hãy lau sạch các phoi và mặt bám vào dụng cụ bằng vải hoặc vật liệu tương tự. Giữ cho phần bảo vệ lưới cửa luôn sạch sẽ theo các hướng dẫn trong phần có tiêu đề "Phần bảo vệ lưới cửa" đã trình bày trước đó. Bôi trơn các phần trượt bằng dầu máy để ngăn ngừa rỉ sét.

Để đảm bảo ĐỘ AN TOÀN và ĐỘ TIN CẬY của sản phẩm, việc sửa chữa hoặc bất cứ thao tác bảo trì, điều chỉnh nào đều phải được thực hiện bởi các Trung tâm Dịch vụ Nhà máy hoặc Trung tâm được Makita Ủy quyền và luôn sử dụng các phụ tùng thiết bị thay thế của Makita.

PHỤ KIỆN TỰY CHỌN

▲CẢNH BÁO: Những phụ tùng hoặc phụ kiện Makita này được khuyến nghị sử dụng với dụng cụ Makita của bạn được nêu rõ trong tài liệu này. Sử dụng bất kỳ phụ tùng hoặc phụ kiện nào khác cũng có thể gây thương tích cá nhân nghiêm trọng.

▲CẢNH BÁO: Chỉ sử dụng phụ tùng hoặc phụ kiện Makita cho mục đích đã được nêu. Sử dụng không đúng phụ tùng hoặc phụ kiện có thể gây thương tích cá nhân nghiêm trọng.

Nếu bạn cần bất kỳ sự hỗ trợ nào để biết thêm chi tiết về các phụ tùng này, hãy hỏi Trung tâm Dịch vụ của Makita tại địa phương của bạn.

- Lưới cửa bằng Thép & bịt Các-bua
- Bàn kẹp đứng
- Bàn kẹp ngang
- Bộ thanh chặn đường gờ bao quanh góc
- Túi đựng mặt cửa
- Quy tắc tam giác
- Cờ lê sáu cạnh
- Cờ lê sáu cạnh (đối với LS1019L)

LƯU Ý: Một số mục trong danh sách có thể được bao gồm trong gói dụng cụ làm phụ kiện tiêu chuẩn. Các mục này ở mỗi quốc gia có thể khác nhau.

ข้อมูลจำเพาะ

รุ่น:		LS1019	LS1019L
เส้นผ่านศูนย์กลางใบเลื่อย	ประเทศในยุโรป	260 mm	
	ประเทศอื่นๆ นอกเหนือจากยุโรป	255 mm - 260 mm	
เส้นผ่านศูนย์กลางของรู	ประเทศในยุโรป	30 mm	
	ประเทศอื่นๆ นอกเหนือจากยุโรป	25.4 mm	
ความหนาสูงสุดของร่องตัดของใบเลื่อย		3.2 mm	
องศาการบากสูงสุด		ขวา 60°, ซ้าย 60°	
องศามุมเอียงสูงสุด		ขวา 48°, ซ้าย 48°	
ความเร็วขณะหมุนเปล่า (RPM)		3,200 min ⁻¹	
ประเภทของเลเซอร์		-	เลเซอร์สีแดง 650 nm, เอาท์พุทสูงสุด < 1.6mW (ระดับของเลเซอร์ 2M)
ขนาด (ยาว x กว้าง x สูง)		805 mm x 644 mm x 660 mm	
น้ำหนักสุทธิ		26.1 kg	26.3 kg

ความสามารถในการตัด (สูง x กว้าง)

องศาหมุมบาก	องศามุมเอียง		
	45° (ซ้าย)	0°	45° (ขวา)
0°	42 mm x 310 mm	68 mm x 310 mm	29 mm x 310 mm
	58 mm x 279 mm	91 mm x 279 mm	43 mm x 279 mm
45° (ขวาและซ้าย)	42 mm x 218 mm	68 mm x 218 mm	29 mm x 218 mm
	58 mm x 197 mm	91 mm x 197 mm	43 mm x 197 mm
60° (ขวาและซ้าย)	-	68 mm x 155 mm 91 mm x 139 mm	-

ความสามารถการตัดสำหรับการตัดแบบพิเศษ

ประเภทของการตัด	ความสามารถการตัด
บัวผนังแบบ 45° (ใช้ร่วมกับสตอปเปอร์บัวผนัง)	168 mm
แผ่นรองฐาน (ใช้ร่วมกับตัวหนีบแนวนอน)	133 mm

- เนื่องจากการค้นคว้าวิจัยและพัฒนาอย่างต่อเนื่อง ข้อมูลจำเพาะในเอกสารฉบับนี้อาจเปลี่ยนแปลงได้โดยไม่ต้องแจ้งให้ทราบล่วงหน้า
- ข้อมูลจำเพาะอาจแตกต่างกันไปในแต่ละประเทศ
- น้ำหนักตามข้อบังคับของ EPTA 01/2014

สัญลักษณ์

ต่อไปนี้เป็นสัญลักษณ์ที่ใช้สำหรับอุปกรณ์ โปรดศึกษาความหมายของสัญลักษณ์ให้เข้าใจก่อนการใช้งาน



อ่านคู่มือการใช้งาน



ฉนวนสองชั้น



เพื่อป้องกันการบาดเจ็บจากเศษวัสดุ กระเด็น ให้ถือเลื่อยให้ห้อยอยู่ต่ำเสมอทั้งเมื่อตัดเสร็จจนกระทั่งใบเลื่อยหยุดสนิท



เมื่อทำการตัดมุมเฉียง ให้หมุนปุมหมุนทวนเข็มนาฬิกา ก่อน แล้วค่อยเอียงโครงยก หลังจากนั้นให้หมุนปุมหมุนตามเข็มนาฬิกา เพื่อขันแน่น



เมื่อทำการตัดสไลด์ ชั้นแรกให้ดึงแคร่จนสุดและกดปุ่มจับลง แล้วจึงดันแคร่ไปหาลากนำ



กดปุ่มปล่อยค้ำไว้ขณะเอียงโครงยกไปทางขวา



เชื่อมต่อกับสตอปเปอร์เมื่อทำการตัดแผ่นรองฐานที่องศามุมฉาก 45°



อย่านำมือหรือนิ้วไปใกล้ใบเลื่อย



ห้ามมองลำแสงเลเซอร์เด็ดขาด ลำแสงเลเซอร์อาจทำให้ดวงตาคุณบาดเจ็บ



อย่าติดตั้งตัวหนีบแนวนอนในทิศทางเดียวกันกับการตัดมุมฉาก (สัญลักษณ์นี้ใช้กับตัวหนีบแนวนอน)



สำหรับประเทศในสหภาพยุโรปเท่านั้น ห้ามทิ้งอุปกรณ์ไฟฟ้ารวมกับขยะครัวเรือนทั่วไป เพื่อให้เป็นไปตามกฎระเบียบของยุโรปเกี่ยวกับขยะจากอุปกรณ์ไฟฟ้าและอิเล็กทรอนิกส์ และการปฏิบัติตามกฎหมายในประเทศ ต้องเก็บอุปกรณ์ไฟฟ้าทั้งหมดอายุการใช้งานแล้วแยกต่างหาก และส่งกลับไปยังศูนย์รีไซเคิลที่เป็นมิตรต่อสิ่งแวดล้อม

จุดประสงค์การใช้งาน

เครื่องมือนี้มีจุดประสงค์เพื่อใช้ตัดไม้แบบตรงและแบบบากได้อย่างแม่นยำ ใบเลื่อยที่เหมาะสมสามารถใช้เลื่อยอะลูมิเนียมได้ด้วย

แหล่งจ่ายไฟ

ควรเชื่อมต่อเครื่องมือกับแหล่งจ่ายไฟที่มีแรงดันไฟฟ้าตามที่ระบุไว้ในป้ายข้อมูลของเครื่องมือ และจะต้องใช้ไฟฟ้ากระแสสลับแบบเฟสเดียวเท่านั้น อุปกรณ์นี้ได้รับการหุ้มฉนวนสองชั้นและสามารถใช้กับปลั๊กไฟที่ไม่มีสายดินได้

คำเตือนด้านความปลอดภัย

คำเตือนด้านความปลอดภัยของเครื่องมือไฟฟ้าทั่วไป

คำเตือน: โปรดอ่านคำเตือนด้านความปลอดภัย คำแนะนำ ภาพประกอบ และข้อมูลจำเพาะต่างๆ ที่ให้มา กับเครื่องมือไฟฟ้านี้อย่างละเอียด การไม่ปฏิบัติตามคำแนะนำดังต่อไปนี้อาจส่งผลให้เกิดไฟฟ้าช็อต ไฟไหม้ และ/หรือได้รับบาดเจ็บอย่างร้ายแรงได้

เก็บรักษาคำเตือนและคำแนะนำทั้งหมดไว้

เป็นข้อมูลอ้างอิงในอนาคต

คำว่า “เครื่องมือไฟฟ้า” ในคำเตือนนี้หมายถึงเครื่องมือไฟฟ้า (มีสาย) ที่ทำงานโดยใช้กระแสไฟฟ้าหรือเครื่องมือไฟฟ้า (ไร้สาย) ที่ทำงานโดยใช้แบตเตอรี่

ความปลอดภัยของพื้นที่ทำงาน

1. ดูแลพื้นที่ทำงานให้มีความสะอาดและมีแสงไฟสว่าง พื้นที่กระเบื้องกระเบื้องหรือมีดที่บอบอาจนำไปสู่การเกิดอุบัติเหตุได้
2. อย่าใช้งานเครื่องมือไฟฟ้าในสภาพที่อาจเกิดการระเบิด เช่น ในสถานที่ที่มีของเหลว ก๊าซ หรือฝุ่นผงที่มีคุณสมบัติไวไฟ เครื่องมือไฟฟ้าอาจสร้างประกายไฟและจุดชนวนฝุ่นผงหรือก๊าซดังกล่าว
3. ดูแลไม่ให้มีเด็ก หรือบุคคลอื่นอยู่ในบริเวณที่กำลังใช้เครื่องมือไฟฟ้า การมีสิ่งรบกวนสมาธิอาจทำให้คุณสูญเสียการควบคุม

ความปลอดภัยด้านไฟฟ้า

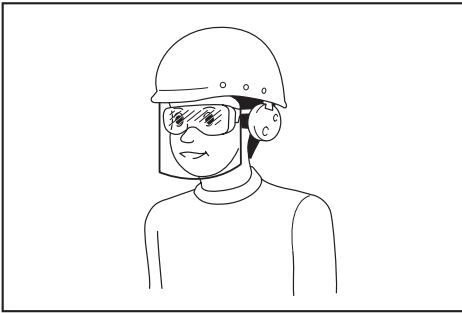
1. ปลั๊กของเครื่องมือไฟฟ้าต้องพอดีกับเต้ารับ อย่าดัดแปลงปลั๊กไม่อย่างกรณีใดๆ อย่าใช้ปลั๊กอะแดปเตอร์กับเครื่องมือไฟฟ้าที่ต่อสายดิน ปลั๊กที่ไม่ถูกดัดแปลงและเต้ารับที่เข้ากันพอดีจะช่วยลดความเสี่ยงของการเกิดไฟฟ้าช็อต
2. ระวังอย่าให้ร่างกายสัมผัสกับพื้นผิวที่ต่อสายดิน เช่น ท่อ เครื่องนำความร้อน เตาหุงต้ม และตู้เย็น มีความเสี่ยงที่จะเกิดไฟฟ้าช็อตสูงขึ้น หากร่างกายของคุณสัมผัสกับพื้น
3. อย่าให้เครื่องมือไฟฟ้าถูกน้ำหรืออยู่ในสภาพเปียกชื้น น้ำที่ไหลเข้าไปในเครื่องมือไฟฟ้าจะเพิ่มความเสี่ยงของการเกิดไฟฟ้าช็อต
4. อย่าใช้สายไฟอย่างไม่เหมาะสม อย่าใช้สายไฟเพื่อยก ดึง หรือถอดปลั๊กเครื่องมือไฟฟ้า เก็บสายไฟให้ห่างจากความร้อน น้ำมัน ของมีคม หรือชิ้นส่วนที่เคลื่อนที่ สายที่ชำรุดหรือพันกันจะเพิ่มความเสี่ยงของการเกิดไฟฟ้าช็อต
5. ขณะที่ใช้งานเครื่องมือไฟฟ้ากลางแจ้ง ควรใช้สายต่อพ่วงที่เหมาะสมกับงานกลางแจ้งกลางแจ้ง การใช้สายที่เหมาะสมกับงานกลางแจ้งจะลดความเสี่ยงของการเกิดไฟฟ้าช็อต
6. หากต้องใช้งานเครื่องมือไฟฟ้าในสถานที่เปียกชื้น ให้ใช้อุปกรณ์ป้องกันกระแสไฟรั่ว (RCD) การใช้ RCD จะลดความเสี่ยงของการเกิดไฟฟ้าช็อต
7. แนะนำให้ใช้แหล่งจ่ายไฟผ่าน RCD ที่มีกระแสไฟรั่วในอัตราไม่เกิน 30 mA เสมอ

8. เครื่องมือไฟฟ้าอาจสร้างสนามแม่เหล็ก (EMF) ที่ไม่เป็นอันตรายต่อผู้ใช้ อย่างไรก็ตาม ผู้ใช้ที่ใส่เครื่องกระตุ้นหัวใจและอุปกรณ์ทางการแพทย์ที่คล้ายกันนี้ควรติดต่อผู้ผลิตอุปกรณ์และ/หรือแพทย์เพื่อรับคำแนะนำก่อนใช้งานเครื่องมือไฟฟ้านี้
9. อย่าจับปลั๊กไฟด้วยมือที่เปียก
10. หากสายไฟชำรุด โปรดให้ผู้ผลิตหรือตัวแทนของผู้ผลิตเปลี่ยนให้ เพื่อหลีกเลี่ยงอันตราย

ความปลอดภัยส่วนบุคคล

1. ให้ระมัดระวังและมีสติอยู่เสมอขณะใช้งานเครื่องมือไฟฟ้า อย่าใช้งานเครื่องมือไฟฟ้าในขณะที่คุณกำลังเหนื่อย หรือในสภาพที่มึนเมาจากยาเสพติด เครื่องดื่ม แอลกอฮอล์ หรือการหายใจ ชั่วขณะที่ขาดความระมัดระวังเมื่อกำลังใช้งานเครื่องมือไฟฟ้าอาจทำให้ได้รับบาดเจ็บร้ายแรง
2. ใช้อุปกรณ์ป้องกันส่วนบุคคล สวมแว่นตาป้องกันเสมอ อุปกรณ์ป้องกัน เช่น หน้ากากกันฝุ่น รองเท้านิรภัยกันลื่น หมวกนิรภัย หรือเครื่องป้องกันการได้ยินที่ใช้ในสภาพที่เหมาะสมจะช่วยลดการบาดเจ็บ
3. ป้องกันไม่ให้เกิดการเปิดใช้งานโดยไม่ตั้งใจ ตรวจสอบให้แน่ใจว่าสวิตช์ปิดอยู่ก่อนที่จะเชื่อมต่อกับแหล่งจ่ายไฟ และ/หรือชุดแบตเตอรี่ รวมทั้งตรวจสอบก่อนการยกหรือเคลื่อนย้ายเครื่องมือ การสอดนิ้วมือบริเวณสวิตช์เพื่อถือเครื่องมือไฟฟ้า หรือการชาร์จไฟเครื่องมือไฟฟ้าในขณะที่เปิดสวิตช์อยู่อาจนำไปสู่การเกิดอุบัติเหตุ
4. นำกฎแบริ่งตั้งหรือประแจออกก่อนที่จะเปิดเครื่องมือไฟฟ้า ประแจหรือกฎแบริ่งที่เสียบค้างอยู่ในชิ้นส่วนที่หมุนไต่ของเครื่องมือไฟฟ้าอาจทำให้ได้รับบาดเจ็บ
5. อย่าทำงานในระยะที่มืดเกินไป จัดทำการยืนและการทรงตัวให้เหมาะสมตลอดเวลา เพราะจะทำให้ควบคุมเครื่องมือไฟฟ้าได้ดีขึ้นในสถานการณ์ที่ไม่คาดคิด
6. แต่งกายให้เหมาะสม อย่าสวมเครื่องแต่งกายที่หลวมเกินไป หรือสวมเครื่องประดับ ดูแลไม่ให้เส้นผมและเสื้อผ้าอยู่ใกล้ชิ้นส่วนที่เคลื่อนที่ เสื้อผ้า ร่ม ร่ม เครื่องประดับ หรือผมที่มีความยาวอาจเข้าไปติดในชิ้นส่วนที่เคลื่อนที่
7. หากมีการจัดอุปกรณ์สำหรับดูดและจัดเก็บฝุ่นไว้ในสถานที่ ให้ตรวจสอบว่าได้เชื่อมต่อและใช้งานอุปกรณ์นั้นอย่างเหมาะสม การใช้เครื่องดูดและจัดเก็บฝุ่นจะช่วยลดอันตรายที่เกิดจากฝุ่นผงได้

8. อย่าให้ความคุ้นเคยจากการใช้งานเครื่องมือเป็นประจำทำให้คุณทำตามตัวตามสบายและละเลยหลักการเพื่อความปลอดภัยในการใช้เครื่องมือ การกระทำที่ไม่ระมัดระวังอาจทำให้เกิดการบาดเจ็บร้ายแรงภายในเสี้ยววินาที
9. สวมใส่แว่นครอบตานิรภัยเพื่อปกป้องดวงตาของคุณจากการบาดเจ็บเมื่อใช้เครื่องมือไฟฟ้า แว่นครอบตาจะต้องได้มาตรฐาน ANSI Z87.1 ในสหรัฐอเมริกา, EN 166 ในยุโรป หรือ AS/NZS 1336 ในออสเตรเลีย/นิวซีแลนด์ ในออสเตรเลีย/นิวซีแลนด์ จะต้องสวมเกราะป้องกันใบหน้าเพื่อปกป้องใบหน้าของคุณอย่างถูกต้องตามกฎหมายด้วย



ผู้ว่าจ้างมีหน้าที่รับผิดชอบในการบังคับผู้ใช้งานเครื่องมือและบุคคลอื่นๆ ที่อยู่ในบริเวณที่ปฏิบัติงานให้ใช้อุปกรณ์ป้องกันที่เหมาะสม

การใช้และดูแลเครื่องมือไฟฟ้า

1. อย่าเดินใช้เครื่องมือไฟฟ้า ใช้เครื่องมือไฟฟ้าที่เหมาะสมกับการใช้งานของคุณ เครื่องมือไฟฟ้าที่เหมาะสมจะทำให้ได้งานที่มีประสิทธิภาพและปลอดภัยกว่าตามขีดความสามารถของเครื่องที่ได้รับการออกแบบมา
2. อย่าใช้เครื่องมือไฟฟ้า หากสวิตช์ไม่สามารถเปิดปิดได้ เครื่องมือไฟฟ้าที่ควบคุมด้วยสวิตช์ไม่ได้เป็นสิ่งอันตรายและต้องได้รับการซ่อมแซม
3. ถอดปลั๊กจากแหล่งจ่ายไฟ และ/หรือชุดแบตเตอรี่ออกจากเครื่องมือไฟฟ้าก่อนทำการปรับตั้ง เปลี่ยนอุปกรณ์เสริม หรือจัดเก็บเครื่องมือไฟฟ้า วิธีการป้องกันด้านความปลอดภัยดังกล่าวจะช่วยลดความเสี่ยงในการเปิดใช้งานเครื่องมือไฟฟ้าโดยบังเอิญ
4. จัดเก็บเครื่องมือไฟฟ้าที่ไม่ได้ใช้งานให้ห่างจากมือเด็ก และอย่าอนุญาตให้บุคคลที่ไม่คุ้นเคยกับเครื่องมือไฟฟ้าหรือคำแนะนำเหล่านี้ใช้งานเครื่องมือไฟฟ้า เครื่องมือไฟฟ้าจะเป็นอันตรายเมื่ออยู่ในมือของผู้ที่ไม่ได้รับการฝึกอบรม

5. บำรุงรักษาเครื่องมือไฟฟ้าและอุปกรณ์เสริม ตรวจสอบการประกอบที่ไม่ถูกต้องหรือการเชื่อมต่อของชิ้นส่วนที่เคลื่อนที่ การแตกหักของชิ้นส่วน หรือสภาพอื่นๆ ที่อาจส่งผลกระทบต่อการทำงานของเครื่องมือไฟฟ้า หากมีความเสียหาย ให้นำเครื่องมือไฟฟ้าไปซ่อมแซมก่อนการใช้งาน อุบัติเหตุจำนวนมากเกิดจากการดูแลรักษาเครื่องมือไฟฟ้าอย่างไม่ถูกต้อง
6. ทำความสะอาดเครื่องมือตัดและลับให้คมอยู่เสมอ เครื่องมือการตัดที่มีการดูแลอย่างถูกต้องและมีขอบการตัดคมมักจะมีปัญหาติดขัดน้อยและควบคุมได้ง่ายกว่า
7. ใช้เครื่องมือไฟฟ้า อุปกรณ์เสริม และวัสดุสิ้นเปลือง ฯลฯ ตามคำแนะนำดังกล่าว พิจารณาสภาพการทำงานและงานที่จะลงมือทำ การใช้เครื่องมือไฟฟ้าเพื่อทำงานอื่นนอกเหนือจากที่กำหนดไว้อาจทำให้เกิดอันตราย
8. ดูแลมือจับและบริเวณมือจับให้แห้ง สะอาด และไม่มีน้ำมันและจาระบีเปื้อน มือจับและบริเวณมือจับที่ลื่นจะทำให้ไม่สามารถจับและควบคุมเครื่องมือได้อย่างปลอดภัยในสถานการณ์ที่ไม่คาดคิด
9. ขณะใช้งานเครื่องมือ อย่ายอมใส่ถุงมือผ้าที่อาจเข้าไปติดในเครื่องมือได้ หากถุงมือผ้าเข้าไปติดในชิ้นส่วนที่กำลังเคลื่อนที่ที่อยู่อาจทำให้ได้รับบาดเจ็บ

การซ่อมบำรุง

1. นำเครื่องมือไฟฟ้าเข้ารับบริการจากช่างซ่อมที่ผ่านการรับรองโดยใช้อะไหล่แบบเดียวกันเท่านั้น เพราะจะทำให้การใช้เครื่องมือไฟฟ้ามีความปลอดภัย
2. ปฏิบัติตามคำแนะนำในการหล่อลื่นและการเปลี่ยนอุปกรณ์เสริม

คำแนะนำเพื่อความปลอดภัยสำหรับเครื่องเลื่อยองศาแบบสไลด์

1. เครื่องเลื่อยองศาแบบสไลด์ใช้สำหรับตัดไม้หรือวัสดุที่คล้ายไม้ ไม่สามารถใช้กับลวดตัดแบบขัดสำหรับตัดวัสดุประเภทเหล็ก เช่น แท่งโลหะ ก้านโลหะ สลัก ฯลฯ ฝุ่นจากการขัดทำให้ชิ้นส่วนหมุน เช่น ที่ป้องกันด้านล่าง ติดขัด ประกายไฟจากการตัดโดยการขัดจะทำให้ที่ป้องกันด้านล่าง ช่องร่องตัด และชิ้นส่วนพลาสติกอื่นๆ ใหม้

2. ใช้ที่หนีบยึดจับชิ้นงานเสมอ ถ้าจับชิ้นงานด้วยมือ ต้องให้มืออยู่ห่างจากใบเลื่อยแต่ละด้านอย่างน้อย 100 mm อย่าใช้เลื่อยนี้ตัดชิ้นงานที่มีขนาดเล็กเกินไป ที่จะทำให้แน่นด้วยที่หนีบหรือจับด้วยมือ ถ้าวางมือไกลใบเลื่อยเกินไป อาจเพิ่มความเสี่ยงที่จะได้รับบาดเจ็บจากการสัมผัสใบเลื่อย
 3. ชิ้นงานจะต้องมีความมั่นคง และยึดจับหรือประคองให้ชิดกับฉากกันและโต๊ะ หรือนำชิ้นงานเข้าไปในใบเลื่อยหรือตัด "ด้วยมือเปล่า" ไม่ว่าจะวิธีใดก็ตาม ชิ้นงานที่ไม่มั่นคงหรือเคลื่อนที่ไปมาอาจเหวี่ยงออกด้วยความเร็วสูงซึ่งทำให้ได้รับบาดเจ็บได้
 4. ดันเลื่อยออกจากตัวเพื่อตัดผ่านชิ้นงาน อย่าดีเลื่อยเข้าหาตัวเพื่อตัดผ่านชิ้นงาน วิธีการตัด ให้ยกหัวเลื่อยและดึงขึ้นเหนือชิ้นงานโดยยังไม่ทำการตัด เปิดมอเตอร์ กัดหัวเลื่อยลงและดันเลื่อยออกจากตัวเพื่อตัดผ่านชิ้นงาน การตัดโดยการดึงเข้ามีแนวโน้มที่จะทำให้ใบเลื่อยป็นชิ้นบนชิ้นงานและเหวี่ยงส่วนประกอบใบเลื่อยเข้าหาผู้ปฏิบัติงานอย่างรุนแรง
 5. อย่าวางมือพาดบนแนวการตัดไม่ว่าจะด้านหน้าหรือด้านหลังใบเลื่อย การจับชิ้นงานแบบ "วางมือพาด" เช่น การจับชิ้นงานให้ตรงกับใบเลื่อยด้วยมือซ้ายหรือมือขวาก็ตามนั้นอันตรายมาก
- หมายเลข 1
6. อย่านำมือเข้าใกล้ด้านหลังฉากกันเกินกว่า 100 mm จากทั้งสองด้านของใบเลื่อยเพื่อนำเศษไม้ออก หรือเพื่อเหตุผลอื่นๆ ในขณะที่ใบเลื่อยยังหมุนอยู่ ใบเลื่อยอาจหมุนเข้าใกล้มือของคุณโดยไม่รู้ตัวและอาจทำให้คุณได้รับบาดเจ็บสาหัสได้
 7. ตรวจสอบชิ้นงานก่อนการตัด ถ้าชิ้นงานโค้งหรืองอ ให้ยึดโดยให้ส่วนโค้งด้านนอกหันเข้าหาฉากกัน ตรวจสอบให้แน่ใจเสมอว่าไม่มีช่องว่างระหว่างชิ้นงาน ฉากกัน และโต๊ะตลอดแนวการตัด ชิ้นงานที่โค้งหรืองออาจบิดหรือเคลื่อนที่ และอาจทำให้ใบเลื่อยที่กำลังหมุนติดขณะตัด ไม่ควรมีตะปูหรือวัตถุแปลกปลอมในชิ้นงาน
 8. อย่าใช้งานเลื่อยจนกว่าจะนำเครื่องมือ เศษไม้ ฯลฯ ออกจากบนโต๊ะให้หมด และเหลือเฉพาะชิ้นงาน เศษวัสดุชิ้นเล็ก หรือชิ้นส่วนของไม้หรือวัตถุอื่นๆ ที่สัมผัสกับใบเลื่อยที่กำลังหมุนอาจถูกเหวี่ยงออกด้วยความเร็วสูง
 9. ตัดชิ้นงานเพียงครั้งละชิ้นเท่านั้น ชิ้นงานที่วางซ้อนกันหลายชิ้นอาจทำให้ไม่สามารถจับหรือยึดได้ตพอ และอาจเข้าปัดกับใบเลื่อยหรือเคลื่อนที่ขณะตัด
 10. ตรวจสอบให้แน่ใจว่าติดตั้งหรือวางเครื่องเลื่อยองศาแบบสไลด์บนพื้นผิวสำหรับการทำงานที่ราบเรียบและมั่นคงก่อนใช้งาน พื้นผิวสำหรับการทำงานที่ราบเรียบและมั่นคงช่วยลดความเสี่ยงที่เครื่องเลื่อยองศาแบบสไลด์จะโยกคลอน
 11. วางแผนการทำงาน ทุกครั้งที่คุณเปลี่ยนการตั้งค่าองศามุมเอียงหรือมุมปาก ตรวจสอบให้แน่ใจว่าได้ปรับตั้งฉากกันแบบปรับได้เพื่อรองรับชิ้นงานอย่างถูกต้องแล้ว และจะไม่กีดขวางใบเลื่อยหรือระบบป้องกันก่อน "เปิด" เครื่องมือและวางชิ้นงานบนโต๊ะ ให้ลองเลื่อนใบเลื่อยจำลองการตัด เพื่อตรวจสอบให้แน่ใจว่าจะไม่มีการกีดขวางหรืออันตรายจากการตัดโดนฉากกัน
 12. จัดเตรียมที่รองให้เพียงพอ เช่น โต๊ะต่อ ม้าตั้ง ฯลฯ สำหรับชิ้นงานที่มีขนาดกว้างกว่าหรือยาวกว่าหน้าโต๊ะ ชิ้นงานที่มีขนาดยาวกว่าหรือกว้างกว่าโต๊ะวางเครื่องเลื่อยองศาแบบสไลด์อาจจะคว่ำลงมาได้ถ้าไม่รองอย่างดี ถ้าชิ้นส่วนที่ตัดแล้วหรือชิ้นงานคว่ำลงมา อาจทำให้ที่ป้องกันด้านล่างยกขึ้นหรือถูกใบเลื่อยที่หมุนอยู่เหวี่ยงออกมา
 13. อย่าให้บุคคลอื่นรองรับชิ้นงานแทนโต๊ะต่อหรือรองรับเพิ่มจากโต๊ะต่อ การรองรับชิ้นงานที่ไม่มั่นคงอาจทำให้ใบเลื่อยติดขัดหรือชิ้นงานเคลื่อนที่ระหว่างดำเนินการตัดซึ่งจะดึงคุณและผู้ช่วยเข้าหาใบเลื่อยที่กำลังหมุนอยู่
 14. ชิ้นส่วนที่ตัดแล้วจะต้องไม่เข้าไปปิดหรือกีดกับใบเลื่อยที่กำลังหมุนอยู่เด็ดขาด ถ้ามีการจำกัด เช่น การใช้เครื่องกำหนดความยาว ชิ้นส่วนที่ตัดอาจถูกบีบอัดกับไม้เลื่อยและถูกเหวี่ยงออกอย่างรุนแรง
 15. ใช้ที่หนีบหรือที่ยึดที่ออกแบบมาเพื่อจับยึดวัสดุทรงกลมเช่น แท่งเหล็กหรือท่อ โดยเฉพาะเสมอ มีแนวโน้มว่าแท่งเหล็กอาจหมุนขณะกำลังตัดซึ่งจะทำให้ใบเลื่อย "ติด" และดึงชิ้นงานและมือของคุณเข้าไปในใบเลื่อยได้
 16. ปลดปล่อยใบเลื่อยหมุนที่ความเร็วสูงสุดก่อนสัมผัสกับชิ้นงาน ซึ่งจะช่วยลดความเสี่ยงที่ชิ้นงานจะถูกเหวี่ยงออก
 17. ถ้าชิ้นงานหรือใบเลื่อยติด ให้ปิดเครื่องเลื่อยองศา รอจนกระทั่งชิ้นงานที่หมุนหยุดและถอดปลั๊กจากแหล่งจ่ายไฟ และ/หรือ ถอดชุดเบรคเตอร์ีออก จากนั้นจัดการนำวัสดุที่ติดใบเลื่อยออก การเลื่อยต่อในขณะที่มีชิ้นงานติดอยู่อาจทำให้เสียการควบคุมหรือทำให้เครื่องเลื่อยองศาเสียหายได้

18. หลังตัดเสร็จแล้ว ให้ปล่อยสวิตช์ กดหัวเลื่อยลง และรอนจนกระทั่งใบเลื่อยหยุดหมุนก่อนที่จะนำชิ้นส่วนที่ตัดแล้วออกมา การนำมือเข้าใกล้ใบเลื่อยที่กำลังหมุนเป็นอันตราย
 19. ให้จับมือจับให้แน่นเมื่อทำการตัดที่ยังไม่สมบูรณ์ หรือเมื่อปล่อยสวิตช์ก่อนที่หัวเลื่อยจะอยู่ในตำแหน่งลง การหยุดการทำงานของเลื่อยอาจทำให้หัวเลื่อยถูกดึงลงด้านล่างกะทันหันซึ่งมีความเสี่ยงที่จะทำให้ได้รับบาดเจ็บได้
 20. ใช้ใบเลื่อยที่มีเส้นผ่านศูนย์กลางตามที่ทำเครื่องหมายไว้บนเครื่องมือหรือระบุไว้ในคู่มือเท่านั้น การใช้ใบเลื่อยที่มีขนาดไม่ถูกต้องอาจส่งผลกระทบต่อการทำงานของใบเลื่อยอย่างเหมาะสมหรือการทำงานของอุปกรณ์ป้องกันซึ่งอาจส่งผลให้เกิดการบาดเจ็บร้ายแรง
 21. ใช้ใบเลื่อยที่มีความเร็วที่กำหนดบนใบเลื่อยเท่ากับหรือมากกว่าความเร็วที่กำหนดบนเครื่องมือเท่านั้น
 22. อย่าใช้เลื่อยเพื่อตัดสิ่งอื่น ๆ นอกจากไม้ อะลูมิเนียมหรือวัสดุที่มีลักษณะเดียวกัน
 23. (สำหรับประเทศในยุโรปเท่านั้น)
ใช้ใบเลื่อยที่สอดคล้องตามมาตรฐาน EN847-1 เสมอ
- คำแนะนำเพิ่มเติม
1. ล็อคกุญแจห้องปฏิบัติงานเพื่อกันเด็กเข้า
 2. อย่ายืนบนเครื่องมือเด็ดขาด หากเครื่องมือล้มลงหรือสัมผัสกับเครื่องมือตัดโดยไม่ตั้งใจอาจทำให้ได้รับบาดเจ็บสาหัสได้
 3. อย่าปล่อยให้เครื่องมือทำงานโดยไม่มีผู้ดูแลเด็ดขาด ปิดเครื่อง อย่าปล่อยเครื่องมือทิ้งไว้จนกว่าเครื่องมือจะหยุดทำงานสนิท
 4. อย่าใช้เลื่อยโดยที่ป้องกันไม่อยู่กับที่ ตรวจสอบให้ที่ป้องกันใบเลื่อยปิดอยู่ในตำแหน่งที่เหมาะสมก่อนการใช้งานทุกครั้ง อย่าใช้งานเลื่อยหากที่ป้องกันใบเลื่อยไม่สามารถเคลื่อนที่ได้โดยอิสระและปิดในทันที อย่าหนีบหรือผูกที่ป้องกันใบเลื่อยไว้ในตำแหน่งเปิดค้างไว้
 5. อย่าเอามือไปไว้ในแนวใบเลื่อย ระวังอย่าสัมผัสใบเลื่อยที่กำลังหมุนอยู่ เนื่องจากอาจทำให้ได้รับบาดเจ็บสาหัสได้
 6. เพื่อลดความเสี่ยงจากการบาดเจ็บ ให้นำโครงยกกลับไปที่ตำแหน่งหลังสุดหลังการตัดแต่ละครั้ง
 7. ยึดส่วนที่เคลื่อนที่ได้ทั้งหมดก่อนยกเครื่องมือ
 8. เชื่อมสตัดเปอร์ซึ่งเป็นตัวล็อคหัวตัด ใช้สำหรับกรวยและการเก็บเท่านั้น ห้ามใช้ในการตัดใดๆ
 9. ตรวจสอบใบเลื่อยอย่างละเอียดเพื่อหารอยแตกหรือความเสียหายก่อนที่จะใช้งาน เปลี่ยนใบเลื่อยที่ร้าวหรือเสียหายทันที อย่าไม้เหนียวและยางที่แข็งตัวอยู่บนใบเลื่อยจะทำให้เลื่อยหมุนช้าลงและเพิ่มโอกาสในการติดกลับ รักษาความสะอาดของใบเลื่อยโดยเริ่มจากถอดใบเลื่อยออกจากเครื่องมือ แล้วทำความสะอาดด้วยน้ำยาทำความสะอาดยางไม้ น้ำมัน หรือน้ำมันก๊าด ห้ามใช้น้ำมันเชื้อเพลิงในการทำความสะอาดใบเลื่อยเด็ดขาด
 10. ในขณะที่ทำการตัดแบบเฉียง อาจเกิดการติดกลับ การติดกลับจะเกิดขึ้นเมื่อใบเลื่อยติดอยู่กับชิ้นงานระหว่างทำการตัด ใบเลื่อยจะถูกขับเคลื่อนพุ่งเข้าหาผู้ปฏิบัติงานอย่างรวดเร็ว ซึ่งอาจทำให้สูญเสียการควบคุมและได้รับบาดเจ็บสาหัสได้ หากใบเลื่อยติดระหว่างทำการตัด อย่าพยายามตัดต่อและให้ปล่อยสวิตช์ทันที
 11. ใช้แต่แกนสำหรับเครื่องมือนี้เท่านั้น
 12. ระวังอย่าให้เหล่าเลื่อย หน้าแปลน (โดยเฉพาะอย่างยิ่งการติดตั้ง) หรือสลักเกลียวเสียหาย หากส่วนต่างๆ เหล่านี้เสียหายอาจเป็นสาเหตุให้ใบเลื่อยเสียหายได้
 13. ตรวจสอบให้แน่ใจว่าได้ยึดฐานหมุนอย่างแน่นหนา เพื่อให้ไม่เคลื่อนที่ในระหว่างการทำงาน ใช้ฐานเครื่องมือเพื่อยึดเลื่อยกับแท่นทำงานหรือผนังที่มีผนังห้ามใช้เครื่องมือโดยที่ผู้ปฏิบัติงานอยู่ในตำแหน่งที่ทำงานไม่ถนัด
 14. ตรวจสอบให้แน่ใจว่าได้ปล่อยลอคก้านก่อนที่จะเปิดสวิตช์
 15. โปรดตรวจสอบให้แน่ใจว่าใบเลื่อยไม่สัมผัสกับฐานหมุนในจุดที่ต่ำที่สุด
 16. จับมือจับให้แน่น โปรดระมัดระวังเนื่องจากใบเลื่อยจะเคลื่อนขึ้นหรือลงเล็กน้อยในระหว่างที่เริ่มและหยุดทำงาน
 17. ตรวจสอบให้แน่ใจว่าใบเลื่อยนั้นไม่ได้สัมผัสกับชิ้นงานก่อนที่จะเปิดสวิตช์
 18. ก่อนที่จะใช้เครื่องมือบนชิ้นงานจริง ปล่อยให้เครื่องมือทำงานเปล่าๆ สักครู่ ดูการสั่นสะเทือนหรือการคลอนแคลนที่อาจแสดงถึงการใส่และการให้สมดุลใบเลื่อยที่ไม่ดีพอ
 19. หยุดทำงานทันทีหากคุณพบว่ามีส่วนผิดปกติ
 20. อย่าพยายามลอคสวิตช์สั่งงานให้อยู่ในตำแหน่ง “เปิด”
 21. ใช้แต่อุปกรณ์เสริมที่แนะนำในคู่มือการใช้งานนี้เท่านั้น การใช้อุปกรณ์เสริมที่ไม่เหมาะสม เช่น วงล้อแบบขัด อาจทำให้ได้รับบาดเจ็บได้

22. วัสดุบางอย่างอาจมีสารเคมีที่เป็นพิษ ระวังอย่าสูดดมฝุ่นหรือสัมผัสกับผิวหนัง ปฏิบัติตามข้อมูลด้านความปลอดภัยของผู้ผลิตวัสดุ

กฎเพิ่มเติมด้านความปลอดภัยสำหรับเลเซอร์

1. ระวังเลเซอร์ อย่าจ้องลำแสงหรือมองไปที่ลำแสงโดยตรงโดยใช้เครื่องมือสำหรับส่อง ผลัดกันที่เลเซอร์ระดับ 2M

คำเตือน: อย่าให้ความไม่ระมัดระวังหรือความคุ้นเคยกับผลิตภัณฑ์ (จากการใช้งานซ้ำหลายครั้ง) อยู่เหนือการปฏิบัติตามกฎเกณฑ์ด้านความปลอดภัยในการใช้งานผลิตภัณฑ์อย่างเคร่งครัด การใช้งานอย่างไม่เหมาะสมหรือการไม่ปฏิบัติตามกฎเกณฑ์ด้านความปลอดภัยในคู่มือการใช้งานนี้อาจทำให้ได้รับบาดเจ็บร้ายแรง

ปฏิบัติตามคำแนะนำเหล่านี้

คำอธิบายชิ้นส่วนต่างๆ

► หมายเลข 2

1	เสาสไลด์	2	เข็มสตีปเปอร์ (สำหรับการสไลด์เพื่อยก)	3	ตัวหนีบแนวตั้ง	4	ปุ่มปล่อย (สำหรับองศามุมเอียงด้านขวา)
5	ที่ยึด	6	ฐานหมุน	7	ตัวชี้ (สำหรับองศามุมบวก)	8	สเกลองศามุมบวก
9	แผ่นรองตัด	10	กรอบใบเลื่อย	11	สกรูปรับ (สำหรับแนวเลเซอร์)	12	สกรูปรับระยะ (สำหรับแนวเลเซอร์)
13	ที่ป้องกันใบเลื่อย	14	ปุ่มหมุน (สำหรับองศามุมเอียง)	15	ประแจหกเหลี่ยม	16	สกรูปรับ (สำหรับตำแหน่งจำกัดด้านล่าง)
17	สลักเกลียวปรับ (สำหรับความสามารถการตัดสูงสุด)	18	แขนสตีปเปอร์	19	ก้านล็อก (สำหรับฐานหมุน)	20	ก้านปล่อย (สำหรับฐานหมุน)
21	ด้ามจับ (สำหรับฐานหมุน)	-	-	-	-	-	-

► หมายเลข 3

1	สวิตช์สั่งงาน	2	ปุ่มล็อก	3	รูสำหรับก๊วยแฉสายยู	4	สวิตช์ (สำหรับแนวเลเซอร์)
5	ท่อดูด (สำหรับดูดฝุ่น)	6	เข็มสตีปเปอร์ (สำหรับการยกโครงยก)	7	ฉากนำ (ฉากกันด้านล่าง)	8	ฉากนำ (ฉากกันด้านบน)
9	ถุงดักฝุ่น	10	สลักเกลียวปรับ 0° (สำหรับองศามุมเอียง)	11	สเกลองศามุมเอียง	12	ก้านปล่อย (สำหรับองศามุมเอียง 48°)
13	ก้านตัวล็อก (สำหรับองศามุมเอียง)	14	ตัวชี้ (สำหรับองศามุมเอียง)	15	สลักเกลียวปรับ 45° (สำหรับองศามุมเอียง)	-	-

การติดตั้ง

การติดตั้งด้ามจับ

ขั้นก่อนเกลียวของด้ามจับเข้ากับฐานหมุน

- **หมายเลข 4:** 1. ด้ามจับ 2. ฐานหมุน

ติดตั้งท่อดูดฝุ่น

เชื่อมต่อท่อดูดฝุ่นเข้ากับเครื่องมือตามภาพ ตรวจสอบให้แน่ใจว่าช่องอและปลอกสวมเข้ากับช่องต่อของเครื่องมือได้พอดี

- **หมายเลข 5:** 1. ท่อดูดฝุ่น 2. ช่องอ 3. ปลอก 4. ช่องต่อ

การถอดข้อต่อออกจากช่องต่อ ให้ดึงข้อต่อออกโดยกดปุ่มล๊อคลง

- **หมายเลข 6:** 1. ปุ่มล๊อค 2. ช่องอ

การยึดกับโต๊ะทำงาน

เมื่อเครื่องมือถูกจัดตั้ง มือจับจะล๊อคอยู่ในตำแหน่งต่ำด้วยเข็มสตัดเปอร์ ในขณะที่ค้อยูๆ ลดระดับมือจับลงนั้น ให้ดึงเข็มสตัดเปอร์และหมุน 90°

- **หมายเลข 7:** 1. ตำแหน่งล๊อค 2. ตำแหน่งปลดล๊อค 3. เข็มสตัดเปอร์

เครื่องมือนี้ควรใช้สลักเกลียว 4 ตัวยึดไว้กับพื้นผิวที่เรียบเสมอกันและมั่นคง โดยใช้รูสลักเกลียวที่ให้มาในฐานของเครื่องมือ ซึ่งจะช่วยให้ป้องกันไม่ให้เกิดการกระดกและการบาดเจ็บได้

- **หมายเลข 8:** 1. สลักเกลียว

คำเตือน: ตรวจสอบให้แน่ใจว่าเครื่องมือจะไม่ขยับเขยื้อนบนพื้นผิวรองรับ การเคลื่อนที่ของเครื่องมือโดยองศาบนพื้นผิวรองรับระหว่างทำการตัดอาจทำให้สูญเสียการควบคุมและได้รับบาดเจ็บสาหัสได้

คำอธิบายการทำงาน

คำเตือน: ตรวจสอบให้แน่ใจว่าได้ปิดสวิทช์เครื่องมือและถอดปลั๊กออกก่อนการปรับตั้งหรือตรวจสอบการทำงานของเครื่องมือเสมอ การไม่ปิดเครื่องมือและถอดปลั๊กออกทำให้ได้รับบาดเจ็บเนื่องจากการเริ่มทำงานโดยไม่ตั้งใจได้

ที่ป้องกันใบเลื่อย

- **หมายเลข 9:** 1. ที่ป้องกันใบเลื่อย

เมื่อลดมือจับลง ที่ป้องกันใบเลื่อยจะยกขึ้นโดยอัตโนมัติ ที่ป้องกันใบเลื่อยจะมีสปริง ดึงนั้นขึ้นส่วนดังกล่าวจะกลับสู่ตำแหน่งเดิมเมื่อการตัดเสร็จสิ้นและยกมือจับขึ้น

คำเตือน: อย่าทำลายหรือถอดที่ป้องกันใบเลื่อยหรือสปริงที่ติดอยู่กับที่ป้องกัน ใบเลื่อยที่เปิดออกเนื่องจากที่ป้องกันถูกทำลายอาจส่งผลให้ได้รับบาดเจ็บสาหัสระหว่างการทำงานได้

เพื่อความปลอดภัยของตัวเอง คุณเอง โปรดรักษาที่ป้องกันใบเลื่อยให้อยู่ในสภาพดีเสมอ เมื่อมีความผิดปกติในการทำงานของที่ป้องกันใบเลื่อยให้แก้ไขในทันที ตรวจสอบให้แน่ใจว่าสปริงสามารถดึงที่ป้องกันกลับได้

คำเตือน: อย่าใช้เครื่องมือหากที่ป้องกันใบเลื่อยหรือสปริงเสียหาย มีตำหนิ หรือถูกถอดออก การใช้งานเครื่องมือที่มีที่ป้องกันที่เสียหาย มีตำหนิ หรือถูกถอดออกอาจส่งผลให้ได้รับบาดเจ็บสาหัสได้

หากที่ป้องกันใบเลื่อยแบบไสสกปรก หรือมีฝุ่นเลื้อยติดอยู่จนไม่สามารถมองเห็นใบเลื่อยได้อย่างชัดเจน ให้ถอดปลั๊กใบเลื่อยแล้วใช้ผ้าชุบน้ำหมาดๆ เช็ดที่ป้องกันใบเลื่อยอย่าใช้ตัวทำลายหรือน้ำยาทำความสะอาดที่มีส่วนผสมของปิโตรเลียมกับที่ป้องกันพลาสติกเนื่องจากอาจทำให้ที่ป้องกันเสียหายได้

ถ้าที่ป้องกันใบเลื่อยสกปรกมากและไม่สามารถมองเห็นที่ป้องกันได้อย่างชัดเจน ให้ใช้ประแจที่หามาเพื่อคลายสลักเกลียวหกเหลี่ยมที่ยึดฝาครอบตรงกลาง คลายสลักเกลียวหกเหลี่ยมโดยหมุนทวนเข็มนาฬิกาและยกที่ป้องกันใบเลื่อยและฝาครอบตรงกลางขึ้น ในขณะที่ที่ป้องกันใบเลื่อยอยู่ในตำแหน่งดังกล่าว จะสามารถทำความสะอาดได้อย่างมีประสิทธิภาพและทั่วถึงกว่า เมื่อทำความสะอาดเสร็จแล้ว ให้ดำเนินการตามด้านบนแบบย้อนกลับแล้วยึดด้วยสลักเกลียว อย่าถอดสปริงที่ยึดที่ป้องกันใบเลื่อยไว้ หากที่ป้องกันมีสีจางลงเนื่องจากอายุการใช้งานหรือถูกแสง UV โปรตติดต่อศูนย์บริการของ Makita เพื่อเปลี่ยนที่ป้องกันใหม่ อย่าทำลายหรือถอดที่ป้องกัน

- **หมายเลข 10:** 1. ฝาครอบตรงกลาง 2. ประแจหกเหลี่ยม 3. ที่ป้องกันใบเลื่อย

แผ่นร่องตัด

เครื่องมือนี้ใช้แผ่นร่องตัดในฐานหมุนเพื่อลดการสึกขาดในด้านนอกของการตัด แผ่นร่องตัดชนิดนี้มีการปรับค่ามาจากโรงงานซึ่งใบเลื่อยจะไม่สัมผัสกับแผ่นร่องตัด ก่อนใช้ ให้ปรับแผ่นร่องตัดดังนี้:

- ▶ **หมายเลข 11:** 1. แผ่นร่องตัด
- ▶ **หมายเลข 12:** 1. การตัดมุมเอียงซ้าย 2. การตัดตรง 3. การตัดมุมเอียงขวา 4. ใบเลื่อย 5. ฟันเลื่อย 6. แผ่นร่องตัด

ขั้นตอนแรก ให้ถอดปลั๊กเครื่องมือก่อน คลายสกรูทั้งหมด (ด้านละ 2 ตัวทั้งซ้ายและขวา) ที่ยึดแผ่นร่องตัด จนกระทั่งสามารถถอดแผ่นร่องตัดออกได้ง่าย ด้วยมือ ลดมือจับลงจนสุดและดึงเข็มสตัดต่อเปอร์เพื่อล็อกมือจับให้อยู่ในตำแหน่งต่ำ ปล่อยเข็มสตัดต่อเปอร์บนเสาโลดและดึงโครงยกมาทางคุณจนสุด ปรับแผ่นร่องตัดเพื่อให้แผ่นร่องตัดสัมผัสกับด้านข้างของฟันเลื่อย ชันสกรูหน้า (อย่าขันจนแน่น) ดันโครงยกเข้าหาฉากนำจนสุดและปรับแผ่นร่องตัดเพื่อให้แผ่นร่องตัดสัมผัสกับด้านข้างของฟันเลื่อย ชันสกรูหลัง (อย่าขันจนแน่น)

หลังจากปรับแผ่นร่องตัด ให้ปล่อยเข็มสตัดต่อเปอร์และยกมือจับขึ้น แล้วขันสกรูทั้งหมดให้แน่น

ข้อสังเกต: หลังจากตั้งค่างองศามุมเอียง ตรวจสอบให้แน่ใจว่าแผ่นร่องตัดถูกปรับให้เหมาะสมแล้ว การปรับแผ่นร่องตัดที่ถูกต้องช่วยให้มีการรองรับชิ้นงานที่เหมาะสมและลดการสึกขาดออกของชิ้นงาน

การรักษาความสามารถการตัดสูงสุด

เครื่องมือชนิดนี้มีการปรับค่ามาจากโรงงานเพื่อให้มีความสามารถการตัดสูงสุดสำหรับใบเลื่อย 255 mm หรือ 260 mm

เมื่อติดตั้งใบเลื่อยใหม่ ให้ตรวจสอบตำแหน่งจำกัดด้านล่างของใบเลื่อยและหากจำเป็น ให้ปรับโดยใช้วิธีการดังต่อไปนี้:

ขั้นตอนแรก ให้ถอดปลั๊กเครื่องมือก่อน ปรับก้านสตัดต่อเปอร์ไปยังตำแหน่งที่กำหนด

- ▶ **หมายเลข 13:** 1. ก้านสตัดต่อเปอร์

แล้วดันโครงยกเข้าหาฉากนำจนสุดและลดมือจับลงจนสุด ปรับตำแหน่งของใบเลื่อยโดยการหมุนสลักเกลียวปรับด้วยประแจหกเหลี่ยม ส่วนขอบของใบเลื่อยควรวี้นออกมาเกินพื้นผิวด้านบนของฐานหมุนเล็กน้อย และให้ถึงจุดที่ด้านบนของฉากนำประกบกับพื้นผิวด้านบนของฐานหมุน

- ▶ **หมายเลข 14:** 1. สลักเกลียวปรับ

- ▶ **หมายเลข 15:** 1. พื้นผิวด้านบนของฐานหมุน 2. เส้นรอบวงของใบเลื่อย 3. ฉากนำ

เมื่อถอดเครื่องมือ ให้ใช้มือหมุนใบเลื่อยในระหว่างที่จับมือจับลงเพื่อให้แน่ใจว่าใบเลื่อยไม่สัมผัสกับส่วนใด ๆ ของฐานด้านล่าง หากจำเป็นให้ปรับใหม่เล็กน้อย หลังจากปรับแล้ว ให้หมุนก้านสตัดต่อเปอร์กลับไปตำแหน่งเดิม

คำเตือน: หลังจากติดตั้งใบเลื่อยใหม่และถอดปลั๊กเครื่องมือแล้ว ตรวจสอบให้แน่ใจว่าใบเลื่อยไม่สัมผัสกับส่วนใด ๆ ของฐานด้านล่างเมื่อลดมือจับลงจนสุด หากใบเลื่อยสัมผัสกับฐาน อาจทำให้ชิ้นงานตีกลับและทำให้ได้รับบาดเจ็บสาหัส

แกนสตัดต่อเปอร์

ตำแหน่งจำกัดด้านล่างของใบเลื่อยสามารถปรับได้ง่ายๆ ด้วยแกนสตัดต่อเปอร์ วิธีปรับ ให้ขยับแกนสตัดต่อเปอร์ในทิศทางตามลูกศรที่แสดงในภาพ หมุนสกรูปรับเพื่อให้ใบเลื่อยหยุดที่ตำแหน่งที่ต้องการเมื่อลดมือจับลงจนสุด

- ▶ **หมายเลข 16:** 1. แกนสตัดต่อเปอร์ 2. สกรูปรับ

การปรับองศาการบิด

คำเตือน: หลังจากเปลี่ยนมุมมากแล้ว ให้ยึดฐานหมุนโดยการขันด้ามจับให้แน่น

ข้อสังเกต: เมื่อหมุนฐานหมุน โปรดตรวจสอบให้แน่ใจว่าได้ยกด้ามจับจนสุด

- ▶ **หมายเลข 17:** 1. ก้านล็อก 2. ด้ามจับ 3. ก้านปล่อย 4. ตัวชี้

หมุนด้ามจับทวนเข็มนาฬิกาเพื่อปลดล็อกฐานหมุน หมุนด้ามจับขณะที่กดก้านล็อกค้างไว้เพื่อขยับฐานหมุน จัดตำแหน่งตัวชี้ให้อยู่ในองศามุมบนสเกลที่คุณต้องการ จากนั้นให้ขันด้ามจับให้แน่น

หมายเหตุ: ถ้าคุณกดก้านปล่อยลง คุณสามารถเลื่อนฐานหมุนได้โดยไม่ต้องกดก้านล็อกค้างไว้ ขันด้ามจับให้แน่นตามตำแหน่งที่คุณต้องการ

แทนเลื่อยตัดวงคันที่มีฟังก์ชันหยุดตามตำแหน่ง คุณสามารถตั้งค่าองศาตามมุมฉากซ้าย/ขวาที่ 0°, 15°, 22.5°, 31.6°, 45°, และ 60° ได้อย่างรวดเร็ว วิธีใช้ฟังก์ชันนี้ให้เลื่อนฐานหมุนเข้ามาใกล้กับมุมหยุดตามตำแหน่งที่คุณต้องการในขณะที่กดก้านล๊อคค้างไว้ จากนั้นให้ปล่อยก้านล๊อค แล้วเลื่อนฐานหมุนไปยังมุมหยุดตามตำแหน่งที่คุณต้องการจนกระทั่งฐานหมุนล๊อค

การปรับมุมเอียง

ข้อสังเกต: นำฉากนำด้านบนและตัวหนีบแนวตั้งออกก่อนปรับองศาตามมุมเอียงเสมอ

ข้อสังเกต: เมื่อเปลี่ยนองศาตามมุมเอียง โปรดตรวจสอบให้แน่ใจว่าไดวางตำแหน่งแผ่นรองตัดอย่างเหมาะสมตั้งที่ได้อธิบายในส่วน “แผ่นรองตัด”

ข้อสังเกต: เมื่อเอียงใบเลื่อย โปรดตรวจสอบให้แน่ใจว่าได้ยกมือจับจนสุดแล้ว

ข้อสังเกต: อย่าหมุนปุ่มหมุนปรับแรงจนเกินไปเนื่องจากอาจทำให้กลไกการล๊อคของส้ามุมเอียงทำงานผิดปกติได้

1. หมุนปุ่มหมุนบนเสาเล็ดทวนเข็มนาฬิกา
▶ **หมายเลข 18:** 1. ปุ่มหมุน
2. ดึงและหมุนก้านตัวล๊อคไปยังตำแหน่งตามภาพ
▶ **หมายเลข 19:** 1. ก้านตัวล๊อค
3. จัดตำแหน่งตัวชี้ให้อยู่ในองศาตามบนสเกลที่คุณต้องการ จากนั้นขันปุ่มหมุนให้แน่น
▶ **หมายเลข 20:** 1. สเกลองศาตามมุมเอียง 2. ตัวชี้

วิธีเอียงโครงยกไปทางขวา ให้เอียงโครงยกไปทางซ้ายเล็กน้อย จากนั้นค่อยเอียงไปทางขวาโดยกดปุ่มปล่อยค้างไว้

- ▶ **หมายเลข 21:** 1. ปุ่มปล่อย

เมื่อคุณตัดมุมเอียงที่มากกว่า 45° ให้เลื่อนตัวยกในขณะที่เลื่อนก้านปล่อยไปทางด้านด้านของเครื่องมือ คุณสามารถตัดมุมเอียงได้สูงสุด 48°

- ▶ **หมายเลข 22:** 1. ก้านปล่อย

เครื่องเลื่อยของคันนี้มีฟังก์ชันหยุดตามตำแหน่ง คุณสามารถตั้งองศาตามมุม 22.5° และ 33.9° ได้อย่างรวดเร็วทั้งด้านซ้ายและขวา ตั้งก้านตัวล๊อคตามตำแหน่งตามภาพแล้วเอียงโครงยก วิธีเปลี่ยนองศาตามมุม ให้ตั้งก้านตัวล๊อคและเอียงโครงยก

- ▶ **หมายเลข 23:** 1. ก้านตัวล๊อค

⚠ ข้อควรระวัง: หลังจากเปลี่ยนองศาตามมุมเอียงแล้ว ให้ยึดปุ่มหมุนให้แน่นเสมอ

การล๊อคการสไลด์

วิธีล๊อคการสไลด์ของโครงยก ให้ดันโครงยกไปทางฉากนำจนกว่าจะหยุด ดึงเข็มสตอปเปอร์และหมุน 90°.

- ▶ **หมายเลข 24:** 1. ตำแหน่งปลดล๊อค 2. ตำแหน่งล๊อค 3. เข็มสตอปเปอร์

การทำงานของสวิตซ์

⚠ คำเตือน: ก่อนเสียบปลั๊กเครื่องมือ ให้ตรวจสอบว่าสวิตซ์สั่งงานสามารถทำงานได้อย่างถูกต้อง และกลับไปยังตำแหน่ง “ปิด” เมื่อปล่อย อย่าดึงสวิตซ์สั่งงานแรงๆ โดยไม่ได้กดปุ่มล๊อค การทำเช่นนี้อาจทำให้สวิตซ์เสียหายได้ การใช้งานเครื่องมือด้วยสวิตซ์ที่ทำงานอย่างไม่ถูกต้องอาจทำให้สูญเสียการควบคุมและทำให้ได้รับบาดเจ็บสาหัสได้

⚠ คำเตือน: ห้ามใช้เครื่องมือโดยไม่มีสวิตซ์ที่สามารถใช้งานได้ เครื่องมือใดๆ ที่มีสวิตซ์ที่ไม่สามารถใช้งานได้เป็นอันตรายอย่างมากและต้องทำการซ่อมแซมก่อนใช้งานต่อหรืออาจเกิดการบาดเจ็บร้ายแรง

⚠ คำเตือน: ห้ามทำลายปุ่มปลดล๊อคโดยใช้เทปพันหรือวิธีอื่น สวิตซ์ที่ปุ่มปลดล๊อคใช้ไม่ได้ อาจทำให้เกิดการใช้งานโดยไม่ตั้งใจและทำให้เกิดการบาดเจ็บร้ายแรงได้

⚠ คำเตือน: ห้ามใช้เครื่องมือหากเครื่องมือสามารถทำงานได้เมื่อคุณดึงสวิตซ์สั่งงานโดยไม่ได้กดปุ่มปลดล๊อค สวิตซ์ที่ต้องทำการซ่อมแซมอาจทำให้เกิดการใช้งานโดยไม่ตั้งใจและทำให้เกิดการบาดเจ็บร้ายแรงได้ นำเครื่องมือส่งศูนย์บริการ Makita เพื่อการซ่อมแซมก่อนการใช้งาน

- ▶ **หมายเลข 25:** 1. สวิตซ์สั่งงาน 2. ปุ่มล๊อค 3. รูสำหรับกุญแจสายยู

เพื่อป้องกันไม่ให้อุปกรณ์สั่งงานถูกดึงโดยไม่ตั้งใจจึงมีปุ่มล๊อคติดตั้งไว้ วิธีเริ่มใช้งานเครื่องมือ ให้กดปุ่มล๊อคแล้วดึงสวิตซ์สั่งงาน ปล่อยสวิตซ์สั่งงานเพื่อหยุดการทำงาน สวิตซ์สั่งงานมีรูเพื่อใส่กุญแจสายยูเพื่อล๊อคเครื่องมือ

⚠ คำเตือน: อย่าใช้ล๊อคที่มีก้านหรือสายเคเบิลที่มีเส้นผ่านศูนย์กลางเล็กกว่า 6.35 mm (1/4") ก้านหรือสายเคเบิลที่เล็กกว่าอาจไม่ล๊อคเครื่องมือในตำแหน่งปิด และอาจเกิดการเปิดใช้งานโดยไม่ตั้งใจและทำให้ได้รับบาดเจ็บสาหัสได้

ฟังก์ชันอิเล็กทรอนิกส์

ระบบควบคุมความเร็วคงที่

เครื่องมือมีระบบควบคุมความเร็วอิเล็กทรอนิกส์ซึ่งจะช่วยคงความเร็วการหมุนของใบเลื่อยให้คงที่แม้จะทำงานอยู่ ความเร็วการหมุนของใบเลื่อยที่คงที่จะทำให้ตัดได้อย่างราบเรียบ

คุณสมบัติซอฟต์แวร์

ฟังก์ชันนี้จะทำให้เครื่องมือเริ่มทำงานได้อย่างราบเรียบโดยการจำกัดแรงบิดในการเริ่มทำงาน

การทำงานของลำแสงเลเซอร์

สำหรับรุ่น LS1019L เท่านั้น

⚠ ข้อควรระวัง: ห้ามมองลำแสงเลเซอร์เด็ดขาด ลำแสงเลเซอร์อาจทำให้ดวงตาคุณบาดเจ็บ

วิธีการเปิดลำแสงเลเซอร์ ให้กดสวิทช์ไปที่ตำแหน่ง (I) ที่อยู่ด้านบน วิธีการปิดลำแสงเลเซอร์ ให้กดสวิทช์ไปที่ตำแหน่ง (O) ที่อยู่ด้านล่าง

► **หมายเลข 26:** 1. สวิทช์สำหรับเลเซอร์

สามารถปรับเปลี่ยนแนวเลเซอร์ได้ทั้งด้านซ้ายและขวาของใบเลื่อยโดยการหมุนสกรูปรับดังนี้

► **หมายเลข 27:** 1. สกรูปรับ

1. คลายสกรูปรับโดยหมุนทวนเข็มนาฬิกา
2. เมื่อคลายสกรูปรับแล้ว ให้เลื่อนสกรูปรับไปทางด้านซ้ายหรือขวาเท่าที่จะปรับได้
3. ขันสกรูปรับให้แน่นที่ตำแหน่งที่สกรูหยุดสไลด์

หมายเหตุ: แนวเลเซอร์ถูกปรับมาจากโรงงาน ซึ่งจะถูกกำหนดตำแหน่งภายในระยะ 1 mm จากพื้นผิวด้านข้างของใบเลื่อย (ตำแหน่งตัด)

หมายเหตุ: เมื่อแนวเลเซอร์จางและมองเห็นได้ยาก เนื่องจากแสงอาทิตย์ ให้ย้ายที่ทำงานใหม่ไปยังบริเวณที่ได้รับแสงอาทิตย์น้อยลง

การจัดตำแหน่งของแนวเลเซอร์

จัดแนวการตัดที่ชิ้นงานให้ตรงกับแนวเลเซอร์

► **หมายเลข 28**

- A) เมื่อคุณต้องการให้ชิ้นงานทางด้านซ้ายได้ขนาดที่ถูกต้อง ให้เปลี่ยนแนวเลเซอร์ไปยังด้านซ้ายของใบเลื่อย
- B) เมื่อคุณต้องการให้ชิ้นงานทางด้านขวาได้ขนาดที่ถูกต้อง ให้เปลี่ยนแนวเลเซอร์ไปยังด้านขวาของใบเลื่อย

หมายเหตุ: ให้ไม้หันหน้าไปทางฉากนำเมื่อจัดตำแหน่งของแนวตัดให้ตรงกับแนวเลเซอร์ที่ด้านของฉากนำในการตัดแบบผสม (องศามุมเอียง 45° และองศามุมฉากทางขวา 45°)

การประกอบ

⚠ คำเตือน: ตรวจสอบให้แน่ใจว่าเครื่องมือปิดสวิตช์อยู่ และถอดปลั๊กก่อนดำเนินการใดๆ กับเครื่องมือเสมอ การไม่ปิดเครื่องมือและถอดปลั๊กเครื่องมือออกอาจทำให้ได้รับบาดเจ็บสาหัสได้

การเก็บประแจหกเหลี่ยม

เมื่อไม่ใช้งาน ให้เก็บประแจหกเหลี่ยมตามที่แสดงในภาพเพื่อไม่ให้สูญหาย

► **หมายเลข 29:** 1. ประแจหกเหลี่ยม

การถอดหรือการติดตั้งใบเลื่อย

⚠ คำเตือน: ตรวจสอบให้แน่ใจว่าได้ปิดสวิตช์เครื่องมือและถอดปลั๊กออก ก่อนทำการติดตั้งหรือถอดใบเลื่อย การที่เครื่องมือเริ่มทำงานโดยไม่ตั้งใจอาจทำให้ได้รับบาดเจ็บสาหัส

⚠ คำเตือน: ใช้เฉพาะประแจของ Makita ที่มีมาให้เพื่อถอดหรือใส่ใบเลื่อย หากไม่ทำตามอาจส่งผลให้ชิ้นสลักเกลียวหัวบ็อกซ์หกเหลี่ยมแน่นเกินไปหรือหลวมเกินไป

ล๊อคโครงยกที่ตำแหน่งที่ยกเสมอเมื่อถอดหรือติดตั้งใบเลื่อย ดึงเข็มสต๊อปเปอร์และหมุน 90° โดยที่โครงยกถูกยกอยู่

► **หมายเลข 30:** 1. ตำแหน่งปลดล๊อค 2. ตำแหน่งล๊อค 3. เข็มสต๊อปเปอร์

การถอดใบเลื่อย

คลายสลักเกลียวหกเหลี่ยมที่ยึดฝาครอบตรงกลางโดยใช้ประแจหกเหลี่ยม ยกที่ป้องกันใบเลื่อยและฝาครอบตรงกลางขึ้น

► **หมายเลข 31:** 1. ฝาครอบตรงกลาง 2. ประแจหกเหลี่ยม 3. ที่ป้องกันใบเลื่อย

กดลึกลับค้ำขึ้นเพื่อลึกลับค้ำแกนมุมนและใช้ประแจหกเหลี่ยมเพื่อคลายสลักเกลียวหัวบ็อกซ์หกเหลี่ยมตามเข็มนาฬิกา จากนั้นให้ถอดสลักเกลียวหัวบ็อกซ์หกเหลี่ยม แกนตัวนอก และใบเลื่อยออก

- **หมายเลข 32:** 1. ลึกลับค้ำ 2. ประแจหกเหลี่ยม 3. สลักเกลียวหัวบ็อกซ์หกเหลี่ยม (ด้านซ้าย) 4. คลาย 5. ชั้นแน้น

การติดตั้งใบเลื่อย

ติดตั้งใบเลื่อยเข้ากับแกนมุมนอย่างระมัดระวัง ตรวจสอบให้แน่ใจว่าทิศทางลูกศรของฟันผิวใบเลื่อยนั้นตรงกับทิศทางลูกศรบนกรอบใบเลื่อย

- **หมายเลข 33:** 1. ลูกศรบนกรอบใบเลื่อย 2. ลูกศรบนใบเลื่อย

ติดตั้งแกนตัวนอกและสลักเกลียวหัวบ็อกซ์หกเหลี่ยม ชั้นสลักเกลียวหัวบ็อกซ์หกเหลี่ยมทวนเข็มนาฬิกาโดยใช้ประแจหกเหลี่ยมขณะกดที่ลึกลับค้ำลง

- **หมายเลข 34:** 1. สลักเกลียวหัวบ็อกซ์หกเหลี่ยม 2. แกนตัวนอก 3. ใบเลื่อย 4. แกนตัวใน 5. แกนมุมน 6. แหวน

ข้อสังเกต: ถัดออกแกนตัวในออก ตรวจสอบให้แน่ใจว่าได้ติดตั้งลงบนแกนมุมนโดยให้ส่วนนูนหันหน้าเข้าหาใบเลื่อย ถัดติดตั้งแกนอย่างถูกต้อง แกนจะเสียดสีกับเครื่องจักร

เก็บที่ป้องกันใบเลื่อยและฝาครอบตรงกลางกลับสู่ตำแหน่งเดิม จากนั้นขันน็อตหัวบ็อกซ์หกเหลี่ยมตามเข็มนาฬิกาเพื่อยึดฝาครอบตรงกลาง ปลดลึกลับค้ำต่อเปอร์เพื่อปล่อยโครงยกจากตำแหน่งที่ถูกยก ลดมี้อจับลงเพื่อให้แน่ใจว่าที่ป้องกันใบเลื่อยด้านล่างนั้นเคลื่อนที่ได้อย่างเหมาะสม ตรวจสอบให้แน่ใจว่าลึกลับค้ำได้ปล่อยแกนมุมนแล้วก่อนทำการตัด

▲ **คำเตือน:** ก่อนการติดตั้งใบเลื่อยลงบนแกนมุมน ตรวจสอบให้แน่ใจว่าแหวนที่ถูกต้องสำหรับรูปเลขของใบเลื่อยซึ่งคุณตั้งใจจะใช้มันได้ถูกติดตั้งระหว่างแกนตัวในและแกนตัวนอกแล้ว การใช้แหวนรูเพลาเลื่อยที่ไม่ถูกต้องอาจทำให้ติดตั้งใบเลื่อยได้อย่างไม่ถูกต้อง เป็นเหตุให้ใบเลื่อยเคลื่อนที่และการสั่นสะเทือนอย่างรุนแรง ซึ่งอาจทำให้สูญเสียการควบคุมระหว่างการทำงานและทำให้ได้รับบาดเจ็บสาหัส

การต่อเครื่องดูดฝุ่น

หากต้องการทำความสะอาดงานตัด ให้ต่อเครื่องดูดฝุ่นของ Makita เข้ากับท่อตัดฝุ่นโดยใช้ข้อต่อด้านหน้าเบอร์ 24 (อุปกรณ์เสริม)

- **หมายเลข 35:** 1. ข้อต่อด้านหน้าเบอร์ 24 2. ท่อดูด 3. เครื่องดูดฝุ่น

ถุงดักฝุ่น

การใช้ถุงดักฝุ่นทำให้การทำงานตัดสะอาดและเก็บฝุ่นได้ง่าย การติดตั้งถุงดักฝุ่นให้ถอดท่อดูดฝุ่นออกจากเครื่องมือแล้วเชื่อมต่อถุงดักฝุ่น

- **หมายเลข 36:** 1. ท่อดูดฝุ่น 2. ถุงดักฝุ่น

เมื่อถุงดักฝุ่นเต็มถึงครึ่งถุงแล้ว ให้ถอดถุงดักฝุ่นออกจากเครื่องมือแล้วดึงสายรัดออก ที่งขยะในถุงดักฝุ่นออกให้หมด เคาะเบาๆ เพื่อให้เห็นขยะที่อาจติดค้างอยู่ในถุงหลุดออก ป้องกันไม่ให้เกิดการสะสมในครั้งต่อไป

- **หมายเลข 37:** 1. สายรัด

การยึดชิ้นงาน

▲ **คำเตือน:** การใช้ประเภทตัวหนีบแนวตั้งหรือสตอปเปอร์บีบผนังที่เหมาะสมในการยึดชิ้นงานให้แน่นเสมอเป็นสิ่งที่สำคัญมาก การไม่ปฏิบัติตามอาจทำให้เกิดการบาดเจ็บสาหัสและก่อให้เกิดความเสียหายต่อเครื่องมือและ/หรือชิ้นงาน

▲ **คำเตือน:** หลังตัดเสร็จแล้ว อย่าเพิ่งยกใบเลื่อยออกจนกว่าใบเลื่อยจะหยุดสนิท การยกใบเลื่อยที่กำลังหมุนอยู่อาจส่งผลให้ได้รับบาดเจ็บสาหัสและทำให้ชิ้นงานเสียหายได้

▲ **คำเตือน:** เมื่อทำการตัดชิ้นงานที่ยาวกว่าฐานรองรับของเลื่อย ให้รองรับความยาวทั้งหมดของวัสดุที่เลื่อยออกไปนอกฐานรองรับให้มีความสูงเท่ากัน เพื่อให้วัสดุอยู่ในระดับเดียวกัน ตัวรองชิ้นงานที่เหมาะสมจะช่วยให้ใบเลื่อยบีบแน่นและติดกลับซึ่งอาจทำให้ได้รับบาดเจ็บสาหัสได้ อย่าพึ่งตัวหนีบแนวตั้งและ/หรือตัวหนีบนอนเพียงอย่างเดียวในการยึดชิ้นงาน วัสดุที่บางอาจแอ่นลง รองรับชิ้นงานตลอดความยาวทั้งหมดเพื่อหลีกเลี่ยงไม่ให้ใบเลื่อยบีบแน่นและติดกลับ

- **หมายเลข 38:** 1. ตัวรอง 2. ฐานหมุน

ฉากกั้น

คำเตือน: ก่อนใช้งานเครื่องมือ ตรวจสอบให้แน่ใจ ฉากกั้นด้านบนอย่างแน่นหนาดีแล้ว

คำเตือน: ก่อนทำการตัดมุมเฉียง ตรวจสอบให้แน่ใจว่าไม่มีชิ้นส่วนของเครื่องมือ โดยเฉพาะใบเลื่อย สัมผัสกับฉากกั้นด้านบนและด้านล่างเมื่อลดและยกมือจับจนสุดในตำแหน่งใดๆ และในขณะที่เคลื่อนที่ไครงยกจนสุด หากเครื่องมือหรือใบเลื่อยสัมผัสกับฉากกั้นอาจทำให้เกิดการตีกลับหรือวัสดุเคลื่อนที่โดยไม่คาดคิดและทำให้ได้รับบาดเจ็บสาหัสได้

ใช้ฉากกั้นด้านบนเพื่อรองรับวัสดุที่สูงกว่าฉากกั้นด้านล่าง ใส่ฉากกั้นด้านบนเข้ากับรูบนฉากกั้นด้านล่างแล้วขันให้แน่นด้วยสกรูกันคลาย

- **หมายเลข 39:** 1. ฉากกั้นด้านบน 2. ฉากกั้นด้านล่าง 3. สกรูกันคลาย 4. สกรูปรับ

ข้อสังเกต: ฉากกั้นด้านล่างจะถูกยึดกับฐานมาจากโรงงาน อย่างนำฉากกั้นด้านล่างออก

ข้อสังเกต: ถ้าฉากกั้นด้านบนยังไม่แน่นหลังการขันสกรูกันคลายแล้ว ให้หมุนสกรูปรับเพื่อเปิดช่องว่าง สกรูปรับถูกปรับมาจากโรงงาน คุณไม่จำเป็นต้องใช้สกรูปรับถ้าไม่จำเป็น

คุณสามารถเก็บฉากกั้นด้านบนไว้บนที่ยึดเมื่อไม่ใช้ได้ ใช้คลิปบนฉากกั้นด้านบนยึดฉากกั้นกับที่ยึด

- **หมายเลข 40:** 1. ที่ยึด 2. ฉากกั้นด้านบน 3. คลิป

ตัวหนีบแนวตั้ง

คำเตือน: ต้องยึดชิ้นงานเข้ากับฐานหมุนและฉากนำให้แน่นด้วยตัวหนีบในระหว่างการทำงานทุกครั้ง ถ้ายึดชิ้นงานกับฉากกั้นอย่างไม่เหมาะสม วัสดุอาจเคลื่อนที่ระหว่างทำการตัดได้ซึ่งอาจสร้างความเสียหายต่อไปเรื่อยๆ ทำให้วัสดุถูกเหวี่ยงออกและสูญเสียการควบคุมซึ่งส่งผลให้ได้รับบาดเจ็บสาหัส

- **หมายเลข 41:** 1. แขนหนีบ 2. แท่งหนีบ 3. สกรูกันคลาย 4. ปุ่มหมุนตัวหนีบ

สามารถติดตั้งตัวหนีบแนวตั้งได้สองตำแหน่ง ซึ่งก็คือด้านซ้ายหรือด้านขวาของฐาน สอดแท่งหนีบเข้าไปในรูของฐาน จัดตำแหน่งแขนหนีบตามความหนาและรูปทรงของชิ้นงาน และยึดแขนหนีบโดยการขันสกรูให้แน่น หากสกรูกันคลายสัมผัสกับไครงยก ให้ติดตั้งสกรูกันคลายที่ด้านตรงข้ามของแขนหนีบ ตรวจสอบให้แน่ใจว่าไม่มีชิ้นส่วนของเครื่องมือสัมผัสกับตัวหนีบเมื่อลดมือจับจนสุด หากมีส่วนใดสัมผัสกับตัวหนีบ ให้เปลี่ยนตำแหน่งของตัวหนีบใหม่

กดชิ้นงานให้แนบกับฉากนำและฐานหมุน จัดตำแหน่งของชิ้นงานที่ตำแหน่งการตัดที่ต้องการและยึดให้แน่นโดยขันปุ่มหมุนตัวหนีบให้แน่น

หมายเหตุ: สำหรับการติดตั้งชิ้นงานแบบเร็วขึ้น ให้หมุนปุ่มหมุนตัวหนีบทวนเข็มนาฬิกาไป 90° จะทำให้ปุ่มหมุนตัวหนีบเลื่อนขึ้นลงได้ วิธีการยึดชิ้นงานหลังการติดตั้ง ให้หมุนปุ่มหมุนตัวหนีบตามเข็มนาฬิกา

ตัวหนีบแนวนอน

อุปกรณ์เสริม

คำเตือน: หมุนน็อตตัวหนีบตามเข็มนาฬิกาจนกระทั่งชิ้นงานถูกยึดอย่างเหมาะสม หากชิ้นงานไม่ถูกยึดไว้อย่างเหมาะสม วัสดุอาจเคลื่อนที่ในระหว่างทำการตัด ซึ่งอาจทำให้ใบเลื่อยเสียหาย ส่งผลให้วัสดุกระเด็นออกและสูญเสียการควบคุม ซึ่งเป็นสาเหตุให้ได้รับบาดเจ็บสาหัสได้

คำเตือน: เมื่อติดตั้งชิ้นงานที่มีขนาดบาง เช่น แผ่นรองฐาน ให้ใช้ตัวหนีบแนวนอนยึดกับฉากเสมอ

ข้อควรระวัง: เมื่อติดตั้งชิ้นงานที่มีความหนาไม่เกิน 20 mm ตรวจสอบให้แน่ใจว่าได้ขันล็อกตัวรองในการยึดชิ้นงานแล้ว

สามารถติดตั้งตัวหนีบแนวนอนได้สองตำแหน่ง ซึ่งก็คือด้านซ้ายหรือด้านขวาของฐาน เมื่อทำการตัดองศามุมมากที่มากกว่า 22.5° ให้ติดตั้งตัวหนีบแนวนอนบนทิศทางตรงข้ามที่ฐานหมุนจะหมุน

- **หมายเลข 42:** 1. แผ่นจับงาน 2. น็อตตัวหนีบ 3. ปุ่มหมุนตัวหนีบ

เพียงแคพลิกน็อตตัวหนีบทวนเข็มนาฬิกา ตัวหนีบก็จะคลาย และสามารถเคลื่อนเข้าและออกได้อย่างรวดเร็ว เมื่อต้องการจับชิ้นงาน ให้ดันปุ่มหมุนตัวหนีบไปด้านหน้าจนกระทั่งแผ่นจับงานสัมผัสกับชิ้นงานและพลิกน็อตตัวหนีบตามเข็มนาฬิกา จากนั้นหมุนปุ่มหมุนตัวหนีบตามเข็มนาฬิกาเพื่อยึดชิ้นงาน

หมายเหตุ: ความกว้างสูงสุดของชิ้นงานที่ตัวหนีบแนวนอนสามารถยึดได้คือ 228 mm

ที่ยึด

คำเตือน: รองรับชิ้นงานที่ยาวเสมอเพื่อให้อยู่ในระดับเดียวกับกับพื้นผิวด้านบนสุดของฐานหมุน เพื่อให้ทำการตัดได้อย่างแม่นยำและป้องกันอันตรายจากการสูญเสียการควบคุมเครื่องมือ ตัวรองชิ้นงานที่เหมาะสมจะช่วยให้ไม่โยกเยกขยับเขยื้อนและติดกลับซึ่งอาจทำให้ได้รับบาดเจ็บสาหัสได้

ที่ยึดซึ่งมีมาให้ที่เครื่องมือทั้งสองด้านใช้สำหรับรองรับชิ้นงานที่มีขนาดยาวในแนวนอน คลายสกรูและยึดที่ยึดออกตามความยาวที่เหมาะสมสำหรับรองรับชิ้นงาน จากนั้นขันสกรูให้แน่น

► **หมายเลข 43:** 1. ยึด 2. สกรู

การใช้งาน

คำเตือน: ตรวจสอบให้แน่ใจว่าใบเลื่อยไม่ได้สัมผัสกับชิ้นงาน ฯลฯ อยู่ ก่อนเปิดสวิตช์ การเปิดเครื่องมือโดยที่ใบมีดสัมผัสกับชิ้นงานอยู่อาจส่งผลให้เกิดการติดกลับและได้รับบาดเจ็บสาหัสได้

คำเตือน: หลังตัดเสร็จแล้ว อย่าเพิ่งยกใบเลื่อยออกจนกว่าใบเลื่อยจะหยุดสนิท การยกใบเลื่อยที่กำลังหมุนอยู่อาจส่งผลให้ได้รับบาดเจ็บสาหัสและทำให้ชิ้นงานเสียหายได้

คำเตือน: อย่าทำการปรับต่างๆ เช่น ปรับด้ามจับ หมุน และก้านต่างๆ บนเครื่องมือในขณะที่ใบเลื่อยกำลังหมุนอยู่ การปรับขณะที่ใบเลื่อยหมุนอยู่อาจทำให้ได้รับบาดเจ็บสาหัสได้

ข้อสังเกต: ก่อนใช้ ตรวจสอบให้แน่ใจว่าได้ปลดล็อกเข็มสต็อบเปอร์และปล่อยมือจับจากตำแหน่งต่ำแล้ว

ข้อสังเกต: อย่าใช้แรงกดมากเกินไปในระหว่างที่ตัด การใช้แรงกดมากเกินไปอาจทำให้มอเตอร์ทำงานหนักเกินไปและ/หรือทำให้ประสิทธิภาพการตัดลดลง กดตามจับลงโดยใช้แรงกดตามที่จำเป็นให้สามารถทำการตัดได้อย่างราบรื่นโดยไม่ทำให้ความเร็วใบเลื่อยลดลง

ข้อสังเกต: กดตามจับลงเบาๆ เพื่อทำการตัด หากใช้แรงกดหรือหรือเพิ่มแรงกดขึ้น ใบเลื่อยอาจสั่นและทิ้งร่องรอย (รอยเลื่อย) บนชิ้นงานและความแม่นยำในการตัดอาจลดลง

ข้อสังเกต: ระหว่างทำการตัดสไลด์ ให้กดโครงยกเข้าหาฉากนำเบาๆ โดยไม่หยุด ถ้าหยุดการเคลื่อนที่ของโครงยกระหว่างการตัด อาจทำให้ชิ้นงานมีตำหนิและความแม่นยำของการตัดจะลดลง

การตัดแบบกด

คำเตือน: ล็อคการเคลื่อนที่สไลด์ของโครงยกเมื่อกดโครงยกเพื่อตัดเสมอ การตัดโดยไม่ล็อคอาจทำให้เกิดการติดกลับซึ่งทำให้ได้รับบาดเจ็บสาหัสได้

ชิ้นงานที่มีความสูงถึง 68 mm และความกว้าง 160 mm สามารถตัดได้ในลักษณะต่อไปนี้

► **หมายเลข 44:** 1. เข็มสต็อบเปอร์

1. ดันโครงยกเข้าหาฉากนำจนกระทั่งโครงยกหยุดและล็อคด้วยเข็มสต็อบเปอร์
2. ยึดชิ้นงานด้วยตัวหนีบประเภทที่เหมาะสม
3. เปิดสวิตช์เครื่องมือโดยอย่าให้ใบเลื่อยงกลมสัมผัสกับสิ่งใดๆ และรอนจนกระทั่งใบเลื่อยงกลมทำงานที่ความเร็วสูงสุดก่อนลดใบเลื่อยลง
4. ค่อยๆ ลดตามจับลงไปยังตำแหน่งต่ำสุดเพื่อตัดชิ้นงาน
5. เมื่อตัดเสร็จแล้ว ให้ปิดสวิตช์เครื่องมือและรอนจนกระทั่งใบเลื่อยงกลมหยุดสนิทก่อนนำใบเลื่อยงกลมกลับไปยังตำแหน่งยกจนสุด

การตัดสไลด์ (ต้น) (การตัดชิ้นงานที่มีขนาดกว้าง)

คำเตือน: เมื่อทำการตัดสไลด์ ชั้นแรกให้ตั้งตลับเข้าหาตัวจนสุดและกดตามจับลงจนสุด แล้วกดตลับเข้าหาฉากนำ ห้ามเริ่มทำการตัดโดยที่ยังไม่ได้ตั้งตลับเข้าหาตัวจนสุด ถ้าคุณทำการตัดสไลด์โดยที่ยังไม่ได้ตั้งตลับเข้าหาตัวจนสุด อาจเกิดการติดกลับขึ้นอย่างคาดไม่ถึง และการบาดเจ็บร้ายแรง

คำเตือน: ห้ามพยายามทำการตัดสไลด์โดยตั้งตลับเข้าหาตัว การตั้งตลับเข้าหาตัวขณะตัดอาจทำให้เกิดการติดกลับอย่างคาดไม่ถึง ส่งผลให้เกิดการบาดเจ็บร้ายแรงได้

คำเตือน: ห้ามทำการตัดสไลด์โดยที่ตามจับลือคอยู่ในตำแหน่งต่ำสุด

► หมายเลข 45: 1. เข็มสตัดปเปอร์

1. ปลดลือคเข็มสตัดปเปอร์เพื่อให้โครงยกเคลื่อนที่ได้ อย่างอิสระ
2. ยึดชิ้นงานด้วยตัวหนีบประเภทที่เหมาะสม
3. ตั้งตลับเข้าหาตัวจนสุด
4. เปิดสวิตช์เครื่องมือโดยไม่ให้ใบเลื่อยสัมผัสกับชิ้นงาน และรอจนกระทั่งใบเลื่อยทำงานจนถึงความเร็วสูงสุด
5. กดตามจับลงและดันตลับเข้าหาฉากนำและดันผ่านชิ้นงานไป
6. เมื่อตัดเสร็จ ให้ปิดสวิตช์เครื่องมือและรอจนกระทั่งใบเลื่อยหยุดสนิทแล้ว ก่อนยกใบเลื่อยกลับไปยังตำแหน่งยกขึ้นสูงสุด

การตัดบาก

โปรดดูที่ส่วนสำหรับการปรับองศามุมบาก

การตัดมุมเอียง

คำเตือน: หลังจากตั้งค่าใบเลื่อยสำหรับการตัดมุมเอียงแล้ว ให้ตรวจดูว่าโครงยกและใบเลื่อยสามารถเคลื่อนที่ได้อย่างอิสระในระยะเวลาการตัดที่ต้องการทั้งหมด ก่อนใช้งานเครื่องมือ การขัดขวางการเคลื่อนที่ของโครงยกหรือใบเลื่อยในระหว่างการตัดอาจส่งผลให้เกิดการติดกลับและทำให้ได้รับบาดเจ็บสาหัสได้

คำเตือน: ในระหว่างทำการตัดมุมเอียง ให้ดูแลให้มืออยู่ห่างจากเส้นทางของใบเลื่อย มุมของใบเลื่อยอาจทำให้ผู้ใช้งานลื่นบนพื้นเนื่องจากเส้นทางของใบเลื่อยจริงในขณะที่ทำการตัดและการสัมผัสกับใบเลื่อยจะส่งผลให้ได้รับบาดเจ็บสาหัสได้

คำเตือน: ไม่ควรยกใบเลื่อยขึ้นจนกว่าใบเลื่อยจะหยุดสนิทแล้ว ในระหว่างทำการตัดมุมเอียง ชิ้นส่วนที่ถูกตัดออกอาจติดกับใบเลื่อยอยู่ หากยกใบเลื่อยขึ้นในขณะที่ใบเลื่อยกำลังหมุนอยู่ ชิ้นส่วนที่ถูกตัดออกอาจถูกดีดออกด้วยใบเลื่อยซึ่งทำให้วัสดุแตกออกเป็นชิ้นๆ และอาจส่งผลให้ได้รับบาดเจ็บสาหัสได้

ข้อสังเกต: เมื่อกดมือจับลง ให้ใช้แรงกดขนานกับใบเลื่อย ถ้าใช้แรงในแนวตั้งฉากกับฐานหมุน หรือถ้าทิศทางของแรงกดเปลี่ยนแปลงระหว่างการตัด ความแม่นยำในการตัดจะลดลง

► หมายเลข 46

1. ถอดฉากกันด้านบนในด้านที่จุดกำลังจะเอียงโครงยก
2. ปลดลือคเข็มสตัดปเปอร์
3. ปรับมุมเอียงตามขั้นตอนที่อธิบายไว้ในส่วนการปรับมุมเอียง จากนั้นขันปุ่มหมุนให้แน่น
4. ยึดชิ้นงานด้วยตัวหนีบ
5. ตั้งตลับเข้าหาตัวจนสุด
6. เปิดเครื่องมือโดยไม่ให้ใบเลื่อยสัมผัสกับชิ้นงานแล้วรอให้ใบเลื่อยมีความเร็วสูงสุด
7. ลดตามจับลงเบาๆ จนถึงตำแหน่งต่ำสุดระหว่างที่ใช้แรงกดขนานกับใบเลื่อยและดันตลับเข้าหาฉากนำเพื่อตัดชิ้นงาน
8. เมื่อตัดเสร็จแล้ว ให้เปิดเครื่องมือแล้วรอจนกระทั่งใบเลื่อยหยุดสนิทก่อนที่จะยกใบเลื่อยกลับไปสู่ตำแหน่งสูงสุด

การตัดแบบผสม

การตัดแบบผสมคือกระบวนการเพิ่มมุมเอียงพร้อมๆ กับตัดชิ้นงานแบบฉาก สามารถทำการตัดแบบผสมได้ด้วยองศาตามที่แสดงในตาราง

องศาการบาก	องศามุมเอียง
ซ้ายและขวา 0° - 45°	ซ้ายและขวา 0° - 45°

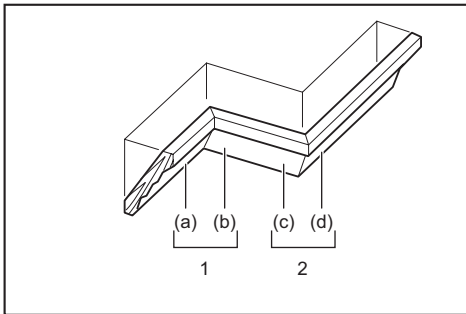
เมื่อทำการตัดแบบผสม โปรดดูที่ส่วนการตัดกด การตัดสไลด์ (ต้น) การตัดมุมฉาก และการตัดมุมเอียง

การตัดยอดและส่วนเว้าของแบบพิมพ์

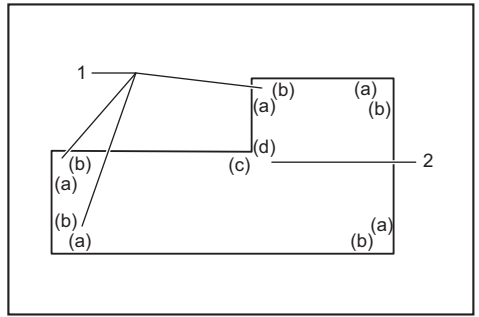
ยอดและการพิมพ์ส่วนเว้าสามารถตัดบนแท่นเลื่อยตัดองศา โดยให้แบบพิมพ์วางราบบนฐานหมุนแบบพิมพ์ยอดโดยทั่วไปมีสองประเภทและแบบพิมพ์เว้าหนึ่งประเภท ได้แก่ แบบพิมพ์ยอดมุมก่าแพง 52/38°, แบบพิมพ์ยอดมุมก่าแพง 45° และแบบพิมพ์ส่วนเว้ามุมก่าแพง 45°

- **หมายเลข 47:**
1. แบบพิมพ์ยอดมุมก่าแพง 52/38°
 2. แบบพิมพ์ยอดมุมก่าแพง 45°
 3. แบบพิมพ์ส่วนเว้ามุมก่าแพง 45°

มีข้อต่อแบบพิมพ์ยอดและส่วนเว้าซึ่งทำขึ้นเพื่อให้เข้ากับมุม 90° "ด้านใน" ((a) และ (b) ในรูป) และมุม 90° "ด้านนอก" ((c) และ (d) ในรูป)



1. มุมด้านใน 2. มุมด้านนอก



1. มุมด้านใน 2. มุมด้านนอก

การวัดขนาด

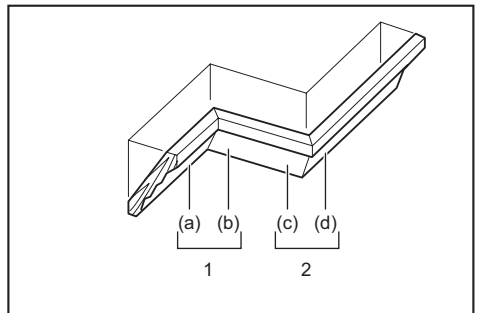
วัดขนาดความกว้างก่าแพง และปรับความกว้างของชิ้นงานตามนั้น โปรดตรวจสอบให้แน่ใจว่าความกว้างของขอบสัมผัสของก่าแพงของชิ้นงานเหมือนกับความยาวของก่าแพง

- **หมายเลข 48:**
1. ชิ้นงาน
 2. ความกว้างของก่าแพง
 3. ความกว้างของชิ้นงาน
 4. ขอบสัมผัสของก่าแพง

ใช้ชิ้นส่วนหลายๆ ชิ้นในการตัดทดสอบเพื่อตรวจสอบมุมไปเลยเสมอ

เมื่อทำการตัดยอดและส่วนเว้าของแบบพิมพ์ ให้ตั้งค่ามุมเอียงและองศาการบากดังที่แสดงไว้ในตาราง (A) และวางตำแหน่งแบบพิมพ์บนพื้นผิวด้านบนของฐานเลื่อยตามรูปในตาราง (B)

ในกรณีของการตัดมุมเอียงซ้าย

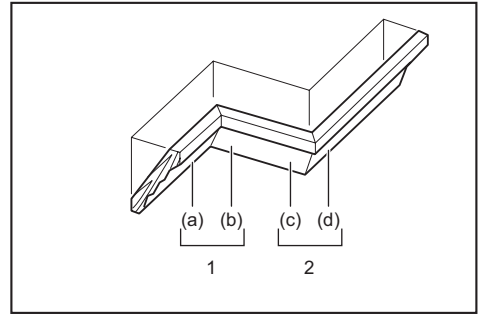


1. มุมด้านใน 2. มุมด้านนอก

ตาราง (A)

—	ตำแหน่ง แบบ พิมพ์ ในรูป	องศามุมเอียง		องศาการบาก	
		ประเภท 52/38°	ประเภท 45°	ประเภท 52/38°	ประเภท 45°
สำหรับ มุม ด้านใน	(a)	ซ้าย 33.9°	ซ้าย 30°	ขวา 31.6°	ขวา 35.3°
	(b)			ซ้าย 31.6°	ซ้าย 35.3°
สำหรับ มุมด้าน นอก	(c)	(d)		ขวา 31.6°	ขวา 35.3°
	(d)			ขวา 31.6°	ขวา 35.3°

ในกรณีของการตัดมุมเอียงขวา



1. มุมด้านใน 2. มุมด้านนอก

ตาราง (B)

—	ตำแหน่งแบบ พิมพ์ในรูป	ขอบแบบ พิมพ์กับ ฉากหน้า	ชั้นที่เสร็จแล้ว
สำหรับมุม ด้านใน	(a)	ขอบสัมผัส เพดานควรติด กับฉากหน้า	ชั้นที่เสร็จแล้ว จะอยู่ทางด้าน ซ้ายของใบ เลื่อย
	(b)	ขอบสัมผัส	
สำหรับมุม ด้านนอก	(c)	กำแพงควร ติดกับฉากหน้า	ชั้นที่เสร็จแล้ว จะอยู่ทางด้าน ขวาของใบ เลื่อย
	(d)	ขอบสัมผัส เพดานควรติด กับฉากหน้า	

ตัวอย่าง:

ในกรณีที่ตัดแบบพิมพ์ยอดประเภท 52/38° สำหรับตำแหน่ง

(a) ในรูปด้านบน

- เอียงและยึดการตั้งค่ามุมเอียงไว้ที่ 33.9° ซ้าย
- ปรับและยึดการตั้งค่าองศาการบากไว้ที่ 31.6° ขวา
- วางแบบพิมพ์ยอดโดยให้พื้นผิวด้านหลังที่กว้าง (ที่ซ่อนไว้) คว่ำไว้กับฐานหมุนโดยให้ขอบสัมผัสเพดานติดกับฉากหน้านับเลื่อย
- ชั้นที่เสร็จแล้วจะนำไปใช้จะอยู่ทางด้านซ้ายของใบเลื่อยหลังจากทำการตัดแล้ว

ตาราง (A)

—	ตำแหน่ง แบบ พิมพ์ ในรูป	องศามุมเอียง		องศาการบาก	
		ประเภท 52/38°	ประเภท 45°	ประเภท 52/38°	ประเภท 45°
สำหรับ มุม ด้านใน	(a)	ขวา 33.9°	ขวา 30°	ขวา 31.6°	ขวา 35.3°
	(b)			ซ้าย 31.6°	ซ้าย 35.3°
สำหรับ มุมด้าน นอก	(c)	(d)		ขวา 31.6°	ขวา 35.3°
	(d)			ขวา 31.6°	ขวา 35.3°

ตาราง (B)

—	ตำแหน่งแบบ พิมพ์ในรูป	ขอบแบบ พิมพ์กับ ฉากหน้า	ชั้นที่เสร็จแล้ว
สำหรับมุม ด้านใน	(a)	ขอบสัมผัส ผนังควรติด กับฉากหน้า	ชั้นที่เสร็จแล้ว จะอยู่ทางด้าน ขวาของใบ เลื่อย
	(b)	ขอบสัมผัส	
สำหรับมุม ด้านนอก	(c)	เพดานควรติด กับฉากหน้า	ชั้นที่เสร็จแล้ว จะอยู่ทางด้าน ซ้ายของใบ เลื่อย
	(d)	ขอบสัมผัส ผนังควรติด กับฉากหน้า	

ตัวอย่าง:

ในกรณีที่ตัดแบบพิมพ์ยอดประเภท 52/38° สำหรับตำแหน่ง

(a) ในรูปด้านบน

- เอียงและยึดการตั้งค่ามุมเอียงไว้ที่ 33.9° ด้านขวา
- ปรับและยึดการตั้งค่าองศาการบากไว้ที่ 31.6° ขวา

- วางบัวผนังโดยให้พื้นผิวด้านหลังที่กว้าง (ที่ซ่อนไว้) คว้าไว้กับฐานหมุนโดยให้ขอบสัมผัสผนังติดกับฉากนำบนเปลือย
- ชั้นที่เสร็จแล้วที่จะนำไปใช้จะอยู่ทางด้านขวาของใบเลื่อยหลังจากทำการตัดแล้ว

สต็อบเปอร์บัวผนัง

อุปกรณ์เสริม

สต็อบเปอร์บัวผนังจะทำให้ตัดบัวผนังได้ง่ายขึ้นโดยไม่ต้องเอียงใบเลื่อย ติดตั้งสต็อบเปอร์บัวผนังไว้ที่ฐานหมุนตามภาพ

ท้องคามุมฉากขวา 45°

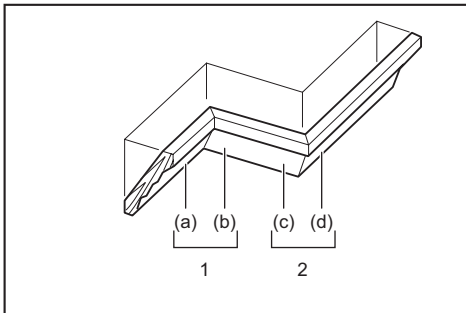
- **หมายเลข 49:** 1. สต็อบเปอร์บัวผนัง (ซ้าย) 2. สต็อบเปอร์บัวผนัง (ขวา) 3. ฐานหมุน 4. ฉากนำ

ท้องคามุมฉากซ้าย 45°

- **หมายเลข 50:** 1. สต็อบเปอร์บัวผนัง (ซ้าย) 2. สต็อบเปอร์บัวผนัง (ขวา) 3. ฐานหมุน 4. ฉากนำ

จัดตำแหน่งบัวผนังโดยให้ขอบสัมผัสผนังติดกับฉากนำ และขอบสัมผัสพื้นติดกับสต็อบเปอร์บัวผนังตามภาพ ปรับสต็อบเปอร์บัวผนังตามขนาดของบัวผนัง ชันสกรูเพื่อยึดสต็อบเปอร์บัวผนัง ตูองคามุมฉากได้ที่ตาราง (C)

- **หมายเลข 51:** 1. ฉากนำ 2. สต็อบเปอร์บัวผนัง



1. มุมด้านใน 2. มุมด้านนอก

ตาราง (C)

—	ตำแหน่งแบบพิมพ์ในรูป	องศามุมฉาก	ชั้นที่เสร็จแล้ว
สำหรับมุมด้านใน	(a)	ขวา 45°	บันทึกด้านขวาของใบเลื่อย
	(b)	ซ้าย 45°	บันทึกด้านซ้ายของใบเลื่อย
สำหรับมุมด้านนอก	(c)		บันทึกด้านขวาของใบเลื่อย
	(d)	ขวา 45°	บันทึกด้านซ้ายของใบเลื่อย

การตัดอะลูมิเนียมขึ้นรูป

- **หมายเลข 52:** 1. ตัวหนีบ 2. บล็อกตัวรอง 3. ฉากนำ 4. อะลูมิเนียมขึ้นรูป 5. บล็อกตัวรอง

เมื่อทำการยึดอะลูมิเนียมขึ้นรูป โปรดใช้บล็อกตัวรองหรือเศษวัสดุเพื่อป้องกันการบิดรูปของอะลูมิเนียม ใช้ผ้ามันห่อลื่นสำหรับการตัดเมื่อทำการตัดอะลูมิเนียมขึ้นรูปเพื่อป้องกันการสะสมของเศษอะลูมิเนียมบนใบเลื่อยวงกลม

▲ คำเตือน: อย่าพยายามตัดอะลูมิเนียมขึ้นรูปที่มีความหนาหรือมีรูปทรงกลม อะลูมิเนียมขึ้นรูปที่มีความหนาหรือมีรูปทรงกลมอาจทำการยึดได้ยากและชิ้นงานอาจคลายระหว่างทำการตัดซึ่งอาจสูญเสียการควบคุมและทำให้ได้รับบาดเจ็บสาหัสได้

การตัดร่อง

▲ คำเตือน: อย่าพยายามทำการตัดประเภทนี้โดยใช้ใบเลื่อยประเภทที่กว้างขึ้นหรือใบเลื่อยดาโด การพยายามตัดร่องด้วยใบเลื่อยที่กว้างขึ้นหรือใบเลื่อยดาโดอาจทำให้เกิดผลการตัดที่ไม่คาดคิดและการติดกลับซึ่งอาจทำให้เกิดการบาดเจ็บร้ายแรงได้

▲ คำเตือน: โปรดตรวจสอบให้แน่ใจว่าเก็บแขนสต็อบเปอร์กลับตำแหน่งเดิมเมื่อทำอย่างอื่นนอกเหนือจากการตัดร่อง การพยายามตัดด้วยแขนสต็อบเปอร์ในตำแหน่งที่ไม่ถูกต้องอาจทำให้เกิดผลการตัดที่ไม่คาดคิดและการติดกลับซึ่งอาจทำให้เกิดการบาดเจ็บร้ายแรงได้

สำหรับการตัดประเภทดาโด ให้ทำดังนี้

1. ปรับตำแหน่งขีดจำกัดด้านล่างของใบเลื่อยวงกลมโดยใช้สกรูปรับและแขนสต็อปเปอร์เพื่อกำหนดความลึกการตัดของใบเลื่อยวงกลม โปรดดูที่ส่วนแขนสต็อปเปอร์
 2. หลังจากปรับตำแหน่งขีดจำกัดด้านล่างของใบเลื่อยวงกลมแล้ว ให้ตัดขนานกับร่องทางด้านกว้างของชิ้นงานโดยใช้การตัดสไลด์ (ต้น)
- ▶ **หมายเลข 53:** 1. ตัดร่องด้วยใบเลื่อย
3. นำวัสดุของชิ้นงานที่อยู่ระหว่างร่องออกด้วยสิ่ว

การยกเครื่องมือ

ก่อนการยก ตรวจสอบให้แน่ใจว่าได้ถอดปลั๊กและชิ้นส่วนเคลื่อนที่ทั้งหมดของเครื่องเลื่อยของคาถุกยึดไว้เรียบร้อยแล้ว ตรวจสอบสิ่งต่อไปนี้เสมอ:

- ถอดปลั๊กเครื่องมือแล้ว
- โครนยกอยู่ที่ตำแหน่งองศา 0° และยึดไว้แล้ว
- โครนยกอยู่ที่ตำแหน่งต่ำและล็อกไว้แล้ว
- โครนยึดถูกเลื่อนไปจนสุดฉากนำและยึดไว้แล้ว
- ฐานหมุนอยู่ที่ตำแหน่งองศามุมฉากด้านขวาและยึดไว้แล้ว
- เก็บบนและยึดที่ยึดแล้ว

ยกเครื่องมือโดยยกที่ฐานเครื่องมือทั้งสองด้านตามภาพ

- ▶ **หมายเลข 54**

คำเตือน: เชื่อมสต็อปเปอร์สำหรับยกโครนยกใช้สำหรับการยกและการเก็บรักษาเท่านั้น ห้ามใช้ในการตัดใดๆ การใช้เชื่อมสต็อปเปอร์สำหรับการตัดอาจทำให้ใบเลื่อยเคลื่อนที่ในแบบไม่คาดคิด ทำให้เกิดการตีกลับและการบาดเจ็บสาหัสได้

ข้อควรระวัง: ยึดส่วนที่เคลื่อนที่ได้ทั้งหมดก่อนยกเครื่องมือ ถ้าส่วนต่างๆ ของเครื่องมือเคลื่อนที่หรือสไลด์เมื่อถูกยก อาจทำให้สูญเสียการควบคุมหรือสมดุล ทำให้ได้รับบาดเจ็บได้

การบำรุงรักษา

คำเตือน: ตรวจสอบให้แน่ใจว่าได้ปิดสวิตช์เครื่องมือและถอดปลั๊กออกก่อนทำการตรวจสอบหรือบำรุงรักษา หากไม่ถอดปลั๊กและปิดสวิตช์เครื่องมืออาจทำให้เครื่องมือทำงานโดยไม่ได้ตั้งใจซึ่งอาจทำให้ได้รับบาดเจ็บสาหัสได้

คำเตือน: โปรดตรวจสอบให้แน่ใจว่าใบเลื่อยนั้นคมและสะอาดอยู่เสมอเพื่อประสิทธิภาพและความปลอดภัยสูงสุด การพยายามตัดด้วยใบเลื่อยที่ทื่อและ/หรือสกปรกอาจทำให้เกิดการตีกลับและทำให้เกิดการบาดเจ็บร้ายแรงได้

ข้อสังเกต: อย่าใช้น้ำมันเชื้อเพลิง เบนซิน ทินเนอร์ แอลกอฮอล์ หรือวัสดุประเภทเดียวกัน เนื่องจากอาจทำให้ลื่นหรือลื่นเกินไป หรือแตกเร็วได้

การปรับมุมการตัด

เครื่องมือนี้ได้รับการปรับแต่งมาอย่างละเอียดจากโรงงาน แต่การใช้งานหรือการเคลื่อนย้ายอาจทำให้ตำแหน่งต่างๆ ผิดไปได้ หากส่วนต่างๆ ของเครื่องมือของคุณไม่อยู่ในตำแหน่งที่ถูกต้อง โปรดดำเนินการดังต่อไปนี้:

องศาการบาก

ลดด้ามจับลงจนสุดแล้วล็อกในตำแหน่งต่ำสุดโดยใช้เชื่อมสต็อปเปอร์ ดันโครนยกเข้าหาฉากนำ คลายด้ามจับและสกรูที่ยึดตัวชี้และสเกลองศามุมบาก

- ▶ **หมายเลข 55:** 1. สกรูบนตัวชี้ 2. สกรูบนสเกลองศามุมบาก 3. สเกลมุมบาก

ตั้งค่าฐานหมุนไปที่ตำแหน่ง 0° โดยใช้ฟังก์ชันหยุดตามตำแหน่ง ปรับให้ด้านของใบเลื่อยตั้งฉากกับด้านหน้าของฉากนำโดยใช้ไม้บรรทัดสามเหลี่ยมหรือไม้ฉาก ในขณะที่ปรับใบเลื่อยให้ตรง ให้ขันสกรูบนสเกลองศามุมบาก หลังจากนั้น ให้ปรับตำแหน่งตัวชี้ (ทั้งซ้ายและขวา) ไปที่ตำแหน่ง 0° ในสเกลองศามุมบากแล้วขันสกรูบนตัวชี้

- ▶ **หมายเลข 56:** 1. ไม้บรรทัดสามเหลี่ยม

องศามุมเอียง

มุมเอียง 0°

ดันโครงยกเข้าหาฉากนำและล็อกการเคลื่อนที่สไลด์ด้วย เข็มสต๊อปเปอร์ ลดมือจับลงจนสุดแล้วล็อกในตำแหน่งที่ลดลงมานั้นด้วยเข็มสต๊อปเปอร์ จากนั้นคลายปุ่มหมุน หมุนสลักเกลียวปรับ 0° สองหรือสามรอบทวนเข็มนาฬิกาเพื่อเอียงใบเลื่อยไปทางขวา

▶ **หมายเลข 57:** 1. สลักเกลียวปรับ 0° 2. สกรู

จัดให้ด้านข้างของใบเลื่อยตั้งฉากกับผิวหน้าด้านบนของฐานหมูน้อยอย่างระมัดระวังโดยใช้ไม้บรรทัดสามเหลี่ยม ไม้ฉาก ฯลฯ โดยการหมุนสลักเกลียวปรับ 0° ตามเข็มนาฬิกา จากนั้นขันปุ่มหมุนให้แน่นเพื่อยึดมุม 0° ที่คุณตั้งค่าไว้

▶ **หมายเลข 58:** 1. ไม้บรรทัดสามเหลี่ยม 2. ใบเลื่อย
3. พื้นผิวด้านบนของฐานหมู่น้อย

ตรวจสอบอีกครั้งว่าด้านข้างของใบเลื่อยตั้งฉากกับผิวหน้าของฐานหมู่น้อยแล้ว คลายสกรูบนตัวชี้ ปรับตัวชี้ไปที่ตำแหน่ง 0° ในสเกลองศามุมเอียง จากนั้นขันสกรูให้แน่น

มุมเอียง 45°

ข้อสังเกต: ปรับองศามุมเอียงไปที่ 0° ก่อนแล้วจึงค่อยปรับองศามุมเอียงไปที่ 45° องศา

คลายปุ่มหมุนแล้วเอียงโครงยกไปทางด้านที่คุณต้องการตรวจสอบ ตรวจสอบว่าตัวชี้ชี้ไปที่ตำแหน่ง 45° ของสเกลองศามุมเอียง

▶ **หมายเลข 59**

ถ้าตัวชี้ไม่ชี้ไปที่ตำแหน่ง 45° ให้ปรับให้อยู่ที่ตำแหน่ง 45° โดยการหมุนสลักเกลียวปรับไปด้านตรงข้ามของสเกลองศามุมเอียง

▶ **หมายเลข 60:** 1. สลักเกลียวปรับซ้าย 45°
2. สลักเกลียวปรับขวา 45°

การปรับตำแหน่งแนวเลเซอร์

สำหรับรุ่น LS1019L เท่านั้น

คำเตือน: ต้องเสียบปลั๊กเครื่องมือในขณะที่ทำการปรับแนวเลเซอร์ ระวังวงเป็นพิษว่าสวิตช์เครื่องมือไม่ได้เปิดอยู่ขณะทำการปรับ การที่เครื่องมือเริ่มทำงานโดยไม่ได้ตั้งใจอาจทำให้ได้รับบาดเจ็บสาหัส

ข้อควรระวัง: ห้ามมองลำแสงเลเซอร์โดยตรงเด็ดขาด หากลำแสงสัมผัสดวงตาโดยตรงอาจทำลายดวงตาของคุณอย่างรุนแรง

ข้อสังเกต: ตรวจสอบความถูกต้องของตำแหน่งแนวเลเซอร์เป็นประจำ

ข้อสังเกต: ระวังอย่าให้เครื่องมือถูกระแทก เนื่องจากอาจทำให้แนวเลเซอร์คลาดเคลื่อน หรืออาจสร้างความเสียหายกับเลเซอร์ ทำให้อายุใช้งานสั้นลง

ข้อสังเกต: หากมีความผิดปกติใดๆ ที่ส่วนเลเซอร์ให้นำเครื่องมือเข้ากับการซ่อมโดยศูนย์บริการที่ได้รับการรับรองของ Makita

ระยะการเคลื่อนที่ของแนวเลเซอร์ถูกกำหนดโดยสกรูปรับระยะที่มีทั้งสองด้าน วิธีการปรับตำแหน่งแนวเลเซอร์ให้ปฏิบัติตามขั้นตอนต่อไปนี้

1. ถอดปลั๊กเครื่องมือ
2. วาดเส้นแนวตัดบนชิ้นงานแล้ววางบนฐานหมู่น้อยในกรณีนี้ ไม่ต้องยึดชิ้นงานด้วยตัวหนีบหรืออุปกรณียึดในลักษณะเดียวกัน
3. ลดมือจับลงและจัดตำแหน่งเส้นแนวตัดให้ตรงกับใบเลื่อย
4. ปรับให้มือจับกลับคืนตำแหน่งเดิมและยึดชิ้นงานด้วยตัวหนีบแนวตั้งเพื่อให้ชิ้นงานไม่เคลื่อนที่จากตำแหน่งที่คุณกำหนดไว้
5. เสียบปลั๊กเครื่องมือและเปิดสวิตช์เลเซอร์

6. คลายสกรูปรับ วิธีการย้ายแนวเลเซอร์ออกจากใบเลื่อย ให้หมุนสกรูปรับระยะทวนเข็มนาฬิกา วิธีการย้ายแนวเลเซอร์เข้าหาใบเลื่อย ให้หมุนสกรูปรับระยะตามเข็มนาฬิกา

การปรับแนวเลเซอร์ที่ด้านซ้ายของใบเลื่อย

- ▶ **หมายเลข 61:** 1. สกรูปรับ 2. สกรูปรับระยะ
3. ประแจหกเหลี่ยม 4. แนวเลเซอร์
5. ใบเลื่อย

การปรับแนวเลเซอร์ที่ด้านขวาของใบเลื่อย

- ▶ **หมายเลข 62:** 1. สกรูปรับ 2. สกรูปรับระยะ
3. ประแจหกเหลี่ยม 4. แนวเลเซอร์
5. ใบเลื่อย

7. เลื่อนสกรูปรับไปยังตำแหน่งที่แนวเลเซอร์จะมาถึงเส้นแนวตัด จากนั้นขันให้แน่น

หมายเหตุ: ระยะที่เคลื่อนที่ได้ของแนวเลเซอร์ถูกปรับมาจากโรงงาน ซึ่งคือในระยะ 1 mm (0.04") จากด้านข้างพื้นผิวของใบเลื่อย

การทำความสะอาดเลนส์แสงของเลเซอร์

สำหรับรุ่น LS1019L เท่านั้น

ถ้าเลนส์ของแสงเลเซอร์สกปรกจะทำให้เห็นแสงเลเซอร์ไม่ชัด ทำความสะอาดเลนส์ของแสงเลเซอร์เป็นระยะ

▶ **หมายเลข 63:** 1. สกรู 2. เลนส์

ถอดปลั๊กเครื่องมือ คลายสกรูและถอดเลนส์ออก ใช้ผ้าที่อ่อนนุ่มชุบน้ำหมาดๆ เช็ดทำความสะอาดเลนส์เบาๆ

ข้อสังเกต: อย่าถอดสกรูที่ยึดเลนส์ออก ถ้าเลนส์ยังไม่หลุดออก ให้คลายสกรูเพิ่ม

ข้อสังเกต: อย่าใช้สารทำละลายหรือสารทำความสะอาดที่มีส่วนประกอบของปิโตรเลียมกับเลนส์

การเปลี่ยนแปลงคาร์บอน

▶ **หมายเลข 64:** 1. เครื่องหมายขีดจำกัด

ถอดแปรงคาร์บอนออกมาตรวจสอบเป็นประจำ เปลี่ยนแปรงคาร์บอนเมื่อสึกหรองจนถึงเครื่องหมายขีดจำกัด รักษาแปรงคาร์บอนให้สะอาด และอย่าให้แปรงคาร์บอนหลุดเข้าไปในที่ยึด ควรเปลี่ยนแปลงคาร์บอนทั้งสองอันพร้อมกัน ใช้แปรงคาร์บอนแบบเดียวกันเท่านั้น

ใช้ไขควงเพื่อถอดฝาปิดที่ยึดแปรงออก นำแปรงคาร์บอนที่สึกหรองออกมา ใส่แปรงคาร์บอนใหม่เข้าไป และปิดฝาปิดที่ยึดแปรงให้แน่น

▶ **หมายเลข 65:** 1. ฝาปิดที่ยึดแปรง

หลังจากเปลี่ยนแปลงแล้ว ให้เสียบปลั๊กเครื่องมือและใช้งานแปรงโดยการเดินเครื่องมือหมุนเปล่าเป็นเวลา 10 นาที จากนั้นตรวจสอบเครื่องมือในขณะที่ทำงานและการทำงานของเบรกไฟฟ้าเมื่อปล่อยสวิตช์สั่งงาน ถ้าเบรกไฟฟ้าทำงานผิดปกติให้นำเครื่องมือเข้ารับการซ่อมที่ศูนย์บริการของ Makita

หลังจากการใช้งาน

หลังจากการใช้งาน ให้ใช้ผ้าหรือสิ่งอื่นๆ ปิดเศษวัสดุและฝุ่นที่เครื่องมือ รักษาความสะอาดของที่ป้องกันไบเลื่อยโดยใช้วิธีการที่ระบุไว้ในส่วนที่มีชื่อว่า “ที่ป้องกันไบเลื่อย” ใช้น้ำมันเครื่องหล่อลื่นส่วนที่เคลื่อนที่ได้เพื่อกันสนิม

เพื่อความปลอดภัยและนำเชื้อถือของผลิตภัณฑ์ ควรให้ศูนย์บริการหรือโรงงานที่ผ่านการรับรองจาก Makita เป็นผู้ดำเนินการซ่อมแซม บำรุงรักษาและทำการปรับตั้งอื่นๆ นอกจากนี้ให้ใช้อะไหล่ของแท้จาก Makita เสมอ

อุปกรณ์เสริม

คำเตือน: ขอแนะนำให้ใช้เฉพาะอุปกรณ์เสริมของ Makita หรืออุปกรณ์ต่อพ่วงเหล่านี้กับเครื่องมือของ Makita ที่ระบุในคู่มือ การใช้อุปกรณ์เสริมหรืออุปกรณ์ต่อพ่วงอื่นอาจทำให้ได้รับบาดเจ็บสาหัสได้

คำเตือน: ใช้อุปกรณ์เสริมของ Makita หรืออุปกรณ์ต่อพ่วงดาวัตถุประสงค์ที่ระบุไว้เท่านั้น การใช้อุปกรณ์เสริมหรืออุปกรณ์ต่อพ่วงอย่างไม่เหมาะสมอาจทำให้ได้รับบาดเจ็บสาหัส

หากต้องการทราบรายละเอียดเพิ่มเติมเกี่ยวกับอุปกรณ์เสริมเหล่านี้ โปรดสอบถามศูนย์บริการ Makita ใกล้บ้านคุณ

- ไบเลื่อยเหล็กและคาร์ไบด์
- ตัวหนีบแนวตั้ง
- ตัวหนีบแนวนอน
- ชุดตัดต่อเปอร์บัวมัน
- ลูกตักฝุ่น
- ไม้บรรทัดสามเหลี่ยม
- ประแจหกเหลี่ยม
- ประแจหกเหลี่ยม (สำหรับ LS1019L)

หมายเหตุ: อุปกรณ์บางรายการอาจรวมอยู่ในชุดเครื่องมือเป็นอุปกรณ์มาตรฐาน ซึ่งอาจแตกต่างกันไปในแต่ละประเทศ

Makita Corporation

3-11-8, Sumiyoshi-cho,
Anjo, Aichi 446-8502 Japan

www.makita.com

885575C375
EN, ZHCN, ID,
VI, TH
20191120