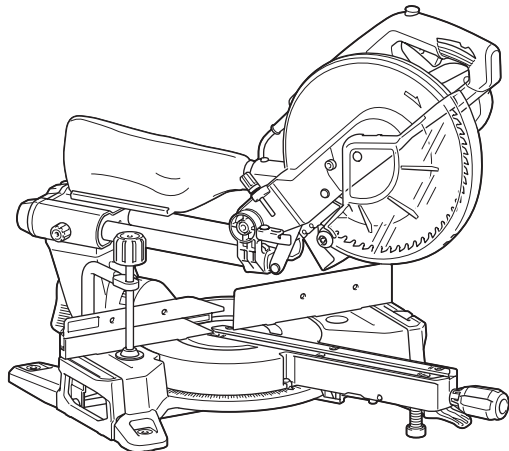




EN	Slide Compound Miter Saw	INSTRUCTION MANUAL	13
ZHCN	斜断锯 (滑动复合式)	使用说明书	28
ZHTW	雙軌多角度切斷機	使用說明書	44
ID	Gergaji Adu Manis Kombinasi Geser	PETUNJUK PENGGUNAAN	59
MS	Gergaji Miter Majmuk Gelangsar	MANUAL ARAHAN	76
VI	Máy Cưa Đa Góc Đe Bàn Hoạt Động Bằng Động Cơ Điện	TÀI LIỆU HƯỚNG DẪN	93
TH	เครื่องเลื่อยของสามสมแบบสไลด์	คู่มือการใช้งาน	108

LS1110F



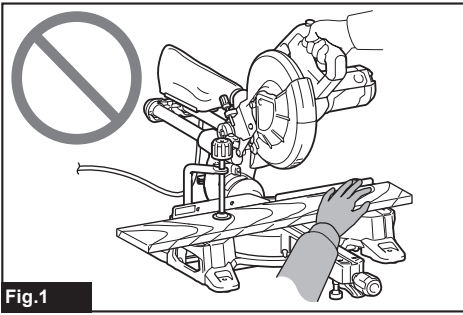


Fig.1

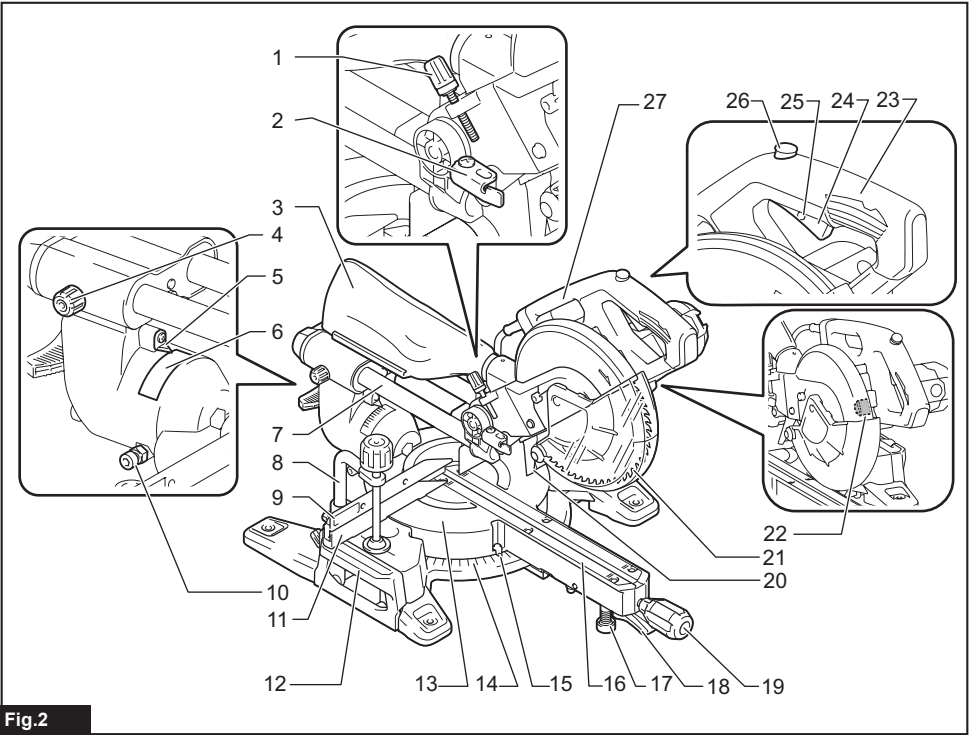


Fig.2

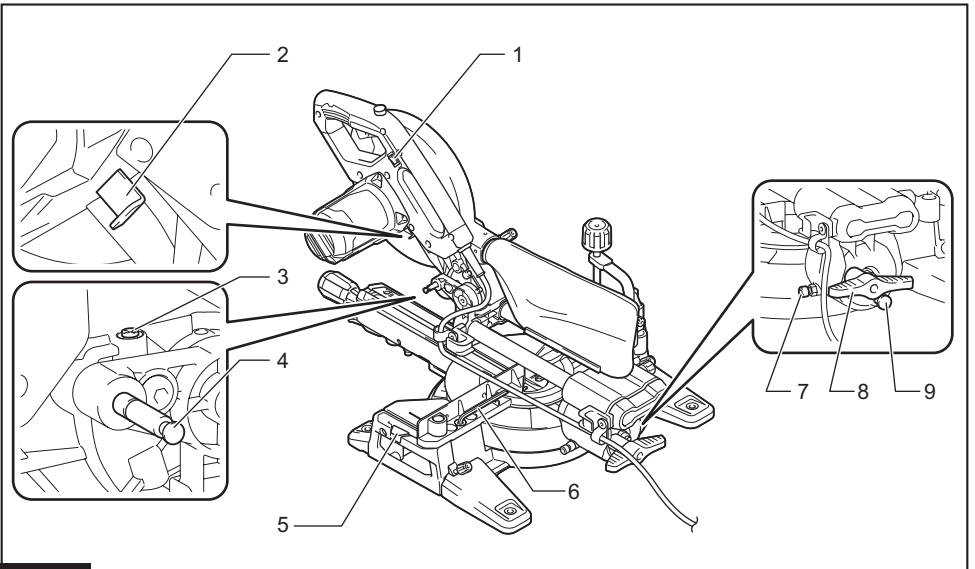


Fig.3

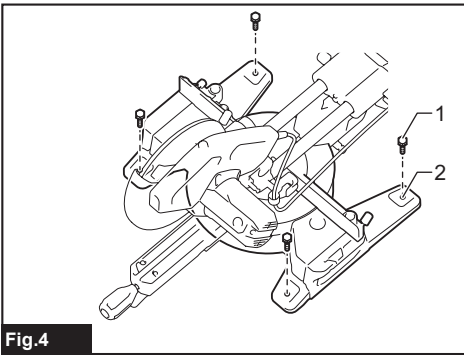


Fig.4

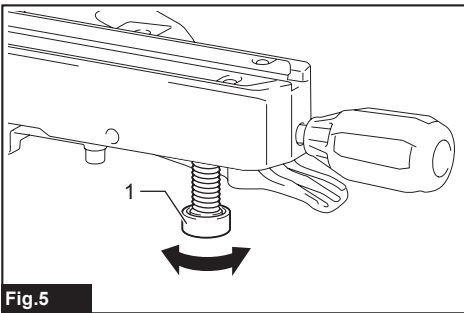


Fig.5

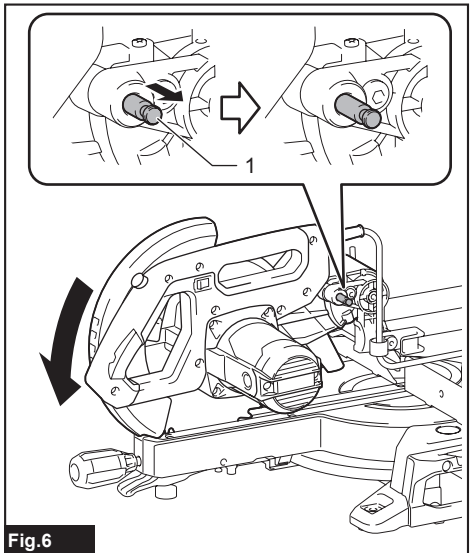


Fig.6

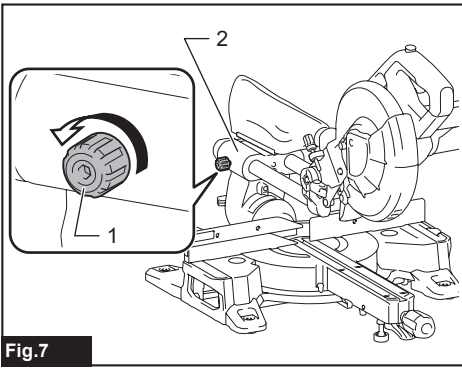


Fig.7

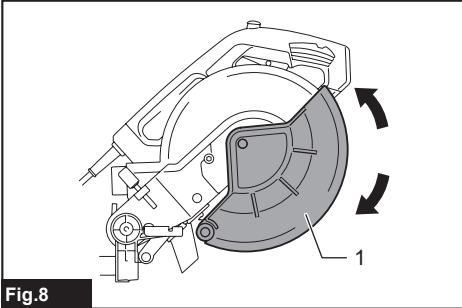


Fig.8

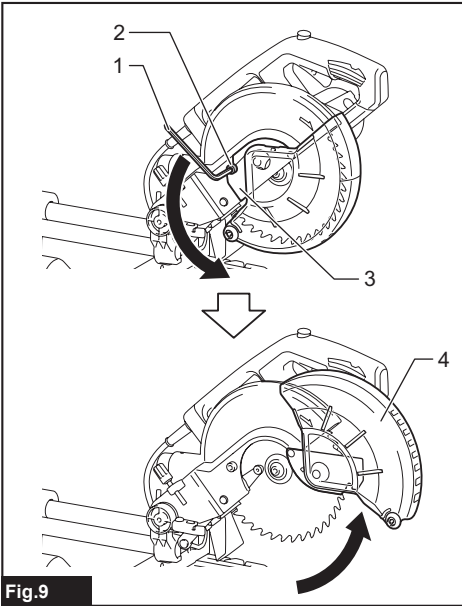


Fig.9

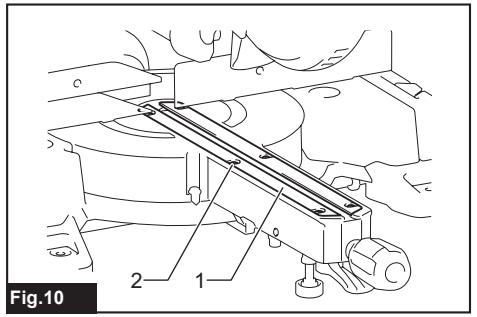


Fig.10

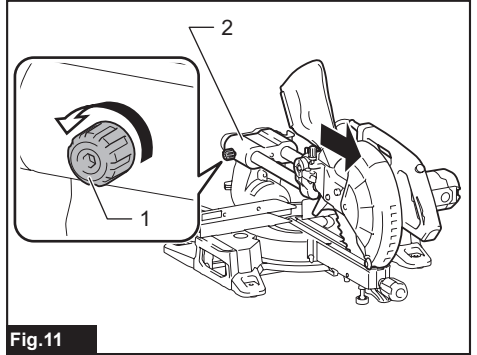


Fig.11

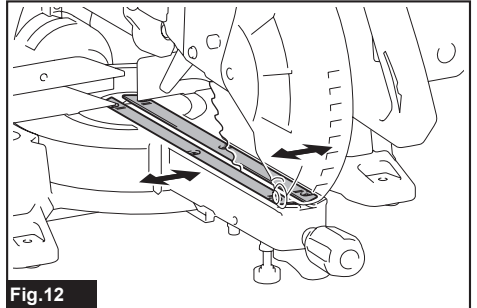


Fig.12

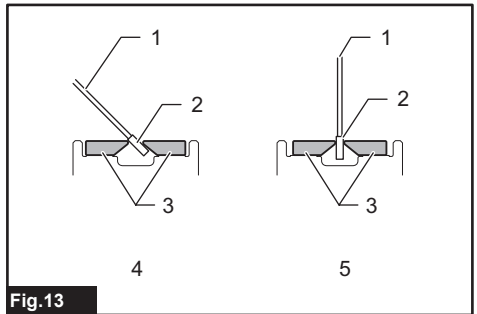


Fig.13

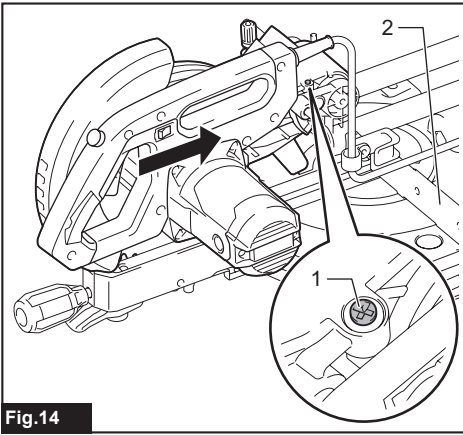


Fig. 14

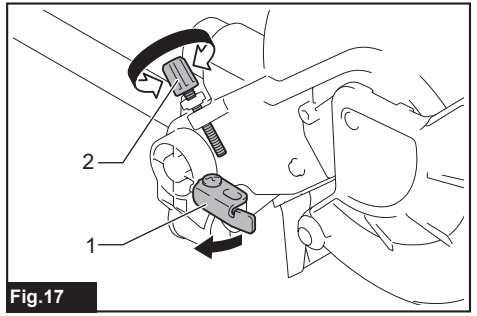


Fig. 17

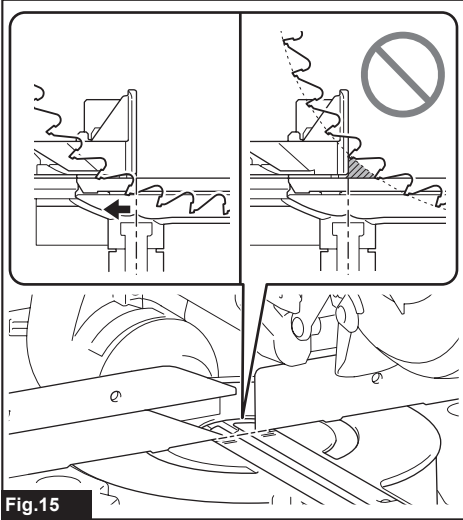


Fig. 15

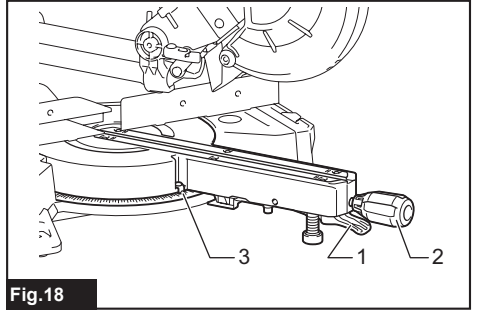


Fig. 18

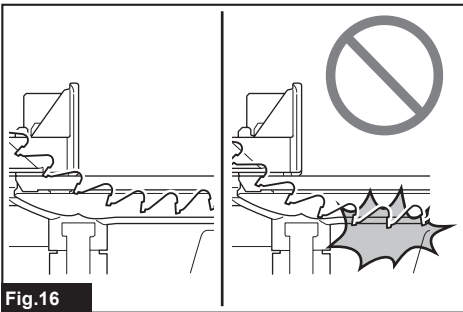


Fig. 16

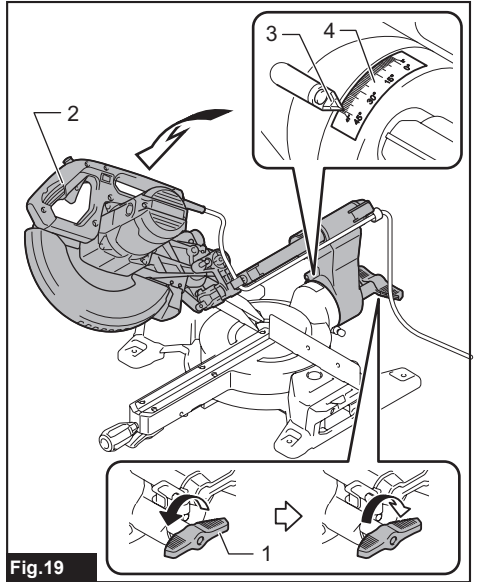
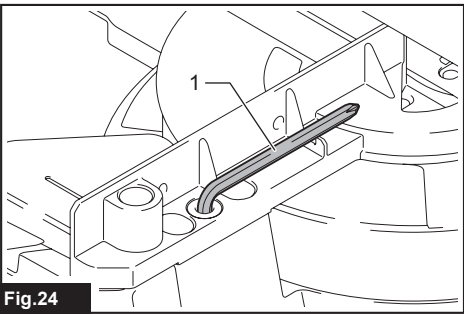
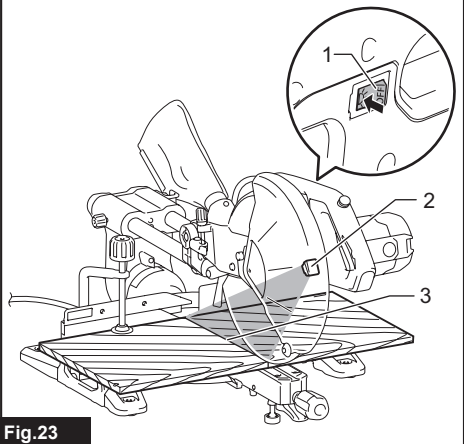
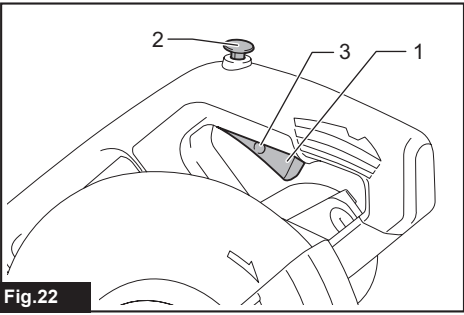
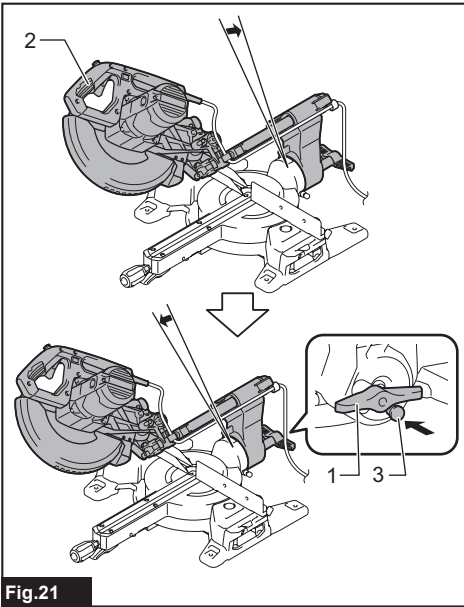
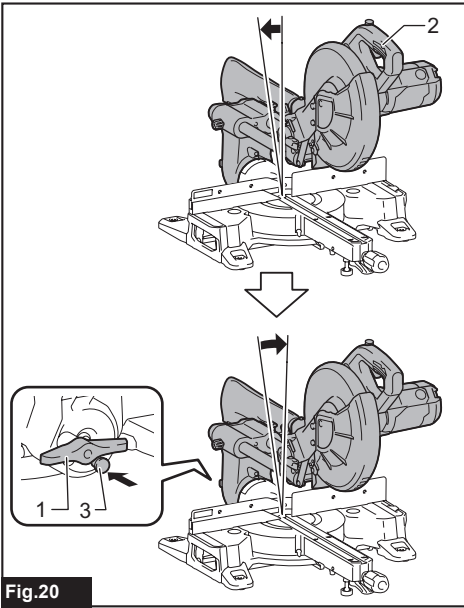
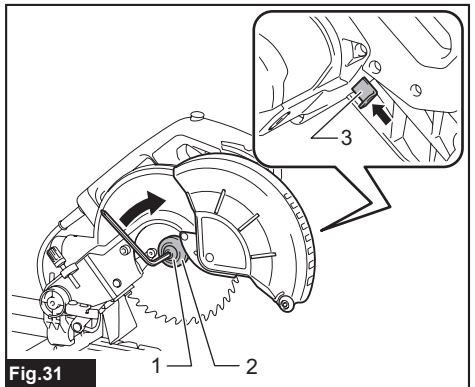
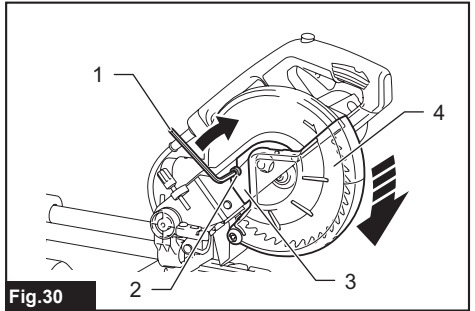
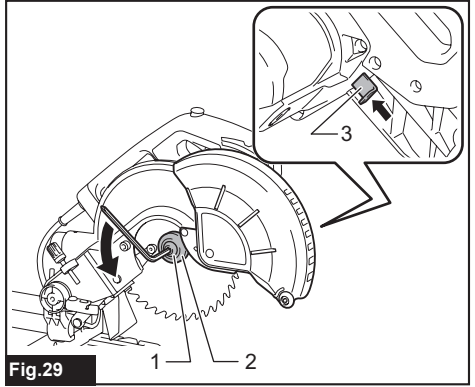
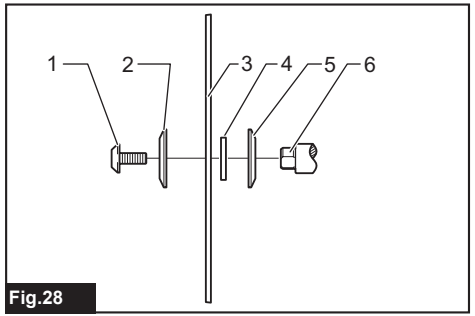
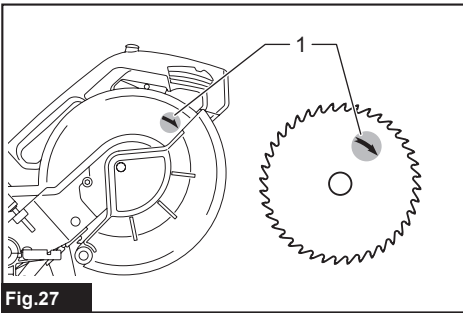
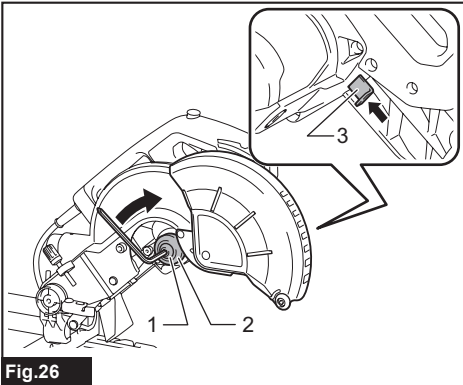
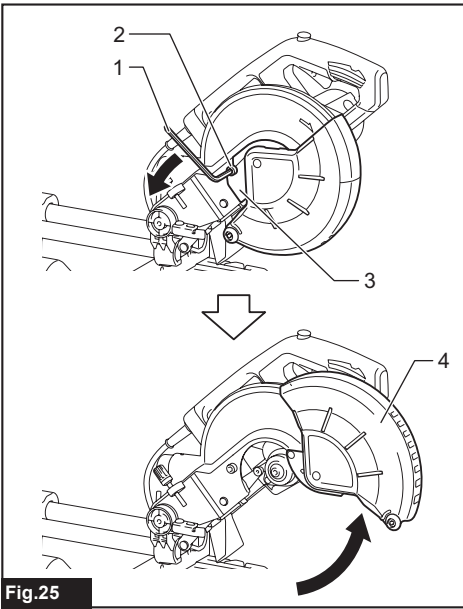


Fig. 19





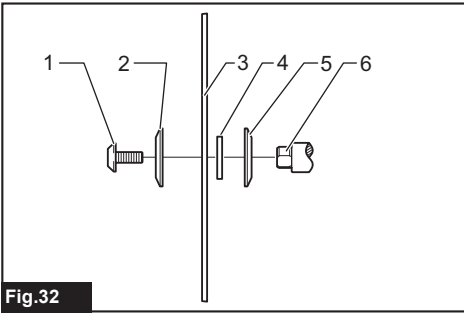


Fig.32

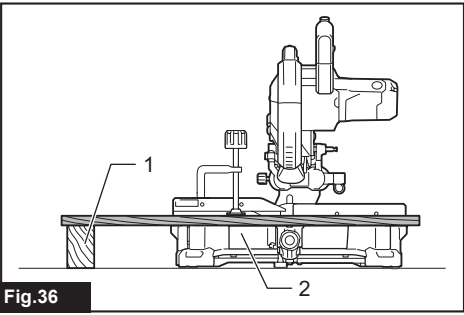


Fig.36

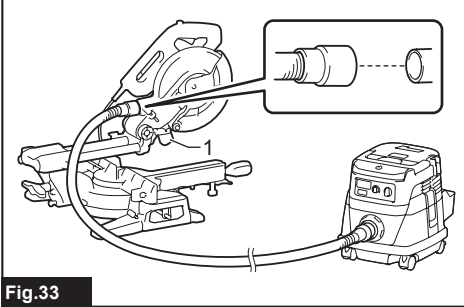


Fig.33

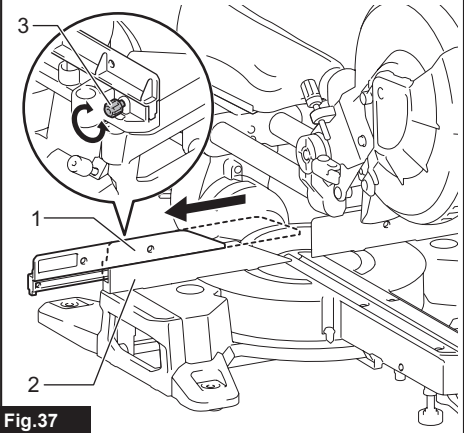


Fig.37

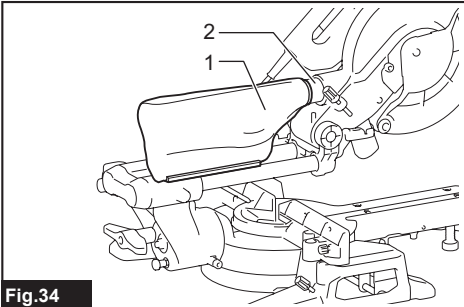


Fig.34

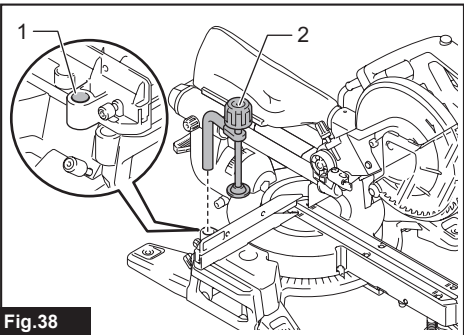


Fig.38

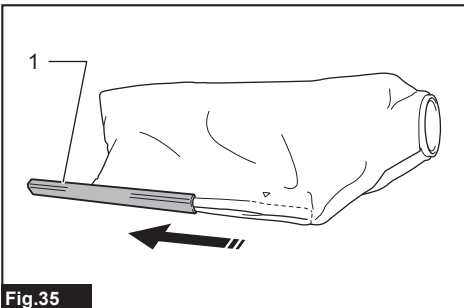


Fig.35

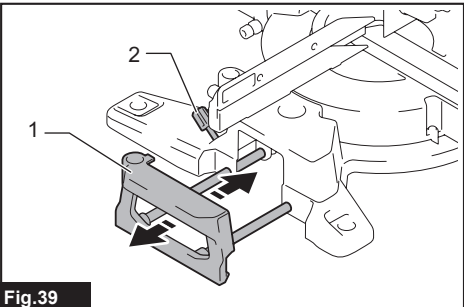


Fig.39

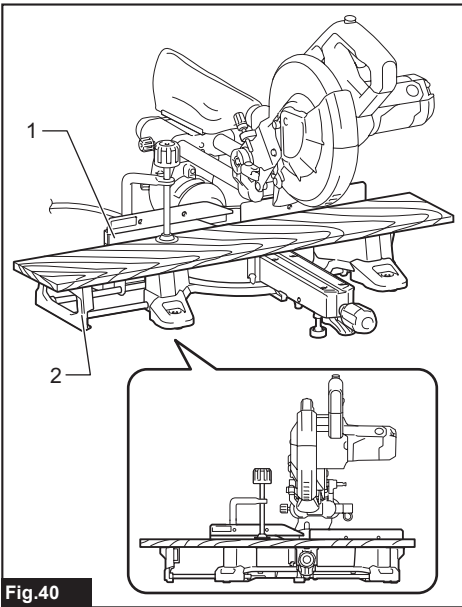


Fig.40

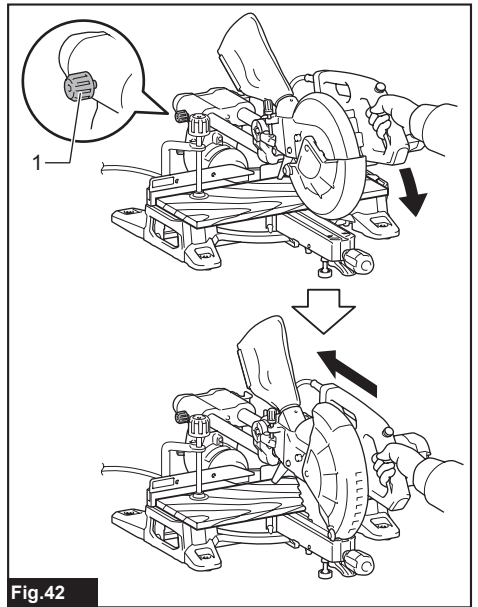


Fig.42

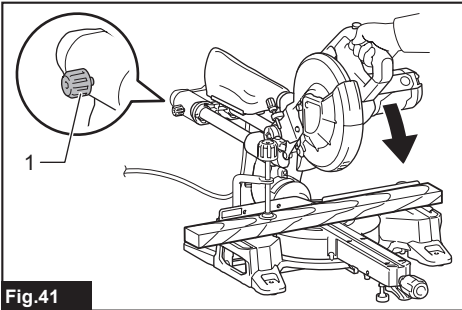


Fig.41

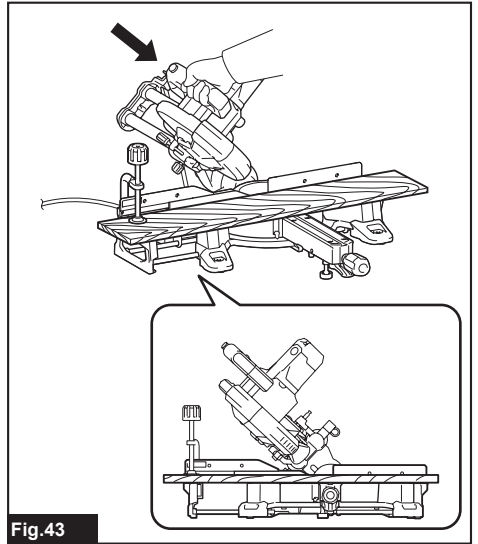


Fig.43

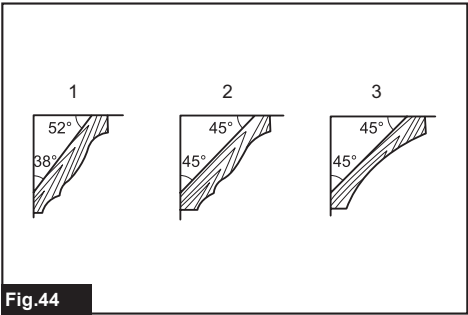


Fig.44

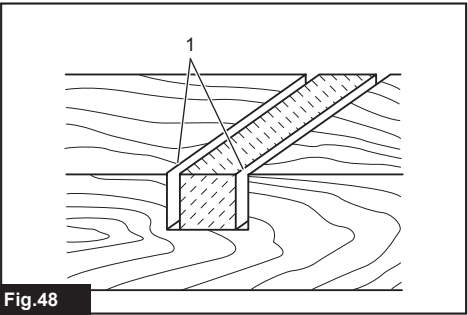


Fig.48

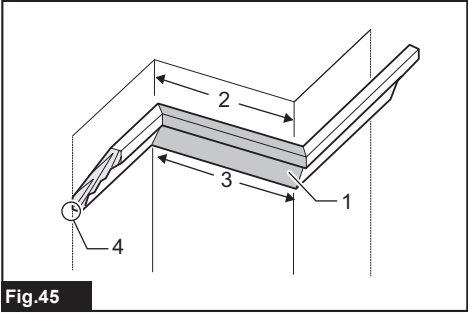


Fig.45

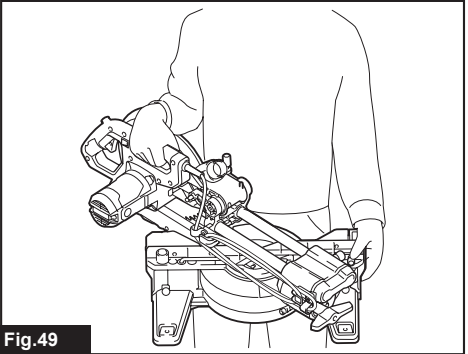


Fig.49

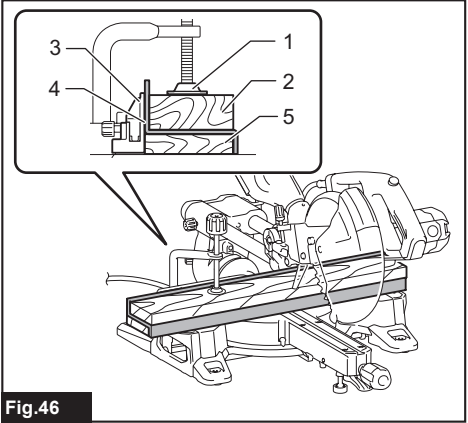


Fig.46

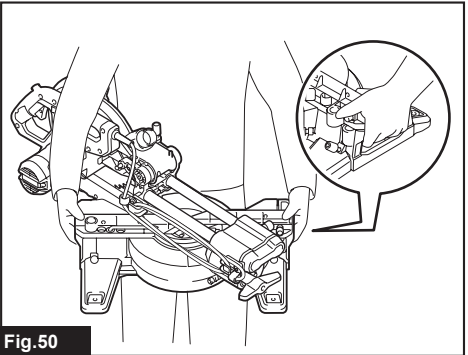


Fig.50

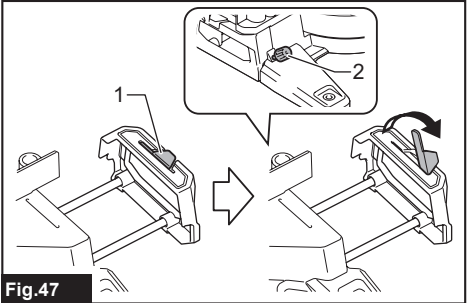


Fig.47

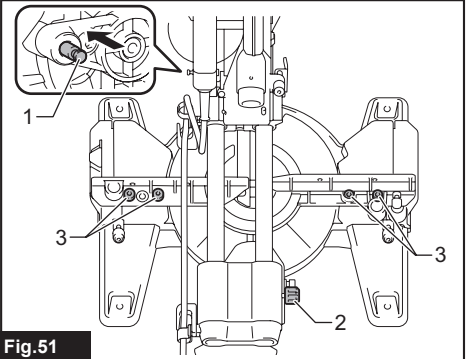


Fig.51

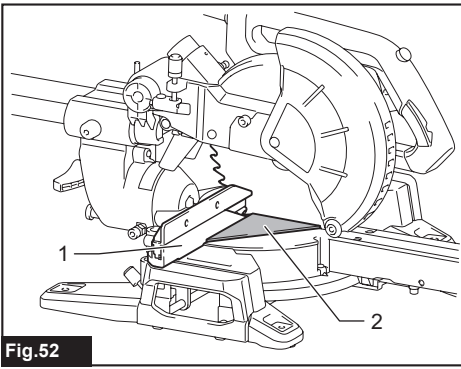


Fig. 52

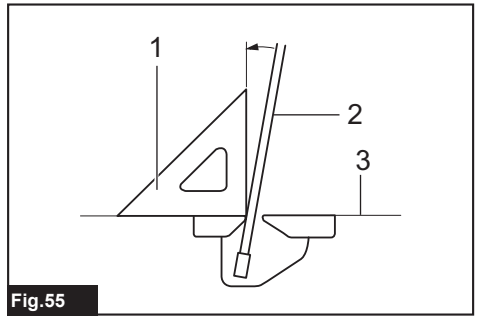


Fig. 55

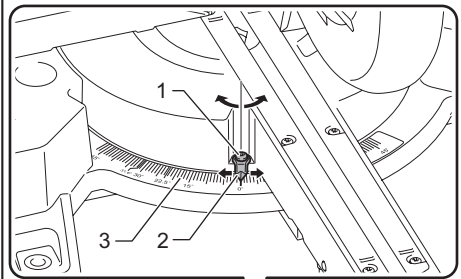


Fig. 53

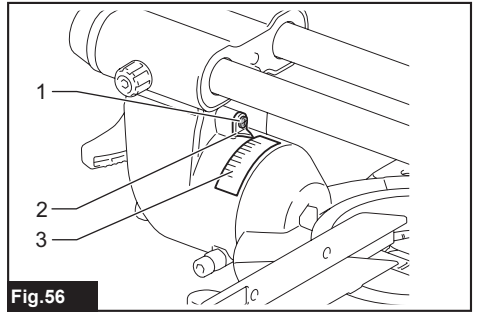


Fig. 56

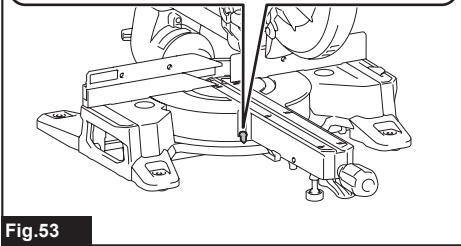


Fig. 54

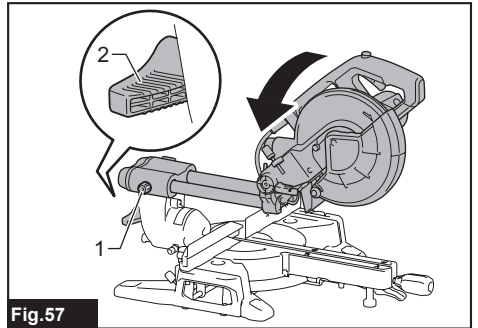


Fig. 57

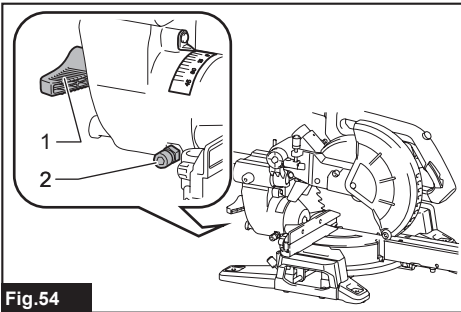


Fig. 58

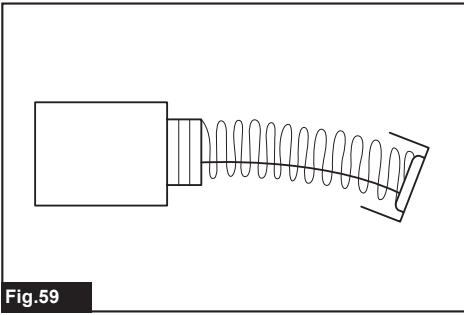


Fig.59

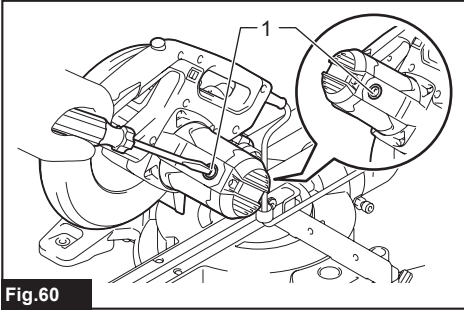


Fig.60

SPECIFICATIONS

Model:		LS1110F
Blade diameter	European countries	260 mm
	Countries other than Europe	255 mm - 260 mm
Hole diameter	European countries	30 mm
	Countries other than Europe	25.4 mm
Max. kerf thickness of the saw blade		3.2 mm
Max. miter angle		Left 47°, Right 47°
Max. bevel angle		Left 47°, Right 2°
No load speed (RPM)		4,500 min ⁻¹
Dimensions (L x W x H)		745 mm x 497 mm x 565 mm
Net weight		16.4 kg
Safety class		□/II

- Due to our continuing program of research and development, the specifications herein are subject to change without notice.
- Specifications may differ from country to country.
- Weight according to EPTA-Procedure 01/2014

Cutting capacities (H x W) with ø 260 mm saw blade

Miter angle	Bevel angle		
	45° (left)	0°	2° (right)
0°	50 mm x 310 mm	91 mm x 310 mm	85 mm x 310 mm
45° (left and right)	50 mm x 220 mm	91 mm x 220 mm	-

Symbols

The followings show the symbols which may be used for the equipment. Be sure that you understand their meaning before use.

	Read instruction manual.
	DOUBLE INSULATION
	Wear safety glasses.
	To avoid injury from flying debris, keep holding the saw head down, after making cuts, until the saw blade has come to a complete stop.
	When performing slide cut, first pull carriage fully and press down handle, then push carriage toward the guide fence.
	Do not place hand or fingers close to the saw blade.
	Adjust sliding fences clear of saw blade and blade guard properly.
	Do not stare at operating lamp.



Only for EU countries
Due to the presence of hazardous components in the equipment, used electrical and electronic equipment may have a negative impact on the environment and human health.

Do not dispose of electrical and electronic appliances with household waste!

In accordance with the European Directive on waste electrical and electronic equipment and its adaptation to national law, used electrical and electronic equipment should be collected separately and delivered to a separate collection point for municipal waste, operating in accordance with the environmental protection regulations.

This is indicated by the symbol of the crossed-out wheeled bin placed on the equipment.

Intended use

The tool is intended for accurate straight and miter cutting in wood. With appropriate saw blades, aluminum can also be sawed. For details, according to the section for OPERATION.

Power supply

The tool should be connected only to a power supply of the same voltage as indicated on the nameplate, and can only be operated on single-phase AC supply. They are double-insulated and can, therefore, also be used from sockets without earth wire.

SAFETY WARNINGS

General power tool safety warnings

⚠ WARNING Read all safety warnings, instructions, illustrations and specifications provided with this power tool. Failure to follow all instructions listed below may result in electric shock, fire and/or serious injury.

Save all warnings and instructions for future reference.

The term "power tool" in the warnings refers to your mains-operated (corded) power tool or battery-operated (cordless) power tool.

Work area safety

1. **Keep work area clean and well lit.** Cluttered or dark areas invite accidents.
2. **Do not operate power tools in explosive atmospheres, such as in the presence of flammable liquids, gases or dust.** Power tools create sparks which may ignite the dust or fumes.
3. **Keep children and bystanders away while operating a power tool.** Distractions can cause you to lose control.

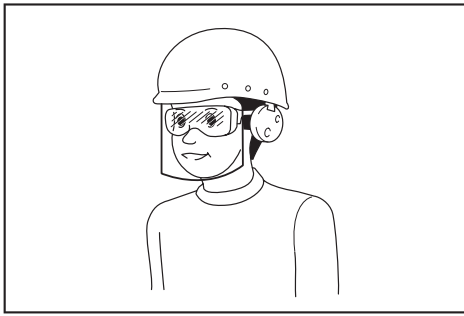
Electrical safety

1. **Power tool plugs must match the outlet. Never modify the plug in any way. Do not use any adapter plugs with earthed (grounded) power tools.** Unmodified plugs and matching outlets will reduce risk of electric shock.
2. **Avoid body contact with earthed or grounded surfaces, such as pipes, radiators, ranges and refrigerators.** There is an increased risk of electric shock if your body is earthed or grounded.
3. **Do not expose power tools to rain or wet conditions.** Water entering a power tool will increase the risk of electric shock.
4. **Do not abuse the cord. Never use the cord for carrying, pulling or unplugging the power tool. Keep cord away from heat, oil, sharp edges or moving parts.** Damaged or entangled cords increase the risk of electric shock.
5. **When operating a power tool outdoors, use an extension cord suitable for outdoor use.** Use of a cord suitable for outdoor use reduces the risk of electric shock.
6. **If operating a power tool in a damp location is unavoidable, use a residual current device (RCD) protected supply.** Use of an RCD reduces the risk of electric shock.

7. **Use of power supply via an RCD with a rated residual current of 30 mA or less is always recommended.**
8. **Power tools can produce electromagnetic fields (EMF) that are not harmful to the user.** However, users of pacemakers and other similar medical devices should contact the maker of their device and/or doctor for advice before operating this power tool.
9. **Do not touch the power plug with wet hands.**
10. **If the cord is damaged, have it replaced by the manufacturer or his agent in order to avoid a safety hazard.**

Personal safety

1. **Stay alert, watch what you are doing and use common sense when operating a power tool. Do not use a power tool while you are tired or under the influence of drugs, alcohol or medication.** A moment of inattention while operating power tools may result in serious personal injury.
2. **Use personal protective equipment. Always wear eye protection.** Protective equipment such as a dust mask, non-skid safety shoes, hard hat or hearing protection used for appropriate conditions will reduce personal injuries.
3. **Prevent unintentional starting. Ensure the switch is in the off-position before connecting to power source and/or battery pack, picking up or carrying the tool.** Carrying power tools with your finger on the switch or energising power tools that have the switch on invites accidents.
4. **Remove any adjusting key or wrench before turning the power tool on.** A wrench or a key left attached to a rotating part of the power tool may result in personal injury.
5. **Do not overreach. Keep proper footing and balance at all times.** This enables better control of the power tool in unexpected situations.
6. **Dress properly. Do not wear loose clothing or jewellery. Keep your hair and clothing away from moving parts.** Loose clothes, jewellery or long hair can be caught in moving parts.
7. **If devices are provided for the connection of dust extraction and collection facilities, ensure these are connected and properly used.** Use of dust collection can reduce dust-related hazards.
8. **Do not let familiarity gained from frequent use of tools allow you to become complacent and ignore tool safety principles.** A careless action can cause severe injury within a fraction of a second.
9. **Always wear protective goggles to protect your eyes from injury when using power tools. The goggles must comply with ANSI Z87.1 in the USA, EN 166 in Europe, or AS/NZS 1336 in Australia/New Zealand. In Australia/New Zealand, it is legally required to wear a face shield to protect your face, too.**



It is an employer's responsibility to enforce the use of appropriate safety protective equipments by the tool operators and by other persons in the immediate working area.

Power tool use and care

1. **Do not force the power tool. Use the correct power tool for your application.** The correct power tool will do the job better and safer at the rate for which it was designed.
2. **Do not use the power tool if the switch does not turn it on and off.** Any power tool that cannot be controlled with the switch is dangerous and must be repaired.
3. **Disconnect the plug from the power source and/or remove the battery pack, if detachable, from the power tool before making any adjustments, changing accessories, or storing power tools.** Such preventive safety measures reduce the risk of starting the power tool accidentally.
4. **Store idle power tools out of the reach of children and do not allow persons unfamiliar with the power tool or these instructions to operate the power tool.** Power tools are dangerous in the hands of untrained users.
5. **Maintain power tools and accessories. Check for misalignment or binding of moving parts, breakage of parts and any other condition that may affect the power tool's operation. If damaged, have the power tool repaired before use.** Many accidents are caused by poorly maintained power tools.
6. **Keep cutting tools sharp and clean.** Properly maintained cutting tools with sharp cutting edges are less likely to bind and are easier to control.
7. **Use the power tool, accessories and tool bits etc. in accordance with these instructions, taking into account the working conditions and the work to be performed.** Use of the power tool for operations different from those intended could result in a hazardous situation.
8. **Keep handles and grasping surfaces dry, clean and free from oil and grease.** Slippery handles and grasping surfaces do not allow for safe handling and control of the tool in unexpected situations.
9. **When using the tool, do not wear cloth work gloves which may be entangled.** The entanglement of cloth work gloves in the moving parts may result in personal injury.

Service

1. **Have your power tool serviced by a qualified repair person using only identical replacement parts.** This will ensure that the safety of the power tool is maintained.
2. **Follow instruction for lubricating and changing accessories.**

Safety instructions for mitre saws

1. **Mitre saws are intended to cut wood or wood-like products, they cannot be used with abrasive cut-off wheels for cutting ferrous material such as bars, rods, studs, etc.** Abrasive dust causes moving parts such as the lower guard to jam. Sparks from abrasive cutting will burn the lower guard, the kerf insert and other plastic parts.
2. **Use clamps to support the workpiece whenever possible. If supporting the workpiece by hand, you must always keep your hand at least 100 mm from either side of the saw blade. Do not use this saw to cut pieces that are too small to be securely clamped or held by hand.** If your hand is placed too close to the saw blade, there is an increased risk of injury from blade contact.
3. **The workpiece must be stationary and clamped or held against both the fence and the table. Do not feed the workpiece into the blade or cut "freehand" in any way.** Unrestrained or moving workpieces could be thrown at high speeds, causing injury.
4. **Push the saw through the workpiece. Do not pull the saw through the workpiece. To make a cut, raise the saw head and pull it out over the workpiece without cutting, start the motor, press the saw head down and push the saw through the workpiece.** Cutting on the pull stroke is likely to cause the saw blade to climb on top of the workpiece and violently throw the blade assembly towards the operator.
5. **Never cross your hand over the intended line of cutting either in front or behind the saw blade.** Supporting the workpiece "cross handed" i.e. holding the workpiece to the right of the saw blade with your left hand or vice versa is very dangerous.
 - Fig.1
6. **Do not reach behind the fence with either hand closer than 100 mm from either side of the saw blade, to remove wood scraps, or for any other reason while the blade is spinning.** The proximity of the spinning saw blade to your hand may not be obvious and you may be seriously injured.
7. **Inspect your workpiece before cutting. If the workpiece is bowed or warped, clamp it with the outside bowed face toward the fence. Always make certain that there is no gap between the workpiece, fence and table along the line of the cut.** Bent or warped workpieces can twist or shift and may cause binding on the spinning saw blade while cutting. There should be no nails or foreign objects in the workpiece.

8. **Do not use the saw until the table is clear of all tools, wood scraps, etc., except for the workpiece.** Small debris or loose pieces of wood or other objects that contact the revolving blade can be thrown with high speed.
 9. **Cut only one workpiece at a time.** Stacked multiple workpieces cannot be adequately clamped or braced and may bind on the blade or shift during cutting.
 10. **Ensure the mitre saw is mounted or placed on a level, firm work surface before use.** A level and firm work surface reduces the risk of the mitre saw becoming unstable.
 11. **Plan your work. Every time you change the bevel or mitre angle setting, make sure the adjustable fence is set correctly to support the workpiece and will not interfere with the blade or the guarding system.** Without turning the tool "ON" and with no workpiece on the table, move the saw blade through a complete simulated cut to assure there will be no interference or danger of cutting the fence.
 12. **Provide adequate support such as table extensions, saw horses, etc. for a workpiece that is wider or longer than the table top.** Workpieces longer or wider than the mitre saw table can tip if not securely supported. If the cut-off piece or workpiece tips, it can lift the lower guard or be thrown by the spinning blade.
 13. **Do not use another person as a substitute for a table extension or as additional support.** Unstable support for the workpiece can cause the blade to bind or the workpiece to shift during the cutting operation pulling you and the helper into the spinning blade.
 14. **The cut-off piece must not be jammed or pressed by any means against the spinning saw blade.** If confined, i.e. using length stops, the cut-off piece could get wedged against the blade and thrown violently.
 15. **Always use a clamp or a fixture designed to properly support round material such as rods or tubing.** Rods have a tendency to roll while being cut, causing the blade to "bite" and pull the work with your hand into the blade.
 16. **Let the blade reach full speed before contacting the workpiece.** This will reduce the risk of the workpiece being thrown.
 17. **If the workpiece or blade becomes jammed, turn the mitre saw off. Wait for all moving parts to stop and disconnect the plug from the power source and/or remove the battery pack. Then work to free the jammed material.** Continued sawing with a jammed workpiece could cause loss of control or damage to the mitre saw.
 18. **After finishing the cut, release the switch, hold the saw head down and wait for the blade to stop before removing the cut-off piece.** Reaching with your hand near the coasting blade is dangerous.
 19. **Hold the handle firmly when making an incomplete cut or when releasing the switch before the saw head is completely in the down position.** The braking action of the saw may cause the saw head to be suddenly pulled downward, causing a risk of injury.
 20. **Only use the saw blade with the diameter that is marked on the tool or specified in the manual.** Use of an incorrectly sized saw blade may affect the proper guarding of the saw blade or guard operation which could result in serious personal injury.
 21. **Only use the saw blades that are marked with a speed equal or higher than the speed marked on the tool.**
 22. **Do not use the saw to cut materials other than specified.**
 23. **(For European countries only) Always use the blade which conforms to EN847-1, if intended for wood and analogous materials.**
- Additional instructions**
1. **Make workshop kid proof with padlocks.**
 2. **Never stand on the tool.** Serious injury could occur if the tool is tipped or if the cutting tool is unintentionally contacted.
 3. **Never leave the tool running unattended. Turn the power off. Do not leave tool until it comes to a complete stop.**
 4. **Do not operate saw without guards in place. Check blade guard for proper closing before each use. Do not operate saw if blade guard does not move freely and close instantly. Never clamp or tie the blade guard into the open position.**
 5. **Keep hands out of path of saw blade. Avoid contact with any coasting saw blade. It can still cause severe injury.**
 6. **To reduce the risk of injury, return carriage to the full rear position after each crosscut operation.**
 7. **Always secure all moving portions before carrying the tool.**
 8. **Stopper pin or stopper lever which locks the saw head down is for carrying and storage purposes only and not for any cutting operations.**
 9. **Check the saw blade carefully for cracks or damage before operation. Replace cracked or damaged saw blade immediately. Gum and wood pitch hardened on saw blades slows saw and increases potential for kickback. Keep saw blade clean by first removing it from tool, then cleaning it with gum and pitch remover, hot water or kerosene. Never use gasoline to clean saw blade.**

10. While making a slide cut, KICKBACK can occur. KICKBACK occurs when the saw blade binds in the workpiece during a cutting operation and the saw blade is driven rapidly towards the operator. Loss of control and serious personal injury can result. If saw blade begins to bind during a cutting operation, do not continue to cut and release switch immediately.
11. Use only flanges specified for this tool.
12. Be careful not to damage the arbor, flanges (especially the installing surface) or bolt. Damage to these parts could result in saw blade breakage.
13. Make sure that the turn base is properly secured so it will not move during operation. Use the holes in the base to fasten the saw to a stable work platform or bench. NEVER use tool where operator positioning would be awkward.
14. Make sure the shaft lock is released before the switch is turned on.
15. Be sure that the saw blade does not contact the turn base in the lowest position.
16. Hold the handle firmly. Be aware that the saw moves up or down slightly during start-up and stopping.
17. Make sure the saw blade is not contacting the workpiece before the switch is turned on.
18. Before using the tool on an actual workpiece, let it run for a while. Watch for vibration or wobbling that could indicate poor installation or a poorly balanced saw blade.
19. Stop operation immediately if you notice anything abnormal.
20. Do not attempt to lock the trigger in the "ON" position.
21. Always use accessories recommended in this manual. Use of improper accessories such as abrasive wheels may cause an injury.
22. Some material contains chemicals which may be toxic. Take caution to prevent dust inhalation and skin contact. Follow material supplier safety data.

Additional safety rules for operating lamp

1. Do not look in the light or see the source of light directly.

SAVE THESE INSTRUCTIONS.

⚠WARNING: DO NOT let comfort or familiarity with product (gained from repeated use) replace strict adherence to safety rules for the subject product. MISUSE or failure to follow the safety rules stated in this instruction manual may cause serious personal injury.

PARTS DESCRIPTION

► Fig.2

1	Adjusting screw (for lower limit position)	2	Stopper arm	3	Dust bag	4	Thumb screw (for carriage sliding)
5	Pointer (for bevel angle)	6	Bevel angle scale	7	Slide pole	8	Vertical vise
9	Sliding fence	10	0° adjusting bolt (for bevel angle)	11	Guide fence	12	Sub base
13	Turn base	14	Miter angle scale	15	Pointer (for miter angle)	16	Kerf board
17	Adjusting bolt (for turn base)	18	Lock lever (for turn base)	19	Grip (for turn base)	20	Dust collecting guard
21	Blade guard	22	Lamp	23	Handle (for operation)	24	Switch trigger
25	Hole for padlock	26	Lock-off button	27	Carry handle	-	-

► Fig.3

1	Lamp switch	2	Shaft lock	3	Adjusting bolt (for maximum cutting capacity)	4	Stopper pin (for carriage elevation)
5	Set plate	6	Hex wrench	7	45° adjusting bolt (for bevel angle)	8	Lever (for bevel angle)
9	Releasing button (for bevel angle)	-	-	-	-	-	-

INSTALLATION

Bench mounting

▲WARNING: Ensure that the tool does not move on the supporting surface. Movement of the miter saw on the supporting surface while cutting may result in loss of control and serious personal injury.

1. Fix the base to a level and stable surface, screwing with the bolts. This helps to prevent from tipping and possible injury.

► Fig.4: 1. Bolt 2. Mounting hole

2. Turn the adjusting bolt clockwise or counterclockwise so that it comes into a contact with the floor surface to keep the tool stable.

► Fig.5: 1. Adjusting bolt

FUNCTIONAL DESCRIPTION

▲WARNING: Always be sure that the tool is switched off and unplugged before adjusting or checking function on the tool. Failure to switch off and unplug the tool may result in serious personal injury from accidental start-up.

Handle lock

▲CAUTION: Always hold the handle when releasing the stopper pin. Otherwise the handle springs up and it may result in personal injury.

When the tool is shipped, the handle is locked in the lowered position with the stopper pin. To unlock the handle, pull the stopper pin while lowering the handle slightly.

► Fig.6: 1. Stopper pin

Slide lock

To allow the sliding movement of the carriage, loosen thumb screw on the arm. To lock the sliding movement of the carriage, move the carriage to your desired position, and then tighten the thumb screw securely.

► Fig.7: 1. Thumb screw 2. Arm

Blade guard

▲WARNING: Never defeat or remove the blade guard or the spring which is attached to the guard. An exposed circular saw blade as a result of defeated guarding may result in serious personal injury during operation.

▲WARNING: Never use the tool if the blade guard or spring is damaged, faulty or removed. Operation of the tool with a damaged, faulty or removed guard may result in serious personal injury.

▲CAUTION: Always maintain the blade guard in good condition for safe operation. Stop the operation immediately if there are any irregularity of the blade guard. Check to assure spring loaded return action of guard.

When lowering the handle, the blade guard raises automatically. The guard is spring loaded so it returns to its original position when the cut is completed and the handle is raised.

► Fig.8: 1. Blade guard

Cleaning

If the transparent blade guard becomes dirty, or sawdust adheres to the transparent blade guard in such a way that the circular saw blade and/or workpiece is no longer easily visible, unplug the tool and clean the guard carefully with a damp cloth. Do not use solvents or any petroleum-based cleaners on the plastic guard because this may cause damage to the guard. Follow the step-by-step instructions listed on how to prepare for cleaning.

1. Make sure that the tool is switched off and unplugged.

2. Turn the hex socket bolt counterclockwise using the supplied hex wrench with holding the center cover.

3. Raise the blade guard and center cover.

4. When cleaning is complete, return the center cover and tighten the hex socket bolt by performing the steps above in reverse.

► Fig.9: 1. Hex wrench 2. Hex socket bolt 3. Center cover 4. Blade guard

▲WARNING: Do not remove spring holding blade guard. If guard becomes damaged in course of time or UV light exposure, contact a Makita service center for replacement. **DO NOT DEFEAT OR REMOVE GUARD.**

Positioning kerf boards

This tool is provided with the kerf boards in the turn base to minimize tearing on the exit side of a cut. The kerf boards are factory adjusted so that the circular saw blade does not contact the kerf boards. Before use, adjust the kerf boards as follows:

1. Make sure that the tool is unplugged. Then, loosen all the screws (three each on left and right) securing the kerf boards.

► Fig.10: 1. Kerf board 2. Screw

2. Re-tighten them only to the extent that the kerf boards can still be easily moved by hand.

3. Lower the handle fully, then lock the handle in the lowered position with the stopper pin.

4. Loosen thumb screw on the arm which secures the sliding movement of the carriage.

Pull the carriage toward you fully.

► Fig.11: 1. Thumb screw 2. Arm

5. Adjust the kerf boards so that they are close to the sides of the saw blade teeth.

► Fig.12

► Fig.13: 1. Circular saw blade 2. Blade teeth 3. Kerf board 4. Left bevel cut 5. Straight cut

6. Tighten the front screws (do not tighten firmly).

7. Slide the carriage to the position between the front end of the kerf boards and guide fences. Adjust the kerf boards so that they are close to the sides of the saw blade teeth.

8. Tighten the center screws (do not tighten firmly).

9. Push the carriage toward the guide fences fully and then adjust the kerf boards so that they are close to the sides of the saw blade teeth.

10. Tighten the rear screws (do not tighten firmly).

11. Release the stopper pin for handle lock and raise the handle. Then tighten all the screws securely.

NOTICE: After setting the bevel angle, ensure that the kerf boards are adjusted properly. Correct adjustment of the kerf boards helps to provide proper support of the workpiece and minimizing workpiece tear out.

Maintaining maximum cutting capacity

This tool is factory adjusted to provide the maximum cutting capacity for a 260 mm circular saw blade. When installing a new circular saw blade, always check the lower limit position of the circular saw blade, and if necessary, adjust it as follows:

1. Unplug the tool. Then, push the carriage toward the guide fence fully and lower the handle completely.

2. Use the hex wrench (screwdriver side) to turn the adjusting bolt until the circular saw blade comes slightly below the cross section of the guide fence and the top surface of the turn base.

► Fig.14: 1. Adjusting bolt 2. Guide fence

► Fig.15

3. Rotate the circular saw blade by hand while holding the handle all the way down to be sure that the circular saw blade does not contact any part of the lower base. Re-adjust the maximum cutting capacity, if necessary.

WARNING: After installing a new circular saw blade and with the tool is unplugged, always be sure that the circular saw blade does not contact any part of the lower base when the handle is lowered completely. If the circular saw blade contacts with the base, it may cause kickback and result in serious personal injury.

► Fig.16

Stopper arm

The lower limit position of the saw blade can be easily adjusted with the stopper arm. To adjust the lower limit, turn the stopper arm in the direction of the arrow as shown in the figure. Turn the adjusting screw so that the saw blade stops at the desired position when lowering the handle fully.

► Fig.17: 1. Stopper arm 2. Adjusting screw

Adjusting the miter angle

CAUTION: After changing the miter angle, always secure the turn base by tightening the grip firmly.

NOTICE: When turning the turn base, be sure to raise the handle fully.

Rotate the grip counterclockwise to unlock the turn base. Turn the grip while holding up the lock lever to move the turn base. Align the pointer with your desired angle in the miter angle scale then tighten the grip.

► Fig.18: 1. Lock lever 2. Grip 3. Pointer

Positive stop function

This miter saw employs positive stop function. You can set 0°, 15°, 22.5°, 31.6°, and 45° right/left miter angle quickly. To use this function, move the turn base close to your desired positive stop angle while holding up the lock lever. Then release the lock lever and move the turn base to your desired positive stop angle until the turn base is locked.

Adjusting the bevel angle

CAUTION: After changing the bevel angle, always secure the arm by tightening the lever clockwise.

NOTICE: Always remove vertical vise before adjusting the bevel angle.

NOTICE: When tilting the circular saw blade, be sure that the carriage is fully raised.

NOTICE: When changing bevel angles, be sure to reposition the kerf boards appropriately as explained in the section for positioning kerf boards.

NOTICE: Do not tighten the lever too hard. Doing so may cause malfunction of the locking mechanism of the bevel angle.

Tilting the circular saw blade to the left 0° - 45°

1. Rotate the lever counterclockwise.
2. Hold the handle and tilt the carriage to the left.
3. Align the pointer with your desired angle in the bevel angle scale.
4. Tighten the lever clockwise to secure the arm.

► Fig.19: 1. Lever 2. Handle 3. Pointer 4. Bevel angle scale

Tilting the circular saw blade beyond the left 0° - 45°

1. Rotate the lever counterclockwise.
2. Hold the handle and set the carriage at 0° for right 2° side, or 45° for left 47° side.
3. Tilt the carriage slightly to opposite side.
4. Push the releasing button.
5. Tilt the carriage to the desired position beyond the range 0° - 45°.
6. Tighten the lever clockwise to secure the arm.

When tilting the carriage to the right 2°

- Fig.21: 1. Lever 2. Handle 3. Releasing button

When tilting the carriage to the left 47°

- Fig.21: 1. Lever 2. Handle 3. Releasing button

Switch action

⚠ WARNING: Before plugging in the tool, always check to see that the switch trigger actuates properly and returns to the "OFF" position when released. Do not pull the switch trigger hard without pressing in the lock-off button. This can cause switch breakage. Operating a tool with a switch that does not actuate properly can lead to loss of control and serious personal injury.

⚠ WARNING: NEVER use tool without a fully operative switch trigger. Any tool with an inoperative switch is HIGHLY DANGEROUS and must be repaired before further usage or serious personal injury may occur.

⚠ WARNING: NEVER defeat the lock-off button by taping down or some other means. A switch with a negated lock-off button may result in unintentional operation and serious personal injury.

⚠ WARNING: NEVER use the tool if it runs when you simply pull the switch trigger without pressing the lock-off button. A switch in need of repair may result in unintentional operation and serious personal injury. Return tool to a Makita service center for proper repairs BEFORE further usage.

To prevent the switch trigger from being accidentally pulled, a lock-off button is provided. To start the tool, press in the lock-off button and pull the switch trigger. Release the switch trigger to stop.

A hole is provided in the switch trigger for insertion of a padlock to lock the tool off.

- Fig.22: 1. Switch trigger 2. Lock-off button 3. Hole for padlock

⚠ WARNING: Do not use a lock with a shank or cable any smaller than 6.35 mm in diameter. A smaller shank or cable may not properly lock the tool in the off position and unintentional operation may occur resulting in serious personal injury.

Casting a cutting line

⚠ CAUTION: The lamp is not a rainproof. Do not wash the lamp in water or use it in a rain or a wet area. Such a conduct can cause an electric shock and fume.

⚠ CAUTION: Do not touch the lens of the lamp as it is very hot while it is lighted or shortly after it is turned off. This may cause burns.

⚠ CAUTION: Do not apply impact to the lamp, which may cause damage or shortened service time to it.

⚠ CAUTION: Do not look in the light or see the source of light directly.

The LED lamp casts a light over the circular saw blade, and a shadow of the saw blade falls onto a workpiece serving as a calibration-free cutting line indicator. Press the lamp switch to shed a light. A line appears in which the saw blade will meet the surface of the workpiece, becoming deepened as the saw blade gets lowered.

- Fig.23: 1. Lamp switch 2. Lamp 3. Cutting line

The indicator helps cut through an existing cut-off line penciled on a workpiece.

1. Hold the handle and lower the circular saw blade so a dense shadow of the saw blade is thrown against a workpiece.
2. Align a cut-off line drawn on the workpiece with the shadowed cutting line.
3. Adjust the miter angles and bevel angles if necessary.

NOTE: Be sure to turn off the lamp switch after use. Otherwise the lamp stays hot.

Electronic function

Soft start feature

This function allows the smooth start-up of the tool by limiting the start-up torque.

ASSEMBLY

⚠ WARNING: Always be sure that the tool is switched off and unplugged before working on the tool. Failure to switch off and unplug the tool may result in serious personal injury.

Hex wrench storage

When not in use, store the hex wrench as shown in the figure to keep it from being lost.

- Fig.24: 1. Hex wrench

Installing or removing circular saw blade

⚠ WARNING: Always be sure that the tool is switched off and unplugged before removing and installing the circular saw blade. Accidental startup of the tool may result in serious personal injury.

⚠ WARNING: Use only the Makita wrench provided to remove and install the circular saw blade. Failure to use the wrench may result in overtightening or insufficient tightening of the hex socket bolt and serious personal injury.

⚠ WARNING: Never use or substitute the parts which are not supplied with this tool. Using such parts can cause serious personal injury.

⚠ WARNING: After installing the circular saw blade, always make sure that it is securely installed. Loose attachment of the circular saw blade can cause serious personal injury.

Common preparations for installing or removing the circular saw blade

1. Unlock the carriage by pulling the stopper pin, then move the carriage to the raised position.
2. Loosen the hex socket bolt holding the center cover using the hex wrench. Then, raise the blade guard and center cover.
▶ **Fig.25:** 1. Hex wrench 2. Hex socket bolt 3. Center cover 4. Blade guard

Installing the circular saw blade

⚠ CAUTION: Make sure to install the circular saw blade so that the direction of the arrow on the circular saw blade matches that on the blade case. Failure to do so may result in personal injury and cause damage to the tool and/or the workpiece.

1. Complete the steps in the "Common preparations for installing or removing the circular saw blade".
2. Press the shaft lock to lock the spindle and use the hex wrench to loosen the hex socket bolt clockwise. Then remove the hex socket bolt and outer flange.
▶ **Fig.26:** 1. Hex socket bolt (left-handed) 2. Outer flange 3. Shaft lock
3. Mount the circular saw blade carefully onto the inner flange. Make sure that the direction of the arrow on the circular saw blade matches the direction of the arrow on the blade case.
▶ **Fig.27:** 1. Arrow
4. Install the outer flange and hex socket bolt. Tighten the hex socket bolt (left-handed) counterclockwise securely using the hex wrench while pressing the shaft lock.
▶ **Fig.28:** 1. Hex socket bolt (left-handed) 2. Outer flange 3. Circular saw blade 4. Ring 5. Inner flange 6. Spindle
▶ **Fig.29:** 1. Hex socket bolt (left-handed) 2. Outer flange 3. Shaft lock

5. Return the blade guard and center cover to its original position. Then tighten the hex socket bolt of the center cover to secure it.

Lower the carriage and check that the blade guard moves properly.

▶ **Fig.30:** 1. Hex wrench 2. Hex socket bolt 3. Center cover 4. Blade guard

Removing the circular saw blade

1. Complete the steps in the "Common preparations for installing or removing the circular saw blade".
2. Press the shaft lock to lock the spindle. Loosen the hex socket bolt clockwise using the hex wrench. Then remove the hex socket bolt, outer flange and circular saw blade.
▶ **Fig.31:** 1. Hex socket bolt (left-handed) 2. Outer flange 3. Shaft lock
3. If the inner flange is removed, install it on the spindle with its blade mounting part facing the circular saw blade. If the flange is installed incorrectly, the flange will rub against the machine.
▶ **Fig.32:** 1. Hex socket bolt (left-handed) 2. Outer flange 3. Circular saw blade 4. Ring 5. Inner flange 6. Spindle

NOTICE: Be careful not to lose the removed outer flange and hex socket bolt.

Connecting a vacuum cleaner

When you wish to perform clean cutting operation, connect a Makita vacuum cleaner.

NOTICE: Depending on the type of vacuum cleaner and hose used, the dust collecting port may be blocked by the dust collecting guard, making it impossible to collect dust. In that case, weaken the suction power of the vacuum cleaner.

▶ **Fig.33:** 1. Dust collecting guard

Dust bag

⚠ CAUTION: When performing a cutting, always attach the dust bag or connect a vacuum cleaner to prevent dust-related hazards.

The use of the dust bag makes cutting operations clean and dust collection easy. To attach the dust bag, connect the dust bag to the dust nozzle.

▶ **Fig.34:** 1. Dust bag 2. Dust nozzle

When the dust bag is about half full, remove the dust bag from the tool and pull the fastener out. Empty the dust bag of its contents, tapping it lightly so as to remove particles adhering to the insides which might hamper further collection.

▶ **Fig.35:** 1. Fastener

Securing workpiece

⚠ WARNING: It is extremely important to always secure the workpiece correctly with the proper type of vise. Failure to do so may result in serious personal injury and cause damage to the tool and/or the workpiece.

⚠ WARNING: After a cutting operation, do not raise the saw blade until it has come to a complete stop. The raising of a coasting saw blade may result in serious personal injury and damage to the workpiece.

⚠ WARNING: When cutting a workpiece that is longer than the support base of the miter saw, the material should be supported the entire length beyond the support base and at the same height to keep the material level. Proper workpiece support will help avoid blade pinch and possible kickback which may result in serious personal injury. Do not rely solely on the vertical vise to secure the workpiece. Thin material tends to sag. Support workpiece over its entire length to avoid blade pinch and possible KICKBACK.

► Fig.36: 1. Support 2. Turn base

Guide fences

⚠ WARNING: Before operating the tool, make sure that the sliding fence is secured with the clamping screw firmly.

⚠ WARNING: Before bevel-cutting, make sure that no part of the tool, especially the circular saw blade, contacts the fences when fully lowering and raising the handle in any position and while moving the carriage through its full range of travel. If the tool or circular saw blade makes contact with the fence, this may result in kickback or unexpected movement of the material and serious personal injury.

This tool is equipped with the sliding fence. When performing left bevel cuts, loosen the clamping screw and move the sliding fence so that it does not hinder the carriage movement. Secure the sliding fence by tightening the clamping screw.

► Fig.37: 1. Sliding fence 2. Guide fence 3. Clamping screw

Vertical vise

⚠ WARNING: The workpiece must be secured firmly against the turn base and guide fence with the vise during all operations. If the workpiece is not properly secured against the fence, the material may move during the cutting operation causing possible damage to the saw blade, causing the material to be thrown and loss of control resulting in serious personal injury.

The vertical vise can be installed into the holes on the left side of the base, right side of the base, or left side of the sub base.

Press the workpiece flat against the guide fence and the turn base. Position the workpiece at the desired cutting position and secure it firmly by tightening the vise knob. Make sure that no part of the tool contacts the vertical vise when lowering the handle all the way. If some part contacts the vertical vise, re-position the vertical vise.

► Fig.38: 1. Hole 2. Vise knob

Sub base

⚠ WARNING: Always support a long workpiece so it is level with the top surface of the turn base for an accurate cut and to prevent dangerous loss of tool control. Proper workpiece support will help avoid blade pinch and possible kickback which may result in serious personal injury.

⚠ WARNING: Before the cutting operation, always be sure that the sub bases are secured by the thumb screws.

To hold long workpieces horizontally, sub bases are provided on both sides of the tool. Loosen the thumb screws and extend the sub bases to the appropriate length for holding the workpiece. Then tighten the thumb screws.

► Fig.39: 1. Sub base 2. Thumb screw

When cutting, place the workpiece flat against the guide fences.

► Fig.40: 1. Guide fence 2. Sub base

OPERATION

This tool is intended to cut wood products. With appropriate Makita genuine saw blades, following materials can also be sawed :

— Aluminum products

Refer to our website or contact your local Makita dealer for the correct circular saw blades to be used for the material to be cut.

⚠ WARNING: Make sure the saw blade is not contacting the workpiece, etc. before the switch is turned on. Turning the tool on with the saw blade in contact with the workpiece may result in kickback and serious personal injury.

⚠ WARNING: After a cutting operation, do not raise the saw blade until it has come to a complete stop. The raising of a coasting saw blade may result in serious personal injury and damage to the workpiece.

⚠ WARNING: Do not perform any adjustment such as turning grip, knob, and levers on the tool while the saw blade is rotating. Adjustment while the saw blade is rotating may result in serious personal injury.

⚠ CAUTION: Do not release the saw head uncontrolled from the fully down position. Uncontrolled saw head may hit you and it will result in personal injury.

NOTICE: Before use, be sure to unlock the stopper pin and release the handle from the lowered position.

NOTICE: Do not apply excessive pressure on the handle when cutting. Too much force may result in overload of the motor and/or decreased cutting efficiency. Press down handle with only as much force as necessary for smooth cutting and without significant decrease in blade speed.

NOTICE: Gently press down the handle to perform the cut. If the handle is pressed down with force or if lateral force is applied, the saw blade may vibrate and leave a mark (saw mark) in the workpiece and the precision of the cut may be impaired.

NOTICE: During a slide cut, gently push the carriage toward the guide fence without stopping. If the carriage movement is stopped during the cut, a mark will be left in the workpiece and the precision of the cut will be impaired.

Press cutting

WARNING: Always lock the sliding movement of the carriage when performing a press cutting. Cutting without lock may cause possible kickback which may result in serious personal injury.

Workpieces up to 91 mm high and 90 mm wide can be cut in the following manner.

1. Push the carriage toward the guide fence until it stops and lock it with the thumb screw.
2. Secure the workpiece with the proper type of vise.
3. Switch on the tool without the circular saw blade making any contact and wait until the circular saw blade attains full speed before lowering.
4. Gently lower the handle to the fully lowered position to cut the workpiece.
5. When the cut is completed, switch off the tool and wait until the circular saw blade has come to a complete stop before returning the circular saw blade to its fully elevated position.

► Fig.41: 1. Thumb screw

Slide (push) cutting (cutting wide workpieces)

WARNING: Whenever performing a slide cut, first pull the carriage full towards you and press the handle all the way down, then push the carriage toward the guide fence. Never start the cut with the carriage not pulled fully toward you. If you perform the slide cut without the carriage pulled fully toward you, unexpected kickback may occur and serious personal injury may result.

WARNING: Never attempt to perform a slide cut by pulling the carriage towards you. Pulling the carriage towards you while cutting may cause unexpected kickback resulting in possible serious personal injury.

WARNING: Never perform the slide cut with the handle locked in the lowered position.

1. Loosen the thumb screw so that the carriage can slide freely.
2. Secure the workpiece with the proper type of vise.
3. Pull the carriage toward you fully.
4. Switch on the tool without the circular saw blade making any contact and wait until the saw blade attains full speed.
5. Press the handle down and push the carriage toward the guide fence and through the workpiece.
6. When the cut is completed, switch off the tool and wait until the saw blade has come to a complete stop before returning the saw blade to its fully elevated position.

► Fig.42: 1. Thumb screw

Miter cutting

Refer to the section for adjusting the miter angle.

Bevel cut

WARNING: After setting the saw blade for a bevel cut, ensure that the carriage and saw blade will have free travel throughout the entire range of the intended cut before operating the tool. Interruption of the carriage or blade travel during the cutting operation may result in kickback and serious personal injury.

WARNING: While making a bevel cut, keep hands out of the path of the saw blade. The angle of the saw blade may confuse the operator as to the actual blade path while cutting and contact with the saw blade will result in serious personal injury.

WARNING: The saw blade should not be raised until it has come to a complete stop. During a bevel cut, the piece cut off may come to rest against the saw blade. If the saw blade is raised while it is rotating, the cut-off piece may be ejected by the saw blade causing the material to fragment which may result in serious personal injury.

NOTICE: When pressing down the handle, apply pressure in parallel with the saw blade. If a force is applied perpendicularly to the turn base or if the pressure direction is changed during a cut, the precision of the cut will be impaired.

1. Set the sliding fence on the left to prevent the carriage from contacting.
2. Unlock the stopper pin and loosen thumb screw on the arm so that the carriage can be elevated and slid freely.
3. Adjust the bevel angle according to the procedure explained in the section for bevel angle adjustment. Then tighten the grip.
4. Secure the workpiece with a vise.
5. Pull the carriage toward you fully.
6. Switch on the tool without the circular saw blade making any contact and wait until the circular saw blade attains full speed.
7. Gently lower the handle to the fully lowered position while applying pressure in parallel with the circular saw blade and **push the carriage toward the guide fence to cut the workpiece.**
8. When the cut is completed, switch off the tool and **wait until the circular saw blade has come to a complete stop** before returning the saw blade to its fully elevated position.

► Fig.43

Compound cutting

Compound cutting is the process in which a bevel angle is made at the same time in which a miter angle is being cut on a workpiece. Compound cutting can be performed at the angle shown in the table.

Miter angle	Bevel angle
Left and Right 0° - 45°	Left 0° - 45°

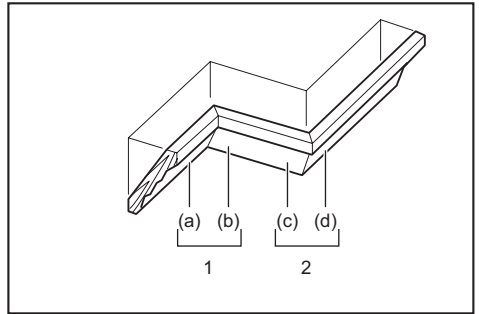
When performing compound cutting, refer to the section for press cutting, slide (push) cutting, miter cutting and bevel cut.

Cutting crown and cove moldings

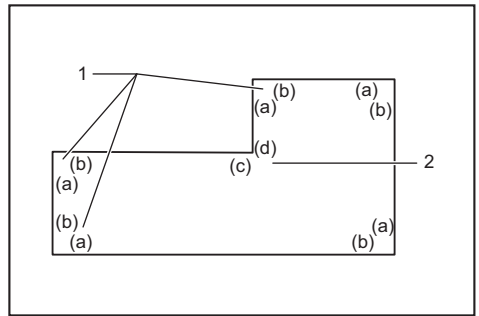
Crown and cove moldings can be cut on a compound miter saw with the moldings laid flat on the turn base. There are two common types of crown moldings and one type of cove moldings; 52/38° wall angle crown molding, 45° wall angle crown molding and 45° wall angle cove molding.

► Fig.44: 1. 52/38° type crown molding 2. 45° type crown molding 3. 45° type cove molding

There are crown and cove molding joints which are made to fit "Inside" 90° corners ((a) and (b) in the figure) and "Outside" 90° corners ((c) and (d) in the figure.)



1. Inside corner 2. Outside corner



1. Inside corner 2. Outside corner

Measuring

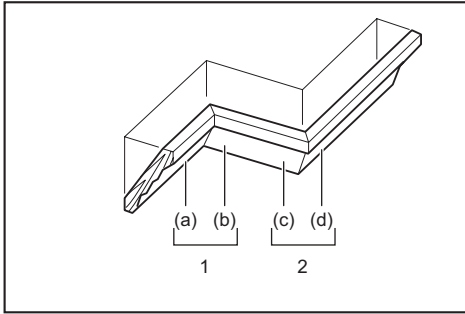
Measure the wall width, and adjust the width of the workpiece according to it. Always make sure that width of the workpiece's wall contact edge is the same as wall length.

► Fig.45: 1. Workpiece 2. Wall width 3. Width of the workpiece 4. Wall contact edge

Always use several pieces for test cuts to check the saw angles.

When cutting crown and cove moldings, set the bevel angle and miter angle as indicated in the table (A) and position the moldings on the top surface of the saw base as indicated in the table (B).

In the case of left bevel cut



1. Inside corner 2. Outside corner

Table (A)

–	Molding position in the figure	Bevel angle		Miter angle	
		52/38° type	45° type	52/38° type	45° type
For inside corner	(a)	Left 33.9°	Left 30°	Right 31.6°	Right 35.3°
	(b)			Left 31.6°	Left 35.3°
For outside corner	(c)			Right 31.6°	Right 35.3°
	(d)			Left 31.6°	Left 35.3°

Table (B)

–	Molding position in the figure	Molding edge against guide fence	Finished piece
For inside corner	(a)	Ceiling contact edge should be against guide fence.	Finished piece will be on the Left side of the circular saw blade.
	(b)	Wall contact edge should be against guide fence.	
For outside corner	(c)	Ceiling contact edge should be against guide fence.	Finished piece will be on the Right side of the circular saw blade.
	(d)	Wall contact edge should be against guide fence.	

Example:

In the case of cutting 52/38° type crown molding for position (a) in the above figure:

- Tilt and secure bevel angle setting to 33.9° LEFT.
- Adjust and secure miter angle setting to 31.6° RIGHT.
- Lay crown molding with its broad back (hidden) surface down on the turn base with its CEILING CONTACT EDGE against the guide fence on the saw.
- The finished piece to be used will always be on the LEFT side of the circular saw blade after the cut has been made.

Cutting aluminum extrusion

When securing aluminum extrusions, use spacer blocks or pieces of scrap as shown in the figure to prevent deformation of the aluminum. Use a cutting lubricant when cutting the aluminum extrusion to prevent build-up of the aluminum material on the circular saw blade.

⚠ WARNING: Never attempt to cut thick or round aluminum extrusions. Thick or round aluminum extrusions can be difficult to secure and the work may loosen during the cutting operation which may result in loss of control and serious personal injury.

- Fig.46: 1. Vise 2. Spacer block 3. Guide fence 4. Aluminum extrusion 5. Spacer block

Cutting repetitive lengths

When cutting several pieces of stock to the same length, ranging from 225 mm to 350 mm, pull up the set plate as shown in the figure.

Secure the workpiece in the position for cutting. Slide the right sub base so that the set plate flushes against the end of the workpiece. Then secure the sub base with the thumb screw.

- Fig.47: 1. Set plate 2. Thumb screw

Groove cutting

⚠ WARNING: Do not attempt to perform this type of cut by using a wider type blade or dado blade. Attempting to make a groove cut with a wider blade or dado blade could lead to unexpected cutting results and kickback which may result in serious personal injury.

⚠ WARNING: Be sure to return the stopper arm to the original position when performing other than groove cutting. Attempting to make cuts with the stopper arm in the incorrect position could lead to unexpected cutting results and kickback which may result in serious personal injury.

For a dado type cut, perform as follows:

1. Adjust the lower limit position of the circular saw blade using the adjusting screw and the stopper arm to limit the cutting depth of the circular saw blade. Refer to the section for stopper arm.

2. After adjusting the lower limit position of the circular saw blade, cut parallel grooves across the width of the workpiece using a slide (push) cut.

- Fig.48: 1. Cut grooves with saw blade

3. Remove the workpiece material between the grooves with a chisel.

Carrying tool

Before carrying the tool, be sure to unplug the tool and all movable parts of the tool are secured. Always check the following:

- The tool is unplugged.
- The carriage is at 0° bevel angle position and secured.
- The carriage is lowered and locked.
- The carriage is slid toward you fully and locked.
- The turn base is at the full right miter angle position and secured.

Carry the tool by holding the carry handle and one side of the tool base or by holding both sides of the tool base.

► Fig.49

► Fig.50

⚠WARNING: Stopper pin for carriage elevation is for carrying, storage, and adjustment purposes only and not for any cutting operations. The use of the stopper pin for cutting operations may cause unexpected movement of the circular saw blade resulting in kickback and serious personal injury.

⚠CAUTION: Always secure all moving portions before carrying the tool. If portions of the tool move or slide while being carried, loss of control or balance may occur and result in personal injury.

⚠CAUTION: Be sure that the carriage elevation is properly locked at its bottom by the stopper pin. If the stopper pin is not engaged properly, the carriage may jump up suddenly and cause personal injury.

MAINTENANCE

⚠WARNING: Always be sure that the tool is switched off and unplugged before attempting to perform inspection or maintenance. Failure to unplug and switch off the tool may result in accidental startup of the tool which may result in serious personal injury.

⚠WARNING: Always be sure that the saw blade is sharp and clean for the best and safest performance. Attempting a cut with a dull and/or dirty saw blade may cause kickback and result in a serious personal injury.

NOTICE: Never use gasoline, benzine, thinner, alcohol or the like. Discoloration, deformation or cracks may result.

To maintain product SAFETY and RELIABILITY, repairs, any other maintenance or adjustment should be performed by Makita Authorized or Factory Service Centers, always using Makita replacement parts.

Adjusting the cutting angle

This tool is carefully adjusted and aligned at the factory, but rough handling may have affected the alignment. If your tool is not aligned properly, perform the following:

Miter angle

1. Lock the carriage in the lowered position by the stopper pin. Push the carriage toward the guide fence and tighten the thumb screw to secure the carriage.
2. Set the turn base to the 0° position using the positive stop function. (Leave as it is if the pointer does not point to 0°.)

3. Loosen the hex socket bolts securing the guide fence using the hex wrench.

► Fig.51: 1. Stopper pin 2. Thumb screw 3. Hex socket bolts

4. Square the side of the saw blade with the face of the guide fence using a triangular rule or try-square. Then securely tighten the hex socket bolts on the guide fence in order from the right side.

► Fig.52: 1. Guide fence 2. Triangular rule

5. If the pointer does not point to 0°, loosen the screw which secures the pointer and adjust the pointer so that it points 0°.

► Fig.53: 1. Screw 2. Pointer 3. Miter scale

Bevel angle

0° bevel angle

1. Lock the carriage in the lowered position by the stopper pin. Push the carriage toward the guide fence and tighten the thumb screw to secure the carriage.

2. Loosen the lever. Then turn the 0° adjusting bolt two or three revolutions counterclockwise to tilt the circular saw blade to the right.

► Fig.54: 1. Lever 2. 0° Adjusting bolt

3. Carefully square the side of the saw blade with the top surface of the turn base using the triangular rule, try-square, etc. by turning the 0° adjusting bolt clockwise. Then tighten the lever firmly to secure the 0° angle you have set.

► Fig.55: 1. Triangular rule 2. Saw blade 3. Top surface of turn base

4. If the pointer does not point 0°, loosen the screw which secures the pointer and adjust it so that it points 0°.

► Fig.56: 1. Screw 2. Pointer 3. Bevel scale

45° bevel angle

NOTICE: Before adjusting the 45° bevel angle, finish 0° bevel angle adjustment.

1. Tighten the thumb screw to secure the carriage.
2. Loosen the lever. Then fully tilt the carriage to the left.

► Fig.57: 1. Thumb screw 2. Lever

3. Check if the pointer indicates the 45° position in the bevel angle scale.

If the pointer does not indicate the 45° position, align it with 45° position by turning the 45° adjusting bolt.

► **Fig.58:** 1. 45° adjusting bolt

Replacing carbon brushes

Remove and check the carbon brushes regularly. Replace when they wear down to 3 mm (1/8") in length. Keep the carbon brushes clean and free to slip in the holders. Both carbon brushes should be replaced at the same time. Use only identical carbon brushes.

► **Fig.59**

Use a screwdriver to remove the brush holder caps. Take out the worn carbon brushes, insert the new ones and secure the brush holder caps.

► **Fig.60:** 1. Brush holder cap

After replacing brushes, plug in the tool and break in brushes by running tool with no load for about 10 minutes. Then check the tool while running and electric brake operation when releasing the switch trigger. If the electric brake is not working correctly, have the tool repaired by a Makita service center.

After use

After use, wipe off chips and dust adhering to the tool with a cloth or the like. Keep the blade guard clean according to the directions in the previously covered section titled "Blade guard". Lubricate the sliding portions with machine oil to prevent rust.

OPTIONAL ACCESSORIES

⚠WARNING: These Makita accessories or attachments are recommended for use with your Makita tool specified in this manual. The use of any other accessories or attachments may result in serious personal injury.

⚠WARNING: Only use the Makita accessory or attachment for its stated purpose. Misuse of an accessory or attachment may result in serious personal injury.

If you need any assistance for more details regarding these accessories, ask your local Makita Service Center.

- Steel & Carbide-tipped saw blade
- Vertical vise
- Dust bag
- Triangular rule
- Hex wrench
- Stand set

NOTE: Some items in the list may be included in the tool package as standard accessories. They may differ from country to country.

规格

型号:		LS1110F
锯片直径	欧洲国家	260 mm
	非欧洲国家	255 mm - 260 mm
内孔直径	欧洲国家	30 mm
	非欧洲国家	25.4 mm
锯片的最大锯槽厚度		3.2 mm
最大斜接角度		左47°, 右47°
最大斜切角度		左47°, 右2°
空载速度 (RPM)		4,500/min
尺寸 (长 × 宽 × 高)		745 mm × 497 mm × 565 mm
净重		16.4 kg
安全等级		回/II

- 生产者保留变更规格不另行通知之权利。
- 规格可能因销往国家之不同而异。
- 重量符合EPTA-Procedure 01/2014

切割能力 (高 × 宽), 锯片 \varnothing 260 mm

斜接角度	斜切角度		
	45° (左)	0°	2° (右)
0°	50 mm x 310 mm	91 mm x 310 mm	85 mm x 310 mm
45° (左右)	50 mm x 220 mm	91 mm x 220 mm	-

符号

以下显示本设备可能会使用的符号。在使用工具之前，请务必理解其含义。



阅读使用说明书。



II类工具



佩带安全眼镜。



为了避免飞溅的碎片造成人身伤害，切割后请保持锯片头朝下，直至锯片完全停止。



进行滑动切割时，请首先将刀架完全拉向自身并向下按压把手，然后将刀架推向导向板。



请勿将手或手指靠近锯片。



调节滑动导向板使其与锯片和锯片保护罩保持合适距离。



请勿直视处于工作状态的灯具。



仅限于欧盟国家
由于本设备中包含有害成分，因此使用过的电气和电子设备可能会对环境和人体健康产生负面影响。
请勿将电气和电子工具与家庭普通废弃物放在一起处置！
根据欧洲关于废弃电气电子设备的指令及其国家层面的修订法案，使用过的电气和电子设备应当单独收集并递送至城市垃圾收集点，根据环保规定进行处置。
此规定由标有叉形标志的带轮垃圾桶符号表示。

用途

本工具用于在木材上精确的直切割和斜切割。也可使用适当的锯片切锯铝材。有关详细信息，请参见操作部分。

电源

本工具只可连接电压与铭牌所示电压相同的电源，且仅可使用单相交流电源。本工具双重绝缘，因此也可用于不带接地线的插座。

安全警告

电动工具通用安全警告

警告 阅读随电动工具提供的所有安全警告、说明、图示和规定。不遵照以下所列说明会导致电击、着火和/或严重伤害。

保存所有警告和说明书以备查阅。

警告中的术语“电动工具”是指市电驱动（有线）电动工具或电池驱动（无线）电动工具。

工作场地的安全

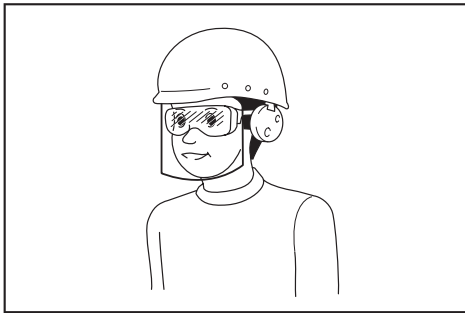
1. 保持工作场地清洁和明亮。杂乱和黑暗的场地会引发事故。
2. 不要在易爆环境，如有易燃液体、气体或粉尘的环境下操作电动工具。电动工具产生的火花会点燃粉尘或气体。
3. 操作电动工具时，远离儿童和旁观者。注意力不集中会使你失去对工具的控制。

电气安全

1. 电动工具插头必须与插座相配。绝不能以任何方式改装插头。需接地的电动工具不能使用任何转换插头。未经改装的插头和相配的插座将降低电击风险。
2. 避免人体接触接地表面，如管道、散热片和冰箱。如果你身体接触接地表面会增加电击风险。
3. 不得将电动工具暴露在雨中或潮湿环境中。水进入电动工具将增加电击风险。
4. 不得滥用软线。绝不能用软线搬运、拉动电动工具或拔出其插头。使软线远离热源、油、锐边或运动部件。受损或缠绕的软线会增加电击风险。
5. 当在户外使用电动工具时，使用适合户外使用的延长线。适合户外使用的电线将降低电击风险。
6. 如果无法避免在潮湿环境中操作电动工具，应使用带有剩余电流装置（RCD）保护的电源。RCD的使用可降低电击风险。
7. 始终建议通过额定剩余电流为30 mA或以下的RCD来使用电源。
8. 电动工具会产生对用户无害的电磁场（EMF）。但是，起搏器和其他类似医疗设备的用户应在操作本电动工具前咨询其设备的制造商和/或医生寻求建议。
9. 请勿用湿手触摸电源插头。
10. 如果电源线破损，则由制造商或其代理商更换以避免安全隐患。

人身安全

1. 保持警觉，当操作电动工具时关注所从事的操作并保持清醒。当你感到疲倦，或在有药物、酒精或治疗反应时，不要操作电动工具。在操作电动工具时瞬间的疏忽会导致严重人身伤害。
2. 使用个人防护装置。始终佩戴护目镜。防护装置，诸如适当条件下使用防尘面具、防滑安全鞋、安全帽、听力防护等装置能减少人身伤害。
3. 防止意外起动。在连接电源和/或电池包、拿起或搬运工具前确保开关处于关断位置。手指放在开关上搬运工具或开关处于接通时通电会导致危险。
4. 在电动工具接通之前，拿掉所有调节钥匙或扳手。遗留在电动工具旋转零件上的扳手或钥匙会导致人身伤害。
5. 手不要过分伸展。时刻注意立足点和身体平衡。这样能在意外情况下能更好地控制住电动工具。
6. 着装适当。不要穿宽松衣服或佩戴饰品。让你的头发和衣服远离运动部件。宽松衣服、佩饰或长发可能会卷入运动部件。
7. 如果提供了与排屑、集尘设备连接用的装置，要确保其连接完好且使用得当。使用集尘装置可降低尘屑引起的危险。
8. 不要因为频繁使用工具而产生的熟悉感而掉以轻心，忽视工具的安全准则。某个粗心的动作可能在瞬间导致严重的伤害。
9. 使用电动工具时请始终佩带护目镜以免伤害眼睛。护目镜须符合美国ANSI Z87.1、欧洲EN 166或者澳大利亚/新西兰的AS/NZS 1336的规定。在澳大利亚/新西兰，法律要求佩带面罩保护脸部。



雇主有责任监督工具操作者和其他近工作区域人员佩带合适的安全防护设备。

电动工具使用和注意事项

1. 不要勉强使用电动工具，根据用途使用合适的电动工具。选用合适的按照额定值设计的电动工具会使你工作更有效、更安全。
2. 如果开关不能接通或关断电源，则不能使用该电动工具。不能通过开关来控制的电动工具是危险的且必须进行修理。
3. 在进行任何调节、更换附件或贮存电动工具之前，必须从电源上拔掉插头和/或卸下电池包（如可拆卸）。这种防护性的安全措施降低了电动工具意外起动的风险。
4. 将闲置不用的电动工具贮存在儿童所及范围之外，并且不允许不熟悉电动工具和不了解这些说明的人操作电动工具。电动工具在未经培训的使用者手中是危险的。
5. 维护电动工具及其附件。检查运动部件是否调整到位或卡住，检查零件破损情况和影响电动工具运行的其他状况。如有损坏，应在使用前修理好电动工具。许多事故是由维护不良的电动工具引发的。
6. 保持切削刀具锋利和清洁。维护良好地有锋利切削刃的刀具不易卡住而且容易控制。
7. 按照使用说明书，并考虑作业条件和要进行的作业来选择电动工具、附件和工具的刀头等。将电动工具用于那些与其用途不符的操作可能会导致危险情况。
8. 保持手柄和握持表面干燥、清洁，不得沾有油脂。在意外的情况下，湿滑的手柄不能保证握持的安全和对工具的控制。
9. 使用本工具时，请勿佩戴可能会缠绕的布质工作手套。布质工作手套卷入移动部件可能会造成人身伤害。

维修

1. 由专业维修人员使用相同的备件维修电动工具。这将保证所维修的电动工具的安全。
2. 上润滑油及更换附件时请遵循本说明书指示。

斜断锯安全注意事项

1. 斜断锯用于切割木材或仿木产品，不可使用切割砂轮来切割铁质材料，例如钢筋、铁棒和板墙筋等。磨屑导致下部保护罩等运动部件卡滞。砂轮切割产生的火花会烧灼下部保护罩、锯槽嵌入物等塑料部件。


2. 如果可行的话，请使用夹具固定工件。用手固定工件时，双手与锯片两侧至少要保持**100 mm**以上的距离。切勿使用该锯切割体积太小难以夹紧或难以手持的工件。如果手距离锯片过近，会增加与锯片接触导致受伤的风险。
 3. 工件必须固定和夹紧或紧紧抵住导板和工作台。切勿以任何方式将工件向锯片递送或徒手切割。未固定或移动的工件在高速切割时会被甩出，导致人身伤害。
 4. 按压锯片穿过工件。切勿抬起锯片穿过工件。要进行切割，请在不切割的状态下提起锯片头，将其拉到工件上方，启动电机，向下按压锯片头使锯片穿过工件。切割过程中抬起锯片会导致锯片爬上工件，致使锯片组件被猛烈甩向操作人员。
 5. 切勿将手放在锯片前后所需切割线的上方。以“双手交叉”（左手握持锯片右边部分的工件或右手握持锯片左边部分的工件）的方式固定工件十分危险。
- 图片1
6. 锯片在旋转时，如需清理木屑或出于其他原因触碰导向板时双手与锯片两侧至少要保持**100 mm**以上的距离。旋转的锯片可能会在较难觉察的情况下接近双手，导致严重的人身伤害。
 7. 切割前请检查工件。如果工件弯曲或扭曲，将弯曲面的外侧朝向导板将其夹住。务必始终确保工件、导板和工作台之间在切割线上没有间隙。弯曲或扭曲的工件会扭动或晃动，切割时会对旋转的锯片产生阻力。工件上不得有铁钉等异物。
 8. 清理干净工作台上除工件以外的任何其他工具、木屑后方可使用锯片。小碎片或松动的木头片等其他异物接触到旋转的锯片时会被高速甩出。
 9. 一次仅可切割一个工件。多个工件堆叠无法被充分夹紧或获得良好支撑，切割期间会对锯片产生阻力或移位。
 10. 使用前，确保在水平、稳固的物体表面安装或放置斜断锯。水平、稳固的工作表面会降低斜断锯变得不稳定的风险。
 11. 做好施工计划。每次改动偏转角或斜切角设置的时候，要确保正确设置可调式导板使其支撑工件且不会干扰锯片或保护装置系统。在不打开工具开关且台面上没有工件的情况下，移动锯片模拟进行一次完全切割，确保不存在干扰或切割导板的危险。
 12. 对于长度或宽度超过工作台的工件，请通过延展工作台、锯木架等方式给予充分支撑。如果未获得充分支撑，长度或宽度超过斜断锯工作台的工件会翻转。如果切块或工件翻转，它会抬起下部保护罩或被旋转的锯片甩出。
 13. 切勿让他人作为助手替代延展工作台或令其对工件进行额外支撑。工件支撑不稳定会导致切割操作期间锯片卡滞或工件移位，将操作人员和助手拉向旋转的锯片。
 14. 切下的切块不可以任何形式挤压旋转的锯片。如果受到限制，也即使用纵向制动器，切块会挤住锯片并被猛烈甩出。
 15. 对于圆棒或圆管等圆形材料，请使用夹具或专用固定装置来进行充分固定。圆棒在切割时存在滚动的趋势，导致刀片被“咬住”，请用手将工件拉入锯片。
 16. 操作锯片接触工件前，请使其达到全速。此举可降低工件被甩出的风险。
 17. 如果工件或锯片被卡住，请关闭斜断锯。等到所有移动的部件停止，然后断开电源插头和/或取下电池组。然后再处理卡住的材料。如果在工件被卡住的情况下继续切割，则会导致斜断锯失控或受损。
 18. 结束切割后，松开开关，使锯片头保持向下，等待锯片完全停止后再移除切块。双手靠近仍在转动的锯片是十分危险的。
 19. 进行不完全切割或在锯片头完全插入下方之前松开开关时，请紧握把手。锯片的制动操作会导致锯片头被猛地向下拉动，存在人身伤害风险。
 20. 仅使用工具上所标示或说明书中所规定直径的锯片。使用尺寸不正确的锯片可能会影响锯片的正确保护或保护操作，从而导致严重的人身伤害。
 21. 仅使用所标示的速度等于或大于工具上所标示的速度的锯片。
 22. 请勿使用该锯切割非指定的材料。
 23. （仅限欧洲国家）
如用于切割木材和相似材料，请务必使用符合**EN847-1**标准的锯片。
- 其它注意事项
1. 请使用挂锁避免儿童进入车间。
 2. 切勿踩踏工具。如果工具翻倒或意外接触到切割工具，可能会导致严重的人身伤害。
 3. 切勿使工具在无人照看的情况下运行。关闭电源。切勿在工具完全停止前离开工具。

4. 请勿在保护罩未安装到位时操作本锯。在每次使用之前请检查锯片保护罩是否正确闭合。如果锯片保护罩无法自由移动和快速闭合，则请勿使用该锯。切勿将锯片保护罩置于打开位置。
5. 请将手置于锯片的路径之外。请勿接触仍在转动的锯片。否则会造成严重的人身伤害。
6. 为减少受伤风险，请在每次横切操作后将刀架完全返回靠后的位置。
7. 搬动工具前请务必固定好所有可以移动的部件。
8. 将锯片头锁在下位的止动销或止动杆仅用于搬运和贮存的目的，而不适用于任何切割操作。
9. 操作之前，请仔细检查锯片上是否有裂缝或损坏。应立即更换有裂缝或损坏的锯片。卡滞在锯片上变硬的树脂和木沥青会使锯的速度变慢，并增加反弹的可能性。因此，请先将锯片从工具上拆下，然后使用树脂和沥青清除剂、热水或煤油进行清洁，使锯片保持清洁。切勿使用汽油清洁锯片。
10. 进行滑动切割时，可能会出现反弹。当锯片在切割操作期间受工件卡滞时会发生反弹，锯片会快速弹向操作人员。会导致失控和严重的人身伤害。如果锯片在切割操作期间卡滞，切勿继续切割，并应立即松开开关。
11. 请仅使用本工具指定的法兰。
12. 请小心不要损坏心轴、法兰（尤其是安装表面）或螺栓。这些部件的损坏可能会导致锯片破裂。
13. 确保翻转基座已正确固定，使其在操作期间不会移动。使用基板上的孔将锯片紧固到稳定的工作台或工作架上。操作人员切不可在所处位置不当时使用工具。
14. 打开开关前，请确保松开轴锁。
15. 确保锯片不会在最低位置接触到翻转基座。
16. 请紧握把手。请注意在启动和停止期间锯片会轻微地上下移动。
17. 打开开关前，请确认锯片未与工件接触。
18. 在实际的工件上使用工具之前，请先使其运行片刻。请注意，振动或摇摆可能表示安装不当或锯片不平衡。
19. 若发现有任何异常请立即停止操作。
20. 请勿试图将开关扳机锁定在“开启”位置。
21. 请务必使用本说明书中建议的附件。使用砂轮等不适用的附件可能会导致人身伤害。
22. 某些材料含有有毒化学物质。小心不要吸入粉尘，并避免皮肤接触。遵循材料供应商的安全提示。

有关处于工作状态的灯具的补充安全规范

1. 请勿直视灯光或光源。

请保留此说明书。

 **警告：** 请勿为图方便或因对产品足够熟悉（由于重复使用而获得的经验）而不严格遵循相关产品安全规则。使用不当或不遵循使用说明书中的安全规则会导致严重的人身伤害。

部件说明

► 图片2

1	调节螺丝（用于下限位置）	2	止动臂	3	集尘袋	4	手拧螺丝（用于刀架滑动）
5	指针（用于斜切角度）	6	斜切角度刻度	7	滑杆	8	垂直虎钳
9	滑动导向板	10	0°调节螺栓（用于斜切角度）	11	导向板	12	副基座
13	翻转基座	14	斜接角度规	15	指针（用于斜接角度）	16	锯槽板
17	调节螺栓（用于翻转基座）	18	锁定杆（用于翻转基座）	19	把手（用于翻转基座）	20	集尘式保护罩
21	锯片保护罩	22	照明灯	23	把手（用于操作）	24	开关扳机
25	挂锁孔	26	锁止按钮	27	搬运把手	-	-

► 图片3

1	照明灯开关	2	轴锁	3	调节螺栓（用于最大切割能力）	4	止动销（用于刀架升降）
5	固定板	6	六角扳手	7	45°调节螺栓（用于斜切角度）	8	杆（用于斜切角度）
9	释放按钮（用斜切角度）	-	-	-	-	-	-

安装

工作台安装

⚠警告： 确保工具不会在支撑面上移动。切割期间在支撑面上移动斜断机可能会导致工具失控和严重的人身伤害。

1. 使用螺栓将基座固定在一个平坦稳定的表面。这样可以防止机器倾覆而可能导致的人身伤害。

► **图片4：** 1. 螺栓 2. 安装孔

2. 顺时针或逆时针转动调节螺栓，使其与地板表面接触以保持工具平稳。

► **图片5：** 1. 调节螺栓

功能描述

⚠警告： 在调节或检查工具功能之前，请务必关闭工具电源开关并拔下电源插头。未关闭电源并拔下电源插头可能会使工具意外启动，导致严重的人身伤害。

把手锁定

⚠小心： 松开止动销时，请务必握住把手。否则，把手将弹起并可能导致人身伤害。

工具出厂时，把手由止动销锁定在较低位置。若要解锁把手，请在略微下压把手的同时拉动止动销。

► **图片6：** 1. 止动销

滑动锁定

要使刀架可以滑动，请拧松臂上的手拧螺丝。要锁定刀架的滑动，请将刀架移动至所需位置，然后牢固拧紧手拧螺丝。

► **图片7：** 1. 手拧螺丝 2. 锯臂

锯片保护罩

警告：切勿废弃或者移除锯片保护罩或保护罩上的弹簧。由于废弃保护而使电圆锯锯片暴露在外可能会在操作期间导致严重的人身伤害。

警告：如果锯片保护罩或弹簧受损、出现故障或被移除，切勿使用工具。在保护罩受损、出现故障或被移除的情况下操作工具可能会导致严重的人身伤害。

小心：为确保操作安全，请务必保持锯片保护罩良好。如果锯片保护罩存在任何不规则情况，请立即停止操作。检查确认保护罩的弹簧可正常工作。

降下把手时，锯片保护罩会自动升起。当完成切割抬起把手时，弹簧加力的保护罩会回到原来的位置。

► **图片8：** 1. 锯片保护罩

清洁

如果透明锯片保护罩变脏，或者锯屑附着在透明锯片保护罩上，以至无法看清电圆锯锯片和/或工件，请拔出工具插头，并用湿布仔细清洁保护罩。请勿使用溶剂或任何石油类清洁剂来清洁塑料保护罩，否则会损坏保护罩。

请遵照清洁准备的说明按步骤操作。

1. 确保已关闭工具电源并拔下插头。
2. 握住中心盖板，同时使用附带的六角扳手逆时针转动内六角螺栓。
3. 抬起锯片保护罩和中心盖板。
4. 完成清洁后，将中心盖板放回原来的位置并按与上述步骤相反的顺序紧固内六角螺栓。

► **图片9：** 1. 六角扳手 2. 内六角螺栓 3. 中心盖板 4. 锯片保护罩

警告：请勿移除固定锯片保护罩的弹簧。如果保护罩由于老化或紫外线照射而受损，请与Makita（牧田）服务中心联系，更换新的保护罩。请勿废弃或移除保护罩。

定位锯槽板

本工具在翻转基座上配有锯槽板，以最大程度地减少切割边破裂的情况。锯槽板在出厂时就已调节好，所以电圆锯锯片不会碰到锯槽板。使用前，请按以下说明调节锯槽板：

1. 确保已拔出工具插头。然后，拧松所有固定锯槽板的螺丝（左右各三个）。

► **图片10：** 1. 锯槽板 2. 螺丝

2. 再把它们拧紧到锯槽板仍可以轻易用手移动的程度。

3. 将把手完全降下，然后使用止动销将把手锁定在降下位置。

4. 拧松钳臂上固定刀架滑动的手拧螺丝。

将刀架完全拉向自己。

► **图片11：** 1. 手拧螺丝 2. 钳臂

5. 调节锯槽板，使其靠近锯片齿的两侧。

► **图片12**

► **图片13：** 1. 电圆锯锯片 2. 锯齿 3. 锯槽板
4. 左斜切角切割 5. 直线切割

6. 拧紧前面的螺丝（不要拧死）。

7. 将刀架滑动到锯槽板前端和导向板之间的位置。调节锯槽板，使其靠近锯片齿的两侧。

8. 拧紧中心的螺丝（不要拧死）。

9. 将刀架完全推向导向板，然后调节锯槽板，使其靠近锯片齿的两侧。

10. 拧紧后面的螺丝（不要拧死）。

11. 松开用于把手锁定的止动销，再抬起把手。然后牢固拧紧所有的螺丝。

注意：设定斜切角度后，确保锯槽板调整无误。校正锯槽板的调整有助于为工件提供合适的支撑，最小化工件破损的几率。

保持最大切割能力

该工具在出厂时已调节好，可为260 mm的电圆锯锯片提供最大切割能力。
安装新电圆锯锯片时，请随时检查电圆锯锯片的下限位置，如果有必要，按以下说明调节：

1. 拔出工具插头。然后，把刀架完全推向导向板并完全降下把手。
2. 用六角扳手（螺丝刀侧）拧动调节螺栓直到电圆锯锯片略低于导向板的横截面和翻转基座的顶面。
▶ 图片14: 1. 调节螺栓 2. 导向板
▶ 图片15
3. 用手旋转电圆锯锯片，同时完全降下把手，确保电圆锯锯片不会接触到下基座的任何部件。如有必要，重新调节最大切割能力。

警告： 在安装新的电圆锯锯片后且在工具插头拔出状态下，必须确保在把手完全降下时，电圆锯锯片不会接触到下基座的任何部件。如果电圆锯锯片接触到基座，则可能造成反弹并导致严重的人身伤害。

▶ 图片16

止动臂

锯片的下限位置可以用止动臂来轻易调节。要调节下限，请按图示沿箭头方向转动止动臂。旋转调节螺丝，使锯片在完全降下把手时停在所需位置。

▶ 图片17: 1. 止动臂 2. 调节螺丝

调节斜接角度

小心： 在改变斜接角度后，请将把手牢固拧紧以锁住翻转基座。

注意： 当转动翻转基座时，请确保将把手充分抬起。

逆时针方向旋转把手以解锁翻转基座。抬起锁定杆的同时转动把手以移动翻转基座。使指针指向斜接角度规上的所需角度，然后拧紧把手。

▶ 图片18: 1. 锁定杆 2. 把手 3. 指针

前挡块功能

斜断锯具备前挡块功能。可以快速设置0°、15°、22.5°、31.6°和45°左 / 右斜接角度。要使用该功能，请在抬起锁定杆的同时将翻转基座移动至靠近所需前挡块角度。然后释放锁定杆，并将翻转基座移动至所需前挡块角度，直至翻转基座锁定。

调节斜切角度

小心： 在改变斜切角度后，请务必顺时针拧紧杆来固定臂。

注意： 调节斜切角度前，请务必移除垂直虎钳。

注意： 当倾斜电圆锯锯片时，请确保将刀架充分抬起。

注意： 在改变斜切角度时，请确保按“调节锯槽板”部分的说明重新正确调整锯槽板的位置。

注意： 请勿过度拧紧杆。否则会导致斜切角度的锁定机构发生故障。

将电圆锯锯片倾斜至左0° - 45°

1. 逆时针旋转杆。
2. 握住把手并将刀架向左倾斜。
3. 使指针指向斜切角度规上的所需角度。
4. 顺时针拧紧杆以固定钳臂。
▶ 图片19: 1. 杆 2. 把手 3. 指针 4. 斜切角度规

将电圆锯锯片倾斜超过左0° - 45°

1. 逆时针旋转杆。
2. 握住把手并将刀架设定在右2°侧的0°或左47°侧的45°。
3. 将刀架稍微向相反侧倾斜。
4. 按下释放按钮。
5. 将刀架倾斜至超过0° - 45°范围的所需位置。
6. 顺时针拧紧杆以固定钳臂。

将刀架倾斜至右2°时

▶ 图片20: 1. 杆 2. 把手 3. 释放按钮

将刀架倾斜至左47°时

▶ 图片21: 1. 杆 2. 把手 3. 释放按钮

开关操作

警告： 插上工具电源插头之前，请务必确认开关扳机能够正常工作，松开时能回到“关闭”位置。在没有按下锁止按钮的情况下请勿用力扣动开关扳机。这样可能导致开关破损。若工具上的开关无法正常工作，将可能导致工具失控或严重的人身伤害。

警告： 请勿使用开关扳机失灵的工具。开关扳机失灵的工具有极其危险的，必须维修过后才能使用，否则会导致严重的人身伤害。

警告： 切勿通过封住锁止按钮或其他方法来弃用锁止按钮。在弃用开关锁止按钮的情况下使用工具时可能会出现意外运行的情况并导致严重的人身伤害。

警告： 如果您只是扣动开关扳机而没有按下锁止按钮时，工具即开始运行，则切勿使用此工具。在开关需要维修的情况下使用工具时可能会出现意外运行的情况并导致严重的人身伤害。在进一步使用该工具之前，请将其送回Makita（牧田）维修中心进行正确的修理。

为避免使用者不小心扣动开关扳机，本工具采用锁止按钮。要启动工具时，按下锁止按钮，然后扣动开关扳机即可。松开开关扳机工具即停止。开关扳机上留有一个孔供插入挂锁，可将工具锁定为关闭状态。

► **图片22：** 1. 开关扳机 2. 锁止按钮 3. 挂锁孔

警告： 请勿使用带有直径小于6.35 mm的把手或钢索的锁。较小的把手或钢索无法正确将工具锁定在关闭位置，可能会出现意外运行的情况并导致严重的人身伤害。

铸造切割线

小心： 此照明灯不具有防水性。请勿用水清洗照明灯，或在雨中、潮湿场所使用。否则会导致触电和冒烟。

小心： 照明灯点亮时或熄灭后不久，请勿触摸照明灯镜面，因其会非常烫。否则可能会引起灼伤。

小心： 请勿撞击照明灯，否则可能会导致其损坏或使用寿命缩短。

小心： 请勿直视灯光或光源。

LED灯将光投射到电圆锯锯片上，并且锯片的阴影落在工件上，用作免校准切割线指示器。按下照明灯开关以点亮灯。锯片碰到工件表面的位置会出现一条线，并会随着锯片的下降而加深。

► **图片23：** 1. 照明灯开关 2. 照明灯 3. 切割线

指示器可帮助切掉工件上用铅笔画出的现有的切线。

1. 握住把手并压低电圆锯锯片，使锯片的密影投射到工件上。

2. 将在工件上绘制的切线与有阴影的切割线对齐。

3. 如有必要，调整斜接角度和斜切角度。

注： 使用后请务必关闭照明灯开关。否则照明灯会持续发热。

电子功能

软启动功能

该功能可限制启动转矩，实现工具的顺利启动。

装配

警告： 对工具进行任何操作前请务必确认机器已关闭且已拔下电源插头。未关闭电源并拔下工具插头可能会导致严重的人身伤害。

六角扳手的存放

不使用时，请如图所示贮存六角扳手以防丢失。

► **图片24：** 1. 六角扳手

安装或拆卸电圆锯锯片

警告： 拆卸和安装电圆锯锯片之前，请务必关闭工具电源并拔出插头。工具意外启动可能会导致严重的人身伤害。

警告： 请仅使用随附的Makita（牧田）扳手拆卸和安装电圆锯锯片。否则可能会导致内六角螺栓安装过紧或者过松，从而导致严重的人身伤害。

警告： 请勿使用或替换非本工具随附的部件。使用此类部件会导致严重的人身伤害。

警告： 安装电圆锯锯片后，务必检查确保锯片已牢固安装。如电圆锯锯片安装不牢固，则会导致严重的人身伤害。

安装或拆卸电圆锯锯片的通用准备工作

1. 通过拉动止动销解锁刀架，然后将刀架移动至抬起的位置。
 2. 用六角扳手拧松固定中心盖板的内六角螺栓。然后，抬起锯片保护罩和中心盖板。
- ▶ **图片25:** 1. 六角扳手 2. 内六角螺栓 3. 中心盖板 4. 锯片保护罩

安装电圆锯锯片

小心： 确保安装电圆锯锯片时使电圆锯锯片表面上的箭头方向与锯片罩壳上的箭头方向相吻合。否则可能会导致人身伤害、工具和 / 或工件受损。

1. 完成“安装或拆卸电圆锯锯片的通用准备工作”中的步骤。
 2. 按下轴锁锁定主轴，用六角扳手按顺时针方向拧松内六角螺栓。然后拆下内六角螺栓、外法兰盘和电圆锯锯片。
- ▶ **图片26:** 1. 内六角螺栓（左手） 2. 外法兰盘 3. 轴锁
3. 将电圆锯锯片小心安装至内法兰上。确保电圆锯锯片上的箭头方向与锯片基座上的箭头方向相吻合。
- ▶ **图片27:** 1. 箭头
4. 安装外法兰和内六角螺栓。在按住轴锁的同时，用六角扳手按逆时针方向牢固拧紧内六角螺栓（左手）。
- ▶ **图片28:** 1. 内六角螺栓（左手） 2. 外法兰盘 3. 电圆锯锯片 4. 挡圈 5. 内法兰盘 6. 主轴
- ▶ **图片29:** 1. 内六角螺栓（左手） 2. 外法兰盘 3. 轴锁

5. 将锯片保护罩和中心盖板放回原来的位置。然后拧紧中心盖板的内六角螺栓以将其紧固。

降下刀架并检查锯片保护罩是否移动自如。

▶ **图片30:** 1. 六角扳手 2. 内六角螺栓 3. 中心盖板 4. 锯片保护罩

拆卸电圆锯锯片

1. 完成“安装或拆卸电圆锯锯片的通用准备工作”中的步骤。
 2. 按下轴锁以锁定主轴。用六角扳手按顺时针方向拧松内六角螺栓。然后拆下内六角螺栓、外法兰和电圆锯锯片。
- ▶ **图片31:** 1. 内六角螺栓（左手） 2. 外法兰盘 3. 轴锁

3. 如果拆卸了内法兰，请将其再安装到主轴上并确保锯片安装部件面向电圆锯锯片。如果法兰安装不正确，则法兰会与机器产生摩擦。

▶ **图片32:** 1. 内六角螺栓（左手） 2. 外法兰盘 3. 电圆锯锯片 4. 挡圈 5. 内法兰盘 6. 主轴

注意： 请小心不要丢失拆下的外法兰和内六角螺栓。

连接吸尘器

当您想进行清洁切割操作时，请连接Makita（牧田）集尘器。

注意： 根据使用的吸尘器类型和软管，集尘端口可能会被集尘式保护罩挡住，使其无法集尘。这种情况下，减弱吸尘器的吸力。

▶ **图片33:** 1. 集尘式保护罩

集尘袋

小心： 进行切割操作时，请务必安装集尘袋或连接集尘器以防止发生与灰尘相关的危险。

使用集尘袋可使切割操作更为干净，也可方便集尘。安装集尘袋时，将集尘袋连接在集尘口上。

▶ **图片34:** 1. 集尘袋 2. 集尘口

当集尘袋已装满一半左右的空间时，从工具上取下集尘袋并拉出紧固装置。清空集尘袋并轻轻拍打以去除附着在集尘袋内壁的可能会妨碍进一步收集的碎屑。

▶ **图片35:** 1. 紧固装置

固定工件

警告： 用适当类型的虎钳稳妥牢固地固定工件极其重要。否则可能会导致严重的人身伤害、工具和 / 或工件受损。

警告： 在切割操作之后，切勿在锯片完全停止转动前抬起锯片。抬起还在转动的锯片可能会导致严重的人身伤害和工件受损。

警告： 切割长于斜断锯支撑座的工件时，应以相同的高度对超出支撑座的材料完整长度进行支撑，以保持材料水平。正确支撑工件有助于避免夹住锯片以及可能反弹的情况，否则可能会导致严重的人身伤害。请勿仅仅依靠垂直虎钳来固定工件。较薄的材料易于下垂。全长度地支撑工件以避免夹住锯片以及可能反弹的情况。

► 图片36: 1. 支撑件 2. 翻转基座

导向板

警告： 在操作工具前，请确保滑动导向板已使用夹紧螺丝牢固固定。

警告： 在进行斜切角切割之前，请确保在任何位置完全降下或抬起把手以及在整个行程范围内移动刀架时，工具上的任何部位（尤其是电圆锯锯片）都不会接触到导向板。工具或电圆锯锯片接触到导向板可能会导致反弹或材料的意外移动以及严重的人身伤害。

本工具配备有滑动导向板。执行左侧斜切角切割时，拧松夹紧螺丝并移动滑动导向板，使其不会妨碍刀架移动。通过拧紧夹紧螺丝固定滑动导向板。

► 图片37: 1. 滑动导向板 2. 导向板 3. 夹紧螺丝

垂直虎钳

警告： 在所有操作过程中，工件都必须用虎钳牢牢地固定在翻转基座和导向板上。如果工件未正确固定在导向板上，在切割操作期间材料可能会移动，并可能导致锯片受损，引起材料飞溅和失控，造成严重的人身伤害。

垂直虎钳可安装在基座左侧、基座右侧或副基座左侧的孔内。

把工件平放按住抵在导向板和翻转基座上。调节工件到期望的切割位置，拧紧虎钳旋钮将其牢固固定住。

确保在将把手完全降下的过程中，没有工具部件接触到垂直虎钳。如果有部件接触到垂直虎钳，应重新调节垂直虎钳的位置。

► 图片38: 1. 孔 2. 虎钳旋钮

副基座

警告： 请保持较长工件与翻转基座的顶面齐平，以便准确切割同时避免工具失控的危险。正确支撑工件有助于避免锯片收缩以及可能反弹的情况，否则可能会导致严重的人身伤害。

警告： 在切割操作之前，务必确保副基座已通过手拧螺丝牢固固定。

为水平固定较长的工件，工具的两侧都配备有副基座。拧松手拧螺丝并延伸副基座至合适长度以固定工件。然后拧紧手拧螺丝。

► 图片39: 1. 副基座 2. 手拧螺丝

切割时，将工件平放在导向板上。

► 图片40: 1. 导向板 2. 副基座

操作

本工具用于切割木产品。使用适当的Makita（牧田）原装锯片，也可切锯以下材料：

— 铝产品

有关适合切割材料的正确电圆锯锯片，请参阅我们的网站或联系当地Makita（牧田）经销商。

警告： 打开开关前，请确认锯片未与工件等接触。在锯片接触到工件的情况下开启工具可能会导致反弹和严重的人身伤害。

警告： 在切割操作之后，切勿在锯片完全停止转动前抬起锯片。抬起还在转动的锯片可能会导致严重的人身伤害和工件受损。

警告： 锯片旋转时切勿执行任何调节，例如旋转工具上的把手、旋钮和杆。在锯片旋转时进行调节可能会导致严重的人身伤害。

小心： 请勿将锯片头从完全向下的位置以失控的方式释放。否则失控的锯片头可能将您击伤。

注意：使用前，务必解锁止动销并从降下的位置释放把手。

注意：切割时，请勿向把手施加过大压力。力度太大可能造成电机超载，降低切割效率。按压把手时的力度只需达到平稳切割便可，但同时不应会明显降低锯片转动速度。

注意：进行切割时，轻轻压下把手。如果强行压下把手或施加横向力，锯片可能会振动并在工件上留下痕迹（锯痕），并且切割精度可能会受到影响。

注意：在滑动切割中，轻轻地把刀架匀速推向导向板。如果刀架在切割中停止运动，工件会留下锯痕，影响切割的精确性。

按压切割

警告：执行按压切割时务必锁定刀架的滑动。在不锁定的情况下切割可能会导致反弹和严重的人身伤害。

长度达91 mm宽度达90 mm的工件可以用以下方式进行切割。

1. 请向导向板推动刀架直至其停止并使用手拧螺丝将其锁定。
2. 用适当类型的虎钳固定住工件。
3. 将工具电源打开，同时避免电圆锯锯片接触工件，然后等待其转速达到全速，再压低电圆锯锯片。
4. 轻轻压低把手至最低位置来切割工件。
5. 切割完成后，关闭工具电源开关，待电圆锯锯片完全停止运转后，把电圆锯锯片放回其充分抬起的位置。

► 图片41：1. 手拧螺丝

滑动（推动）切割（较宽工件切割）

警告：在进行滑动切割时，首先把刀架充分拉向自己，按压把手至最低位置，然后将刀架推向导向板。在刀架没有充分拉向自己的情况下，请勿开始切割。如果在没有充分将刀架拉向您的情况下进行滑动切割，可能会导致意外反弹和严重的人身伤害。

警告：切勿试图通过将刀架拉向您来进行滑动切割。在切割期间将刀架拉向您可能会导致意外反弹和严重的人身伤害。

警告：切勿在把手锁定在较低位置的情况下进行滑动切割。

1. 拧松手拧螺丝，使刀架可以自由滑动。

2. 用适当类型的虎钳固定住工件。
3. 将刀架充分拉向自己。
4. 开启工具，同时避免电圆锯锯片有任何接触，然后等待锯片达到全速。
5. 向下按压把手，并把刀架推向导向板，穿过工件。
6. 切割完成时，关闭工具并等待锯片完全停止后，把锯片放回完全抬起的位置。

► 图片42：1. 手拧螺丝

斜接角切割

请参考调节斜接角度章节。

斜切角切割

警告：将锯片设定用于斜切角切割之后，请在操作工具之前，确保刀架和锯片可以在预定切割的整个范围内自由移动。切割操作期间刀架或锯片移动受阻可能会导致反弹和严重的人身伤害。

警告：进行斜切角切割时，请将手置于锯片的路径之外。切割期间，锯片的角度可能会混淆操作者对实际锯片路径的判断，接触到锯片会导致严重的人身伤害。

警告：在锯片完全停止转动前，不得将其抬起。斜切角切割期间，切除的碎块可能会黏着在锯片上。如果在锯片仍在旋转的情况下将其抬起，则切除的碎块可能会被锯片弹出，造成材料碎裂，从而导致严重的人身伤害。

注意：按下把手时，请施加与锯片平行的压力。如果施加与翻转基座垂直的压力，或者切割过程中压力方向变化，则切割精度可能会受到影响。

1. 将滑动导向板设置在左侧，以避免刀架接触。
2. 解锁止动销并拧松钳臂上的手拧螺丝，使刀架可以自由抬起和滑动。
3. 根据斜切角度调节章节中的说明步骤调节斜切角度。然后拧紧把手。
4. 用虎钳固定住工件。
5. 将刀架充分拉向自己。
6. 开启工具，同时避免电圆锯锯片有任何接触，然后等待电圆锯锯片达到全速。
7. 向把手施加与电圆锯锯片平行的力的同时，轻轻地压低把手到最低位置，并将刀架推向导向板来切割工件。

8. 切割完成时，关闭工具并等待电圆锯锯片完全停止后，把锯片放回完全抬起的位置。

► 图片43

复合切割

复合切割就是对工件进行斜接角切割的同时对其进行斜切角切割的工序。复合切割可以完成表格中角度的切割。

斜接角度	斜切角度
左和右0° - 45°	左0° - 45°

在进行复合切割时，请参考按压切割、滑动（推动）切割、斜接角切割和斜切角切割章节。

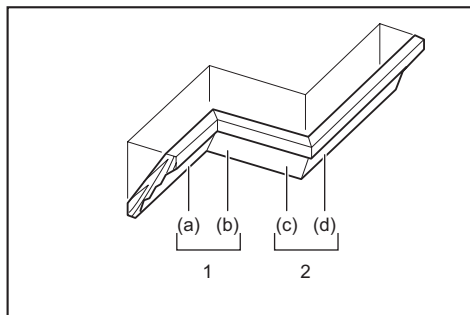
顶角线和拱形饰条切割

将装饰线脚平放在旋转工作台上，用复合斜断机切割顶角线和拱形饰条。

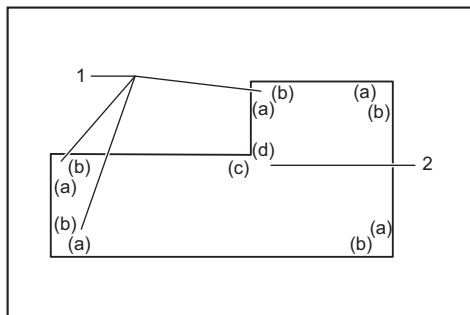
常用的有两种类型的顶角线和一种拱形饰条，即52/38°顶角线和45°顶角线及45°拱形饰条。

► 图片44: 1. 52/38°顶角线 2. 45°顶角线 3. 45°拱形饰条

有专门为“内”90°墙角(图中(a)和(b))和“外”90°墙角(图中(c)和(d))制作的顶角线和拱形饰条接头。



1. 内角 2. 外角



1. 内角 2. 外角

测量

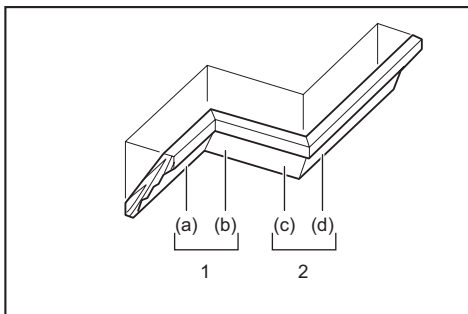
测量墙面宽度并相应调整工件的宽度。要确保工件的墙面接触边的宽度与墙面的长度相同。

► 图片45: 1. 工件 2. 墙面宽度 3. 工件宽度 4. 墙面接触边

务必使用几块废木材进行测试切割，以检查角度。

顶角线和拱形饰条切割时，按表格(A)设定斜切角度和斜接角度，按表格(B)将饰条在电锯基座顶面的位置调节好。

在左斜切角切割情况下



1. 内角 2. 外角

表格 (A)

—	图中饰条位置	斜切角度		斜接角度	
		52/38°类型	45°类型	52/38°类型	45°类型
内角	(a)	左 33.9°	左30°	右 31.6°	右 35.3°
	(b)			左 31.6°	左 35.3°
外角	(c)			右 31.6°	右 35.3°
	(d)			左 31.6°	左 35.3°

表格 (B)

—	图中饰条位置	抵住导向板的饰条边	完成部分
内角	(a)	天花板接触边应抵住导向板。	完成部分应位于电圆锯锯片的左侧。
	(b)	墙面接触边应抵住导向板。	
外角	(c)	天花板接触边应抵住导向板。	完成部分应位于电圆锯锯片的右侧。
	(d)	墙面接触边应抵住导向板。	

例：

在上图中位置 (a) 的 52/38° 顶角线切割中：

- 倾斜并固定斜切角度左 33.9°。
- 调节并固定斜接角度右 31.6°。
- 将顶角线较宽的（隐藏）后表面朝下放在翻转基座上，使天花板接触边抵住电锯上的导向板。
- 切割以后，待用的制成件总是位于电圆锯锯片的左侧。

切割铝型材

固定铝挤压件时，请按照图示放置垫块或废弃木材，防止铝材变形。切割铝挤压件时，请使用切割油，以免铝材堆积在电圆锯锯片上。

警告： 切勿尝试切割较厚或圆形的铝挤压件。较厚或圆形的铝型材难以固定，在切割操作期间可能会变松，从而导致工具失控和严重的人身伤害。

- **图片46：** 1. 虎钳 2. 垫块 3. 导向板 4. 铝挤压件 5. 垫块

切割重复长度

将数块原料切割为相同的长度（225 mm至 350 mm的范围）时，如图所示向上拉固定板。将工件固定在切割位置。滑动右副基座，使固定板抵住工件的端部。然后使用手拧螺丝固定副基座。

- **图片47：** 1. 固定板 2. 手拧螺丝

凹槽切割

警告： 请勿使用较宽锯片或刨槽锯片尝试这种类型的切割。试图用较宽锯片或刨槽锯片进行凹槽切割会导致意外的切割效果和反弹，从而造成严重的人身伤害。

警告： 在进行非凹槽切割前，请确保把止动臂放回原来的位置。试图在止动臂处于错误位置的情况下进行切割会导致意外的切割效果和反弹，从而造成严重的人身伤害。

进行刨槽型切割时，请执行以下步骤：

1. 使用调节螺丝调节电圆锯锯片的下限位置，并调节止动臂以限制电圆锯锯片的切割深度。请参阅止动臂章节。
2. 在调节好电圆锯锯片的下限位置后，用滑动（推动）切割方法沿工件宽度切割两条平行凹槽。
► **图片48：** 1. 用锯片切割凹槽
3. 用凿子凿去凹槽中间部分的工件材料。

搬运工具

搬运工具前，确保拔出工具插头并固定工具上的所有移动部件。务必检查下述各项：

- 工具插头已拔出。
- 刀架处于 0° 斜切位置并固定。
- 刀架被降下和锁定。
- 刀架已完全滑向自己并锁定。
- 翻转基座位于最大右斜接角位置并固定。

通过握住搬运把手和工具基座一侧，或通过握住工具基座两侧搬运工具。

► **图片49**

► **图片50**

警告： 用于刀架升降的止动销仅用于搬运、存放和调节目的，不能用于任何切割操作。将止动销用于切割操作可能会导致电圆锯锯片意外移动，从而造成反弹和严重的人身伤害。

小心： 搬动工具前，请务必固定好所有可以移动的部件。如果在搬动时工具的部件移动或滑动，则工具会失控或失衡，造成人身伤害。

小心： 务必使用止动销将刀架升降装置正确地锁定在其底部位置。若止动销未正确接合，刀架可能会突然弹起，造成人员伤害。

保养

警告： 检查或保养工具之前，请务必关闭工具电源开关并拔下插头。未关闭电源并拔下电源插头可能会使工具意外启动，导致严重的人身伤害。

警告： 为了达到最佳工作效果并最大程度保证安全，请确保锯片锋利并且干净。试图用较钝和 / 或较脏的锯片进行切割可能会导致反弹和严重的人身伤害。

注意： 切勿使用汽油、苯、稀释剂、酒精或类似物品清洁工具。否则可能会导致工具变色、变形或出现裂缝。

为了保证产品的安全与可靠性，维修、任何其他维修保养或调节需由 Makita（牧田）授权的或工厂维修服务中心完成。务必使用 Makita（牧田）的替换部件。

调节切割角度

该工具在出厂时已经过仔细调节和对齐过，但是使用不细心可能会影响对齐。如果您的工具没有合适地对齐，请进行以下操作：

斜接角度

1. 使用止动销将刀架锁定在降下位置。将刀架推向导向板，然后拧紧手拧螺丝以固定刀架。
2. 使用前挡块功能将翻转基座设到0°位置。（即使指针未指向0°也无妨。）
3. 用六角扳手拧松固定导向板的内六角螺栓。

► **图片51:** 1. 止动销 2. 手拧螺丝 3. 内六角螺栓

4. 使用三角规、直角尺等，使锯片侧面与导向板表面成直角。然后从右按顺序牢固拧紧导向板上的内六角螺栓。

► **图片52:** 1. 导向板 2. 三角规

5. 如果指针没有指向0°，松开固定指针的螺丝，调节指针使其指向0°。

► **图片53:** 1. 螺丝 2. 指针 3. 等径刻度

斜切角度

0°斜切角度

1. 使用止动销将刀架锁定在降下位置。将刀架推向导向板，然后拧紧手拧螺丝以固定刀架。
2. 松开杆。然后将0°调节螺栓沿逆时针方向旋转两到三周，将电圆锯锯片向右边倾斜。

► **图片54:** 1. 杆 2. 0°调节螺栓

3. 沿顺时针方向旋转0°调节螺栓，使用三角规、直角尺等，小心地使锯片侧面与翻转基座顶面对正。然后将杆牢固拧紧以固定您设置的0°角度。

► **图片55:** 1. 三角规 2. 锯片 3. 翻转基座的顶面

4. 如果指针没有指0°，松开固定指针的螺丝，调节指针使其指向0°。

► **图片56:** 1. 螺丝 2. 指针 3. 斜角刻度

45°斜切角度

注意：请在调节好0°斜切角度后调节45°斜切角度。

1. 拧紧手拧螺丝以固定刀架。
 2. 松开杆。然后将刀架完全向左倾斜。
- **图片57:** 1. 手拧螺丝 2. 杆
3. 检查指针是否指向斜切角度规上的45°位置。

如果指针未指向45°位置，请旋转45°调节螺栓使其与45°位置对齐。

► **图片58:** 1. 45°调节螺栓

更换碳刷

定期拆下碳刷进行检查。在碳刷磨损到3mm (1/8") 长时进行更换。请保持碳刷清洁并使其能在碳刷夹内自由滑动。两个碳刷应同时更换。请仅使用相同的碳刷。

► **图片59**

使用螺丝起子拆下碳刷夹盖。取出已磨损的碳刷，插入新的碳刷，然后紧固碳刷夹盖。

► **图片60:** 1. 碳刷夹盖

碳刷更换完毕后，插入工具电源，让工具空载运行10分钟左右以磨合碳刷。然后，在工具运转的过程中检查工具的状态，释放开关扳机检查电动制动器的工作情况。如果电动制动器无法正常工作，请将工具送往Makita（牧田）维修中心进行修理。

使用后

使用后，用布或类似的工具将附着在工具上的碎片和锯屑擦掉。根据前面说明过的“锯片保护罩”部分的指示，保持锯片保护罩清洁。用机油润滑滑动部件防止生锈。

选购附件

⚠警告： 这些Makita（牧田）附件或装置专用于本说明书所列的Makita（牧田）电动工具。如使用其他厂牌附件或装置，则可能会导致严重的人身伤害。

⚠警告： 仅可将Makita（牧田）附件或装置用于规定目的。使用附件或装置不当可能会导致严重的人身伤害。

如您需要了解更多关于这些选购附件的信息，请咨询当地的Makita（牧田）维修服务中心。

- 钢制&硬质合金锯片
- 垂直虎钳
- 集尘袋
- 三角规
- 六角扳手
- 支架套件

注： 本列表中的一些部件可能作为标准配件包含于工具包装内。它们可能因销往国家之不同而异。

規格

型號：	LS1110F	
鋸片直徑	歐洲地區	260 mm
	非歐洲地區	255 mm - 260 mm
孔直徑	歐洲地區	30 mm
	非歐洲地區	25.4 mm
最大鋸片鋸痕厚度	3.2 mm	
最大斜接角度	左側 47°，右側 47°	
最大斜切角度	左側 47°，右側 2°	
無負載轉速 (RPM)	4,500 min ⁻¹ (rpm)	
尺寸 (長 × 寬 × 高)	745 mm x 497 mm x 565 mm	
淨重	16.4 kg	
安全等級	回//	






- 生產者保留變更規格不另行通知之權利。
- 規格可能因銷往國家之不同而異。
- 重量符合EPTA-Procedure 01/2014


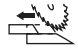


切割能力 (高 × 寬)，鋸片 \varnothing 260 mm

斜接角度	斜切角度		
	45° (左)	0°	2° (右)
0°	50 mm x 310 mm	91 mm x 310 mm	85 mm x 310 mm
45° (左右)	50 mm x 220 mm	91 mm x 220 mm	-

符號

以下顯示本設備可能使用的符號。在使用工具前，請務必理解其涵義。

	請仔細閱讀使用說明書。
	雙重絕緣
	請佩帶護目鏡。
	為避免飛濺的碎片造成傷害，切割後請向下按住鋸頭，直到鋸片完全靜止為止。
	執行滑動切割時，首先將刀架拉到底並按下手柄，然後向著導板推動刀架。

	請勿將手或手指放在靠近鋸片的位置。
	確實將滑板調整至不會觸及鋸片及鋸片保護罩之處。
	請勿注視作業燈。
	僅用於歐盟國家 由於本設備中存有危險組件，廢棄電氣與電子設備可能會對環境與人體健康產生負面影響。請勿將電氣與電子器具和家庭廢棄物一同處理！ 根據針對廢棄電氣與電子設備制訂的歐洲指令及其對本國法律的修改版，應依照環境保護法規個別蒐集廢棄電氣與電子設備，並將其送至都市垃圾獨立回收點。 這類設備會在設備上以打叉的滑輪垃圾桶作為符號標示。

用途

本工具用於對木材進行精確的直線與斜接切割。另可使用適當的鋸片切鋸鋁製材料。如需詳細資訊，請參閱操作章節。

電源

工具的電源電壓應為單相交流電源，且電壓應與標示板所標示的電壓相同。工具採用雙重絕緣設計，因此無需另接地線便可直接與插座相連。

安全警告

一般電動工具安全警告

警告 請通讀本電動工具附帶的所有安全警告、安全事項、插圖和規格。未按照以下列舉安全事項而使用或操作可能導致觸電、火災和/或嚴重傷害。

妥善保存所有的警告和安全事項說明以備將來參考。

在該警告中的「電動工具」是指電網電源供電（接電源線）的電動工具或電池驅動（充電式）的電動工具。

工作場地安全

1. 保持工作場地清潔和明亮。混亂和黑暗的場所會引發事故。
2. 請勿在易爆環境，如有易燃液體、氣體或粉塵的環境下操作電動工具。電動工具產生的火花會點燃粉塵或氣體。
3. 操縱電動工具時不可讓兒童和旁觀者接近。操作時分心會使你無法正常控制機器。

電氣安全

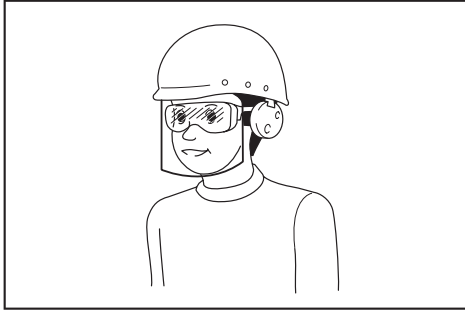
1. 電動工具插頭必須與插座匹配。絕不能以任何方式改裝插頭。需接地的電動工具不能使用任何轉換插頭。使用未經改裝的插頭和與之匹配的插座將減少觸電危險。
2. 工作時，身體不可接觸到接地的金屬體，例如鐵管、散熱器、火爐和冷凍機。如果身體接地會增加觸電危險。
3. 不得將電動工具暴露在雨中或潮濕環境中。若有水進入電動工具將增加觸電危險。

4. 不得腳踏導線。不可拖著導線移行工具或拉導線拔出插頭。還須避免使導線觸及高熱物體、油脂、尖銳邊緣或運動部件。受損或纏繞的導線會增加觸電危險。
5. 當在戶外使用電動工具時，一定要採用戶外專用的延長導線。採用戶外專用的延長導線能減少觸電的危險。
6. 如必須在潮濕的環境中使用電動工具，請使用殘餘電流裝置（RCD）保護電源。使用RCD保護電源能減少觸電的危險。
7. 建議使用為電源配備額定殘餘電流為30 mA以下的RCD保護裝置。
8. 電動工具會產生對使用者無害的電磁場（EMF）。不過，對心律調整器使用者及其他類似醫療器材的使用者而言，請務必先聯絡器材製造商及/或醫師以瞭解相關建議，再操作此類電動工具。
9. 請勿用濕手直接觸碰電源插頭。
10. 若線材損壞，請交由製造商或其代理商更換，以確保使用安全。

人身安全

1. 保持警覺，當操作電動工具時關注所從事的操作並保持清醒。請勿在疲勞時或受到藥物、酒精或治療影響時操作電動工具。在操作電動工具期間分心可能會導致嚴重人身傷害。
2. 使用安全裝置。始終佩帶護目鏡。安全裝置，如適當條件下的防塵面具、防滑安全鞋、安全帽、防護耳罩等設備能減少人身傷害。
3. 避免意外起動。在將工具接上電源和/或電池組以及拿起或搬動電動工具之前，確保開關處於關閉位置。搬運工具時手指放在已接通電源的開關上或開關處於接通時插入插頭可能會引發事故。
4. 在電動工具接通之前，取下所有調節鑰匙或扳手。遺留在電動工具旋轉零件上的扳手或鑰匙會導致人身傷害。
5. 操作時手不要伸得太長。使用時請雙腳站穩，時刻保持平衡。這樣在意外情況下能很好地控制電動工具。
6. 注意衣裝。不要穿寬鬆衣服或佩帶飾品。勿使頭髮和衣服靠近運動部件。寬鬆衣服、佩飾或長發易卷入運動部件。
7. 如果提供了與排屑裝置、集塵設備連接用的裝置，則確保他們連接完好且使用得當。使用集塵設備可減少因碎屑引起的危險。

8. 切勿因頻繁使用本工具而自認熟練導致您大意輕忽工具的安全原則。一時的疏忽隨即會造成人員重傷。
9. 使用電動工具時，請務必配戴護目鏡，以防眼睛受到傷害。護目鏡需符合美國 ANSI Z87.1 標準、歐洲 EN 166 標準或澳洲／紐西蘭 AS/NZS 1336 標準。若於澳洲／紐西蘭地區，法定需配戴面罩以保護臉部。
7. 按照使用說明書，根據作業條件和作業特點來使用電動工具、附件和工具的刀頭等。將電動工具用於那些與要求不符的操作可能會導致危險情況。
8. 手柄及握把表面務必保持乾燥清潔，不沾油脂。如手柄及握把表面油滑，將無法在非預期的情況下安全操控工具。
9. 使用此工具時，請勿穿戴可能會捲入的布質工作手套。布質工作手套捲入移動零件中，會導致嚴重的人身傷害。



雇主有責任監督工具操作者和其他鄰近工作區域的人員穿戴合適的安全保護裝備。

電動工具使用和注意事項

1. 使用電動工具時請勿用蠻力。根據用途使用適當的電動工具。選擇具有適當設計額定值的電動工具會使妳工作更有效、更安全。
2. 如果開關無法接通或關閉工具電源，則不可使用該電動工具。不能用開關來控制的電動工具是危險的且必須進行修理。
3. 在進行任何調整、更換配件或存放電動工具之前，請將插頭從電源上拔下，並且／或將可拆式電池組從工具上取下。此類防護性安全措施可減少電動工具突然起動的危險。
4. 將閒置的電動工具存放在小孩不能拿到之處，並且不要讓不熟悉電動工具或對這些說明不了解的人操作電動工具。電動工具在未經訓練的用戶手中是危險的。
5. 保養電動工具及配件。檢查可移動的部份的對位偏差或卡滯、零件破損情況和影響電動工具運轉的其他條件。如有損壞，電動工具必須在使用之前修理好。許多事故由保養不良的電動工具引發。
6. 保持切削刀具的鋒利和清潔。保養良好的有鋒利切削刃的刀具不易被卡住而且容易控制。

維修

1. 將你的電動工具送交專業維修人員修理，必須使用相同的備件進行更換。這樣將確保所維修的電動工具的安全性。
2. 上潤滑油及更換附件時請遵循本說明書指示。

多角度切斷機安全說明

1. 本多角度切斷機的預定用途為切割木材或仿木製品，不得與切割砂輪連用切割如鐵棒、鐵桿和鐵條等鐵質材料。研磨碎屑會造成下部保護罩等移動部件阻塞。研磨切割所產生的火星會使下部保護罩、鋸痕片及其他塑膠部件燒毀。
2. 如果可以，請使用夾鉗固定工件。若要以手固定工件，手部務必離兩側鋸片至少 100 mm。請勿使用本切斷機切割因過小而無法以夾鉗或手穩固定的物件。若手部太靠近鋸片，會增加碰觸鋸片而受傷的風險。
3. 工件必須保持不動，並緊靠導板與平台以夾鉗或手固定。請勿將工件送入鋸片，或以任何方式「徒手」進行切割。未固定或可移動的工件可能會以高速射擲而出，造成人員受傷。
4. 請以壓下鋸片穿過工件的方式切割。請勿以拉起鋸片穿過工件的方式切割。若要進行切割，請將鋸頭抬起並放置於工件上，此時還不要切割。再起動馬達，壓下鋸頭將鋸片穿過工件。若以上拉衝程切割可能會造成鋸片移動到工件上方，並猛力地將鋸片總成擲向操作員。
5. 無論是鋸片前後，都切勿將手橫放在預定切割線上。以「雙手交錯」的方式固定工件相當危險，即以左手將工件固定於鋸片右側，反之亦然。

► 圖片1

6. 鋸片轉動時，請勿在任一隻手離任一側鋸片 100 mm 內的情況下，為清除木屑或任何其他理由，將身體任何部位伸到導板後方。轉動鋸片到手部的接近程度可能不易察覺，您可能會受到嚴重傷害。
7. 切割前，請檢查工件。若工件彎曲或變形，請以外側彎曲面朝向導板的方式固定之。務必確認工件、導板和平台沿著切割線排列且無間隙。彎曲或變形的工件可能會扭轉或移動，造成切割時黏滯在轉動鋸片上的情形。工件中不得有任何釘子或異物。
8. 除工件外，請在平台上無任何工具、木屑等物品時使用切斷機。小碎片、木材鬆動部位或其他與旋轉鋸片接觸的物體都會以高速射擲而出。
9. 一次請只切割一個工件。疊放多個工件會無法充分固定或支撐，導致切割時黏滯在鋸片上或移動。
10. 使用前，請確認多角度切斷機安裝或安置於水平且平穩的工作表面上。水平且平穩的工作表面可降低多角度切斷機不穩定的風險。
11. 請制定工作計畫。每次變更斜切或斜接角度設定時，請確認可調式導板是否正確放置以支撐工件，且不會阻礙鋸片或保護罩系統的運作。在未將工具開關扳至「開」，且未將工件擺放在平台上的情況下，作動鋸片模擬完整的切割，以確保切割作業不會受到任何阻礙或切割到導板的危險。
12. 針對較平台寬或長的工件提供足夠支撐，如延伸桌或鋸木架等。若沒有穩固支撐，較多角度切斷機平台長或寬的工件可能會傾斜。若切割部位或工件傾斜，可能會使下部保護罩抬起或受轉動鋸片拋出。
13. 請勿令另一人替代延伸桌或作為額外支撐點。在進行切割作業時，工件支撐不穩可能會造成鋸片卡滯或工件移動，而將您和助手拉往旋轉中的鋸片。
14. 切割部位不得以任何方式卡住或壓住旋轉中的鋸片。若使用長度卡尺局限住切割部位，該部位可能會卡住鋸片，並被猛力擲出。
15. 請務必使用可正確固定柱狀或管狀等圓形材料的夾鉗或固定裝置。柱狀材料在切割時會有滾動的傾向，而使鋸片「卡住」，並將工件連同手部捲入鋸片中。
16. 在鋸片接觸到工件前，使其全速運轉。如此可降低工件拋出的風險。
17. 若工件或鋸片變得卡滯，請將多角度切斷機關閉。等待所有移動部件停止，再從插座拔除插頭，及／或取出電池組。接著清除卡住的材料。繼續以卡住的工件進行切割可能會造成工具失控或使多角度切斷機損壞。
18. 切割完成後，請釋放開關，向下按住鋸頭，等待鋸片停止後再取出切割部位。將手部靠近滑動中的鋸片是相當危險的。
19. 進行不完整切割或在鋸頭完全處於下方位置前便釋放開關時，請牢固地握緊手柄。切斷機的停止動作可能會使鋸頭突然下拉，造成受傷風險。
20. 僅使用工具上所標示或說明書中所規定直徑的鋸片。使用尺寸不正確的鋸片，可能會影響鋸片的正確保護或保護罩的操作，從而導致嚴重的人身傷害。
21. 僅使用所標示的速度等於或大於工具上所標示的速度的鋸片。
22. 請勿使用切斷機切割指定材料以外的其他材料。
23. (僅適用於歐洲國家)
用於木材或類似材料時，請務必使用符合 EN847-1 標準的鋸片。

其他說明

1. 請以掛鎖鎖上工作間，確保孩童安全。
2. 切勿站在工具上。若工具傾斜或意外觸碰到切割工具可能會導致嚴重傷害。
3. 切勿在無人注意的情況下使工具運轉。將電源關閉。切勿在工具完全停止前離開工具。
4. 保護罩未安裝於定位時，請勿操作切斷機。在每次使用之前請檢查鋸片保護罩是否正確閉合。如果鋸片保護罩無法自由移動和快速閉合，則請勿使用切斷機。切勿將下部保護罩置於打開位置。
5. 雙手遠離鋸片路徑。避免接觸任何滑動中的鋸片。否則會造成嚴重的人員傷害。
6. 為降低受傷風險，請在每次橫切作業後將刀架回復至正後方的位置。
7. 搬運工具前，請務必固定所有移動部位。
8. 將鋸頭鎖在下位的止動銷或擋桿僅供搬運與存放用途，並非用於任何切割操作。

9. 操作前，請仔細檢查鋸片上是否有裂縫或損傷。若有裂縫或受損情形，請立即更換鋸片。黏留在鋸片上變硬的樹脂和木瀝青會使鋸片的速度變慢，增加出現反彈的機率。因此，請先將鋸片從工具上拆下，然後使用樹膠和樹脂清除劑、熱水或煤油進行清潔。切勿使用汽油清潔鋸片。
10. 進行滑動切割時，可能會出現反彈情況。在切割作業期間，鋸片卡在工件中時會發生反彈，鋸片會迅速朝操作員移動。此時可能會導致工具失控及嚴重人員受傷。若鋸片在切割作業時開始出現卡滯情形，請勿繼續切割，並立即釋放開關。
11. 僅可使用本工具專用法蘭盤。
12. 請小心勿損壞主軸、法蘭盤（特別是安裝表面）或螺絲。這些部件的損壞會導致鋸片破裂。
13. 確保旋轉基座正確固定，以免在操作過程中移動。使用基座上的孔洞，將切斷機固定於穩定的工作平台或工作台上。切勿將工具放置在操作員難以操作的位置。
14. 打開開關前，請確保軸鎖已釋放。
15. 確認鋸片不會在最下方的位置，接觸到旋轉基座。
16. 緊握手柄。注意在開始和停止切割時，切斷機會略微向上或向下移動。
17. 開啟開關前，請確保鋸片未與工件接觸。
18. 在實際的工件上使用工具之前，請讓工具空轉片刻。請注意，振動或搖擺可能表示鋸片安裝不良或失衡。
19. 如果您發現有任何異常，請立即停止操作。
20. 請勿試圖將開關扳機鎖定在「開」位置。
21. 請務必使用本說明書中建議的附件。使用如砂輪等不當的附件可能會造成傷害。
22. 有些材料含有毒化學物質。小心不要吸入粉塵，並避免皮膚接觸。遵循材料供應商的安全提示。

有關作業燈的其他安全規則

1. 請勿直視光源。

妥善保存這些手冊。

警告：請勿為圖方便或因對產品足夠熟悉（因重複的使用）而不嚴格遵循產品的安全規則。使用不當或不遵循本說明書中的安全規則會導致嚴重的人身傷害。

部件說明

► 圖片2

1	調整螺絲（下限位置）	2	止動臂	3	集塵袋	4	指旋螺絲（滑動刀架）
5	指針（斜切角度）	6	斜切角刻度	7	滑桿	8	垂直虎鉗
9	滑板	10	0°調整螺絲（斜切角度）	11	導板	12	底基座
13	旋轉基座	14	斜接角刻度	15	指針（斜接角度）	16	鋸痕板
17	調整螺絲（旋轉基座）	18	鎖定桿（旋轉基座）	19	把手（旋轉基座）	20	集塵安全蓋
21	鋸片保護罩	22	燈	23	手柄（操作）	24	開關扳機
25	掛鎖孔	26	保護鎖按鈕	27	提把	-	-

► 圖片3

1	燈光開關	2	軸鎖	3	調整螺絲（最大切割能力）	4	止動銷（抬起刀架）
5	固定板	6	六角扳手	7	45°調整螺絲（斜切角度）	8	桿件（斜切角度）
9	釋放鈕（斜切角度）	-	-	-	-	-	-

安裝

工作台安裝

警告： 確保工具不會在支撐表面上移動。切割期間切斷機在支撐表面上移動會導致失控和嚴重的人身傷害。

1. 使用螺栓將基座固定在一個平坦穩固的表面上。這樣可以防止傾覆並避免可能的人身傷害。

▶ 圖片4: 1. 螺栓 2. 安裝孔

2. 順時針或逆時針轉動調整螺栓，使其與地板表面接觸以保持工具平穩。

▶ 圖片5: 1. 調整螺栓

功能描述

警告： 在調整或檢查工具功能之前，請務必關閉工具電源開關並拔下電源插頭。否則可能會因意外啟動造成嚴重的人員傷害。

把手鎖

小心： 鬆開止動鎖時請務必握住把手。否則，把手將彈起並可能導致人身傷害。

工具出廠時，手柄會以止動鎖鎖定於最下方的位置。若要解鎖手柄，拉動止動鎖同時稍微降低手柄。

▶ 圖片6: 1. 止動鎖

滑動鎖

若要讓刀架能滑動移動，請鬆開支臂上的指旋螺絲。若要鎖定刀架的滑動動作，請將刀架移到所需位置，然後鎖緊指旋螺絲。

▶ 圖片7: 1. 夾緊螺絲 2. 支臂

鋸片保護罩

警告： 切勿損壞或拆卸鋸片保護罩，或安裝在保護罩上的彈簧。操作期間保護罩損壞會使圓鋸機鋸片暴露在外，進而導致嚴重的人員傷害。

警告： 切勿在鋸片保護罩或彈簧損壞、發生故障或拆下的情況下使用工具。在保護罩損壞、發生故障或拆下的情況下操作工具會導致嚴重的人身傷害。

小心： 為確保操作安全，請務必保持鋸片保護罩良好。如果鋸片保護罩存在任何不規則情況，請立即停止操作。檢查並確保保護罩返回彈簧可正常工作。

降下把手時，鋸片保護罩會自動升起。保護罩裝有彈簧，完成切割並升起把手時，它則會返回至原位。

▶ 圖片8: 1. 鋸片保護罩

清潔

若透明鋸片保護罩髒汙或黏附在透明鋸片保護罩上的鋸屑，影響您觀看圓鋸機鋸片和/或工件的視線，拔除工具的插頭，並使用溼潤的棉布小心清潔保護罩。請勿使用化學溶劑或任何汽油類清潔劑清潔塑料保護罩，否則會損壞保護罩。

關於清潔的準備作業，請參考列出的逐步說明。

1. 確定工具已關閉電源並拔除插頭。
2. 握住中央蓋板，同時使用所附六角扳手逆時針轉動六角套筒螺絲。
3. 升起鋸片保護罩和中央蓋板。
4. 完成清潔後，將中央蓋板放回原位並按與上述步驟相反的順序緊固六角套筒螺絲。

▶ 圖片9: 1. 六角扳手 2. 六角套筒螺絲 3. 中央蓋板 4. 鋸片保護罩

警告： 請勿拆卸固定鋸片保護罩的彈簧。若保護罩因老化或照射 UV 光而受損，請聯絡 Makita (牧田) 維修服務中心更換新的保護罩。切勿損壞或拆卸保護罩。

定位鋸痕板

本工具的旋轉基座上配有鋸痕板，可將切割邊破裂的情況降到最低。鋸痕板在出廠前已經過調整，使圓鋸機鋸片不會接觸到鋸痕板。使用前，請按照以下步驟調整鋸痕板：

1. 確認已拔除工具插頭。然後，鬆開固定鋸痕板的所有螺絲（左右各三支）。

▶ 圖片10: 1. 鋸痕板 2. 螺絲

2. 重新將其緊固至仍可輕鬆手動移動鋸痕板的程度。

3. 完全降下手柄，然後以止動鎖將手柄鎖定於下方位置。

4. 鬆開支臂上固定刀架滑動動作的指旋螺絲。

將刀架往自己的方向拉到底。

▶ 圖片11: 1. 夾緊螺絲 2. 支臂

5. 調整鋸痕板，使其靠近鋸片的鋸齒側面。

▶ 圖片12

▶ 圖片13: 1. 圓鋸機鋸片 2. 鋸齒 3. 鋸痕板
4. 左斜切割 5. 筆直切割

6. 擰緊前側螺絲（勿充分緊固）。

7. 將刀架滑動至鋸痕板前端與導板之間的位置。調整鋸痕板，使其靠近鋸片的鋸齒側面。

8. 鎖緊中央螺絲（勿過緊）。

9. 將刀架往導板方向推到底，然後調整鋸痕板，使其靠近鋸片的鋸齒側面。

10. 鎖緊後螺絲（勿過緊）。

11. 鬆開手柄鎖的止動銷並升起手柄。然後牢固地鎖緊全部螺絲。

注意：設定斜切角度後，請確保鋸痕板已經過正確調整。正確調節鋸痕板將有助於為工件提供適當的支撐，從而最小化工件撕裂的風險。

保持最大切割能力

本工具已進行出廠調節，可使用 260 mm 的圓鋸機鋸片發揮最大切割能力。

安裝新的圓鋸機鋸片時，請務必檢查圓鋸機鋸片的下限位置，並在必要時進行以下調整：

1. 拔除工具插頭。然後，將刀架完全推向導板，並將手柄完全降下。

2. 用六角扳手（螺絲起子側）擰動調整螺栓，直至圓鋸機鋸片略低於導板的橫截面和旋轉基座的上表面。

▶ 圖片14: 1. 調整螺栓 2. 導板

▶ 圖片15

3. 用手旋轉圓鋸機鋸片，同時完全降下手柄，確保圓鋸機鋸片不會與下部基座的任何部分接觸。視需要重新調整最大切割能力。

警告：安裝新圓鋸機鋸片並將工具插頭拔下之後，請務必確保在完全降下手柄時，圓鋸機鋸片不會與下部基座的任何部分接觸。若圓鋸機鋸片與基座接觸，可能會反彈，進而造成嚴重的人身傷害。

▶ 圖片16

止動臂

使用止動臂可以輕鬆調整鋸片的下限位置。若要調整下限位置，請將止動臂依圖示中的箭頭方向轉動。轉動調整螺絲，使鋸片能夠在完全降下手柄時，停在所需位置。

▶ 圖片17: 1. 止動臂 2. 調整螺絲

調節斜接角度

小心：完成斜接角度的變動時，請務必緊固把手以固定旋轉基座。

注意：轉動旋轉基座時，請確保完全升起把手。

以逆時針方向轉動把手解鎖旋轉基座。在抬起鎖定桿的同時，轉動把手移動旋轉基座。將指針對準斜接角度刻度上所需角度，接著鎖緊把手。

▶ 圖片18: 1. 鎖定桿 2. 把手 3. 指針

主動止動功能

本多角度切斷機採用主動止動功能。可迅速設定 0°、15°、22.5°、31.6° 與 45° 的右/左斜接角度。若要使用本功能，請在抬起鎖定桿的同時，將旋轉基座移動至所需主動止動角度。接著釋放鎖定桿並將旋轉基座移動至所需主動止動角度，直到旋轉基座鎖定為止。

調節斜切角度

小心：變更斜切角度後，請務必順時針鎖緊桿件以固定支臂。

注意：調整斜切角度前，務必先取下垂直虎鉗。

注意：傾斜圓鋸機鋸片時，請確保刀架已完全升起。

注意：變更斜切角度時，請務必按照定位鋸痕板相關章節所述，適當重新調整鋸痕板位置。

注意：請勿過度鎖緊桿件。否則，斜切角度的鎖定機構可能會損壞。

將圓鋸機鋸片往左側傾斜 0° - 45°

1. 逆時針轉動桿件。
2. 握住把手並將刀架向左傾斜。
3. 將指針對準斜切角度刻度上所需角度。

4. 順時針鎖緊桿件以固定支臂。

▶ 圖片19: 1. 桿件 2. 把手 3. 指針 4. 斜切角度度

將圓鋸機鋸片往左方 0° - 45° 外傾斜

1. 逆時針轉動桿件。
2. 握住手柄，並在右側 2° 時，將刀架設於 0°，或在左側 47° 時設於 45°。
3. 將刀架稍微傾斜至另一側。
4. 按下釋放鈕。
5. 將刀架傾斜至 0° - 45° 範圍外的所需位置。
6. 順時針鎖緊桿件以固定支臂。

將刀架傾斜至右側 2° 時

▶ 圖片20: 1. 桿件 2. 手柄 3. 釋放鈕

將刀架傾斜至左側 47° 時

▶ 圖片21: 1. 桿件 2. 手柄 3. 釋放鈕

開關操作

警告： 插上工具插頭前，請務必檢查開關扳機是否可正常作動，並在釋放開關時回到「關閉」位置。請勿在未按下保護鎖按鈕時，用力扣動開關扳機。否則會導致開關破裂。操作開關無法正常作動的工具會導致工具失控並造成嚴重的人員傷害。

警告： 切勿在無法完全操控開關扳機的狀態下使用工具。使用任何帶有不良開關的工具會產生極高的危險性，必須在繼續使用工具前進行維修，否則會導致嚴重人身傷害。

警告： 切勿透過用膠帶封住保護鎖按鈕或其他方法來使其無法工作。保護鎖按鈕無法工作的開關會導致工具意外運行和嚴重的人身傷害。

警告： 若工具可在僅扣動開關扳機而未按下保護鎖按鈕的情況下運行，請不要使用工具。使用需要維修的開關會導致工具意外運行和嚴重的人身傷害。在繼續使用工具前，請將其返回至Makita (牧田) 維修服務中心進行修復。

為避免使用者不小心扣動開關扳機，此工具採用保護鎖按鈕。要啟動工具時，只需按下保護鎖按鈕，然後扣動開關扳機。釋放開關扳機便可停止工具。

開關扳機上設有掛鎖孔，可插入掛鎖鎖定工具。

▶ 圖片22: 1. 開關扳機 2. 保護鎖按鈕 3. 掛鎖孔

警告： 請勿使用鎖軸或鎖鏈直徑小於 6.35 mm 的鎖。鎖軸或鎖鏈較小可能無法將工具正確鎖定於關閉位置，而出現意外啟動導致嚴重人員傷害的情況。

投射切割線

小心： 此燈不具防水性能。請勿在水中清洗此燈，或是在雨中或潮濕地區使用此燈。否則可能會導致觸電和冒煙。

小心： 請勿觸碰燈具鏡片，因為燈亮起和剛熄滅時，溫度非常高。這可能會造成燙傷。

小心： 請勿碰撞此燈，否則可能會導致損壞或縮短其使用壽命。

小心： 不要直視燈光或光源。

LED 燈會將光線投射到圓鋸機鋸片上，這時鋸片的陰影會落在工件上，可作為免校正切割指示線。按下燈光開關可照射燈光。照射出的切割線可讓鋸片接觸工件表面，並隨著鋸片降低而變深。

▶ 圖片23: 1. 燈光開關 2. 燈 3. 切割線

此指示線有助於切開在工件上標示的現有切割線。

1. 握住手柄並降低圓鋸機鋸片，使鋸片的深色陰影投射到工件上。
2. 將工件上繪製的切割線對齊陰影切割線。
3. 視需要調整斜接角度和斜切角度。

注： 務必在使用後，將燈光開關關閉。否則燈具會維持高溫狀態。

電子功能

柔啟動功能

本功能可以限制啟動扭力的方式，讓工具平順地啟動。

裝配

警告： 使用工具前，請務必關閉工具開關並拔下插頭。否則可能會造成嚴重的人員傷害。

六角扳手的存放

不使用時，請如圖所示存放六角扳手，以防遺失。

▶ **圖片24:** 1. 六角扳手

安裝或拆卸圓鋸機鋸片

警告： 拆卸與安裝圓鋸機鋸片前，請務必關閉工具電源並拔下插頭。工具意外啟動會造成嚴重的人身傷害。

警告： 僅可使用隨附的 Makita (牧田) 扳手拆卸與安裝圓鋸機鋸片。否則可能會導致六角套筒螺栓鎖得過緊或緊度不足，而導致嚴重的人身傷害。

警告： 切勿使用或替換非本工具隨附的部件。使用這類部件可能導致嚴重受傷。

警告： 安裝圓鋸機鋸片後，務必確定其已穩固安裝。圓鋸機鋸片鬆脫可能會導致嚴重的人身傷害。

安裝或拆卸圓鋸機鋸片的通用準備工作

1. 拉動止動銷即可解除鎖定刀架，然後將刀架移至抬起位置。

2. 使用六角扳手鬆開固定中央蓋板的六角套筒螺栓。然後，升起鋸片保護罩和中央蓋板。

▶ **圖片25:** 1. 六角扳手 2. 六角套筒螺栓 3. 中央蓋板 4. 鋸片保護罩

安裝圓鋸機鋸片

小心： 安裝圓鋸機鋸片時，確定圓鋸機鋸片上的箭頭方向與鋸片盒上的箭頭方向一致。否則會導致人員傷害，並造成工具及/或工件受損。

1. 完成「安裝或拆卸圓鋸機鋸片的通用準備工作」中的步驟。

2. 按下軸鎖以鎖定心軸並使用六角扳手順時針鬆開六角套筒螺栓。然後拆下六角套筒螺栓、外法蘭和圓鋸機鋸片。

▶ **圖片26:** 1. 六角套筒螺栓 (左手側) 2. 外法蘭盤 3. 軸鎖

3. 小心地將圓鋸機鋸片安裝至內法蘭上。確保圓鋸機鋸片上的箭頭方向與鋸片盒上的箭頭方向一致。

▶ **圖片27:** 1. 箭頭

4. 裝上外法蘭盤及六角套筒螺栓。在壓下軸鎖的同時，使用六角扳手逆時針確實鎖緊六角套筒螺栓 (左手側)。

▶ **圖片28:** 1. 六角套筒螺栓 (左手側) 2. 外法蘭盤 3. 圓鋸機鋸片 4. 擋圈 5. 內法蘭盤 6. 心軸

▶ **圖片29:** 1. 六角套筒螺栓 (左手側) 2. 外法蘭盤 3. 軸鎖

5. 將鋸片保護罩和中央蓋板裝回原位。然後鎖緊中央蓋板上的六角套筒螺栓以將其緊固。

降下刀架並檢查鋸片保護罩可以正常移動。

▶ **圖片30:** 1. 六角扳手 2. 六角套筒螺栓 3. 中央蓋板 4. 鋸片保護罩

拆卸圓鋸機鋸片

1. 完成「安裝或拆卸圓鋸機鋸片的通用準備工作」中的步驟。

2. 將軸鎖壓入以鎖定心軸。使用六角扳手順時針鬆開六角套筒螺栓。然後拆下六角套筒螺栓、外法蘭和圓鋸機鋸片。

▶ **圖片31:** 1. 六角套筒螺栓 (左手側) 2. 外法蘭盤 3. 軸鎖

3. 若拆下了內法蘭，請將其安裝至心軸，並使其鋸片安裝部件朝向圓鋸機鋸片。如果沒有正確安裝法蘭，法蘭將會與機器發生摩擦。

▶ **圖片32:** 1. 六角套筒螺栓 (左手側) 2. 外法蘭盤 3. 圓鋸機鋸片 4. 擋圈 5. 內法蘭盤 6. 心軸

注意： 請注意勿將取下的外法蘭和六角套筒螺栓遺失。

連接吸塵器

若欲使切割過程乾淨整潔，可連接 Makita (牧田) 吸塵器。

注意： 視所使用的吸塵器和軟管類型而定，集塵口可能會遭到集塵安全蓋遮住，導致無法收集灰塵。在此情況下，請減弱吸塵器的吸力。

▶ **圖片33:** 1. 集塵安全蓋

集塵袋

⚠️ 小心： 進行切割時，務必裝上集塵袋或連接吸塵器，以避免因碎屑而引起的危險。

使用集塵袋可使切割過程保持清潔，並使集塵工作更為輕鬆簡便。若要安裝集塵袋，請將集塵袋連接至集塵噴嘴。

▶ **圖片34:** 1. 集塵袋 2. 集塵噴嘴

集塵袋約半滿時，請從工具上取下集塵袋並拉出扣件。清空集塵袋內的灰塵，輕輕拍打集塵袋以去除附著在內部的粉塵微粒，以免阻礙集塵。

▶ **圖片35:** 1. 扣件

固定工件

⚠️ 警告： 始終使用適當類型的虎鉗正確固定工件至關重要。否則會導致嚴重的人身傷害以及工具和/或工件的受損。

⚠️ 警告： 完成切割操作後，請勿在鋸片完全靜止前抬起鋸片。抬起滑動中的鋸片會導致嚴重的人身傷害並損壞工件。

⚠️ 警告： 切割比多角度切斷機支撐基座長的工作時，超出支撐基座的材料皆須以一致的高度支撐，使其維持水平。正確支撐工件可避免會造成嚴重人員傷害的鋸片收縮和反彈發生。請勿僅依靠垂直虎鉗固定工件。薄材料容易垂墜。請支撐工件的全部長度，以避免發生鋸片收縮和可能的反彈。

▶ **圖片36:** 1. 支撐件 2. 旋轉基座

導板

⚠️ 警告： 操作工具前，請確保滑板已使用夾緊螺絲確實固定。

⚠️ 警告： 進行斜切割前，請確認在任何位置完全降下與抬起手柄，且刀架在作動範圍內移動時，工具任一部位（特別是圓鋸機鋸片），皆不會接觸到導板。若工具或圓鋸機鋸片與導板接觸，會導致反彈或材料無預警移動，造成嚴重的人員受傷。

本工具配備滑板。執行左斜切割時，鬆開夾緊螺絲並移動滑板，使其不會妨礙刀架移動。鎖緊夾緊螺絲以固定滑板。

▶ **圖片37:** 1. 滑板 2. 導板 3. 夾緊螺絲

垂直虎鉗

⚠️ 警告： 整個操作過程中，工件必須以虎鉗緊靠旋轉基座和導板固定。若工件未正確依靠導板固定，材料會在切割過程中移動，如此可能會使鋸片受損，導致材料拋出及工具失控，而發生嚴重人員受傷的情形。

垂直虎鉗可安裝至基座左側、基座右側或底基座左側的開孔裡。

平按工件並使其抵住導板和旋轉基座。放置工件至理想的切割位置並擰緊虎鉗旋鈕將其牢牢固定。

確保在完全降下手柄時，工具的任何部位皆不會與垂直虎鉗接觸。若有任一部位接觸到垂直虎鉗，請重新調整垂直虎鉗的位置。

▶ **圖片38:** 1. 開孔 2. 虎鉗旋鈕

底基座

⚠️ 警告： 請務必將較長的工作支撐至與旋轉基座上表面相齊平的位置，以獲得更佳的切割精度並防止因工具失控而引起的危險。正確支撐工件可避免會造成嚴重人員傷害的鋸片收縮和反彈發生。

⚠️ 警告： 執行切割操作前，務必用指旋螺絲緊固底基座。

為了方便水平固定長工件，工具兩側皆配備底基座。鬆開指旋螺絲，並將底基座延伸至可固定工件的適當長度。接著，將指旋螺絲鎖緊。

▶ **圖片39:** 1. 底基座 2. 指旋螺絲

切割時，平按工件並使其抵住導板。

▶ **圖片40:** 1. 導板 2. 底基座

操作

本工具適用於切割木質產品。也可使用適當的Makita（牧田）原裝鋸片切鋸下列材料：

— 鋁製產品

關於欲切斷材料適用的圓鋸機鋸片，請參閱我們的網站或聯絡當地 Makita（牧田）經銷商。

警告： 打開開關前，請確保鋸片未與工件等接觸。若在鋸片與工件接觸的情況下開啟工具，會導致反彈和嚴重的人身傷害。

警告： 完成切割操作後，請勿在鋸片完全靜止前抬起鋸片。抬起滑動中的鋸片會導致嚴重的人身傷害並損壞工件。

警告： 請勿在鋸片轉動時，旋轉工具上的把手、旋鈕與桿件等進行調整。在鋸片轉動時進行調整，可能會導致嚴重的人身傷害。

小心： 請勿讓鋸頭從完全向下位置以不受控的方式釋放。失去控制的鋸頭可能會擊中您，並造成人身傷害。

注意： 使用前，請將止動銷鬆開，並自最低位置放開手柄。

注意： 切割時，請勿向把手過度施壓。過度施壓則會導致電機過載和/或降低切割效率。僅使用可以順暢切割而不會顯著降低鋸片速度的力度按下把手。

注意： 輕按手柄進行切割。若過度用力按下手柄或對其施加側面壓力，則鋸片會產生振動並在工件上留下切痕（切割痕跡），進而影響切割精度。

注意： 滑動切割過程中，請持續將刀架輕推向導板。若在切割過程中停止移動刀架，會在工件上留下切痕，並影響切割精度。

按壓切割

警告： 進行按壓切割時，請務必鎖定刀架的滑動動作。否則，可能會發生反彈，而導致嚴重的人員受傷。

可按照以下方式切割高度不超過 91 mm，寬度不超過 90 mm 的工件。

1. 將刀架往導板方向推動直到其停止，並以指旋螺絲將其鎖定。
2. 使用正確類型的虎鉗固定工件。
3. 開啟工具開關，待圓鋸機鋸片轉速達到全速時再降下與工件接觸。
4. 輕輕降下把手至最下方位置以切割工件。
5. 完成切割後，關閉工具電源並等待圓鋸機鋸片完全停止後，再將圓鋸機鋸片歸回完全抬起位置。

► 圖片41: 1. 指旋螺絲

滑動（推動）切割（切割寬幅工件）

警告： 執行滑動切割時，首先將刀架完全拉向自身並將把手按至最下方位置，然後向著導板推動刀架。切勿在刀架未完全拉向自身的情況下開始進行切割操作。如果您在刀架未完全拉向自身的情況下執行滑動切割，可能會導致意外的反彈和嚴重的人身傷害。

警告： 切勿在將刀架拉向自身期間試圖執行滑動切割。切割期間將刀架拉向自身可能會導致意外的反彈和嚴重的人身傷害。

警告： 切勿在將把手鎖定在下方位置的情況下進行滑動切割。

1. 鬆開指旋螺絲，使刀架可自由滑動。
2. 使用正確類型的虎鉗固定工件。
3. 將刀架完全拉向自身。
4. 開啟工具開關，待圓鋸機鋸片轉速達到全速時，再與工件接觸。
5. 按下把手，向導板推動刀架並通過工件。
6. 完成切割後，關閉工具電源並等待鋸片完全停止後，將鋸片歸回完全抬起位置。

► 圖片42: 1. 指旋螺絲

斜接切割

請參閱調整斜接角度的章節。

斜切割

警告： 針對斜切割設定鋸片後，請在操作工具前，確保刀架和鋸片可在欲切割的整個範圍內自由移動。切割期間，刀架或鋸片移動中斷，會導致反彈和嚴重的人員傷害。

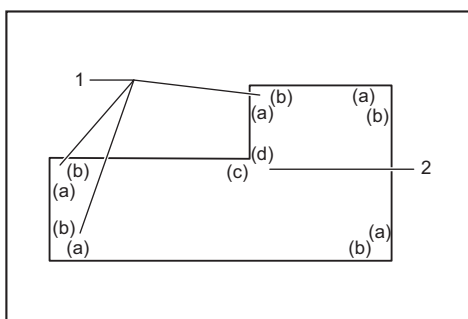
警告： 進行斜切割時，請將雙手遠離鋸片路徑。切割時，鋸片的角度可能會使操作者搞混實際的鋸片路徑而接觸鋸片，造成嚴重的人身傷害。

警告： 鋸片完全停止之前，不能升起鋸片。斜切割期間，切下的碎片可能會抵住鋸片。如果在鋸片旋轉期間將其升起，則切下的碎片可能會遭鋸片彈出，使材料破碎並因而導致嚴重的人身傷害。

注意： 按下把手時，請施加與鋸片平行的力量。若施加力量與旋轉基座垂直，或在切割過程中變換施力方向，皆會影響切割精度。

1. 請在左側設定滑板，以免與刀架接觸。
2. 解鎖止動銷並鬆開支臂上的指旋螺絲，使刀架抬升且可自由滑動。
3. 按照調整斜切角度章節中的所述步驟，調整斜切角度。然後鎖緊把手。
4. 使用虎鉗固定工件。
5. 將刀架完全拉向自身。
6. 開啟工具開關，待圓鋸機鋸片轉速達到全速時，再使圓鋸機鋸片與工件接觸。
7. 在對圓鋸機鋸片施加平行力量的同時，輕輕將手柄降至最下方位置，然後將刀架推向導板以切割工件。
8. 完成切割後，關閉工具電源並等待圓鋸機鋸片完全停止後，將鋸片歸回完全抬起位置。

► 圖片43



1. 內角 2. 外角

測量

測量牆體寬度並相應調整工件的寬度。請務必確保工件的牆體接觸邊的寬度與牆體長度相等。

► 圖片45: 1. 工件 2. 牆體寬度 3. 工件寬度 4. 牆體接觸邊

請務必進行多次試切割以確定入鋸角度。進行頂角線和拱形飾條切割時，請按照表 (A) 所示設定斜切角度和斜接角度並按照表 (B) 所示將模板放置在電鋸基座的上表面。

複合式切割

複合式切割是使用斜切割方式的同時在工件上切割出斜接角。使用複合式切割可以切出表中所示角度。

斜接角度	斜切角度
左與右 0° - 45°	左 0° - 45°

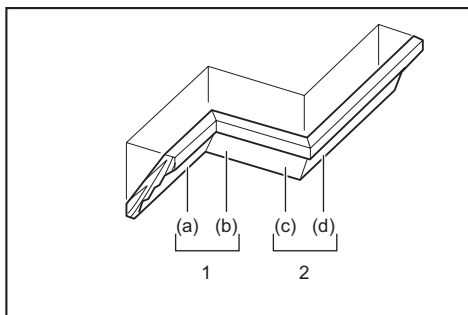
進行複合式切割時，請參閱按壓切割、滑動（推動）切割、斜接切割和斜切割的章節。

切割頂角線和拱形飾條

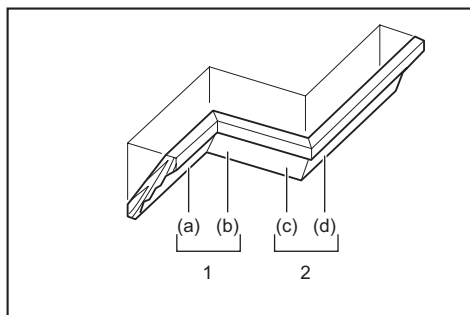
可將頂角線和拱形飾條平放在旋轉基座上使用角度切斷機對其進行切割。有兩種普通類型的頂角線和一種類型的拱形飾條；分別是52/38°頂角線、45°頂角線和45°拱形飾條。

► 圖片44: 1. 52/38°頂角線 2. 45°頂角線 3. 45°拱形飾條

可以切割出頂角線和拱形飾條以適合「內」90°角（如圖中的(a)和(b)）以及「外」90°角（如圖中的(c)和(d)）。



1. 內角 2. 外角



1. 內角 2. 外角

表 (A)

—	圖中的模板位置	斜切角度		斜接角度	
		52/38°型	45°型	52/38°型	45°型
內角	(a)	左 33.9°	左 30°	右 31.6°	右 35.3°
	(b)			左 31.6°	左 35.3°
外角	(c)			右 31.6°	右 35.3°
	(d)			左 31.6°	左 35.3°

表 (B)

—	圖中的 模板位置	模板邊緣 抵住導板	完成件
內角	(a)	頂部接觸 邊緣應抵 住導板。	完成件會 位於圓鋸 機鋸片左 側。
	(b)	牆體接觸 邊緣應抵 住導板。	
外角	(c)	頂部接觸 邊緣應抵 住導板。	完成件會 位於圓鋸 機鋸片右 側。
	(d)	頂部接觸 邊緣應抵 住導板。	

示例：

以切割圖中位置(a)處的52/38°頂角線為例：

- 傾斜並固定斜切角度設定至左側33.9°。
- 調整並固定斜接角度設定至右側31.6°。
- 將頂角線放置在旋轉基座上（使其寬幅背（隱藏）面朝向旋轉基座）並使其頂部接觸邊緣抵住電鋸上的導板。
- 完成切割後，所使用的完成件會始終位於圓鋸機鋸片的左側。

切割鋁型材

請使用圖示中的墊塊或廢棄材料固定鋁擠型材料，以免變形。切割鋁擠型材料時請使用切割潤滑油，以免鋁材聚積於圓鋸機鋸片上。

警告：切勿嘗試切割厚重或圓形的鋁擠型材料。厚重或圓形的鋁擠型材料可能難以固定，工件可能會在切割期間鬆脫，而導致工具失控與嚴重的人員受傷。

- 圖片46: 1. 虎鉗 2. 墊塊 3. 導板 4. 鋁擠型材料 5. 墊塊

切割重複長度

將數塊原料切割為相同長度（225 mm 至 350 mm 的範圍）時，請依照圖示將固定板拉起。

將工件固定在要切割的位置上。滑動右側底基座，使固定板抵住工件的端部。然後使用指旋螺絲固定底基座。

- 圖片47: 1. 固定板 2. 指旋螺絲

切割凹槽

警告：請勿使用較寬的鋸片或凹槽鋸片嘗試進行這種類型的切割。使用較寬的鋸片或凹槽鋸片嘗試進行凹槽切割會引起意外切割以及反彈的狀況，從而導致嚴重的人身傷害。

警告：進行非凹槽切割時，請務必將止動臂置於原先位置。在止動臂位於錯誤位置的情況下進行切割會引起意外切割以及反彈的狀況，從而導致嚴重的人身傷害。

進行凹槽切割時，請執行以下步驟：

1. 調整圓鋸機鋸片的下限位置，可使用調整螺絲和止動臂限制圓鋸機鋸片的切割深度。請參閱止動臂的章節。
2. 調整圓鋸機鋸片的下限位置後，請使用滑動（推動）切割方式沿工件寬度上切出平行的凹槽。
► 圖片48: 1. 使用鋸片切割凹槽
3. 使用槽鑿除去凹槽中的工件材料。

移動工具

搬運工具前請務必拔除工具插頭，並將工具上所有可移動部件固定好。務必檢查下列事項：

- 工具插頭已拔除。
- 刀架的斜切角度位於 0° 位置並已固定。
- 刀架已降下且鎖定。
- 刀架已完全朝您的方向滑動並鎖定。
- 旋轉基座位於斜接角最右側位置並固定。

搬運工具時，握住提把和工具基座的一側，或是握住工具基座的兩側。

- 圖片49

- 圖片50

警告：抬升刀架的止動銷僅供搬運、存放與調整用途，並非用於任何切割操作。將止動銷用於切割操作可能會造成圓鋸機鋸片意外移動，而導致反彈和嚴重的人員傷害。

小心：搬運工具前，請務必固定所有移動部位。如果搬運工具時，部分部位移動或滑動，可能會導致工具失控或失去平衡，而導致人員受傷。

小心：務必以止動銷將抬升刀架正確鎖定至其底部。如果止動銷沒有正確接合，刀架可能突然彈起而導致人身傷害。

保養

警告： 在準備進行檢查或保養之前，務必關閉本工具的開關並拔下電源插頭。否則可能會意外啟動工具，而導致嚴重的人員傷害。

警告： 請務必確保鋸片鋒利與清潔，以獲得最佳和最安全的切割性能。試圖使用較鈍和/或較髒的鋸片進行切割，可能會導致反彈和嚴重的人身傷害。

注意： 切勿使用汽油、苯、稀釋劑、酒精或類似物品清潔工具。否則可能會導致工具變色、變形或出現裂縫。

為了保證產品的安全與可靠性，任何維修或其他維修保養工作需由Makita（牧田）授權的或工廠維修服務中心來進行。務必使用Makita（牧田）的更換部件。

調節切割角度

本工具在出廠時已進行精心調整和對齊，但是粗暴的操作使用可能會影響其對齊性能。若您的工具未正確對齊，請執行以下步驟：

斜接角度

1. 利用止動銷，將刀架鎖定至降下位置。將刀架推向導板，並鎖緊指旋螺絲以固定刀架。
2. 利用主動止動功能，將旋轉基座設於 0° 位置。（若指針未指向 0°，請維持原樣。）
3. 使用六角扳手鬆開固定導板的六角套筒螺絲。

▶ **圖片51:** 1. 止動銷 2. 指旋螺絲 3. 六角套筒螺絲

4. 使用三角尺或直角尺，使鋸片側和導板面成直角。然後將導板上的六角套筒螺絲，從右側依序確實鎖緊。

▶ **圖片52:** 1. 導板 2. 三角尺

5. 若指針未指向 0°，請鬆開固定指針的螺絲，然後調整指針使其指向 0°。

▶ **圖片53:** 1. 螺絲 2. 指針 3. 斜接刻度

斜切角度

0°斜切角度

1. 利用止動銷，將刀架鎖定至降下位置。將刀架推向導板，並鎖緊指旋螺絲以固定刀架。
2. 鬆開桿件。逆時針旋轉 0° 調整螺絲兩到三圈，將圓鋸機鋸片傾斜至右側。

▶ **圖片54:** 1. 桿件 2. 0° 調整螺絲

3. 請順時針轉動 0° 調整螺絲，並使用三角尺或直角尺小心地使鋸片側和旋轉基座上表面成直角。接著確實鎖緊桿件以固定所設定的 0° 角。

▶ **圖片55:** 1. 三角尺 2. 鋸片 3. 旋轉基座上表面

4. 若指針未指向 0°，請鬆開固定指針的螺絲，然後調整指針使其指向 0°。

▶ **圖片56:** 1. 螺絲 2. 指針 3. 斜切刻度

45°斜切角度

注意： 僅可在完成 0° 斜切角調整後，才可調整 45° 斜切角。

1. 鎖緊指旋螺絲以緊固刀架。
 2. 鬆開桿件。然後將刀架完全傾斜至左側。
- ▶ **圖片57:** 1. 指旋螺絲 2. 桿件
3. 檢查指針是否指向斜切角度上的 45° 位置。

若指針並非指向 45° 位置，請旋轉 45° 調整螺絲，並將指針對齊 45° 位置。

▶ **圖片58:** 1. 45° 調整螺絲

更換碳刷

定期拆下碳刷進行檢查。碳刷長度磨耗至 3 mm (1/8") 時，需予以更換。請保持碳刷清潔，並能夠在碳刷夾內自由滑動。兩個碳刷應同時更換。僅可使用相同的碳刷。

▶ **圖片59**

用螺絲起子拆下碳刷夾蓋。取出已磨損的碳刷，插入新的碳刷，然後緊固碳刷夾蓋。

▶ **圖片60:** 1. 碳刷夾蓋

更換碳刷後，請插上工具插頭，使工具無負載運轉約 10 分鐘以磨合碳刷。接著檢查工具的運轉情況，以及在釋放開關扳機時的電閘運作情形。若電閘無法正常運作，請至 Makita（牧田）維修服務中心維修工具。

使用後

使用後，請使用清潔布或類似物品清除黏附在工具上的鋸屑和灰塵。請按照前述「鋸片保護罩」部分的說明保持鋸片保護罩的清潔。使用機油潤滑其滑動部分以防止生鏽。

選購附件

⚠警告：此類 Makita（牧田）附件或組件為本說明書所列的 Makita（牧田）工具專用。使用其他品牌的附件或組件可能會導致嚴重的人員傷害。

⚠警告：Makita（牧田）附件或組件僅可用於指定目的。附件或組件使用不當可能會導致嚴重的人員傷害。

如您需要瞭解更多關於這些選購附件的信息，請諮詢當地的 Makita（牧田）維修服務中心。

- 鋼與硬質合金鋸片
- 垂直虎鉗
- 集塵袋
- 三稜尺
- 六角扳手
- 支架組

注：本列表中的一些部件可能作為標準配件包含於工具包裝內。規格可能因銷往國家之不同而異。

SPESIFIKASI

Model:		LS1110F
Diameter mata pisau	Negara-negara Eropa	260 mm
	Negara-negara selain Eropa	255 mm - 260 mm
Diameter lubang	Negara-negara Eropa	30 mm
	Negara-negara selain Eropa	25,4 mm
Ketebalan maks. goresan mata gergaji		3,2 mm
Sudut miter maksimal		Kiri 47°, Kanan 47°
Sudut siku-siku maksimal		Kiri 47°, Kanan 2°
Kecepatan tanpa beban (RPM)		4.500 min ⁻¹
Dimensi (P x L x T)		745 mm x 497 mm x 565 mm
Berat bersih		16,4 kg
Kelas keamanan		□/II

- Karena kesinambungan program penelitian dan pengembangan kami, spesifikasi yang disebutkan di sini dapat berubah tanpa pemberitahuan.
- Spesifikasi dapat berbeda dari satu negara ke negara lainnya.
- Berat menurut Prosedur EPTA 01/2014

Kapasitas pemotongan (T x L) dengan mata gergaji ø 260 mm

Sudut miter	Sudut siku-siku		
	45° (kiri)	0°	2° (kanan)
0°	50 mm x 310 mm	91 mm x 310 mm	85 mm x 310 mm
45° (kiri dan kanan)	50 mm x 220 mm	91 mm x 220 mm	-

Simbol

Berikut ini adalah simbol-simbol yang dapat digunakan pada peralatan ini. Pastikan Anda memahami arti masing-masing simbol sebelum menggunakan peralatan.



Baca petunjuk penggunaan.



ISOLASI GANDA



Gunakan kaca mata pengaman.



Untuk menghindari cedera akibat debu yang beterbangan, tetap tahan kepala gergaji ke bawah, setelah melakukan pemotongan, sampai mata gergaji benar-benar berhenti.



Ketika melakukan pemotongan menyerong, pertama tarik mesin secara penuh dan tekan pegangan ke bawah, lalu tekan mesin ke arah pembatas pemandu.



Jangan mendekatkan tangan atau jari ke mata gergaji.



Sesuaikan pagar geser dari mata gergaji dan pelindung mata pisau dengan benar.



Jangan menatap pada lampu pengoperasian.



Hanya untuk negara-negara UE
Akibat adanya komponen berbahaya dalam peralatan, peralatan listrik dan elektronik bekas dapat memiliki dampak negatif pada lingkungan dan kesehatan manusia.

Jangan buang peralatan listrik dan elektronik bersama limbah rumah tangga! Sesuai dengan Petunjuk Eropa tentang limbah peralatan listrik dan elektronik dan penyesuaiannya dengan undang-undang nasional, peralatan listrik dan elektronik bekas harus dikumpulkan secara terpisah dan dikirim ke tempat pengumpulan terpisah untuk limbah kota, beroperasi sesuai dengan peraturan perlindungan lingkungan.

Hal ini ditunjukkan dengan simbol tempat sampah bersilang yang ditempatkan pada peralatan.

Penggunaan

Mesin ini digunakan untuk memotong kayu secara lurus atau membentuk sudut miter dengan akurat. Dengan mata gergaji yang sesuai, aluminium juga dapat digergaji. Untuk detail, sesuai dengan bagian untuk PENGGUNAAN.

Pasokan daya

Mesin harus terhubung dengan pasokan daya listrik yang bervoltase sama dengan yang tertera pada pelat nama, dan hanya dapat dijalankan dengan listrik AC fase tunggal. Mesin diisolasi ganda dan oleh sebab itu dapat dihubungkan dengan soket tanpa kabel.

PERINGATAN KESELAMATAN

Peringatan keselamatan umum mesin listrik

⚠ PERINGATAN Bacalah semua peringatan keselamatan, petunjuk, ilustrasi dan spesifikasi yang disertakan bersama mesin listrik ini. Kelalaian untuk mematuhi semua petunjuk yang tercantum di bawah ini dapat menyebabkan sengatan listrik, kebakaran dan/atau cedera serius.

Simpanlah semua peringatan dan petunjuk untuk acuan di masa depan.

Istilah "mesin listrik" dalam semua peringatan mengacu pada mesin listrik yang dijalankan dengan sumber listrik jala-jala (berkabel) atau baterai (tanpa kabel).

Keselamatan tempat kerja

1. **Jaga tempat kerja selalu bersih dan berpenerangan cukup.** Tempat kerja yang berantakan dan gelap mengundang kecelakaan.
2. **Jangan gunakan mesin listrik dalam lingkungan yang mudah meledak, misalnya jika ada cairan, gas, atau debu yang mudah menyala.** Mesin listrik menimbulkan bunga api yang dapat menyalakan debu atau uap tersebut.
3. **Jauhkan anak-anak dan orang lain saat menggunakan mesin listrik.** Bila perhatian terpecah, anda dapat kehilangan kendali.

Keamanan Kelistrikan

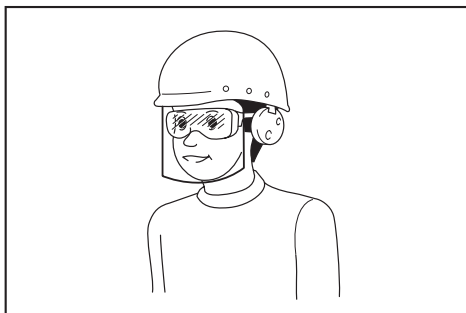
1. **Steker mesin listrik harus cocok dengan stopkontak. Jangan sekali-kali mengubah steker dengan cara apa pun. Jangan menggunakan steker adaptor dengan mesin listrik terbumi (dibumikan).** Steker yang tidak diubah dan stopkontak yang cocok akan mengurangi risiko sengatan listrik.
2. **Hindari sentuhan tubuh dengan permukaan terbumi atau yang dibumikan seperti pipa, radiator, kompor, dan kulkas.** Risiko sengatan listrik bertambah jika tubuh Anda terbumikan atau dibumikan.
3. **Jangan membiarkan mesin listrik kehujanan atau kebasahan.** Air yang masuk ke dalam mesin listrik akan meningkatkan risiko sengatan listrik.

4. **Jangan menyalahgunakan kabel. Jangan sekali-kali menggunakan kabel untuk membawa, menarik, atau mencabut mesin listrik dari stopkontak. Jauhkan kabel dari panas, minyak, tepian tajam, atau bagian yang bergerak.** Kabel yang rusak atau kusut memperbesar risiko sengatan listrik.
5. **Bila menggunakan mesin listrik di luar ruangan, gunakan kabel ekstensi yang sesuai untuk penggunaan di luar ruangan.** Penggunaan kabel yang sesuai untuk penggunaan luar ruangan mengurangi risiko sengatan listrik.
6. **Jika mengoperasikan mesin listrik di lokasi lembap tidak terhindarkan, gunakan pasokan daya yang dilindungi peranti imbasan arus (residual current device - RCD). Penggunaan RCD mengurangi risiko sengatan listrik.**
7. **Penggunaan pasokan daya melalui RCD dengan kapasitas arus sisa 30 mA atau kurang selalu dianjurkan.**
8. **Mesin listrik dapat menghasilkan medan magnet (EMF) yang tidak berbahaya bagi pengguna.** Namun, pengguna alat pacu jantung atau peralatan medis sejenisnya harus berkonsultasi dengan produsen peralatan tersebut dan/atau dokter mereka sebelum mengoperasikan mesin listrik ini.
9. **Jangan menyentuh colokan daya dengan tangan basah.**
10. **Jika kabel rusak, penggantian harus dilakukan oleh produsen atau agennya untuk menghindari bahaya keselamatan.**

Keselamatan Diri

1. **Jaga kewaspadaan, perhatikan pekerjaan Anda dan gunakan akal sehat bila menggunakan mesin listrik. Jangan menggunakan mesin listrik saat Anda lelah atau di bawah pengaruh obat bius, alkohol, atau obat.** Sekejap saja lalai saat menggunakan mesin listrik dapat menyebabkan cedera badan serius.
2. **Gunakan alat pelindung diri. Selalu gunakan pelindung mata.** Peralatan pelindung seperti masker debu, sepatu pengaman anti-selip, helm pengaman, atau pelindung telinga yang digunakan untuk kondisi yang sesuai akan mengurangi risiko cedera badan.
3. **Cegah penyalaan yang tidak disengaja. Pastikan bahwa sakelar berada dalam posisi mati (off) sebelum menghubungkan mesin ke sumber daya dan/atau paket baterai, atau mengangkat atau membawanya.** Membawa mesin listrik dengan jari Anda pada sakelarnya atau mengalirkan listrik pada mesin listrik yang sakelarnya hidup (on) akan mengundang kecelakaan.
4. **Lepaskan kunci-kunci penyetel sebelum menghidupkan mesin listrik.** Kunci-kunci yang masih terpasang pada bagian mesin listrik yang berputar dapat menyebabkan cedera.
5. **Jangan meraih terlalu jauh. Jagalah pijakan dan keseimbangan sepanjang waktu.** Hal ini memungkinkan kendali yang lebih baik atas mesin listrik dalam situasi yang tidak diharapkan.

6. Kenakan pakaian yang memadai. Jangan memakai pakaian yang longgar atau perhiasan. Jaga jarak antara rambut dan pakaian Anda dengan komponen mesin yang bergerak. Pakaian yang longgar, perhiasan, atau rambut yang panjang dapat tersangkut pada komponen yang bergerak.
7. Jika tersedia fasilitas untuk menghisap dan mengumpulkan debu, pastikan fasilitas tersebut terhubung listrik dan digunakan dengan baik. Penggunaan pembersih debu dapat mengurangi bahaya yang terkait dengan debu.
8. Jangan sampai Anda lengah dan mengabaikan prinsip keselamatan mesin ini hanya karena sudah sering mengoperasikannya dan sudah merasa terbiasa. Tindakan yang lalai dapat menyebabkan cedera berat dalam sepersekian detik saja.
9. Selalu kenakan kacamata pelindung untuk melindungi mata dari cedera saat menggunakan mesin listrik. Kacamata harus sesuai dengan ANSI Z87.1 di Amerika Serikat, EN 166 di Eropa, atau AS/NZS 1336 di Australia/Selandia Baru. Di Australia/Selandia Baru, secara hukum Anda juga diwajibkan mengenakan pelindung wajah untuk melindungi wajah Anda.
4. Simpan mesin listrik jauh dari jangkauan anak-anak dan jangan biarkan orang yang tidak paham mengenai mesin listrik tersebut atau petunjuk ini menggunakan mesin listrik. Mesin listrik sangat berbahaya di tangan pengguna yang tak terlatih.
5. Rawatlah mesin listrik dan aksesorinya. Periksa apakah ada komponen bergerak yang tidak lurus atau macet, komponen yang pecah, dan kondisi-kondisi lain yang dapat memengaruhi pengoperasian mesin listrik. Jika rusak, perbaiki dahulu mesin listrik sebelum digunakan. Banyak kecelakaan disebabkan oleh kurangnya pemeliharaan mesin listrik.
6. Jaga agar mesin pemotong tetap tajam dan bersih. Mesin pemotong yang terawat baik dengan mata pemotong yang tajam tidak mudah macet dan lebih mudah dikendalikan.
7. Gunakan mesin listrik, aksesorinya, dan mata mesin, dll. sesuai dengan petunjuk ini, dengan memperhatikan kondisi kerja dan jenis pekerjaan yang dilakukan. Penggunaan mesin listrik untuk penggunaan yang lain dari peruntukan dapat menimbulkan situasi berbahaya.
8. Jagalah agar gagang dan permukaan pegangan tetap kering, bersih, dan bebas dari minyak dan pelumas. Gagang dan permukaan pegangan yang licin tidak mendukung keamanan penanganan dan pengendalian mesin dalam situasi-situasi tak terduga.
9. Ketika menggunakan mesin, jangan menggunakan sarung tangan kain yang dapat tersangkut. Sarung tangan kain yang tersangkut pada komponen bergerak dapat mengakibatkan cedera pada pengguna.



Menjadi tanggung jawab atasannya untuk menerapkan penggunaan alat pelindung keselamatan yang tepat bagi operator mesin dan orang lain yang berada di area kerja saat itu.

Penggunaan dan pemeliharaan mesin listrik

1. Jangan memaksa mesin listrik. Gunakan mesin listrik yang tepat untuk keperluan Anda. Mesin listrik yang tepat akan menuntut pekerjaan dengan lebih baik dan aman pada kecepatan sesuai rancangannya.
2. Jangan gunakan mesin listrik jika sakelar tidak dapat menyala dan mematakannya. Mesin listrik yang tidak dapat dikendalikan dengan sakelarnya adalah berbahaya dan harus diperbaiki.
3. Cabut steker dari sumber listrik dan/atau lepas paket baterai, jika dapat dilepas, dari mesin listrik sebelum melakukan penyetulan apa pun, mengganti aksesorinya, atau menyimpan mesin listrik. Langkah keselamatan preventif tersebut mengurangi risiko hidupnya mesin secara tak sengaja.

Servis

1. Berikan mesin listrik untuk diperbaiki hanya kepada oleh teknisi yang berkualifikasi dengan menggunakan hanya suku cadang pengganti yang serupa. Hal ini akan menjamin terjaganya keamanan mesin listrik.
2. Patuhi petunjuk pelumasan dan penggantian aksesorinya.

Instruksi keselamatan untuk gergaji adu manis

1. Gergaji adu manis ditujukan untuk memotong kayu atau produk kayu, tidak dapat digunakan bersama dengan roda pemotong abrasif untuk memotong bahan yang mengandung besi seperti tongkat, batang, tiang, dll. Debu abrasif dapat menyebabkan macet pada bagian yang bergerak seperti pelindung bawah. Percikan dari pemotongan abrasif akan membakar pelindung bawah, sisipan goresan, dan komponen plastik lainnya.

2. **Gunakan penjepit untuk menahan benda kerja jika memungkinkan. Jika Anda menopang benda kerja dengan tangan, pastikan tangan Anda selalu berjarak setidaknya 100 mm dari kedua sisi mata gergaji. Jangan gunakan gergaji ini untuk memotong benda yang terlalu kecil untuk dijepit pada ragum atau dipegang tangan. Jika tangan Anda berada terlalu dekat dengan mata gergaji, terdapat risiko cedera akibat menyentuh mata gergaji.**
 3. **Benda kerja harus diam dan dijepit atau ditahan pada pembatas atau meja. Jangan umpangkan benda kerja pada mata pisau atau memotong secara “bebas” dengan cara apa pun. Benda kerja yang tidak ditahan dapat terlepas pada kecepatan tinggi dan menyebabkan cedera.**
 4. **Dorong gergaji untuk memotong benda kerja. Jangan tarik gergaji untuk memotong benda kerja. Untuk memotong, angkat kepala gergaji dan angkat ke atas benda kerja tanpa memotong, jalankan motor, tekan kepala gergaji ke bawah dan dorong gergaji untuk memotong benda kerja. Memotong dengan gerakan tarikan dapat menyebabkan mata gergaji bergerak ke atas benda kerja dan melemparkan mata gergaji dengan kuat ke arah operator.**
 5. **Jangan pernah letakkan tangan pada garis pemotongan baik di depan atau di belakang mata gergaji. Menopang benda kerja “secara menyilang”, yaitu menahan benda kerja pada sisi kanan mata gergaji dengan tangan kiri Anda atau sebaliknya adalah tindakan yang sangat berbahaya.**
- **Gbr.1**
6. **Jangan meraih bagian belakang penahan dengan tangan mendekati 100 mm dari kedua sisi mata gergaji, untuk membersihkan serbuk kayu, atau untuk alasan apa pun ketika mata gergaji sedang berputar. Jarak antara mata gergaji yang berputar dan tangan Anda mungkin tidak terlihat jelas dan Anda dapat terluka parah.**
 7. **Periksa benda kerja sebelum memotong. Jika benda kerja melengkung atau tidak rata, jepit dengan sisi melengkung menghadap penahan. Selalu pastikan tidak ada celah antara benda kerja, penahan, dan meja di sepanjang garis pemotongan. Benda kerja yang melengkung atau tidak rata dapat memuntir atau bergeser dan menyebabkan mata gergaji terjepit saat memotong. Hindari adanya paku atau objek lain pada benda kerja.**
 8. **Jangan gunakan gergaji hingga meja benar-benar bersih dari serpihan kayu, peralatan lain, dll., dan hanya terdapat benda kerja. Kotoran atau serpihan kayu atau benda lain yang menyentuh mata pisau saat sedang berputar dapat terlepas dengan kecepatan tinggi.**
 9. **Hanya potong satu benda kerja dalam satu waktu. Benda kerja yang bertumpuk tidak dapat dijepit atau ditahan dengan benar dan dapat menjepit mata pisau atau bergeser selama pemotongan.**
 10. **Pastikan gergaji adu manis terpasang di permukaan kerja yang rata dan kuat sebelum digunakan. Permukaan kerja yang rata dan kuat mengurangi risiko gergaji adu manis menjadi tidak stabil.**
 11. **Rencanakan pekerjaan Anda. Setiap kali Anda mengganti pengaturan sudut siku-siku atau miter, pastikan penahan yang dapat disesuaikan telah diatur dengan benar untuk menahan benda kerja dan tidak akan mengganggu mata pisau atau sistem perlindungan. Tanpa menyalakan mesin ke posisi “HIDUP” dan tidak ada benda kerja di meja, gerakan mata gergaji dengan mensimulasikan gerakan memotong untuk memastikan tidak ada gangguan atau bahaya terpotongnya penahan.**
 12. **Topang menggunakan peralatan yang memadai seperti sambungan meja, meja gergaji, dll. untuk benda kerja yang lebih lebar dari permukaan meja. Benda kerja yang lebih panjang atau lebih lebar dari meja gergaji adu manis dapat miring jika tidak ditopang dengan kuat. Jika potongan atau benda kerja miring, potongan atau benda kerja tersebut dapat mengangkat pelindung bawah atau terlontar oleh mata pisau yang berputar.**
 13. **Jangan minta orang lain menggantikan fungsi penopang atau sambungan meja. Penopangan benda kerja yang tidak stabil dapat menyebabkan mata pisau terjepit atau benda kerja bergeser selama pemotongan dan Anda dan orang lain dapat mengenai mata pisau yang berputar.**
 14. **Potongan benda kerja tidak boleh dijepit atau ditekkan ke mata gergaji yang berputar dengan cara apa pun. Jika tidak langsung terlepas, yaitu saat menggunakan penahan panjang, potongan benda kerja dapat miring ke arah mata pisau dan terlepas dengan kuat.**
 15. **Selalu gunakan penjepit atau dudukan yang dirancang untuk menopang material berbentuk bulat seperti batang atau pipa dengan benar. Batang dapat tergulung ketika dipotong, yang menyebabkan mata pisau “menggigit” dan menarik benda kerja serta tangan Anda ke arah mata pisau.**
 16. **Biarkan mata pisau mencapai kecepatan penuh sebelum menyentuh benda kerja. Hal ini akan mengurangi risiko benda kerja terlepas.**
 17. **Jika benda kerja atau mata gergaji terjepit, matikan gergaji adu manis. Tunggu semua komponen gerak sampai benar-benar berhenti dan cabut steker dari sumber daya dan/atau lepaskan paket baterai. Kemudian lepaskan material yang terjepit. Melanjutkan pekerjaan dengan benda kerja yang terjepit dapat menyebabkan hilangnya kendali atau kerusakan pada gergaji adu manis.**
 18. **Setelah selesai memotong, lepaskan sakelar, tahan kepala gergaji dan tunggu hingga mata gergaji berhenti sebelum melepaskan potongan benda kerja. Mengambil benda kerja ketika mata pisau masih berputar adalah tindakan yang sangat berbahaya.**

19. **Tahan pegangan dengan kuat ketika hanya memotong sebagian benda kerja atau ketika melepaskan sakelar sebelum kepala gergaji berada di posisi turun.** Gerakan pengereman gergaji dapat menyebabkan kepala gergaji tertarik ke bawah dengan tiba-tiba dan berisiko menyebabkan cedera.
20. **Gunakan hanya mata gergaji dengan diameter yang tertera pada alat atau ditentukan dalam petunjuk.** Menggunakan mata gergaji dengan ukuran yang salah akan memengaruhi perlindungan mata gergaji atau pengoperasian pelindung yang dapat mengakibatkan cedera serius.
21. **Hanya gunakan mata gergaji dengan kecepatan yang sama atau lebih tinggi dari kecepatan yang tertera pada mesin.**
22. **Gergaji tidak boleh digunakan untuk memotong bahan selain yang ditentukan.**
23. **(Hanya untuk negara-negara Eropa) Gunakan hanya mata pisau yang sesuai dengan EN847-1, dimaksudkan untuk kayu dan bahan analog.**

Instruksi tambahan

1. **Pastikan bengkel aman untuk anak-anak dengan mengunci semua alat menggunakan gembok.**
2. **Dilarang berdiri di atas mesin.** Cedera serius bisa terjadi jika mesin ini berujung lancip atau jika alat pemotong tersentuh secara tidak sengaja.
3. **Jangan sekali-kali membiarkan mesin menyala tanpa pengawasan.** Matikan mesin. Jangan meninggalkan mesin sampai benar-benar berhenti.
4. **Jangan mengoperasikan gergaji tanpa pelindung terpasang di tempatnya.** Periksa apakah pelindung mata pisau tertutup dengan baik setiap kali akan digunakan. Jangan mengoperasikan gergaji jika pelindung mata pisau tidak bergerak bebas dan menutup dengan cepat. Jangan sekali-kali menjepit atau mengikat pelindung mata pisau ke posisi terbuka.
5. **Jauhkan tangan dari jalur mata gergaji.** Hindari kontak dengan mata gergaji yang bergerak meluncur. Ini masih dapat menyebabkan cedera parah.
6. **Untuk mengurangi risiko cedera, kembalikan pegangan ke posisi belakang sepenuhnya setelah setiap pekerjaan pemotongan silang.**
7. **Selalu kencangkan semua bagian yang bergerak sebelum mesin dibawa.**
8. **Pasak penahan atau tuas penghenti yang mengunci kepala gergaji ke bawah hanya untuk tujuan membawa atau penyimpanan dan bukan untuk pengoperasian pemotongan.**
9. **Sebelum dioperasikan, periksa mata gergaji dengan saksama untuk memastikan tidak ada bagian yang retak atau rusak. Segera ganti mata gergaji yang retak atau rusak. Getah dan ter kayu yang mengeras pada mata gergaji memperlambat gergaji dan meningkatkan risiko terjadinya hentakan balik. Jaga agar mata gergaji tetap bersih dengan melepasnya terlebih dahulu dari mesin, lalu membersihkannya dengan penghilang getah dan ter, air panas atau kerosin. Jangan pernah menggunakan bensin untuk membersihkan mata gergaji.**
10. **Ketika membuat potongan geser, HENTAKAN BALIK dapat terjadi. HENTAKAN BALIK terjadi ketika mata gergaji terjepit pada benda kerja selama pemotongan dan mata gergaji terdorong dengan cepat ke arah operator. Kehilangan kendali dan cedera parah dapat terjadi. Jika mata gergaji mulai terjepit selama pemotongan, jangan lanjutkan dan segera lepaskan sakelar.**
11. **Gunakan hanya flensa yang ditentukan untuk mesin ini.**
12. **Berhati-hatilah agar tidak merusak arbor, flensa (terutama permukaan pemasangan) atau baut. Kerusakan pada bagian ini bisa mengakibatkan rusaknya mata gergaji.**
13. **Pastikan bahwa dudukan putar dikencangkan dengan benar sehingga tidak akan bergerak selama pengoperasian. Gunakan lubang di bagian dasar untuk mengencangkan gergaji pada platform kerja atau meja yang stabil. JANGAN PERNAH gunakan mesin dengan posisi operator yang tidak ideal.**
14. **Pastikan kunci poros dilepas sebelum sakelar dinyalakan.**
15. **Pastikan mata gergaji tidak mengenai dudukan putar pada posisi terendah.**
16. **Genggam pegangan mesin kuat-kuat. Ketahuilah bahwa gergaji sedikit bergerak naik atau turun selama penyalakan awal dan saat berhenti.**
17. **Pastikan bahwa mata gergaji tidak menyentuh benda kerja sebelum sakelar dinyalakan.**
18. **Sebelum menggunakan mesin pada benda kerja yang sebenarnya, jalankan mesin sebentar. Perhatikan akan adanya getaran atau goyangan yang dapat menunjukkan lemahnya pemasangan atau mata gergaji yang kurang seimbang.**
19. **Segera hentikan pengoperasian segera jika Anda melihat adanya sesuatu yang tidak wajar.**
20. **Jangan mencoba untuk mengunci picu pada posisi "HIDUP".**
21. **Selalu gunakan aksesori yang dianjurkan dalam panduan ini. Penggunaan aksesori yang tidak tepat seperti roda ampelas bisa menyebabkan cedera.**
22. **Bahan tertentu mengandung zat kimia yang mungkin beracun. Berikan perhatian untuk menghindari menghirup debu dan persentuhan dengan kulit. Ikuti data keselamatan bahan dari pemasok.**

Aturan keselamatan tambahan untuk lampu pengoperasian

1. Jangan melihat ke arah lampu atau sumber cahaya secara langsung.

SIMPAN PETUNJUK INI.

PERINGATAN: JANGAN biarkan kenyamanan atau terbiasanya Anda dengan produk (karena penggunaan berulang) mengurangi kepatuhan yang ketat terhadap aturan keselamatan untuk produk yang terkait. **PENYALAHGUNAAN** atau kelalaian mematuhi kaidah keselamatan yang tertera dalam petunjuk ini dapat menyebabkan cedera badan serius.

DESKRIPSI BAGIAN-BAGIAN MESIN

► Gbr.2

1	Sekrup penyetel (untuk posisi batas bawah)	2	Lengan penahan	3	Kantong debu	4	Sekrup putar (untuk menggeser mesin)
5	Penunjuk (untuk sudut siku-siku)	6	Skala sudut siku-siku	7	Tiang geser	8	Ragum vertikal
9	Pembatas geser	10	Baut penyetel 0° (untuk sudut siku-siku)	11	Pembatas pemandu	12	Sub dudukan
13	Dudukan putar	14	Skala sudut miter	15	Penunjuk (untuk sudut miter)	16	Papan garitan
17	Baut penyetel (untuk dudukan putar)	18	Tuas kunci (untuk dudukan putar)	19	Gagang (untuk dudukan putar)	20	Pelindung pengumpul debu
21	Pelindung mata pisau	22	Lampu	23	Pegangan (untuk operasi)	24	Pelatur sakelar
25	Lubang untuk gembok	26	Tombol buka kunci	27	Pegangan jinjing	-	-

► Gbr.3

1	Sakelar lampu	2	Kunci poros	3	Baut penyetel (untuk kapasitas pemotongan maksimum)	4	Pasak penahan (untuk mengangkat pegangan)
5	Pelat pengatur	6	Kunci L	7	Baut penyetel 45° (untuk sudut siku-siku)	8	Tuas (untuk sudut siku-siku)
9	Tombol pelepas (untuk sudut siku-siku)	-	-	-	-	-	-

PEMASANGAN

Pemasangan bangku

PERINGATAN: Pastikan mesin tidak bergerak di atas permukaan penopang. Pergerakan gergaji adu manis (miter) pada permukaan penopang ketika memotong dapat menyebabkan kehilangan kontrol dan cedera badan serius.

1. Pasang dudukan ke permukaan yang datar dan stabil, sekrup dengan baut. Ini membantu mencegah kemiringan dan kemungkinan cedera.

► **Gbr.4:** 1. Baut 2. Lubang gantungan

2. Putar baut penyetel searah jarum jam atau berlawanan arah jarum jam hingga menempel dengan permukaan lantai untuk menjaga mesin tetap stabil.

► **Gbr.5:** 1. Baut penyetel

DESKRIPSI FUNGSI

PERINGATAN: Selalu pastikan bahwa mesin dalam keadaan mati dan steker tercabut sebelum menyetel atau memeriksa kerja mesin. Kelalaian dalam mematikan dan mencabut steker mesin dapat mengakibatkan cedera badan yang serius akibat penyalaan yang tidak disengaja.

Kunci pegangan

PERHATIAN: Selalu tahan pegangan ketika melepaskan pasak penahan. Jika tidak, pegangan akan memantul dan akan mengakibatkan cedera badan.

Saat peralatan dikirimkan, pegangan terkunci pada posisi yang diturunkan sepenuhnya dengan pasak penahan. Untuk membuka pegangan, tarik pasak penahan sambil menurunkan pegangan sedikit.

► **Gbr.6:** 1. Pasak penahan

Kunci geser

Untuk memungkinkan gerakan menggeser pada mesin, kendurkan sekrup putar pada lengan. Untuk mengunci gerakan geser pada mesin, pindahkan mesin tersebut ke posisi yang Anda inginkan, lalu kencangkan sekrup putar dengan erat.

► **Gbr.7:** 1. Sekrup putar 2. Lengan

Pelindung mata pisau

⚠PERINGATAN: Jangan pernah mengakali atau melepaskan pelindung mata pisau atau pegas yang menempel pada pelindung. Mata gergaji bundar yang terbuka akibat dari pelindung yang usang dapat menyebabkan cedera badan selama pengoperasian.

⚠PERINGATAN: Jangan pernah menggunakan mesin jika pelindung mata pisau atau pegas rusak, cacat atau dilepaskan. Pengoperasian mesin dengan pelindung yang rusak, cacat atau dilepaskan dapat mengakibatkan cedera badan yang serius.

⚠PERHATIAN: Selalu jaga pelindung mata pisau dalam kondisi yang baik untuk pengoperasian yang aman. Segera hentikan pengoperasian jika terjadi ketidakberesan pada pelindung mata pisau. Periksa untuk memastikan adanya gerak kembali yang digerakkan oleh pegas pada pelindung.

Ketika menurunkan pegangan, pelindung mata pisau naik secara otomatis. Pelindung mata pisau dilengkapi pegas sehingga akan kembali ke posisi semula ketika pemotongan selesai atau pegangan dinaikkan.

► **Gbr.8:** 1. Pelindung mata pisau

Pembersihan

Jika pelindung mata pisau transparan terlihat kotor, atau serbuk gergaji menempel pada pelindung bilah pisah transparan sehingga mata gergaji bundar dan/atau benda kerja tidak lagi terlihat dengan mudah cabut mesin dan bersihkan pelindung dengan hati-hati menggunakan kain basah. Jangan gunakan larutan pembersih atau cairan pembersih berbahan minyak pada pelindung plastik karena hal ini akan menyebabkan kerusakan pada pelindung. Ikuti instruksi langkah-demi-langkah yang tercantum dalam cara mempersiapkan pembersihan.

1. Pastikan bahwa mesin sudah dimatikan dan dicabut stekernya.
 2. Putar baut soket segi enam berlawanan arah jarum jam menggunakan kunci L yang disediakan dengan menahan penutup tengah.
 3. Naikkan pelindung mata pisau dan penutup tengah.
 4. Ketika pembersihan selesai, kembalikan penutup tengah dan kencangkan baut soket segi enam dengan melakukan langkah-langkah di atas dengan urutan terbalik.
- **Gbr.9:** 1. Kunci L 2. Baut soket segi enam 3. Penutup tengah 4. Pelindung mata pisau

⚠PERINGATAN: Jangan melepaskan pelindung mata pisau penahan pegas. Jika pelindung rusak seiring waktu atau terpapar sinar UV, hubungi pusat layanan Makita untuk penggantian. **JANGAN MENGAKALI ATAU MELEPAS PELINDUNG.**

Menempatkan papan garitan

Mesin ini disediakan dengan papan garitan pada dudukan putar untuk meminimalkan koyakan pada bagian luar potongan. Papan garitan telah disetel oleh pabrik sehingga mata gergaji bundar tidak mengenai papan garitan. Sebelum penggunaan, setel papan garitan sebagai berikut:

1. Pastikan bahwa steker mesin telah dicabut. Lalu, kendurkan semua sekrup (masing-masing tiga di kiri dan kanan) yang mengencangkan papan garitan.
► **Gbr.10:** 1. Papan garitan 2. Sekrup
2. Kencangkan kembali sekrup tersebut hanya sampai papan garitan masih dapat dipindahkan dengan mudah dengan tangan.
3. Turunkan pegangan sepenuhnya, lalu kunci pegangan pada posisi diturunkan dengan pasak penahan.
4. Longgarkan sekrup putar pada lengan yang menahan gerakan geser pembawa.
Tarik mesin secara penuh ke arah Anda.
► **Gbr.11:** 1. Sekrup putar 2. Lengan
5. Setel papan garitan sehingga mendekati bagian gerigi mata gergaji pisau.
► **Gbr.12**
► **Gbr.13:** 1. Mata gergaji bundar 2. Gerigi mata pisau 3. Papan garitan 4. Potongan siku-siku kiri 5. Potongan lurus
6. Kencangkan sekrup depan (jangan mengencangkan terlalu kuat).
7. Geser mesin menuju posisi antara ujung depan papan garitan dan pembatas pemandu. Setel papan garitan sehingga dekat dengan sisi gigi mata gergaji.
8. Kencangkan sekrup tengah (jangan mengencangkan terlalu kuat).
9. Tekan mesin ke arah pembatas pemandu secara penuh, lalu setel papan garitan sehingga dekat dengan bagian gerigi mata gergaji.
10. Kencangkan sekrup belakang (jangan mengencangkan terlalu kuat).
11. Lepaskan pasak penahan untuk kunci pegangan dan angkat pegangan. Kemudian kencangkan sekrup dengan kuat.

PEMBERITAHUAN: Setelah menyetel sudut siku-siku, pastikan bahwa papan garitan disetel dengan benar. Penyetelan papan garitan yang benar membantu untuk memberikan tumpuan yang memadai dari benda kerja dan meminimalkan koyakan benda kerja.

Menjaga kapasitas pemotongan maksimum

Mesin ini disetel di pabrik dengan kapasitas pemotongan maksimum untuk mata gergaji bundar berukuran 260 mm.

Saat memasang mata gergaji bundar baru, selalu periksa posisi batas bawah mata gergaji bundar, dan bila perlu, setel seperti berikut:

1. Cabut steker mesin dari stopkontak. Lalu, tekan mesin ke arah pembatas pemandu dan turunkan pegangan secara penuh.
2. Gunakan kunci L (sisi obeng) untuk memutar baut penyetal hingga mata gergaji bundar menjadi sedikit di bawah potongan melintang dari pembatas pemandu dan bagian atas permukaan dudukan putar.
► **Gbr.14:** 1. Baut penyetal 2. Pembatas pemandu
► **Gbr.15**
3. Putar mata gergaji bundar menggunakan tangan sambil memegang pegangan ke bawah sepenuhnya untuk memastikan bahwa mata gergaji bundar tidak menyentuh salah satu bagian dari dudukan bawah. Setel ulang kapasitas pemotongan maksimum, jika perlu.

⚠PERINGATAN: Setelah memasang mata gergaji bundar baru dan dengan alat dilepaskan, selalu pastikan bahwa mata gergaji bundar tidak menyentuh bagian dudukan bawah saat pegangan diturunkan sepenuhnya. Jika mata gergaji bundar mengenai dudukan, maka hal ini akan menyebabkan hentakan balik dan mengakibatkan cedera badan yang serius.

► **Gbr.16**

Lengan penahan

Posisi batas bawah mata gergaji dapat dengan mudah disetel dengan lengan penahan. Untuk menyetal batas bawah, putar lengan penahan dalam arah panah seperti yang ditunjukkan pada gambar. Putar sekrup penyetal sehingga mata gergaji berhenti di posisi yang diinginkan ketika pegangan diturunkan sepenuhnya.

► **Gbr.17:** 1. Lengan penahan 2. Sekrup penyetal

Menyetel sudut miter

⚠PERHATIAN: Setelah mengubah sudut miter, selalu kunci posisi dudukan putar dengan mengencangkan gagang kuat-kuat.

PEMBERITAHUAN: Saat memutar dudukan putar, pastikan untuk menaikkan pegangan sepenuhnya.

Putar gagang berlawanan arah jarum jam untuk membuka dudukan putar. Putar gagang sambil menahan tuas kunci untuk menggerakkan dudukan putar. Sejajarkan penunjuk dengan sudut yang diinginkan dalam skala sudut miter, kemudian kencangkan gagangnya.

► **Gbr.18:** 1. Tuas kunci 2. Gagang 3. Penunjuk

Fungsi berhenti positif

Gergaji adu manis ini menggunakan fungsi penghentian positif. Anda dapat mengatur sudut miter kanan/kiri 0°, 15°, 22,5°, 31,6°, dan 45°, dengan cepat. Untuk menggunakan fungsi ini, gerakan dudukan putar mendekati sudut henti positif yang Anda inginkan sembari menahan tuas kunci. Kemudian lepaskan tuas kunci dan gerakan dudukan putar ke sudut henti positif yang Anda inginkan hingga dudukan putar terkunci.

Menyetel sudut siku-siku

⚠PERHATIAN: Setelah mengubah sudut siku-siku, selalu kunci posisi lengan dengan mengencangkan tuas searah jarum jam.

PEMBERITAHUAN: Selalu lepaskan ragum vertikal sebelum menyetel sudut siku-siku.

PEMBERITAHUAN: Saat memiringkan mata gergaji bundar, pastikan untuk menaikkan mesin sepenuhnya.

PEMBERITAHUAN: Ketika mengubah sudut siku-siku, pastikan untuk menyimpan papan garitan dengan benar seperti yang dijelaskan dalam bagian untuk memosisikan papan garitan.

PEMBERITAHUAN: Jangan mengencangkan tuas terlalu kencang. Jika melakukannya dapat menyebabkan kegagalan fungsi mekanisme penguncian sudut siku-siku.

Miringkan mata gergaji bundar ke kiri 0° - 45°

1. Putar tuas berlawanan arah jarum jam.
2. Tahan gagang dan miringkan mesin ke kiri.
3. Sejajarkan penunjuk dengan sudut yang diinginkan dalam skala sudut siku-siku.
4. Kencangkan tuas searah jarum jam untuk mengamankan posisi lengan.

► **Gbr.19:** 1. Tuas 2. Pegangan 3. Penunjuk 4. Skala sudut siku-siku

Memiringkan mata gergaji bundar di luar sebelah kiri 0° - 45°

1. Putar tuas berlawanan arah jarum jam.
2. Tahan pegangan dan atur mesin pada 0° untuk sisi kanan 2°, atau 45° untuk sisi 47° kiri.
3. Miringkan mesin sedikit ke sisi yang berlawanan.
4. Tekan tombol pelepas.
5. Miringkan mesin ke posisi yang diinginkan di luar kisaran 0° - 45°.
6. Kencangkan tuas searah jarum jam untuk mengamankan posisi lengan.

Saat memiringkan mesin ke kanan 2°

► **Gbr.20:** 1. Tuas 2. Pegangan 3. Tombol pelepas

Saat memiringkan mesin ke kiri 47°

► **Gbr.21:** 1. Tuas 2. Pegangan 3. Tombol pelepas

Kerja sakelar

⚠️ PERINGATAN: Sebelum memasukkan steker, pastikan pelatuk sakelar berfungsi dengan baik dan kembali ke posisi "MATI" saat dilepas. Jangan menarik dalam-dalam pelatuk sakelar tanpa menekan tombol pengunci. Hal ini bisa merusak sakelar. Penggunaan mesin dengan sakelar yang tidak berfungsi dengan baik dapat menyebabkan kehilangan kontrol dan cedera badan serius.

⚠️ PERINGATAN: JANGAN PERNAH menggunakan mesin tanpa picu sakelar yang berfungsi dengan benar. Setiap mesin dengan sakelar yang tidak berfungsi SANGAT BERBAHAYA dan harus diperbaiki sebelum penggunaan lebih lanjut atau cedera badan serius dapat terjadi.

⚠️ PERINGATAN: JANGAN PERNAH mengalkali tombol buka kunci dengan menyelotip atau menggunakan alat-alat lainnya. Sakelar tanpa tombol buka kunci dapat mengakibatkan pengoperasian yang tidak diinginkan dan cedera badan serius.

⚠️ PERINGATAN: JANGAN PERNAH menggunakan mesin jika mesin tersebut menyala ketika Anda hanya menarik picu sakelarnya tanpa menekan tuas buka kunci. Sakelar yang memerlukan perbaikan dapat mengakibatkan pengoperasian yang tidak diinginkan dan cedera badan serius. Kembalikan mesin ke pusat layanan Makita untuk diperbaiki dengan benar SEBELUM menggunakannya lebih lanjut.

Untuk mencegah pelatuk sakelar tertarik dengan tidak sengaja, tersedia sebuah tombol pengunci. Untuk menjalankan mesin, tekan tombol pengunci dan tarik pelatuk sakelar. Lepaskan pelatuk sakelar untuk berhenti.

Lubang disediakan pada pelatuk sakelar untuk memasukkan gembok untuk mengunci mesin.

► **Gbr.22:** 1. Pelatuk sakelar 2. Tombol pengunci 3. Lubang untuk gembok

⚠️ PERINGATAN: Jangan mengunci dengan anak kunci atau kabel yang diameternya lebih kecil dari 6,35 mm. Anak kunci atau kabel yang lebih kecil mungkin tidak dapat mengunci mesin dengan benar dalam posisi mati dan pengoperasian yang tidak disengaja dapat terjadi yang mengakibatkan cedera badan serius.

Mengarahkan garis potong

⚠️ PERHATIAN: Lampu tidak bersifat anti-hujan. Jangan mencuci lampu dengan air atau menggunakannya saat hujan atau di tempat yang basah. Tindakan seperti itu dapat menyebabkan sengatan listrik dan uap.

⚠️ PERHATIAN: Jangan menyentuh lensa lampu karena itu sangat panas saat dinyalakan atau sesaat setelah dimatikan. Hal ini dapat menyebabkan luka bakar.

⚠️ PERHATIAN: Jangan sampai terjadi benturan pada lampu yang dapat mengakibatkan kerusakan atau memperpendek usia pakai lampu.

⚠️ PERHATIAN: Jangan melihat lampu atau sumber cahaya secara langsung.

Lampu LED mengarahkan cahaya pada mata gergaji bundar, dan bayangan mata gergaji jatuh ke benda kerja yang berfungsi sebagai indikator garis potong bebas-kalibrasi. Tekan sakelar lampu untuk memancarkan cahaya. Garis muncul di mana mata gergaji akan bertemu permukaan benda kerja, yang menjadi lebih dalam saat mata pisau gergaji diturunkan.

► **Gbr.23:** 1. Sakelar lampu 2. Lampu 3. Garis pemotongan

Indikator membantu memotong garis pemotongan yang dibuat pada benda kerja.

1. Tahan pegangan dan turunkan mata gergaji bundar sehingga bayangan mata pisau gergaji yang rapat terbentuk di benda kerja.
2. Sejajarkan garis pemotongan yang dibuat pada benda kerja dengan bayangan garis pemotongan.
3. Sesuaikan sudut miter dan sudut siku-siku jika perlu.

CATATAN: Pastikan untuk mematikan sakelar lampu setelah digunakan. Jika tidak lampu tetap panas.

Fungsi elektronik

Fitur awal pengerjaan lembut

Fungsi ini memungkinkan menyalakan mesin dengan halus dengan membatasi torsi awal.

PERAKITAN

⚠️ PERINGATAN: Pastikan bahwa mesin dalam keadaan mati dan steker tercabut sebelum melakukan pekerjaan apa pun pada mesin. Kelalaian dalam mematikan dan melepaskan mesin dapat mengakibatkan cedera badan yang serius.

Penyimpanan kunci L

Saat tidak digunakan, simpan kunci L seperti terlihat pada gambar agar tidak hilang.

► **Gbr.24:** 1. Kunci L

Memasang dan melepas mata gergaji bundar

⚠️ PERINGATAN: Selalu pastikan alat dimatikan dan dicabut sebelum melepas dan memasang mata gergaji bundar. Mesin yang dinyalakan secara tidak sengaja dapat menyebabkan cedera serius.

⚠️ PERINGATAN: Gunakan hanya kunci pas Makita yang tersedia untuk melepas dan memasang mata gergaji bundar. Kelalaian dalam menggunakan kunci pas dapat mengakibatkan terlalu kencang atau kurang kencangnya baut soket segi enam dan cedera serius.

⚠️ PERINGATAN: Jangan pernah gunakan atau ganti komponen yang tidak disediakan bersama dengan mesin ini. Menggunakan komponen tersebut dapat menyebabkan cedera diri.

⚠️ PERINGATAN: Setelah memasang mata gergaji bundar, pastikan bahwa pelindung mata gergaji bundar terpasang dengan kuat. Pemasangan mata gergaji bundar yang kendur dapat menyebabkan cedera diri.

Persiapan umum untuk memasang dan melepas mata gergaji bundar

1. Buka kunci mesin dengan menarik pasak penahan, lalu pindahkan mesin ke posisi terangkat.
2. Kendurkan baut soket segi enam yang menahan penutup tengah menggunakan kunci L. Lalu, naikkan pelindung mata pisau dan penutup tengah.
▶ **Gbr.25:** 1. Kunci L 2. Baut soket segi enam 3. Penutup tengah 4. Pelindung mata pisau

Memasang mata gergaji bundar

⚠️ PERHATIAN: Pastikan untuk memasang mata gergaji bundar sehingga arah panah pada mata gergaji bundar sesuai dengan yang ada pada kotak mata pisau. Kegagalan dalam melakukannya dapat mengakibatkan cedera dan dapat merusak mesin dan/atau benda kerja.

1. Lengkapi langkah-langkah dalam "Persiapan umum untuk memasang dan melepas mata gergaji bundar".
2. Tekan kunci poros untuk mengunci spindel, dan gunakan kunci L untuk mengendurkan baut soket segi enam searah jarum jam. Lalu lepas baut soket segi enam, flensa luar, dan mata gergaji bundar.
▶ **Gbr.26:** 1. Baut soket segi enam (putar kiri) 2. Flensa luar 3. Kunci poros
3. Pasangkan mata gergaji bundar dengan hati-hati ke flensa dalam. Pastikan arah panah pada mata pisau sesuai dengan arah mata gergaji bundar panah kotak mata pisau.
▶ **Gbr.27:** 1. Tanda panah

4. Pasang flensa luar dan baut soket segi enam. Kencangkan baut soket segi enam (tangan kiri) berlawanan dengan arah jarum jam dengan kuat menggunakan kunci L sambil menekan kunci poros dengan kuat.

▶ **Gbr.28:** 1. Baut soket segi enam (putar kiri) 2. Flensa luar 3. Mata gergaji bundar 4. Cincin 5. Flensa dalam 6. Spindel

▶ **Gbr.29:** 1. Baut soket segi enam (putar kiri) 2. Flensa luar 3. Kunci poros

5. Kembalikan pelindung mata pisau dan penutup tengah ke posisi semula. Lalu kencangkan baut soket segi enam dari penutup tengah untuk menguncinya.

Turunkan mesin dan periksa bahwa pelindung mata pisau bergerak dengan benar.

▶ **Gbr.30:** 1. Kunci L 2. Baut soket segi enam 3. Penutup tengah 4. Pelindung mata pisau

Melepas mata gergaji bundar

1. Lengkapi langkah-langkah dalam "Persiapan umum untuk memasang dan melepas mata gergaji bundar".
2. Tekan kunci poros untuk mengunci spindel. Longgarkan baut soket segi enam searah jarum jam menggunakan kunci L. Lalu lepas baut soket segi enam, flensa luar, dan mata gergaji bundar.
▶ **Gbr.31:** 1. Baut soket segi enam (putar kiri) 2. Flensa luar 3. Kunci poros
3. Jika flensa dalam dilepaskan, pasang ini pada spindel dengan bagian pemasangan mata pisaunya menghadap ke mata gergaji bundar. Jika flensa dipasang dengan salah, flensa akan bergesekan dengan mesin.
▶ **Gbr.32:** 1. Baut soket segi enam (putar kiri) 2. Flensa luar 3. Mata gergaji bundar 4. Cincin 5. Flensa dalam 6. Spindel

PEMBERITAHUAN: Berhati-hatilah agar tidak kehilangan flensa luar dan baut soket segi enam yang dilepas.

Menyambungkan pengisap debu

Jika Anda ingin melakukan operasi pemotongan yang bersih, sambungkan pengisap debu Makita.

PEMBERITAHUAN: Tergantung pada jenis pengisap debu dan selang yang digunakan, port pengumpul debu mungkin terhalang oleh pelindung pengumpul debu, sehingga tidak mungkin mengumpulkan debu. Jika demikian, lemahkan daya isap pengisap debu.

▶ **Gbr.33:** 1. Pelindung pengumpul debu

Kantong debu

⚠️PERHATIAN: Saat menjalankan pemotongan, selalu tempelkan kantong debu atau sambungkan pengisap debu untuk mencegah bahaya yang berkaitan dengan debu.

Penggunaan kantong debu membuat pekerjaan pemotongan menjadi bersih dan mempermudah pengumpulan debu. Untuk memasang kantong debu, hubungkan kantong debu ke nosel debu.

► **Gbr.34:** 1. Kantong debu 2. Nosel debu

Ketika kantong debu sudah berisi kira-kira setengah penuh, lepas kantong debu dari mesin dan cabut pengencangnya. Kosongkan isi kantong debu, tepuk dengan perlahan untuk membuang partikel-partikel yang menempel di bagian dalam yang mungkin bisa menghambat pengumpulan debu selanjutnya.

► **Gbr.35:** 1. Pengencang

Mengencangkan benda kerja

⚠️PERINGATAN: Merupakan hal yang sangat penting untuk selalu mengencangkan benda kerja dengan tipe ragum yang benar. Kegagalan dalam melakukannya dapat mengakibatkan cedera badan serius dan dapat merusak mesin dan/atau benda kerja.

⚠️PERINGATAN: Setelah pekerjaan pemotongan, jangan menaikkan mata gergaji sampai mata pisau benar-benar berhenti.

Naiknya mata gergaji yang bergerak meluncur dapat menyebabkan cedera badan serius dan kerusakan pada benda kerja.

⚠️PERINGATAN: Ketika memotong benda kerja yang lebih panjang dari kedudukan tumpuan gergaji adu manis, keseluruhan panjang material harus ditopang melebihi kedudukan tumpuan dan dengan tinggi yang sama untuk menjaga material tetap sejajar. Tumpuan benda kerja yang memadai dapat membantu menghindari jepitan mata pisau dan hentakan balik yang dapat menyebabkan cedera badan serius. Jangan hanya mengandalkan pada ragum vertikal untuk mengunci benda kerja. Bahan yang tipis cenderung akan merosot. Topang benda kerja pada keseluruhan panjangnya untuk menghindari kemungkinan jepitan mesin dan HENTAKAN BALIK.

► **Gbr.36:** 1. Tumpuan 2. Dudukan putar

Pembatas-pembatas pemandu

⚠️PERINGATAN: Sebelum mengoperasikan alat, pastikan pembatas geser dipasang dengan sekrup penjepit dengan kencang.

⚠️PERINGATAN: Sebelum melakukan pemotongan siku-siku, pastikan tidak ada bagian mesin, terutama mata gergaji bundar, yang menyentuh pembatas ketika mengangkat dan menurunkan pegangan di posisi apa pun dan ketika menggerakkan mesin hingga mencapai batasnya. Jika mesin atau mata gergaji bundar menyentuh pembatas, hal ini dapat mengakibatkan hentakan balik atau gerakan material secara tak terduga dan menyebabkan cedera serius.

Mesin ini dilengkapi dengan pembatas geser. Saat melakukan pemotongan siku-siku kiri, kendurkan sekrup penjepit dan gerakan pembatas geser agar tidak menghalangi pergerakan mesin. Pasang pembatas geser dengan mengencangkan sekrup penjepit.

► **Gbr.37:** 1. Pembatas geser 2. Pembatas pemandu 3. Sekrup penjepit

Ragum vertikal

⚠️PERINGATAN: Benda kerja harus terpasang kuat pada dudukan putar dan pembatas pemandu dengan menggunakan ragum selama pengoperasian. Jika benda kerja tidak terpasang dengan kuat pada pembatas, material dapat bergerak selama operasi pemotongan yang menyebabkan kerusakan pada mata gergaji, menyebabkan material terlempar, dan kehilangan kendali yang mengakibatkan cedera serius.

Ragum vertikal dapat dipasang pada lubang di sisi kiri alas, sisi kanan alas, atau sisi kiri alas bawah.

Tekan benda kerja secara merata pada pembatas pemandu dan dudukan putar. Posisi benda kerja pada posisi pemotongan yang diinginkan dan kunci posisinya kuat-kuat dengan mengencangkan knop ragum.

Pastikan bahwa tidak ada bagian dari mesin yang menyentuh ragum vertikal saat menurunkan pegangan sepenuhnya. Jika ada yang menyentuh ragum vertikal, posisikan kembali ragum vertikalnya.

► **Gbr.38:** 1. Lubang 2. Kenop ragum

Sub dudukan

⚠️PERINGATAN: Selalu topang benda kerja panjang sehingga sejajar dengan permukaan atas dudukan putar untuk potongan yang akurat dan untuk mencegah kehilangan kontrol mesin yang berbahaya. Tumpuan benda kerja yang memadai dapat membantu menghindari jepitan mata pisau dan hentakan balik yang dapat menyebabkan cedera badan serius.

⚠️PERINGATAN: Sebelum melakukan pemotongan, selalu pastikan sub dudukan terpasang dengan kuat menggunakan sekrup putar.

Untuk menahan benda kerja panjang secara horizontal, subudukan disediakan pada kedua sisi mesin.

Kendurkan sekrup putar dan tarik subudukan hingga mencapai panjang yang sesuai untuk menahan benda kerja. Kemudian, kencangkan sekrup putar.

► **Gbr.39:** 1. Subudukan 2. Sekrup putar

Saat memotong, tempatkan benda kerja secara datar pada pagar pemandu.

► **Gbr.40:** 1. Pembatas pemandu 2. Subudukan

PENGGUNAAN

Mesin ini digunakan untuk memotong produk yang terbuat dari kayu. Dengan mata gergaji asli Makita yang sesuai, benda-benda berikut ini juga dapat digergaji:

— Produk aluminium

Baca situs web kami atau hubungi dealer Makita setempat Anda untuk mata gergaji bundar yang tepat digunakan untuk material yang akan dipotong.

⚠ PERINGATAN: Pastikan bahwa mata gergaji tidak menyentuh benda kerja, dsb. sebelum sakelar dinyalakan. Menyalakan mesin dengan mata gergaji yang mengenai benda kerja dapat menyebabkan hentakan balik dan cedera badan serius.

⚠ PERINGATAN: Setelah pekerjaan pemotongan, jangan menaikkan mata gergaji sampai mata pisau benar-benar berhenti.

Naiknya mata gergaji yang bergerak meluncur dapat menyebabkan cedera badan serius dan kerusakan pada benda kerja.

⚠ PERINGATAN: Jangan lakukan penyetelan apa pun seperti memutar gagang, knop, dan tuas pada mesin ketika mata gergaji berputar. Penyetelan saat mata gergaji berputar dapat menyebabkan cedera serius.

⚠ PERHATIAN: Jangan melepaskan kepala gergaji tanpa kendali dari posisi sepenuhnya ke bawah. Kepala gergaji yang tidak terkontrol dapat mengenai Anda dan akan mengakibatkan cedera pribadi.

PEMBERITAHUAN: Sebelum menggunakan, pastikan bahwa pasak penahan terbuka dan lepaskan pegangan dari posisi diturunkan.

PEMBERITAHUAN: Jangan terlalu menekan pegangan saat memotong. Gaya yang terlalu banyak dapat mengakibatkan kelebihan beban pada motor dan/atau penurunan efisiensi pemotongan. Tekan pegangan ke bawah hanya dengan gaya yang diperlukan untuk pemotongan halus dan tanpa menurunkan kecepatan mata pisau secara signifikan.

PEMBERITAHUAN: Tekan pegangan ke bawah perlahan untuk melakukan pemotongan. Jika pegangan ditekan dengan kuat atau diberi jika gaya lateral, mata gergaji akan bergetar dan meninggalkan tanda (tanda gergaji) di benda kerja dan presisi pemotongan akan berkurang.

PEMBERITAHUAN: Selama pemotongan menyerong, tekan perlahan mesin ke arah pembatas pemandu tanpa berhenti. Jika pergerakan pegangan terhenti selama pemotongan, hal tersebut dapat meninggalkan tanda pada benda kerja dan presisi pemotongan dapat terganggu.

Tekan pemotongan

⚠ PERINGATAN: Selalu kunci gerakan pergeseran pegangan ketika melakukan pemotongan tekan. Melakukan pemotongan tanpa kunci dapat menyebabkan kemungkinan hentakan balik yang mengakibatkan cedera badan serius.

Benda kerja yang tingginya sampai 91 mm dan lebarnya 90 mm dapat dipotong dengan cara berikut.

1. Tekan mesin ke arah pembatas pemandu hingga berhenti dan kunci menggunakan sekrup putar.
 2. Kencangkan benda kerja dengan tipe ragum yang sesuai.
 3. Nyalakan mesin dengan kondisi mata gergaji bundar tidak menyentuh apa pun dan tunggu sampai mata gergaji bundar mencapai kecepatan penuh sebelum menurunkan.
 4. Turunkan pegangan secara perlahan sampai ke posisi diturunkan sepenuhnya untuk memotong benda kerja.
 5. Saat pemotongan selesai, matikan mesin dan tunggu sampai mata gergaji bundar benar-benar berhenti sebelum mengembalikan mata gergaji bundar ke posisi dinaikkan sepenuhnya.
- **Gbr.41:** 1. Sekrup putar

Potongan menyerong (dorong) (memotong benda kerja lebar)

⚠️ PERINGATAN: Ketika melakukan pemotongan menyerong, pertama-tama tarik mesin secara penuh ke arah Anda dan tekan pegangan sepenuhnya ke bawah, lalu dorong mesin ke arah pembatas pelindung. Jangan pernah memulai pemotongan dengan mesin yang tidak ditarik ke arah Anda sepenuhnya. Jika Anda melakukan pemotongan menyerong tanpa menarik penuh mesin ke arah Anda hentikan balik yang tidak diharapkan dapat terjadi dan mengakibatkan cedera badan serius.

⚠️ PERINGATAN: Jangan pernah mencoba melakukan pemotongan menyerong dengan menarik mesin ke arah Anda. Menarik mesin ke arah Anda ketika proses pemotongan dapat menyebabkan hentikan balik yang tidak diharapkan yang mengakibatkan cedera badan serius.

⚠️ PERINGATAN: Jangan pernah melakukan pemotongan menyerong dengan pegangan yang terkunci pada posisi lebih rendah.

1. Kendurkan sekrup putar sehingga mesin dapat bergeser dengan bebas.
 2. Kencangkan benda kerja dengan tipe ragum yang sesuai.
 3. Tarik mesin secara penuh ke arah Anda.
 4. Nyalakan mesin dengan kondisi mata gergaji bundar tidak menyentuh apa pun dan tunggu sampai mata gergaji mencapai kecepatan penuh.
 5. Tekan pegangan ke bawah dan **dorong mesin ke arah pembatas pelindung dan ke arah benda kerja.**
 6. Saat pemotongan selesai, matikan mesin dan **tunggu sampai mesin benar-benar berhenti** sebelum mengembalikan mata gergaji ke posisi dinaikkan sepenuhnya.
- **Gbr.42:** 1. Sekrup putar

Pemotongan sudut miter

Lihat bagian untuk menyetel sudut miter.

Potongan siku-siku

⚠️ PERINGATAN: Setelah menyetel mata gergaji untuk potongan siku-siku, pastikan mesin dan mata gergaji dapat menjangkau dengan bebas seluruh rentang pemotongan yang diinginkan sebelum mengoperasikan mesin. Gangguan pada mesin atau jangkauan mata pisau selama pemotongan dapat mengakibatkan hentikan balik dan cedera badan serius.

⚠️ PERINGATAN: Selama melakukan potongan siku-siku, jauhkan tangan Anda dari jalur mata gergaji. Sudut mata gergaji dapat disangka sebagai jalur mata pisau sebenarnya oleh operator ketika memotong dan sentuhan dengan mata gergaji dapat mengakibatkan cedera badan serius.

⚠️ PERINGATAN: Mata gergaji tidak boleh dinaikkan hingga mata pisau benar-benar berhenti. Selama potongan siku-siku bagian yang dipotong dapat terjatuh ke arah mata gergaji. Jika mata gergaji dinaikkan ketika sedang berputar, potongan dapat dilontarkan oleh mata gergaji yang menyebabkan bahan menjadi pecahan yang dapat mengakibatkan cedera badan serius.

PEMBERITAHUAN: Saat menekan pegangan ke bawah, beri tekanan yang sejajar dengan mata gergaji. Jika tekanan diberikan tegak lurus dengan kedudukan putar atau jika arah tekanan diganti selama pemotongan, presisi pemotongan akan terganggu.

1. Atur pembatas geser di sebelah kiri untuk mencegah mesin bersentuhan.
 2. Buka kunci pasak penahan dan kendurkan sekrup putar pada lengan sehingga mesin dapat dinaikkan dan digeser dengan bebas.
 3. Setel sudut siku-siku sesuai prosedur yang dijelaskan pada bagian untuk penyetelan sudut siku-siku. Kemudian, kencangkan gagang.
 4. Kencangkan benda kerja dengan ragum.
 5. Tarik mesin secara penuh ke arah Anda.
 6. Nyalakan mesin dengan kondisi mata gergaji bundar tidak menyentuh apa pun dan tunggu sampai mata gergaji bundar mencapai kecepatan penuh.
 7. Turunkan pegangan perlahan sepenuhnya ke posisi yang lebih rendah ketika menekan secara sejajar dengan mata gergaji bundar dan **dorong mesin ke arah pembatas pemandu untuk memotong benda kerja.**
 8. Saat pemotongan selesai, matikan mesin dan **tunggu sampai mata gergaji benar-benar berhenti** sebelum mengembalikan mata gergaji bundar ke posisi dinaikkan sepenuhnya.
- **Gbr.43**

Pemotongan campuran

Pemotongan campuran adalah proses di mana sudut siku-siku dibuat secara bersamaan saat sudut miter dibuat di benda kerja. Pemotongan campuran dapat dilakukan pada sudut yang ditunjukkan pada tabel.

Sudut miter	Sudut siku-siku
Kiri dan Kanan 0° - 45°	Kiri 0° - 45°

Saat melakukan pemotongan campuran, merujuklah pada bagian untuk pemotongan tekan, pemotongan menyerong (dorong), pemotongan sudut miter, dan potongan siku-siku.

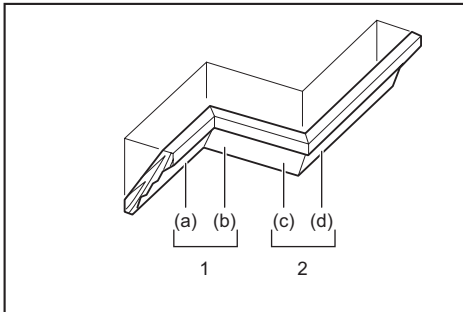
Memotong cetakan berbingkai dan melengkung

Cetakan berbingkai dan melengkung dapat dipotong dengan gergaji miter kombinasi dengan cetakan diletakkan lurus pada dudukan putar.

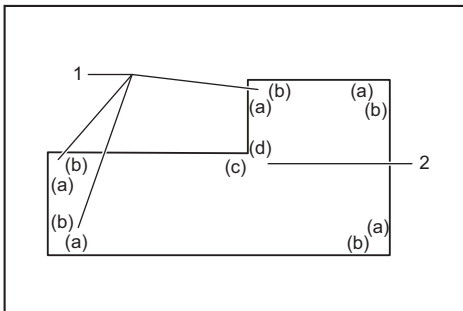
Terdapat dua tipe cetakan berbingkai pada umumnya dan satu tipe cetakan melengkung, cetakan berbingkai dengan sudut dinding 52/38°, cetakan berbingkai dengan sudut dinding 45° dan cetakan melengkung dengan sudut dinding 45°.

► **Gbr.44:** 1. Cetakan berbingkai tipe 52/38°
2. Cetakan berbingkai tipe 45° 3. Cetakan melengkung tipe 45°

Terdapat gabungan cetakan berbingkai dan melengkung yang dibuat untuk menyesuaikan dengan sudut 90° "dalam" ((a) dan (b) pada gambar) dan sudut 90° "luar" ((c) dan (d) pada gambar.)



1. Sudut dalam 2. Sudut luar



1. Sudut dalam 2. Sudut luar

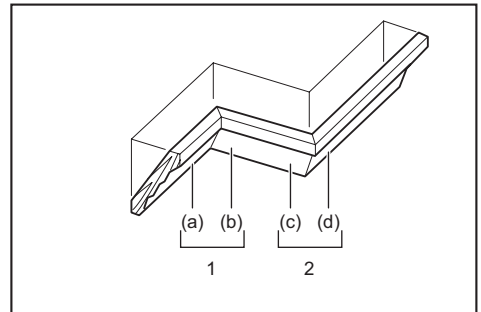
Mengukur

Ukur lebar dinding dan sesuaikan lebar benda kerja dengan dinding. Selalu pastikan lebar dinding benda kerja yang menyentuh tepian memiliki panjang yang sama dengan dinding.

► **Gbr.45:** 1. Benda kerja 2. Lebar dinding 3. Lebar benda kerja 4. Tepian yang menyentuh dinding

Selalu gunakan beberapa potongan untuk menguji pemotongan untuk memeriksa sudut gergaji. Ketika memotong cetakan berbingkai dan melengkung, atur sudut siku-siku dan sudut miter seperti yang ditunjukkan pada tabel (A) dan posisikan cetakan pada bagian atas permukaan dudukan gergaji seperti yang ditunjukkan pada tabel (B).

Untuk kasus pemotongan siku-siku kiri



1. Sudut dalam 2. Sudut luar

Tabel (A)

-	Posisi cetakan pada gambar	Sudut siku-siku		Sudut miter	
		Tipe 52/38°	Tipe 45°	Tipe 52/38°	Tipe 45°
Untuk sudut dalam	(a)	Kiri 33,9°	Kiri 30°	Kanan 31,6°	Kanan 35,3°
	(b)			Kiri 31,6°	Kiri 35,3°
Untuk sudut luar	(c)			Kanan 31,6°	Kanan 35,3°
	(d)				

Tabel (B)

-	Posisi cetakan pada gambar	Tepian cetakan pada pembatas pelindung	Potongan yang telah selesai
Untuk sudut dalam	(a)	Tepian yang menyentuh langit-langit harus berlawanan dengan pembatas pelindung.	Potongan yang telah selesai akan berada pada sisi Kiri mata gergaji bundar.
	(b)	Tepian yang menyentuh dinding harus berlawanan dengan pembatas pelindung.	
Untuk sudut luar	(c)	Tepian yang menyentuh langit-langit harus berlawanan dengan pembatas pelindung.	Potongan yang telah selesai akan berada pada sisi Kanan mata gergaji bundar.
	(d)	Tepian yang menyentuh langit-langit harus berlawanan dengan pembatas pelindung.	

Contoh:

Pada kasus pemotongan cetakan berbingkai tipe 52/38° untuk posisi (a) pada gambar di atas:

- Miringkan dan kencangkan pengaturan sudut siku-siku ke 33,9° KIRI.
- Setel dan kencangkan pengaturan sudut miter ke 31,6° KANAN.
- Simpan cetakan berbingkai dengan permukaan bagian belakang yang luas (tersembunyi) menghadap ke bawah pada dudukan putar dengan TEPIAN YANG MENYENTUH LANGIT-LANGIT berlawanan dengan pembatas pelindung pada gergaji.
- Potongan yang telah selesai yang akan digunakan akan selalu berada pada sisi KIRI mata gergaji bundar setelah pemotongan dilakukan.

Memotong ekstrusi aluminium

Saat mengencangkan ekstrusi aluminium, gunakan balok peruang atau potongan bahan bekas seperti ditunjukkan pada gambar untuk mencegah perubahan bentuk pada aluminium. Gunakan pelumas potong ketika memotong ekstrusi aluminium untuk mencegah terjadinya penumpukan bahan aluminium pada mata gergaji bundar.

⚠️ PERINGATAN: Jangan sekali-kali mencoba untuk memotong ekstrusi aluminium yang tebal atau bulat. Ekstrusi aluminium yang tebal atau bulat akan sulit dikencangkan dan benda kerja dapat kendur saat operasi pemotongan yang menyebabkan kehilangan kontrol dan cedera serius.

- **Gbr.46:** 1. Ragum 2. Balok penganjal 3. Pembatas pemandu 4. Ekstrusi aluminium 5. Balok penganjal

Memotong panjang berulang

Ketika memotong beberapa potongan kayu dengan panjang yang sama, dengan rentang dari 225 mm hingga 350 mm, tarik pelat pengatur sebagaimana yang ditunjukkan dalam gambar.

Amankan benda kerja pada posisi pemotongan. Geser sub alas kanan sehingga pelat pengatur dalam posisi rata dengan ujung benda kerja. Kemudian kencangkan sub alas dengan sekrup putar.

- **Gbr.47:** 1. Pelat pengatur 2. Sekrup putar

Pemotongan alur

⚠️ PERINGATAN: Jangan mencoba untuk melakukan tipe pemotongan ini dengan menggunakan tipe mata pisau yang lebih lebar atau mata pisau dado. Mencoba untuk membuat potongan alur dengan mata pisau yang lebih besar atau mata pisau dado dapat menyebabkan hasil pemotongan dan hentakan balik yang tidak diharapkan yang dapat mengakibatkan cedera badan serius.

⚠️ PERINGATAN: Pastikan untuk mengembalikan lengan penahan ke posisi semula ketika melakukan selain pemotongan alur.

Mencoba untuk membuat potongan dengan lengan penahan pada posisi yang salah dapat menyebabkan hasil pemotongan dan hentakan balik yang tidak diharapkan yang dapat mengakibatkan cedera badan serius.

Untuk potongan tipe dado, lakukan hal berikut:

1. Setel posisi batas bawah mata gergaji bundar dengan menggunakan sekrup penyetel dan lengan penahan untuk membatasi kedalaman pemotongan mata gergaji bundar. Lihat pada bagian untuk lengan penahan.
 2. Setelah menyetel posisi batas bawah mata gergaji bundar, potong alur sejajar melintasi sepanjang lebar benda kerja menggunakan potongan menyerong (dorong).
- **Gbr.48:** 1. Memotong alur dengan mata gergaji
3. Lepaskan bahan benda kerja di antara alur dengan alat pahat.

Membawa mesin

Sebelum membawa alat, pastikan untuk mencabut steker alat dan semua bagian alat yang bergerak terpasang kuat. Selalu periksa hal berikut:

- Steker mesin dicabut.
- Pegangan berada di posisi sudut siku-siku 0° dan dikencangkan.
- Pegangan diturunkan dan dikunci.
- Mesin meluncur ke arah Anda secara maksimal dan terkunci.
- Dudukan putar berada pada posisi sudut miter kanan sepenuhnya dan dikencangkan.

Bawa alat dengan memegang pegangan jinjing dan salah satu sisi alas alat atau dengan memegang kedua sisi alas alat.

► **Gbr.49**

► **Gbr.50**

⚠️PERINGATAN: Pasak penahan untuk mengangkat mesin hanya untuk tujuan membawa, menyimpan atau penyesuaian dan bukan untuk pengoperasian pemotongan. Penggunaan pasak penahan untuk melakukan pemotongan dapat menyebabkan pergerakan mata gergaji bundar yang tidak diharapkan dan mengakibatkan hentakan balik dan cedera serius.

⚠️PERHATIAN: Selalu kencangkan semua bagian yang bergerak sebelum mesin dibawa. Jika bagian mesin bergerak atau bergeser ketika sedang dibawa, kehilangan kontrol atau keseimbangan dapat terjadi dan mengakibatkan cedera badan.

⚠️PERHATIAN: Pastikan ketinggian mesin terkunci dengan benar di bagian bawahnya oleh pasak penahan. Jika pasak penahan tidak terpasang dengan benar, mesin dapat melompat tiba-tiba dan menyebabkan cedera.

PERAWATAN

⚠️PERINGATAN: Selalu pastikan bahwa mesin dimatikan dan steker dicabut sebelum melakukan pemeriksaan atau perawatan.

Kelalaian dalam mencabut steker dan mematikan mesin dapat berakibat mesin menyala tiba-tiba dan mengakibatkan cedera serius.

⚠️PERINGATAN: Selalu pastikan bahwa mata gergaji tajam dan bersih untuk mendapatkan kinerja terbaik dan teraman. Mencoba untuk memotong dengan mata gergaji yang tumpul dan/atau kotor karena akan menyebabkan hentakan balik dan menyebabkan cedera badan serius.

PEMBERITAHUAN: Jangan sekali-kali menggunakan bensin, tiner, alkohol, atau bahan sejenisnya. Penggunaan bahan demikian dapat menyebabkan perubahan warna, perubahan bentuk atau timbulnya retakan.

Untuk menjaga KEAMANAN dan KEANDALAN mesin, perbaikan, perawatan atau penyetelan lainnya harus dilakukan oleh Pusat Layanan Resmi atau Pabrik Makita; selalu gunakan suku cadang pengganti buatan Makita.

Menyetel sudut pemotongan

Mesin ini disetel dan disejajarkan dengan cermat di pabrik, namun penanganan yang kasar mungkin akan mempengaruhi kesejajarannya. Jika mesin Anda tidak sejajar dengan baik, lakukan sebagaimana berikut:

Sudut miter

1. Kunci mesin pada posisi diturunkan dengan pasak penahan. Dorong mesin ke arah pembatas pemandu dan kencangkan sekrup putar untuk mengencangkan mesin.

2. Atur kedudukan putar ke posisi 0° menggunakan fungsi penahan positif. (Biarkan seperti asalnya jika penunjuk tidak mengarah ke 0°.)

3. Longgarkan baut soket segi enam yang mengencangkan pembatas pemandu menggunakan kunci L.

► **Gbr.51:** 1. Pasak penahan 2. Sekrup putar 3. Baut soket segi enam

4. Tegakkan sisi mata gergaji dengan bagian muka pembatas pemandu menggunakan penggaris segitiga atau penggaris siku-siku. Kemudian kencangkan baut soket segi enam dengan aman pada pembatas pemandu secara berurutan dari sisi kanan.

► **Gbr.52:** 1. Pembatas pemandu 2. Penggaris segitiga

5. Jika tidak mengarah ke 0°, kendurkan sekrup yang mengikat penunjuk dan setel penunjuk sehingga mengarah ke 0°.

► **Gbr.53:** 1. Sekrup 2. Penunjuk 3. Skala miter

Sudut siku-siku

Sudut siku-siku 0°

1. Kunci mesin pada posisi diturunkan dengan pasak penahan. Dorong mesin ke arah pembatas pemandu dan kencangkan sekrup putar untuk mengencangkan mesin.

2. Kencangkan tuas. Kemudian, putar baut penyetel 0° dua atau tiga putaran berlawanan arah jarum jam untuk memiringkan mata gergaji bundar ke kanan.

► **Gbr.54:** 1. Tuas 2. Baut penyetel 0°

3. Dengan hati-hati, tegakkan sisi mata gergaji dengan permukaan atas kedudukan putar menggunakan penggaris segitiga, penggaris siku-siku, dsb. dengan memutar baut penyetel 0° searah jarum jam. Kemudian kencangkan tuas dengan kuat untuk mengunci sudut 0° yang telah Anda atur.

► **Gbr.55:** 1. Penggaris segitiga 2. Mata gergaji 3. Permukaan atas kedudukan putar

4. Jika tidak mengarah ke 0°, kendurkan sekrup yang mengikat penunjuk dan setel sehingga mengarah ke 0°.

► **Gbr.56:** 1. Sekrup 2. Penunjuk 3. Skala siku-siku

Sudut siku-siku 45°

PEMBERITAHUAN: Sebelum menyatel sudut siku-siku 45°, selesaikan penyetulan sudut siku-siku 0° terlebih dahulu.

1. Kencangkan sekrup putar untuk mengencangkan mesin.
2. Kencangkan tuas. Kemudian, miringkan mesin sepenuhnya ke kiri.
▶ **Gbr.57:** 1. Sekrup putar 2. Tuas
3. Periksa apakah penunjuk mengindikasikan posisi 45° pada skala sudut siku-siku.

Jika penunjuk tidak mengindikasikan posisi 45°, sejajarkan pada posisi 45° dengan memutar baut penyatel 45°.

- ▶ **Gbr.58:** 1. Baut penyatel 45°

Mengganti sikat karbon

Lepas dan periksa sikat karbon secara teratur. Ganti ketika aus sampai jarak 3 mm (1/8"). Jaga agar sikat karbon tetap bersih dan tidak bergeser dari penahan. Kedua sikat karbon harus diganti pada waktu yang sama. Hanya gunakan sikat karbon yang sama.

- ▶ **Gbr.59**

Gunakan obeng untuk melepas tutup tempat sikat. Tarik keluar sikat karbon yang aus, masukkan yang baru dan pasang tutup tempat sikat.

- ▶ **Gbr.60:** 1. Tutup tempat sikat

Setelah mengganti sikat, pasang steker mesin dan kembangkan sikat dengan menyalakan mesin tanpa beban selama kira-kira 10 menit. Lalu periksa mesin ketika menyala dan penggunaan rem elektrik ketika melepas pelatuk sakelar. Jika rem elektrik tidak bekerja dengan benar, mintalah pusat layanan Makita terdekat untuk memperbaikinya.

Setelah penggunaan

Setelah digunakan, buang geram dan debu yang menempel pada mesin menggunakan kain atau sejenisnya. Jaga agar pelindung mata pisau tetap bersih sesuai dengan petunjuk berjudul "Pelindung mata mesin" yang dijelaskan sebelumnya. Lumasi bagian yang bergeser dengan minyak mesin untuk mencegah timbulnya karat.

AKSESORI PILIHAN

⚠PERINGATAN: Dianjurkan untuk menggunakan aksesoris atau perangkat tambahan Makita ini dengan mesin Makita Anda yang ditentukan dalam petunjuk ini. Penggunaan aksesoris atau perangkat tambahan lainnya dapat mengakibatkan cedera badan serius.

⚠PERINGATAN: Hanya gunakan aksesoris atau perangkat tambahan Makita sesuai dengan peruntukannya. Salah penggunaan dari aksesoris atau perangkat tambahan dapat mengakibatkan cedera badan serius.

Jika Anda memerlukan bantuan lebih rinci berkenaan dengan aksesoris ini, tanyakan pada Pusat Layanan Makita terdekat.

- Mata gergaji berujung baja & karbida
- Ragum vertikal
- Kantong debu
- Penggaris segitiga
- Kunci L
- Set penyangga

CATATAN: Beberapa item dalam daftar tersebut mungkin sudah termasuk dalam paket mesin sebagai aksesoris standar. Hal tersebut dapat berbeda dari satu negara ke negara lainnya.

SPESIFIKASI

Model:		LS1110F
Diameter bilah	Negara Eropah	260 mm
	Negara selain daripada Eropah	255 mm - 260 mm
Diameter lubang	Negara Eropah	30 mm
	Negara selain daripada Eropah	25.4 mm
Ketebalan keratan maks. bilah gergaji		3.2 mm
Sudut miter maks.		Kiri 47°, Kanan 47°
Sudut serong maks.		Kiri 47°, Kanan 2°
Kelajuan tanpa beban (RPM)		4,500 min ⁻¹
Dimensi (P x L x T)		745 mm x 497 mm x 565 mm
Berat bersih		16.4 kg
Kelas keselamatan		□/II

- Disebabkan program penyelidikan dan pembangunan kami yang berterusan, spesifikasi yang terkandung di dalam ini adalah tertakluk kepada perubahan tanpa notis.
- Spesifikasi mungkin berbeza mengikut negara.
- Berat mengikut Prosedur EPTA 01/2014

Kapasiti pemotongan (T x L) dengan bilah gergaji ø 260 mm

Sudut miter	Sudut serong		
	45° (kiri)	0°	2° (kanan)
0°	50 mm x 310 mm	91 mm x 310 mm	85 mm x 310 mm
45° (kiri dan kanan)	50 mm x 220 mm	91 mm x 220 mm	-

Simbol

Berikut menunjukkan simbol-simbol yang boleh digunakan untuk alat ini. Pastikan anda memahami maksudnya sebelum menggunakan.



Baca manual arahan.



PENEBATAN BERGANDA



Pakai cermin mata keselamatan.



Untuk mengelakkan kecederaan daripada serpihan terbang, pastikan pegang kepala gergaji ke bawah, setelah membuat potongan, sehingga bilah gergaji berhenti sepenuhnya.



Apabila melakukan potongan gelangsar, tarik pembawa sepenuhnya dan tekan bawah pemegang, kemudian tolak pembawa ke arah pagar panduan.



Jangan letakkan tangan atau jari dekat dengan bilah gergaji.



Laraskan pagar gelongsor jauh dari mata gergaji dan pelindung bilah dengan betul.



Jangan merenung pada lampu operasi.



Hanya untuk negara-negara EU
Disebabkan kehadiran komponen berbahaya dalam peralatan, peralatan elektrik dan elektronik terpakai boleh memberi kesan negatif terhadap persekitaran dan kesihatan manusia. Jangan buang alat elektrik dan elektronik bersama dengan bahan buangan isi rumah!

Mengikut Arahan Eropah mengenai sisa peralatan elektrik dan elektronik dan penyesuaian dengan undang-undang negara, peralatan elektrik dan elektronik terpakai hendaklah dikumpulkan secara berasingan dan dihantar ke tempat pengumpulan berasingan untuk sisa perbandaran, beroperasi mengikut peraturan perlindungan persekitaran. Ini ditunjukkan oleh simbol tong sampah beroda yang bersilang pada peralatan.

Tujuan penggunaan

Alat ini bertujuan untuk pemotongan kayu lurus dan miter yang tepat. Dengan bilah gergaji yang sesuai, aluminium juga boleh digergajikan. Untuk butiran lanjut, rujuk bahagian untuk OPERASI.

Bekalan kuasa

Alat ini perlu disambungkan hanya kepada bekalan kuasa dengan voltan yang sama seperti yang ditunjukkan pada papan nama, dan hanya boleh dikendalikan pada bekalan AC fasa tunggal. Ia mempunyai penebatan berganda dan oleh itu, ia juga boleh digunakan pada soket tanpa wayar bumi.

AMARAN KESELAMATAN

Amaran keselamatan umum alat kuasa

⚠️AMARAN Baca semua amaran keselamatan, arahan, ilustrasi dan spesifikasi yang disediakan dengan alat kuasa ini. Kegagalan untuk mematuhi semua arahan yang disenaraikan di bawah boleh menyebabkan kejutan elektrik, kebakaran dan/atau kecederaan serius.

Simpan semua amaran dan arahan untuk rujukan masa depan.

Istilah "alat kuasa" dalam amaran merujuk kepada alat kuasa yang menggunakan tenaga elektrik (dengan kord) atau alat kuasa yang menggunakan bateri (tanpa kord).

Keselamatan kawasan kerja

1. **Pastikan kawasan kerja bersih dan diterangi dengan baik.** Kawasan berselerak atau gelap mengundang kemalangan.
2. **Jangan kendalikan alat kuasa dalam keadaan yang mudah meletup, seperti dalam kehadiran cecair, gas atau habuk yang mudah terbakar.** Alat kuasa menghasilkan percikan api yang boleh menyalakan debu atau wasap.
3. **Jauhkan kanak-kanak dan orang ramai semasa mengendalikan alat kuasa.** Gangguan boleh menyebabkan anda hilang kawalan.

Keselamatan elektrik

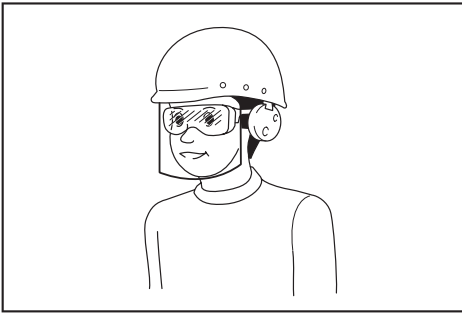
1. **Palam alat kuasa mesti sepadan dengan soket. Jangan ubah suai palam dalam apa cara sekalipun. Jangan gunakan sebarang palam penyesuai dengan alat kuasa terbumi.** Palam yang tidak diubah suai dan soket yang sepadan akan mengurangkan risiko kejutan elektrik.
2. **Elakkan sentuhan badan dengan permukaan terbumi, seperti paip, radiator, dapur dan peti sejuk.** Terdapat peningkatan risiko kejutan elektrik jika elektrik terbumi terkena badan anda.
3. **Jangan biarkan alat kuasa terkena hujan atau basah.** Air yang memasuki alat kuasa akan meningkatkan risiko kejutan elektrik.
4. **Jangan salah gunakan kord. Jangan gunakan kord untuk membawa, menarik atau mencabut palam alat kuasa. Jauhkan kord dari haba, minyak, bucu tajam atau bahagian yang bergerak.** Kord yang rosak atau tersimpul meningkatkan risiko kejutan elektrik.

5. **Semasa mengendalikan alat kuasa di luar, gunakan kord sambungan yang bersesuaian untuk kegunaan luar.** Penggunaan kord yang sesuai untuk kegunaan luar mengurangkan risiko kejutan elektrik.
6. **Sekiranya pengendalian alat kuasa di lokasi lembap tidak dapat dielakkan, gunakan bekalan peranti arus sisa (RCD) yang dilindungi.** Penggunaan RCD mengurangkan risiko kejutan elektrik.
7. **Penggunaan bekalan kuasa melalui RCD dengan arus sisa yang bernilai 30 mA atau kurang sentiasa disyorkan.**
8. **Alat kuasa boleh menghasilkan medan elektromagnetik (EMF) yang tidak berbahaya kepada pengguna.** Walau bagaimanapun, pengguna perentak jantung atau peranti perubatan yang serupa harus menghubungi pembuat peranti mereka dan/atau doktor untuk nasihat sebelum mengendalikan alat kuasa ini.
9. **Jangan sentuh palam kuasa dengan tangan yang basah.**
10. **Jika kord rosak, minta ia diganti oleh pengilang atau ejennya bagi mengelakkan bahaya keselamatan.**

Keselamatan diri

1. **Sentiasa berwaspada, perhatikan apa yang anda lakukan dan guna akal budi semasa mengendalikan alat kuasa. Jangan gunakan alat kuasa semasa anda letih atau di bawah pengaruh dadah, alkohol atau ubat.** Kelekaan seketika semasa mengendalikan alat kuasa boleh menyebabkan kecederaan diri yang serius.
2. **Gunakan peralatan pelindung diri. Sentiasa pakai pelindung mata.** Peralatan pelindung seperti topeng debu, kasut keselamatan tak mudah tergelincir, topi keselamatan atau pelindung pendengaran yang digunakan untuk keadaan yang sesuai akan mengurangkan kecederaan diri.
3. **Elakkan permulaan yang tidak disengajakan. Pastikan suis ditutup sebelum menyambung kepada sumber kuasa dan/atau pek bateri, semasa mengangkat atau membawa alat.** Membawa alat kuasa dengan jari anda pada suis atau menentagakan alat kuasa dengan suis pada kedudukan hidup mengundang kemalangan.
4. **Alihkan sebarang kunci atau sepana pelaras sebelum menghidupkan alat kuasa.** Sepana atau kunci yang ditinggalkan pada bahagian berputar alat kuasa boleh menyebabkan kecederaan diri.
5. **Jangan lampau jangkau. Jaga pijakan dan keseimbangan yang betul pada setiap masa.** Ini membolehkan kawalan alat kuasa yang lebih baik dalam situasi yang tidak dijangka.
6. **Berpakaian dengan betul. Jangan pakai pakaian yang longgar atau barang kemas. Jauhkan rambut dan pakaian anda dari bahagian yang bergerak.** Pakaian longgar, barang kemas atau rambut yang panjang boleh terperangkap dalam bahagian yang bergerak.

7. Jika peranti disediakan untuk sambungan kemudahan pengekstrakan dan pengumpulan habuk, pastikan ia disambung dan digunakan dengan betul. Penggunaan pengumpulan habuk boleh mengurangkan bahaya berkaitan habuk.
8. Jangan biarkan kebiasaan daripada kekerapan penggunaan alat membuatkan anda berpuas hati dan mengabaikan prinsip keselamatan alat. Kecuaian boleh menyebabkan kecederaan serius dalam sekelip mata.
9. Sentiasa pakai kaca mata pelindung untuk melindungi mata anda daripada kecederaan apabila menggunakan alat kuasa. Kaca mata mestilah mematuhi ANSI Z87.1 di AS, EN 166 di Eropah, atau AS/NZS 1336 di Australia/ New Zealand. Di Australia/New Zealand, undang-undang mengarahkan untuk memakai pelindung muka bagi melindungi muka anda, juga.



Menjadi tanggungjawab majikan untuk menguatkuasa penggunaan peralatan perlindungan keselamatan yang bersesuaian oleh pengendali alat dan oleh orang lain dalam kawasan bekerja semasa.

Penggunaan dan penjagaan alat kuasa

1. Jangan gunakan alat kuasa dengan kasar. Gunakan alat kuasa yang betul untuk penggunaan anda. Alat kuasa yang betul akan melakukan tugas dengan lebih baik dan lebih selamat pada kadar mana ia direka cipta.
2. Jangan gunakan alat kuasa jika suis tidak berfungsi untuk menghidupkan dan mematikannya. Alat kuasa yang tidak dapat dikawal dengan suis adalah berbahaya dan mesti dibaiki.
3. Cabut palam dari sumber kuasa dan/atau keluarkan pek bateri, jika boleh ditanggalkan, dari alat kuasa sebelum membuat sebarang pelarasan, menukar aksesori, atau menyimpan alat kuasa. Langkah-langkah keselamatan pencegahan sedemikian mengurangkan risiko memulakan alat kuasa secara tidak sengaja.
4. Simpan alat kuasa yang tidak digunakan jauh dari jangkauan kanak-kanak dan jangan biarkan orang yang tidak biasa dengan alat kuasa atau arahan ini untuk mengendalikan alat kuasa. Alat kuasa adalah berbahaya di tangan pengguna yang tidak terlatih.

5. Menyelenggara alat kuasa dan aksesori. Periksa salah jajaran atau ikatan pada bahagian yang bergerak, bahagian yang pecah dan apa-apa keadaan lain yang boleh menjejaskan operasi alat kuasa. Jika rosak, baiki alat kuasa sebelum digunakan. Kebanyakan kemalangan adalah disebabkan oleh alat kuasa yang tidak dijaga dengan baik.
6. Pastikan alat pemotong tajam dan bersih. Alat pemotong yang dijaga dengan betul dengan hujung pemotong yang tajam mempunyai kemungkinan yang rendah untuk terikat dan lebih mudah dikendalikan.
7. Gunakan alat kuasa, aksesori dan alat bit dan sebagainya mengikut arahan ini dengan mengambil kira keadaan kerja dan kerja yang perlu dilakukan. Penggunaan alat kuasa untuk operasi yang berbeza dari yang dimaksudkan boleh menyebabkan keadaan berbahaya.
8. Pastikan pemegang dan permukaan pegangan kering, bersih dan bebas dari minyak dan gris. Pemegang dan permukaan pegangan yang licin tidak membolehkan pengendalian dan kawalan selamat bagi alat dalam situasi yang tidak dijangka.
9. Apabila menggunakan alat, jangan pakai sarung tangan kerja kain yang mungkin boleh kusut. Kekusutan sarung tangan kerja kain pada bahagian yang bergerak boleh menyebabkan kecederaan diri.

Servis

1. Pastikan alat kuasa anda diservis oleh orang yang berkelayakan dengan hanya menggunakan alat ganti yang sama. Ini akan memastikan keselamatan alat kuasa dapat dikekalkan.
2. Ikut arahan untuk melincir dan menukar aksesori.

Arahan keselamatan untuk gergaji miter

1. Gergaji miter bertujuan untuk memotong produk kayu atau seakan kayu, ia tidak boleh digunakan dengan roda pemotongan lelas untuk memotong bahan ferus seperti bar, rod, kancing, dll. Habuk lelas menyebabkan bahagian yang bergerak seperti pengadang bawah tersangkut. Percikan api daripada pemotongan lelas akan membakar pengadang bawah, masukkan keratan dan bahagian plastik lain.
2. Gunakan pengapit untuk menyokong bahan kerja apabila mungkin. Jika menyokong bahan kerja dengan tangan, anda mestilah sentiasa memastikan tangan anda sekurang-kurangnya 100 mm dari kedua-dua belah bilah gergaji. Jangan gunakan gergaji ini untuk memotong kepingan yang terlalu kecil untuk dikapit dengan kukuh atau dipegang dengan tangan. Jika tangan anda diletakkan terlalu dekat dengan bilah gergaji, terdapat peningkatan risiko kecederaan akibat sentuhan bilah.

3. **Bahan kerja mesti pegun dan dikapit atau dipegang pada pagar dan meja. Jangan masukkan bahan kerja ke dalam bilah atau potong "bebas tangan" dalam apa cara sekalipun.** Bahan kerja yang tidak ditahan atau bergerak boleh melayang pada kelajuan tinggi, menyebabkan kecederaan.
 4. **Tolak gergaji melalui bahan kerja. Jangan tarik gergaji melalui bahan kerja. Untuk membuat potongan, naikkan kepala gergaji dan tarik keluar bahan kerja tanpa memotong, mulakan motor, tekan kepala gergaji ke bawah dan tolak gergaji melalui bahan kerja.** Memotong pada strok tarik mungkin menyebabkan bilah gergaji ter naik di atas bahan kerja dan melayangkan pemasangan bilah ke arah pengendali.
 5. **Jangan sekali-kali menyilangkan tangan anda ke atas garis pemotongan yang ditunjukkan di hadapan atau di belakang bilah gergaji.** Menyokong bahan kerja dengan "tangan bersilang" contohnya memegang benda kerja di sebelah kanan bilah gergaji dengan tangan kiri atau sebaliknya sangat berbahaya.
- **Rajah1**
6. **Jangan menjangkau belakang pagar dengan mana-mana tangan lebih dekat daripada 100 mm dari kedua-dua belah bilah gergaji, untuk mengeluarkan sisa kayu, atau atas sebab lain ketika bilah berputar.** Jarak dekat bilah gergaji berputar dengan tangan anda mungkin tidak jelas dan anda boleh tercedera dengan serius.
 7. **Periksa bahan kerja anda sebelum memotong. Sekiranya bahan kerja bengkok atau meleding, apitkan ia dengan muka bengkok luar menghadap ke arah pagar. Sentiasa pastikan bahawa tiada jarak antara bahan kerja, pagar dan meja di sepanjang garis potongan.** Bahan kerja bengkok atau meleding boleh berputar atau beralih dan boleh menyebabkan kapitan pada bilah gergaji berputar semasa pemotongan. Paku dan objek asing tidak boleh wujud pada bahan kerja.
 8. **Jangan gunakan gergaji sehingga meja bebas daripada semua alat, sisa kayu dll., kecuali untuk bahan kerja.** Serpihan kecil atau kepingan kayu leraai atau objek lain yang bersentuhan dengan bilah berpusing boleh melayang dengan kelajuan tinggi.
 9. **Potong hanya satu bahan kerja pada satu masa.** Beberapa bahan kerja yang ditandakan tidak dapat dikapit atau dirembat sewajarnya dan boleh terkapit pada bilah atau beralih semasa pemotongan.
 10. **Pastikan gergaji miter dipasang atau diletakkan pada permukaan kerja yang teguh dan rata sebelum digunakan.** Permukaan kerja yang rata dan teguh mengurangkan risiko gergaji miter menjadi tidak stabil.
 11. **Rancang kerja anda. Setiap kali anda menukar tetapan sudut serong atau miter, pastikan pagar boleh laras ditetapkan dengan betul untuk menyokong bahan kerja dan tidak akan mengganggu bilah atau sistem pengadangan.** Tanpa menghidupkan alat "ON" dan tanpa bahan kerja di atas meja, gerakkan bilah gergaji melalui potongan disimulasikan lengkap untuk memastikan tiada gangguan atau bahaya terpotong pagar.
 12. **Sediakan sokongan yang mencukupi seperti sambungan meja, kekuda gergaji dll. untuk bahan kerja yang lebih luas atau lebih panjang daripada atas meja.** Bahan kerja lebih panjang atau lebih luas daripada meja gergaji miter boleh terjongket jika tidak disokong dengan kukuh. Jika kepingan potongan atau bahan kerja terjongket, ia boleh mengangkat pengadang bawah atau dilayangkan oleh bilah berputar.
 13. **Jangan gunakan orang lain sebagai pengganti untuk sambungan meja atau sebagai sokongan tambahan.** Sokongan yang tidak stabil untuk bahan kerja boleh menyebabkan bilah terkapit atau benda kerja teralih semasa operasi pemotongan menarik anda dan pembantu ke arah bilah berputar.
 14. **Kepingan potongan tidak boleh disangkut atau ditekkan dengan cara apa-apa pada bilah gergaji berputar.** Jika tersangkut, contohnya menggunakan penyekat panjang, kepingan potongan boleh tersepit pada bilah dan melayang dengan teruk.
 15. **Sentiasa gunakan pengapit atau lekapan yang dikhasakan untuk menyokong bahan bulat seperti rod atau tiub.** Rod mempunyai kecenderungan untuk bergolek semasa dipotong, menyebabkan bilah untuk "menggigit" dan menarik kerja dengan tangan anda ke dalam bilah.
 16. **Biarkan bilah mencapai kelajuan penuh sebelum menyentuh bahan kerja.** Ini akan mengurangkan risiko bahan kerja melayang.
 17. **Jika benda kerja atau bilah tersangkut, matikan gergaji miter tersebut. Tunggu semua bahagian bergerak berhenti dan cabut palam dari sumber kuasa dan/atau keluarkan pek bateri. Kemudian usahakan untuk membebaskan bahan yang tersangkut.** Meneruskan menggergaji dengan bahan kerja yang tersangkut boleh menyebabkan hilang kawalan atau kerosakan pada gergaji miter.
 18. **Selepas menyelesaikan potongan, lepaskan suis, pegang kepala gergaji dan tunggu bilah berhenti sebelum mengeluarkan kepingan potongan.** Menjangkau dengan tangan anda dekat dengan bilah peluncur adalah berbahaya.
 19. **Pegang pemegang dengan kemas semasa membuat pemotongan tidak lengkap atau apabila melepaskan suis sebelum kepala gergaji dalam kedudukan bawah sepenuhnya.** Tindakan membrek gergaji boleh menyebabkan kepala gergaji ditarik secara tiba-tiba ke bawah, menyebabkan risiko kecederaan.

20. Hanya gunakan bilah gergaji dengan diameter yang ditanda pada alat atau yang dinyatakan dalam manual. Penggunaan saiz bilah gergaji yang salah mungkin menjejaskan pengadangan bilah gergaji yang betul atau operasi pengadang yang akan menyebabkan kecederaan diri yang serius.
21. Hanya gunakan bilah gergaji yang ditanda dengan kelajuan yang sama atau lebih tinggi daripada kelajuan yang ditanda pada alat.
22. Jangan gunakan gergaji untuk memotong bahan selain daripada yang ditentukan.
23. (Untuk negara-negara Eropah sahaja) Sentiasa gunakan bilah yang mematuhi EN847-1, jika bertujuan untuk kayu dan bahan beranalog.

Arahan tambahan

1. Jadikan bengkel bebas kanak-kanak dengan mengunci mangga.
2. Jangan sekali-kali berdiri di atas alat. Kecederaan serius boleh berlaku jika alat terjongket atau jika alat pemotongan bersentuhan dengan tidak sengaja.
3. Jangan sekali-kali tinggalkan alat yang sedang berjalan tanpa pengawasan. Matikan kuasa. Jangan tinggalkan alat sehingga ia berhenti sepenuhnya.
4. Jangan kendalikan gergaji tanpa pengadang di tempatnya. Periksa pengadang bilah ditutup dengan betul sebelum setiap penggunaan. Jangan kendalikan gergaji jika pengadang bilah tidak bergerak dengan bebas dan tertutup serta merta. Jangan sekali-kali mengapit atau mengikat pengadang bilah pada kedudukan terbuka.
5. Pastikan tangan keluar dari laluan bilah gergaji. Elakkan sentuhan dengan apa-apa bilah gergaji peluncur. Ia masih boleh menyebabkan kecederaan parah.
6. Untuk mengurangkan risiko kecederaan, kembalikan pembawa ke kedudukan belakang penuh selepas setiap operasi potong lintang.
7. Sentiasa pastikan semua bahagian bergerak sebelum membawa alat itu.
8. Pin penahan atau tuil penahan yang mengunci kepala pemotong adalah untuk tujuan membawa dan bagi tujuan penyimpanan sahaja dan bukan untuk sebarang operasi pemotongan.
9. Periksa bilah gergaji dengan teliti untuk melihat keretakan atau kerosakan sebelum operasi. Gantikan bilah gergaji yang telah retak atau rosak dengan segera. Gejala getah dan kayu yang mengeras pada bilah gergaji memperlambatkan gergaji dan meningkatkan potensi berlakunya tolak keluar. Pastikan bilah gergaji bersih dengan mengelulkannya daripada alat dahulu, kemudian bersihkannya dengan penanggal damar dan gejala, air panas atau kerosin. Jangan gunakan petrol untuk membersihkan bilah gergaji.

10. Semasa membuat potongan gelangsar, TOLAK KELUAR boleh berlaku. TOLAK KELUAR terjadi apabila bilah gergaji terkapit di dalam bahan kerja semasa operasi pemotongan dan bilah gergaji didorong dengan pantas ke arah pengendali. Kehilangan kawalan dan kecederaan diri yang serius boleh berlaku. Jika bilah gergaji mula terkapit semasa operasi pemotongan, jangan terus memotong dan lepaskan suis serta-merta.
11. Gunakan hanya bebibir yang khusus untuk alat ini.
12. Berhati-hati agar tidak merosakkan arbor, bebibir (terutamanya permukaan pemasangan) atau bolt. Kerosakan kepada bahagian ini boleh mengakibatkan bilah gergaji pecah.
13. Pastikan bahawa tapak putaran dikukuhkan dengan betul supaya tidak bergerak semasa operasi. Gunakan lubang di tapak untuk memasang gergaji ke platform atau meja bangku kerja yang stabil. JANGAN SEKALI-KALI menggunakan alat di mana kedudukan pengendali adalah janggal.
14. Pastikan kunci aci dilepaskan sebelum suis dihidupkan.
15. Pastikan bilah gergaji tidak menyentuh tapak putaran pada kedudukan terendah.
16. Pegang pemegang dengan kukuh. Sila ambil perhatian bahawa gergaji bergerak ke atas atau ke bawah sedikit semasa permulaan dan berhenti.
17. Pastikan bilah gergaji tidak menyentuh bahan kerja sebelum suis dihidupkan.
18. Sebelum menggunakan alat pada bahan kerja sebenar, biarkan ia beroperasi seketika. Perhatikan getaran atau goyangan yang boleh menandakan pemasangan yang lemah atau bilah gergaji yang sangat tidak seimbang.
19. Hentikan operasi serta-merta jika anda mendapati sesuatu yang tidak normal.
20. Jangan cuba mengunci pemicu di kedudukan "ON".
21. Sentiasa menggunakan aksesori dicadangkan dalam manual ini. Penggunaan aksesori yang tidak betul seperti roda pelepas boleh menyebabkan kecederaan.
22. Sesetengah bahan mengandungi bahan kimia yang mungkin toksik. Sila berhati-hati untuk mencegah penyedutan habuk dan sentuhan kulit. Ikut data keselamatan pembekal bahan.

Peraturan keselamatan tambahan untuk lampu operasi

1. Jangan lihat ke dalam cahaya atau lihat sumber cahaya secara langsung.

SIMPAN ARAHAN INI.

⚠️ AMARAN: JANGAN biarkan keselesaan atau kebiasaan dengan produk (daripada penggunaan berulang) menggantikan pematuhan ketat terhadap peraturan keselamatan untuk produk yang ditetapkan. SALAH GUNA atau kegagalan mematuhi peraturan-peraturan keselamatan yang dinyatakan dalam manual arahan ini boleh menyebabkan kecederaan diri yang serius.

KETERANGAN BAHAGIAN

► Rajah2

1	Skrup pelaras (untuk kedudukan had rendah)	2	Lengan penahan	3	Beg habuk	4	Skrup ibu jari (untuk gelangсар pembawa)
5	Penunjuk (untuk sudut serong)	6	Skala sudut serong	7	Lubang gelangсар	8	Ragum menegak
9	Pagar gelongsor	10	0° bolt pelaras (untuk sudut serong)	11	Pagar panduan	12	Subtapak
13	Tapak putaran	14	Skala sudut miter	15	Petunjuk (untuk sudut miter)	16	Papan keratan
17	Tuil pelaras (untuk tapak putaran)	18	Tuil kunci (untuk tapak putaran)	19	Genggam (untuk tapak putaran)	20	Pengadang pengumpul habuk
21	Pengadang bilah	22	Lampu	23	Pemegang (untuk operasi)	24	Pemicu suis
25	Lubang untuk mangga	26	Butang buka kunci	27	Pemegang pembawa	-	-

► Rajah3

1	Suis lampu	2	Kunci aci	3	Bolt pelaras (untuk kapasiti pemotongan maksimum)	4	Pin penahan (untuk penaikan pembawa)
5	Plat set	6	Kunci allen	7	45° bolt pelaras (untuk sudut serong)	8	Tuil (untuk sudut serong)
9	Butang pelepas (untuk sudut serong)	-	-	-	-	-	-

PEMASANGAN

Pelekapan bangku

⚠️ AMARAN: Pastikan alat tidak bergerak pada permukaan yang menyokong. Pergerakan gergaji miter pada permukaan yang menyokong semasa memotong boleh menyebabkan hilang kawalan dan kecederaan diri yang serius.

1. Kukuhkan tapak pada permukaan yang setaraf dan stabil, menskrup dengan bolt. Ini membantu mengelakkan terjongket dan kemungkinan kecederaan.

► **Rajah4:** 1. Bolt 2. Lubang lekapan

2. Putar bolt pelaras mengikut arah jam atau lawan arah jam supaya ia bersentuhan dengan permukaan lantai untuk memastikan alat itu stabil.

► **Rajah5:** 1. Bolt pelaras

KETERANGAN FUNGSI

⚠️ AMARAN: Sentiasa pastikan bahawa alat dimatikan dan palam alat dicabut sebelum menyesuaikan atau memeriksa fungsi pada alat. Kegagalan untuk mematikan dan mencabut palam alat mungkin menyebabkan kecederaan diri yang serius daripada permulaan tanpa sengaja.

Kunci pengendali

⚠️ PERHATIAN: Sentiasa memegang pemegang apabila membawa pin penahan. Jika tidak pemegang akan melantun ke atas dan boleh menyebabkan kecederaan diri.

Semasa alat dihantar, pemegangnya dikunci dalam kedudukan yang rendah dengan pin penahan. Untuk membuka kunci pemegang, tarik pin penahan semasa merendahkan sedikit pemegang.

► **Rajah6:** 1. Pin penahan

Kunci gelangсар

Untuk membenarkan pergerakan gelangсар pembawa, longgarkan skru ibu jari pada lengan. Untuk mengunci pergerakan gelangसर pembawa, gerakkan pembawa ke tempat yang anda mahu, dan kemudian ketatkan skru ibu jari dengan kemas.

► **Rajah7:** 1. Skru ibu jari 2. Lengan

Pengawal bilah

AMARAN: Jangan sekali-kali menanggalkan atau mengeluarkan pengadang bilah atau pegas yang dipasang pada pengadang. Bilah gergaji bulat yang terdedah hasil daripada kegagalan pengadang boleh menyebabkan kecederaan diri yang serius semasa operasi.

AMARAN: Jangan sekali-kali menggunakan alat jika pengadang bilah atau pegas musnah, rosak atau dikeluarkan. Pengendalian alat menggunakan pengadang yang musnah, rosak atau dikeluarkan boleh menyebabkan kecederaan diri yang serius.

PERHATIAN: Sentiasa kekalkan pengadang bilah dalam keadaan yang baik untuk pengendalian yang selamat. Hentikan pengendalian dengan segera jika terdapat sebarang keganjilan pada pengadang bilah. Periksa untuk memastikan tindakan pulang pegas dimuatkan pengadang.

Apabila menurunkan pemegang, pengadang bilah naik secara automatik. Pengadang dimuatkan dengan pegas supaya ia kembali ke kedudukan asalnya apabila potongan selesai dan pemegangnya dinaikkan.

► **Rajah8:** 1. Pengawal bilah

Membersih

Jika pengadang bilah telus cahaya menjadi kotor atau habuk gergaji melekat pada pengadang bilah tersebut sehingga bilah gergaji bulat dan/atau bahan kerja tidak lagi mudah dilihat, tanggalkan alat daripada palam dan bersihkan pengadang dengan berhati-hati dengan kain lembap. Jangan gunakan pelarut atau mana-mana pembersih berasaskan petroleum pada pengadang plastik kerana ia boleh menyebabkan kerosakan kepada pengadang.

Ikuti arahan langkah demi langkah yang disenaraikan tentang cara penyediaan untuk pembersihan.

1. Pastikan bahawa alat dimatikan dan ditanggalkan daripada palam.
 2. Putarkan bolt soket heksagon lawan arah jam menggunakan kunci allen yang diberikan dengan pemegang penutup tengah.
 3. Naikkan pengadang bilah dan penutup tengah.
 4. Setelah selesai pembersihan, pulangkan penutup tengah dan ketatkan bolt soket heksagon dengan melakukan langkah-langkah di atas secara terbalik.
- **Rajah9:** 1. Kunci allen 2. Bolt soket heksagon 3. Penutup tengah 4. Pengawal bilah

AMARAN: Jangan keluarkan pegas memegang pengadang bilah. Jika pengadang rosak lama-kelamaan atau kerana pendedahan cahaya UV, hubungi pusat servis Makita untuk pengadang baharu. **JANGAN TANGGALKAN ATAU KELUARKAN PENGADANG.**

Meletakkan papan keratan

Alat ini disediakan dengan papan keratan di tapak putaran untuk meminimumkan robekan pada sisi keluar potongan. Papan keratan adalah diselaraskan kilang supaya bilah gergaji bulat tidak menyentuh papan keratan. Sebelum digunakan, laraskan papan keratan seperti berikut:

1. Pastikan bahawa alat dicabut. Kemudian, longgarkan semua skru (tiga masing-masing di kiri dan kanan) yang mengukuhkan papan keratan.
- **Rajah10:** 1. Papan keratan 2. Skru
2. Ketatkan semula ia sekadar papan keratan masih dapat digerakkan dengan mudah menggunakan tangan.
3. Turunkan pemegang sepenuhnya, kemudian kuncikannya di kedudukan yang diturunkan dengan pin penahan.
4. Longgarkan skru ibu jari pada lengan yang memastikan pergerakan gelangसर pembawa.

Tarik pembawa ke arah anda sepenuhnya.

► **Rajah11:** 1. Skru ibu jari 2. Lengan

5. Laraskan papan keratan supaya papan keratan rapat dengan tepi gigi bilah gergaji.

► **Rajah12**

- **Rajah13:** 1. Bilah gergaji bulat 2. Gigi bilah 3. Papan keratan 4. Potongan serong kiri 5. Potongan lurus

6. Ketatkan skru depan (jangan ketatkan dengan kemas).
7. Gelangsarkan pembawa ke tengah-tengah antara hujung depan papan keratan dan pagar panduan. Laraskan papan keratan supaya papan keratan rapat dengan tepi gigi bilah gergaji.
8. Ketatkan skru tengah (jangan ketatkan dengan kukuh).
9. Tolak pembawa ke arah pagar panduan sepenuhnya dan laraskan papan keratan supaya papan keratan rapat dengan sisi gigi bilah gergaji.
10. Ketatkan skru belakang (jangan ketatkan dengan kemas).
11. Lepaskan pin penahan untuk kunci pengendali dan naikkan pemegang. Kemudian ketatkan semua skru dengan kemas.

NOTIS: Selepas menetapkan sudut serong, pastikan papan keratan dilaraskan dengan betul. Pelarasan papan keratan yang betul membantu memberikan sokongan yang betul kepada bahan kerja dan meminimumkan robekan bahan kerja.

Mengekalkan kapasiti pemotongan maksimum

Alat ini adalah diselaraskan oleh kilang untuk menyediakan kapasiti pemotongan maksimum untuk bilah gergaji bulat 260 mm.

Semasa memasang bilah gergaji bulat baharu, sentiasa periksa kedudukan had bawah bilah gergaji bulat dan jika perlu, laraskan ia seperti berikut:

1. Cabut alat tersebut. Kemudian, tolak pembawa ke pagar panduan sepenuhnya dan turunkan pemegang sepenuhnya.

2. Gunakan kunci allen (di bahagian pemutar skru) untuk memutar bolt pelaras sehingga bilah gergaji bulat berada sedikit di bawah keratan rentas pagar panduan dan permukaan atas tapak putaran.

► **Rajah14:** 1. Bolt pelaras 2. Pagar panduan

► **Rajah15**

3. Putar bilah gergaji bulat dengan tangan sambil memegang pemegang sepenuhnya ke bawah untuk memastikan bahawa bilah gergaji bulat tidak menyentuh mana-mana bahagian tapak bawah. Laraskan semula kapasiti pemotongan maksimum, jika perlu.

⚠️AMARAN: Selepas memasang bilah gergaji bulat baharu dan dengan alat ditanggalkan daripada palam, pastikan bahawa bilah gergaji bulat tidak menyentuh mana-mana bahagian tapak bawah apabila pemegang diturunkan sepenuhnya. Jika bilah gergaji bulat menyentuh tapak, ia boleh menyebabkan tolak keluar dan menyebabkan kecederaan diri yang serius.

► **Rajah16**

Lengan penahan

Kedudukan had bawah bilah gergaji boleh diselaraskan dengan mudah menggunakan lengan penahan. Untuk melaraskan had bawah, gerakkan lengan penahan mengikut arah anak panah yang ditunjukkan dalam rajah. Putarkan skru pelaras supaya bilah gergaji berhenti pada kedudukan yang diinginkan apabila menurunkan pemegang sepenuhnya.

► **Rajah17:** 1. Lengan penahan 2. Skru pelaras

Melaraskan sudut miter

⚠️PERHATIAN: Selepas menukar sudut miter, sentiasa kukuhkan tapak putaran dengan mengetatkan genggam dengan kemas.

NOTIS: Semasa memutar tapak putaran, pastikan anda mengangkat pemegang sepenuhnya.

Putar genggam lawan arah jam untuk membuka kunci tapak putaran. Pusingkan genggam sambil memegang tuas kunci untuk menggerakkan tapak putaran. Sejajarkan penunjuk dengan sudut yang diinginkan pada skala sudut miter kemudian ketatkan genggam.

► **Rajah18:** 1. Tuil kunci 2. Genggam 3. Penunjuk

Fungsi henti positif

Gergaji miter ini menggunakan fungsi henti positif. Anda boleh menetapkan 0°, 15°, 22.5°, 31.6° dan 45° sudut miter kiri/kanan dengan cepat. Untuk menggunakan fungsi ini, putarkan tapak putaran rapat ke kedudukan hentian positif yang anda inginkan sambil memegang tuil kunci. Kemudian lepaskan tuil kunci dan gerakan tapak putaran ke sudut hentian positif yang anda inginkan sehingga tapak putaran dikunci.

Melaraskan sudut serong

⚠️PERHATIAN: Selepas menukar sudut serong, sentiasa kukuhkan lengan dengan mengetatkan tuil mengikut arah jam.

NOTIS: Sentiasa tanggalkan ragum menegak sebelum melaraskan sudut serong.

NOTIS: Semasa menjongketkan bilah gergaji bulat, pastikan pembawa diangkat sepenuhnya.

NOTIS: Semasa menukar sudut serong, pastikan anda meletakkan papan keratan yang dengan betul seperti yang dijelaskan dalam bahagian untuk meletakkan papan keratan.

NOTIS: Jangan ketatkan tuil terlalu kuat. Berbuat demikian boleh menyebabkan pincang tugas ke atas mekanisme penguncian sudut serong.

Jongketkan bilah gergaji bulat ke kiri 0° - 45°

1. Putar tuil lawan arah jam.
2. Pegang pemegang dan jongketkan pembawa ke kiri.
3. Sejajarkan penunjuk dengan sudut yang diinginkan pada skala sudut serong.
4. Ketatkan tuil arah jam untuk mengukuhkan lengan.

► **Rajah19:** 1. Tuil 2. Pemegang 3. Penunjuk 4. Skala sudut serong

Jongketkan bilah gergaji bulat melebihi kiri 0° - 45°

1. Putar tuil lawan arah jam.
2. Pegang pemegang dan tetapkan pembawa pada 0° untuk sisi 2° kanan, atau 45° untuk sisi 47° kiri.
3. Jongketkan sedikit pembawa ke sisi bertentangan.
4. Tekan butang pelepas.
5. Jongketkan pembawa ke kedudukan yang diinginkan melebihi julat 0° - 45°.
6. Ketatkan tuil arah jam untuk mengukuhkan lengan.

Apabila menjongketkan pembawa ke kanan 2°

► **Rajah20:** 1. Tuil 2. Pemegang 3. Butang pelepas

Apabila menjongketkan pembawa ke kiri 47°

► **Rajah21:** 1. Tuil 2. Pemegang 3. Butang pelepas

Tindakan suis

⚠️ AMARAN: Sebelum memasang alat, sentiasa periksa untuk melihat pemacu suis bergerak dengan betul dan kembali ke posisi "OFF" apabila dilepaskan. Jangan tarik pemacu suis dengan kuat tanpa menekan butang buka kunci. Ini boleh menyebabkan suis rosak. Mengendalikan alat dengan suis yang tidak bergerak dengan betul boleh menyebabkan hilang kawalan dan kecederaan diri yang serius.

⚠️ AMARAN: JANGAN SEKALI-KALI menggunakan alat tanpa pemacu suis yang beroperasi sepenuhnya. Apa-apa alat yang mempunyai suis tidak beroperasi adalah SANGAT BERBAHAYA dan mesti dibaiki sebelum penggunaan selanjutnya atau kecederaan diri yang serius akan berlaku.

⚠️ AMARAN: JANGAN SEKALI-KALI gagalkan butang buka kunci dengan mengetuk atau dengan cara yang lain. Suis dengan butang buka kunci yang tidak berfungsi mungkin menyebabkan operasi yang tidak disengajakan dan kecederaan diri yang serius.

⚠️ AMARAN: JANGAN SEKALI-KALI gunakan alat jika ia berjalan apabila anda hanya menarik pemacu suis tanpa menekan butang buka kunci. Suis yang perlu dibaiki mungkin menyebabkan operasi yang tidak disengajakan dan kecederaan diri yang serius. Kembalikan alat kepada pusat servis Makita untuk pembaikan yang betul SEBELUM penggunaan seterusnya.

Untuk mengelakkan pemacu suis daripada ditarik secara tidak sengaja, butang buka kunci disediakan. Untuk memulakan alat, tekan ke dalam butang buka kunci dan tarik pemacu suis. Lepaskan pemacu suis untuk berhenti. Lubang disediakan dalam pemacu suis untuk memasukkan mangga untuk mengunci alat.

► **Rajah22:** 1. Pemacu suis 2. Butang buka kunci 3. Lubang untuk mangga

⚠️ AMARAN: Jangan gunakan kunci dengan batang atau kabel berdiameter lebih kecil daripada 6.35 mm. Batang atau kabel yang lebih kecil mungkin tidak mengunci alat dengan betul di kedudukan mati dan operasi yang tidak disengajakan mungkin berlaku yang mengakibatkan kecederaan diri yang serius.

Menuang garisan pemotongan

⚠️ PERHATIAN: Lampu bukan kalis hujan. Jangan cuci lampu di dalam air atau menggunakannya di bawah hujan atau di kawasan basah. Tingkah laku sedemikian boleh menyebabkan kejutan elektrik dan asap.

⚠️ PERHATIAN: Jangan sentuh kanta lampu, kerana ia sangat panas semasa ia menyala atau beberapa ketika selepas dimatikan. Ini boleh menyebabkan melecur.

⚠️ PERHATIAN: Jangan kenakan impak kepada lampu, yang boleh menyebabkan kerosakan atau memendekkan masa perkhidmatannya.

⚠️ PERHATIAN: Jangan lihat ke dalam cahaya atau lihat sumber cahaya secara langsung.

Lampu LED memancarkan cahaya di atas bilah gergaji bulat, dan bayang-bayang bilah gergaji jatuh di atas bahan kerja yang bertindak sebagai penunjuk garisan pemotongan bebas kalibrasi. Tekan suis lampu untuk mengeluarkan cahaya. Satu garis muncul di mana bilah gergaji akan mencapai permukaan bahan kerja, menjadi semakin mendalam apabila bilah gergaji direndahkan.

► **Rajah23:** 1. Suis lampu 2. Lampu 3. Garisan pemotongan

Penunjuk membantu memotong melalui garis potongan sedia ada yang dilukis pensel pada bahan kerja.

1. Pegang pemegang dan rendahkan bilah gergaji bulat agar bayang padat bilah gergaji terpantul pada bahan kerja.
2. Sejajarkan garis potongan yang dilukis pada bahan kerja dengan garis potongan berbayang.
3. Laraskan sudut miter dan sudut serong jika perlu.

NOTA: Pastikan anda mematikan suis lampu selepas digunakan. Jika tidak, lampu kekal panas.

Fungsi elektronik

Ciri mula ringan

Fungsi ini membolehkan permulaan alat yang lancar dengan menghadkan tork permulaan.

PEMASANGAN

⚠️ AMARAN: Sentiasa pastikan alat dimatikan dan palangnya dicabut sebelum bekerja pada alat. Kegagalan untuk mematikan dan mencabut palam alat mungkin menyebabkan kecederaan diri yang serius.

Penyimpanan sepenuh heksagon

Apabila tidak digunakan, simpan sepenuh heksagon seperti yang ditunjukkan dalam rajah itu agar tidak hilang.

► **Rajah24:** 1. Kunci allen

Memasang atau mengeluarkan bilah gergaji bulat

⚠️ AMARAN: Sentiasa pastikan alat itu dimatikan dan palamnya dicabut sebelum mengeluarkan dan memasang bilah gergaji bulat. Permulaan alat secara tidak sengaja boleh mengakibatkan kecederaan diri yang serius.

⚠️ AMARAN: Gunakan hanya perengkuh Makita yang disediakan untuk mengeluarkan atau memasang bilah gergaji bulat. Kegagalan untuk menggunakan perengkuh boleh menyebabkan terlebihi ketat atau pengetatan bolt soket heksagon yang tidak mencukupi dan menyebabkan kecederaan diri yang serius.

⚠️ AMARAN: Jangan sesekali menggunakan atau menggantikan alat yang tidak dibekalkan dengan alat ini. Menggunakan alat tersebut boleh menyebabkan kecederaan ke atas diri dengan serius.

⚠️ AMARAN: Selepas memasang bilah gergaji bulat, sentiasa pastikan ia dipasang dengan kukuh. Sambungan bilah gergaji bulat yang longgar boleh menyebabkan kecederaan diri yang serius.

Penyediaan biasa memasang atau mengeluarkan bilah gergaji bulat

1. Buka kunci pembawa dengan menarik pin penahan, kemudian gerakkan pembawa ke kedudukan yang dinaikkan.
2. Longgarkan bolt soket heksagon yang memegang penutup tengah dengan menggunakan kunci allen. Kemudian, naikkan pengadang bilah dan penutup tengah.
▶ **Rajah25:** 1. Kunci allen 2. Bolt soket heksagon 3. Penutup tengah 4. Pengawal bilah

Memasang bilah gergaji bulat

⚠️ PERHATIAN: Pastikan anda memasang bilah gergaji bulat agar arah anak panah pada bilah gergaji bulat sepadan dengan arah pada bekas bilah. Kegagalan berbuat demikian boleh menyebabkan kecederaan diri yang serius dan menyebabkan kerosakan ke atas alat dan/atau bahan kerja.

1. Lengkapkan langkah-langkah dalam "Penyediaan biasa memasang atau mengeluarkan bilah gergaji bulat".
2. Tekan kunci aci untuk mengunci spindel dan gunakan kunci allen untuk melonggarkan bolt soket heksagon mengikut arah jam. Kemudian keluarkan bolt soket heksagon, bebibir luar dan bilah gergaji bulat.
▶ **Rajah26:** 1. Bolt soket heksagon (tangan kiri) 2. Bebibir luar 3. Kunci aci
3. Lekapkan bilah gergaji bulat pada bebibir dalam dengan berhati-hati. Pastikan bahawa arah anak panah pada bilah gergaji bulat sepadan dengan arah anak panah pada bekas bilah.
▶ **Rajah27:** 1. Anak panah

4. Pasang bebibir luar dan bolt heksagon. Ketatkan bolt soket heksagon (tangan kiri) lawan jam dengan selamat menggunakan kunci allen sambil menekan kunci aci.

▶ **Rajah28:** 1. Bolt soket heksagon (tangan kiri) 2. Bebibir luar 3. Bilah gergaji bulat 4. Gelang 5. Bebibir dalam 6. Spindel

▶ **Rajah29:** 1. Bolt soket heksagon (tangan kiri) 2. Bebibir luar 3. Kunci aci

5. Kembali pengadang bilah dan penutup tengah ke kedudukan asalnya. Kemudian, ketatkan bolt soket heksagon penutup pusat untuk mengukuhkannya.

Turunkan pemegang dan pastikan pengadang bilah bergerak dengan betul.

▶ **Rajah30:** 1. Kunci allen 2. Bolt soket heksagon 3. Penutup tengah 4. Pengawal bilah

Mengeluarkan bilah gergaji bulat

1. Lengkapkan langkah-langkah dalam "Penyediaan biasa memasang atau mengeluarkan bilah gergaji bulat".
2. Tekan masuk kunci aci untuk mengunci spindel. Longgarkan bolt soket heksagon arah jam dengan menggunakan kunci allen. Kemudian keluarkan bolt soket heksagon, bebibir luar dan bilah gergaji bulat.
▶ **Rajah31:** 1. Bolt soket heksagon (tangan kiri) 2. Bebibir luar 3. Kunci aci
3. Jika bebibir dalam ditanggalkan, pasang pada spindel dengan bahagian lekapan bilah mengadap bilah gergaji bulat. Jika bebibir dipasang dengan tidak betul, bebibir akan bergesel pada mesin.
▶ **Rajah32:** 1. Bolt soket heksagon (tangan kiri) 2. Bebibir luar 3. Bilah gergaji bulat 4. Gelang 5. Bebibir dalam 6. Spindel

NOTIS: Berhati-hati agar bebibir luar dan bolt soket heksagon yang dikeluarkan tidak hilang.

Menyambungkan pembersih hampagas

Apabila anda ingin melakukan operasi pemotongan bersih, sambungkan pembersih hampagas Makita.

NOTIS: Bergantung pada jenis pembersih vakum dan hos yang digunakan, port pengumpul habuk mungkin tersekat oleh pengadang pengumpul habuk, menjadikannya mustahil untuk mengumpul habuk. Dalam kes itu, melemahkan kuasa sedutan pembersih vakum.

▶ **Rajah33:** 1. Pengadang pengumpul habuk

Beg habuk

⚠️PERHATIAN: Apabila melakukan pemotongan, sentiasa sambungkan beg habuk atau sambungkan pembersih hampagas untuk mencegah bahaya berkaitan habuk.

Penggunaan beg habuk menjadikan operasi pemotongan bersih dan memudahkan pengumpulan habuk. Untuk memasang beg habuk, sambungkan beg habuk ke muncung habuk.

▶ **Rajah34:** 1. Beg habuk 2. Muncung habuk

Apabila beg habuk lebih kurang setengah penuh, keluarkan beg habuk daripada alat dan tarik kancingnya keluar. Kosongkan kandungan beg habuk, ketuk dengan ringan untuk mengeluarkan zarah yang melekat pada bahagian dalam yang mungkin menghalang pengumpulan selanjutnya.

▶ **Rajah35:** 1. Pengikat

Mengukuhkan bahan kerja

⚠️AMARAN: Adalah sangat penting untuk sentiasa mengukuhkan bahan kerja dengan betul menggunakan jenis ragum yang betul. Kegagalan berbuat demikian boleh menyebabkan kecederaan ke atas diri yang serius dan menyebabkan kerosakan ke atas alat dan/atau bahan kerja.

⚠️AMARAN: Selepas operasi pemotongan, jangan naikkan bilah gergaji sehingga bilah telah berhenti sepenuhnya. Menaikkan bilah gergaji luncauran boleh menyebabkan kecederaan ke atas diri yang serius dan merosakkan bahan kerja.

⚠️AMARAN: Semasa memotong bahan kerja yang lebih panjang daripada tapak sokongan gergaji miter, bahan hendaklah menyokong keseluruhan panjang bahan melebihi tapak sokongan dan pada ketinggian yang sama bagi memastikan tahap bahan. Sokongan bahan kerja yang betul akan membantu mengelakkan bilah terpelanting dan kebarangkalian tolak keluar yang boleh menyebabkan kecederaan diri yang serius. Jangan bergantung sepenuhnya kepada ragum menegak untuk mengukuhkan bahan kerja. Bahan nipis cenderung untuk melendut. Sokong bahan kerja pada panjang keseluruhannya untuk mengelakkan jepitan bilah dan kemungkinan TOLAK KELUAR.

▶ **Rajah36:** 1. Sokongan 2. Tapak putaran

Pagar panduan

⚠️AMARAN: Sebelum mengendalikan alat, pastikan pagar gelongsor dikukuhkan dengan skru pengapit dengan ketat.

⚠️AMARAN: Sebelum pemotongan serong, pastikan tiada bahagian alat terutamanya bilah gergaji bulat, menyentuh pagar apabila merendahkan dan menaikkan pemegang sepenuhnya dalam sebarang kedudukan dan apabila memindahkan pembawa di sepanjang perjalanannya. Jika alat atau bilah gergaji bulat tersentuh dengan pagar, ini boleh menyebabkan tolak keluar atau pergerakan pembawa yang tidak dijangka dan kecederaan diri yang serius.

Alat ini dilengkapi dengan pagar gelongsor. Apabila melakukan pemotongan serong kiri, longgarkan skru pengapit dan gerakan pagar gelongsor supaya ia tidak menghalang pergerakan pembawa. Kukuhkan pagar gelongsor dengan mengetatkan skru pengapit.

▶ **Rajah37:** 1. Pagar gelongsor 2. Pagar panduan 3. Skru pengapit

Ragum menegak

⚠️AMARAN: Bahan kerja mestilah dikukuhkan dengan kemas pada tapak putaran dan pagar panduan menggunakan ragum semasa semua operasi. Jika bahan kerja tidak dikukuhkan dengan betul pada pagar, bahan itu mungkin bergerak semasa operasi pemotongan yang menyebabkan kebarangkalian kerosakan kepada bilah gergaji, menyebabkan bahan tercampak dan hilang kawalan mengakibatkan kecederaan diri yang serius.

Ragum menegak boleh dipasang ke dalam lubang di sebelah kiri tapak, sebelah kanan tapak, atau sebelah kiri bawah tapak.

Tekan bahan kerja rata dengan pagar panduan dan tapak putaran. Letakkan bahan kerja pada kedudukan pemotongan yang dikehendaki dan kukuhkan ia dengan mengetatkan tombol ragum.

Pastikan tiada bahagian alat yang menyentuh ragum menegak apabila menurunkan pemegang sepenuhnya. Jika beberapa bahagian menyentuh ragum menegak, letakkan semula ragum menegak itu.

▶ **Rajah38:** 1. Lubang 2. Tombol ragum

Tapak sub

⚠️AMARAN: Sentiasa sokong bahan kerja yang panjang supaya rata dengan permukaan atas tapak putaran untuk potongan yang tepat dan untuk mengelakkan kehilangan kawalan berbahaya alat. Sokongan bahan kerja yang betul akan membantu mengelakkan bilah terpelanting dan kebarangkalian tolak keluar yang boleh menyebabkan kecederaan diri yang serius.

⚠️AMARAN: Sebelum operasi pemotongan, sentiasa pastikan subtapak dikukuhkan dengan skru ibu jari.

Untuk memegang bahan kerja panjang secara mendatar, tapak sub disediakan di kedua-dua sisi alat. Longgarkan skru ibu jari dan panjangkan subtapak kepada panjang yang sesuai untuk memegang bahan kerja. Kemudian, ketatkan skru ibu jari.

► **Rajah39:** 1. Tapak sub 2. Skru ibu jari

Semasa memotong, letakkan bahan kerja rasa di atas pagar panduan.

► **Rajah40:** 1. Pagar panduan 2. Tapak sub

OPERASI

Alat ini bertujuan untuk memotong produk kayu. Dengan bilah gergaji asli Makita yang sesuai, bahan berikut juga boleh digergajikan:

— Produk aluminium

Rujuk laman web kami atau hubungi peniaga Makita tempatan anda untuk bilah gergaji bulat yang betul untuk digunakan untuk bahan yang dipotong.

⚠️ AMARAN: Pastikan bilah gergaji tidak menyentuh bahan kerja dan lain-lain sebelum suis dihidupkan. Menghidupkan alat dengan bilah gergaji bersentuhan bahan kerja boleh menyebabkan tolak keluar dan kecederaan diri yang serius.

⚠️ AMARAN: Selepas operasi pemotongan, jangan naikkan bilah gergaji sehingga bilah telah berhenti sepenuhnya. Menaikkan bilah gergaji luncuran boleh menyebabkan kecederaan ke atas diri yang serius dan merosakkan bahan kerja.

⚠️ AMARAN: Jangan lakukan sebarang pelarasan seperti memutar genggam, tombol dan tuil pada alat semasa bilah gergaji sedang berputar. Pelarasan semasa bilah gergaji sedang berputar boleh menyebabkan kecederaan diri yang serius.

⚠️ PERHATIAN: Jangan lepaskan kepala gergaji yang tidak dikawal daripada kedudukan bawah penuh. Kepala gergaji yang tidak dikawal boleh terkena pada anda dan menyebabkan kecederaan diri.

NOTIS: Sebelum digunakan, pastikan anda membuka kunci pin penahan dan melepaskan pemegang dari kedudukan rendah.

NOTIS: Jangan gunakan tekanan berlebihan pada pemegang apabila memotong. Terlalu banyak daya boleh mengakibatkan lebih muatan motor dan/ atau mengurangkan kecekapan pemotongan. Tekan pemegang ke bawah dengan daya yang sewajarnya yang diperlukan untuk pemotongan lancar dan tanpa mengurangkan kelajuan bilah.

NOTIS: Tekan pemegang dengan perlahan-lahan untuk melakukan pemotongan. Jika pemegang ditekan ke bawah dengan kuat atau jika daya sisi digunakan, bilah gergaji akan bergetar dan meninggalkan tanda (tanda gergaji) dalam bahan kerja dan ketepatan potongan akan terjejas.

NOTIS: Semasa potongan gelangsar, tolak pembawa ke pagar panduan perlahan-lahan tanpa henti. Jika pergerakan pembawa dihentikan semasa potongan, satu tanda akan ditinggalkan di dalam bahan kerja dan ketepatan potongan akan terjejas.

Pemotongan tekanan

⚠️ AMARAN: Sentiasa kunci pergerakan gelangsar pembawa semasa menjalankan pemotongan tekanan. Memotong tanpa mengunci boleh menyebabkan kemungkinan tolak keluar yang boleh menyebabkan kecederaan diri yang serius.

Bahan kerja yang tinggi sehingga 91 mm dan lebar 90 mm boleh dipotong dengan cara berikut.

1. Tolak pembawa ke hadapan pagar panduan sehingga ia terhenti dan kuncikannya dengan skru ibu jari.
 2. Kukuhkan bahan kerja dengan jenis ragum yang betul.
 3. Hidupkan alat tanpa bilah gergaji bulat membuat sebarang sentuhan dan tunggu sehingga bilah gergaji bulat mencapai kelajuan penuh sebelum menurunkan.
 4. Turunkan pemegang ke kedudukan yang sepenuhnya dengan perlahan-lahan untuk memotong bahan kerja.
 5. Setelah pemotongan selesai, matikan alat dan tunggu sehingga bilah gergaji bulat berhenti sepenuhnya sebelum mengembalikan pemegang kepada kedudukan terangkat sepenuhnya.
- **Rajah41:** 1. Skru ibu jari

Pemotongan (tolak) gelangsar (memotong bahan kerja lebar)

AMARAN: Setiap kali melakukan potongan gelangsar, pertama, tarik pembawa sepenuhnya ke arah anda dan tekan pemegang ke kedudukan diturunkan sepenuhnya, kemudian tolak pembawa ke pagar panduan. Jangan sesekali memulakan potongan dengan pembawa tidak ditarik sepenuhnya ke arah anda. Jika anda menjalankan potongan gelangsar tanpa pembawa ditarik sepenuhnya ke arah anda, tolakan yang tidak dijangka boleh berlaku dan kecederaan diri yang serius boleh berlaku.

AMARAN: Jangan sesekali cuba melakukan pemotongan gelangsar dengan menarik pembawa ke arah anda. Menarik pembawa ke arah anda semasa memotong boleh menyebabkan tolak keluar yang tidak dijangka yang menyebabkan kemungkinan kecederaan diri yang serius.

AMARAN: Jangan sekali-kali melakukan potongan gelangsar dengan pemegang dikunci di kedudukan yang diturunkan.

1. Buka skru ibu jari supaya pembawa boleh diluncurkan dengan bebas.
 2. Kukuhkan bahan kerja dengan jenis ragum yang betul.
 3. Tarik pembawa ke arah anda sepenuhnya.
 4. Hidupkan alat tanpa bilah gergaji bulat menyentuh mana-mana dan tunggu sehingga bilah gergaji mencapai kelajuan penuh.
 5. Tekan pemegang ke bawah dan **tolak pembawa menghadap pagar panduan dan melalui bahan kerja**.
 6. Setelah pemotongan selesai, matikan alat dan **tunggu sehingga bilah gergaji berhenti sepenuhnya** sebelum mengembalikan bilah kepada kedudukan terangkat sepenuhnya.
- **Rajah42:** 1. Skru ibu jari

Pemotongan miter

Rujuk kepada bahagian untuk melaraskan sudut miter.

Potongan serong

AMARAN: Selepas menetapkan bilah gergaji untuk pemotongan serong, pastikan pembawa dan bilah gergaji boleh bergerak dengan bebas di sepanjang potongan yang diingini sebelum mengendalikan alat. Gangguan kepada pembawa atau bilah semasa operasi pemotongan boleh menyebabkan tolak keluar dan kecederaan diri yang serius.

AMARAN: Semasa membuat pemotongan serong, jauhkan tangan daripada laluan bilah gergaji. Sudut bilah gergaji boleh mengelirukan operator dengan laluan bilah yang sebenar semasa memotong dan menyentuh dengan bilah gergaji akan menyebabkan kecederaan diri yang serius.

AMARAN: Bilah gergaji tidak boleh dinaikkan sehingga ia terhenti sepenuhnya. Semasa pemotongan serong, bahan potongan mungkin terletak pada bilah gergaji. Jika bilah gergaji dinaikkan semasa ia berputar, bahan potongan mungkin ditolak oleh bilah gergaji menyebabkan bahan itu pecah yang boleh menyebabkan kecederaan diri yang serius.

NOTIS: Semasa menekan pemegang ke bawah, berikan tekanan selari dengan bilah gergaji. Jika paksaan dikenakan pada tapak putaran atau jika arah tekanan berubah semasa potongan, ketepatan potongan akan terjejas.

1. Tetapkan pagar gelongsor di sebelah kiri untuk mengelakkan pembawa daripada bersentuhan.
 2. Buka kunci pin penahan dan longgarkan skru ibu jari pada lengan supaya pembawa boleh dinaikkan dan meluncur dengan bebas.
 3. Laraskan sudut serong mengikut prosedur yang diterangkan dalam bahagian untuk pelarasan sudut serong. Kemudian ketatkan genggamannya.
 4. Kukuhkan bahan kerja dengan ragum.
 5. Tarik pembawa ke arah anda sepenuhnya.
 6. Hidupkan alat tanpa bilah gergaji bulat membuat sebarang sentuhan dan tunggu sehingga bilah gergaji bulat mencapai kelajuan penuh.
 7. Turunkan pemegang ke kedudukan yang sepenuhnya dengan perlahan-lahan sambil menggunakan tekanan selari dengan bilah gergaji bulat dan **tolak pembawa ke pagar panduan untuk memotong bahan kerja**.
 8. Setelah pemotongan selesai, matikan alat dan **tunggu sehingga bilah gergaji bulat berhenti sepenuhnya** sebelum mengembalikan bilah kepada kedudukan terangkat sepenuhnya.
- **Rajah43**

Pemotongan majmuk

Pemotongan majmuk ialah proses di mana sudut serong dibuat pada masa yang sama di mana sudut miter dipotong pada bahan kerja. Pemotongan majmuk boleh dilakukan pada sudut yang ditunjukkan dalam jadual.

Sudut miter	Sudut serong
0° Kiri dan Kanan - 45°	Kiri 0° - 45°

Semasa melakukan pemotongan majmuk, rujuk kepada bahagian untuk pemotongan tekanan, pemotongan (tolak) lancar, pemotongan miter dan pemotongan serong.

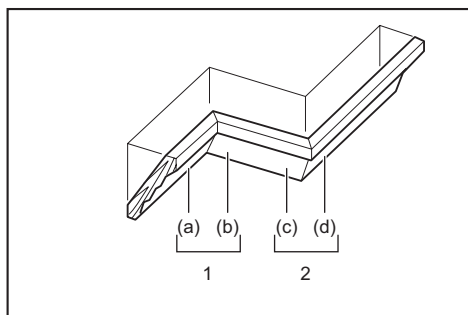
Pemotongan acuan mahkota dan cekung

Acuan mahkota dan cekung boleh dipotong pada gergaji miter majmuk dengan acuan diletakkan rata pada tapak putaran.

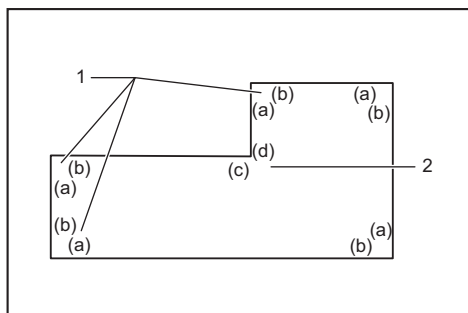
Terdapat dua jenis biasa acuan mahkota dan satu jenis acuan cekung; sudut dinding acuan mahkota 52/38°, sudut dinding acuan mahkota 45° dan sudut dinding acuan cekung 45°.

► **Rajah44:** 1. Acuan mahkota jenis 52/38° 2. Acuan mahkota jenis 45° 3. Acuan cekung jenis 45°

Terdapat acuan mahkota dan cekung yang dibuat agar sepadan dengan bucu "Dalam" 90° ((a) dan (b) dalam rajah) dan bucu "Luar" 90° ((c) dan (d) dalam rajah.)



1. Bucu dalam 2. Bucu luar



1. Bucu dalam 2. Bucu luar

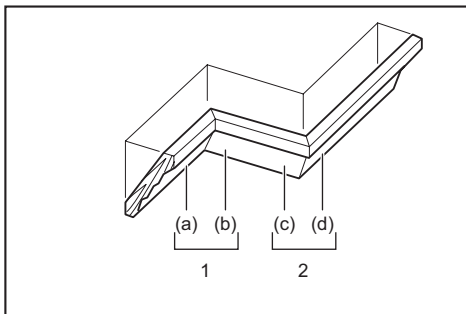
Pengukuran

Ukur lebar dinding dan selaraskan lebar bahan kerja mengikut lebar dinding. Sentiasa pastikan lebar pinggir sentuhan dinding bahan kerja sama dengan panjang dinding.

► **Rajah45:** 1. Bahan kerja 2. Lebar dinding 3. Lebar bahan kerja 4. Pinggir sentuhan dinding

Sentiasa gunakan beberapa keping untuk ujian potongan untuk memeriksa sudut gergaji. Apabila memotong acuan mahkota dan cangkuk, tetapkan sudut serong dan sudut miter seperti yang ditunjukkan dalam jadual (A) dan letakkan acuan pada permukaan atas tapak gergaji seperti yang ditunjukkan dalam jadual (B).

Dalam kes potongan serong kiri



1. Bucu dalam 2. Bucu luar

Jadual (A)

-	Kedudukan acuan dalam rajah	Sudut serong		Sudut miter	
		Jenis 52/38°	Jenis 45°	Jenis 52/38°	Jenis 45°
Untuk bucu dalam	(a)	Kiri 33.9°	Kiri 30°	Kanan 31.6°	Kanan 35.3°
	(b)			Kiri 31.6°	Kiri 35.3°
Untuk bucu luar	(c)			Kanan 31.6°	Kanan 35.3°
	(d)				

Jadual (B)

–	Kedudukan acuan dalam rajah	Pinggir acuan bertentangan pagar panduan	Kepingan siap
Untuk bucu dalam	(a)	Pinggir menyentuh siling harus bertentangan pagar panduan.	Kepingan siap akan berada di sebelah Kiri bilah gergaji bulat.
	(b)	Pinggir menyentuh dinding harus bertentangan pagar panduan.	
Untuk bucu luar	(c)	Pinggir menyentuh siling harus bertentangan pagar panduan.	Kepingan siap akan berada di sebelah Kanan bilah gergaji bulat.
	(d)	Pinggir menyentuh siling harus bertentangan pagar panduan.	

Contoh:

Dalam situasi potongan acuan mahkota jenis 52/38° untuk kedudukan (a) dalam rajah di atas:

- Sengetkan dan kukuhkan tetapan sudut serong ke 33.9° KIRI.
- Laraskan dan kukuhkan tetapan sudut serong ke 31.6° KANAN.
- Bentangkan acuan mahkota dengan permukaan belakang (tersembunyi) ke bawah pada tapak putaran dengan PINGGIR BERSENTUH SILING pada pagar panduan pada gergaji.
- Kepingan yang siap untuk digunakan akan sentiasa berada di sisi KIRI dari bilah gergaji bulat selepas potongan telah dibuat.

Memotong penyemperitan aluminium

Apabila mengukuhkan penyerempitan aluminium, gunakan blok penjarak atau potongan sisa seperti ditunjukkan dalam rajah untuk mengelakkan perubahan bentuk aluminium. Gunakan pelincir pemotongan semasa memotong penyerempitan aluminium untuk mengelakkan pembentukan bahan aluminium pada bilah gergaji bulat.

AMARAN: Jangan sekali-kali cuba memotong penyerempitan aluminium tebal atau bulat.

Penyerempitan aluminium tebal atau bulat boleh menjadi sukar untuk dikukuhkan dan bahan kerja boleh menjadi longgar semasa operasi memotong yang boleh menyebabkan kehilangan kawalan dan kecederaan diri yang serius.

- **Rajah46:** 1. Ragum 2. Blok penjarak 3. Pagar panduan 4. Penyerempitan aluminium 5. Blok penjarak

Memotong panjang berulang

Apabila memotong beberapa keping stok dengan panjang yang sama, mulai dari 225 mm hingga 350 mm, tarik plat set seperti ditunjukkan dalam rajah. Kukuhkan bahan kerja pada kedudukan untuk memotong. Luncurkan subtapak kanan supaya plat set selaras pada hujung bahan kerja. Kemudian kukuhkan subtapak dengan skru ibu jari.

- **Rajah47:** 1. Plat set 2. Skru ibu jari

Pemotongan alur

AMARAN: Jangan cuba untuk melakukan jenis pemotongan ini menggunakan bilah lebar atau bilah dado. Mencuba membuat potongan melengkung dengan bilah lebar atau bilah dado boleh menyebabkan hasil potongan yang tidak dijangka dan tolak keluar boleh menyebabkan kecederaan diri yang serius.

AMARAN: Pastikan untuk mengembalikan lengan penahan ke kedudukan asal apabila melakukan selain potongan alur. Mencuba membuat potongan dengan lengan pin penahan dalam kedudukan yang tidak betul boleh menyebabkan hasil potongan yang tidak dijangka dan tolak keluar boleh menyebabkan kecederaan diri yang serius.

Untuk potongan jenis dado, lakukan seperti berikut:

1. Laraskan kedudukan had bawah bagi bilah gergaji bulat menggunakan skru pelaras dan lengan penahan untuk menghadkan kedalaman pemotongan bilah gergaji bulat. Rujuk pada bahagian untuk lengan penahan.
2. Selepas melaraskan kedudukan had bawah bilah gergaji bulat, potong alur selari melintang lebar bahan kerja menggunakan potongan gelangсар (tolak).
► **Rajah48:** 1. Potong alur dengan bilah gergaji
3. Kemudian keluarkan bahan kerja di antara alur dengan pahat.

Alat membawa

Sebelum membawa alat, pastikan anda menanggalkan palam dan semua alat yang boleh digerakkan dikukuhkan. Sentiasa semak perkara berikut:

- Alat dicabut palam.
- Pembawa berada pada kedudukan sudut serong 0° dan dikukuhkan.
- Pembawa direndahkan dan dikunci.
- Pembawa itu meluncur ke arah anda sepenuhnya dan dikunci.
- Tapak putaran berada pada kedudukan sudut miter betul sepenuhnya dan selamat.

Bawa alat dengan memegang pemegang pembawa dan satu sisi tapak alur atau dengan memegang kedua-dua belah tapak alat.

- **Rajah49**

- **Rajah50**

⚠️AMARAN: Pin penahan untuk penaikan pembawa adalah untuk tujuan membawa, menyimpan, dan melaras sahaja dan bukan untuk mana-mana operasi pemotongan. Penggunaan pin penahan untuk operasi pemotongan boleh menyebabkan pergerakan yang tidak dijangka bagi bilah gergaji bulat yang menyebabkan tolak keluar dan kecederaan diri yang serius.

⚠️PERHATIAN: Sentiasa memastikan semua bahagian bergerak sebelum membawa alat itu. Jika bahagian alat bergerak atau gelangsar semasa dibawa, kehilangan kawalan atau imbangannya boleh berlaku dan menyebabkan kecederaan diri.

⚠️PERHATIAN: Pastikan penaikan pembawa dikunci sepenuhnya di bahagian bawahnya dengan pin penahan. Jika pin penahan tidak dipasang dengan betul, pembawa mungkin terpelanting secara tiba-tiba dan boleh menyebabkan kecederaan diri.

PENYELENGGARAAN

⚠️AMARAN: Sentiasa pastikan alat dimatikan dan dicabut palam sebelum cuba menjalankan pemeriksaan atau penyelenggaraan. Kegagalan menanggalkan palam dan mematikan alat boleh menyebabkan permulaan alat yang tidak disengajakan yang boleh menyebabkan kecederaan diri yang serius.

⚠️AMARAN: Sentiasa pastikan bilah gergaji tajam dan bersih untuk mendapatkan prestasi yang terbaik dan paling selamat. Mencuba memotong dengan bilah gergaji bulat yang tumpul dan/atau kotor boleh menyebabkan tolak keluar dan kecederaan diri yang serius.

NOTIS: Jangan gunakan petrol, benzin, pencair, alkohol atau bahan yang serupa. Ia boleh menyebabkan perubahan warna, bentuk atau keretakan.

Untuk mengekalkan KESELAMATAN dan KEBOLEHPERCAYAAN produk, pembaikan, apa-apa penyelenggaraan atau penyesuaian lain perlu dilakukan oleh Kilang atau Pusat Servis Makita yang Diiktiraf, sentiasa gunakan alat ganti Makita.

Melaraskan sudut pemotongan

Alat ini diselaraskan dengan teliti dan dijajarkan di kilang, tetapi pengendalian kasar mungkin menjejaskan penjarangan. Jika alat anda tidak dijajarkan dengan betul, lakukan yang berikut:

Sudut miter

1. Kunci pembawa di kedudukan direndahkan dengan pin penahan. Tolak pembawa ke arah pagar panduan sepenuhnya dan ketatkan skru ibu jari untuk mengukuhkan pembawa.

2. Tetapkan tapak putaran kepada kedudukan 0° menggunakan fungsi henti positif. (Biarkan ia sebegitu jika penunjuk tidak menunjukkan kepada 0° .)

3. Longgarkan bolt soket heksagon yang mengukuhkan pagar panduan dengan menggunakan kunci allen.
▶ **Rajah51:** 1. Pin penahan 2. Skru ibu jari 3. Bolt soket heksagon

4. Samakan tepi bilah gergaji dengan muka pagar panduan menggunakan peraturan segi tiga atau sesiku L. Kemudian ketatkan bolt soket heksagon pada pagar panduan mengikut urutan dari sebelah kanan.

▶ **Rajah52:** 1. Pagar panduan 2. Pembaris segi tiga

5. Jika penunjuk tidak menunjukkan 0° , longgarkan skru yang mengukuhkan penunjuk dan laraskannya supaya penunjuk menunjukkan 0° .

▶ **Rajah53:** 1. Skru 2. Penunjuk 3. Skala miter

Sudut serong

Sudut serong 0°

1. Kunci pembawa di kedudukan direndahkan dengan pin penahan. Tolak pembawa ke arah pagar panduan sepenuhnya dan ketatkan skru ibu jari untuk mengukuhkan pembawa.

2. Longgarkan tuil. Kemudian putar bolt pelaras 0° dua atau tiga revolusi lawan arah jam untuk menjongketkan bilah gergaji bulat ke kanan.

▶ **Rajah54:** 1. Tuil 2. 0° Bolt pelaras

3. Samakan dengan berhati-hati tepi bilah gergaji dengan permukaan atas tapak putaran menggunakan peraturan segi tiga, sesiku L, dll. dengan memutar bolt pelaras 0° mengikut arah jam. Kemudian ketatkan tuil untuk mengukuhkan sudut 0° yang telah anda tetapkan.

▶ **Rajah55:** 1. Pembaris segi tiga 2. Bilah gergaji 3. Permukaan atas tapak putaran

4. Jika penunjuk tidak menunjukkan 0° , longgarkan skru yang mengukuhkan penunjuk dan laraskan penunjuk itu supaya penunjuk menunjukkan 0° .

▶ **Rajah56:** 1. Skru 2. Penunjuk 3. Skala serong

Sudut serong 45°

NOTIS: Sebelum melaraskan sudut serong 45° , selesaikan pelarasan sudut serong 0° .

1. Ketatkan skru ibu jari untuk mengukuhkan pembawa.

2. Longgarkan tuil. Kemudian jongketkan sepenuhnya pembawa ke kiri.

▶ **Rajah57:** 1. Skru ibu jari 2. Tuil

3. Periksa sama ada penunjuk menunjukkan kedudukan 45° dalam skala sudut serong.

Jika penunjuk tidak menunjukkan kedudukan 45° , sejarkannya dengan kedudukan 45° dengan memutar bolt pelaras 45° .

▶ **Rajah58:** 1. Bolt pelaras 45°

Menggantikan berus karbon

Keluarkan dan periksa berus karbon dengan kerap. Gantikan berus karbon apabila telah haus sehingga panjang 3 mm (1/8"). Pastikan berus karbon bersih dan bebas tergelincir ke dalam pemegang. Kedua-dua berus karbon harus diganti pada masa yang sama. Gunakan hanya berus karbon yang serupa.

► Rajah59

Gunakan pemutar skru untuk mengeluarkan penutup pemegang berus. Keluarkan berus karbon yang telah haus, masukkan berus baharu dan kukuhkan penutup pemegang berus.

► Rajah60: 1. Penutup pemegang berus

Selepas menggantikan berus, palamkan alat dan berus yang ditukar dengan menjalankan alat tanpa beban selama 10 minit. Kemudian, periksa alat semasa berjalan dan operasi brek elektrik semasa melepaskan pemacu suis. Jika brek elektrik tidak berfungsi dengan betul, bawa alat untuk dibaiki oleh pusat servis Makita.

Selepas menggunakan

Selepas digunakan, lap serpihan dan habuk yang melekat pada alat dengan kain atau sejenisnya. Pastikan pengadang bilah bersih mengikut bahagian yang diterangkan sebelum ini bertajuk "Pengawal bilah". Lincirkan bahagian geser dengan minyak mesin untuk mencegah karat.

AKSESORI PILIHAN

⚠AMARAN: Aksesori atau alat tambahan Makita ini adalah disyorkan untuk digunakan dengan alat Makita anda yang dinyatakan dalam manual ini. Penggunaan mana-mana aksesori atau alat tambahan lain boleh mengakibatkan kecederaan diri yang serius.

⚠AMARAN: Hanya gunakan aksesori atau alat tambahan Makita untuk tujuan yang dinyatakannya. Penyalahgunaan aksesori atau alat tambahan lain boleh mengakibatkan kecederaan diri yang serius.

Jika anda memerlukan sebarang bantuan untuk maklumat lebih lanjut mengenai aksesori ini, tanya Pusat Perkhidmatan Makita tempatan anda.

- Bilah gergaji Keluli & Berhujung Karbida
- Ragum menegak
- Beg habuk
- Peraturan segi tiga
- Kunci allen
- Set berdiri

NOTA: Beberapa item dalam senarai mungkin disertakan dalam pakej alat sebagai aksesori standard. Item mungkin berbeza mengikut negara.

THÔNG SỐ KỸ THUẬT

Kiểu máy:		LS1110F
Đường kính lưỡi cưa	Các quốc gia Châu Âu	260 mm
	Các quốc gia khác ngoài Châu Âu	255 mm - 260 mm
Đường kính lỗ	Các quốc gia Châu Âu	30 mm
	Các quốc gia khác ngoài Châu Âu	25,4 mm
Độ dày rãnh cưa tối đa của lưỡi cưa		3,2 mm
Góc vát chéo tối đa		Trái 47°, Phải 47°
Góc xiên tối đa		Trái 47°, Phải 2°
Tốc độ không tải (RPM)		4.500 min ⁻¹
Kích thước (D x R x C)		745 mm x 497 mm x 565 mm
Khối lượng tịnh		16,4 kg
Cấp an toàn		□/II












- Do chương trình nghiên cứu và phát triển liên tục của chúng tôi nên các thông số kỹ thuật trong đây có thể thay đổi mà không cần thông báo trước.
- Các thông số kỹ thuật có thể thay đổi tùy theo từng quốc gia.
- Khối lượng tùy theo Quy trình EPTA tháng 01/2014

Công suất cắt (C x R) với lưỡi cưa ø 260 mm

Góc vát chéo	Góc xiên		
	45° (trái)	0°	2° (phải)
0°	50 mm x 310 mm	91 mm x 310 mm	85 mm x 310 mm
45° (trái và phải)	50 mm x 220 mm	91 mm x 220 mm	-

Ký hiệu

Phần dưới đây cho biết các ký hiệu có thể được dùng cho thiết bị. Đảm bảo rằng bạn hiểu rõ ý nghĩa của các ký hiệu này trước khi sử dụng.

	Đọc tài liệu hướng dẫn.
	CÁCH ĐIỆN CẤP 2
 	Mang kính an toàn.
 	Để tránh thương tích do các mảnh vụn bay, hãy giữ đầu cưa hướng xuống, sau khi cắt xong, ấn giữ đầu cưa xuống cho đến khi lưỡi cưa đã dừng hoàn toàn.
  	Khi thực hiện cắt trượt, trước tiên kéo hoàn toàn bàn trượt và ấn tay cầm xuống, rồi đẩy bàn trượt về phía thanh dẫn.
	Không đặt bàn tay hoặc ngón tay gần lưỡi cưa.
	Điều chỉnh thanh trượt khỏi lưỡi cưa và phần bảo vệ lưỡi cưa đúng cách.
	Không nhìn thẳng vào đèn đang hoạt động.



Chỉ dành cho các quốc gia EU

Do có các thành phần nguy hiểm bên trong thiết bị, thiết bị điện và điện tử đã qua sử dụng nên có thể có tác động không tốt đến môi trường và sức khỏe con người.

Không vứt bỏ thiết bị điện và điện tử cùng với rác thải sinh hoạt!

Theo Chỉ thị của Châu Âu về thiết bị điện và điện tử thải bỏ và sự thích ứng của nó với luật pháp quốc gia, thiết bị điện và điện tử đã qua sử dụng phải được thu gom riêng và chuyển đến một điểm thu gom rác thải đô thị riêng biệt, hoạt động theo các quy định về bảo vệ môi trường.

Điều này được biểu thị bằng biểu tượng thùng rác có bánh xe gạch chéo được đặt trên thiết bị.

Mục đích sử dụng

Dụng cụ này được thiết kế để cắt thẳng và cắt vát góc chính xác cho vật liệu gỗ. Với các lưỡi cưa thích hợp, máy có thể cưa được cả nhôm. Để biết chi tiết, hãy tham khảo theo phần **VẬN HÀNH**.

Nguồn cấp điện

Dụng cụ này chỉ được nối với nguồn cấp điện có điện áp giống như đã chỉ ra trên biển tên và chỉ có thể được vận hành trên nguồn điện AC đơn pha. Chúng được cách điện hai lớp và do đó cũng có thể được sử dụng từ các ổ cắm điện không có dây tiếp đất.

CẢNH BÁO AN TOÀN

Cảnh báo an toàn chung dành cho dụng cụ máy

⚠ CẢNH BÁO Vui lòng đọc tất cả các cảnh báo an toàn, hướng dẫn, minh họa và thông số kỹ thuật đi kèm với dụng cụ máy này. Việc không tuân theo tất cả các hướng dẫn được liệt kê dưới đây có thể dẫn đến điện giật, hỏa hoạn và/hoặc thương tích nghiêm trọng.

Lưu giữ tất cả cảnh báo và hướng dẫn để tham khảo sau này.

Thuật ngữ “dụng cụ máy” trong các cảnh báo đề cập đến dụng cụ máy (có dây) được vận hành bằng nguồn điện chính hoặc dụng cụ máy (không dây) được vận hành bằng pin của bạn.

An toàn tại nơi làm việc

- Giữ nơi làm việc sạch sẽ và có đủ ánh sáng.** Nơi làm việc bừa bộn hoặc tối thường dễ gây ra tai nạn.
- Không vận hành dụng cụ máy trong môi trường cháy nổ, ví dụ như môi trường có sự hiện diện của các chất lỏng, khí hoặc bụi dễ cháy.** Các dụng cụ máy tạo tia lửa điện có thể làm bụi hoặc khí bốc cháy.
- Giữ trẻ em và người ngoài tránh xa nơi làm việc khi đang vận hành dụng cụ máy.** Sự xao lãng có thể khiến bạn mất khả năng kiểm soát.

An toàn về Điện

- Phích cắm của dụng cụ máy phải khớp với ổ cắm.** Không được sửa đổi phích cắm theo bất kỳ cách nào. Không sử dụng bất kỳ phích chuyển đổi nào với các dụng cụ máy được nối đất (tiếp đất). Các phích cắm còn nguyên vẹn và ổ cắm phù hợp sẽ giảm nguy cơ điện giật.
- Tránh để cơ thể tiếp xúc với các bề mặt nóng đất hoặc tiếp đất như đường ống, bộ tản nhiệt, bếp ga và tủ lạnh.** Nguy cơ bị điện giật sẽ tăng lên nếu cơ thể bạn được nối đất hoặc tiếp đất.
- Không để dụng cụ máy tiếp xúc với mưa hoặc trong điều kiện ẩm ướt.** Nước lọt vào dụng cụ máy sẽ làm tăng nguy cơ điện giật.
- Không lạm dụng dây điện.** Không được phép sử dụng dây để mang, kéo hoặc tháo phích cắm dụng cụ máy. Giữ dây tránh xa nguồn nhiệt, dầu, các mép sắc hoặc các bộ phận chuyển động. Dây bị hỏng hoặc bị rối sẽ làm tăng nguy cơ điện giật.
- Khi vận hành dụng cụ máy ngoài trời, hãy sử dụng dây kéo dài phù hợp cho việc sử dụng ngoài trời.** Việc dùng dây phù hợp cho việc sử dụng ngoài trời sẽ giảm nguy cơ điện giật.
- Nếu bắt buộc phải vận hành dụng cụ máy ở nơi ẩm ướt, hãy sử dụng nguồn cấp điện được bảo vệ bằng thiết bị ngắt dòng điện rò (RCD).** Việc sử dụng RCD sẽ làm giảm nguy cơ điện giật.
- Chúng tôi luôn khuyên bạn sử dụng nguồn cấp điện qua thiết bị RCD có thể ngắt dòng điện rò định mức 30 mA hoặc thấp hơn.**

- Các dụng cụ máy có thể tạo ra từ trường điện (EMF) có hại cho người dùng.** Tuy nhiên, người dùng máy trợ tim và những thiết bị y tế tương tự khác nên liên hệ với nhà sản xuất thiết bị và/hoặc bác sĩ để được tư vấn trước khi vận hành dụng cụ này.
- Không chạm vào đầu cắm điện bằng tay ướt.**
- Nếu dây bị hỏng, hãy nhờ nhà sản xuất hoặc đại lý thay dây mới để tránh nguy hiểm về an toàn.**

An toàn Cá nhân

- Luôn tỉnh táo, quan sát những việc bạn đang làm và sử dụng những phán đoán theo kinh nghiệm khi vận hành dụng cụ máy.** Không sử dụng dụng cụ máy khi bạn đang mệt mỏi hoặc chịu ảnh hưởng của ma túy, rượu hay thuốc. Chỉ một khoảnh khắc không tập trung khi đang vận hành dụng cụ máy cũng có thể dẫn đến thương tích cá nhân nghiêm trọng.
- Sử dụng thiết bị bảo hộ cá nhân.** Luôn đeo thiết bị bảo vệ mắt. Các thiết bị bảo hộ như mặt nạ chống bụi, giày an toàn chống trượt, mũ bảo hộ hay thiết bị bảo vệ thính giác được sử dụng trong các điều kiện thích hợp sẽ giúp giảm thương tích cá nhân.
- Tránh vô tình khởi động dụng cụ máy.** Đảm bảo công tắc ở vị trí off (tắt) trước khi nối nguồn điện và/hoặc bộ pin, cầm hoặc di chuyển dụng cụ máy. Việc di chuyển dụng cụ máy khi đang đặt ngón tay ở vị trí công tắc hoặc cấp điện cho dụng cụ máy đang bật thường dễ gây ra tai nạn.
- Tháo tất cả các khóa hoặc cờ lê điều chỉnh trước khi bật dụng cụ máy.** Việc cờ lê hoặc khóa vẫn còn gắn vào bộ phận quay của dụng cụ máy có thể dẫn đến thương tích cá nhân.
- Không vội quá cao.** Luôn giữ thăng bằng tốt và có chỗ để chân phù hợp. Điều này cho phép điều khiển dụng cụ máy tốt hơn trong những tình huống bất ngờ.
- Ăn mặc phù hợp.** Không mặc quần áo rộng hay đeo đồ trang sức. Giữ tóc và quần áo tránh xa các bộ phận chuyển động. Quần áo rộng, đồ trang sức hay tóc dài có thể mắc vào các bộ phận chuyển động.
- Nếu các thiết bị được cung cấp để kết nối các thiết bị thu gom và hút bụi, hãy đảm bảo chúng được kết nối và sử dụng hợp lý.** Việc sử dụng thiết bị thu gom bụi có thể làm giảm những mối nguy hiểm liên quan đến bụi.
- Không vì quen thuộc do thường xuyên sử dụng các dụng cụ mà cho phép bạn trở nên tự mãn và bỏ qua các nguyên tắc an toàn dụng cụ.** Một hành động bất cẩn có thể gây ra thương tích nghiêm trọng trong một phần của một giây.
- Luôn luôn mang kính bảo hộ để bảo vệ mắt khỏi bị thương khi đang sử dụng các dụng cụ máy.** Kính bảo hộ phải tuân thủ ANSI Z87.1 ở Mỹ, EN 166 ở Châu Âu, hoặc AS/NZS 1336 ở Úc/New Zealand. Tại Úc/New Zealand, theo luật pháp, bạn cũng phải mang mặt nạ che mặt để bảo vệ mặt.



Trách nhiệm của chủ lao động là bắt buộc người vận hành dụng cụ và những người khác trong khu vực làm việc cạnh đó phải sử dụng các thiết bị bảo hộ an toàn thích hợp.

Sử dụng và bảo quản dụng cụ máy

- Không dùng lực đối với dụng cụ máy. Sử dụng đúng dụng cụ máy cho công việc của bạn.** Sử dụng đúng dụng cụ máy sẽ giúp thực hiện công việc tốt hơn và an toàn hơn theo giá trị định mức được thiết kế của dụng cụ máy đó.
- Không sử dụng dụng cụ máy nếu công tắc không bật và tắt được dụng cụ máy đó.** Mọi dụng cụ máy không thể điều khiển được bằng công tắc đều rất nguy hiểm và phải được sửa chữa.
- Rút phích cắm ra khỏi nguồn điện và/hoặc tháo kết nối bộ pin khỏi dụng cụ máy, nếu có thể tháo rời trước khi thực hiện bất kỳ công việc điều chỉnh, thay đổi phụ tùng hay cắt giữ dụng cụ máy nào.** Những biện pháp an toàn phòng ngừa này sẽ giảm nguy cơ vô tình khởi động dụng cụ máy.
- Cắt giữ các dụng cụ máy không sử dụng ngoài tầm với của trẻ em và không cho bất kỳ người nào không có hiểu biết về dụng cụ máy hoặc các hướng dẫn này vận hành dụng cụ máy.** Dụng cụ máy sẽ rất nguy hiểm nếu được sử dụng bởi những người dùng chưa qua đào tạo.
- Bảo dưỡng dụng cụ máy và các phụ kiện. Kiểm tra tình trạng lệch trục hoặc bó kẹt của các bộ phận chuyển động, hiện tượng nứt vỡ của các bộ phận và mọi tình trạng khác mà có thể ảnh hưởng đến hoạt động của dụng cụ máy. Nếu có hỏng hóc, hãy sửa chữa dụng cụ máy trước khi sử dụng.** Nhiều tai nạn xảy ra là do không bảo quản tốt dụng cụ máy.
- Luôn giữ cho dụng cụ cắt được sắc bén và sạch sẽ.** Những dụng cụ cắt được bảo quản tốt có mép cắt sắc sẽ ít bị kẹt hơn và dễ điều khiển hơn.
- Sử dụng dụng cụ máy, phụ tùng và đầu dụng cụ cắt, v.v... theo các hướng dẫn này, có tính đến điều kiện làm việc và công việc được thực hiện.** Việc sử dụng dụng cụ máy cho các công việc khác với công việc dự định có thể gây nguy hiểm.
- Giữ tay cầm và bề mặt tay cầm khô, sạch, không dính dầu và mỡ.** Tay cầm trơn trượt và bề mặt tay cầm không cho phép xử lý an toàn và kiểm soát dụng cụ trong các tình huống bất ngờ.

- Khí sử dụng dụng cụ, không được đi gang tay lao động bằng vải, có thể bị vướng.** Việc gang tay lao động bằng vải vướng vào các bộ phận chuyển động có thể gây ra thương tích cá nhân.

Bảo dưỡng

- Đề nhân viên sửa chữa đủ trình độ bảo dưỡng dụng cụ máy của bạn và chỉ sử dụng các bộ phận thay thế đồng nhất.** Việc này sẽ đảm bảo duy trì được độ an toàn của dụng cụ máy.
- Tuân theo hướng dẫn dành cho việc bôi trơn và thay phụ tùng.**

Hướng dẫn an toàn cho cưa đa góc

- Cưa đa góc được sử dụng để cắt các sản phẩm gỗ hay giống như gỗ, chúng không thể sử dụng được với đĩa cắt nhám để cắt các vật liệu chưa sắt như thanh, que, đinh tán, v.v...** Bụi nhám sẽ làm cho các bộ phận chuyển động như phần bảo vệ bên dưới bị kẹt. Tia lửa từ quá trình cắt nhám sẽ đốt cháy phần bảo vệ bên dưới, gây rách cưa và các bộ phận bằng nhựa khác.
 - Sử dụng kẹp để giữ chặt phôi gia công bất cứ khi nào có thể. Nếu giữ phôi gia công bằng tay, bạn phải luôn giữ tay của mình cách hai cạnh của lưỡi cưa ít nhất 100mm. Không sử dụng cưa này để cắt các vật quá nhỏ so với kẹp cố định hoặc phải giữ bằng tay.** Nếu tay của bạn được đặt quá gần lưỡi cưa thì sẽ tăng nguy cơ chấn thương do bị tiếp xúc với lưỡi cưa.
 - Phôi gia công phải được cố định và kẹp hoặc giữ chắc vào cả thanh chặn và bàn. Không gắn phôi gia công vào lưỡi cưa hoặc cắt dùng “tay tự do” trong bất kỳ trường hợp nào.** Phôi gia công không được giữ hoặc di động có thể bị văng ra ở tốc độ cao, gây chấn thương.
 - Đẩy cưa qua phôi gia công. Không kéo cưa qua phôi gia công. Để thực hiện cắt, nâng đầu cưa và kéo nó ra phía trên phôi gia công nhưng chưa cắt, khởi động động cơ, ấn đầu cưa xuống và đẩy cưa qua phôi gia công.** Cắt trên hành trình kéo có thể làm lưỡi cưa chệch lên trên đầu của phôi gia công và làm văng mảnh lưỡi cưa về hướng người điều khiển.
 - Không bao giờ đặt chéo tay của bạn lên đường định cắt kể cả phía trước hay sau lưỡi cưa.** Việc giữ phôi gia công “chéo tay” tức là giữ phôi gia công ở phía bên phải của lưỡi cưa bằng tay trái của bạn hoặc ngược lại là rất nguy hiểm.
- Hình 1
- Không vớ ra đằng sau thanh chặn bằng tay ở khoảng cách gần hơn 100 mm từ cả hai cạnh của lưỡi cưa, để loại bỏ phế liệu, hoặc vì bất cứ nguyên nhân nào khác khi lưỡi cưa đang quay.** Bạn có thể sẽ sợ ý không nhận ra lưỡi cưa đang quay gần với tay của bạn, và có thể bị thương tổn nghiêm trọng.

7. **Kiểm tra phôi gia công của bạn trước khi cắt.** Nếu phôi gia công bị uốn hoặc bị cong vênh, hãy kẹp nó với mặt bị cong hướng về phía thanh chắn. Luôn chắc chắn không có khoảng cách giữa phôi gia công, thanh chắn và bàn dọc theo đường cắt. Phôi gia công bị uốn cong hoặc bị cong vênh có thể bị xoay hoặc xô dịch và có thể gây bị kẹt lưới cửa đang quay trong khi cắt. Không được có đinh ốc hoặc ngoại vật trong phôi gia công.
 8. **Không được sử dụng cửa cho đến khi bàn đã được dọn sạch dụng cụ, phế liệu gỗ, v.v... trừ phôi gia công.** Mảnh vụn nhỏ hoặc các miếng gỗ bị rơi ra hoặc các vật thể khác khi tiếp xúc với lưới đang quay có thể bị văng ra với tốc độ cao.
 9. **Chỉ cắt một phôi gia công một lần.** Nhiều phôi gia công xếp chồng lên nhau sẽ không được kẹp chặt thỏa đáng và có thể gây bị kẹt lưới cửa hoặc bị xô dịch trong quá trình cắt.
 10. **Hãy đảm bảo máy cửa đa góc được gắn hoặc đặt trên một mặt gia công phẳng, chắc chắn trước khi sử dụng.** Bề mặt gia công phẳng và chắc sẽ làm giảm nguy cơ máy cửa đa góc hoạt động không ổn định.
 11. **Lên kế hoạch cho công việc của bạn.** Mỗi khi bạn thay đổi cài đặt góc xiên hoặc góc vát, hãy chắc chắn rằng thanh chắn có thể điều chỉnh được thiết lập chính xác để giữ phôi gia công và không gây cản trở cho lưới cửa hoặc hệ thống bảo vệ. Không cần bật dụng cụ thành "BẬT" và không để phôi gia công nào trên bàn, hãy di chuyển lưới cửa theo một nhát cắt mô phỏng hoàn chỉnh để đảm bảo rằng không có cản trở hoặc nguy hiểm do cắt vào thanh chắn.
 12. **Cung cấp các dụng cụ hỗ trợ cần thiết như bàn nối thêm, giá cửa, v.v... cho phôi gia công rộng hoặc dài hơn mặt bàn.** Phôi gia công dài hoặc rộng hơn bàn cửa đa góc có thể bị lật nếu không được giữ cố định. Nếu mảnh cắt hoặc phôi gia công bị lật, nó có thể sẽ nhấn phần bảo vệ bên dưới hoặc bị lưới cửa đang quay làm văng ra.
 13. **Không được sử dụng người khác hỗ trợ để thay thế cho bàn nối thêm hoặc giá đỡ bổ sung.** Giá đỡ phôi gia công không vững chắc có thể dẫn đến việc lưới cửa bị bó kẹt, hoặc phôi gia công bị xô dịch trong quá trình cắt sẽ kéo bạn hoặc người trợ giúp bị lôi về hướng lưới cửa đang quay.
 14. **Không để mảnh cắt bị kẹt hoặc bị ấn về phía lưới cửa đang quay bằng bất cứ phương tiện nào.** Nếu bị giới hạn, ví dụ như sử dụng thiết bị chặn chiều dài, mảnh cắt có thể bị chêm lại và văng mạnh ra ngoài.
 15. **Luôn sử dụng kẹp hoặc dụng cụ cố định được thiết kế để giữ các vật liệu tròn như thanh tròn hoặc ống được chắc chắn.** Thanh tròn có xu hướng cuộn vào khi cắt, gây ra tình trạng lưới cửa "cắn" và kéo vật đang gia công với tay bạn vào lưới cửa.
 16. **Hãy để lưới cửa đạt đến tốc độ hoàn toàn trước khi tiếp xúc với phôi gia công.** Điều này sẽ làm giảm nguy cơ vật ra công bị văng ra.
 17. **Nếu phôi gia công hoặc lưới cửa bị kẹt, hãy tắt máy cửa đa góc.** Chờ cho tất cả bộ phận chuyển động dừng hẳn và rút phích cắm khỏi nguồn điện và/hoặc tháo hộp pin ra. Sau đó gỡ các vật liệu bị kẹt ra. Việc tiếp tục cắt với phôi gia công bị kẹt có thể gây ra mất kiểm soát hoặc gây hư hỏng máy cửa đa góc.
 18. **Sau khi hoàn tất cắt, nhả công tắc, hạ đầu máy cửa xuống và chờ cho lưới cửa dừng hẳn trước khi lấy mảnh cắt ra.** Với tay gần với lưới cửa đang đi xuống rất nguy hiểm.
 19. **Giữ tay cầm chắc khi thực hiện nhát cắt chừa hoàn tất hoặc khi nhả công tắc trước khi đầu cửa nằm hoàn toàn ở vị trí hạ xuống.** Hành động hãm cửa lại có thể khiến đầu cửa bị kéo xuống đột ngột, gây ra nguy cơ chấn thương.
 20. **Chỉ sử dụng lưới cửa có đường kính được đánh dấu trên dụng cụ hoặc được chỉ định trong hướng dẫn.** Sử dụng lưới cửa có kích thước không đúng có thể ảnh hưởng đến phần bảo vệ thích hợp của lưới cửa hoặc hoạt động của phần bảo vệ, có thể dẫn đến thương tích nghiêm trọng.
 21. **Chỉ sử dụng lưới cửa có ghi tốc độ bằng hoặc cao hơn tốc độ ghi trên dụng cụ.**
 22. **Không sử dụng cửa để cắt vật liệu khác ngoài các vật liệu được chỉ định.**
 23. **(Chỉ đối với các quốc gia Châu Âu)**
Luôn sử dụng lưới cửa tuân thủ tiêu EN847-1, nếu được dùng cho vật liệu gỗ và các vật liệu tương tự.
- Hướng dẫn bảo sung**
1. **Không cho trẻ em vào xưởng làm việc bằng cách dùng khóa móc.**
 2. **Không bao giờ đứng lên dụng cụ.** Chấn thương nghiêm trọng có thể xảy ra nếu dụng cụ bị lật nghiêng hoặc vô tình đứng phải với dụng cụ cắt.
 3. **Không bao giờ để dụng cụ chạy mà không có người giám sát.** Hãy tắt nguồn. Không rời dụng cụ cho đến khi nó dừng hẳn.
 4. **Không vận hành máy cửa mà không có phần bảo vệ đặt đúng vị trí.** Kiểm tra phần bảo vệ lưới cửa xem đã đóng đúng chưa trước mỗi lần sử dụng. Không vận hành máy cửa nếu phần bảo vệ lưới cửa không di chuyển tự do và đóng ngay tức khắc. Không được phép kẹp chặt hoặc buộc phần bảo vệ lưới cửa ở vị trí mở.
 5. **Giữ tay tránh xa khỏi đường đi của lưới cửa.** Tránh tiếp xúc với bất kỳ lưới cửa nào đang đi xuống. Nó có thể văng gây ra các thương tích nghiêm trọng.
 6. **Để giảm nguy cơ chấn thương, hãy đưa bàn trượt về lại hoàn toàn phía sau sau mỗi thao tác cắt ngang.**
 7. **Luôn cố định an toàn tất cả các phần chuyển động trước khi di chuyển dụng cụ.**
 8. **Chốt chặn hoặc cần chặn dùng để khóa đầu cửa chỉ dùng cho việc di chuyển và cắt giữ chứ không dùng cho bất kỳ thao tác cắt nào.**

9. Kiểm tra lưới cửa cẩn thận xem có bị nứt hoặc hư hỏng gì không trước khi vận hành. Thay thế lưới cửa bị nứt hoặc hư hỏng ngay lập tức. Chất dính và nhựa gỗ bám chặt trên lưới cửa sẽ làm cửa bị chậm và tăng khả năng xảy ra hiện tượng bật ngược. Giữ lưới cửa sạch bằng cách trước tiên tháo lưới cửa ra khỏi dụng cụ sau đó lau sạch lưới cửa bằng chất tẩy chất dính và nhựa, nước nóng hoặc dầu hỏa. Tuyệt đối không sử dụng xăng để làm sạch lưới cửa.
10. Khi thực hiện cắt trượt, hiện tượng **BẬT NGƯỢC** có thể xảy ra. **BẬT NGƯỢC** xảy ra khi lưới cửa bị bó kẹt vào phôi gia công trong quá trình cắt và lưới cửa bị bật nhanh về phía người vận hành. Tình huống này có thể gây ra mất kiểm soát hoặc chấn thương cá nhân nghiêm trọng. Nếu lưới cửa bắt đầu bị bó kẹt trong quá trình cắt, không được tiếp tục cắt và nhả công tắc ngay lập tức.
11. Chỉ sử dụng các vành được chỉ định cho dụng cụ này.
12. Cẩn thận để không làm hư hỏng trục, vành (đặc biệt là bề mặt lắp ráp) hay bu lông. Làm hỏng các bộ phận này có thể dẫn đến vỡ lưới cửa.
13. Đảm bảo rằng để xoay được cố định chắc chắn để không di chuyển trong quá trình vận hành. Sử dụng các lỗ hồng trong đế để gắn chặt máy cửa vào một bề gia công hoặc bàn gia công vững chắc. **KHÔNG BAO GIỜ** sử dụng dụng cụ ở vị trí mà người điều khiển cảm thấy khó thao tác.
14. Đảm bảo khoá trục được nhả ra trước khi bật công tắc.
15. Đảm bảo lưới cửa không tiếp xúc với đế xoay ở vị trí thấp nhất.
16. Giữ thật chắc tay cầm. Cần biết rằng cửa sẽ di chuyển lên hoặc xuống một chút trong quá trình khởi động và dừng lại.
17. Phải đảm bảo rằng lưới cửa không tiếp xúc với phôi gia công trước khi bật công tắc lên.
18. Trước khi dùng dụng cụ này trên phôi gia công thực, hãy để dụng cụ chạy trong ít phút. Theo dõi tình trạng rung hoặc lắc có thể phát hiện việc lắp đặt kém hoặc lưới cửa chưa cân bằng.
19. ngừng vận hành ngay lập tức nếu bạn chú ý thấy bất cứ điều gì bất thường.
20. Không cố gắng khóa cần khởi động vào vị trí “**BẬT**”.
21. Luôn sử dụng các phụ tùng được khuyến dùng trong tài liệu hướng dẫn này. Sử dụng các phụ tùng không phù hợp như đá mài có thể gây ra thương tích.
22. Một số vật liệu có thể chứa hóa chất độc hại. Phải cẩn trọng tránh hít phải bụi và để tiếp xúc với da. Tuân theo dữ liệu an toàn của nhà cung cấp vật liệu.

Các quy định an toàn bổ sung đối với đèn đang hoạt động

1. Đứng nhìn thẳng trực tiếp vào đèn hoặc nguồn sáng.

LƯU GIỮ CÁC HƯỚNG DẪN NÀY.

⚠ CẢNH BÁO: KHÔNG vì đã thoải mái hay quen thuộc với sản phẩm (có được do sử dụng nhiều lần) mà không tuân thủ nghiêm ngặt các quy định về an toàn dành cho sản phẩm này. **VIỆC DÙNG SAI** hoặc không tuân theo các quy định về an toàn được nêu trong tài liệu hướng dẫn này có thể dẫn đến thương tích cá nhân nghiêm trọng.

MÔ TẢ CÁC BỘ PHẬN

► Hình 2

1	Vít điều chỉnh (trong trường hợp vị trí giới hạn dưới)	2	Tay chặn	3	Túi chứa bụi	4	Vít cố tai vận (đối với bàn trượt)
5	Kim chỉ (đối với góc xiên)	6	Thang đo góc xiên	7	Cực trượt	8	Bàn kẹp đứng
9	Thanh trượt	10	Bu lông điều chỉnh 0° (đối với góc xiên)	11	Thanh dẫn	12	Bộ phụ
13	Đế xoay	14	Thang đo góc vát	15	Kim chỉ (trong trường hợp góc vát chéo)	16	Rãnh cửa
17	Bu lông điều chỉnh (trong trường hợp đế xoay)	18	Cần khóa (trong trường hợp đế xoay)	19	Tay cầm (trong trường hợp đế xoay)	20	Chụp gom bụi
21	Phần bảo vệ lưới cửa	22	Đèn	23	Tay cầm (để vận hành)	24	Cần khởi động công tắc
25	Lỗ cho khóa móc	26	Nút nhả khóa	27	Tay xách	-	-

► Hình 3

1	Công tắc đèn	2	Khóa trục	3	Bu-lông điều chỉnh (trong trường hợp công suất cắt tối đa)	4	Chốt chặn (để cố định độ cao bàn trượt)
5	Tám gai	6	Cờ lê lục giác	7	Bu lông điều chỉnh 45° (đối với góc xiên)	8	Cần gạt (đối với góc xiên)
9	Nút nhà (đối với góc xiên)	-	-	-	-	-	-

LẮP RÁP

Lắp đặt bàn

⚠ CẢNH BÁO: Đảm bảo rằng dụng cụ không di chuyển trên bề mặt đỡ. Việc di chuyển máy cắt trên bề mặt đỡ khi đang cắt có thể dẫn đến mất điều khiển và thương tích cá nhân nghiêm trọng.

1. Gắn đế vào một bề mặt phẳng và cố định, bằng cách vít bu-lông lên đó. Điều này sẽ giúp dụng cụ không bị lật và tránh thương tích cá nhân.

► **Hình 4:** 1. Bu-lông 2. Ốp lấp ghép

2. Vận bu-lông điều chỉnh theo chiều kim đồng hồ hoặc ngược chiều kim đồng hồ để nó tiếp xúc với mặt sàn để giữ cố định dụng cụ.

► **Hình 5:** 1. Bu-lông điều chỉnh

MÔ TẢ CHỨC NĂNG

⚠ CẢNH BÁO: Luôn bảo đảm rằng dụng cụ được tắt điện và rút phích cắm trước khi điều chỉnh hoặc kiểm tra chức năng của dụng cụ. Không tắt và rút phích cắm điện của dụng cụ có thể dẫn đến chấn thương cá nhân nghiêm trọng do vô tình khởi động máy.

Khóa tay cầm

⚠ THẬN TRỌNG: Luôn giữ tay cầm khi nhà chốt chặn. Nếu không thì tay cầm sẽ nảy lên và có thể dẫn đến thương tích cá nhân.

Khi dụng cụ được vận chuyển, khóa tay cầm vào vị trí bên dưới bằng chốt chặn. Để mở khóa tay cầm, kéo chốt chặn trong khi hơi hạ thấp tay cầm.

► **Hình 6:** 1. Chốt chặn

Khóa trượt

Để mở chuyển động trượt của bàn trượt, nới lỏng vít cố tai vận trên tay gạt. Để khóa chuyển động trượt của bàn trượt, di chuyển bàn trượt đến vị trí mong muốn, sau đó vận chặt vít cố tai vận.

► **Hình 7:** 1. Vít cố tai vận 2. Tay gạt

Phần bảo vệ lưới cửa

⚠ CẢNH BÁO: Không làm hỏng hoặc tháo phần bảo vệ lưới cửa hoặc lò xo gắn vào phần bảo vệ. Lưới cửa đĩa lộ ra do bảo vệ không tốt có thể dẫn đến thương tích cá nhân nghiêm trọng trong khi vận hành.

⚠ CẢNH BÁO: Không được phép sử dụng dụng cụ nếu phần bảo vệ lưới cửa hoặc lò xo bị hỏng, lỏng, hoặc bị tháo ra. Vận hành dụng cụ có phần bảo vệ bị hỏng, lỏng hoặc bị tháo ra có thể dẫn đến thương tích cá nhân nghiêm trọng.

⚠ THẬN TRỌNG: Luôn duy trì phần bảo vệ lưới trong điều kiện tốt để vận hành an toàn. ngừng vận hành ngay nếu phần bảo vệ lưới cửa có bất thường bất kỳ. Kiểm tra để đảm bảo rằng lò xo chịu tải trở lại trạng thái bảo vệ.

Khi hạ thấp tay cầm, phần bảo vệ lưới cửa sẽ tự động nâng lên. Phần bảo vệ chịu tải bằng lò xo nên nó sẽ quay trở về vị trí ban đầu khi việc cắt hoàn thành và tay cầm được nâng lên.

► **Hình 8:** 1. Phần bảo vệ lưới cửa

Vệ sinh

Nếu phần bảo vệ lưới cửa trong suốt này bị bẩn hoặc mùn cửa bám vào phần bảo vệ lưới trong suốt khiến lưới cửa đĩa và/hoặc phối gia công không còn dễ nhìn thấy, hãy rút phích cắm điện dụng cụ và vệ sinh phần bảo vệ này cẩn thận bằng vải ẩm. Không sử dụng dụng cụ mài hoặc bất kỳ chất làm sạch có dầu lên phần bảo vệ bằng nhựa vì việc này có thể làm hỏng phần bảo vệ. Thực hiện theo hướng dẫn từng bước được liệt kê về cách chuẩn bị để vệ sinh.

1. Đảm bảo đã tắt dụng cụ và rút phích cắm.

2. Vận ngược chiều kim đồng hồ bu-lông đầu ống sáu cạnh bằng cách sử dụng cờ lê sáu cạnh đã được cung cấp cùng với lớp vỏ bảo vệ trung tâm.

3. Nâng phần bảo vệ lưới cửa và lớp vỏ bảo vệ trung tâm.

4. Khi vệ sinh xong, đặt lại lớp vỏ bảo vệ trung tâm trở về đúng chỗ và siết chặt bu-lông đầu ống sáu cạnh bằng cách thực hiện đảo ngược các bước trên.

► **Hình 9:** 1. Cờ lê lục giác 2. Bu-lông đầu ổ lục giác 3. Lớp vỏ bảo vệ trung tâm 4. Phần bảo vệ lưới cửa

⚠ CẢNH BÁO: Không được tháo lò xo giữ phần bảo vệ lưỡi cưa. Nếu phần bảo vệ bị hỏng qua thời gian hoặc tiếp xúc với tia tử ngoại UV, hãy liên lạc với trung tâm dịch vụ Makita để thay thế. **KHÔNG ĐƯỢC LÀM HỒNG HOẶC THÁO PHẦN BẢO VỆ.**

Định vị rãnh cưa

Dụng cụ này được cung cấp kèm theo rãnh cưa ở để xoay để giảm thiểu nứt ở phía ra của mảnh cắt. Rãnh cưa đã được nhà máy điều chỉnh để lưỡi cưa đĩa không tiếp xúc với rãnh cưa. Trước khi sử dụng, hãy điều chỉnh rãnh cưa như sau:

1. Đảm bảo đã rút phích cắm điện dụng cụ. Sau đó, nói lỏng toàn bộ các vít (bên trái và bên phải mỗi bên ba cái) dùng để cố định rãnh cưa.

► **Hình10:** 1. Rãnh cưa 2. Vít

2. Siết chặt lại các vít đến mức rãnh cưa vẫn có thể dễ dàng được di chuyển bằng tay.

3. Hạ tay cầm xuống hết mức, sau đó khóa tay cầm vào vị trí bên dưới bằng chốt chặn.

4. Nói lỏng vít có tai vặn trên tay gạt cố định chuyển động trượt của bàn trượt.

Kéo hoàn toàn bàn trượt về phía bạn.

► **Hình11:** 1. Vít có tai vặn 2. Tay gạt

5. Điều chỉnh rãnh cưa sao cho chúng gần cạnh của răng lưỡi cưa.

► **Hình12**

► **Hình13:** 1. Lưỡi cưa đĩa 2. Răng cưa 3. Rãnh cưa 4. Cát xiên góc trái 5. Cát thẳng

6. Siết chặt các vít phía trước (không siết quá chặt).

7. Trượt bàn trượt đến vị trí giữa phần trước của rãnh cưa và thanh dẫn. Điều chỉnh rãnh cưa sao cho chúng gần các cạnh của răng lưỡi cưa.

8. Siết các vít trung tâm (không siết quá chặt).

9. Đẩy hoàn toàn bàn trượt về phía thanh dẫn, sau đó điều chỉnh rãnh cưa sao cho chúng gần các cạnh của răng lưỡi cưa.

10. Siết các vít phía sau (không siết quá chặt).

11. Nhả chốt chặn cho khóa tay cầm và nâng tay cầm lên. Sau đó siết chặt tất cả vít.

CHÚ Ý: Sau khi cài đặt góc xiên, đảm bảo rằng rãnh cưa được điều chỉnh hợp lý. Điều chỉnh rãnh cưa hợp lý sẽ tạo lực đỡ thích hợp cho phối gia công và giúp giảm thiểu phối gia công bị mòn đi.

Duy trì công suất cắt tối đa

Dụng cụ này đã được nhà máy điều chỉnh để cung cấp công suất cắt tối đa cho lưỡi cưa đĩa 260 mm.

Khi lắp đặt lưỡi cưa đĩa mới, luôn kiểm tra vị trí giới hạn bên dưới của lưỡi cưa đĩa, và nếu cần thiết, hãy điều chỉnh nó như sau:

1. Tháo phích cắm điện của dụng cụ. Sau đó, đẩy hoàn toàn bàn trượt về phía thanh dẫn và hạ thấp tay cầm hoàn toàn.

2. Sử dụng cờ lê sáu cạnh (phía tuốc-nơ-vít) để xoay bu lông điều chỉnh cho đến khi lưỡi cưa đĩa chạm vào bên dưới mặt cắt ngang của thanh dẫn và mặt trên của đế xoay.

► **Hình14:** 1. Bu lông điều chỉnh 2. Thanh dẫn

► **Hình15**

3. Xoay lưỡi cưa đĩa bằng tay trong khi giữ tay cầm ấn xuống hết mức để đảm bảo rằng lưỡi cưa đĩa không tiếp xúc với bất kỳ bộ phận nào của phần đế bên dưới. Điều chỉnh lại công suất cắt tối đa nếu cần thiết.

⚠ CẢNH BÁO: Sau khi lắp đặt lưỡi cưa đĩa mới và với dụng cụ đã được rút phích cắm điện, luôn đảm bảo rằng lưỡi cưa đĩa không tiếp xúc với bất kỳ bộ phận nào của phần đế bên dưới khi tay cầm được hạ thấp hoàn toàn. Nếu lưỡi cưa đĩa tiếp xúc với đế thì lưỡi cưa có thể bị bật ngược và dẫn đến thương tích cá nhân nghiêm trọng.

► **Hình16**

Tay chặn

Vị trí giới hạn dưới của lưỡi cưa có thể được điều chỉnh dễ dàng bằng tay chặn. Để điều chỉnh giới hạn dưới, hãy xoay tay chặn theo hướng mũi tên như hiển thị trên hình. Vặn vít điều chỉnh để lưỡi cưa dừng ở vị trí mong muốn khi hạ thấp tay cầm xuống hết mức.

► **Hình17:** 1. Tay chặn 2. Vít điều chỉnh

Điều chỉnh góc vát

⚠ THẬN TRỌNG: Sau khi thay đổi góc vát chéo, phải luôn cố định để xoay bằng cách siết chặt dụng cụ kẹp.

CHÚ Ý: Khi xoay để xoay, hãy đảm bảo đã nâng tay cầm hết mức.

Xoay tay cầm ngược chiều kim đồng hồ để mở để xoay. Vặn tay cầm trong khi giữ cần khóa lên để di chuyển để xoay. Căn chỉnh kim chỉ đến góc mong muốn trong thang đo góc vát sau đó vặn chặt tay cầm.

► **Hình18:** 1. Cần khóa 2. Tay cầm 3. Kim chỉ

Chức năng dừng theo chiều thuận

Máy cưa đa góc để bàn hoạt động bằng động cơ điện này cho phép sử dụng chức năng dừng theo chiều thuận. Bạn có thể cài đặt nhanh góc vát trái/phải 0°, 15°, 22,5°, 31,6°, và 45°. Để sử dụng chức năng này, di chuyển để xoay gần đến góc dừng theo chiều thuận mà bạn muốn trong khi giữ cần khóa hướng lên. Sau đó nhả cần khóa và di chuyển để xoay đến góc dừng theo chiều thuận mà bạn muốn cho đến khi để xoay bị khóa lại.

Điều chỉnh góc xiên

⚠ THẬN TRỌNG: Sau khi thay đổi góc xiên, luôn giữ chặt tay gạt bằng cách vận cần gạt theo chiều kim đồng hồ.

CHÚ Ý: Luôn tháo bàn kẹp đứng trước khi điều chỉnh góc xiên.

CHÚ Ý: Khi nghiêng lưới cửa đĩa, đảm bảo bàn trượt được nâng lên hoàn toàn.

CHÚ Ý: Khi thay đổi góc xiên, hãy chắc chắn rằng bạn đã đặt lại vị trí cho rãnh cửa đúng như diễn giải trong phần định vị rãnh cửa.

CHÚ Ý: Không vận cần gạt quá chặt. Làm như vậy có thể gây trục trặc cho cơ chế khóa của góc xiên.

Nghiêng lưới cửa đĩa sang trái 0° - 45°

1. Xoay cần gạt ngược chiều kim đồng hồ.
 2. Giữ tay cầm và nghiêng bàn trượt sang trái.
 3. Căn chỉnh kim chỉ đến góc mà bạn muốn trong thang đo góc xiên.
 4. Vận cần gạt theo chiều kim đồng hồ để cố định tay gạt.
- ▶ **Hình19:** 1. Cần gạt 2. Tay cầm 3. Kim chỉ 4. Thang đo góc xiên

Nghiêng lưới cửa đĩa về bên trái 0° - 45°

1. Xoay cần gạt ngược chiều kim đồng hồ.
2. Giữ tay cầm và cài đặt bàn trượt ở vị trí 0° đối với bên phải 2°, hoặc 45° đối với bên trái 47°.
3. Nghiêng nhẹ bàn trượt về phía đối diện.
4. Nhấn nút nhà.
5. Nghiêng bàn trượt đến vị trí mong muốn ngoài phạm vi 0° - 45°.
6. Vận chặt cần gạt theo chiều kim đồng hồ để cố định tay gạt.

Khi nghiêng bàn trượt sang phải 2°

▶ **Hình20:** 1. Cần gạt 2. Tay cầm 3. Nút nhà

Khi nghiêng bàn trượt sang trái 47°

▶ **Hình21:** 1. Cần gạt 2. Tay cầm 3. Nút nhà

Hoạt động công tắc

⚠ CẢNH BÁO: Trước khi cắm điện vào dụng cụ, luôn luôn kiểm tra xem cần khởi động công tắc có hoạt động bình thường hay không và trả về vị trí "TẮT" khi nhà ra. Không được kéo mạnh cần khởi động công tắc mà không nhấn nút nhà khóa. Điều này có thể làm hỏng công tắc. Vận hành dụng cụ khi công tắc không khởi động đúng có thể dẫn đến mất điều khiển và thương tích cá nhân nghiêm trọng.

⚠ CẢNH BÁO: KHÔNG ĐƯỢC PHÉP sử dụng dụng cụ không có cần khởi động công tắc hoạt động hoàn toàn. Bất kỳ dụng cụ nào có công tắc không làm việc là RẤT NGUY HIỂM và phải được sửa chữa trước khi tiếp tục sử dụng, nếu không, có thể xảy ra thương tích cá nhân nghiêm trọng.

⚠ CẢNH BÁO: KHÔNG ĐƯỢC PHÉP làm hỏng nút nhà khóa bằng cách buộc xuống hoặc một số cách khác. Một nút nhà khóa không hiệu quả có thể dẫn đến vận hành vô tình và thương tích cá nhân nghiêm trọng.

⚠ CẢNH BÁO: KHÔNG ĐƯỢC PHÉP sử dụng dụng cụ này nếu nó chạy khi bạn chỉ kéo cần khởi động công tắc mà không nhấn nút nhà khóa. Một công tắc cần sửa có thể dẫn đến vận hành vô tình và thương tích cá nhân nghiêm trọng. Hãy trả dụng cụ lại cho một trung tâm dịch vụ Makita để sửa chữa phù hợp TRƯỚC KHI sử dụng tiếp sau này.

Để ngăn ngừa vô tình kéo cần khởi động công tắc, dụng cụ được trang bị một nút nhà khóa. Để khởi động dụng cụ, ấn nút nhà khóa và kéo cần khởi động công tắc. Nhà cần khởi động công tắc ra để dừng. Một lỗ có sẵn trong cần khởi động công tắc để chèn khóa móc để khóa dụng cụ.

▶ **Hình22:** 1. Cần khởi động công tắc 2. Nút nhà khóa 3. Lỗ cho khóa móc

⚠ CẢNH BÁO: Không sử dụng khóa có chuỗi hay cáp có đường kính nhỏ hơn 6,35 mm. Chuỗi hoặc cáp nhỏ hơn có thể không khóa dụng cụ đúng ở vị trí tắt và vận hành vô tình có thể xảy ra dẫn đến thương tích cá nhân nghiêm trọng.

Chiếu sáng đường cắt

⚠ THẬN TRỌNG: Đèn không chống thấm nước mưa. Không rửa đèn bằng nước hoặc sử dụng dưới trời mưa hay khu vực ẩm ướt. Làm như thế có thể gây ra điện giật và bốc khói.

⚠ THẬN TRỌNG: Không chạm vào kính đèn vì nó có thể rất nóng khi đang bật hoặc sau khi tắt một thời gian ngắn. Điều này có thể gây bỏng.

⚠ THẬN TRỌNG: Không tác động lên đèn vì có thể làm hư hỏng hoặc giảm tuổi thọ đèn.

⚠ THẬN TRỌNG: Đừng nhìn thẳng trực tiếp vào đèn hoặc nguồn sáng.

Đèn LED chiếu ánh sáng lên lưới cửa đĩa và bóng của lưới cửa đổ lên phôi gia công đóng vai trò như đèn chỉ báo đường cắt không hiệu chuẩn. Nhấn công tắc đèn để chiếu sáng. Một đường xuất hiện nơi lưới cửa sẽ tiếp xúc với bề mặt phôi gia công, trở nên sâu hơn khi lưới cửa hạ xuống.

► **Hình23:** 1. Công tắc đèn 2. Đèn 3. Đường cắt

Chỉ báo giúp cắt qua đường cắt có sẵn được vẽ bằng bút chì trên phôi gia công.

1. Giữ tay cầm và hạ thấp lưới cửa đĩa để bóng dày của lưới cửa đổ lên phôi gia công.
2. Căn chỉnh đường cắt được vẽ trên phôi gia công với đường cắt được soi bóng.
3. Điều chỉnh góc vát và góc xiên nếu cần.

LƯU Ý: Đảm bảo tắt công tắc đèn sau khi sử dụng. Nếu không đèn vẫn còn nóng.

Chức năng điện tử

Tính năng khởi động mềm

Chức năng này cho phép khởi động dụng cụ mượt mà bằng cách hạn chế mô-men xoắn khi khởi động.

LẮP RÁP

⚠ CẢNH BÁO: Luôn đảm bảo rằng dụng cụ này đã được tắt và rút phích cắm trước khi tháo tác với dụng cụ. Không tắt và rút phích cắm điện của dụng cụ có thể gây chấn thương cá nhân nghiêm trọng.

Cắt giữ cờ lê sáu cạnh

Khi không sử dụng, cắt giữ cờ lê sáu cạnh như được minh họa trong hình để tránh làm mất.

► **Hình24:** 1. Cờ lê sáu cạnh

Lắp hoặc tháo lưới cửa đĩa

⚠ CẢNH BÁO: Luôn đảm bảo đã tắt dụng cụ và rút phích cắm trước khi tháo và lắp lưới cửa đĩa. Vô tình khởi động dụng cụ có thể dẫn đến thương tích cá nhân nghiêm trọng.

⚠ CẢNH BÁO: Chỉ sử dụng cờ lê của Makita đi kèm để tháo và lắp lưới cửa đĩa. Không sử dụng cờ lê có thể khiến cho bu-lông đầu ổ lục giác bị siết quá chặt hoặc siết không đủ chặt và gây thương tích cá nhân nghiêm trọng.

⚠ CẢNH BÁO: Không bao giờ sử dụng hoặc thay thế các bộ phận không được cung cấp kèm với dụng cụ này. Sử dụng các bộ phận đó có thể gây thương tích cá nhân nghiêm trọng.

⚠ CẢNH BÁO: Sau khi lắp lưới cửa đĩa, luôn phải đảm bảo rằng lưới cửa đã được lắp chặt vào. Nới lỏng phụ tùng của lưới cửa đĩa có thể gây ra thương tích cá nhân nghiêm trọng.

Các chuẩn bị chung để lắp đặt hoặc tháo lưới cửa đĩa

1. Mở khóa bàn trượt bằng cách kéo chốt chặn, sau đó di chuyển bàn trượt đến vị trí nâng lên.
2. Nới lỏng bu lông đầu ổ sáu cạnh giữ lớp vỏ bảo vệ trung tâm bằng cờ lê sáu cạnh. Sau đó, nâng phần bảo vệ lưới cửa và lớp vỏ bảo vệ trung tâm.► **Hình25:** 1. Cờ lê sáu cạnh 2. Bu-lông đầu ổ lục giác 3. Lớp vỏ bảo vệ trung tâm 4. Phần bảo vệ lưới cửa

Lắp lưới cửa đĩa

⚠ THẬN TRỌNG: Đảm bảo lắp lưới cửa đĩa sao cho hướng mũi tên trên lưới cửa đĩa khớp với hướng mũi tên trên vỏ che lưới cửa. Không làm như vậy có thể gây thương tích cá nhân và làm hỏng dụng cụ và/hoặc phôi gia công.

1. Hoàn thành các bước trong “Các chuẩn bị chung để lắp đặt hoặc tháo lưới cửa đĩa”.
2. Nhấn khóa trục để khóa trụ quay và dùng cờ lê lục giác để nới lỏng bu-lông đầu ổ lục giác theo chiều kim đồng hồ. Sau đó tháo bu-lông đầu ổ lục giác, vành ngoài và lưới cửa đĩa.► **Hình26:** 1. Bu-lông đầu ổ sáu cạnh (bên trái) 2. Vành ngoài 3. Khóa trục
3. Gắn lưới cửa đĩa cẩn thận vào vành trong. Đảm bảo rằng hướng mũi tên trên bề mặt của lưới cửa đĩa khớp với hướng mũi tên trên vỏ che lưới cửa.► **Hình27:** 1. Mũi tên
4. Lắp vành ngoài và bu lông đầu ổ sáu cạnh. Vặn chặt bu lông đầu ổ sáu cạnh (bên trái) ngược chiều kim đồng hồ bằng cờ lê sáu cạnh trong khi nhấn khóa trục.► **Hình28:** 1. Bu-lông đầu ổ sáu cạnh (bên trái) 2. Vành ngoài 3. Lưới cửa đĩa 4. Vòng 5. Vành trong 6. Trụ quay
- **Hình29:** 1. Bu-lông đầu ổ sáu cạnh (bên trái) 2. Vành ngoài 3. Khóa trục
5. Trả lại phần bảo vệ lưới cửa và lớp vỏ bảo vệ trung tâm vào vị trí ban đầu. Sau đó siết chặt bu-lông đầu ổ sáu cạnh của lớp vỏ bảo vệ trung tâm để cố định lớp vỏ bảo vệ.

Hạ thấp bàn trượt và kiểm tra để đảm bảo phần bảo vệ lưới cửa dịch chuyển bình thường.

► **Hình30:** 1. Cờ lê sáu cạnh 2. Bu-lông đầu ổ lục giác 3. Lớp vỏ bảo vệ trung tâm 4. Phần bảo vệ lưới cửa

Tháo lưới cửa đĩa

1. Hoàn thành các bước trong “Các chuẩn bị chung để lắp đặt hoặc tháo lưới cửa đĩa”.
2. Nhấn khóa trục để khóa trụ quay. Nới lỏng bu lông đầu ổ sáu cạnh theo chiều kim đồng hồ bằng cờ lê sáu cạnh. Sau đó tháo bu lông đầu ổ sáu cạnh, vành ngoài và lưới cửa đĩa.► **Hình31:** 1. Bu-lông đầu ổ sáu cạnh (bên trái) 2. Vành ngoài 3. Khóa trục

3. Khi tháo vành trong, hãy lắp vành trong lên trục quay với bộ phận chuyển động lưỡi cưa đĩa ngược hướng với lưỡi. Nếu lắp vành không đúng cách, vành sẽ cọ xát vào máy.

- **Hình32:** 1. Bu-lông đầu ống sáu cạnh (bên trái)
2. Vành ngoài 3. Lưỡi cưa đĩa 4. Vòng
5. Vành trong 6. Trục quay

CHÚ Ý: Cần thận không để mất vành ngoài và bu-lông đầu ống sáu cạnh đã tháo ra.

Kết nối máy hút bụi

Khi bạn muốn thực hiện thao tác cắt sạch, hãy kết nối với máy hút bụi cầm tay hoạt động bằng động cơ điện của Makita.

CHÚ Ý: Tùy thuộc vào loại máy hút bụi và ống được sử dụng, cổng gom bụi có thể bị chắn bởi chụp gom bụi, dẫn đến không thể thu gom bụi. Trong trường hợp đó, sẽ làm yếu lực hút của máy hút bụi.

- **Hình33:** 1. Chụp gom bụi

Túi đựng mặt cưa

⚠ THẬN TRỌNG: Khi thực hiện cắt, luôn gắn túi chứa bụi hoặc kết nối máy hút bụi để tránh các mối nguy liên quan đến bụi.

Sử dụng túi chứa bụi giúp cho các thao tác cắt thảo sạch sẽ và dễ dàng thu gom bụi. Để gắn túi chứa bụi, hãy nối túi chứa bụi vào vòi xả bụi.

- **Hình34:** 1. Túi chứa bụi 2. Vòi xả bụi

Khi túi chứa bụi đã đầy khoảng một nửa, hãy tháo túi chứa bụi ra khỏi dụng cụ và kéo bộ phận kẹp ra. Để toàn bộ phần bên trong túi chứa bụi, vỗ nhẹ để loại bỏ các hạt dính vào mặt trong túi mà có thể làm vướng việc thu gom sau này.

- **Hình35:** 1. Bộ phận kẹp

Cố định phôi gia công

⚠ CẢNH BÁO: Điều cực kỳ quan trọng là phải luôn luôn cố định phôi gia công đúng cách bằng kiểu bàn kẹp phù hợp. Không làm như vậy có thể gây thương tích cá nhân nghiêm trọng và làm hỏng dụng cụ và/hoặc phôi gia công.

⚠ CẢNH BÁO: Sau một thao tác cắt, không được nâng lưỡi cưa lên cao đến khi dừng hẳn. Nâng lưỡi cưa đang đi xuống có thể gây thương tích cá nhân nghiêm trọng và làm hỏng phôi gia công.

⚠ CẢNH BÁO: Khi cắt phôi gia công dài hơn để đỡ của máy cưa đa góc, nên đỡ toàn bộ chiều dài của vật liệu trên để đỡ và ở cùng chiều cao để vật liệu thẳng bằng. Giá đỡ phôi gia công hợp lý sẽ giúp tránh lưỡi cưa bị kẹp và có thể bị đẩy ngược lại, gây chấn thương cá nhân nghiêm trọng. Không được chỉ dựa vào bàn kẹp đứng để cố định phôi gia công. Vật liệu mỏng thường võng xuống. Đỡ phôi gia công trên toàn bộ chiều dài để tránh lưỡi cưa bị kẹp và có thể bị BẬT NGƯỢC.

- **Hình36:** 1. Giá đỡ 2. Để xoay

Thanh dẫn

⚠ CẢNH BÁO: Trước khi vận hành dụng cụ, đảm bảo thanh trượt đã được cố định bằng ốc xiết thật chặt.

⚠ CẢNH BÁO: Trước khi cắt góc xiên, hãy đảm bảo rằng không phần nào của dụng cụ, đặc biệt là lưỡi cưa đĩa, tiếp xúc với thanh trượt khi hạ xuống và nâng lên tay cầm hết mức ở bất kỳ vị trí nào và khi di chuyển bên trượt qua hết đường đi của nó. Nếu dụng cụ hoặc lưỡi cưa đĩa tiếp xúc với thanh trượt, điều này có thể gây ra hiện tượng bật ngược hoặc chuyển động không mong muốn của vật liệu và gây thương tích cá nhân.

Dụng cụ này được trang bị kèm thanh trượt. Khi thực hiện cắt xiên góc trái, nơi lồng ốc xiết và di chuyển thanh trượt sao cho không cản trở chuyển động của bàn trượt. Cố định thanh trượt bằng cách vận chặt ốc xiết.

- **Hình37:** 1. Thanh trượt 2. Thanh dẫn 3. Ốc xiết

Bàn kẹp đứng

⚠ CẢNH BÁO: Phôi gia công phải được cố định chắc chắn vào đế xoay và thanh dẫn với bàn kẹp trong toàn bộ quá trình vận hành. Nếu phôi gia công không được cố định chính xác vào thanh chắn, vật liệu có thể xô dịch trong quá trình cắt gây nguy cơ hỏng lưỡi cưa, làm vật liệu bị văng ra và mất kiểm soát dẫn đến chấn thương cá nhân nghiêm trọng.

Bàn kẹp đứng có thể được lắp vào các lỗ ở bên trái của đế, bên phải của đế hoặc bên trái của đế phụ. Ấn phôi gia công ngang bằng với tấm chắn dẫn hướng và đế xoay. Định vị phôi gia công ở vị trí cắt mong muốn và cố định nó thật chắc bằng cách siết chặt núm kẹp. Đảm bảo rằng không có bộ phận nào của dụng cụ tiếp xúc với bàn kẹp đứng khi hạ thấp tay cầm hết mức. Nếu có một vài bộ phận tiếp xúc với bàn kẹp đứng, hãy định vị lại bàn kẹp đứng.

- **Hình38:** 1. Lỗ 2. Núm kẹp

Bộ phụ

⚠ CẢNH BÁO: Luôn đỡ phôi gia công dài để nó nằm ngang với mặt cao nhất của đế xoay để cắt chính xác và tránh mất điều khiển dụng cụ nguy hiểm. Giá đỡ phôi gia công hợp lý sẽ giúp tránh lưỡi cưa bị kẹp và có thể bị đẩy ngược lại, gây chấn thương cá nhân nghiêm trọng.

⚠ CẢNH BÁO: Trước khi thực hiện thao tác cắt, luôn đảm bảo rằng đế phụ được cố định bằng vít có tai vạt.

Để giữ phôi gia công dài theo chiều ngang, đế phụ được gắn trên cả hai bên dụng cụ. Nơi lồng vít có tai vạt và mở rộng đế phụ đến chiều dài thích hợp để giữ phôi gia công. Sau đó vận chặt các vít có tai vạt.

- **Hình39:** 1. Bộ phụ 2. Vít có tai vạt

Khi cắt, đặt phôi gia công ngang bằng với thanh dẫn.

- **Hình40:** 1. Thanh dẫn 2. Bộ phụ

VẬN HÀNH

Dụng cụ này được dùng để các sản phẩm bằng gỗ. Với lưỡi cưa chính hãng Makita phù hợp, cũng có thể cưa được các vật liệu sau đây:

— Sản phẩm bằng nhôm

Tham khảo trang web của chúng tôi hoặc liên hệ với đại lý Makita tại địa phương của bạn để biết lưỡi cưa đĩa chính xác được sử dụng cho vật liệu cần cắt.

⚠ CẢNH BÁO: Phải đảm bảo lưỡi cưa không tiếp xúc với phôi gia công, v.v... trước khi bật công tắc lên. Bật dụng cụ khi lưỡi cưa tiếp xúc với phôi gia công có thể dẫn đến bật ngược và gây thương tích cá nhân nghiêm trọng.

⚠ CẢNH BÁO: Sau một thao tác cắt, không được nâng lưỡi cưa lên cho đến khi dừng hẳn. Nâng lưỡi cưa đang đi xuống có thể gây thương tích cá nhân nghiêm trọng và làm hỏng phôi gia công.

⚠ CẢNH BÁO: Không thực hiện bất kỳ điều chỉnh như vận tay cầm, núm và cần trên dụng cụ khi lưỡi cưa đang quay. Điều chỉnh trong khi lưỡi cưa đang quay có thể gây ra thương tích cá nhân nghiêm trọng.

⚠ THẬN TRỌNG: Không nhả đầu cưa không được kiểm soát khỏi vị trí hạ xuống hoàn toàn. Đầu cưa không được kiểm soát có thể va vào bạn và việc này sẽ dẫn đến thương tích cá nhân.

CHÚ Ý: Trước khi sử dụng, hãy đảm bảo đã mở khóa chốt chặn và nhả tay cầm ra khỏi vị trí hạ xuống.

CHÚ Ý: Không dùng lực quá nhiều trên tay cầm khi cắt. Dùng lực quá nhiều có thể dẫn đến quá tải động cơ và/hoặc giảm hiệu quả cắt. Ấn tay cầm xuống chỉ với lực cần thiết để thao tác cắt trôi chảy và không làm suy giảm đáng kể tốc độ lưỡi cưa.

CHÚ Ý: Nhẹ nhàng ấn tay cầm xuống để thực hiện thao tác cắt. Nếu ấn tay cầm xuống bằng lực hoặc nếu dùng lực ngang, lưỡi cưa có thể rung giật và để lại dấu (dấu cưa) trên phôi gia công và độ chính xác của vết cắt có thể bị ảnh hưởng.

CHÚ Ý: Trong khi cắt trượt, đẩy nhẹ bàn trượt về phía thanh dẫn mà không dừng lại. Nếu chuyển động của bàn trượt ngừng lại trong khi đang cắt, phôi gia công sẽ có vết và việc cắt có thể bị giảm độ chính xác.

Cắt ép xuống

⚠ CẢNH BÁO: Luôn khóa chuyển động trượt của bàn trượt khi thực hiện cắt ép xuống. Cắt khi không khóa có thể gây ra hiện tượng bật ngược trở lại dẫn đến chấn thương cá nhân nghiêm trọng.

Phôi gia công có chiều cao tối đa 91 mm và chiều rộng 90 mm có thể được cắt theo cách sau.

1. Đẩy bàn trượt về phía thanh dẫn cho đến khi bàn trượt dừng lại và khóa lại bằng vít có tai vặn.
 2. Cố định phôi gia công bằng bàn kẹp phù hợp.
 3. Bật dụng cụ lên mà không để lưỡi cưa đĩa bị tiếp xúc và đợi đến khi lưỡi cưa đĩa đạt tốc độ đầy đủ trước khi hạ xuống.
 4. Nhẹ nhàng hạ thấp tay cầm xuống hết mức để cắt phôi gia công.
 5. Sau khi cắt xong, hãy tắt dụng cụ và chờ đến khi lưỡi cưa đĩa dừng hoàn toàn trước khi đưa lưỡi cưa đĩa trở lại vị trí nâng cao hết mức của nó.
- Hình41: 1. Vít có tai vặn

Cắt trượt (đẩy) xuống (cắt phôi gia công rộng)

⚠ CẢNH BÁO: Bất cứ khi nào thực hiện cắt trượt, trước tiên phải đẩy hoàn toàn bàn trượt về phía mình và ấn tay cầm xuống hoàn toàn, rồi đẩy bàn trượt về phía tấm chắn dẫn hướng. Không bắt đầu việc cắt khi bàn trượt không được kéo hoàn toàn về phía bạn. Nếu bạn thực hiện việc cắt trượt khi chưa kéo bàn trượt hoàn toàn về phía mình, bàn trượt có thể bị đẩy ngược trở lại không mong muốn và gây ra thương tích cá nhân nghiêm trọng.

⚠ CẢNH BÁO: Không có thực hiện cắt trượt bằng cách kéo bàn trượt về phía bạn. Kéo bàn trượt về phía bạn trong khi cắt có thể khiến bàn trượt bị đẩy ngược trở lại không mong muốn gây ra thương tích cá nhân nghiêm trọng.

⚠ CẢNH BÁO: Không được phép thực hiện cắt trượt khi tay cầm đã khóa ở vị trí thấp.

1. Nới lỏng vít có tai vặn để bàn trượt có thể trượt tự do.
 2. Cố định phôi gia công bằng bàn kẹp phù hợp.
 3. Kéo hoàn toàn bàn trượt về phía bạn.
 4. Bật dụng cụ lên mà không để lưỡi cưa đĩa bị tiếp xúc và đợi đến khi lưỡi cưa đạt đủ tốc độ.
 5. Ấn tay cầm xuống và đẩy bàn trượt về phía tấm chắn dẫn hướng và qua phôi gia công.
 6. Sau khi cắt xong, hãy tắt dụng cụ và chờ đến khi lưỡi cưa đĩa dừng hoàn toàn trước khi đưa lưỡi cưa đĩa trở lại vị trí nâng cao hết mức của nó.
- Hình42: 1. Vít có tai vặn

Cắt vát góc

Tham khảo phần điều chỉnh góc vát.

Cắt xiên

⚠ CẢNH BÁO: Sau khi thiết đặt lưới cửa cho cắt xiên góc, hãy đảm bảo bàn trượt và lưới cửa có thể di chuyển tự do theo suốt chiều dài của đường định cắt trước khi vận hành dụng cụ.

Nếu bị vướng khi đang di chuyển trong lúc cắt, bàn trượt hoặc lưới cửa có thể bị đẩy ngược lại và gây ra thương tích cá nhân nghiêm trọng.

⚠ CẢNH BÁO: Trong khi thực hiện cắt xiên góc không để tay trên đường tiến của lưới cửa. Góc của lưới cửa có thể làm cho người vận hành nhầm lẫn với đường tiến thực tế của lưới cửa khi cắt và tiếp xúc với lưới cửa sẽ gây ra thương tích cá nhân nghiêm trọng.

⚠ CẢNH BÁO: Không nên nâng lưới cửa lên cho đến khi đã dừng lại hoàn toàn. Trong khi cắt xiên góc, phần phối bị cắt có thể bị lưới cửa đẩy văng ra. Nếu lưới cửa được nâng lên khi đang quay, phần phối cắt có thể bị lưới cửa đẩy văng ra, làm cho phối bị vỡ gây ra thương tích cá nhân nghiêm trọng.

CHÚ Ý: Khi ấn tay cầm xuống, hãy tác dụng lực song song với lưới cửa. Nếu tác dụng lực vuông góc với để xoay hoặc nếu thay đổi hướng của lực khi cắt, độ chính xác của vết cắt sẽ bị giảm.

1. Đặt thanh trượt ở bên trái để ngăn bàn trượt tiếp xúc.
2. Mở khóa chốt chặn và nới lỏng vít có tai vặn trên tay gạt sao cho bàn trượt có thể được nâng lên và trượt tự do.
3. Điều chỉnh góc xiên theo quy trình được diễn giải trong phần điều chỉnh góc xiên. Sau đó vận chuyển tay cầm.
4. Cố định phối gia công bằng bàn kẹp.
5. Kéo hoàn toàn bàn trượt về phía bạn.
6. Bật dụng cụ lên mà không để lưới cửa đĩa bị tiếp xúc và đợi đến khi lưới cửa đĩa đạt đủ tốc độ.
7. Nhẹ nhàng hạ thấp tay cầm đến vị trí thấp hết mức trong khi tác dụng lực song song với lưới cửa đĩa và **đẩy bàn trượt về phía thanh dẫn để cắt phối gia công.**
8. Sau khi cắt xong, hãy tắt dụng cụ và **chờ đến khi lưới cửa đĩa dừng hoàn toàn** trước khi đưa lưới cửa trở lại vị trí nâng cao hết mức của nó.

► **Hình 43**

Cắt hỗn hợp

Cắt hỗn hợp là quá trình mà trong đó góc xiên được thực hiện cùng một lúc trong khi đang cắt góc vát trên phối gia công. Có thể thực hiện việc cắt hỗn hợp theo góc đã thể hiện trong bảng.

Góc vát chéo	Góc xiên
Trái và Phải 0° - 45°	Trái 0° - 45°

Khi thực hiện cắt hỗn hợp, hãy tham khảo phần cắt ép xuống, cắt trượt (đẩy) xuống, cắt vát góc và cắt xiên góc.

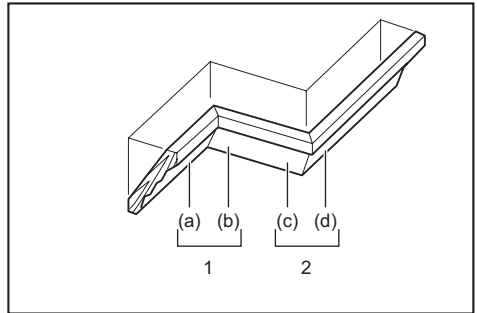
Cắt đường gờ bao quanh và đường gờ vòm

Có thể cắt đường gờ bao quanh và đường gờ vòm trên máy cửa chéo phức hợp với các đường gờ có mặt phẳng đặt trên để xoay.

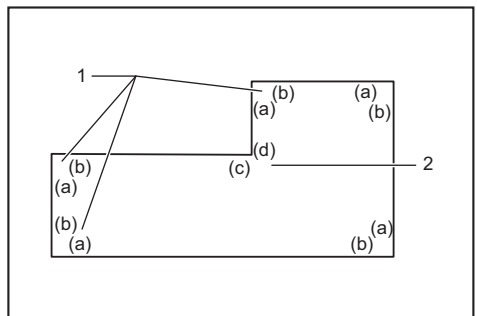
Có hai loại đường gờ bao quanh phổ biến và một loại đường gờ vòm; đường gờ bao quanh góc tường 52/38°, đường gờ bao quanh góc tường 45° và đường gờ vòm góc tường 45°.

► **Hình 44:** 1. đường gờ bao quanh góc tường loại 52/38° 2. đường gờ bao quanh góc tường loại 45° 3. đường gờ vòm góc tường loại 45°

Có các phần nối đường gờ bao quanh và đường gờ vòm được tạo ra để khớp với các góc 90° “Bên trong” ((a) và (b) trong hình) và các góc 90° “Bên ngoài” ((c) và (d) trong hình).



1. Góc bên trong 2. Góc bên ngoài



1. Góc bên trong 2. Góc bên ngoài

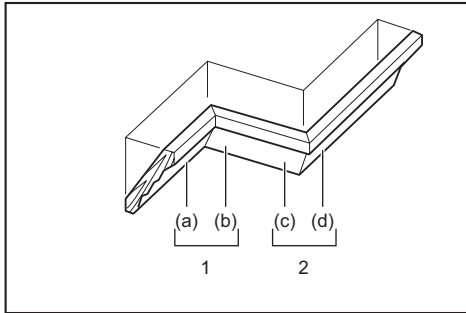
Đo đạc

Đo chiều rộng của vách ngăn, và điều chỉnh phối gia công theo chiều rộng của vách ngăn. Luôn đảm bảo rằng chiều rộng của vách ngăn tiếp xúc với cạnh của phối gia công phải có cùng một độ dài.

► **Hình 45:** 1. Phối gia công 2. Độ rộng của vách ngăn 3. Độ rộng của phối gia công 4. Vách ngăn tiếp xúc cạnh

Luôn sử dụng nhiều miếng cắt thử khác nhau để kiểm tra các góc của máy cưa.
 Khi cắt đường gờ bao quanh và đường gờ vòm, phải thiết đặt góc xiên và góc vát chéo như được thể hiện trong bảng (A) và đặt vị trí các đường gờ trên bề mặt trên cùng của bộ cắt như được thể hiện trong bảng (B).

Trường hợp cắt nghiêng sang trái



1. Góc bên trong 2. Góc bên ngoài

Bảng (A)

-	Vị trí đường gờ trong hình	Góc xiên		Góc vát chéo	
		Loại 52/38°	Loại 45°	Loại 52/38°	Loại 45°
Đối với góc bên trong	(a)	33,9° sang Trái	30° sang Trái	31,6° sang Phải	35,3° sang Phải
	(b)			31,6° sang Trái	35,3° sang Trái
Đối với góc bên ngoài	(c)	33,9° sang Trái	30° sang Trái	31,6° sang Phải	35,3° sang Phải
	(d)			31,6° sang Phải	35,3° sang Phải

Bảng (B)

-	Vị trí đường gờ trong hình	Vị trí cạnh đường gờ dựa vào tấm chắn dẫn hướng	Mảnh đã hoàn tất
Đối với góc bên trong	(a)	Cạnh tiếp xúc với trần phải dựa vào tấm chắn dẫn hướng.	Phôi đã hoàn tất sẽ nằm bên Trái của lưỡi cưa đĩa.
	(b)	Cạnh tiếp xúc với tường phải dựa vào tấm chắn dẫn hướng.	
Đối với góc bên ngoài	(c)	Cạnh tiếp xúc với trần phải dựa vào tấm chắn dẫn hướng.	Phôi đã hoàn tất sẽ nằm bên Phải của lưỡi cưa đĩa.
	(d)	Cạnh tiếp xúc với tường phải dựa vào tấm chắn dẫn hướng.	

Ví dụ:

Trong trường hợp cắt đường bao quanh loại 52/38° cho vị trí (a) trong hình ở trên:

- Nghiêng và cố định thiết đặt góc xiên sang 33,9° BÊN TRÁI.

- Điều chỉnh và cố định thiết đặt góc vát chéo sang 31,6° BÊN PHẢI.
- Đặt đường gờ bao quanh với mặt sau rộng (ảnh) xuống để xoay và CẢNH TIẾP XÚC TRẦN dựa vào tấm chắn dẫn hướng trên máy cưa.
- Mảnh đã hoàn tất được sử dụng sẽ luôn nằm bên TRÁI của lưỡi cưa đĩa sau khi đã cắt xong.

Cắt phần đùn nhôm

Khi giữ chặt phần đùn nhôm, hãy sử dụng các khối chặn hoặc mảnh phế liệu như thể hiện trong hình để ngăn ngừa nhôm biến dạng. Sử dụng dầu nhờn để cắt khi cắt phần đùn nhôm nhằm ngăn chặn vật liệu nhôm tích tụ trên lưỡi cưa đĩa.

⚠ CẢNH BÁO: Không bao giờ cố gắng cắt phần đùn nhôm dày hoặc có dạng tròn. Phần đùn nhôm dày hoặc có hình tròn khó có thể cố định và phôi có thể bị nổi lồi khi tháo tác cắt, có thể làm kiểm soát và gây chấn thương cá nhân nghiêm trọng.

- **Hình46:** 1. Bàn kẹp 2. Khối để chặn 3. Thanh dẫn 4. Phần đùn nhôm 5. Khối để chặn

Cắt chiều dài lặp lại

Khi cắt nhiều miếng gỗ có cùng chiều dài, từ 225 mm đến 350 mm, kéo tấm gài lên như thể hiện trong hình. Cố định phôi gia công ở vị trí để cắt. Trượt đế phụ bên phải sao cho tấm gài ngang bằng với đầu cuối của phôi gia công. Sau đó cố định đế phụ bằng vít có tai vặn.

- **Hình47:** 1. Đĩa chặn 2. Vít có tai vặn

Cắt rãnh lòng máng

⚠ CẢNH BÁO: Không cố thực hiện cách cắt này bằng các lưỡi cưa rộng hoặc bằng lưỡi cưa cắt dài ốp tường. Cố cắt rãnh lòng máng bằng lưỡi cưa rộng hoặc lưỡi cưa cắt dài ốp tường có thể dẫn đến kết quả cắt không mong muốn và đẩy lưỡi cưa ngược lại có thể gây thương tích cá nhân nghiêm trọng.

⚠ CẢNH BÁO: Đảm bảo đưa tay chặn về vị trí ban đầu khi thực hiện các công việc không phải là cắt rãnh lòng máng. Cố cắt khi tay chặn đặt sai vị trí có thể dẫn đến kết quả cắt không mong muốn và đẩy lưỡi cưa ngược lại có thể gây thương tích cá nhân nghiêm trọng.

Đối với máy cắt loại dài ốp tường, thực hiện như sau:

- Điều chỉnh vị trí giới hạn dưới của lưỡi cưa đĩa bằng vít điều chỉnh và tay chặn để giới hạn độ sâu cắt xuống của lưỡi cưa đĩa. Vui lòng tham khảo phần tay chặn.
- Sau khi điều chỉnh vị trí giới hạn dưới của lưỡi cưa đĩa, cắt các đường rãnh song song qua chiều rộng của phôi gia công bằng cách cắt trượt (đẩy).
 ► **Hình48:** 1. Cắt rãnh bằng lưỡi cưa
- Loại bỏ vật liệu gia công giữa các đường rãnh bằng một cái đục.

Di chuyển dụng cụ

Trước khi mang dụng cụ, đảm bảo đã rút phích cắm điện dụng cụ và tất cả bộ phận chuyển động của dụng cụ đã được cố định. Luôn kiểm tra những điều sau:

- Dụng cụ đã rút phích cắm điện.
- Bàn trượt nằm ở vị trí góc xiên 0° và được cố định.
- Bàn trượt đã được hạ xuống và khóa.
- Bàn trượt trượt về phía bạn hoàn toàn và đã khóa.
- Đế xoay nằm ở vị trí góc vát phải hoàn toàn và được cố định.

Di chuyển dụng cụ bằng cách giữ tay cầm và một bên của đế dụng cụ hoặc bằng cách giữ cả hai bên đế của dụng cụ.

► **Hình49**

► **Hình50**

⚠ CẢNH BÁO: Chốt chặn để nâng bàn trượt chỉ dùng để di chuyển, cất giữ, và điều chỉnh chứ không dùng cho bất kỳ thao tác cắt nào. Việc sử dụng chốt chặn cho các thao tác cắt có thể làm lưỡi cưa đĩa di chuyển không mong muốn, khiến lưỡi cưa bị đẩy ngược lại và gây ra thương tích cá nhân nghiêm trọng.

⚠ THẬN TRỌNG: Luôn cố định tất cả các phần chuyển động trước khi mang vác dụng cụ. Nếu các phần của dụng cụ di chuyển hoặc trượt trong khi được mang vác, việc mất kiểm soát hoặc mất cân bằng có thể xảy ra và gây thương tích cá nhân nghiêm trọng.

⚠ THẬN TRỌNG: Đảm bảo độ cao bàn trượt được khóa đúng cách ở phía dưới cùng của bàn trượt bằng chốt chặn. Nếu chốt chặn không được cài đúng cách, bàn trượt có thể bật lên đột ngột và gây thương tích cá nhân.

BẢO TRÌ

⚠ CẢNH BÁO: Luôn bảo đảm rằng dụng cụ được tắt điện và rút phích cắm trước khi thử thực hiện việc kiểm tra hoặc bảo trì. Không tắt và rút phích cắm điện của dụng cụ có thể dẫn đến vô tình khởi động máy gây chấn thương cá nhân nghiêm trọng.

⚠ CẢNH BÁO: Luôn đảm bảo rằng lưỡi cưa sắc bén và sạch sẽ để đạt hiệu suất hoạt động tốt nhất, an toàn nhất. Cỏ cắt bằng lưỡi cưa cùn và/hoặc bẩn có thể gây ra hiện tượng bật ngược và dẫn đến thương tích cá nhân nghiêm trọng.

CHÚ Ý: Không được phép dùng xăng, ét xăng, dung môi, cồn hoặc hóa chất tương tự. Có thể xảy ra hiện tượng mất màu, biến dạng hoặc nứt vỡ.

Để đảm bảo ĐỘ AN TOÀN và ĐỘ TIN CẬY của sản phẩm, việc sửa chữa hoặc bất cứ thao tác bảo trì, điều chỉnh nào đều phải được thực hiện bởi các Trung tâm Dịch vụ Nhà máy hoặc Trung tâm được Makita Ủy quyền và luôn sử dụng các phụ tùng thiết bị thay thế của Makita.

Điều chỉnh góc cắt

Dụng cụ này được điều chỉnh và căn chỉnh cẩn thận tại nhà máy, tuy nhiên quá trình vận chuyển dần xóc có thể ảnh hưởng đến việc căn chỉnh này. Nếu dụng cụ của bạn được căn chỉnh không đúng cách, hãy thực hiện các bước sau:

Góc vát chéo

1. Khóa bàn trượt vào vị trí bên dưới bằng chốt chặn. Đẩy bàn trượt về phía thanh dẫn và vận chặt vít có tai vặn để cố định bàn trượt.
2. Thiết lập đế xoay đến vị trí 0° bằng chức năng dừng theo chiều thuận. (Hãy để nguyên kim chỉ nếu kim chỉ không chỉ vào 0°.)
3. Nói lỏng các bu lông đầu ống sáu cạnh cố định thanh dẫn bằng cờ lê sáu cạnh.
► **Hình51:** 1. Chốt chặn 2. Vít có tai vặn 3. Bu lông đầu ống sáu cạnh

4. Đặt vuông góc mặt bên của lưỡi cưa với mặt thanh dẫn bằng thước tam giác hoặc thước ê-ke vuông. Sau đó vận chặt bu lông đầu ống sáu cạnh trên thanh dẫn theo trình tự từ mặt bên phải.
► **Hình52:** 1. Thanh dẫn 2. Thước tam giác

5. Nếu kim chỉ không chỉ đến 0°, hãy nói lỏng vít đang giữ kim chỉ và điều chỉnh kim chỉ sao cho nó chỉ 0°.
► **Hình53:** 1. Vít 2. Kim chỉ 3. Thang đo vát góc

Góc xiên

Góc xiên 0°

1. Khóa bàn trượt vào vị trí bên dưới bằng chốt chặn. Đẩy bàn trượt về phía thanh dẫn và vận chặt vít có tai vặn để cố định bàn trượt.
2. Nói lỏng cần gạt. Sau đó vận bu lông điều chỉnh 0° hai hoặc ba vòng ngược chiều kim đồng hồ để nghiêng lưỡi cưa đĩa về bên phải.
► **Hình54:** 1. Cần gạt 2. Bu lông điều chỉnh 0°
3. Cẩn thận chỉnh ngang bằng mặt bên của lưỡi cưa với bề mặt trên cùng của đế xoay bằng thước tam giác, thước ê-ke vuông, v.v... bằng cách xoay bu lông điều chỉnh 0° theo chiều kim đồng hồ. Sau đó vận chặt cần gạt để cố định góc 0° bàn đã cài đặt.
► **Hình55:** 1. Thước tam giác 2. Lưỡi cưa 3. Mặt trên của đế xoay
4. Nếu kim chỉ không chỉ 0°, hãy nói lỏng vít đang giữ kim chỉ và điều chỉnh sao cho nó chỉ 0°.
► **Hình56:** 1. Vít 2. Kim chỉ 3. Thang đo xiên góc

Góc xiên 45°

CHÚ Ý: Trước khi điều chỉnh góc xiên 45°, hãy hoàn tất điều chỉnh góc xiên 0°.

1. Vận chặt vít có tai vận để cố định bàn trượt.
2. Nới lỏng cần gạt. Sau đó nghiêng hoàn toàn bàn trượt sang trái.

► **Hình57:** 1. Vít có tai vận 2. Cần gạt

3. Kiểm tra xem kim chỉ có chỉ vị trí 45° trong thang đo góc xiên hay không.

Nếu kim chỉ không chỉ vị trí 45°, căn chỉnh nó tới vị trí 45° bằng cách vận bu lông điều chỉnh 45°.

► **Hình58:** 1. Bu lông điều chỉnh 45°

Thay thế các chổi các-bon

Hãy tháo và kiểm tra chổi các-bon thường xuyên. Thay thế khi chổi đã mòn đến chiều dài 3 mm (1/8"). Giữ chổi các-bon sạch và có thể trượt dễ dàng vào chỗ giữ chổi. Cả hai chổi các-bon phải được thay thế cùng một lúc. Chỉ sử dụng chổi các-bon giống nhau.

► **Hình59**

Hãy sử dụng một tuốc-nơ-vít để tháo các nắp giữ chổi. Hãy tháo các chổi các-bon đã bị mòn, lắp vào các chỗ mới và vận chặt các nắp giữ chổi.

► **Hình60:** 1. Nắp giữ chổi

Sau khi thay thế chổi, cắm điện dụng cụ và làm cho các chổi khít với nhau bằng cách chạy dụng cụ không tải khoảng 10 phút. Sau đó kiểm tra dụng cụ trong khi đang chạy và hoạt động của phanh điện tử khi nhà cần khởi động công tắc. Nếu phanh điện là không làm việc chính xác, hãy nhớ trung tâm dịch vụ của Makita sửa chữa dụng cụ cho bạn.

Sau khi sử dụng

Sau khi sử dụng, hãy lau sạch các phoi và mặt bám vào dụng cụ bằng vải hoặc vật liệu tương tự. Giữ cho phần bảo vệ lưới cửa luôn sạch sẽ theo các hướng dẫn trong phần có tiêu đề "Phần bảo vệ lưới cửa" đã trình bày trước đó. Bôi trơn các phần trượt bằng dầu máy để ngăn ngừa rỉ sét.

PHỤ KIỆN TỰY CHỌN

⚠ CẢNH BÁO: Những phụ tùng hoặc phụ kiện Makita này được khuyến nghị sử dụng với dụng cụ Makita của bạn được nêu rõ trong tài liệu này. Sử dụng bất kỳ phụ tùng hoặc phụ kiện nào khác cũng có thể gây thương tích cá nhân nghiêm trọng.

⚠ CẢNH BÁO: Chỉ sử dụng phụ tùng hoặc phụ kiện Makita cho mục đích đã được nêu. Sử dụng không đúng phụ tùng hoặc phụ kiện có thể gây thương tích cá nhân nghiêm trọng.

Nếu bạn cần bất kỳ sự hỗ trợ nào để biết thêm chi tiết về các phụ tùng này, hãy hỏi Trung tâm Dịch vụ của Makita tại địa phương của bạn.

- Lưới cửa bằng thép & bịt các-bua
- Bàn kẹp đứng
- Túi đựng mặt cưa
- Quy tắc tam giác
- Cờ lê sáu cạnh
- Bộ đế

LƯU Ý: Một số mục trong danh sách có thể được bao gồm trong gói dụng cụ làm phụ kiện tiêu chuẩn. Các mục này ở mỗi quốc gia có thể khác nhau.

ข้อมูลจำเพาะ

รุ่น:	LS1110F	
เส้นผ่านศูนย์กลางใบเลื่อย	ประเทศในยุโรป	260 mm
	ประเทศอื่น ๆ นอกเหนือจากยุโรป	255 mm - 260 mm
เส้นผ่านศูนย์กลางของรู	ประเทศในยุโรป	30 mm
	ประเทศอื่น ๆ นอกเหนือจากยุโรป	25.4 mm
ความหนาสูงสุดของร่องตัดของใบเลื่อย	3.2 mm	
องศาการบากสูงสุด	ซ้าย 47°, ขวา 47°	
องศามุมเอียงสูงสุด	ซ้าย 47°, ขวา 2°	
ความเร็วขณะหมุนเปล่า (RPM)	4,500 min ⁻¹	
ขนาด (ยาว x กว้าง x สูง)	745 mm x 497 mm x 565 mm	
น้ำหนักสุทธิ	16.4 kg	
มาตรฐานความปลอดภัย	回/II	





- เนื่องจากการค้นคว้าวิจัยและพัฒนาอย่างต่อเนื่อง ข้อมูลจำเพาะในเอกสารฉบับนี้อาจเปลี่ยนแปลงได้โดยไม่ต้องแจ้งให้ทราบล่วงหน้า
- ข้อมูลจำเพาะอาจแตกต่างกันไปในแต่ละประเทศ
- น้ำหนักตามข้อบังคับของ EPTA 01/2014


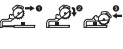



ความสามารถในการตัด (สูง x กว้าง) ด้วยใบเลื่อย เส้นผ่านศูนย์กลาง \varnothing 260 mm

องศาการบาก	องศามุมเอียง		
	45° (ซ้าย)	0°	2° (ขวา)
0°	50 mm x 310 mm	91 mm x 310 mm	85 mm x 310 mm
45° (ซ้ายและขวา)	50 mm x 220 mm	91 mm x 220 mm	-

สัญลักษณ์

ต่อไปนี้เป็นสัญลักษณ์ที่อาจใช้สำหรับอุปกรณ์ โปรดศึกษาความหมายของสัญลักษณ์ให้เข้าใจก่อนการใช้งาน

-  อ่านคู่มือการใช้งาน
-  ฉนวนสองชั้น
-  สวมแว่นตานิรภัย
-  สวมหูฟัง

-  เพื่อป้องกันการบาดเจ็บจากเศษวัสดุ กระเด็น ให้ถือเลื่อยให้ส่วนหัวอยู่ต่ำเสมอ ทั้งเมื่อตัดเสร็จจนกระทั่งใบเลื่อยหยุดสนิท
-  เมื่อทำการตัดสไลด์ ชั้นแรกให้ตั้งโครงยกจนสุดและกดมือจับลง จากนั้นจึงกดโครงยกเข้าหาฉากนำ
-  อย่าวางมือหรือนิ้วใกล้ใบเลื่อย
-  ปรับฉากสไลด์ให้อยู่ห่างจากใบเลื่อยและที่ป้องกันใบเลื่อยอย่างเหมาะสม
-  อย่าจ้องดวงไฟที่กำลังทำงานอยู่



สำหรับประเทศในสหภาพยุโรปเท่านั้น
เนื่องจากในอุปกรณ์มีส่วนประกอบอันตราย
อุปกรณ์ไฟฟ้าและอิเล็กทรอนิกส์ที่ใช้แล้ว
จึงอาจส่งผลกระทบต่อสิ่งแวดล้อมและสุขภาพของมนุษย์ในเชิงลบ
อย่างไร้เครื่องใช้ไฟฟ้าและอิเล็กทรอนิกส์
ร่วมกับวัสดุเหลือทิ้งในครัวเรือน!
เพื่อให้เป็นไปตามกฎระเบียบของยุโรป
ว่าด้วยขยะจำพวกอุปกรณ์ไฟฟ้าและ
อิเล็กทรอนิกส์ รวมถึงการบังคับใช้ตาม
กฎหมายภายในประเทศ ควรมีการจัดเก็บ
อุปกรณ์ไฟฟ้าและอิเล็กทรอนิกส์ที่ใช้แล้ว
แยกต่างหากและส่งไปยังจุดรับขยะต่าง
หากในเขตเทศบาลซึ่งมีการดำเนินการตาม
ระเบียบว่าด้วยการดูแลสิ่งแวดล้อม
โดยระบุด้วยสัญลักษณ์เส้นคาดขวางรูปถัง
ขยะแบบมีล้อไว้บนอุปกรณ์

จุดประสงค์การใช้งาน

เครื่องมือนี้มีจุดประสงค์เพื่อใช้ตัดไม้แบบตรงและแบบ
บากได้อย่างแม่นยำ ใบเลื่อยที่เหมาะสมสามารถใช้เลื่อย
อะลูมิเนียมได้ด้วย สำหรับรายละเอียด โปรดดูที่ส่วนการ
ใช้งาน

แหล่งจ่ายไฟ

ควรเชื่อมต่อเครื่องมือกับแหล่งจ่ายไฟที่มีแรงดันไฟฟ้า
ตามที่ระบุไว้ในป้ายข้อมูลของเครื่องมือ และจะต้องใช้
ไฟฟ้ากระแสสลับแบบเฟสเดียวเท่านั้น อุปกรณ์นี้ได้รับการ
หุ้มฉนวนสองชั้นและสามารถใช้กับปลั๊กไฟที่ไม่มีสายดินได้

คำเตือนด้านความปลอดภัย

คำเตือนด้านความปลอดภัยของเครื่องมือไฟฟ้า ทั่วไป

⚠ คำเตือน อ่านคำเตือนด้านความปลอดภัย คู่มือ ภาพ
และข้อมูลจำเพาะที่มีมาให้พร้อมกับเครื่องมือไฟฟ้านี้ หาก
ไม่ปฏิบัติตามคำเตือนทั้งหมดด้านล่างนี้อาจส่งผลให้เกิดไฟ
ช็อต ไฟไหม้ และ/หรือได้รับบาดเจ็บสาหัสได้

เก็บรักษาคำเตือนและคำแนะนำทั้งหมดไว้

เป็นข้อมูลอ้างอิงในอนาคต

คำว่า “เครื่องมือไฟฟ้า” ในคำเตือนนี้หมายถึงเครื่องมือ
ไฟฟ้า (มีสาย) ที่ทำงานโดยใช้กระแสไฟฟ้าหรือเครื่องมือ
ไฟฟ้า (ไร้สาย) ที่ทำงานโดยใช้แบตเตอรี่

ความปลอดภัยของพื้นที่ทำงาน

1. ดูแลพื้นที่ทำงานให้มีความสะอาดและมีแสงไฟสว่าง
พื้นที่ที่รกรากหรือมีเศษหรือมีที่บอบช้ำนำไปสู่การเกิด
อุบัติเหตุได้
2. อย่าใช้งานเครื่องมือไฟฟ้าในสภาพที่อาจเกิดการ
ระเบิด เช่น ในสถานที่ที่มีของเหลว ก๊าซ หรือฝุ่นผงที่
มีคุณสมบัติไวไฟ เครื่องมือไฟฟ้าอาจสร้างประกายไฟ
และจุดชนวนฝุ่นผงหรือก๊าซดังกล่าว
3. ดูแลไม่ให้มีเด็ก ๆ หรือบุคคลอื่นอยู่ในบริเวณที่กำลัง
ใช้เครื่องมือไฟฟ้า การมีสิ่งรบกวนสมาธิอาจทำให้คุณ
สูญเสียการควบคุม

ความปลอดภัยด้านไฟฟ้า

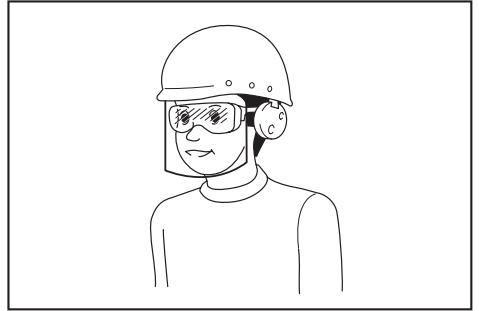
1. ปลั๊กของเครื่องมือไฟฟ้าต้องพอดีกับเต้ารับ อย่า
ดัดแปลงปลั๊กไม่ว่ากรณีใดๆ อย่าใช้ปลั๊กอะแดปเตอร์
กับเครื่องมือไฟฟ้าที่ต่อสายดิน ปลั๊กที่ไม่ถูกดัดแปลง
และเต้ารับที่เข้ากันพอดีจะช่วยลดความเสี่ยงของการ
เกิดไฟฟ้าช็อต
2. ระวังอย่าให้ร่างกายสัมผัสกับพื้นผิวที่ต่อสายดิน เช่น
ท่อ เครื่องนำความร้อน เตาหุงต้ม และตู้เย็น มีความ
เสี่ยงที่จะเกิดไฟฟ้าช็อตสูงขึ้น หากร่างกายของคุณ
สัมผัสกับพื้น
3. อย่าให้เครื่องมือไฟฟ้าถูกน้ำหรืออยู่ในสภาพเปียกชื้น
น้ำที่ไหลเข้าไปในเครื่องมือไฟฟ้าจะเพิ่มความเสี่ยง
ของการเกิดไฟฟ้าช็อต
4. อย่าใช้สายไฟอย่างไม่เหมาะสม อย่าใช้สายไฟเพื่อ
ยก ดึง หรือถอดปลั๊กเครื่องมือไฟฟ้า เก็บสายไฟให้
ห่างจากความร้อน น้ำมัน ของมีคม หรือชิ้นส่วนที่
เคลื่อนที่ สายที่ชำรุดหรือพันกันจะเพิ่มความเสี่ยง
ของการเกิดไฟฟ้าช็อต
5. ขณะที่ใช้งานเครื่องมือไฟฟ้านอกอาคาร ควรใช้สาย
ต่อพ่วงที่เหมาะสมกับงานภายนอกอาคาร การใช้สาย
ที่เหมาะสมกับงานภายนอกอาคารจะลดความเสี่ยง
ของการเกิดไฟฟ้าช็อต
6. หากต้องใช้งานเครื่องมือไฟฟ้าในสถานที่เปียกชื้น ให้
ใช้อุปกรณ์ป้องกันกระแสไฟรั่ว (RCD) การใช้ RCD
จะลดความเสี่ยงของการเกิดไฟฟ้าช็อต
7. แนะนำให้ใช้แหล่งจ่ายไฟผ่าน RCD ที่มีกระแสไฟรั่ว
ในอัตราไม่เกิน 30 mA เสมอ
8. เครื่องมือไฟฟ้าอาจสร้างสนามแม่เหล็ก (EMF) ที่ไม่
เป็นอันตรายต่อผู้ใช้ อย่างไรก็ตาม ผู้ใช้ที่ใส่เครื่อง
กระตุ้นหัวใจและอุปกรณ์ทางการแพทย์ที่คล้ายกันนี้
ควรติดต่อผู้ผลิตอุปกรณ์และ/หรือแพทย์เพื่อรับคำ
แนะนำก่อนใช้งานเครื่องมือไฟฟ้านี้
9. อย่าจับปลั๊กไฟด้วยมือที่เปียก

- หากสายไฟชำรุด โปรดให้ผู้ผลิตหรือตัวแทนของผู้ผลิตเปลี่ยนให้ เพื่อหลีกเลี่ยงอันตราย

ความปลอดภัยส่วนบุคคล

- ให้ระมัดระวังและมีสติอยู่เสมอขณะใช้งานเครื่องมือไฟฟ้า อย่าใช้งานเครื่องมือไฟฟ้าในขณะที่คุณกำลังเหนื่อย หรือในสภาพที่มันมาจากยาเสพติด เครื่องดื่ม ต้ม แอลกอฮอล์ หรือการเข้ายา ช่วงเวลาที่ขาดความระมัดระวังเมื่อกำลังใช้งานเครื่องมือไฟฟ้าอาจทำให้ได้รับบาดเจ็บร้ายแรง
- ใช้อุปกรณ์ป้องกันส่วนบุคคล สวมแว่นตาป้องกันเสมอ อุปกรณ์ป้องกัน เช่น หน้ากากกันฝุ่น รองเท้านิรภัย กันลื่น หมวกนิรภัย หรือเครื่องป้องกันการได้ยินที่ใช้ในสภาพที่เหมาะสมจะช่วยลดการบาดเจ็บ
- ป้องกันไม่ให้เกิดการเปิดใช้งานโดยไม่ตั้งใจ ตรวจสอบให้แน่ใจว่าสวิตช์ปิดอยู่ก่อนที่จะเชื่อมต่อกับแหล่งจ่ายไฟ และ/หรือชุดแบตเตอรี่ รวมทั้งตรวจสอบก่อนการยกหรือเคลื่อนย้ายเครื่องมือ การถอดนิ้วมือบริเวณสวิตช์เพื่อถือเครื่องมือไฟฟ้า หรือการชาร์จไฟเครื่องมือไฟฟ้าในขณะที่เปิดสวิตช์อยู่อาจนำไปสู่การเกิดอุบัติเหตุ
- นำกฎความปลอดภัยหรือประแจออกก่อนที่จะเปิดเครื่องมือไฟฟ้า ประแจหรือกฎแจที่เสียบค้างอยู่ในชิ้นส่วนที่หมุนได้ของเครื่องมือไฟฟ้าอาจทำให้ได้รับบาดเจ็บ
- อย่าทำงานในระยะที่สูดเอื้อม จัดท่ากรงยืนและการทรงตัวให้เหมาะสมตลอดเวลา เพราะจะทำให้ควบคุมเครื่องมือไฟฟ้าได้ดีขึ้นในสถานการณ์ที่ไม่คาดคิด
- แต่งกายให้เหมาะสม อย่าสวมเครื่องแต่งกายที่หลวมเกินไป หรือสวมเครื่องประดับ ดูแลไม่ให้เส้นผมและเสื้อผ้าอยู่ใกล้ชิ้นส่วนที่เคลื่อนที่ เสื้อผ้า ร่ม ร่ม เครื่องประดับ หรือผมที่มีความยาวอาจเข้าไปติดในชิ้นส่วนที่เคลื่อนที่
- หากมีการจัดอุปกรณ์สำหรับดูดและจัดเก็บฝุ่นไว้ในสถานที่ ให้ตรวจสอบว่าได้เชื่อมต่อและใช้งานอุปกรณ์นั้นอย่างเหมาะสม การใช้เครื่องดูดและจัดเก็บฝุ่นจะช่วยลดอันตรายที่เกิดจากฝุ่นผงได้
- อย่าให้ความคุ้นเคยจากการใช้งานเครื่องมือเป็นประจําทำให้คุณทำตัวตามสบายและละเลยหลักการเพื่อความปลอดภัยในการใช้เครื่องมือ การกระทำที่ไม่ระมัดระวังอาจทำให้เกิดการบาดเจ็บร้ายแรงภายในเสี้ยววินาที

- สวมใส่แว่นครอบตานิรภัยเพื่อปกป้องดวงตาของคุณจากการบาดเจ็บเมื่อใช้เครื่องมือไฟฟ้า แว่นครอบตาจะต้องได้มาตรฐาน ANSI Z87.1 ในสหรัฐอเมริกา, EN 166 ในยุโรป หรือ AS/NZS 1336 ในออสเตรเลีย/นิวซีแลนด์ ในออสเตรเลีย/นิวซีแลนด์ จะต้องสวมเกราะป้องกันใบหน้าเพื่อปกป้องใบหน้าของคุณอย่างถูกต้องตามกฎหมายด้วย



ผู้ว่าจ้างมีหน้าที่รับผิดชอบในการบังคับผู้ใช้งานเครื่องมือและบุคคลอื่น ๆ ที่อยู่ในบริเวณที่ปฏิบัติงานให้ใช้อุปกรณ์ป้องกันที่เหมาะสม

การใช้และดูแลเครื่องมือไฟฟ้า

- อย่าฝืนใช้เครื่องมือไฟฟ้า ใช้เครื่องมือไฟฟ้าที่เหมาะสมกับการใช้งานของคุณ เครื่องมือไฟฟ้าที่เหมาะสมจะทำให้ได้งานที่มีประสิทธิภาพและปลอดภัยกว่าตามขีดความสามารถของเครื่องที่ได้รับการออกแบบมา
- อย่าใช้เครื่องมือไฟฟ้า หากสวิตช์ไม่สามารถเปิดปิดได้ เครื่องมือไฟฟ้าที่ควบคุมด้วยสวิตช์ไม่ได้เป็นสิ่งอันตรายและต้องได้รับการซ่อมแซม
- ถอดปลั๊กจากแหล่งจ่ายไฟ และ/หรือชุดแบตเตอรี่ออกจากเครื่องมือไฟฟ้าก่อนทำการปรับตั้ง เปลี่ยนอุปกรณ์เสริม หรือจัดเก็บเครื่องมือไฟฟ้า วิธีการป้องกันด้านความปลอดภัยดังกล่าวจะช่วยลดความเสี่ยงในการเปิดใช้งานเครื่องมือไฟฟ้าโดยไม่ตั้งใจ
- จัดเก็บเครื่องมือไฟฟ้าที่ไม่ได้ใช้งานให้ห่างจากมือเด็ก และอย่าอนุญาตให้บุคคลที่ไม่คุ้นเคยกับเครื่องมือไฟฟ้าหรือคำแนะนำเหล่านี้ใช้งานเครื่องมือไฟฟ้า เครื่องมือไฟฟ้าจะเป็นอันตรายเมื่ออยู่ในมือของผู้ที่ไม่ได้รับการฝึกอบรม

- บำรุงรักษาเครื่องมือไฟฟ้าและอุปกรณ์เสริม ตรวจสอบประกอบที่ไม่ถูกต้องหรือการเชื่อมต่อนของชิ้นส่วนที่เคลื่อนที่ การแตกหักของชิ้นส่วนหรือสภาพอื่น ๆ ที่อาจส่งผลกระทบต่อการทำงานของเครื่องมือไฟฟ้า หากมีความเสียหาย ให้นำเครื่องมือไฟฟ้าไปซ่อมแซมก่อนการใช้งาน อุบัติเหตุจำนวนมากเกิดจากการดูแลรักษาเครื่องมือไฟฟ้าอย่างไม่ถูกต้อง
- ทำความเข้าใจกับเครื่องมือนัดและลับให้คมอยู่เสมอ เครื่องมือการตัดที่มีการดูแลอย่างถูกต้องและมีขอบการตัดคมมักจะมีปัญหาติดขัดน้อยและควบคุมได้ง่ายกว่า
- ใช้เครื่องมือไฟฟ้า อุปกรณ์เสริม และวัสดุสิ้นเปลือง ฯลฯ ตามคำแนะนำดังกล่าว พิจารณาสภาพการทำงานและงานที่จะลงมือทำ การใช้เครื่องมือไฟฟ้าเพื่อทำงานอื่นนอกเหนือจากที่กำหนดไว้อาจทำให้เกิดอันตราย
- ดูแลมีดจับและบริเวณมีดจับให้แห้ง สะอาด และไม่มีน้ำมันและจาระบีเปื้อน มีดจับและบริเวณมีดจับที่ลื่นจะทำให้ไม่สามารถจับและควบคุมเครื่องมือได้อย่างปลอดภัยในสถานการณ์ที่ไม่คาดคิด
- ขณะใช้งานเครื่องมือ อย่าสวมใส่ถุงมือผ้าที่อาจเข้าไปติดในเครื่องมือได้ หากถุงมือผ้าเข้าไปติดในชิ้นส่วนที่กำลังเคลื่อนที่อยู่อาจทำให้ได้รับบาดเจ็บ

การซ่อมบำรุง

- นำเครื่องมือไฟฟ้าเข้ารับบริการจากช่างซ่อมที่ผ่านการรับรองโดยใช้อะไหล่แบบเดียวกันเท่านั้น เพราะจะทำให้การใช้เครื่องมือไฟฟ้ามีความปลอดภัย
- ปฏิบัติตามคำแนะนำในการหล่อลื่นและการเปลี่ยนอุปกรณ์เสริม

คำแนะนำเพื่อความปลอดภัยสำหรับเครื่องเลื่อยองศาแบบสไลด์

- เครื่องเลื่อยองศาแบบสไลด์ใช้สำหรับตัดไม้หรือวัสดุที่คล้ายไม้ ไม่สามารถใช้กับล้อตัดแบบขัดสำหรับตัดวัสดุประเภทเหล็ก เช่น แท่งโลหะ ก้านโลหะ สลัก ฯลฯ ฝุ่นจากการขัดทำให้ชิ้นส่วนหมุน เช่น ที่ป้องกันด้านล่าง ติดขัด ประกายไฟจากการตัดโดยการขัดจะทำให้ที่ป้องกันด้านล่าง ช่องร่องตัด และชิ้นส่วนพลาสติกอื่นๆ ไหม้
- ใช้ที่หนีบยึดจับชิ้นงานเสมอ ถ้าจับชิ้นงานด้วยมือ ต้องให้มืออยู่ห่างจากใบเลื่อยแต่ละด้านอย่างน้อย 100 มม. อย่าใช้เลื่อยนี้ตัดชิ้นงานที่มีขนาดเล็กเกินไปที่จะจับให้แน่นด้วยที่หนีบหรือจับด้วยมือ ถ้าวงมือโกสไลบเลื่อยเกินไป อาจเพิ่มความเสี่ยงที่จะได้รับบาดเจ็บจากการสัมผัสใบเลื่อย
- ชิ้นงานจะต้องมีความมั่นคง และยึดจับหรือประคองให้ชิดกับฉากกันและโต๊ะ อย่างนำชิ้นงานเข้าไปใบเลื่อยหรือตัด "ด้วยมือเปล่า" ไม้ว่าววีทีเค็ตาม ชิ้นงานที่ไม่มั่นคงหรือเคลื่อนที่ไปมาอาจเหวี่ยงออกด้วยความเร็วสูงซึ่งทำให้ได้รับบาดเจ็บได้
- ดันเลื่อยออกจากตัวเพื่อตัดผ่านชิ้นงาน อยู่ตั้งเลื่อยเข้าหาตัวเพื่อตัดผ่านชิ้นงาน วิธีการตัด ให้ยกหัวเลื่อยและตั้งขึ้นเหนือชิ้นงานโดยยังไม่ทำการตัด เปิดมอเตอร์ กดหัวเลื่อยลงและดันเลื่อยออกจากตัวเพื่อตัดผ่านชิ้นงาน การตัดโดยการดึงเข้ามีแนวโน้มที่จะทำให้ใบเลื่อยปั่นขึ้นบนชิ้นงานและเหวี่ยงส่วนประกอบใบเลื่อยเข้าหาผู้ปฏิบัติงานอย่างรุนแรง
- อย่าวางมือพาดบนแนวการตัดไม่ว่าจะด้านหน้าหรือด้านหลังใบเลื่อย การจับชิ้นงานแบบ "วางมือพาด" เช่น การจับชิ้นงานให้ตรงกับใบเลื่อยด้วยมือซ้ายหรือมือขวาก็ตามนั้นอันตรายมาก

▶ หมายเลข 1

- อย่านำมือเข้าใกล้ด้านหลังฉากกันเกินกว่า 100 มม จากทั้งสองด้านของใบเลื่อยเพื่อนำเศษไม้ ออก หรือเพื่อเหตุผลอื่นๆ ในขณะที่ใบเลื่อยยังหมุนอยู่ ใบเลื่อยอาจหมุนเข้าใกล้มือของคุณโดยไม่รู้ตัวและอาจทำให้คุณได้รับบาดเจ็บสาหัสได้
- ตรวจสอบชิ้นงานก่อนการตัด ถ้าชิ้นงานโค้งหรืออให้ยึดโดยให้ส่วนโค้งด้านนอกหันเข้าหาฉากกัน ตรวจสอบให้แน่ใจเสมอว่าไม่มีช่องว่างระหว่างชิ้นงาน ฉากกัน และโต๊ะตลอดแนวการตัด ชิ้นงานที่โค้งหรือออาจบิดหรือเคลื่อนที่ และอาจทำให้ใบเลื่อยที่กำลังหมุนติดขณะตัด ไม่ควรมีตะปูหรือวัตถุแปลกปลอมในชิ้นงาน
- อย่าใช้งานเลื่อยจนกว่าจะนำเครื่องมือ เศษไม้ ฯลฯ ออกจากบนโต๊ะให้หมด และเหลือเฉพาะชิ้นงาน เศษวัสดุชิ้นเล็กๆ หรือชิ้นส่วนของไม้หรือวัตถุอื่นๆ ที่สัมผัสกับใบเลื่อยที่กำลังหมุนอาจถูกเหวี่ยงออกด้วยความเร็วสูง
- ตัดชิ้นงานเพียงครั้งละชิ้นเท่านั้น ชิ้นงานที่วางซ้อนกันหลายชิ้นอาจทำให้ไม่สามารถจับหรือยึดได้ดีพอ และอาจเข้าไปติดกับใบเลื่อยหรือเคลื่อนที่ขณะตัด

10. ตรวจสอบให้แน่ใจว่าติดตั้งหรือวางเครื่องเลื่อยของคาแบบสไลด์บนพื้นผิวสำหรับการทำงานที่ราบเรียบและมั่นคงก่อนใช้งาน พื้นผิวสำหรับการทำงานที่ราบเรียบและมั่นคงช่วยลดความเสี่ยงที่เครื่องเลื่อยของคาแบบสไลด์จะโยกคลอน
 11. วางแผนการทำงาน ทุกครั้งที่คุณเปลี่ยนการตั้งค่าองศามุมเอียงหรือมุมปาก ตรวจสอบให้แน่ใจว่าได้ปรับตั้งฉากกันแบบปรับได้เพื่อรองรับชิ้นงานอย่างถูกต้องแล้ว และจะไม่กีดขวางใบเลื่อยหรือระบบป้องกันก่อน "เปิด" เครื่องมือและวางชิ้นงานบนโต๊ะ ให้ลองเลื่อนใบเลื่อยจำลองการตัด เพื่อตรวจสอบให้แน่ใจว่าจะไม่มีการกีดขวางหรืออันตรายจากการตัดโดนฉากกัน
 12. จัดเตรียมที่รองให้เพียงพอ เช่น โต๊ะต่อ ม้าตั้ง ชลข สำหรับชิ้นงานที่มีขนาดกว้างกว่าหรือยาวกว่าหน้าโต๊ะ ชิ้นงานที่มีขนาดยาวกว่าหรือกว้างกว่าโต๊ะวางเครื่องเลื่อยของคาแบบสไลด์อาจจะคว่ำลงมาได้ถ้าไม่รองอย่างดี ถ้าชิ้นส่วนที่ตัดแล้วหรือชิ้นงานคว่ำลงมา อาจทำให้ที่ป้องกันด้านล่างยกขึ้นหรือถูกใบเลื่อยที่หมุนอยู่เหยียดออกมา
 13. อย่าให้บุคคลอื่นรองรับชิ้นงานแทนโต๊ะต่อหรือรองรับเพิ่มจากโต๊ะต่อ การรองรับชิ้นงานที่ไม่มั่นคงอาจทำให้ใบเลื่อยติดขัดหรือชิ้นงานเคลื่อนที่ระหว่างดำเนินการตัดซึ่งจะดึงคุณและผู้ช่วยเข้าหาใบเลื่อยที่กำลังหมุนอยู่
 14. ชิ้นส่วนที่ตัดแล้วจะต้องไม่เข้าไปติดหรือกีดกับใบเลื่อยที่กำลังหมุนอยู่เด็ดขาด ถ้ามีการจำกัด เช่น การใช้เครื่องกำหนดความยาว ชิ้นส่วนที่ตัดอาจถูกบีบอัดกับไม้เลื่อยและถูกเหวี่ยงออกอย่างรุนแรง
 15. ใช้ที่หนีบหรือที่ยึดที่ออกแบบมาเพื่อจับยึดวัสดุทรงกลมเช่น แท่งเหล็กหรือท่อ โดยเฉพาะเสมอ มีแนวโน้มว่าแท่งเหล็กอาจหมุนขณะกำลังตัดซึ่งจะทำให้ใบเลื่อย "ติด" และดึงชิ้นงานและมือของคุณเข้าไปในใบเลื่อยได้
 16. ปลดปล่อยใบเลื่อยหมุนที่ความเร็วสูงสุดก่อนสัมผัสกับชิ้นงาน ซึ่งจะช่วยลดความเสี่ยงที่ชิ้นงานจะถูกเหวี่ยงออก
 17. ถ้าชิ้นงานหรือใบเลื่อยติด ให้ปิดเครื่องเลื่อยของคา รอจนกระทั่งชิ้นส่วนทั้งหมดหยุดและถอดปลั๊กจากแหล่งจ่ายไฟ และ/หรือ ถอดชุดแบตเตอรี่ออก จากนั้นจัดการนำวัสดุที่ติดใบเลื่อยออก การเลื่อยต่อในขณะที่มีชิ้นงานติดอยู่อาจทำให้เสียการควบคุมหรือทำให้เครื่องเลื่อยของคาเสียหายได้
 18. หลังตัดเสร็จแล้ว ให้ปล่อยสวิตช์ กัดหัวเลื่อยลง และรอจนกระทั่งใบเลื่อยหยุดหมุนก่อนที่จะนำชิ้นส่วนที่ตัดแล้วออกมา การนำมือเข้าใกล้ใบเลื่อยที่กำลังหมุนเป็นอันตราย
 19. ให้จับมือจับให้แน่นเมื่อทำการตัดที่ยังไม่สมบูรณ์ หรือเมื่อปล่อยสวิตช์ก่อนที่หัวเลื่อยจะอยู่ในตำแหน่งลง การหยุดการทำงานของเลื่อยอาจทำให้หัวเลื่อยถูกดึงลงด้านล่างกะทันหันซึ่งมีความเสี่ยงที่จะทำให้ได้รับบาดเจ็บได้
 20. ใช้ใบเลื่อยที่มีเส้นผ่านศูนย์กลางตามที่เครื่องหมายไว้บนเครื่องมือหรือระบุไว้ในคู่มือเท่านั้น การใช้ใบเลื่อยที่มีขนาดไม่ถูกต้องอาจส่งผลกระทบต่อป้องกันใบเลื่อยที่เหมาะสมหรือการทำงานของอุปกรณ์ป้องกันซึ่งอาจส่งผลให้เกิดการบาดเจ็บสาหัส
 21. ใช้ใบเลื่อยที่มีความเร็วที่กำหนดบนใบเลื่อยเท่ากับหรือมากกว่าความเร็วที่กำหนดบนเครื่องมือเท่านั้น
 22. อย่าใช้เลื่อยเพื่อตัดสิ่งอื่น ๆ นอกจากวัสดุที่ระบุ
 23. (สำหรับประเทศในยุโรปเท่านั้น)
ใช้ใบเลื่อยที่สอดคล้องตามมาตรฐาน EN847-1 เสมอ หากใช้ตัดไม้หรือวัสดุที่คล้ายคลึงกัน
- คำแนะนำเพิ่มเติม
1. ลือคฤงญแห่งห้องปฏิบัติงานเพื่อกันเด็กเข้า
 2. อพยยีนบนเครื่องมือเด็ดขาด หากเครื่องมือล้มลงหรือสัมผัสกับเครื่องมือตัดโดยไม่ได้ตั้งใจอาจทำให้ได้รับบาดเจ็บสาหัสได้
 3. อย่าปล่อยให้เครื่องมือทำงานโดยไม่มีผู้ดูแลเด็ดขาด ปิดเครื่อง อย่าปล่อยให้เครื่องมือทิ้งไว้จนกว่าเครื่องมือจะหยุดทำงานสนิท
 4. อย่าใช้เลื่อยโดยที่ป้องกันไม่อยู่กับที่ ตรวจสอบให้ที่ป้องกันใบเลื่อยปิดอยู่ในตำแหน่งที่เหมาะสมก่อนการใช้งานทุกครั้ง อย่าใช้งานเลื่อยหากที่ป้องกันใบเลื่อยไม่สามารถเคลื่อนที่ได้อย่างอิสระและปิดในทันที อย่าหนีบหรือผูกที่ป้องกันใบเลื่อยไว้ในตำแหน่งปิดค้างไว้
 5. อย่าเอามือไปไว้ในแนวใบเลื่อย อย่าสัมผัสใบเลื่อยที่กำลังหมุนอยู่ เนื่องจากอาจทำให้ได้รับบาดเจ็บสาหัสได้
 6. เพื่อลดความเสี่ยงจากการบาดเจ็บ ให้นำโครยกกลับไปไว้ที่ตำแหน่งหลังสุดหลังการตัดแต่ละครั้ง
 7. ยึดส่วนที่เคลื่อนที่ได้ทั้งหมดก่อนยกเครื่องมือ
 8. เชื่อมสต่อเปอร์หรือก้านสต่อเปอร์ซึ่งลอคหัวเลื่อยลง มีไว้สำหรับการเคลื่อนย้ายและการจัดเก็บเท่านั้น และไม่ได้มีไว้สำหรับการทำงานตัด

9. ตรวจสอบใบเลื่อยอย่างละเอียดว่ามีรอยร้าวหรือความเสียหายหรือไม่ก่อนการใช้งาน เปลี่ยนใบเลื่อยที่ร้าวหรือเสียหายทันที ยางไม้เหนียวและยางที่แข็งตัวอยู่บนใบเลื่อยจะทำให้เลื่อยหมุนช้าลงและเพิ่มโอกาสในการติดกลับ รักษาความสะอาดของใบเลื่อยโดยเริ่มจากถอดใบเลื่อยออกจากเครื่องมือ แล้วทำความสะอาดด้วยน้ำยากำจัดยางไม้ น้ำร้อน หรือน้ำมันก๊าด ห้ามใช้น้ำมันเชื้อเพลิงในการทำความสะอาดใบเลื่อยเด็ดขาด
10. ในขณะที่ทำการตัดสไลด์ อาจเกิดการติดกลับ การติดกลับจะเกิดขึ้นเมื่อใบเลื่อยติดอยู่กับชิ้นงานระหว่างทำการตัด ใบเลื่อยจะถูกขับเคลื่อนพุ่งเข้าหาผู้ปฏิบัติงานอย่างรวดเร็ว ซึ่งอาจทำให้สูญเสียการควบคุมและได้รับบาดเจ็บสาหัสได้ หากใบเลื่อยติดระหว่างทำการตัด อย่าพยายามตัดต่อและให้ปล่อยสวิตช์ทันที
11. ใช้แต่แกนสำหรับเครื่องมือนี้เท่านั้น
12. ระวังอย่าให้เพลาลेื่อย หน้าแปลน (โดยเฉพาะอย่างยิ่งพื้นผิวสำหรับติดตั้ง) หรือสลักเกลียวเสียหาย หากส่วนต่างๆ เหล่านี้เสียหายอาจเป็นสาเหตุให้ใบเลื่อยเสียหายได้
13. ตรวจสอบให้แน่ใจว่าได้ยึดฐานหมุนอย่างแน่นหนา เพื่อให้ไม่เคลื่อนที่ในระหว่างการทำงาน ใช้รูที่ฐานเครื่องเพื่อยึดเลื่อยกับแท่นทำงานหรือม้านั่งที่มีน๊อต ห้ามใช้เครื่องมือโดยที่ผู้ปฏิบัติงานอยู่ในตำแหน่งที่ทำงานไม่ถนัด
14. ตรวจสอบให้แน่ใจว่าได้ปล่อยล็อกกันก่อนที่จะเปิดสวิตช์
15. โปรดตรวจสอบให้แน่ใจว่าใบเลื่อยไม่สัมผัสกับฐานหมุนในจุดที่ต่ำที่สุด
16. จับมือจับให้แน่น โปรดระมัดระวังเนื่องจากใบเลื่อยจะเลื่อนขึ้นหรือลงเล็กน้อยในระหว่างที่เริ่มและหยุดทำงาน
17. ตรวจสอบให้แน่ใจว่าใบเลื่อยไม่ได้สัมผัสกับชิ้นงานอยู่ก่อนเปิดสวิตช์
18. ก่อนที่จะใช้เครื่องมือบนชิ้นงานจริง ปล่อยให้เครื่องมือทำงานเปล่าๆ สักครู่ ดูการสั่นสะเทือนหรือการคลอนแคลนที่อาจแสดงถึงการใส่และความสมดุลของใบเลื่อยที่ไม่ดีพอ
19. หยุดทำงานทันทีหากคุณพบว่ามีความผิดปกติ
20. อย่าพยายามล็อกสวิตช์สั่งงานให้อยู่ในตำแหน่ง “เปิด”
21. ใช้แต่อุปกรณ์เสริมที่แนะนำในคู่มือการใช้งานนี้เท่านั้น การใช้อุปกรณ์เสริมที่ไม่เหมาะสม เช่น วงล้อแบบขัด อาจทำให้ได้รับบาดเจ็บได้

22. วัสดุบางอย่างอาจมีสารเคมีที่เป็นพิษ ระวังอย่าสูดดมฝุ่นหรือสัมผัสกับผิวหนัง ปฏิบัติตามข้อมูลด้านความปลอดภัยของผู้ผลิตวัสดุ

กฎเพิ่มเติมด้านความปลอดภัยสำหรับดวงไฟที่กำลังทำงานอยู่

1. อย่ามองเข้าไปในดวงไฟหรือจ้องดูแหล่งกำเนิดแสงโดยตรง

ปฏิบัติตามคำแนะนำเหล่านี้

⚠ คำเตือน: อย่าให้ความไม่ระมัดระวังหรือความคุ้นเคยกับผลิตภัณฑ์ (จากการใช้งานซ้ำหลายครั้ง) อยู่เหนือการปฏิบัติตามกฎเกณฑ์ด้านความปลอดภัยในการใช้งานผลิตภัณฑ์อย่างเคร่งครัด การใช้งานอย่างไม่เหมาะสมหรือการไม่ปฏิบัติตามกฎเกณฑ์ด้านความปลอดภัยในคู่มือการใช้งานนี้อาจทำให้ได้รับบาดเจ็บร้ายแรง

คำอธิบายชิ้นส่วนต่างๆ

▶ หมายเลข 2

1	สกรูปรับ (สำหรับตำแหน่งจำกัดด้านล่าง)	2	แขนสต็อปเปอร์	3	ถุงดักฝุ่น	4	สกรูหางแบน (สำหรับเลื่อนโครงยก)
5	ตัวซี (สำหรับบองคามูมเอียง)	6	สเกลองคามูมเอียง	7	เสาไลต์	8	ตัวหนีบแนวตั้ง
9	ฉากสไลด์	10	สลักเกลียวปรับ 0° (สำหรับบองคามูมเอียง)	11	ฉากหน้า	12	ฐานรอง
13	ฐานหมุน	14	สเกลองคามูมบาก	15	ตัวซี (สำหรับบองคามูมบาก)	16	แผ่นร่องตัด
17	สลักเกลียวปรับ (สำหรับฐานหมุน)	18	ก้านลีด (สำหรับฐานหมุน)	19	ด้ามจับ (สำหรับฐานหมุน)	20	ที่ป้องกันแบบเก็บฝุ่น
21	ที่ป้องกันใบเลื่อย	22	ดวงไฟ	23	มือจับ (สำหรับการใช้งาน)	24	สวิทช์สั่งงาน
25	รูสำหรับกุญแจสายยู	26	ปุ่มปลดลีด	27	มือจับขนย้าย	-	-

▶ หมายเลข 3

1	สวิทช์ไฟ	2	ลีดก้าน	3	สลักเกลียวปรับ (สำหรับความสามารถการตัดสูงสุด)	4	เข็มสต็อปเปอร์ (สำหรับการยกโครงยก)
5	แผ่นตั้ง	6	ประแจหกเหลี่ยม	7	สลักเกลียวปรับ 45° (สำหรับบองคามูมเอียง)	8	ก้าน (สำหรับบองคามูมเอียง)
9	ปุ่มปลดย (สำหรับบองคามูมเอียง)	-	-	-	-	-	-

การติดตั้ง

การยึดกับโต๊ะทำงาน

⚠ คำเตือน: ตรวจสอบให้แน่ใจว่าเครื่องมือไม่ขยับเขยื้อนบนพื้นผิวรองรับ การเคลื่อนไหวของแท่นเลื่อยตัดต้องสามารพันผิวรองรับระหว่างทำการตัดอาจทำให้สูญเสียการควบคุมและเกิดการบาดเจ็บร้ายแรงได้

1. ยึดฐานเข้ากับพื้นผิวที่อยู่ในระดับเดียวกันและมั่นคง จากนั้นขันยึดด้วยสลักเกลียว ซึ่งจะช่วยป้องกันไม่ให้เกิดการกระดกและการบาดเจ็บได้

▶ หมายเลข 4: 1. สลักเกลียว 2. รูที่ยึด

2. ขันสลักเกลียวปรับตามเข็มนาฬิกาเพื่อให้สัมผัสกับพื้นผิวของพื้นเพื่อให้เครื่องมือมั่นคง

▶ หมายเลข 5: 1. สลักเกลียวปรับ

คำอธิบายการทำงาน

⚠ คำเตือน: ตรวจสอบให้แน่ใจว่าได้ปิดสวิทช์เครื่องมือและถอดปลั๊กออกก่อนการปรับตั้งหรือตรวจสอบการทำงานของเครื่องมือเสมอ การไม่ปิดเครื่องมือและถอดปลั๊กอาจทำให้ได้รับบาดเจ็บเนื่องจากการเริ่มทำงานโดยไม่ได้ตั้งใจได้

ตัวล็อกมือจับ

⚠ ข้อควรระวัง: จับมือจับไว้เสมอเมื่อปลดล็อกเข็มสตอปเปอร์ มิฉะนั้นมือจับอาจดึงขึ้นและอาจก่อให้เกิดการบาดเจ็บ

เมื่อมีการเคลื่อนย้ายเครื่องมือ มือจับจะถูกล็อกในตำแหน่งที่ตำแหน่งเข็มสตอปเปอร์ การปลดล็อกมือจับ ให้ดึงเข็มสตอปเปอร์ในขณะที่ลดมือจับให้ต่ำลงเล็กน้อย

▶ **หมายเลข 6:** 1. เข็มสตอปเปอร์

การล็อกการสไลด์

เพื่อให้โครงยกสามารถเคลื่อนที่สไลด์ได้ ให้คลายสกรูหางแบนบนแกน การล็อกไม่ให้โครงยกเคลื่อนที่สไลด์ ให้ย้ายโครงยกไปยังตำแหน่งที่ต้องการ จากนั้นขันสกรูหางแบนให้แน่น

▶ **หมายเลข 7:** 1. สกรูหางแบน 2. แกน

ที่ป้องกันใบเลื่อย

⚠ คำเตือน: อย่าทำลายหรือถอดที่ป้องกันใบเลื่อยหรือสปริงที่ติดอยู่กับที่ป้องกัน ใบเลื่อยวงกลมที่เบียดออกจากการทำลายที่ป้องกันอาจส่งผลให้เกิดการบาดเจ็บสาหัสระหว่างทำงานได้

⚠ คำเตือน: อย่าใช้เครื่องมือหากที่ป้องกันใบเลื่อยหรือสปริงเสียหาย มีตำหนิ หรือถูกถอดออก การใช้งานเครื่องมือที่ป้องกันเสียหาย มีความบกพร่อง หรือถูกถอดออก อาจทำให้ได้รับบาดเจ็บสาหัสได้

⚠ ข้อควรระวัง: รักษาที่ป้องกันใบเลื่อยให้อยู่ในสภาพดีอยู่เสมอเพื่อการใช้งานที่ปลอดภัย หยุดใช้งานทันทีหากที่ป้องกันใบเลื่อยมีความผิดปกติ ตรวจสอบให้แน่ใจว่าสปริงสามารถดึงที่ป้องกันกลับได้

เมื่อลดตามจับลง ที่ป้องกันใบเลื่อยจะยกขึ้นโดยอัตโนมัติ ที่ป้องกันใบเลื่อยจะมีสปริง ดังนั้นชิ้นส่วนดังกล่าวจะกลับสู่ตำแหน่งเดิมเมื่อการตัดเสร็จสิ้นและยกตามจับขึ้น

▶ **หมายเลข 8:** 1. ที่ป้องกันใบเลื่อย

การทำความสะอาด

หากที่ป้องกันใบเลื่อยแบบใสสกปรกหรือมีฝุ่นเกาะจนมองเห็นใบเลื่อยวงกลมและ/หรือชิ้นงานได้ยาก ให้ถอดปลั๊กเครื่องมือออกและทำความสะอาดที่ป้องกันด้วยผ้าชุบน้ำอย่างระมัดระวัง อย่าใช้ตัวทำลายหรือน้ำยาทำความสะอาดที่มีส่วนผสมของปิโตรเลียมกับที่ป้องกันพลาสติก เนื่องจากอาจทำให้ที่ป้องกันเสียหายได้

ปฏิบัติตามคำแนะนำที่ละขั้นตอนที่ระบุไว้ในขั้นตอนการทำทำความสะอาด

1. ตรวจสอบให้แน่ใจว่าได้ปิดเครื่องมือและถอดปลั๊กแล้ว
2. หมุนสลักเกลียวหัวบ็อกซ์หกเหลี่ยมทวนเข็มนาฬิกาโดยใช้ประแจหกเหลี่ยมที่มีพร้อมยึดฝาครอบตรงกลางไว้
3. ยกที่ป้องกันใบเลื่อยและฝาครอบตรงกลางขึ้น
4. เมื่อทำความสะอาดเสร็จแล้ว เก็บใบเลื่อยและฝาครอบตรงกลางกลับและขันสลักเกลียวหัวบ็อกซ์หกเหลี่ยมโดยทำตามขั้นตอนด้านบนแบบย้อนกลับ

▶ **หมายเลข 9:** 1. ประแจหกเหลี่ยม 2. สลักเกลียวหัวบ็อกซ์หกเหลี่ยม 3. ฝาครอบตรงกลาง 4. ที่ป้องกันใบเลื่อย

⚠ คำเตือน: อย่าถอดสปริงที่ยึดที่ป้องกันใบเลื่อยออก ถ้าที่ป้องกันเสียหายเมื่อเวลาผ่านไปหรือเมื่อสัมผัสกับแสง UV ให้ติดต่อศูนย์บริการ Makita เพื่อเปลี่ยนใหม่ อย่าทำลายหรือถอดที่ป้องกัน

การวางตำแหน่งแผ่นรองตัด

เครื่องมือนี้มีแผ่นรองตัดในฐานหมุนเพื่อลดการสั่นสะเทือนในด้านออกของรอยตัด แผ่นรองตัดได้มีการปรับคามาจากโรงงานเพื่อให้ใบเลื่อยวงกลมสัมผัสกับแผ่นรองตัด ก่อนใช้ ให้ปรับแผ่นรองตัดดังนี้

1. ตรวจสอบให้แน่ใจว่าได้ถอดปลั๊กเครื่องมือแล้ว จากนั้นจึงคลายสกรูทุกตัว (ทางซ้ายและขวาฝั่งละสามตัว) ที่ยึดแผ่นรองตัด

▶ **หมายเลข 10:** 1. แผ่นรองตัด 2. สกรู

2. ขันกลับไปถึงระดับที่แผ่นรองตัดยังสามารถขยับได้ด้วยมืออย่างง่ายตาย
3. ลดมือจับจนสุดและล็อกไว้ที่ตำแหน่งดังกล่าวโดยใช้เข็มสตอปเปอร์

4. คลายสกรูหางแบนที่แกนซึ่งยึดไม่ให้โครงยกเคลื่อนที่ดึงโครงยกเข้าหาตัวคุณจนสุด

▶ **หมายเลข 11:** 1. สกรูหางแบน 2. แกน

5. ปรับแผ่นรองตัดเพื่อให้อยู่ใกล้กับด้านข้างของฟันเลื่อย

▶ **หมายเลข 12**

- ▶ **หมายเลข 13:** 1. ใบเลื่อยวงกลม 2. ฟันเลื่อย 3. แผ่นรองตัด 4. การตัดมุมเฉียงซ้าย 5. การตัดตรง

6. ขันสกรูหน้า (อย่าขันจนแน่น)

7. เลื่อนโครงยกลงมายู่ระหว่างปลายด้านหน้าของแผ่นร่องตัดและคาน้ำ ปรับแผ่นร่องตัดเพื่อให้ยูโกล์กับด้านข้างของฟันเลื่อย
8. ขึ้นสกรูกลาง (อย่าขันจนแน่น)
9. ดันโครงยกเข้าหาคาน้ำจนสุดแล้วปรับแผ่นร่องตัดเพื่อให้ยูโกล์กับด้านข้างของฟันเลื่อย
10. ขึ้นสกรูหลัง (อย่าขันจนแน่น)
11. ปลอยเข็มสตีปเปอร์สำหรับตัวล็อกมือจับและยกมือจับขึ้น จากนั้นขันสกรูทั้งหมดให้แน่น

ข้อสังเกต: หลังจากตั้งมุมเอียงแล้ว ตรวจสอบให้แน่ใจว่าได้ปรับแผ่นร่องตัดอย่างเหมาะสม การปรับแผ่นร่องตัดที่ถูกต้องช่วยให้มีการรองรับชิ้นงานที่เหมาะสมและลดการฉีกขาดของชิ้นงาน

การรักษาความสามารถการตัดสูงสุด

เครื่องมือนี้ได้รับการปรับแต่งมาจากโรงงานเพื่อให้มีความสามารถในการตัดสูงสุดสำหรับใบเลื่อยวงกลม 260 mm เมื่อติดตั้งใบเลื่อยวงกลมอันใหม่ ให้ตรวจสอบตำแหน่งขีดจำกัดด้านล่างของใบเลื่อยวงกลม และหากจำเป็นให้ปรับดังนี้

1. ถอดปลั๊กเครื่องมือ แล้วดันโครงยกเข้าหาคาน้ำจนสุดและลดด้ามจับลงจนสุด
2. ใช้ประแจหกเหลี่ยม (ด้านไขควง) เพื่อหมุนสลักเกลียวปรับจนกระทั่งใบเลื่อยวงกลมไหลออกมาด้านล่างส่วนที่ติดกันของคาน้ำและพื้นผิวด้านบนของฐานหมุนเล็กน้อย

▶ **หมายเลข 14:** 1. สลักเกลียวปรับ 2. คาน้ำ

▶ **หมายเลข 15**

3. หมุนใบเลื่อยวงกลมด้วยมือขณะที่จับมือจับลงจนสุดเพื่อตรวจสอบให้แน่ใจว่าใบเลื่อยวงกลมจะไม่สัมผัสกับส่วนใดส่วนหนึ่งของฐานด้านล่าง ปรับความสามารถในการตัดสูงสุดหากจำเป็น

คำเตือน: หลังจากติดตั้งใบเลื่อยวงกลมอันใหม่และถอดปลั๊กเครื่องมือออกแล้ว ตรวจสอบให้แน่ใจว่าใบเลื่อยวงกลมจะไม่สัมผัสกับส่วนใดของฐานด้านล่างเมื่อลดมือจับลงจนสุด หากใบเลื่อยวงกลมสัมผัสกับฐาน อาจทำให้เกิดการตีกลับและส่งผลให้ได้รับบาดเจ็บสาหัสได้

▶ **หมายเลข 16**

แขนสตีปเปอร์

ตำแหน่งขีดจำกัดด้านล่างของใบเลื่อยสามารถปรับได้ง่ายโดยใช้แขนสตีปเปอร์ วิธีปรับขีดจำกัดด้านล่าง ให้ยุบแขนสตีปเปอร์ในทิศทางตามลูกศรที่แสดงในภาพ หมุนสกรูปรับเพื่อให้ใบเลื่อยหยุดที่ตำแหน่งที่ต้องการเมื่อลดมือจับลงจนสุด

▶ **หมายเลข 17:** 1. แขนสตีปเปอร์ 2. สกรูปรับ

การปรับองศาการบาก

ข้อควรระวัง: หลังจากเปลี่ยนมุมบากแล้ว ให้ยึดฐานหมุนโดยการขันด้ามจับให้แน่น

ข้อสังเกต: เมื่อหมุนฐานหมุน โปรดตรวจสอบให้แน่ใจว่าได้ยกด้ามจับจนสุด

หมุนด้ามจับทวนเข็มนาฬิกาเพื่อปลดล็อกฐานหมุน หมุนด้ามจับขณะที่กดก้านล๊อคค้างไว้เพื่อยุบฐานหมุน จัดตำแหน่งตัวชี้ให้อยู่ในองศาบนสเกลมุมบากที่คุณต้องการ จากนั้นให้ขันด้ามจับให้แน่น

▶ **หมายเลข 18:** 1. ก้านล๊อค 2. ด้ามจับ 3. ตัวชี้

ฟังก์ชันหยุดตามตำแหน่ง

เครื่องมือเอียงคาน้ำมีฟังก์ชันหยุดตามตำแหน่ง คุณสามารถตั้งองศามุมบาก 0°, 15°, 22.5°, 31.6° และ 45° ทางขวา/ซ้ายได้อย่างรวดเร็ว ใช้ฟังก์ชันนี้ ให้เลื่อนฐานหมุนเข้ามาใกล้กับมุมหยุดตามตำแหน่งที่คุณต้องการในขณะที่กดก้านล๊อคค้างไว้ จากนั้นให้ปล่อยก้านล๊อค แล้วเลื่อนฐานหมุนไปยังมุมหยุดตามตำแหน่งที่คุณต้องการจนกระทั่งฐานหมุนล๊อค

การปรับมุมเอียง

ข้อควรระวัง: หลังจากเปลี่ยนองศาของมุมเอียง ให้ยึดแขนให้แน่นทุกครั้งโดยการหมุนก้านตามเข็มนาฬิกา

ข้อสังเกต: ถอดตัวหนีบแนวตั้งก่อนปรับองศาของมุมเอียงเสมอ

ข้อสังเกต: เมื่อเอียงใบเลื่อยวงกลม ตรวจสอบให้แน่ใจว่ายกโครงยกขึ้นจนสุดแล้ว

ข้อสังเกต: เมื่อเปลี่ยนมุมเอียง ตรวจสอบให้แน่ใจว่าจัดตำแหน่งแผ่นร่องตัดใหม่อย่างเหมาะสมตามที่อธิบายไว้ในส่วนการจัดตำแหน่งแผ่นร่องตัดแล้ว

ข้อสังเกต: อย่าหมุนก้านแรงงนเกินไป เนื่องจากอาจทำให้กลไกการล๊อคขององศาของมุมเอียงทำงานผิดปกติได้

การเอียงใบเลื่อยวงกลมไปทางซ้าย 0° - 45°

1. หมุนก้านทวนเข็มนาฬิกา
 2. คลายมือจับและเอียงโครงยกไปทางซ้าย
 3. จัดตำแหน่งตัวชี้ให้อยู่ในมุมบนสเกลองศามุมเอียงที่คุณต้องการ
 4. หมุนก้านตามเข็มนาฬิกาเพื่อยึดแขน
- ▶ **หมายเลข 19:** 1. ก้าน 2. มือจับ 3. ตัวชี้ 4. สเกลองศามุมเอียง

การเอียงใบเลื่อยวงกลมไปทางซ้ายเกินระยะ 0° - 45°

1. หมุนก้านทวนเข็มนาฬิกา
2. จับมือจับแล้วตั้งค่าโครงยกที่ 0° ไปทางขวา 2° หรือ 45° ไปทางซ้าย 47°
3. เอียงโครงยกไปทางด้านตรงข้ามเล็กน้อย
4. กดปุ่มปล่อย
5. เอียงโครงยกไปยังตำแหน่งซึ่งเกินระยะ 0° - 45° ตามที่คุณต้องการ
6. หมุนก้านตามเข็มนาฬิกาเพื่อยึดแขน

เมื่อเอียงโครงยกไปทางขวา 2°

- ▶ **หมายเลข 20:** 1. ก้าน 2. มือจับ 3. ปุ่มปล่อย

เมื่อเอียงโครงยกไปทางซ้าย 47°

- ▶ **หมายเลข 21:** 1. ก้าน 2. มือจับ 3. ปุ่มปล่อย

การทำงานของสวิตช์

คำเตือน: ก่อนเสียบปลั๊กเครื่องมือ ให้ตรวจสอบว่าสวิตช์สั่งงานสามารถทำงานได้อย่างถูกต้อง และกลับไปยังตำแหน่ง "ปิด" เมื่อปล่อย อย่าดึงสวิตช์สั่งงานแรงๆ โดยไม่ได้กดปุ่มล็อค การทำเช่นนี้อาจทำให้สวิตช์เสียหายได้ การใช้งานเครื่องมือด้วยสวิตช์ที่ทำงานอย่างไม่ถูกต้องอาจทำให้สูญเสียการควบคุมและทำให้ได้รับบาดเจ็บสาหัสได้

คำเตือน: ห้ามใช้เครื่องมือโดยไม่มีสวิตช์ที่สามารถใช้งานได้ เครื่องมือใดๆ ที่มีสวิตช์ที่ไม่สามารถใช้งานได้เป็นอันตรายอย่างมากและต้องทำการซ่อมแซมก่อนใช้งานต่อ หรืออาจเกิดการบาดเจ็บร้ายแรง

คำเตือน: ห้ามทำลายปุ่มปลดล๊อคโดยใช้เทปพันหรือวิธีอื่น สวิตช์ที่ปุ่มปลดล๊อคใช้ไม่ได้อาจทำให้เกิดการใช้งานโดยไม่ตั้งใจและทำให้เกิดการบาดเจ็บร้ายแรงได้

คำเตือน: ห้ามใช้เครื่องมือหากเครื่องมือสามารถทำงานได้เมื่อคุณดึงสวิตช์สั่งงานโดยไม่ได้กดปุ่มปลดล๊อค สวิตช์ที่ต้องทำการซ่อมแซมอาจทำให้เกิดการใช้งานโดยไม่ตั้งใจและทำให้เกิดการบาดเจ็บร้ายแรงได้ นำเครื่องมือส่งศูนย์บริการ Makita เพื่อการซ่อมแซมก่อนการใช้งาน

เพื่อป้องกันไม่ให้อุปกรณ์สั่งงานถูกดึงโดยไม่ตั้งใจจึงมีปุ่มล๊อคติดตั้งไว้ วิธีเริ่มใช้งานเครื่องมือ ให้กดปุ่มล๊อคแล้วดึงสวิตช์สั่งงาน ปล่อยสวิตช์สั่งงานเพื่อหยุดการทำงาน สวิตช์สั่งงานมีรูเพื่อใส่กุญแจสายยูเพื่อล๊อคเครื่องมือ

- ▶ **หมายเลข 22:** 1. สวิตช์สั่งงาน 2. ปุ่มล๊อค 3. รูสำหรับกุญแจสายยู

คำเตือน: อย่าใช้ล๊อคที่มีก้านหรือสายเคเบิลที่มีเส้นผ่านศูนย์กลางเล็กกว่า 6.35 mm ก้านหรือสายเคเบิลที่เล็กกว่าอาจไม่ล๊อคเครื่องมือในตำแหน่งปิด และอาจเกิดการเปิดใช้งานโดยไม่ตั้งใจและทำให้ได้รับบาดเจ็บสาหัสได้

การฉายแนวการตัด

⚠ ข้อควรระวัง: ดวงไฟไม่กันฝน อย่าล้างดวงไฟในน้ำหรือใช้กลางฝนหรือพื้นที่เปียก การกระทำเช่นนี้อาจทำให้เกิดไฟฟ้าช็อตและควินได้

⚠ ข้อควรระวัง: อย่าสัมผัสเส้นสีของดวงไฟเนื่องจากดวงไฟจะร้อนมากในขณะที่ไฟเปิดหรือหลังจากปิดไฟสักครู่ เนื่องจากอาจทำให้ผิวไหม้ได้

⚠ ข้อควรระวัง: อย่ากระแทกตรงดวงไฟ ซึ่งอาจทำให้ดวงไฟเสียหายหรืออายุการใช้งานสั้นลง

⚠ ข้อควรระวัง: อย่ามองเข้าไปในดวงไฟหรือจ้องดูแหล่งกำเนิดแสงโดยตรง

ไฟ LED จะฉายแสงเหนือใบเลื่อยวงกลม และเงาของใบเลื่อยจะทาบลงบนชิ้นงานเพื่อเป็นตัวชี้แนวการตัดแบบไม่ต้องการเทียบมาตรฐาน กดสวิทช์ดวงไฟเพื่อให้แสงสว่าง แนวเส้นที่ใบเลื่อยบรรจบกับพื้นผิวของชิ้นงานจะแสดงขึ้นมา และจะลึกขึ้นเมื่อกดใบเลื่อยต่ำลง

▶ **หมายเลข 23:** 1. สวิตช์ไฟ 2. ดวงไฟ 3. แนวการตัดตัวชี้ช่วยให้ตัดผ่านเส้นตัดที่มีอยู่แล้วซึ่งเขียนด้วยดินสออยู่บนชิ้นงาน

1. จับมือจับและกดใบเลื่อยวงกลมเพื่อให้เงาใบเลื่อยสีเข้มทาบทับชิ้นงาน
2. จัดตำแหน่งเส้นตัดที่วาดไว้บนชิ้นงานให้ตรงกับเงาแนวการตัด
3. ปรับองศาการบากและองศามุมเอียงหากจำเป็น

หมายเหตุ: ตรวจสอบให้แน่ใจว่าปิดสวิทช์ดวงไฟแล้วหลังใช้งาน ไม่เช่นนั้นดวงไฟอาจร้อนได้

ฟังก์ชันอิเล็กทรอนิกส์

คุณสมบัติซอฟต์แวร์

ฟังก์ชันนี้จะทำให้เครื่องมือเริ่มทำงานได้อย่างราบเรียบโดยการจำกัดแรงบิดในการเริ่มทำงาน

การประกอบ

⚠ คำเตือน: ตรวจสอบให้แน่ใจว่าเครื่องมือปิดสวิทช์อยู่และถอดปลั๊กก่อนดำเนินการใดๆ กับเครื่องมือเสมอ การไม่ปิดเครื่องมือและถอดปลั๊กเครื่องมือออกอาจทำให้ได้รับบาดเจ็บสาหัสได้

การเก็บประแจหกเหลี่ยม

เมื่อไม่ใช้งาน ให้เก็บประแจหกเหลี่ยมตามที่แสดงในภาพเพื่อไม่ให้สูญหาย

▶ **หมายเลข 24:** 1. ประแจหกเหลี่ยม

การติดตั้งหรือถอดใบเลื่อยวงกลม

⚠ คำเตือน: ตรวจสอบให้แน่ใจว่าปิดสวิทช์เครื่องมือและถอดปลั๊กออกแล้วก่อนทำการถอดและติดตั้งใบเลื่อยวงกลม การที่เครื่องมือเริ่มทำงานโดยบังเอิญอาจทำให้ได้รับบาดเจ็บสาหัสได้

⚠ คำเตือน: ใช้เฉพาะประแจของ Makita ที่มีมาให้เพื่อถอดและติดตั้งใบเลื่อยวงกลม หากไม่ใช่ประแจอาจส่งผลให้ชิ้นสลักเกลียวหัวบ็อกซ์หกเหลี่ยมแน่นเกินไปหรือหลวมเกินไปและทำให้ได้รับบาดเจ็บร้ายแรง

⚠ คำเตือน: ห้ามใช้หรือเปลี่ยนชิ้นส่วนที่ไม่ได้มีมาให้พร้อมกับเครื่องมือนี้ การใช้ชิ้นส่วนดังกล่าวอาจทำให้ได้รับบาดเจ็บสาหัสได้

⚠ คำเตือน: หลังจากติดตั้งใบเลื่อยวงกลมแล้ว ตรวจสอบให้แน่ใจว่าได้ติดตั้งอย่างแน่นหนาดีแล้ว อุบัติการณ์ต่อพ่วงของใบเลื่อยวงกลมที่หลวมอาจทำให้ได้รับบาดเจ็บสาหัสได้

การจัดเตรียมทั่วไปเพื่อติดตั้งหรือถอดใบเลื่อยวงกลม

1. ปลดลอคโครกโยกโดยการดึงเข็มสติ๊อปเปอร์ จากนั้นเคลื่อนโครกโยกขึ้น
2. คลายสลักเกลียวหกเหลี่ยมที่ยึดฝาครอบตรงกลางโดยใช้ประแจหกเหลี่ยม แล้วยกที่ป้องกันใบเลื่อยและฝาครอบตรงกลางขึ้น

▶ **หมายเลข 25:** 1. ประแจหกเหลี่ยม 2. สลักเกลียวหัวบ็อกซ์หกเหลี่ยม 3. ฝาครอบตรงกลาง 4. ที่ป้องกันใบเลื่อย

การติดตั้งใบเลื่อยวงกลม

⚠ ข้อควรระวัง: ตรวจสอบให้แน่ใจว่าได้ติดตั้งใบเลื่อยวงกลมตามทิศทางของลูกศรบนใบเลื่อยวงกลมตรงกับที่ครอบใบเลื่อย มิฉะนั้นอาจทำให้เกิดการบาดเจ็บและก่อให้เกิดความเสียหายต่อเครื่องมือและ/หรือชิ้นงาน

- ทำตามขั้นตอนใน “การจัดเตรียมทั่วไปเพื่อติดตั้งหรือถอดใบเลื่อยวงกลม” ให้ครบถ้วน
- ถอดล็อกก้านเพื่อล็อกแกนหมุนและใช้ประแจหกเหลี่ยมเพื่อคลายสลักเกลียวหัวบ็อกซ์หกเหลี่ยมตามเข็มนาฬิกา จากนั้นถอดสลักเกลียวหัวบ็อกซ์หกเหลี่ยม แกนตัวนอก และใบเลื่อยวงกลมออก

► **หมายเลข 26:** 1. สลักเกลียวหัวบ็อกซ์หกเหลี่ยม (ด้านซ้ายมือ) 2. แกนตัวนอก 3. ล็อกก้าน

- ติดตั้งใบเลื่อยวงกลมลงบนแกนตัวในอย่างระมัดระวัง ตรวจสอบให้แน่ใจว่าทิศทางของลูกศรบนใบเลื่อยวงกลมตรงกับทิศทางของลูกศรบนที่ครอบใบเลื่อย

► **หมายเลข 27:** 1. ลูกศร

- ติดตั้งแกนตัวนอกและสลักเกลียวหัวบ็อกซ์หกเหลี่ยมชั้นสลักเกลียวหัวบ็อกซ์หกเหลี่ยม (ซ้ายมือ) ทวนเข็มนาฬิกาให้แน่นโดยใช้ประแจหกเหลี่ยมขณะกดที่ล็อกก้านลง

► **หมายเลข 28:** 1. สลักเกลียวหัวบ็อกซ์หกเหลี่ยม (ด้านซ้าย) 2. แกนตัวนอก 3. ใบเลื่อยวงกลม 4. แหวน 5. แกนตัวใน 6. แกนหมุน

► **หมายเลข 29:** 1. สลักเกลียวหัวบ็อกซ์หกเหลี่ยม (ด้านซ้ายมือ) 2. แกนตัวนอก 3. ล็อกก้าน

- ใส่ที่ป้องกันใบเลื่อยและฝาครอบตรงกลางกลับสู่ตำแหน่งเดิม จากนั้นขันสลักเกลียวหัวบ็อกซ์หกเหลี่ยมของฝาครอบตรงกลางให้แน่นเพื่อยึด

ลดโครนยกให้ต่ำลงและตรวจสอบที่ป้องกันใบเลื่อยว่าเคลื่อนที่ได้อย่างเหมาะสม

► **หมายเลข 30:** 1. ประแจหกเหลี่ยม 2. สลักเกลียวหัวบ็อกซ์หกเหลี่ยม 3. ฝาครอบตรงกลาง 4. ที่ป้องกันใบเลื่อย

การถอดใบเลื่อยวงกลม

- ทำตามขั้นตอนใน “การจัดเตรียมทั่วไปเพื่อติดตั้งหรือถอดใบเลื่อยวงกลม” ให้ครบถ้วน
- ถอดล็อกก้านเพื่อล็อกแกนหมุน คลายสลักเกลียวหกเหลี่ยมตามเข็มนาฬิกาโดยใช้ประแจหกเหลี่ยม จากนั้นถอดสลักเกลียวหัวบ็อกซ์หกเหลี่ยม แกนตัวนอก และใบเลื่อยวงกลมออก

► **หมายเลข 31:** 1. สลักเกลียวหัวบ็อกซ์หกเหลี่ยม (ด้านซ้ายมือ) 2. แกนตัวนอก 3. ล็อกก้าน

- ถ้าถอดแกนตัวในออก ให้ติดตั้งไว้บนแกนหมุนด้วยส่วนยึดใบเลื่อยโดยให้หันหน้าไปทางใบเลื่อยวงกลม ถ้าติดตั้งแกนอย่างไม่ถูกต้อง แกนจะเสียดสีกับเครื่อง

► **หมายเลข 32:** 1. สลักเกลียวหัวบ็อกซ์หกเหลี่ยม (ด้านซ้าย) 2. แกนตัวนอก 3. ใบเลื่อยวงกลม 4. แหวน 5. แกนตัวใน 6. แกนหมุน

ข้อสังเกต: ระวังอย่าทำแกนตัวนอกและสลักเกลียวหัวบ็อกซ์หกเหลี่ยมที่ถอดออกหาย

การต่อเครื่องตัดฟืน

เมื่อคุณต้องการทำการตัดอย่างสะอาดเรียบร้อย ให้เชื่อมต่อเครื่องมือเข้ากับที่ตัดฟืนของ Makita

ข้อสังเกต: ทั้งนี้ขึ้นอยู่กับประเภทของที่ตัดฟืนและสายที่ใช้ ช่องเก็บฟืนอาจถูกปิดกันจากที่ป้องกันแบบเก็บฟืน ทำให้ไม่สามารถเก็บฟืนได้ กรณีดังกล่าวจะทำให้กำลังการตัดของที่ตัดฟืนลดลง

► **หมายเลข 33:** 1. ที่ป้องกันแบบเก็บฟืน

ถุงดักฟืน

⚠ ข้อควรระวัง: เมื่อทำการตัด ให้ติดตั้งถุงดักฟืนหรือเชื่อมต่อที่ตัดฟืนเสมอเพื่อป้องกันอันตรายต่างๆ ที่เกี่ยวข้องกับฟืน

การใช้ถุงดักฟืนทำให้การทำงานตัดสะอาดและเก็บฟืนได้ง่าย การติดตั้งถุงดักฟืน ให้ติดตั้งถุงดักฟืนเข้ากับท่อดักฟืน

► **หมายเลข 34:** 1. ถุงดักฟืน 2. ท่อดักฟืน

เมื่อถุงดักฟืนเต็มถึงครึ่งถุงแล้ว ให้ถอดถุงดักฟืนออกจากเครื่องมือแล้วดึงสายรัดออก ทั้งขยะในถุงดักฟืนออกทั้งหมด เคาะเบาๆ เพื่อให้เศษขยะที่อาจติดค้างอยู่ในถุงหลุดออก ป้องกันไม่ให้เกิดการสะสมในครั้งต่อไป

► **หมายเลข 35:** 1. สายรัด

การยึดชิ้นงาน

คำเตือน: เป็นสิ่งที่สำคัญเป็นอย่างยิ่งที่ต้องใช้ตัวหนีบในประเภทที่เหมาะสมในการยึดชิ้นงานให้แน่น การไม่ปฏิบัติตามอาจทำให้เกิดการบาดเจ็บร้ายแรงและก่อให้เกิดความเสียหายต่อเครื่องมือและ/หรือชิ้นงาน

คำเตือน: หลังจากตัดเสร็จแล้ว อย่าเพิ่งยกใบเลื่อยออกจนกว่าใบเลื่อยจะหยุดสนิท การยกใบเลื่อยวงกลมขึ้นอาจส่งผลให้ได้รับบาดเจ็บสาหัสและเกิดความเสียหายต่อชิ้นงานได้

คำเตือน: เมื่อทำการตัดชิ้นงานที่ยาวกว่าฐานรองรับของเลื่อย ให้รองรับความยาวทั้งหมดของวัสดุที่เลื่อยออกไปนอกฐานรองรับให้มีความสูงเท่ากัน เพื่อให้วัสดุอยู่ในระดับเดียวกัน ตัวรองรับชิ้นงานที่เหมาะสมจะช่วยให้ใบเลื่อยบีบแน่นและตัดกลับซึ่งอาจทำให้ได้รับบาดเจ็บสาหัสได้ อย่าพึ่งตัวหนีบแนวตั้งเพียงอย่างเดียวในการยึดชิ้นงาน วัสดุที่บางอาจแอ่นลง รองรับชิ้นงานตลอดความยาวทั้งหมดเพื่อหลีกเลี่ยงไม่ให้ใบเลื่อยบีบแน่นและอาจเกิดการตัดกลับได้

► หมายเลข 36: 1. ตัวรอง 2. ฐานหมุน

ฉากนำ

คำเตือน: ก่อนใช้งานเครื่องมือ ตรวจสอบให้แน่ใจว่าได้ยึดฉากสไลด์อย่างแน่นหนาดีแล้ว

คำเตือน: ก่อนทำการตัดมุมเฉียง ตรวจสอบให้แน่ใจว่าไม่มีชิ้นส่วนของเครื่องมือ โดยเฉพาะอย่างยิ่งใบเลื่อยวงกลม สัมผัสกับฉากกันเมื่อลดมือจับลงและยกมือจับขึ้นในตำแหน่งใดๆ รวมถึงในขณะที่เลื่อนโครงยกในระหว่างการเคลื่อนที่จนสุด หากเครื่องมือหรือใบเลื่อยวงกลมสัมผัสกับฉากกัน อาจส่งผลให้เกิดการตัดกลับหรือการเคลื่อนที่ของวัสดุโดยไม่ตั้งใจ และทำให้ได้รับบาดเจ็บสาหัสได้

เครื่องมือนี้มีฉากสไลด์ เมื่อทำการตัดมุมเฉียงซ้ำ ให้คลายสกรูกันคลายและเลื่อนฉากสไลด์เพื่อไม่ให้กีดขวางการเคลื่อนที่ของโครงยก ยึดฉากสไลด์โดยขึ้นสกรูกันคลายให้แน่น

► หมายเลข 37: 1. ฉากสไลด์ 2. ฉากนำ 3. สกรูกันคลาย

ตัวหนีบแนวตั้ง

คำเตือน: จะต้องยึดชิ้นงานแนบกับฐานหมุนและฉากนำให้แน่นด้วยตัวหนีบในระหว่างการทำงาน หากชิ้นงานไม่ถูกยึดให้แนบกับฉากนำอย่างเหมาะสม วัสดุอาจเคลื่อนที่ในระหว่างการตัดซึ่งอาจทำให้ใบเลื่อยเสียหาย ส่งผลให้วัสดุกระเด็นออกและสูญเสียการควบคุม ซึ่งเป็นสาเหตุให้ได้รับบาดเจ็บสาหัสได้

สามารถติดตั้งตัวหนีบแนวตั้งในรูที่อยู่ด้านซ้ายและด้านขวาของฐาน หรือด้านซ้ายของฐานรอง กัดชิ้นงานให้แนบกับฉากนำและฐานหมุน จัดตำแหน่งของชิ้นงานที่ตำแหน่งการตัดที่ต้องการและยึดให้แน่นโดยขึ้นปุมหมุนตัวหนีบให้แน่น ตรวจสอบให้แน่ใจว่าไม่มีส่วนใดของเครื่องมือสัมผัสกับตัวหนีบแนวตั้งเมื่อลดมือจับลงจนสุด หากมีส่วนใดสัมผัสกับตัวหนีบแนวตั้ง ให้เปลี่ยนตำแหน่งของตัวหนีบแนวตั้งใหม่

► หมายเลข 38: 1. รู 2. ปุมหมุนตัวหนีบ

ฐานรอง

คำเตือน: รองรับชิ้นงานที่ยาวเสมอเพื่อให้อยู่ในระดับเดียวกับกับพื้นผิวด้านบนสุดของฐานหมุน เพื่อให้ทำการตัดได้อย่างแม่นยำและป้องกันอันตรายจากการสูญเสียการควบคุมเครื่องมือ ตัวรองรับชิ้นงานที่เหมาะสมจะช่วยให้ใบเลื่อยบีบแน่นและตัดกลับซึ่งอาจทำให้ได้รับบาดเจ็บสาหัสได้

คำเตือน: ก่อนทำการตัด ตรวจสอบให้แน่ใจว่าฐานรองถูกยึดด้วยสกรูหางแบนแล้วเสมอ

เพื่อให้ยึดชิ้นงานในแนวนอนได้ จึงมีฐานรองมาให้ทั้งสองด้านของเครื่องมือ คลายสกรูหางแบนและยึดฐานรองออกให้มีความยาวที่เหมาะสมสำหรับยึดชิ้นงาน จากนั้นขึ้นสกรูหางแบนให้แน่น

► หมายเลข 39: 1. ฐานรอง 2. สกรูหางแบน

ขณะตัด ให้วางชิ้นงานราบไปกับฉากนำ

► หมายเลข 40: 1. ฉากนำ 2. ฐานรอง

การใช้งาน

เครื่องมือนี้ใช้สำหรับตัดผลิตภัณฑ์ไม้ นอกจากนี้ เมื่อใช้ใบเลื่อยของแท่งของ Makita ที่เหมาะสม ยังสามารถเลื่อยวัสดุตั้งต่อไปนี้ได้ด้วย:

— ผลิตภัณฑ์อะลูมิเนียม

โปรตุเกสใบเลื่อยวงกลมที่เหมาะสมที่ใช้สำหรับวัสดุที่จะตัดที่เว็บไซต์ของเรา หรือติดต่อตัวแทนของ Makita ใกล้บ้านคุณ

คำเตือน: ตรวจสอบให้แน่ใจว่าใบเลื่อยไม่ได้สัมผัสกับชิ้นงาน ฯลฯ อยู่ ก่อนเปิดสวิตช์ การเปิดใช้งานเครื่องมือโดยที่ใบเลื่อยสัมผัสกับชิ้นงานอาจส่งผลให้เกิดการติดกลับและได้รับบาดเจ็บสาหัสได้

คำเตือน: หลังจากตัดเสร็จแล้ว อย่าเพิ่งยกใบเลื่อยออกจนกว่าใบเลื่อยจะหยุดสนิท การยกใบเลื่อยวงกลมขึ้นอาจส่งผลให้ได้รับบาดเจ็บสาหัสและเกิดความเสียหายต่อชิ้นงานได้

คำเตือน: อย่าทำการปรับต่างๆ เช่น ปรับด้ามจับ ปุ่มหมุน และก้านต่างๆ บนเครื่องมือในขณะที่ใบเลื่อยกำลังหมุนอยู่ การทำการปรับขณะที่ใบเลื่อยกำลังหมุนอยู่อาจส่งผลให้ได้รับบาดเจ็บสาหัสได้

ข้อควรระวัง: อย่าปล่อยการควบคุมหัวเลื่อยจากตำแหน่งนอนลงจนสุด หัวเลื่อยที่หลุดการควบคุมอาจตีถูกคุณและทำให้เกิดการบาดเจ็บได้

ข้อสังเกต: ก่อนใช้ ตรวจสอบให้แน่ใจว่าได้ปลดล็อกเข็มสตอปเปอร์และปล่อยมือจับจากตำแหน่งต่ำแล้ว

ข้อสังเกต: อย่าใช้แรงกดมากเกินไปในระหว่างที่ตัด การใช้แรงกดมากเกินไปอาจทำให้มอเตอร์ทำงานหนักเกินไปและ/หรือทำให้ประสิทธิภาพการตัดลดลง กดด้ามจับลงโดยใช้แรงกดตามที่จำเป็นให้สามารถทำการตัดได้อย่างราบรื่นโดยไม่ทำให้ความเร็วใบเลื่อยลดลง

ข้อสังเกต: กดมือจับลงเบาๆ เพื่อทำการตัด หากฝืนกดมือจับลงหรือออกแรงทางด้านข้าง ใบเลื่อยวงกลมอาจสั่นสะเทือนและทำให้เกิดรอยตำหนิ (รอยเลื่อย) ในชิ้นงานและความแม่นยำในการตัดอาจลดลง

ข้อสังเกต: ระหว่างทำการตัดสไลด์ ให้กดโครงยกเข้าหาฉากหน้าเบาๆ โดยไม่หยุด ถ้าหยุดการเคลื่อนที่ของโครงยกระหว่างการตัด อาจทำให้ชิ้นงานมีตำหนิและความแม่นยำของการตัดจะลดลง

การตัดแบบกด

คำเตือน: ล็อคการเคลื่อนที่สไลด์ของโครงยกเมื่อกดโครงยกเพื่อตัดเสมอ การตัดโดยไม่ล็อคอาจทำให้เกิดการติดกลับซึ่งทำให้ได้รับบาดเจ็บสาหัสได้

ชิ้นงานที่มีความสูงถึง 91 mm และความกว้าง 90 mm สามารถตัดได้ในลักษณะต่อไปนี้

1. ดันโครงยกเข้าหาฉากหน้าจนกระทั่งโครงยกหยุดและล็อคด้วยสกรูหางแบน
2. ยึดชิ้นงานด้วยตัวหนีบประเภทที่เหมาะสม
3. เปิดสวิตช์เครื่องมือโดยอย่าให้ใบเลื่อยวงกลมสัมผัสกับสิ่งใดๆ และรอนจนกระทั่งใบเลื่อยวงกลมทำงานที่ความเร็วสูงสุดก่อนลดใบเลื่อยลง
4. ค่อยๆ ลดด้ามจับลงไปยังตำแหน่งต่ำสุดเพื่อตัดชิ้นงาน
5. เมื่อตัดเสร็จแล้ว ให้ปิดสวิตช์เครื่องมือและรอนจนกระทั่งใบเลื่อยวงกลมหยุดสนิทก่อนนำใบเลื่อยวงกลมกลับไปยังตำแหน่งยกจนสุด

► หมายเลข 41: 1. สกรูหางแบน

การตัดสไลด์ (ดัน) (การตัดชิ้นงานที่มีขนาดกว้าง)

คำเตือน: เมื่อทำการตัดสไลด์ ชิ้นแรกให้ตั้งด้ามเข้าหาตัวจนสุดและกดด้ามจับลงจนสุด แล้วกดด้ามเข้าหาฉากหน้า ห้ามเริ่มทำการตัดโดยที่ยังไม่ได้ตั้งด้ามเข้าหาตัวจนสุด ถ้าคุณทำการตัดสไลด์โดยที่ยังไม่ได้ตั้งด้ามเข้าหาตัวจนสุด อาจเกิดการติดกลับขึ้นอย่างคาดไม่ถึงและการบาดเจ็บร้ายแรง

คำเตือน: ห้ามพยายามทำการตัดสไลด์โดยตั้งด้ามเข้าหาตัว การตั้งด้ามเข้าหาตัวขณะตัดอาจทำให้เกิดการติดกลับอย่างคาดไม่ถึง ส่งผลให้เกิดการบาดเจ็บร้ายแรงได้

คำเตือน: ห้ามทำการตัดสไลด์โดยที่ด้ามจับล็อคอยู่ในตำแหน่งต่ำสุด

1. คลายสกรูหางแบนเพื่อให้โครงยกเคลื่อนที่ได้อย่างอิสระ
2. ยึดชิ้นงานด้วยตัวหนีบประเภทที่เหมาะสม
3. ตั้งด้ามเข้าหาตัวจนสุด
4. เปิดสวิตช์เครื่องมือโดยอย่าให้ใบเลื่อยวงกลมสัมผัสกับสิ่งใดๆ แล้วรอนจนกระทั่งใบเลื่อยทำงานที่ความเร็วสูงสุด

5. กัดตามจับปลงและดันดัดเข้าหาฉากหน้าและดันผ่านขึ้นงานไป
 6. เมื่อตัดเสร็จ ให้ปิดสวิทช์เครื่องมือและรอจนกระทั่งใบเลื่อยหยุดสนิทแล้ว ก่อนยกใบเลื่อยกลับไปยังตำแหน่งยกขึ้นสูงสุด
- ▶ หมายเลข 42: 1. สกรูหางแบน

การตัดบาก

โปรดดูที่ส่วนสำหรับการปรับองศามุมบาก

การตัดมุมเอียง

- คำเตือน:** หลังจากตั้งค่าใบเลื่อยสำหรับการตัดมุมเอียงแล้ว ให้ตรวจสอบว่าโครงยกและใบเลื่อยสามารถเคลื่อนที่ได้อย่างอิสระในระหว่างการตัดที่ต้องการทั้งหมด ก่อนใช้งานเครื่องมือ การขัดขวางการเคลื่อนที่ของโครงยกหรือใบเลื่อยในระหว่างการตัดอาจส่งผลให้เกิดการติดกลับและทำให้ได้รับบาดเจ็บสาหัสได้
- คำเตือน:** ในระหว่างทำการตัดมุมเอียง ให้ดูแลให้มืออยู่ห่างจากเส้นทางของใบเลื่อย มุมของใบเลื่อยอาจทำให้ผู้ปฏิบัติงานสับสนอันเนื่องมาจากเส้นทางใบเลื่อยจริงในระหว่างทำการตัด และการสัมผัสกับใบเลื่อยจะส่งผลให้ได้รับบาดเจ็บสาหัสได้
- คำเตือน:** ไม่ควรยกใบเลื่อยขึ้นจนกว่าใบเลื่อยจะหยุดสนิทแล้ว ในระหว่างทำการตัดมุมเอียง ชิ้นส่วนที่ถูกตัดออกอาจติดกับใบเลื่อยอยู่ หากยกใบเลื่อยขึ้นในขณะที่ใบเลื่อยกำลังหมุนอยู่ ชิ้นส่วนที่ถูกตัดออกอาจกระเด็นออกจากใบเลื่อยและส่งผลให้วัสดุแตกซึ่งทำให้ได้รับบาดเจ็บสาหัสได้

ข้อสังเกต: เมื่อถมมือจับปลง ให้ออกแรงกดขนาบไปกับใบเลื่อย หากออกแรงกดในแนวตั้งฉากกับฐานหมุน หรือหากเปลี่ยนทิศทางของแรงกดในระหว่างการตัด ความแม่นยำในการตัดจะลดลง

1. ตั้งฉากสไลด์บนด้านซ้ายเพื่อไม่ให้สัมผัสกับโครงยก
2. ปลดล็อกเข็มสตอปเปอร์และคลายสกรูหางแบนที่ยึดแขนเพื่อให้ออกแรงกดโครงยกและเลื่อนได้อย่างอิสระ
3. ปรับมุมเอียงตามขั้นตอนที่อธิบายไว้ในส่วนการปรับองศามุมเอียง จากนั้นจึงขันตามจับ
4. ยึดชิ้นงานด้วยตัวหนีบ
5. ดึงดัดเข้าหาตัวจนสุด
6. เปิดสวิทช์เครื่องมือโดยอย่าให้ใบเลื่อยวงกลมสัมผัสกับสิ่งใดๆ แล้วรอจนกระทั่งใบเลื่อยวงกลมทำงานที่ความเร็วสูงสุด

7. ค่อยๆ ลดมือจับปลงจนถึงตำแหน่งลดต่ำสุดในขณะที่ออกแรงกดให้ขนาบกับใบเลื่อยวงกลมและดันโครงยกไปทางฉากหน้าเพื่อตัดชิ้นงาน
8. เมื่อตัดเสร็จ ให้ปิดสวิทช์เครื่องมือและรอจนกระทั่งใบเลื่อยวงกลมหยุดสนิทแล้ว ก่อนยกใบเลื่อยกลับไปยังตำแหน่งยกขึ้นสูงสุด

▶ หมายเลข 43

การตัดแบบผสม

การตัดแบบผสมคือกระบวนการเพิ่มมุมเอียงพร้อมๆ กับตัดชิ้นงานแบบบาก สามารถทำการตัดแบบผสมได้ด้วยองศาตามที่แสดงในตาราง

องศาการบาก	องศามุมเอียง
ซ้ายและขวา 0° - 45°	ซ้าย 0° - 45°

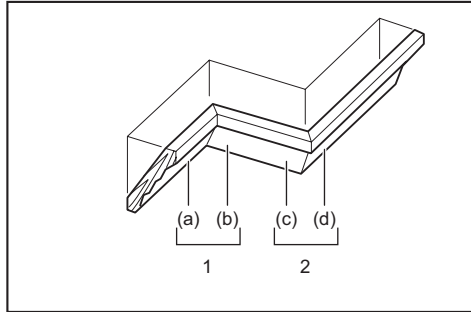
เมื่อทำการตัดแบบผสม โปรดดูที่ส่วนการตัดกด การตัดสไลด์ (ต้น) การตัดมุมบาก และการตัดมุมเอียง

การตัดยอดและส่วนเว้าของแบบพิมพ์

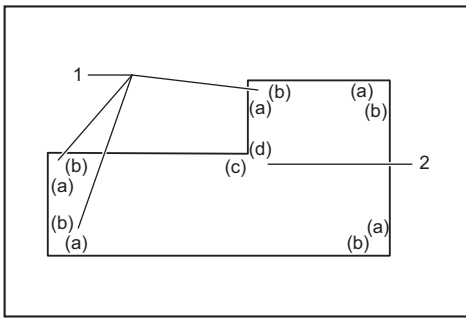
ยอดและการพิมพ์ส่วนเว้าสามารถตัดบนแท่นเลื่อยตัดองศา โดยให้แบบพิมพ์วางราบบนฐานหมุน แบบพิมพ์ยอดโดยทั่วไปมีสองประเภทและแบบพิมพ์เว้าหนึ่งประเภท ได้แก่ แบบพิมพ์ยอดมุมก่าแพง 52/38°, แบบพิมพ์ยอดมุมก่าแพง 45° และแบบพิมพ์ส่วนเว้ามุมก่าแพง 45°

- ▶ หมายเลข 44:
1. แบบพิมพ์ยอดมุมก่าแพง 52/38°
 2. แบบพิมพ์ยอดมุมก่าแพง 45°
 3. แบบพิมพ์ส่วนเว้ามุมก่าแพง 45°

มีข้อต่อแบบพิมพ์ยอดและส่วนเว้าซึ่งทำขึ้นเพื่อให้เข้ากับมุม 90° “ด้านใน” ((a) และ (b) ในรูป) และมุม 90° “ด้านนอก” ((c) และ (d) ในรูป)



1. มุมด้านใน 2. มุมด้านนอก



1. มุมด้านใน 2. มุมด้านนอก

การวัดขนาด

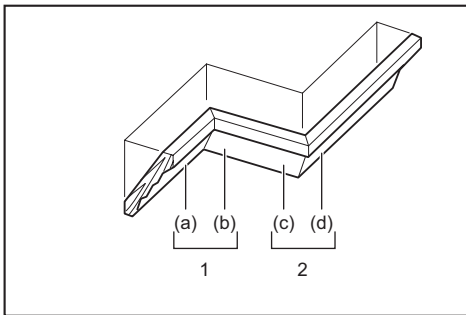
วัดขนาดความกว้างกำแพง และปรับความกว้างของชั้นงานตามนั้น โปรดตรวจสอบให้แน่ใจว่าความกว้างของขอบสัมผัสของกำแพงของชั้นงานเหมือนกับความยาวของกำแพง

- **หมายเลข 45:** 1. ชั้นงาน 2. ความกว้างของกำแพง 3. ความกว้างของชั้นงาน 4. ขอบสัมผัสของกำแพง

ใช้ชิ้นส่วนหลายๆ ชิ้นในการตัดทดสอบเพื่อตรวจสอบมุมใบเลื่อยเสมอ

เมื่อทำการตัดยอดและส่วนเว้าของแบบพิมพ์ ให้ตั้งค่ามุมเอียงและองศาการบากดังที่แสดงไว้ในตาราง (A) และวางตำแหน่งแบบพิมพ์บนพื้นผิวด้านบนของฐานเลื่อยตามรูปในตาราง (B)

ในกรณีของการตัดมุมเอียงซ้าย



1. มุมด้านใน 2. มุมด้านนอก

ตาราง (A)

—	ตำแหน่งแบบพิมพ์ในรูป	องศาเอียง		องศาการบาก	
		ประเภท 52/38°	ประเภท 45°	ประเภท 52/38°	ประเภท 45°
สำหรับมุมด้านใน	(a)	ซ้าย 33.9°	ซ้าย 30°	ขวา 31.6°	ขวา 35.3°
	(b)			ซ้าย 31.6°	ซ้าย 35.3°
สำหรับมุมด้านนอก	(c)	(d)		ขวา 31.6°	ขวา 35.3°
	(d)			ขวา 31.6°	ขวา 35.3°

ตาราง (B)

—	ตำแหน่งแบบพิมพ์ในรูป	ขอบแบบพิมพ์กับฉากนำ	ขั้นที่เสร็จแล้ว
สำหรับมุมด้านใน	(a)	ขอบสัมผัสเพดานควรถัดกับฉากนำ	ชั้นงานที่ทำเสร็จแล้วจะอยู่ด้านซ้ายของใบเลื่อยวงกลม
	(b)	ขอบสัมผัสกำแพงควรถัดกับฉากนำ	ชั้นงานที่ทำเสร็จแล้วจะอยู่ด้านขวาของใบเลื่อยวงกลม
สำหรับมุมด้านนอก	(c)	ติดกับฉากนำ	ชั้นงานที่ทำเสร็จแล้วจะอยู่ด้านขวาของใบเลื่อยวงกลม
	(d)	ขอบสัมผัสเพดานควรถัดกับฉากนำ	ชั้นงานที่ทำเสร็จแล้วจะอยู่ด้านซ้ายของใบเลื่อยวงกลม

ตัวอย่าง:

ในกรณีที่ตั้งแบบพิมพ์ยอดประเภท 52/38° สำหรับตำแหน่ง (a) ในรูปด้านบน

- เอียงและยึดการตั้งค่ามุมเอียงไว้ที่ 33.9° ซ้าย
- ปรับและยึดการตั้งค่าองศาการบากไว้ที่ 31.6° ขวา
- วางแบบพิมพ์โดยให้พื้นผิวด้านหลังที่กว้าง (ที่ซ่อนไว้) คร่าไว้กับฐานหมุนโดยให้ขอบสัมผัสเพดานติดกับฉากนำบนเลื่อย
- ชั้นงานสำเร็จที่จะใช้จะอยู่ทางด้านซ้ายของใบเลื่อยวงกลมเสมอหลังจากทำการตัดแล้ว

การตัดอะลูมิเนียมขึ้นรูป

เมื่อทำการยึดอะลูมิเนียมขึ้นรูป โปรดใช้บล็อกตัวรองหรือเศษวัสดุเพื่อป้องกันการผิดรูปของอะลูมิเนียม ใช้น้ำมันหล่อลื่นสำหรับการตัดเมื่อทำการตัดอะลูมิเนียมขึ้นรูปเพื่อป้องกันการสะสมของเศษอะลูมิเนียมบนใบเลื่อยวงกลม

คำเตือน: อย่าพยายามตัดอะลูมิเนียมชิ้นรูปที่มีความหนาหรือมีรูปทรงกลม อะลูมิเนียมชิ้นรูปที่มีความหนาหรือมีรูปทรงกลมอาจทำการยึดได้ยากและชิ้นงานอาจคลายระหว่างทำการตัดซึ่งอาจสูญเสียการควบคุมและทำให้ได้รับบาดเจ็บสาหัสได้

- **หมายเลข 46:** 1. ตัวหนีบ 2. บล็อกตัวรอง 3. ฉากนำ
4. อะลูมิเนียมชิ้นรูป 5. บล็อกตัวรอง

การตัดด้วยความยาวซ้ำ

เมื่อต้องตัดวัสดุหลายๆ ชิ้นให้มีความยาวเท่ากัน ตั้งแต่ 225 mm ถึง 350 mm จากนั้นดึงแผ่นตั้งขึ้นตามภาพ ยึดชิ้นงานไว้ในตำแหน่งสำหรับตัด เลื่อนฐานรองด้านขวาเพื่อให้แผ่นตั้งอยู่ในระนาบเดียวกับส่วนปลายชิ้นงาน จากนั้นยึดฐานรองด้วยสกรูหางแบน

- **หมายเลข 47:** 1. แผ่นตั้ง 2. สกรูหางแบน

การตัดร่อง

คำเตือน: อย่าพยายามทำการตัดประเภทนี้โดยใช้ใบเลื่อยประเภทที่กว้างขึ้นหรือใบเลื่อยดาโด การพยายามตัดร่องด้วยใบเลื่อยที่กว้างขึ้นหรือใบเลื่อยดาโดอาจทำให้เกิดผลการตัดที่ไม่คาดคิดและการติดกลับซึ่งอาจทำให้เกิดการบาดเจ็บร้ายแรงได้

คำเตือน: โปรดตรวจสอบให้แน่ใจว่าเก็บแขนสตอปเปอร์กลับตำแหน่งเดิมเมื่อทำอย่างอื่นนอกเหนือจากการตัดร่อง การพยายามตัดด้วยแขนสตอปเปอร์ในตำแหน่งที่ไม่ถูกต้องอาจทำให้เกิดผลการตัดที่ไม่คาดคิดและการติดกลับซึ่งอาจทำให้เกิดการบาดเจ็บร้ายแรงได้

สำหรับการตัดประเภทดาโด ให้ทำดังนี้

1. ปรับตำแหน่งขีดจำกัดด้านล่างของใบเลื่อยวงกลมโดยใช้สกรูปรับและแขนสตอปเปอร์เพื่อจำกัดความลึกการตัดของใบเลื่อยวงกลม โปรดดูที่ส่วนแขนสตอปเปอร์
 2. หลังจากปรับตำแหน่งขีดจำกัดด้านล่างของใบเลื่อยวงกลมแล้ว ให้ตัดขนานกับร่องทางด้านกว้างของชิ้นงานโดยใช้การตัดสไลด์ (ดัน)
- **หมายเลข 48:** 1. ตัดร่องด้วยใบเลื่อยวงกลม
3. นำวัสดุของชิ้นงานที่อยู่ระหว่างร่องออกด้วยสิ่ว

การยกเครื่องมือ

ก่อนเคลื่อนย้ายเครื่องมือ ตรวจสอบให้แน่ใจว่าได้ถอดปลั๊กเครื่องมือและยึดชิ้นส่วนที่เคลื่อนที่ได้ทั้งหมดแล้ว ตรวจสอบสิ่งต่อไปนี้อย่างละเอียด:

- ถอดปลั๊กเครื่องมือแล้ว
- โครรงยกอยู่ที่ตำแหน่งองศาตามมุมเอียง 0° และยึดไว้แล้ว
- โครรงยกอยู่ที่ตำแหน่งต่ำและล็อกไว้แล้ว
- โครรงยกเคลื่อนเข้าหาจุดจนสุดและล็อกโครรงยกแล้ว
- ฐานหมุนอยู่ที่ตำแหน่งองศาตามมุมฉากด้านขวาและยึดไว้แล้ว

เคลื่อนย้ายเครื่องมือโดยจับมือจับขยับและฐานอีกด้านของเครื่องมือ หรือโดยจับที่ฐานของเครื่องมือทั้งสองข้าง

- **หมายเลข 49**

- **หมายเลข 50**

คำเตือน: เชื่อมสตอปเปอร์สำหรับยกโครรงยกใช้สำหรับการยก การเก็บรักษา และการปรับเท่านั้น ห้ามใช้ในการตัดใดๆ การใช้เชื่อมสตอปเปอร์สำหรับการตัดอาจทำให้ใบเลื่อยวงกลมเคลื่อนที่ในแบบไม่คาดคิด ทำให้เกิดการติดกลับและการบาดเจ็บสาหัสได้

ข้อควรระวัง: ยึดส่วนที่เคลื่อนที่ได้ทั้งหมดก่อนยกเครื่องมือ ถ้าส่วนต่างๆ ของเครื่องมือเคลื่อนที่หรือสไลด์เมื่อถูกยก อาจทำให้อุบัติการณ์การควบคุมหรือสมดุล ทำให้ได้รับบาดเจ็บได้

ข้อควรระวัง: ตรวจสอบให้แน่ใจว่าล็อกโครรงยกที่ยกขึ้นอย่างเหมาะสมที่ตำแหน่งด้านล่างสุดโดยเชื่อมสตอปเปอร์แล้ว หากเชื่อมสตอปเปอร์ไม่ถูกล็อกอย่างเหมาะสมโครรงยกอาจติดขึ้นทันทีและทำให้ได้รับบาดเจ็บได้

การบำรุงรักษา

คำเตือน: ตรวจสอบให้แน่ใจว่าได้ปิดสวิตช์เครื่องมือและถอดปลั๊กออกก่อนทำการตรวจสอบหรือบำรุงรักษา หากไม่ถอดปลั๊กและปิดสวิตช์เครื่องมืออาจทำให้เครื่องมือทำงานโดยไม่ตั้งใจซึ่งอาจทำให้ได้รับบาดเจ็บสาหัสได้

คำเตือน: ตรวจสอบให้แน่ใจว่าใบเลื่อยคมและสะอาดเสมอเพื่อประสิทธิภาพในการทำงานที่ดีที่สุดและปลอดภัยที่สุด การพยายามตัดด้วยใบเลื่อยที่ทื่อและ/หรือสกปรกนั้นอาจทำให้เกิดการติดกลับและได้รับบาดเจ็บสาหัสได้

ข้อสังเกต: อย่าใช้น้ำมันเชื้อเพลิง เบนซิน กิโนเนอร์ แอลกอฮอล์ หรือวัสดุประเภทเดียวกัน เนื่องจากอาจทำให้เกิดควัน เสียวรูป หรือแตกร้าวได้

เพื่อความปลอดภัยและนำเชื้อถือของผลิตภัณฑ์ ควรให้ศูนย์บริการหรือโรงงานที่ผ่านการรับรองจาก Makita เป็นผู้ดำเนินการซ่อมแซม บำรุงรักษาและทำการปรับตั้งอื่น ๆ นอกจากนี้ให้ใช้อะไหล่ของแท้จาก Makita เสมอ

การปรับมุมการตัด

เครื่องมือนี้ได้รับการปรับแต่งมาอย่างละเอียดจากโรงงาน แต่การใช้งานหรือการเคลื่อนย้ายอาจทำให้ตำแหน่งต่าง ๆ ผิดไปได้ หากส่วนต่างๆ ของเครื่องมือของคุณไม่อยู่ในตำแหน่งที่ถูกต้อง โปรดดำเนินการดังต่อไปนี้:

องศาการบาก

1. ล็อคโครงยกในตำแหน่งที่ลดต่ำลงโดยใช้เข็มสตอปเปอร์ กดโครงยกไปทางฉากนำแล้วขันสกรูหางแบนเพื่อยึดโครงยก

2. ตั้งค่าฐานหมุนไปที่ตำแหน่ง 0° โดยใช้ฟังก์ชันหยุดตามตำแหน่ง (ปล่อยให้หากตัวชี้ไม่ได้ชี้ไปที่ 0°)

3. คลายสลักเกลียวหัวบ็อกซ์หกเหลี่ยมซึ่งยึดฉากนำอยู่โดยใช้ประแจหกเหลี่ยม

▶ **หมายเลข 51:** 1. เข็มสตอปเปอร์ 2. สกรูหางแบน 3. สลักเกลียวหัวบ็อกซ์หกเหลี่ยม

4. ปรับด้านข้างของใบเลื่อยให้ตั้งฉากกับด้านหน้าของฉากนำโดยใช้ไม้บรรทัดสามเหลี่ยมหรือไม้ฉาก ขันสกรูหัวบ็อกซ์หกเหลี่ยมให้แน่นบนฉากนำตามลำดับจากด้านขวา

▶ **หมายเลข 52:** 1. ฉากนำ 2. ไม้บรรทัดสามเหลี่ยม

5. หากตัวชี้ไม่ได้ชี้ไปที่ 0° ให้คลายสกรูที่ยึดตัวชี้แล้วปรับตัวชี้ให้ชี้ไปที่ 0°

▶ **หมายเลข 53:** 1. สกรู 2. ตัวชี้ 3. สกลบาก

องศามุมเอียง

มุมเอียง 0°

1. ล็อคโครงยกในตำแหน่งที่ลดต่ำลงโดยใช้เข็มสตอปเปอร์ กดโครงยกไปทางฉากนำแล้วขันสกรูหางแบนเพื่อยึดโครงยก

2. คลายก้าน จากนั้นหมุนสลักเกลียวปรับ 0° ทวนเข็มนาฬิกาสองหรือสามรอบเพื่อเอียงใบเลื่อยงกมไปทางขวา

▶ **หมายเลข 54:** 1. ก้าน 2. สลักเกลียวปรับ 0°

3. จัดให้ด้านข้างของใบเลื่อยตั้งฉากกับผิวหน้าด้านบนของฐานหมุนอย่างระมัดระวังโดยใช้ไม้บรรทัดสามเหลี่ยมไม้ฉาก ฯลฯ โดยการหมุนสลักเกลียวปรับ 0° ตามเข็มนาฬิกา จากนั้นขันก้านให้แน่นเพื่อยึดมุม 0° ที่คุณตั้งไว้

▶ **หมายเลข 55:** 1. ไม้บรรทัดสามเหลี่ยม 2. ใบเลื่อย 3. พื้นผิวด้านบนของฐานหมุน

4. หากตัวชี้ไม่ได้ชี้ไปที่ 0° ให้คลายสกรูที่ยึดตัวชี้แล้วปรับตัวชี้ให้ชี้ไปที่ 0°

▶ **หมายเลข 56:** 1. สกรู 2. ตัวชี้ 3. สเกลมุมเอียง

มุมเอียง 45°

ข้อสังเกต: ปรับองศามุมเอียงไปที่ 0° ก่อนแล้วจึงค่อยปรับองศามุมเอียงไปที่ 45° องศา

1. ขันสกรูมือหมุนเพื่อยึดโครงยก

2. คลายก้าน จากนั้นเอียงโครงยกไปทางซ้ายจนสุด

▶ **หมายเลข 57:** 1. สกรูหางแบน 2. ก้าน

3. ตรวจสอบว่าตัวชี้ชี้ไปที่ตำแหน่ง 45° ของสเกลองศามุมเอียง

หากตัวชี้ไม่ชี้ไปที่ตำแหน่ง 45° ให้จัดให้ตรงตำแหน่ง 45° โดยการหมุนสลักเกลียวปรับ 45°

▶ **หมายเลข 58:** 1. สลักเกลียวปรับ 45°

การเปลี่ยนแปลงคาร์บอน

ถอดแปรงคาร์บอนออกมาตรวจสอบเป็นประจำ เปลี่ยนแปรงคาร์บอนเมื่อสึกหรอจนเหลือความยาวเพียง 3 mm (1/8") ดูแลแปรงคาร์บอนให้สะอาดและไม่มีเส้นหลุดออกจากที่ยึด ควรเปลี่ยนแปลงคาร์บอนทั้งสองอันพร้อมกัน ใช้แปรงคาร์บอนแบบเดียวกันเท่านั้น

▶ **หมายเลข 59**

ใช้ไขควงเพื่อถอดฝาปิดที่ยึดแปรงออก นำแปรงคาร์บอนที่สึกหรอออกมา ใส่แปรงคาร์บอนใหม่เข้าไป และปิดฝาปิดที่ยึดแปรงให้แน่น

▶ **หมายเลข 60:** 1. ฝาปิดที่ยึดแปรง

หลังจากเปลี่ยนแปลงแล้ว ให้เสียบปลั๊กเครื่องมือและใช้งานแปรงโดยการเดินเครื่องมือหมุนเปล่าเป็นเวลา 10 นาที จากนั้นตรวจสอบเครื่องมือในขณะที่ทำงานและการทำงานของเบรกไฟฟ้าเมื่อปล่อยสวิตช์ทำงาน ถ้าเบรกไฟฟ้าทำงานผิดปกติให้นำเครื่องมือเข้ารับการซ่อมที่ศูนย์บริการของ Makita

หลังจากการใช้งาน

หลังจากการใช้งาน ให้ใช้ผ้าหรือสิ่งอื่นๆ บัดเศษวัสดุและฝุ่นที่เครื่องมือ รักษาความสะอาดของที่ป้องกันใบเลื่อยโดยใช้วิธีการที่ระบุไว้ในส่วนที่มีชื่อว่า “ที่ป้องกันใบเลื่อย” ใช้น้ำมันเครื่องหล่อลื่นส่วนที่เคลื่อนที่ได้เพื่อกันสนิม

อุปกรณ์เสริม

คำเตือน: ขอแนะนำให้ใช้เฉพาะอุปกรณ์เสริมของ Makita หรืออุปกรณ์ต่อพ่วงเหล่านี้กับเครื่องมือของ Makita ที่ระบุในคู่มือ การใช้อุปกรณ์เสริมหรืออุปกรณ์ต่อพ่วงอื่นอาจทำให้ได้รับบาดเจ็บสาหัสได้

คำเตือน: ใช้อุปกรณ์เสริมของ Makita หรืออุปกรณ์ต่อพ่วงตามวัตถุประสงค์ที่ระบุไว้เท่านั้น การใช้อุปกรณ์เสริมหรืออุปกรณ์ต่อพ่วงอย่างไม่เหมาะสมอาจทำให้ได้รับบาดเจ็บสาหัส

หากต้องการทราบรายละเอียดเพิ่มเติมเกี่ยวกับอุปกรณ์เสริมเหล่านี้ โปรดสอบถามศูนย์บริการ Makita ใกล้บ้านคุณ

- ใบเลื่อยสตีลและใบเลื่อยปลายคาร์ไบด์
- ตัวหนีบแนวตั้ง
- กุญแจฝู่น
- ไม้บรรทัดสามเหลี่ยม
- ประแจหกเหลี่ยม
- ชุดขาตั้ง

หมายเหตุ: อุปกรณ์บางรายการอาจรวมอยู่ในชุดเครื่องมือเป็นอุปกรณ์มาตรฐาน ซึ่งอาจแตกต่างกันไปในแต่ละประเทศ

Makita Corporation
3-11-8, Sumiyoshi-cho,
Anjo, Aichi 446-8502 Japan
www.makita.com

LS1110F-SEA6-
HK(CE)-2306
EN, ZHCN, ZHTW,
ID, MS, VI, TH
20230808