

## Super large Type (M Thread)



Material:	Nickel-plated brass
Claw:	PA66 (Nylon) , UL94-V2
Hermetic seal:	NBR、 Silicone rubber
O-Ring:	NBR、 Silicone rubber
Protection degree:	IP68-10 bar
Temperature:	Static state: -40°C to 100°C , Short time to 120 °C ; Dynamic state: -20°C to 80°C , Short time to 100°C

Sealing Nut



Claw



Seal



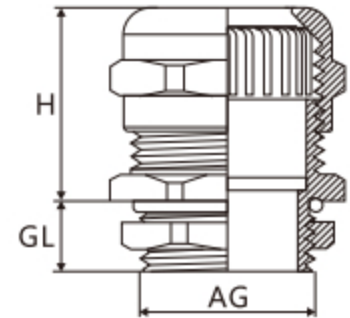
Body



O-ring



Lock Nut



### Specification parameter

Item	Range	Thread Length GL	Thread O.D. AG	Joint Length H	Spanner Size
M64×2	37-44	14	64	38	64/68
M70×2	42-52	16	70	44	78
M72×2	42-52	16	72	44	78
M72×2	48-58	16	72	44	78
M75×2	42-52	16	75	44	78/80
M75×2	48-58	16	75	44	78/80
M80×2	55-62	18	80	45	88
M88×2	65-70	18	88	45	94
M100×2	78-84	20	100	53	110
M120×2	78-84	20	120	53	110/130