

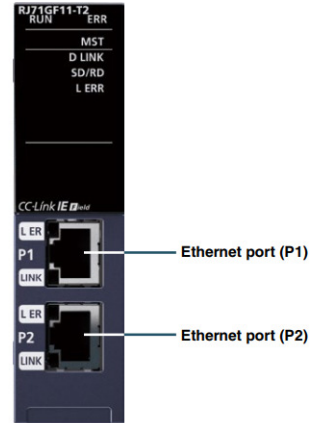
# CC-Link IE Field Network Module

## RJ71GF11-T2

1 Gbps, master/local station



CC-Link IE Field is a versatile gigabit Ethernet-based network integrating controller, I/O control, safety control, and motion control in a flexible wiring topology supporting star, ring, and line configurations.



### Multiple topology variations

#### ■ Star topology

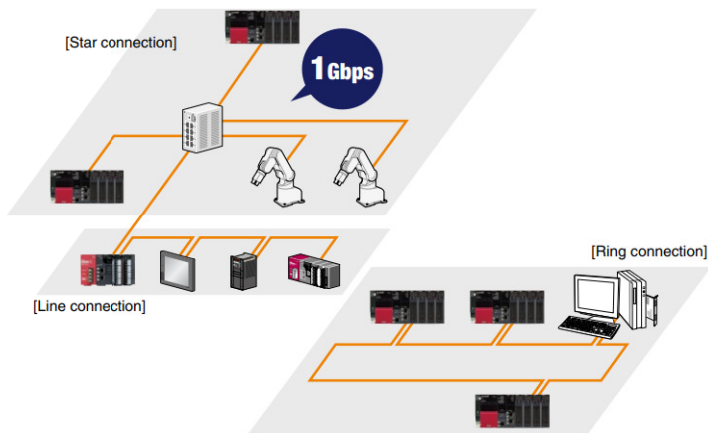
Devices are connected via a switching hub allowing local stations to be added easily.

#### ■ Line topology

Continuous connection of devices along the Ethernet line.

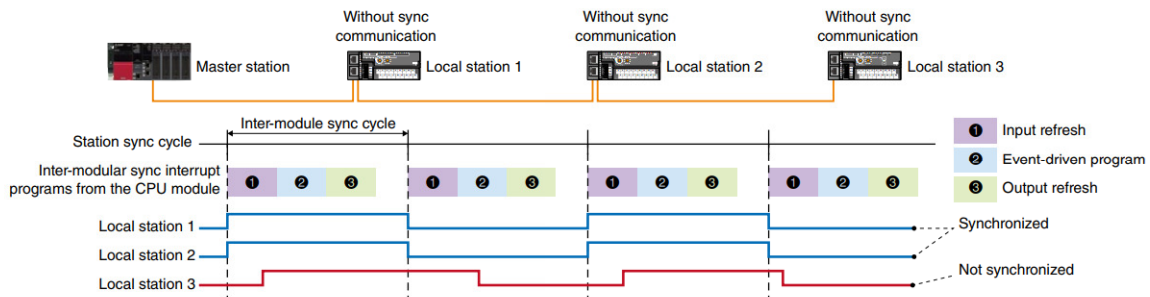
#### ■ Ring topology

Connection is done in a continuous loop, which guarantees communications by isolating the faulty network station.



### Synchronized network communications

The control cycle of local stations on the network can be synchronized with the master station.



### CC-Link IE Field Network module specifications

Item	RJ71GF11-T2
Transmission speed	1 Gbps
Network topology	Line topology, star topology (both types can be on the same line), and ring topology
Communication cable	Ethernet cable (Category 5e or higher, double shielded/STP)
Max. station-to-station distance (m)	100
Overall cable distance (m)	Line topology: 12,000 (when 121 stations are connected) Star topology: Depends on the system configuration Ring topology: 12,100 (when 121 stations are connected)
Max. number of connectable stations	121 (master station: 1, slave station: 120)
SIL 2-compliant	●*1
Max. number of link points per network	
Remote input (RX), remote output (RY)	16K points (16384 points, 2K bytes)
Remote register (RWw, RWr)	8K points (8192 points, 16K bytes)
Function	
Firmware update*2	●

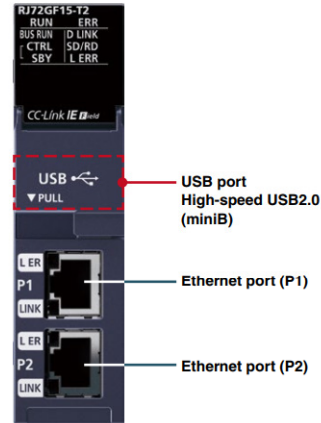
\*1. When used together with a SIL 2 redundant control system (SIL 2 is supported in the module firmware version of "23" or later).  
\*2. For more information, please refer to the relevant product manual.

# CC-Link IE Field Network Remote Head Module

## RJ72GF15-T2

1 Gbps, remote station

The CC-Link IE Field head module can control the I/O and intelligent function modules directly when installed on the same base unit, and can operate as a network remote station. Installing two remote head modules improves network reliability by having redundant network lines, and supports online module replacement (hot-swap) when a module needs to be changed while the system is still in operation.



System configuration  
CPU  
I/O  
Analog  
Motion, Positioning, High-speed Counter, Channel isolated pulse input  
Network  
Advanced information  
Technology  
Software

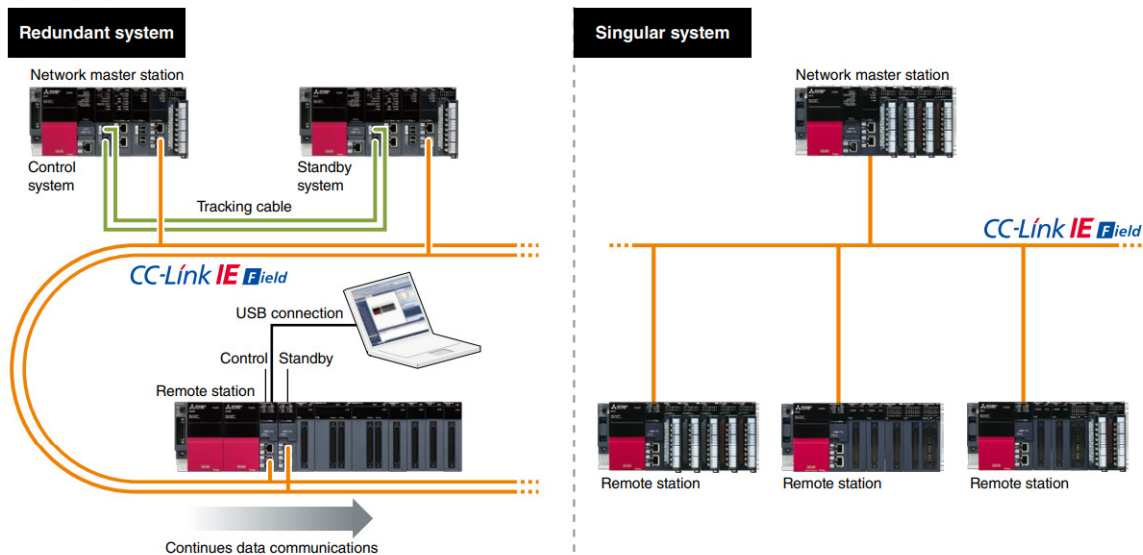
### Distributed control or redundant system can be easily realized

#### ■ Wiring and space saving distributed control system

Realize a highly scalable distributed control system by combining with various I/O and intelligent function modules.

#### ■ Remote station with redundant head modules and network

Network system reliability can be improved by installing redundant head modules and redundant network cables; even if an error occurs in one of the head modules, the network standby module can take over without disrupting network communications and initiates the control system to switch to the standby system. In addition, if one of the head modules is replaced, the settings and parameters are automatically transferred to the standby module and re-initialized.



- Faulty network module automatically switches to standby when an error occurs
- Network data communications are continued
- Continue control of I/O and intelligent function module

- Connect engineering tool to remote head module via USB
- Directly register module parameters

### CC-Link IE Field Network remote head module specifications

Item	RJ72GF15-T2
Transmission speed	1 Gbps
Network topology	Line topology, star topology (both types can be on the same line), and ring topology
Communication cable	Ethernet cable (Category 5e or higher, double shielded/STP)
Max. station-to-station distance (m)	100
Overall cable distance (m)	Line topology: 12,000 (when 121 stations are connected) Star topology: Depends on the system configuration Ring topology: 12,100 (when 121 stations are connected)
Max. number of connectable stations	121 (master station: 1, slave station: 120)
SIL 2-compliant	● <sup>1</sup>
Max. number of link points per network	
Remote input (RX), remote output (RY)	16K points (16384 points, 2K bytes)
Remote register (RWw, RWr)	8K points (8192 points, 16K bytes)

<sup>1</sup> When used together with a SIL 2 redundant control system (SIL 2 is supported in the module firmware version of "04" or later).