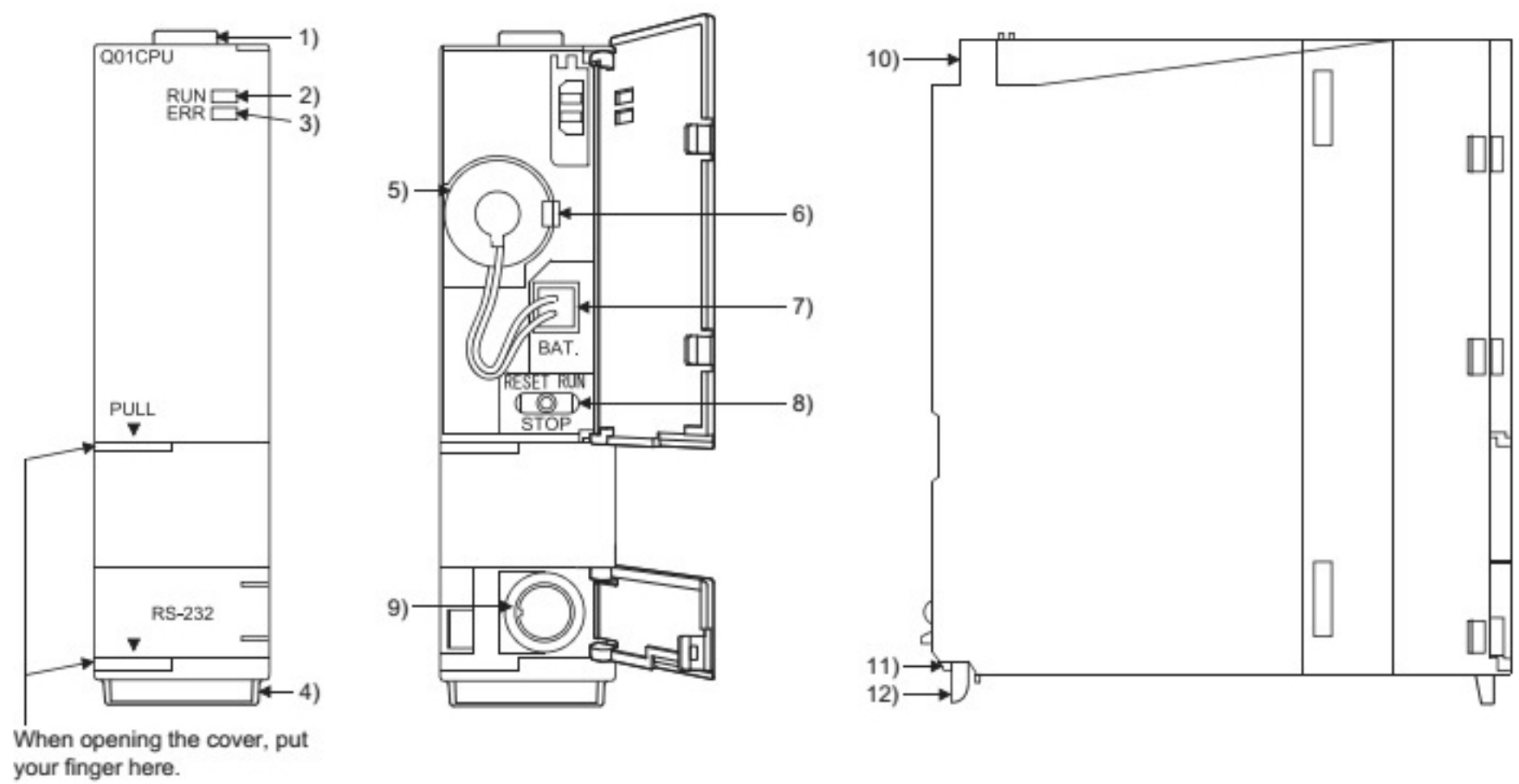


Descriptions : Basic model QCPU

* Q00CPU

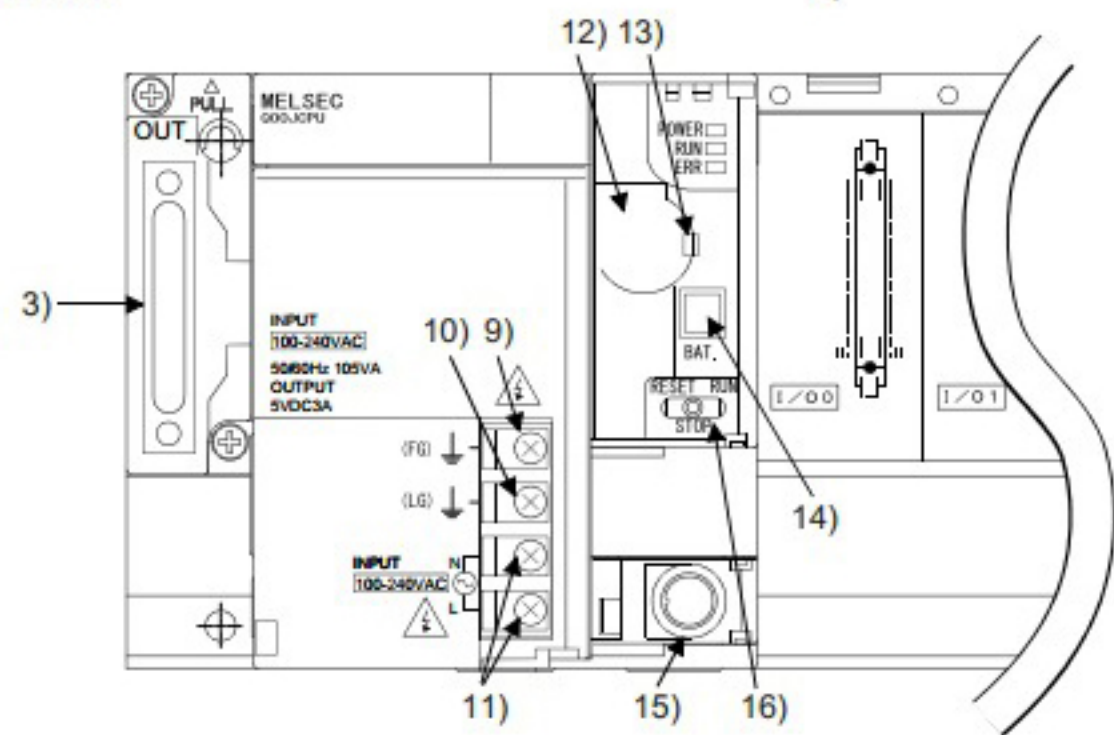
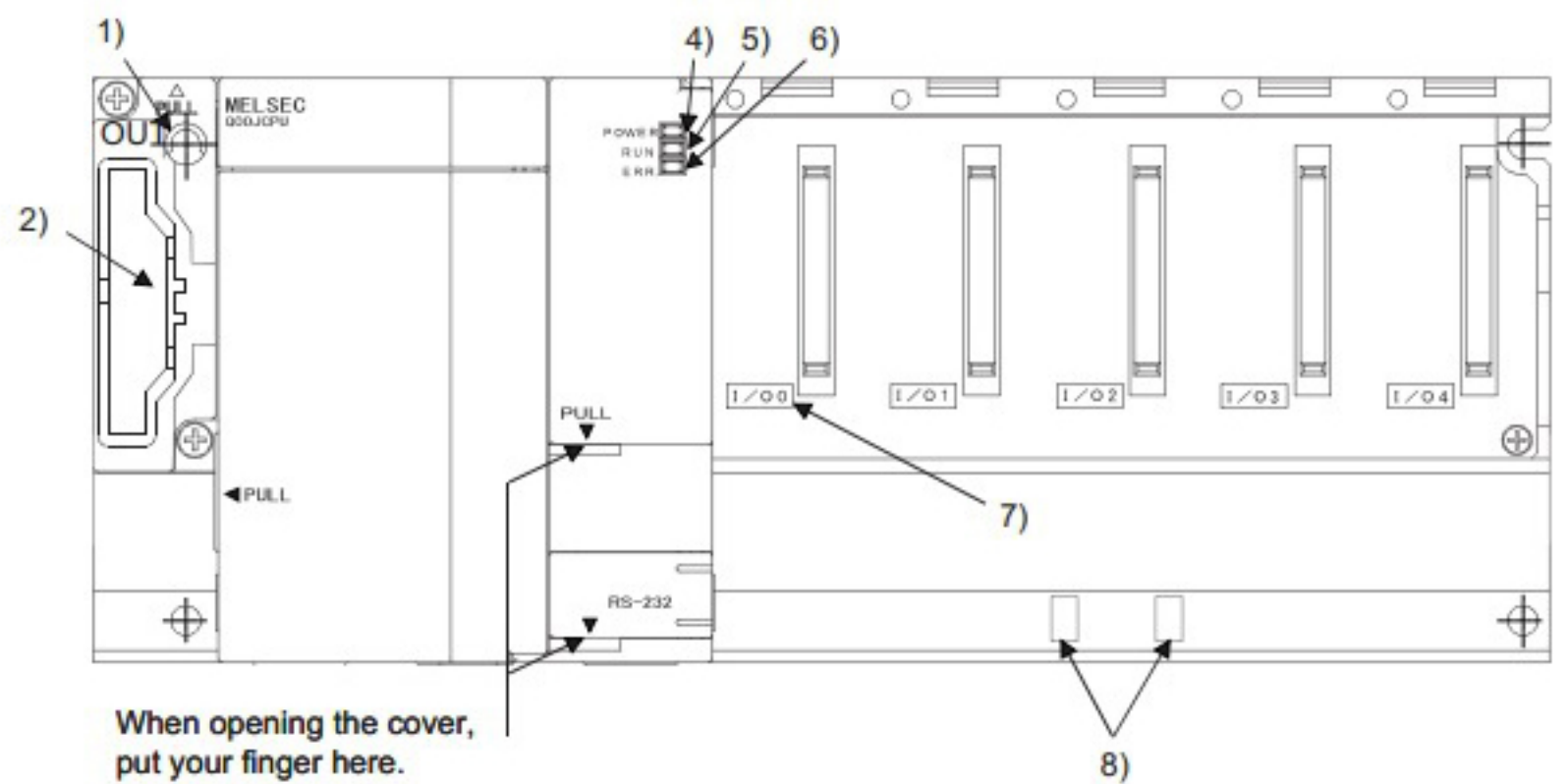
* Q01CPU

- 01. Module fixing hook
- 02. RUN LED
- 03. ERR. LED
- 04. Serial number display
- 05. Battery
- 06. Battery fixing hook
- 07. Battery connector pin
- 08. RUN/ STOP/ RESET switch
- 09. RS-232 connector
- 10. Module fixing screw hole
- 11. Module fixing projection
- 12. Module mounting lever



* Q00JCPU

- 01. Base unit installation hole
- 02. Cover
- 03. Extension cable connector
- 04. POWER LED
- 05. RUN LED
- 06. ERR. LED
- 07. Module connector
- 08. DIN rail adaptor mounting holes
- 09. FG terminal
- 10. LG terminal
- 11. Power input terminals
- 12. Battery
- 13. Battery fixing hook
- 14. Battery connector pin
- 15. RS-232 connector
- 16. RUN/ STOP/ RESET switch



Specifications	Q00JCPU-E	Q00CPU	Q01CPU
Type	Combination of CPU module (single processor), 5 slot base unit and power supply	CPU module (multi processor)	CPU module (multi processor)
I/O points	256/2048	1024/2048	1024/2048
CPU self-diagnostic functions	CPU error detection, Watch Dog, battery error detection, memory error detection, program check, power supply error detection, fuse error detection		
Multi processor operation	Not possible	With PPC-CPU, Q172CPUN, Q173CPUN only	With PPC-CPU, Q172CPUN, Q173CPUN only
Battery buffer	All CPU modules are fitted with a lithium-battery with a life expectancy of 5 years.		
Memory type	ROM	RAM, ROM	RAM, ROM
Memory capacity	Overall	58 kByte	94 kByte
	Max. for PLC program	8 k steps (32 kByte)	8 k steps (32 kByte)
Program cycle period	0.20 μs/log. instruction	0.16 μs/log. instruction	0.10 μs/log. instruction
Timer (T)	512	512	512
Counter (C)	512	512	512
Internal/special relay (M)	8192	8192	8192
Data register/special register (D)	11136	11136	11136
File register (R) ^①	—	32768	32768
Interrupt pointer (I)	128	128	128
Pointer (P)	300	300	300
Annunciator (F)	1024	1024	1024
Index register (Z)	10	10	10
Link relay (B)/link register (W)	2048/2048	2048/2048	2048/2048
Number of connectable extensions	2	4	4
Max. number of insertable modules	16	24	24
Internal power consumption (5 V DC)	mA 220	250	270
Weight	kg 0.66 ^②	0.13	0.13
Dimensions (WxHxD)	mm 245x98x98 ^②	27.4x98x89.3	27.4x98x89.3
Order information	Art. no. 140378	138323	138324
Accessories	—		