



Multi-stage centrifugal pumps, horizontal and self-priming, particularly suitable for constructing small and medium sized pressurisation systems; able to suck liquids mixed with air.

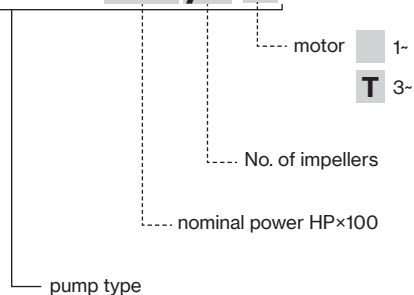
Construction features

| | |
|---------------------------|--------------------------|
| Pump body | stainless steel AISI 304 |
| Motor bracket | aluminum |
| Impeller | Noryl® |
| Mechanical seal | ceramic-graphite-NBR |
| Pump shaft | stainless steel AISI 416 |
| Liquid temperature | 0 - 50 °C |
| Operating pressure | max 8 bar |

Motor

| | |
|--------------------------------|---|
| | 3~ 230/400V - 50Hz |
| 2 poles induction motor | 1~ 230V - 50Hz (with thermal protection) |
| Insulation class | F |
| Protection degree | IPX4 |

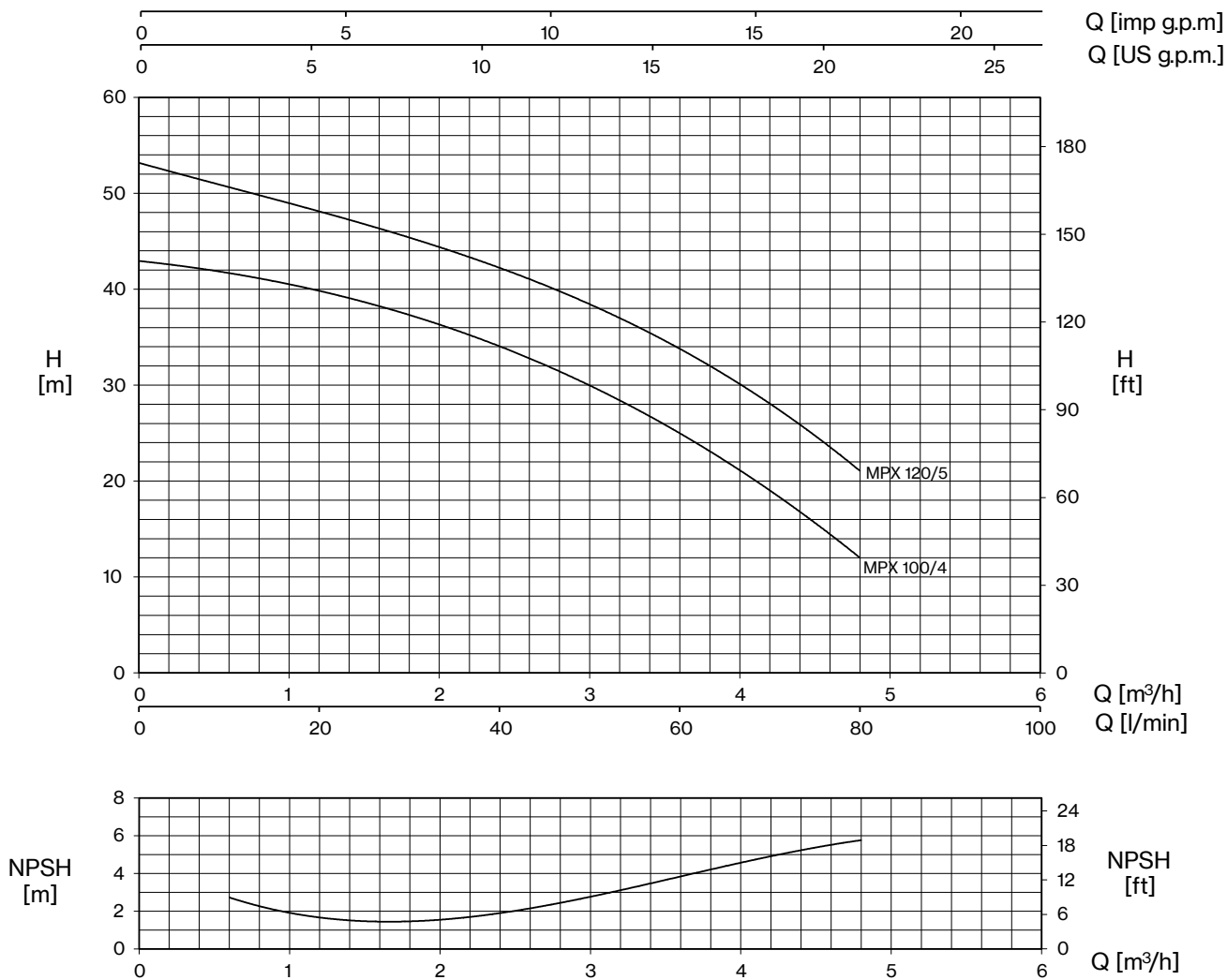
MPX 100 /4 T



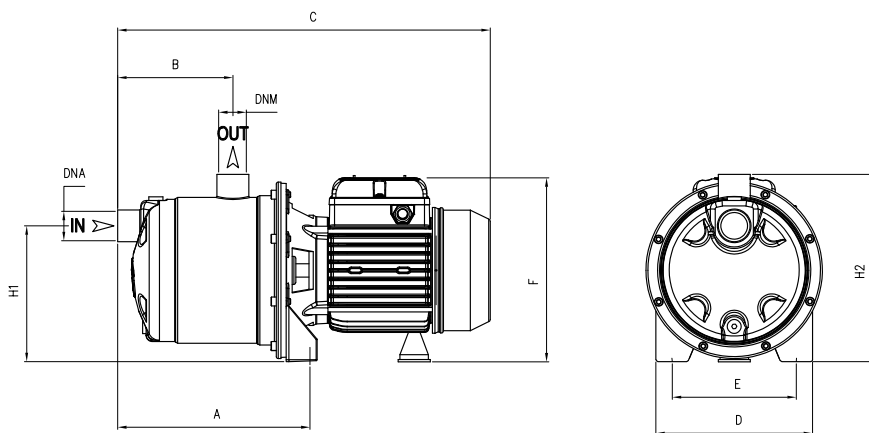
| TYPE | LOTS | | | |
|------|-------------|----------|-------------|----------|
| | TRUCK | | CONTAINER | |
| | PALLET (cm) | N° pumps | PALLET (cm) | N° pumps |
| MPX | 85×110×170 | 60 | 85×110×190 | 80 |



MPX



| TYPE | | P2 | | P1 (kW) | | AMPERE | | Q (m³/h - l/min) | | | | | |
|-----------|------------|-----|------|---------|------|------------------|------------------|------------------|------|------|------|------|------|
| 1~ | 3~ | HP | kW | 1~ | 3~ | 1~ 230V 50 Hz | 3~ 400V 50 Hz | 0 | 0,6 | 1,2 | 2,4 | 3,6 | 4,8 |
| | | | | | | | | 0 | 10 | 20 | 40 | 60 | 80 |
| | | | | | | | | H (m) | | | | | |
| MPX 100/4 | MPXT 100/4 | 1 | 0,74 | 1,07 | 1,1 | 5,0 | 1,9 | 43,0 | 41,5 | 40,0 | 34,0 | 25,0 | 12,0 |
| MPX 120/5 | MPXT 120/5 | 1,2 | 0,88 | 1,27 | 1,33 | 6,1 | 2,3 | 53,0 | 51,0 | 48,0 | 42,0 | 34,0 | 21,0 |



| TYPE | DIMENSIONS (mm) | | | | | | | | | | | | | |
|-----------|-----------------|-----|-----|-----|-----|-----|-----|-----|------|------|-----|-----|-----|------|
| | A | B | C | D | E | F | H1 | H2 | DNA | DNM | I | L | M | Kg |
| MPX 100/4 | 208 | 128 | 410 | 175 | 140 | 215 | 153 | 210 | 1" G | 1" G | 430 | 210 | 235 | 11 |
| MPX 120/5 | 208 | 128 | 410 | 175 | 140 | 215 | 153 | 210 | 1" G | 1" G | 430 | 210 | 235 | 11,5 |



MPX (Garden version)

Portable electropumps complete with handle, cable with plug and switch.
The performances depend on adopted pump type.

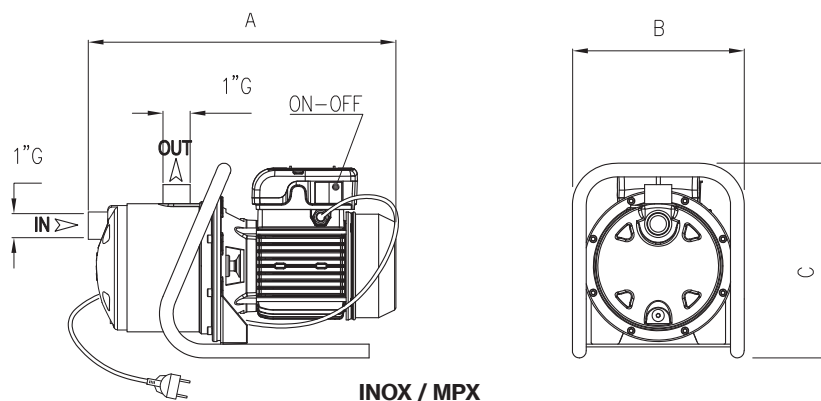


MPX

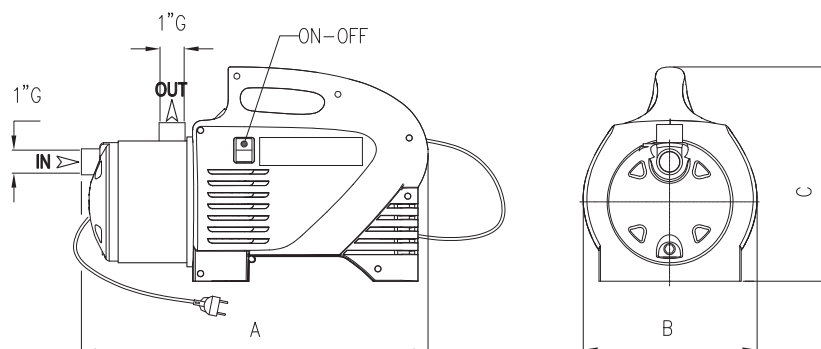


MPX BOX

| TYPE | P2 | | P1 (kW) | Pipe | | Performance | |
|-----------|-----|------|---------|--------------|---------------|-------------|-----------|
| | HP | kW | 1~ | Suction ("G) | Delivery ("G) | Q (l/min) | H (m) |
| MPX 100/4 | 1 | 0,74 | 1,07 | 1 | 1 | 10,0-80,0 | 41,5-12,0 |
| MPX 120/5 | 1,2 | 0,88 | 1,27 | 1 | 1 | 10,0-80,0 | 51,0-21,0 |



INOX / MPX



INOX / MPX

| TYPE | DIMENSIONS (mm) | | |
|---------------|-----------------|-----|-----|
| | A | B | C |
| MPX 100/4 | 410 | 175 | 285 |
| MPX 120/5 | 410 | 175 | 285 |
| MPX 100/4 BOX | 429 | 209 | 287 |