

PILOT LAMP

Plastic guard



Model	Code	Description
MRP-	<input type="checkbox"/> <input type="checkbox"/> <input type="checkbox"/>	Pilot lamp
Actuator	K	Flush (Installing hole:Ø25)
	T	Extended (Installing hole:Ø22)
Rated input voltage	A0	100 – 240 V AC
	A3	380 V AC
	D0	12 – 24 V DC/AC
Cap (LED color)	R	R(Red), G(Green), Y(Yellow), A(Blue), W(White)

MRP-K Flush (Ø25)



MRP-T Extended (Ø22)



SELECTOR SWITCH

Plastic guard



Model	Code	Description
MRS-	<input type="checkbox"/> <input type="checkbox"/> <input type="checkbox"/>	Selector switch
Actuator	K	Flush (Installing hole:Ø25)
	T	Extended (Installing hole:Ø22)
Operation function	2A	2 positions alternate operation
	2R	2 positions momentary operation
	3A	3 positions alternate operation
	3R	3 positions left and right side momentary operation
Contact composition	1	1a1b
	2	2a2b
Actuator color (cap color)		Black (solid)

MRS-K Flush (Ø25)



MRS-T Extended (Ø22)



■ Suffix code

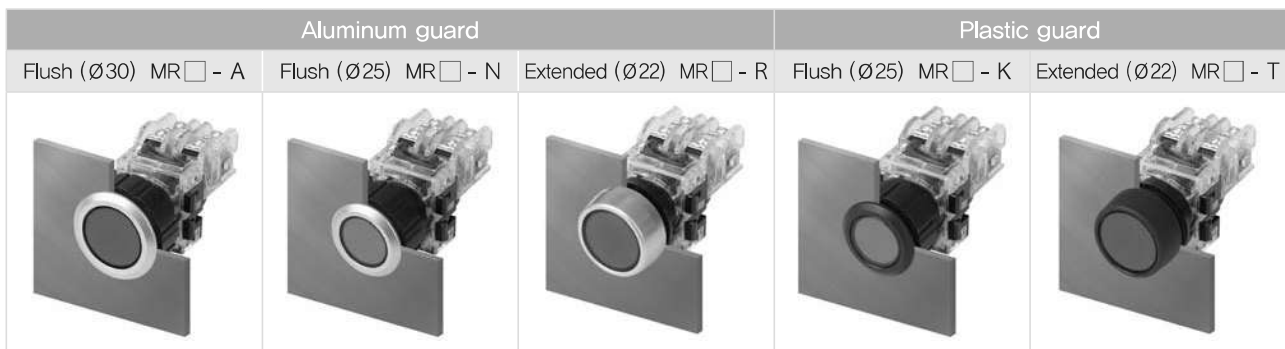
Model	Code	Description
MRF -	□	Push button switch
MRX -		Illuminated push button switch
MRP -		Pilot light
MRS -		Selector switch
MRT -		Illuminated selector switch
MRK -		Key selector switch
MRE -		Emergency stop switch
MRA -		Illuminated emergency stop switch
MRB -		Electronic buzzer
Actuator	A	Ø30 Flush
	N	Ø25 Flush
	R	Ø22 Extended
	K	Ø25 Flush
	T	Ø22 Extended

※ Please refer to the above suffix code and check out an operation function, contact composition, color actuator, rated input voltage, etc.

■ Specification

Contact composition		1a1b
Contact action		Snap-action
Installing panel thickness		7.0 mm (when excluded the additional accessories)
Material	Contact material	AgSnO ₂
	Contact body material	Polycarbonate (P.C)
Mechanical characteristic	Fixed torque	Installing nut : 1.96 N · m max, Installing nut : 0.78 N · m max
	Operating power	6.47 N (operation part + 1a1b contact)
	Operating distance	5 mm ±0.2
	Reflection time	max 3 ms
	Durability of actuator	Button: min 500 thousand times, Selector switch: min 200 thousand times
Electrical characteristic	Dielectric strength	2,000 V AC 1 min
	Contact resistance	max 50 MΩ (Initial setting)
	Insulation resistance	min 100 MΩ 500 V DC
	Rated current	6 A 250 V AC
	Min load current	5 mA 24 V DC, 10 mA 110 V DC
	Min load current	200 thousand times
Power supply voltage	Power supply voltage	100 - 240 V AC (ED condenser voltage dropping type)
		380 V AC (LED condenser voltage dropping type) 12 - 24 V DC/AC (LED resistance voltage dropping type)
Buzzer volume		Approx. 90 dB
Environment condition	Ambient temperature	-20 ~ 55 °C
	Ambient temperature	35 ~ 85 % RH
	Storage temperature	-40 ~ 85 °C
	Shock resistance	300 % pulse cycle 11 ms
	Vibration resistance	100 % 10 - 55 Hz, amplitude 0.75 mm (within 1 ms)

■ Actuator panel installation example



■ Panel cutout (Unit : mm)

