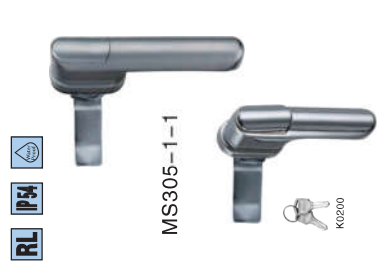




### MS305



- 材质: 锌合金锁体、螺母
- 表面处理: 镍铬镀铬、镍沙铬
- 适用门框厚度: 1-5mm
- Material: Zinc die-casting body, nut, Zinc plating cam
- Finish: Bright chrome plating, Gray chrome plating
- Panel thickness: 1-5mm

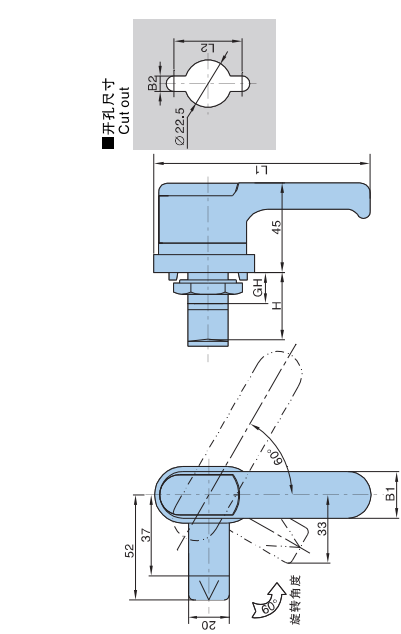
### MS306-1A



- 材质: 锌合金锁体、螺母
- 表面处理: 镍铬镀铬
- 适用门框厚度: 1-5mm
- Material: Zinc die-casting body, nut, Zinc plating cam
- Finish: Bright chrome plating
- Panel thickness: 1-5mm

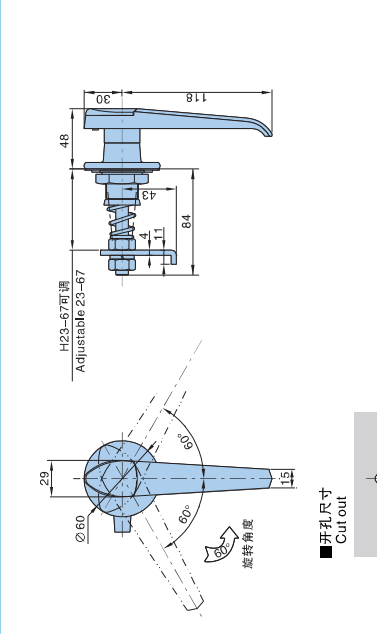


### L型执手锁 L-Shape Handle Lock



基本尺寸		产品型号及特性		Product Number	
Dimensions		镍铬镀铬	镍沙铬	产品重量(g)	装箱数
		Bright chrome plating	Gray chrome plating	Weight	Lot
L1	L2	B1	B2	H	
150	40	22	28	8.5	45.5
107	31.8	15	23	7.5	37.5
				37.5	100

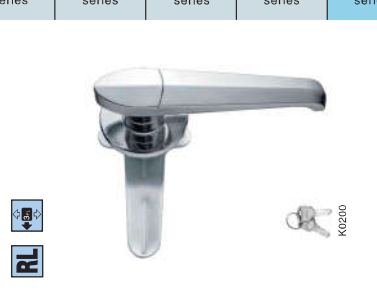
### L型执手锁 L-Shape Handle Lock



型号	Product no.	转角	Rotation angle	产品重量(g)	装箱数
				Weight	Lot
MS306-1A-1		60°		520	40
MS306-1A-1L		顺时针(CW)90°		520	40
MS306-1A-1R		逆时针(CCW)90°		520	40



### MS306-1



- 材质: 锌合金锁体、螺母
- 表面处理: 镍铬镀铬
- 适用门框厚度: 1-5mm
- Material: Zinc die-casting body, nut, Zinc plating cam
- Finish: Bright chrome plating
- Panel thickness: 1-5mm

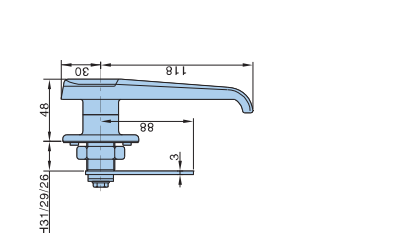
### MS306-2



- 材质: 锌合金锁体、螺母, 镀锌铜片
- 表面处理: 镍铬镀铬
- 适用门框厚度: 1-5mm
- Material: Zinc die-casting body, nut, Zinc plating cam
- Finish: Bright chrome plating
- Panel thickness: 1-5mm

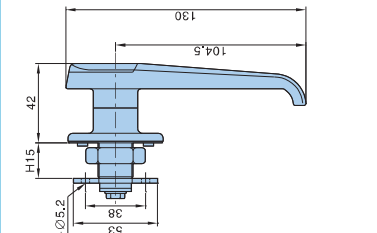


### L型执手锁 L-Shape Handle Lock



型号	Product no.	转角	Rotation angle	产品重量(g)	装箱数
				Weight	Lot
MS306-1-1		60°		464.5	50
MS306-1-1L		顺时针(CW)90°		464.5	50
MS306-1-1R		逆时针(CCW)90°		464.5	50

### L型执手锁 L-Shape Handle Lock



型号	Product no.	转角	Rotation angle	产品重量(g)	装箱数
				Weight	Lot
MS306-2-1(60°)		60°		250.5	50
MS306-2-1L(顺时针(CW)90°)		顺时针(CW)90°		250.5	50
MS306-2-1R(逆时针(CCW)90°)		逆时针(CCW)90°		250.5	50