



HENGZHU 恒珠

HENGZHU 恒珠



MS603-3

按压杠杆式平面锁 Press Lever Plane Lock

按压杠杆式平面锁 Press Lever Plane Lock

MS610

RL

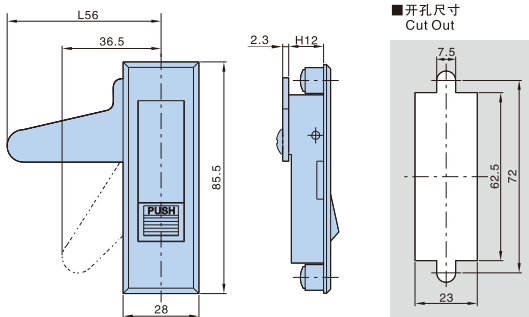


MS603-3-1R MS603-3-2R

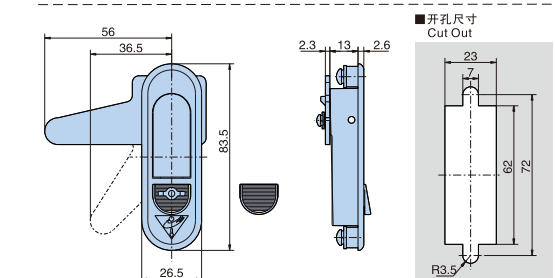
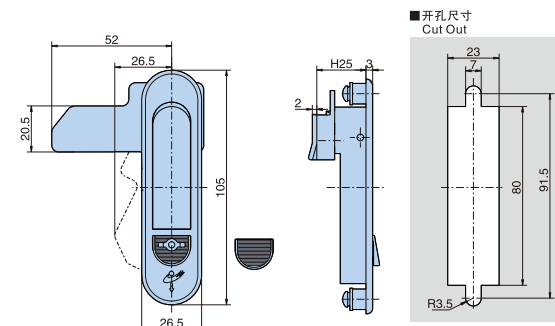
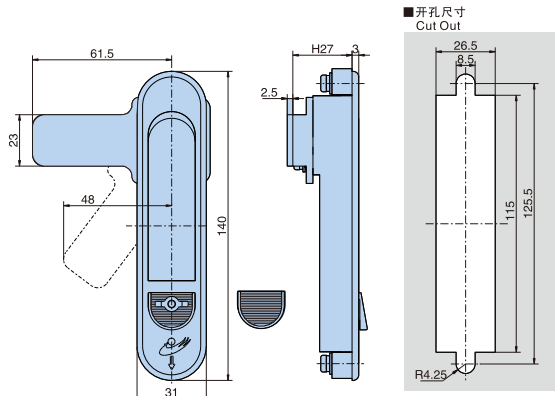


MS603-3-1W MS603-3-2W

- 材质: 锌合金锁体、镀锌压板、锁片
- 表面处理: 喷沙镀铬
- 适用门板厚度: 1-3mm
- Material: Zinc die-casting body, Zinc plating cam, fixing parts
- Finish: Pocked chrome plating
- Panel thickness: 1-3mm



产品型号及特性 Product Number		产品单重(g) Weight	装箱数 Lot
白按钮(锌合金) White button	有锁芯 with key MS603-3-1W	104	200
	无锁芯 w/o key MS603-3-2W	89.5	200
红按钮(塑料) Red button	有锁芯 with key MS603-3-1R	82	200
	无锁芯 w/o key MS603-3-2R	82	200



产品型号及特性 Product Number					
有锁芯 With key	产品单重(g) Weight	装箱数 Lot	无锁芯 w/o key	产品单重(g) Weight	装箱数 Lot
MS610-1-1	219	100	MS610-1-2	220	50
MS610-2-1	115	200	MS610-2-2	113	100
MS610-3-1	98	200	MS610-3-2	96	200

RL



MS610-1-1



MS610-2-1



MS610-3-1



MS610-3-2

- 材质: 锌合金锁体、镀锌压板、锁片
- 表面处理: 喷沙镀铬
- 适用门板厚度: 1-3mm
- 备注: 折弯锁片有左右之分
- Material: Zinc die-casting body, Zinc plating cam, fixing parts
- Finish: Gray chrome plating
- Panel thickness: 1-3mm
- Remark: Left cam and right cam are available

MS6003

按压杠杆式平面锁 Press Lever Plane Lock

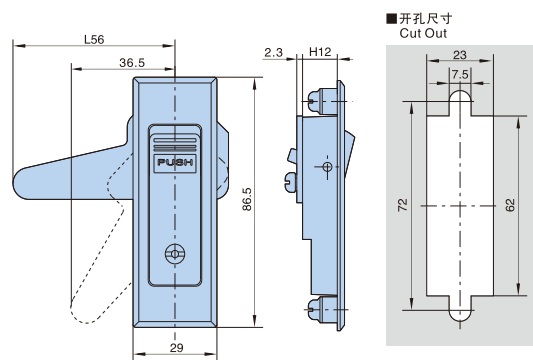


MS6003Z-2-1



MS6003Z-2-2

- 材质: 锌合金锁体, 镀锌锁片
- 表面处理: 喷沙镀铬
- 适用门板厚度: 1-3mm
- material: zinc alloy lock galvanized cam
- Finish: Pocked chrome plating
- Panel thickness: 1-3mm



产品型号及特性 Product Number		产品单重(g) Weight	装箱数 Lot
有锁芯 With key	MS6003Z-2-1	135	200
无锁芯 w/o key	MS6003Z-2-2	134	200