

MS86W Series Low-head Multi-function indicator Light D86mm LED Steady/Flashing/Rotating Lights



The MS86W series is an LED beacon featuring three selectable light patterns of Flashing or rotation for diversified uses. The clear lens makes it easier to see the light, even in bright ambient conditions.



Product Features

- Flashing, Rotation, Continuous
- Enhanced Illumination: Use of long-life, super bright LED.
- Energy Efficient: Low power consumption.
- Main Body: heat resistant ABS resin.
- Cap Lens: impact and heat resistant polycarbonate resin.
- Installation: Indoor
- Available Colors: Red, Yellow, Green, Blue, Clear

**Max 80dB at 1m
24V Only**

Ordering Information

MS86W - R 0 0 - R
 ① ② ③

1. Light Style

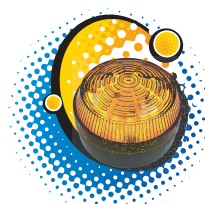
R	LED Steady + Flashing + Rotating
B	LED Steady + Flashing + Rotating + Buzzer <i><Buzzer function - 24V Only></i>

2. Power Supply

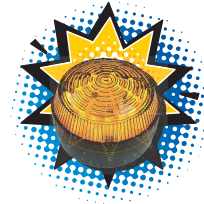
00	12~24V AC/DC
-----------	--------------

3. Lens Colors

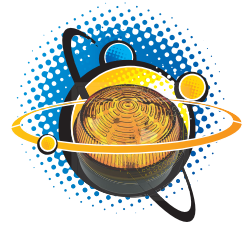
R	Red	B	Blue
Y	Yellow	C	Clear
G	Green		



■ Steady light



■ Flashing light



■ Rotating light

Functional Specifications

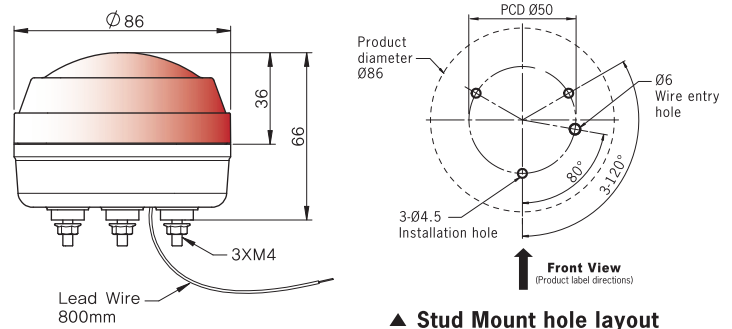
LED Color Code		R (red), Y (yellow), G (green), B (blue), C (Clear)					
Current	Illumination Color	Red	Yellow	Green	Blue	Clear	Buzzer
	12~24V (Maximum value)		500mA	500mA	305mA	350mA	375mA
Flashing Cycle		Approx. 80 ±10 flashes per minute					
Rotating Cycle		Approx. 130 ±20 rpm (Clockwise rotation)					
Buzzer sound level		80dB ±5dB (at 1M)					

Note: Life of the LED varies according to operating conditions and environment.

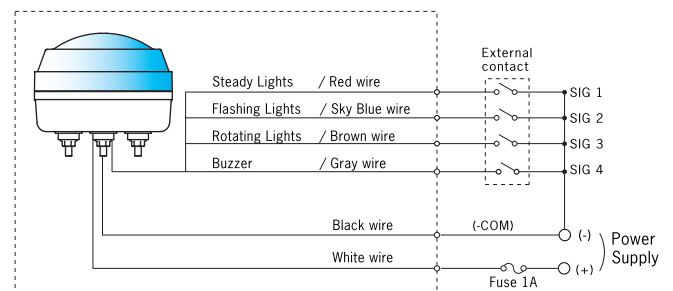
General Specifications

Size	86mm diameter
Input Voltage Options	12~24V AC/DC
Functions Available	Continuous+Flashing+Rotating+Buzzer
Operating Humidity	45 to 85% RH (no condensation)
Ambient Temperature	-15 to 40°C (no freezing)
Storage Temperature	-20 to 70°C (no freezing)
Insulation Resistance	100MΩ minimum (500V DC megger)
Vibration Resistance	10 to 55Hz, amplitude 0.75mm
Body Color	Black
Material	- Body: ABS resin - Cap lens: PC resin - Fixing bolt: Steel
Mounting Options	- Body direct mount - L-shaped bracket - Installation: Indoor & Outdoor Use
Available Colors	Red / Yellow / Green / Blue / Clear
Protection	UL, RoHS
Degree of Protection	IP65
Function control	Lead wire
Wire specifications	22AWG (UL1007)
Weight	170g

Dimensions (Unit:mm)



Wiring Diagram



Optional Parts See page 35~37 for dimension

1. Mounting Pole



SAM-T31

SAM-D31

SAM-M31

2. Wall Mount Bracket



MAP-DS30
Plastic

MAM-DS26
Steel