



■ Features :

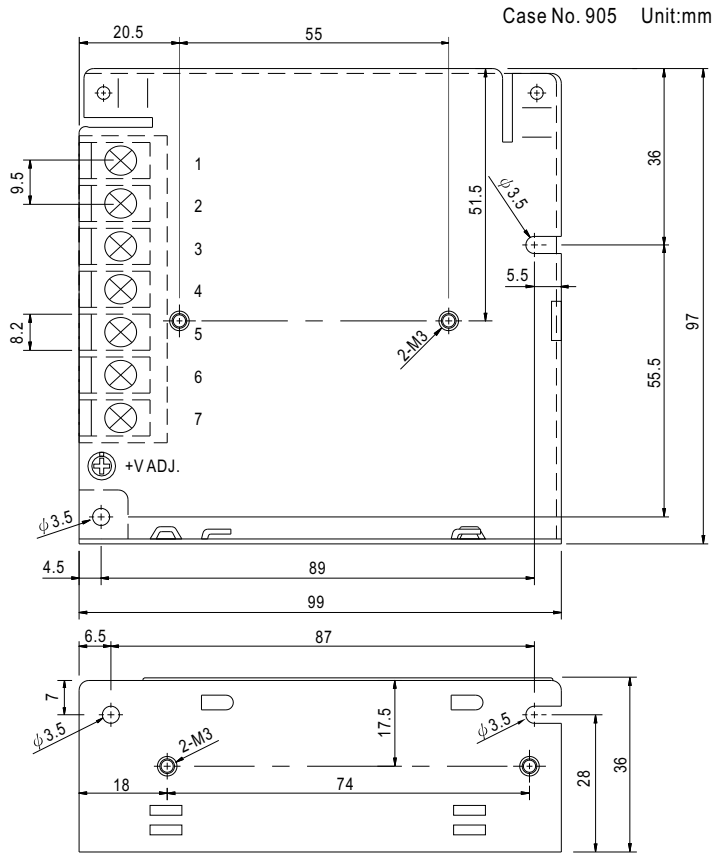
- Universal AC input / Full range
- Protections: Short circuit / Overload / Over voltage
- Cooling by free air convection
- 100% full load burn-in test
- 2 years warranty



SPECIFICATION

| MODEL | NED-35A | | NED-35B | | |
|--------------------------------------|---|---|------------|------------------|------------|
| OUTPUT | OUTPUT NUMBER | CH1 | CH2 | CH1 | CH2 |
| | DC VOLTAGE | 5V | 12V | 5V | 24V |
| | RATED CURRENT | 4A | 1A | 2.2A | 1A |
| | CURRENT RANGE <small>Note.6</small> | 0.5 ~ 5A | 0.1 ~ 1.5A | 0.5 ~ 4A | 0.2 ~ 1.3A |
| | RATED POWER | 32W | | 35W | |
| | RIPPLE & NOISE (max.) <small>Note.2</small> | 80mVp-p | 120mVp-p | 80mVp-p | 200mVp-p |
| | VOLTAGE ADJ. RANGE | CH1: 4.75 ~ 5.5V | | CH1: 4.75 ~ 5.5V | |
| | VOLTAGE TOLERANCE <small>Note.3</small> | ±2.0% | ±6.0% | ±2.0% | ±6.0% |
| | LINE REGULATION <small>Note.4</small> | ±0.5% | ±1.0% | ±0.5% | ±1.0% |
| | LOAD REGULATION <small>Note.5</small> | ±1.5% | ±3.0% | ±1.5% | ±3.0% |
| SETUP, RISE TIME | 500ms, 30ms/230VAC 1200ms, 30ms/115VAC at full load | | | | |
| HOLD UP TIME (Typ.) | 50ms/230VAC 10ms/115VAC at full load | | | | |
| INPUT | VOLTAGE RANGE | 85 ~ 264VAC 120 ~ 370VDC | | | |
| | FREQUENCY RANGE | 47 ~ 63Hz | | | |
| | EFFICIENCY (Typ.) | 78% | | 81% | |
| | AC CURRENT (Typ.) | 0.75A/115VAC 0.5 A/230VAC | | | |
| | INRUSH CURRENT (Typ.) | COLD START 45A | | | |
| LEAKAGE CURRENT | <2mA / 240VAC | | | | |
| PROTECTION | OVERLOAD | 110 ~ 150% rated output power Protection type : Hiccup mode, recovers automatically after fault condition is removed | | | |
| | OVER VOLTAGE | CH1: 5.75 ~ 6.75V Protection type : Shut down o/p voltage, re-power on to recover | | | |
| ENVIRONMENT | WORKING TEMP. | -20 ~ +60°C (Refer to output load derating curve) | | | |
| | WORKING HUMIDITY | 20 ~ 90% RH non-condensing | | | |
| | STORAGE TEMP., HUMIDITY | -40 ~ +85°C, 10 ~ 95% RH | | | |
| | TEMP. COEFFICIENT | ±0.03%/°C (0 ~ 45°C) | | | |
| VIBRATION | 10 ~ 500Hz, 2G 10min./1cycle, period for 60min. each along X, Y, Z axes | | | | |
| SAFETY & EMC <small>(Note 7)</small> | SAFETY STANDARDS | UL60950-1, CB(IEC60950-1) Approved | | | |
| | WITHSTAND VOLTAGE | I/P-O/P:3KVAC I/P-FG:1.5KVAC O/P-FG:0.5KVAC | | | |
| | ISOLATION RESISTANCE | I/P-O/P, I/P-FG, O/P-FG:100M Ohms/500VDC | | | |
| | EMI CONDUCTION & RADIATION | Compliance to EN55022 (CISPR22) Class B | | | |
| | HARMONIC CURRENT | Compliance to EN61000-3-2,-3 | | | |
| EMS IMMUNITY | Compliance to EN61000-4-2, 3, 4, 5, 6, 8, 11, ENV50204, EN55024, EN61000-6-1 Light industry level, criteria A | | | | |
| OTHERS | MTBF | 402.7Khrs min. MIL-HDBK-217F (25°C) | | | |
| | DIMENSION | 99*97*36mm (L*W*H) | | | |
| | PACKING | 0.36Kg; 45pcs/17.2Kg/0.93CUFT | | | |
| NOTE | <ol style="list-style-type: none"> 1. All parameters NOT specially mentioned are measured at 230VAC input, rated load and 25°C of ambient temperature. 2. Ripple & noise are measured at 20MHz of bandwidth by using a 12" twisted pair-wire terminated with a 0.1uF & 47uF parallel capacitor. 3. Tolerance : includes set up tolerance, line regulation and load regulation. 4. Line regulation is measured from low line to high line at rated load. 5. Load regulation is measured from 20% to 100% rated load, and other output at 60% rated load. 6. Each output can work within current range. But total output power can't exceed rated output power. 7. The power supply is considered a component which will be installed into a final equipment. The final equipment must be re-confirmed that it still meets EMC directives. | | | | |

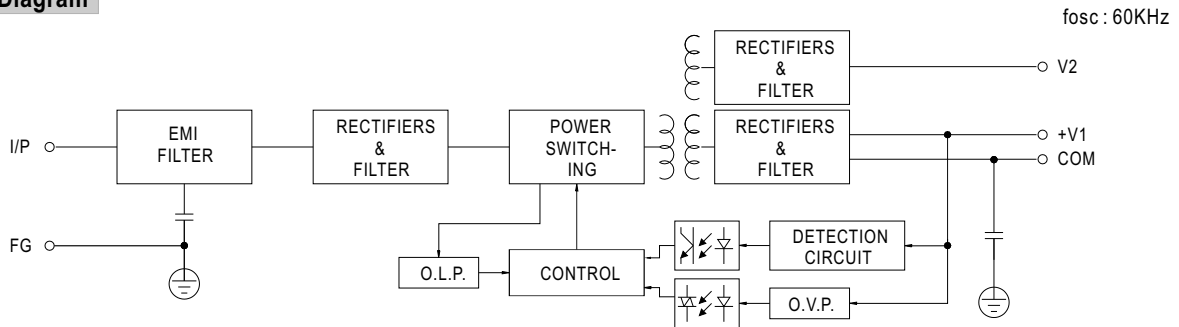
Mechanical Specification



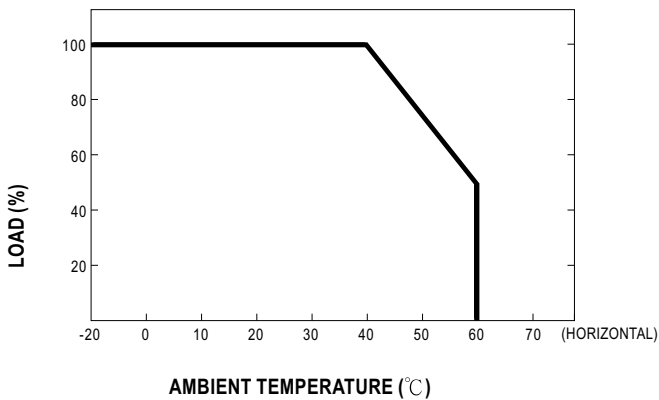
Terminal Pin. No Assignment

| Pin No. | Assignment | Pin No. | Assignment |
|---------|---------------|---------|---------------|
| 1 | AC/L | 5 | DC OUTPUT +V2 |
| 2 | AC/N | 6 | DC OUTPUT COM |
| 3 | FG \perp | 7 | DC OUTPUT +V1 |
| 4 | DC OUTPUT COM | | |

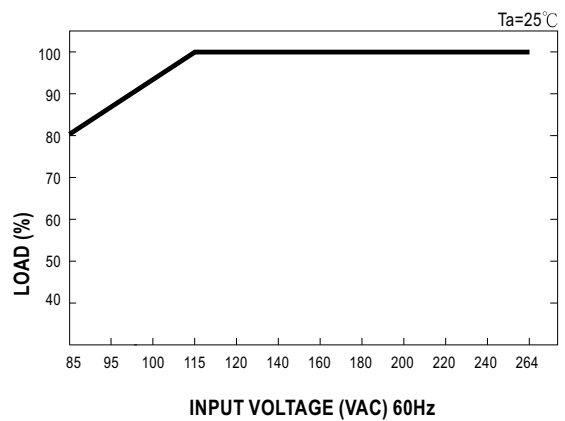
Block Diagram



Derating Curve



Output Derating VS Input Voltage



Mouser Electronics

Authorized Distributor

Click to View Pricing, Inventory, Delivery & Lifecycle Information:

[MEAN WELL:](#)

[NED-35A](#) [NED-35B](#)