



NP2 Series

1. General

Electric ratings: AC50/60Hz, AC380V/DC220V;
 Degree of protection: IP40
 Standard: IEC/EN60947-5-1

2. Operating conditions

- 2.1 Ambient temperature is -5°C~+40°C, the average temperature during 24 hours couldn't exceed +35°C.
- 2.2 Altitude: ≤2000m.
- 2.3 Atmosphere condition: Relative humidity of the atmosphere couldn't exceed 50% when the highest temperature is +40°C; much higher relative humidity is allowable under the condition of lower temperature, for example, when the temperature reaches +20°C, the relative humidity is up to 90%. As for dews, which contingently appear due to change of temperature, special steps should be taken.
- 2.4 Pollution degree: 3
- 2.5 Overvoltage category: II
- 2.6 Tightening torque is 0.8~1.2N·m for the cable terminals. Cross section of the cable connection is 0.5~2.5mm², and 8mm conductor length is needed.

3. Technical data

- 3.1 Rated insulation voltage U_i : 415V
- 3.2 Conventional thermal current I_{th} : 10A

Rated operational voltage U_e (V)	Rated operational current I_e (A)	
	AC-15	DC-13
415	1.9	-
240	3	0.27
125	-	0.55

3.3 Durability

Electric life: Flush-headed and mushroom-headed type: AC 5×10⁵ operation circles, DC 2×10⁵ operation circles; other type: 1×10⁵ operation circles; Mechanical life: flush-headed and mushroom-headed type: 1 million operation circles, button with light: 3×10⁵ operation circles; other type: 1×10⁵ operation circles.

3.4 Short-circuit protective device: NT00-16 16A

4. Data of lamps of illuminated button

Basic parameters	Direct type
	LED lamp
Rated operational current I_e	$I_e \leq 20\text{mA}$
Rated operational voltage (V)	AC/DC 6, 12, 24, 48, 110, 230
Power supply rated operational current I_e	$I_e \leq 20\text{mA}$
Rated operational voltage (V)	AC/DC 230, 380

5. Features



- 5.1 No-dismounting of the button from the front side thanks to anti-moving operating part of metal type button;
- 5.2 Reliable contacting could be ensured because of dual functions of circuit switching and self-cleaning for all contacting points;
- 5.3 NC and NO contacting assemblies are independent to each other, and could be freely combined for convenient replacement;
- 5.4 Concealed connection terminals make the operation safe and reliable. Elegant appearance due to adoption of Aluminum and Zinc alloy in metal type button operating parts and bases.

6. NP2 Series



NP2-BA □□	Model	Color	NO	NC
	NP2-BA11	White	1	—
	NP2-BA21	Black	1	—
	NP2-BA31	Green	1	—
	NP2-BA41	Red	1	—
	NP2-BA51	Yellow	1	—
	NP2-BA61	Blue	1	—
	NP2-BA12	White	—	1
	NP2-BA22	Black	—	1
	NP2-BA32	Green	—	1
	NP2-BA42	Red	—	1
	NP2-BA52	Yellow	—	1
	NP2-BA62	Blue	—	1



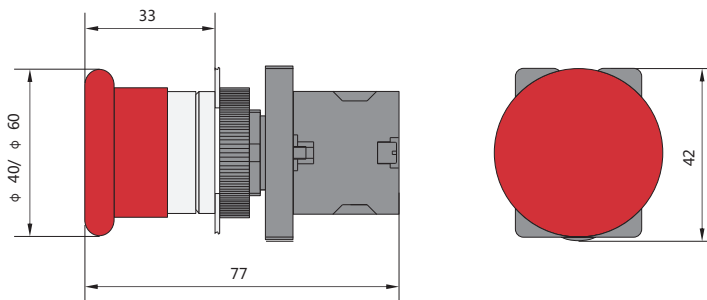
★ Φ40 Momentary Mushroom button -(Non-illuminated)

NP2-EC □□	Model	Color		
	NP2-EC11	○	1	—
	NP2-EC21	●	1	—
	NP2-EC31	●	1	—
	NP2-EC41	●	1	—
	NP2-EC51	●	1	—
	NP2-EC61	●	1	—
	NP2-EC12	○	—	1
	NP2-EC22	●	—	1
	NP2-EC32	●	—	1
	NP2-EC42	●	—	1
	NP2-EC52	●	—	1
	NP2-EC62	●	—	1
	NP2-EC13	○	2	—
	NP2-EC23	●	2	—
	NP2-EC33	●	2	—
	NP2-EC43	●	2	—
	NP2-EC53	●	2	—
	NP2-EC63	●	2	—
	NP2-EC14	○	—	2
	NP2-EC24	●	—	2
	NP2-EC34	●	—	2
	NP2-EC44	●	—	2
	NP2-EC54	●	—	2
	NP2-EC64	●	—	2
	NP2-EC15	○	1	1
	NP2-EC25	●	1	1
	NP2-EC35	●	1	1
	NP2-EC45	●	1	1
	NP2-EC55	●	1	1
	NP2-EC65	●	1	1

★ Φ60 Momentary Mushroom button -(Non-illuminated)

NP2-ER □□	Model	Color		
	NP2-ER11	○	1	—
	NP2-ER21	●	1	—
	NP2-ER31	●	1	—
	NP2-ER41	●	1	—
	NP2-ER51	●	1	—
	NP2-ER61	●	1	—
	NP2-ER12	○	—	1
	NP2-ER22	●	—	1
	NP2-ER32	●	—	1
	NP2-ER42	●	—	1
	NP2-ER52	●	—	1
	NP2-ER62	●	—	1
	NP2-ER13	○	2	—
	NP2-ER23	●	2	—
	NP2-ER33	●	2	—
	NP2-ER43	●	2	—
	NP2-ER53	●	2	—
	NP2-ER63	●	2	—
	NP2-ER14	○	—	2
	NP2-ER24	●	—	2
	NP2-ER34	●	—	2
	NP2-ER44	●	—	2
	NP2-ER54	●	—	2
	NP2-ER64	●	—	2
	NP2-ER15	○	1	1
	NP2-ER25	●	1	1
	NP2-ER35	●	1	1
	NP2-ER45	●	1	1
	NP2-ER55	●	1	1
	NP2-ER65	●	1	1

Dimensions (mm)



NP2-EC □□
NP2-ER □□

