

NVF5 Series Inverter Quick Start-Up Wizard

1. Safety Precautions

The purpose of this quick start-up wizard is to guide you to complete the basic installation, wiring and basic parameters setting, commissioning and troubleshooting for NVF5 series inverter products. For more information, please refer to the user manual or scan the QR code to get the user materials. This NVF5 series products have been strictly tested and packaged before leaving the factory. If abnormal information such as inverter damage and wrong delivery is found, please contact Chint channel or the relevant office or call Chint oversea hotline : 400-1177-797



Attention :



Danger

- ❖ It is not permitted to conduct unauthorized modification in case of the danger of fire/electric shock and other hurt !
- ❖ Installation must be conducted by qualified personnel in case of the danger of electric shock !
- ❖ Please install the inverter on the metal equipmen(supplementary enclosure) or other non-combustible objects in case of the danger of fire!
- ❖ It is not permitted to place combustibles nearby in case of the danger of fire!
- ❖ The products should be installed with either fuses or an input circuit breaker between the inverter and power supply in case of danger of fire!
- ❖ It is not permitted to install the inverter in an environemnt containing explosive gases in case of the danger of explosion!
- ❖ It is not permitted to insall the inverter at a place directly exposed in sunlight in case of the danger of equipment damage!
- ❖ It is not permitted to install the inverter on occasions where water splashing in case of the danger of equipment damage!

Installation Dimensions :

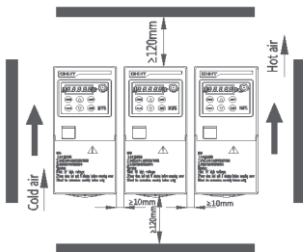


Figure 1-1

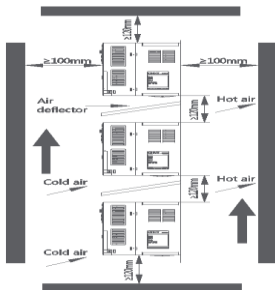


Figure 1-2

2.Catalog Number Description, Product Models, Dimensions and Weights

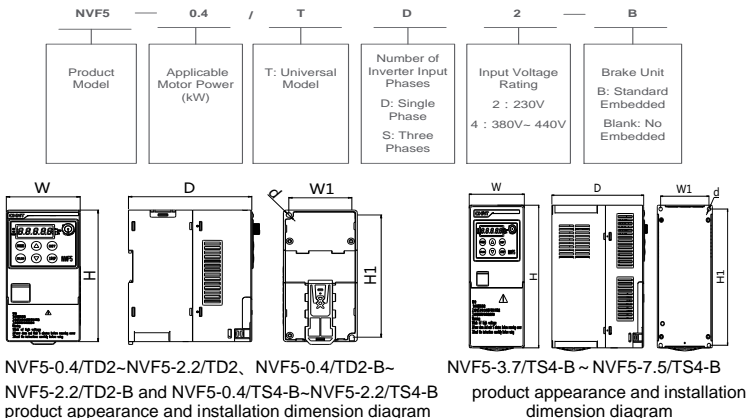


Figure 2-1

Figure 2-2

| Catalog No. | Adaptive Motor kW | Output Current A | Brake Unit | Unit (mm) | | | | | Weight kg | | | | | | | | |
|--------------------------|-------------------|------------------|---------------------|-----------|-------|-------|-------|-------|-----------|-----------------|------|-----|-------|------|-------|------|------|
| | | | | W | H | D | W1 | H1 | | Mounting Hole d | | | | | | | |
| Single Phase AC 230V | | | | | | | | | | | | | | | | | |
| NVF5-0.4/TD2 | 0.4 | 2.5 | Optional (embedded) | 75 | 148 | 125.2 | 64 | 137.5 | Φ5.3 | 1.2 | | | | | | | |
| NVF5-0.4/TD2-B | | | | | | | | | | | | | | | | | |
| NVF5-0.75/TD2 | 0.75 | 5 | | | | | | | | | | | | | | | |
| NVF5-0.75/TD2-B | | | | | | | | | | | | | | | | | |
| NVF5-1.5/TD2 | 1.5 | 7.5 | | | | | | | | | | | | | | | |
| NVF5-1.5/TD2-B | | | | | | | | | | | | | | | | | |
| NVF5-2.2/TD2 | 2.2 | 10 | 75 | 148 | 146.7 | 64 | 137.5 | Φ5.3 | 1.25 | | | | | | | | |
| NVF5-2.2/TD2-B | | | | | | | | | | | | | | | | | |
| Three Phase AC 380V~440V | | | | | | | | | | | | | | | | | |
| NVF5-0.4/TS4-B | 0.4 | 1.5 | Standard (embedded) | 75 | 148 | 125.2 | 64 | 137.5 | Φ5.3 | 1.03 | | | | | | | |
| NVF5-0.75/TS4-B | 0.75 | 2.7 | | | | | | | | | | | | | | | |
| NVF5-1.5/TS4-B | 1.5 | 4.2 | | | | | | | | | | | | | | | |
| NVF5-2.2/TS4-B | 2.2 | 5.8 | | | | | | | | | | | | | | | |
| NVF5-3.7/TS4-B | 3.7 | 10.5 | | | | | | | | | 89.5 | 206 | 149.2 | 78.5 | 196.8 | Φ5.5 | 1.79 |
| NVF5-5.5/TS4-B | 5.5 | 13 | | | | | | | | | 118 | 216 | 163.4 | 105 | 205 | Φ6 | 2.78 |
| NVF5-7.5/TS4-B | 7.5 | 17 | | | | | | | | | | | | | | | |

3.Installation and Wiring

3.1 Power Terminal Description

- (1) Single Phase 230V(NVF5-0.4/TD2~2.2/TD2 and NVF5-0.4/TD2-B~2.2/TD2-B) (2) Three Phase 380V(NVF5-0.4/TS4-B~7.5/TS4-B)



NVF5-0.4/TD2~2.2/TD2 and NVF5-0.4/TD2-B~2.2/TD2-B Power Terminal

Figure 3-1



NVF5-0.4/TS4-B~7.5/TS4-B

Power Terminal

Figure 3-2

| Terminal | Name | Description |
|----------|--------------------------------|---|
| R, S, T | Main Power Supply Input | The three-phase AC input terminals ,connecting with the power grid |
| L1, L2 | Main Power Supply Input | The Single-Phase AC input terminals ,connecting with the power grid |
| U, V, W | Inverter Output | The three-phase AC output terminals ,connecting with the AC motor |
| | Grounding | Grounding terminals,ensure reliable grounding |
| P+ P- | DC Bus Terminals | Single phase type DC+ and DC- |
| P B | Outer Brake Resistor Terminals | Three phase type brake resistor terminals |
| P+ B | | Single phase type brake resistor terminals |

3.2 Power terminal and I/O terminal block diagram

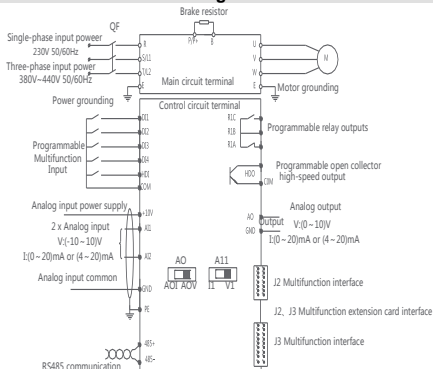


Figure 3-3

AO Dip Switch: Left, (0~20) mA or (4~20) mA Analog Current Output; Right, (0~10) V Analog Voltage Output.

A11 Dip Switch: Left, (0~20) mA or (4~20) mA Analog Current input; Right, (0~10) V Analog Voltage input.

A12: Current Output need to be customized.

Wiring Demonstration :

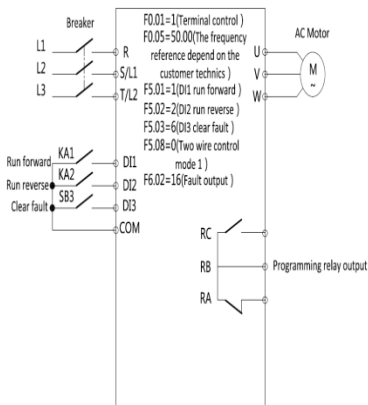
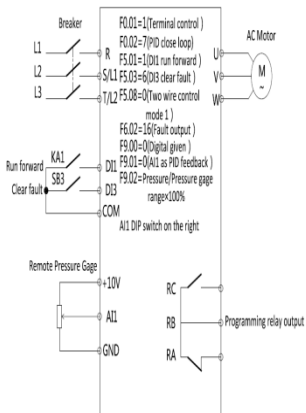


Figure 3-4: Terminal start, Stop, Clear fault and Fault indication



Refer to the description of 6.2.7 of Chapter 6

Figure 3-5: PID constant pressure water supply control (Remote Pressure Gauge)

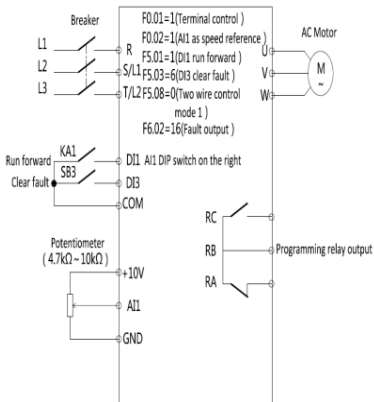
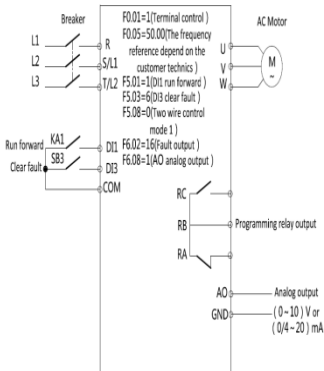


Figure 3-6: Speed regulation by external potentiometer



AO Dip Switch : Left, (0-20) mA or (4-20) mA Analog Current Output

Right, (0-10) V Analog Voltage Output

Figure 3-7: (0-10) V Analog Voltage Output or (0/4-20) mA Analog Current Output

4. Integral Keypad

4.1 Integral Keypad and Indicators

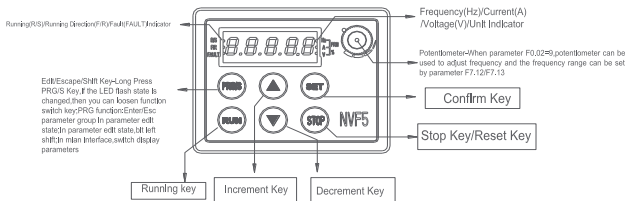








Figure 4-1

4.2 Combination key Function Description

| Key | Description | |
|--|---|--------------------------|
|  +  | Parameter Menu Mode Selection (F7.11) 1、 Simple Parameter Menu Mode (U-1) 2、 Custom Parameter Menu Mode (U-2) 3、 Engineering Parameter Menu Mode (U-3) | |
|  +  | The system is under the main interface In custom menu mode, in menu level one | Lock Combinational Key |
|  +  | The system is under the main interface In custom menu mode, in next level menu | Unlock Combinational Key |
| | | Delete custom parameters |

4.3 Parameter Menu Mode Demonstration

Simple parameter menu mode demonstration :

Below example is how to set parameter F0.05 from 5.00Hz to 10.00Hz in Simple Parameter Menu Mode.

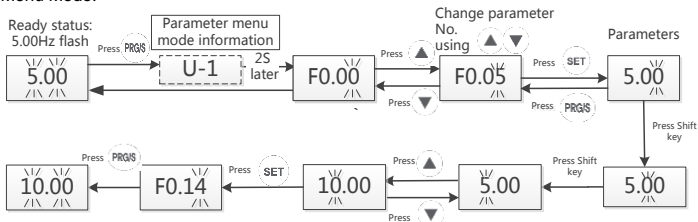


Figure 4-2 Simple Menu Mode Parameter Setting

5. Simple Parameter Menu and Commissioning Process

5.1 Simple Parameter Menu List

| Code | Name | Attribute | Parameter Description | Default |
|-------|--------------------|-----------|---|---------|
| F0.00 | Motor Control Mode | 0 | 0: Sensorless Vector Control 1: Reserve 2: V/F Mode | 0 |

| | | | | |
|-------|---------------------------|---|---|----------------------|
| F0.01 | Command Source | ○ | 0: Integral Keypad 1: Digital Terminal 2: Communication 3: Remote Panel | 0 |
| F0.02 | Main Frequency Reference | ○ | 0: Digital Given 1: AI1 2: AI2 3: Reserve 4: High Speed Pulse HDI Reference 5: Preset Speed Reference 6: Simple PLC Reference 7: Close Loop PID Reference 8: Reserve 9: Potentiometer Reference | 0 |
| F0.05 | Digital Given | ○ | F0.09-Min. Frequency~F0.08-Max. Frequency | 5.00Hz |
| F0.14 | Accelerate Time 1 | ○ | (0.0~6500.0) s | Depend on Series |
| F0.15 | Decelerate Time 1 | ○ | (0.0~6500.0) s | Depend on Series |
| F0.20 | Parameter Factory Default | ● | 0: No Effect 1: Fault Log Clear 2: Set to Factory Default (Except Motor NP Parameters and Parameter F7.11) 3: Reset Custom Parameter Group to Factory Default (Except Motor NP Parameters and Parameter F7.11) 4: All Parameter Reset to Factory Default 5: Back Up Parameters 6: Using Back Up Parameters 7: Saving Back Up Parameters Note : Only when you are using backup parameters,backup parameter are able to be saved.Otherwise when power off then re-power the inverter,except the updated parameters other parameters are always initial value. | 0 |
| F2.00 | Motor Type | ○ | 0: AC Induction Motor 1: Reserve 2: Reserve | |
| F2.01 | Motor Power NP | ● | (0.1 ~ 1000.0) kW | Depend on motor type |
| F2.02 | Motor Voltage NP | ● | 0V ~ Inverter Rated Voltage | Depend on motor type |
| F2.03 | Motor Current NP | ● | (0.1~1000.0) A | Depend on motor type |
| F2.04 | Motor Frequency NP | ● | 0.01Hz ~ F0.07 | Depend on motor type |
| F2.05 | Motor Poles | ● | 2 ~ 24 | 4 |
| F2.06 | Motor NP RPM | ● | (0~60000) rpm | 1430rpm |
| F2.22 | Motor Auto Tuning | ● | 0: No Operation 1: Static Tune 2: Rotate Tune | 0 |
| F7.11 | Parameter Menu Mode | ● | 1: Simple Menu Mode 2: Custom Menu Mode 3: Engineering Menu Mode | 1 |

5.2 Simple Commissioning Process

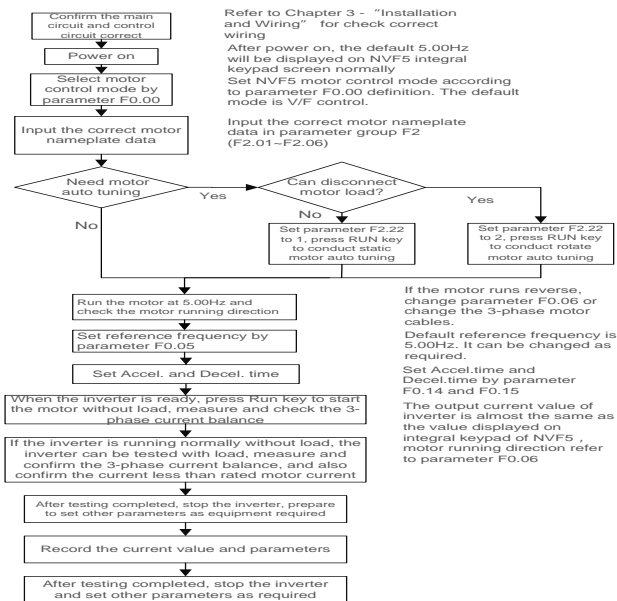


Figure 5-1

6. Fault description and Trouble shooting

If a fault appears, Please see for an explanation of the fault code and check by yourself firstly before asking for help from Chint or Chint channels. When you need support, please contact Chint or Chint channels.

| Code | Fault Type | Fault reason | Action |
|-------|---|---|--|
| E.OC1 | Inverter Accel. running overcurrent | Low grid voltage Directly and quickly start rotating motor | Check the input power supply Increase accel. time |
| E.OC2 | Inverter Decel. running overcurrent | Incorrect Motor Nameplate Too small inverter power Unsuitable V / F curve Potential Energy Load or Big Inertial Load | Motor auto tuning Enlarge inverter power rate Adjust V/F curve or adjust manual torque boost |
| E.OC3 | Inverter constant speed running overcurrent | Accel./Decel. Time too short Load Fast Change | Add Regen. Brake Components Check load |

| | | | |
|-------|---|--|---|
| E.OV1 | Inverter Accel. running overvoltage | Motor short circuit to ground Abnormal input voltage | Check motor cable Check the input power supply Start inverter when motor stop Add Regen. Brake Components Increase decel. time Refer to Parameter Group F3 about how to set ASR |
| E.OV2 | Inverter Decel. running overvoltage | Motor quick start again at high speed Potential Energy Load or Big Inertial Load Increase decel. time Incorrect setting of Parameter ASR | |
| E.OV3 | Inverter constant speed running overvoltage | in vector control Big Inertial Load | |
| E.SPI | Input Lose Phase | R.S.T lose phase | Checking Main Power Terminal Wiring |
| E.SPO | Output Lose Phase | U.V.W lose phase | Check Input Voltage Check Motor Cable Check Motor and Cable |
| E.FO | Power Module Protection | The output three-phase with interphase short circuit or ground short circuit Inverter instantaneous overcurrent Fan duct blockage or fan damage High ambient temperature Loose I/O wiring or plug Current waveform anomaly due to output lose-phase and other reasons Aux. power supply damage, drive voltage undervoltage IGBT Module Damage Control Board Abnormal | Re-wire, confirm the motor insulation See overcurrent handling Clear the fan duct or replace the fan Lower ambient temperature Check wiring and re-wire Checking wiring Asking for Chint technical support |
| E.OH1 | Heat Sink Overheat | High ambient temperature Fan duct blockage | Lower ambient temperature Clear the fan duct Replace the fan Asking for Chint technical support |
| E.OH2 | Rectifier Bridge Overheat | Fan damage IGBT abnormal Temperature checking circuit error | |
| E.OL1 | Motor Overload | Incorrect Motor Overload Ratio Motor Stall or load change frequently Long time low speed running with excessive load | Input correct motor overload ratio Check motor load Select Frequency conversion motor Check grid voltage Adjust V/F curve or adjust manual torque boost Motor auto tuning Enlarge inverter power rate Reduce DC brake current, increase brake time Increase accel. time |
| E.OL2 | Inverter Overload | Low grid voltage Unsuitable V / F curve Incorrect Motor Nameplate Excessive load Excessive DC Brake Accel. Time too short | |
| E.tE | Auto Tuning | Set Wrong Motor Data Reverse Auto Tuning is prohibited in reverse running Poor contact of motor connecting cable Auto Tuning Overtime | Set correct motor data Disable Reverse Check motor cable Check Parameter F0.08 (Frequency Max.) whether is smaller than rated frequency |
| E.STG | Motor short circuit to ground | Motor short circuit to ground | Check motor cable |
| E.LL | Load Loss Fault | Inverter Current is Smaller than the value of Parameter FE.18 | Check whether load loss or parameter FE.17、FE.18、FE.19 parameter setting |