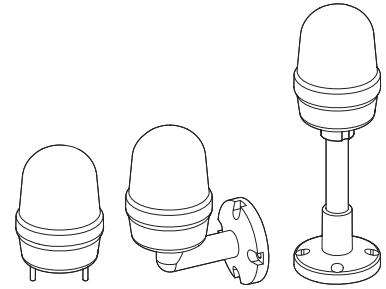


# LED Steady/Flashing Signal Light

## Q125L series



Thank you for purchasing Qlight's products. Please read this user manual carefully prior to installation and operation to ensure safe and correct use.

### ⚠ Precautions for Safety

Failure to follow the instructions below may cause a loss of life or serious physical injury.

1. During wiring or maintenance, please completely turn off the power of the product. (Failure to follow this may lead to an electric shock.)
2. Do not install the product in locations that subjects it to excessive dust or water other than the conditions designated by the IP protection ratings indicated for each product. (Failure to follow these instructions may cause a fire to the product, electric shock, physical injury, malfunction or damage to the product.)
3. Do not alter or repair this product. If maintenance or repair service is required, please contact your local Qlight contact point. (Failure to follow these instructions may lead to fire, electric shock, or product damage.)
4. Please apply the correct voltage to the product. (Failure to follow these instructions may lead to fire, electric shock, or product damage.)
5. When the product is applied to a condition that may impact lives or property, please make sure to have a double safety device. (Failure to follow this may cause damage to property, fire, electric shock and loss of life.)

### ⚠ Precautions for Correct Use

Failure to follow the proper instructions may cause damage to property, the product, or malfunction of the product that would void the warranty.

1. Please remove any objects that can interrupt ventilation around the product.
2. Please turn off the power of the product immediately if it fails to operate properly.
3. Carefully wire the product according to each product's specification.
4. Please be careful in preventing chemicals such as thinner, benzene, etc. in contact with the surface of the product.
5. Do not apply excessive force/impact to the product.
6. Failure to follow any of the instructions above may cause malfunction or damage to the product, fire, and electric shock.

### Ordering Specifications

Q125LP	BZ	110/220	R	QZ24
[Model number]	[Buzzer]	[Voltage]	[Color]	[Mounting option]
• Q125L	• (Blank)	• 12 / 24	R-Red	• (Blank)
• Q125LW	- No buzzer type	• DC12V-24V	A-Amber	- Standard type
• Q125LP	• BZ -Built-in buzzer type	• 110 / 220 • AC110V-220V	G-Green B-Blue	• Mounting type - LB24 - LW24 - SZ24 - QZ24 - SL24 - QL24 - QLA24

### Product Specifications

Model number	Voltage	Current	Certificate	Weight	Color
Q125L Q125LW Q125LP	DC12V -24V	MAX. 0.255A		• Q125L - 0.34kg • Q125LW - 0.76kg • Q125LP - 1.28kg (Weight Above Include QZ24)	R-Red A-Amber G-Green B-Blue
	AC110V -220V	MAX. 0.067A			

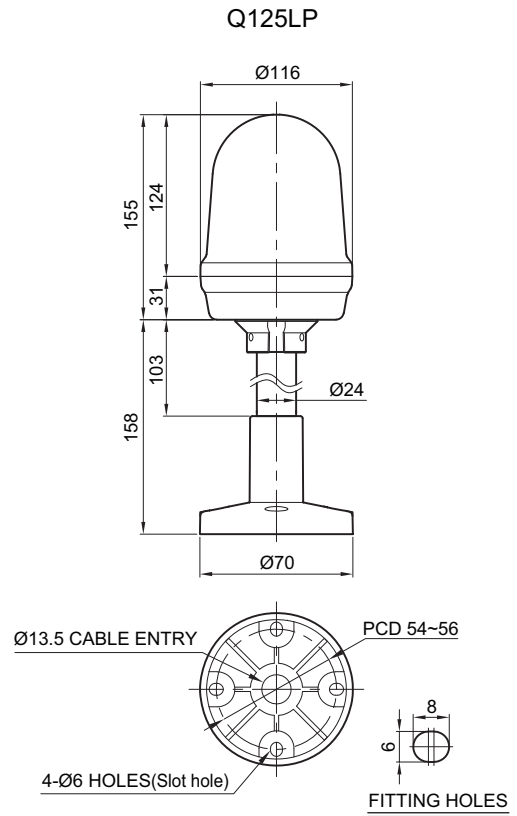
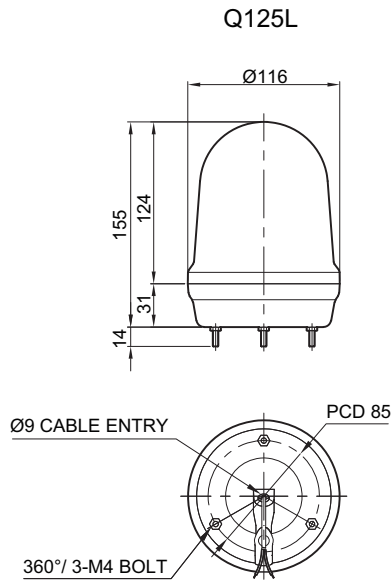
※ UL listed : DC24V

- Protection rating : IP65
- Ambient operating temperature : -30°C to +50°C

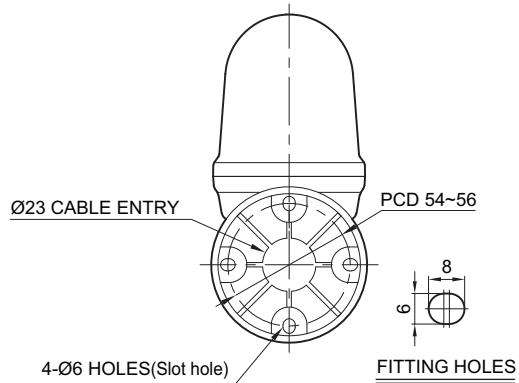
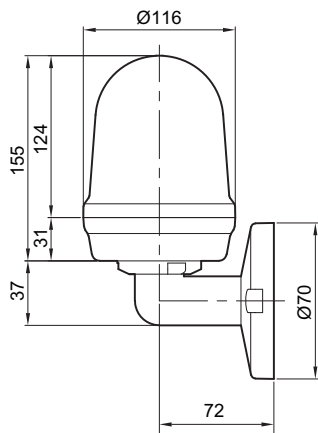


Please scan the QR code for more detailed product information.

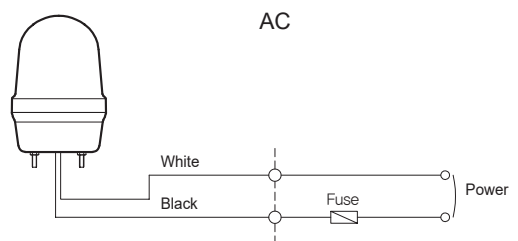
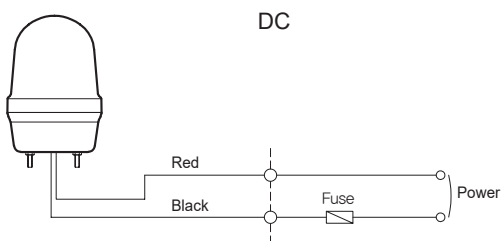
[www.qlight.com](http://www.qlight.com)



Q125LW



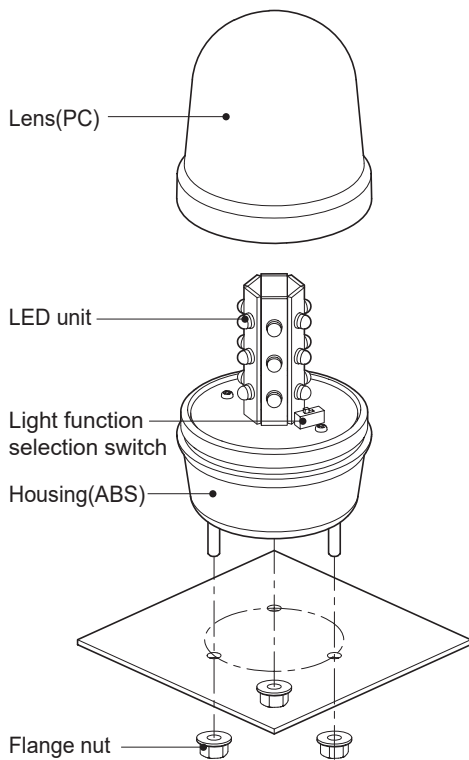
Wiring Instructions



- External power line - UL1015 AWG18(0.75sq) x 2C 400mm
- This product can be wired regardless of polarity.
- For built-in buzzer type, there is a shared supply line for the buzzer and lighting element.

## Parts Definition/ Installation/ Light Function Selection

### ■ Parts Definition

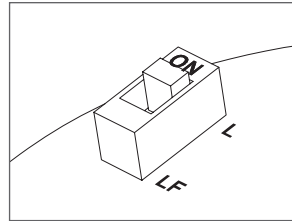


### ■ Installation

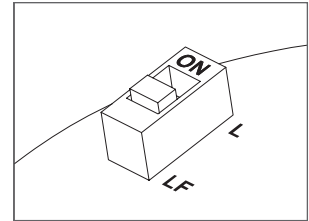
- First, remove the flange nuts from bolts and place the product through the mounting surface holes.
- Fasten the flange nuts on the opposite side of the mounting surface until the product is tightened securely.

### ■ Light Function Selection

- Please refer to the chart below to use light function selection switch located inside the product.



► L : Steady

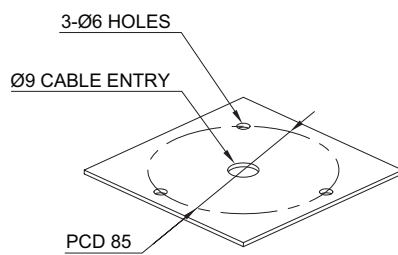


► LF : Flashing

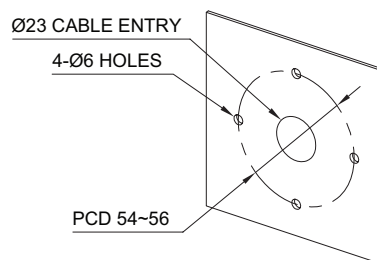
- Default function is set at steady LED. Select the desired function for your application during installation.

## Mounting Hole Specifications

- Machine holes on the mounting surface referring to the diagram below.



Q125L



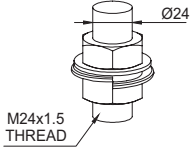
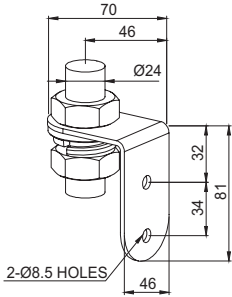
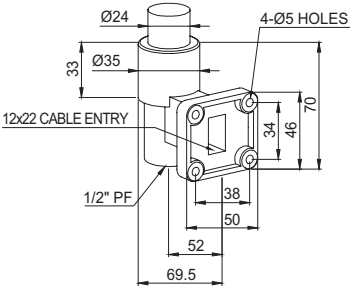
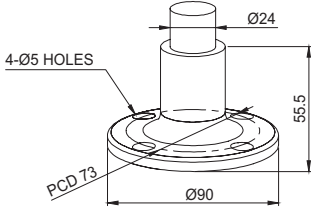
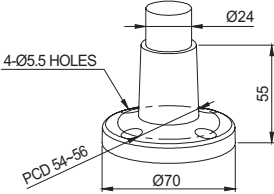
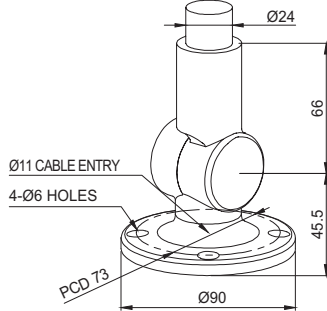
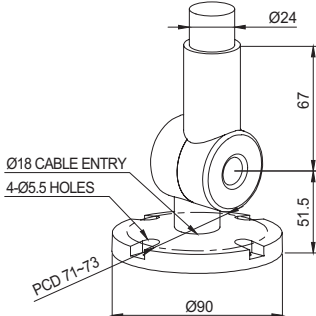
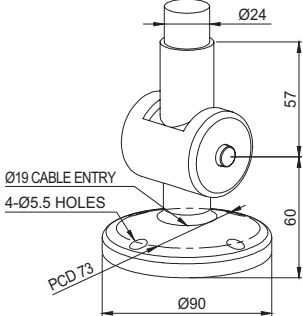
Q125LW

## Installation Environment and Protection Rating

- This product is designed for use with protection rating of IP65.
- If the product is installed in locations that subject it to excessive dust or water other than the designated IP protection rating indicated (IP65), it may cause malfunction or damage to the product.
- In case of outdoor applications, install the product in the upright position. Do not install the product horizontal or upside down positions where water can potentially penetrate into the product and impact its operation.
- For further information, please visit our website ([www.qlight.com](http://www.qlight.com)).

# Mounting Accessories (Sold Separately)

• Please refer to the dimensions below for installation of mounting brackets.

	Dimensions	
<p>Q125LP</p>  <p>M24x1.5 THREAD</p> <p>Ø24</p>	<p>24mm SCREW &amp; NUT</p>	 <p>70 46 Ø24 32 34 81 2-Ø8.5 HOLES 46</p> <p>LB24</p>
	 <p>Ø24 33 Ø35 12x22 CABLE ENTRY 1/2\" PF 4-Ø5 HOLES 70 34 46 38 50 52 69.5</p> <p>LW24</p>	 <p>Ø24 4-Ø5 HOLES PCD 73 Ø90 55.5</p> <p>SZ24</p>
	 <p>Ø24 4-Ø5.5 HOLES PCD 54-56 Ø70 55</p> <p>QZ24</p>	 <p>Ø24 66 Ø11 CABLE ENTRY 4-Ø6 HOLES PCD 73 Ø90 45.5</p> <p>SL24</p>
	 <p>Ø24 67 Ø18 CABLE ENTRY 4-Ø5.5 HOLES PCD 71-73 Ø90 51.5</p> <p>QL24</p>	 <p>Ø24 57 Ø19 CABLE ENTRY 4-Ø5.5 HOLES PCD 73 Ø90 60</p> <p>QLA24</p>

## Technical Certification

- Qlight products are designed to meet strict quality and technical standards. Thus, the Qlight brand is widely recognized for its high quality and technical innovations from leading institutions around the world.



### ISO International Organization for Standardization

Qlight quality assurance systems have been certified by ISO by applying the ISO 9001:2008, KS Q ISO 9001:2009 regulation.



### IECEX International Explosion Proof Certification (IECEX)

Certified that Qlight's products are being manufactured and manage according to international standards.



### ATEX The European Regulatory Framework or Manufacture, Installation and Use of Equipment in Explosive Atmospheres

Qlight's explosion proof products comply with ATEX Directives 94/9/EC.



### NEPSI National Supervision and Inspection Center for Explosion Protection and Safety of Instrumentation

Qlight's design and manufacturing system meets the People's Republic of China National explosion proof Standard. (Chinese Standard-GB3836/GB12476)



### KCs Explosion Proof Device Safety Certification System

The safety performance of machines and equipment subject to safety certification and Technical capability and production system have been certified safety certification standards.



### TIIS Japan Explosion-proof Certification

TIIS is a Japanes explosion proof test and certification system accordance with the Ministry of Health, Labour and Welfare Notice and the explosion proof guidelines for factory electrical equipment. Qlight's explosion proof products hasve been tested and certified by TIIS.



### CCS China Classification Society

Qlight's design and quality assurance system has been certified by the China Classification Society.



### RMRS Russian Maritime Register of Shipping

Qlight's design and quality assurance system has been certified from Russian Maritime Register of Shipping.



### LR Lloyd's Register

Qlight's design and quality assurance system has been certified from Lloyd's Register.



### KR Korean Register of Shipping

Qlight's design and quality assurance system has been certified by the Korean Register of Shipping.



### KC Korea Safety Certification

Qlight's products are certified by KC for preventing accident caused by fire.



### E-mark Commission Directive Regarding Vehicle Industry

Qlight has obtained EU mark for approved vehicles and vehicle components sold into the EU(EEA : European Economic Area)



### ICAO International Civil Aviation Organization

Qlight guarantees our products satisfy the criteria regulated by the International Civil Aviation Organization(ICAO, FAA).



### KCC Conformity Assessment of Broadcasting Communication Equipment

Qlight has been certified to protect the electromagnetic environment that causes unwanted electromagnetic waves from the device, communication failure due to other devices or external radio waves, and malfunction of the device.



### UL Underwriters Laboratories

Qlight's design and quality assurance system has been certified from UL to ensure the stability of consumption goods and to protect consumers.



### CCCF China Certification Center for Security & Protection

Qlight has passed the rigorous examination process of "Passing Fire Protection Products Centering" In order to sell fire-fighting products such as fire alarm equipment to Chinese market.



### CCC China Compulsory Certificate

Qlight's has obtained CCC which guarantees safety, protection against fraud, environment, etc.



### CE European Commission

Qlight has been certified by the European Commission.



### RoHS2 Restriction of Hazardous Substances Directive

Qlight c omplies with the Restriction of Hazardous Substances Directive by limiting its use of hazardous materials.







For your safety

Specification and dimensions listed in this catalogue subject to change without notice for product quality improvement.  
The newest product information is available on our website.(www.qlight.com)  
Please read the instruction manual attached to the product carefully before installation and use.

*Qlight Co., Ltd. www.qlight.com | trade@qlight.com*

Head Office | Suite #1510, STX-V Tower, 128 Gasan digital 1-ro, Geumcheon-gu, Seoul, Korea

Tel. +82-2-2679-6152(Toll free. +82-80-328-2222) Fax. +82-2-2679-6154

Factory | 185-25, Mukbang-ro, Sangdong-myeon, Gimhae-si, Gyeongsangnamdo, Korea Tel. +82-55-328-1111(Toll free. +82-80-328-1111)

Qlight OverSEAs Sales Dept | 704 Nakdong-daero, Sasang-gu, Busan, Korea(Eomgung-Dong) Tel : +82-51-620-4100

Qlight Public Relations & Marketing Team Office | 704 Nakdong-daero, Sasang-gu, Busan, Korea(Eomgung-Dong) Tel. +82-51-245-0017

---

*Qlight USA, Inc. www.qlight.com www.qlightusa.com | sales@qlightusa.com*

3003 North First Street, Suite #341, San Jose, CA 95134 USA Tel. +1-408-519-5740 Fax. +1-408-519-5739

---

*SHANGHAI Qlight Electronic Co., Ltd. www.qlight.com www.qlightcn.com | qlightcn@qlight.com*

China Factory/ Shanghai Sales Office | #19, Nanda Road, Baoshan Area, Shanghai, China Tel. +86-21-6651-7100 Fax. +86-21-6315-3929

China Factory Site 2 (Qidong) | #33, Haiyan Road, Qidong High-tech Industrial Development Zone, Qidong, Jiangsu Province, China

Tel +86-513-8384-9999 Fax +86-513-8384-9910

**Qlightec**

Innovation in Alarm & Signal

Product Operation Inquiry / Customer Support +82-51-620-4100

You can expect prompt service if you have exact information such as model name, symptom, telephone number and address.

※ ALL PRODUCT, PRODUCT SPECIFICATIONS AND DATA ARE SUBJECT TO CHANGE WITHOUT NOTICE TO IMPROVE RELIABILITY, FUNCTION OR DESIGN OR OTHERWISE.

Head office : Suite #1510, STX-V Tower, 128 Gasan digital 1-ro, Geumcheon-gu, Seoul, Korea (Postal Code : 08507)

Factory : 185-25, Mukbang-Ro, Sangdong-Myeon, Gimhae-Si, Gyeongsangnam-Do, Korea (Postal Code : 50805)

www.qlight.com

EN - Q125L - 2108A